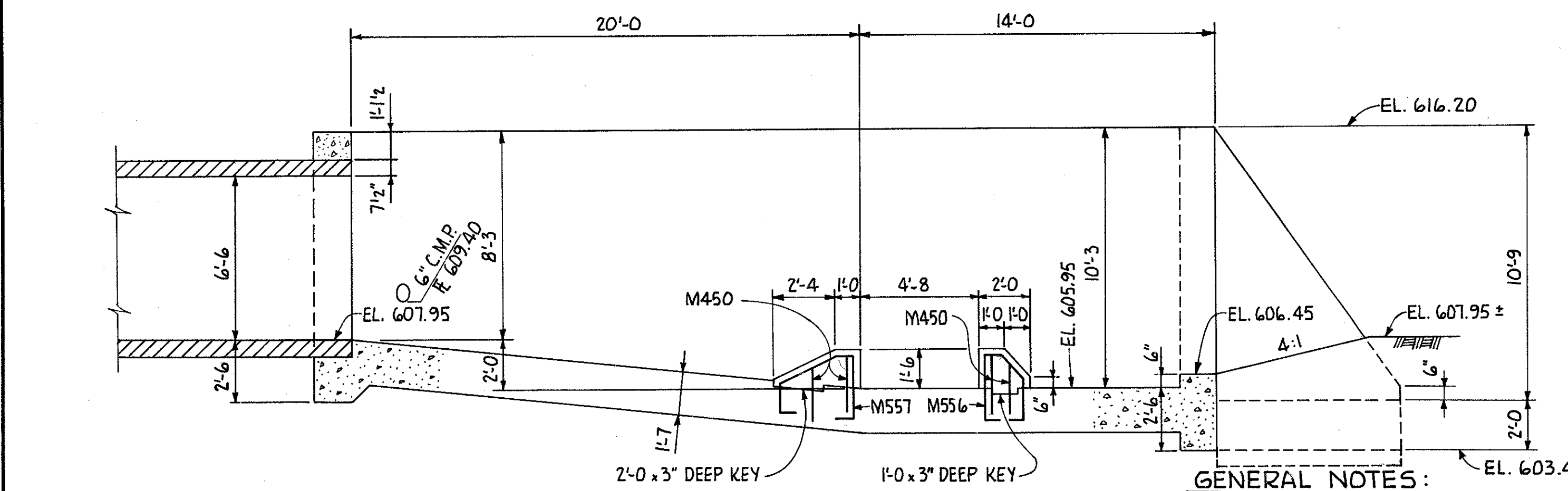
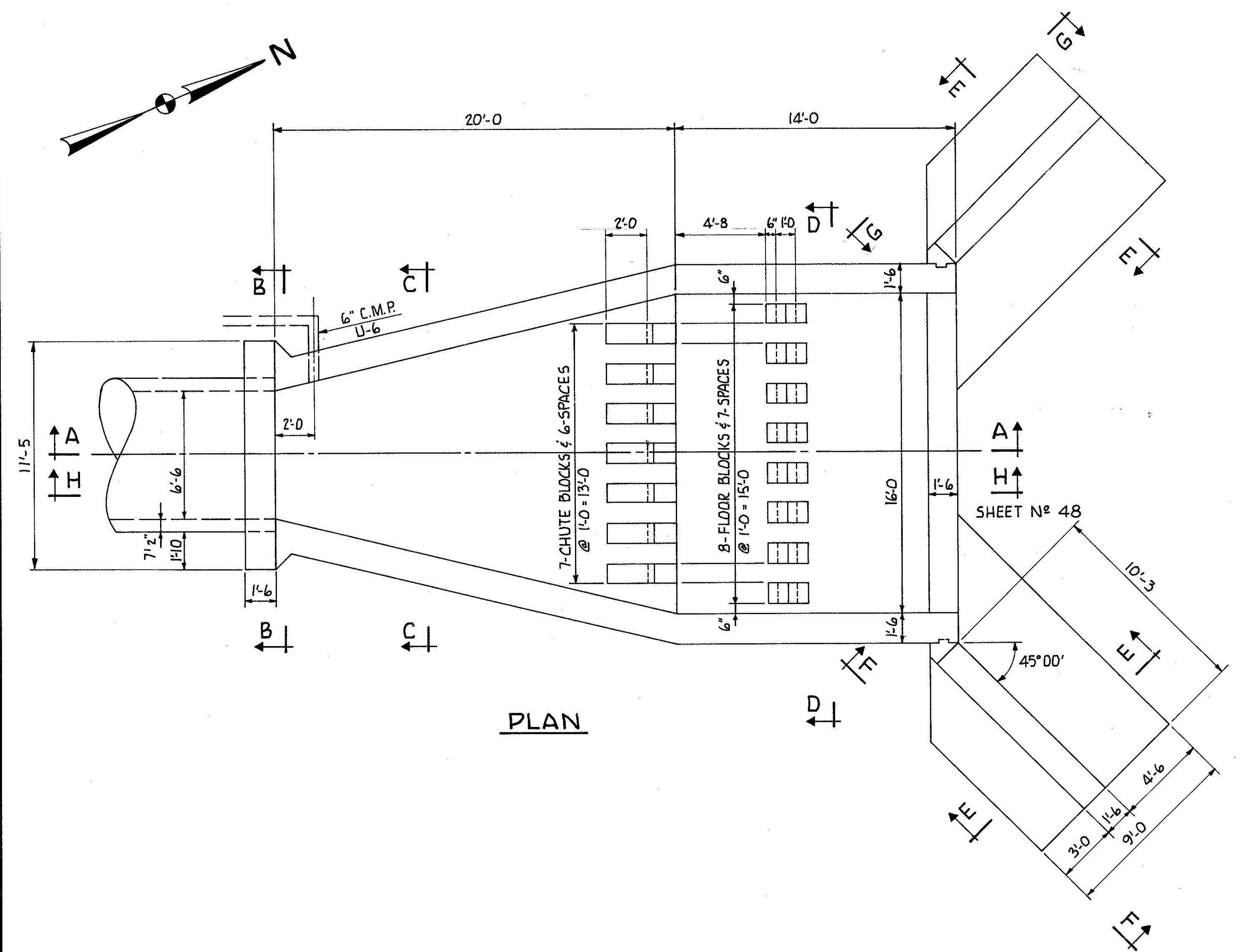
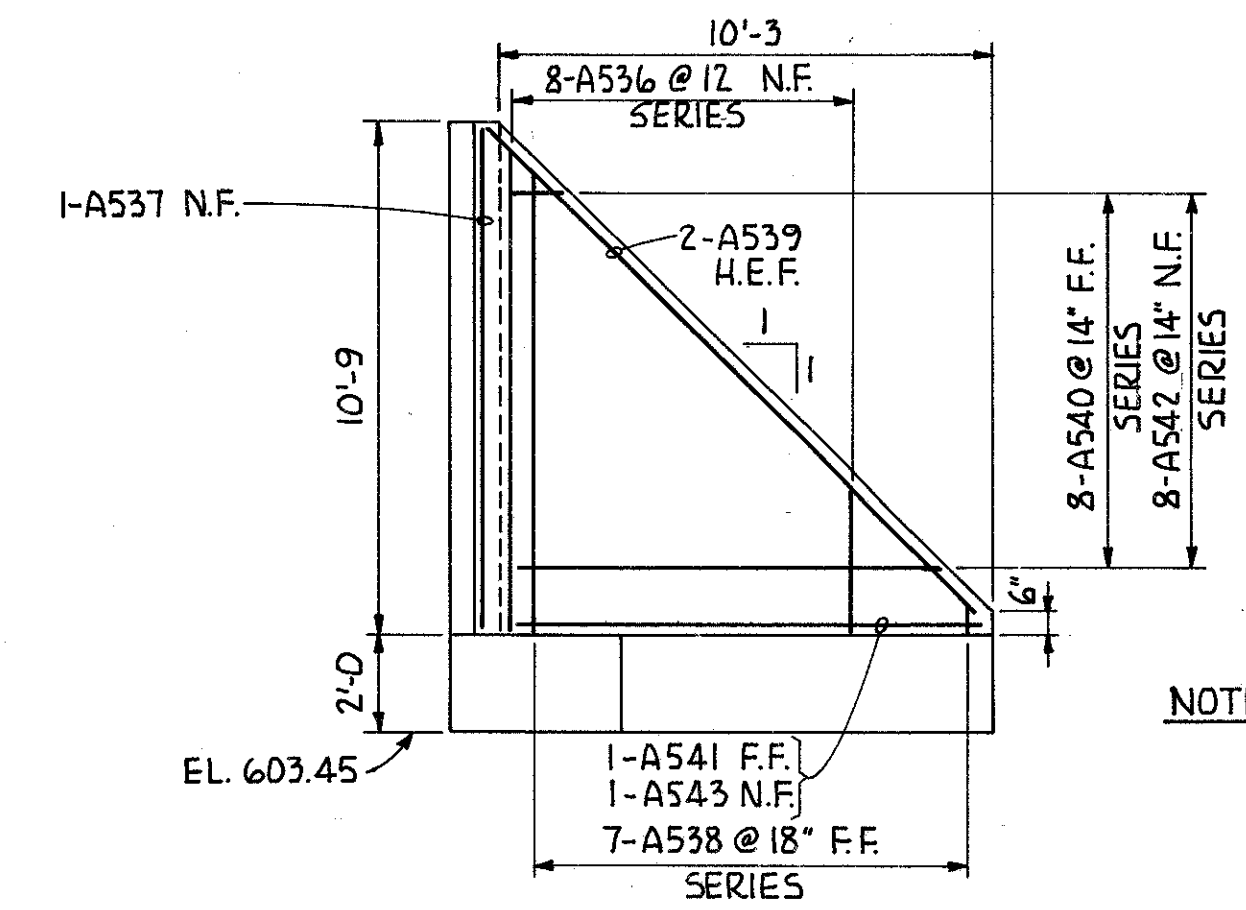
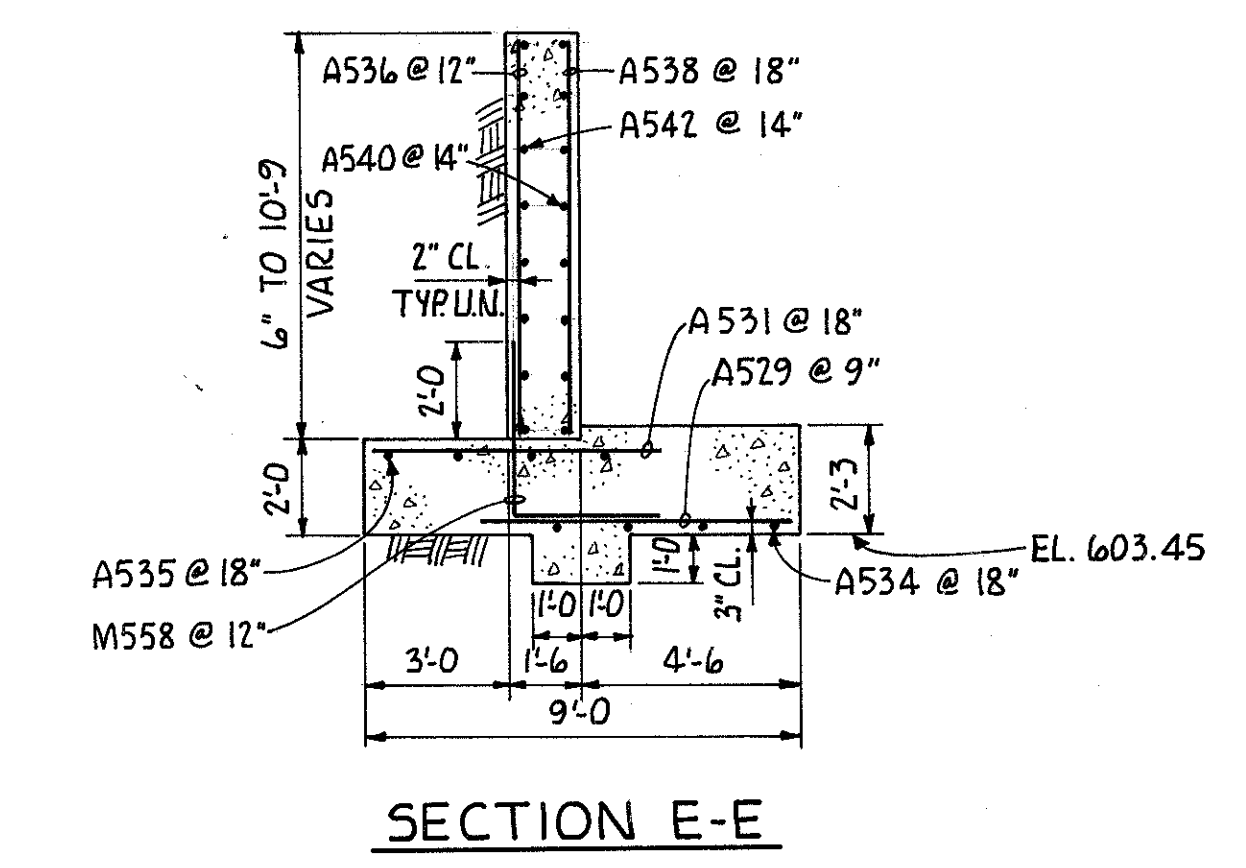
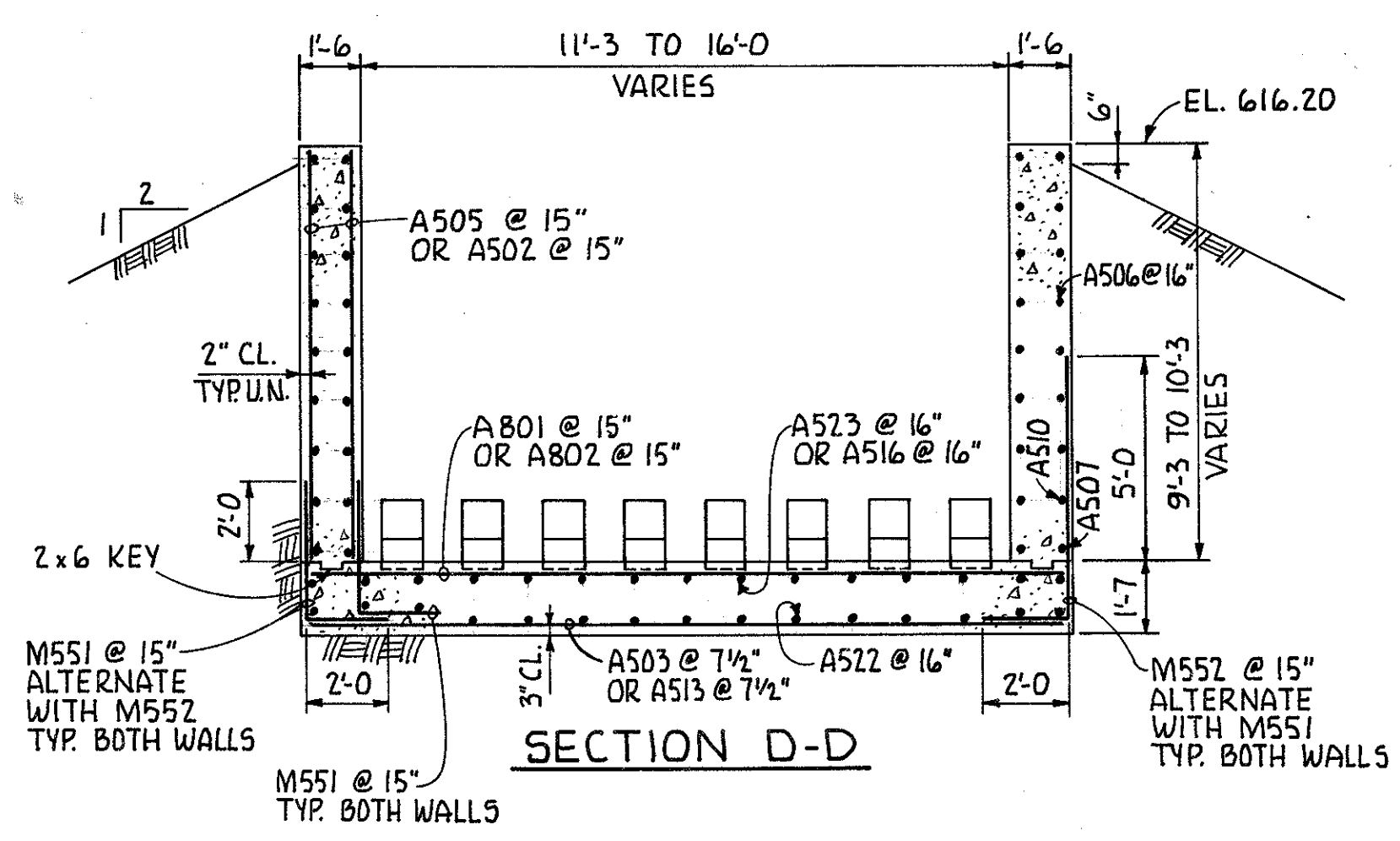
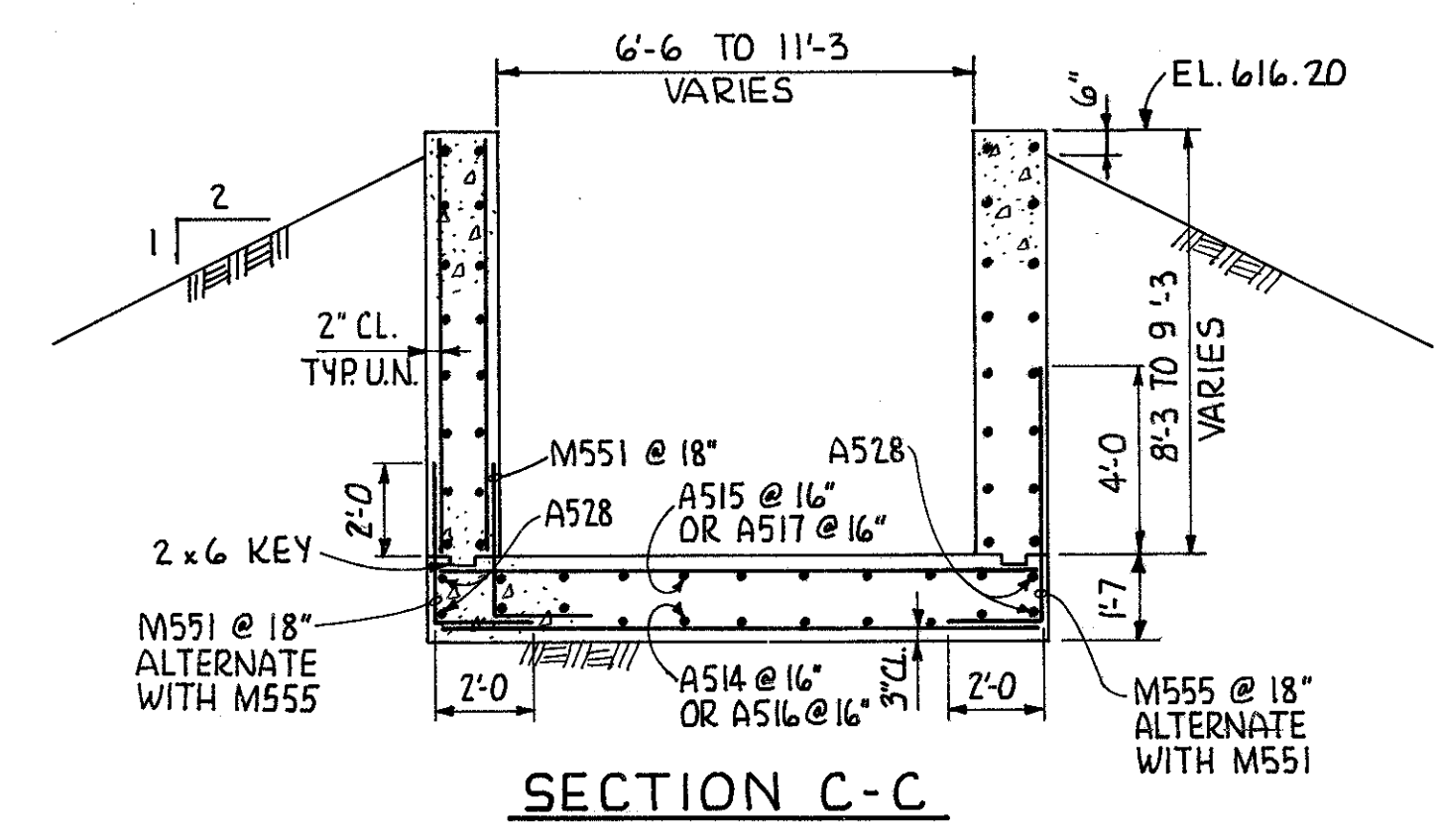
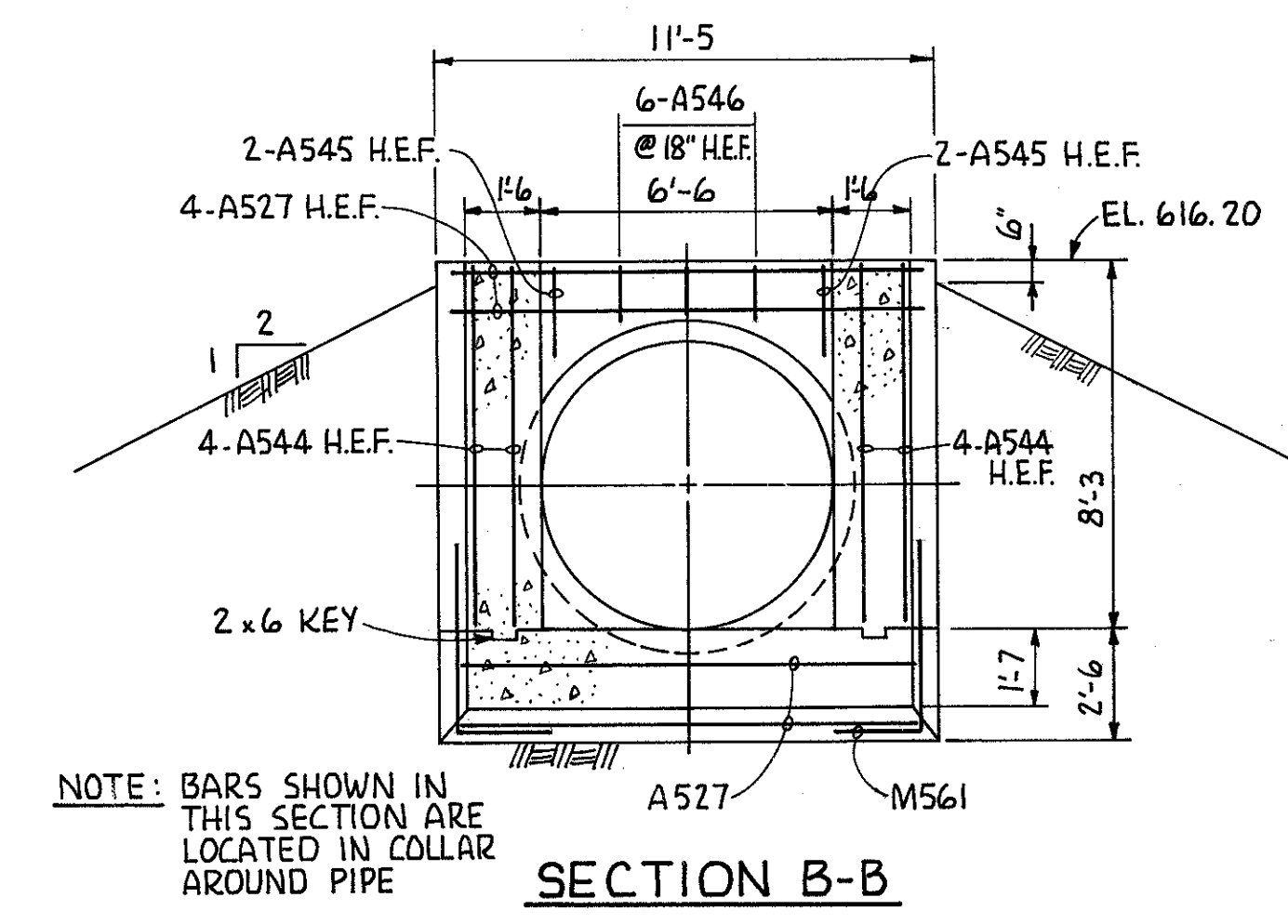


CUYAHOGA COUNTY
CUY-176-11.05



- GENERAL NOTES:**
- DESIGN UNIT STRESSES:
CONCRETE: CLASS "C" $f_c = 1333 \text{ psi}$
REINF. STEEL: ASTM A15, A16, A160 DEFORMED, INTERMEDIATE OR HAND GRADE $f_s = 20000 \text{ psi}$
 - ALL EXPOSED CONCRETE EDGES TO HAVE 1" CHAMFER.
 - FOR BAR PLACING DRAWING & BAR SCHEDULE SEE SHEET N^o 48
 - ABBREVIATIONS ON PLACING DRAWING -
H.E.F. - HALF EACH FACE N.F. - NEAR FACE
T. - TOP F.F. - FAR FACE
B. - BOTTOM H.T.B. - HALF TOP & BOTTOM



ESTIMATED QUANTITIES				
ITEM	DESCRIPTION	UNIT	QUANTITY	QUANTITIES CALC. BY A.R.G. JULY 1969
511	CLASS C CONCRETE	C.Y.	98.8	CHECKED BY J.W.P. JULY 1969
509	REINFORCING STEEL	POUNDS	8048	
503	UNCLASSIFIED EXCAVATION	C.Y.	250	
601	ROCK CHANNEL PROT. TYPE B	C.Y.	16.2	

QUANTITIES ROUNDED OFF AND CARRIED TO GENERAL SUMMARY.
WORK THIS SHEET WITH SHEET N^o 48

TRYGVE HOFF & ASSOCIATES
ENGINEERS
1922 EAST 107TH STREET CLEVELAND, OHIO 44106

STILLING BASIN
PLAN & SECTIONS

SCALE 1/4" = 1'-0"	DATE
DESIGNED	DRAWN
TRACED	CHECKED
REVIEWED	DATE
PARMA	ARG
PARMA	T.L.L.
	12/09/69

CONT. N^o 65026 SHEET ACCT. N^o 6236