

BEGIN PROJECT STA. 420+00 S.L.M. 7.61 NH-271-6(85)

BEGIN E-M EMERGENCY VEHICLE CROSSING STA. 426+80 SEE DETAIL SHT 284.

CALC. BY: JJB
DATE: 5/93
CHKD. BY: TJM
DATE: 7/93

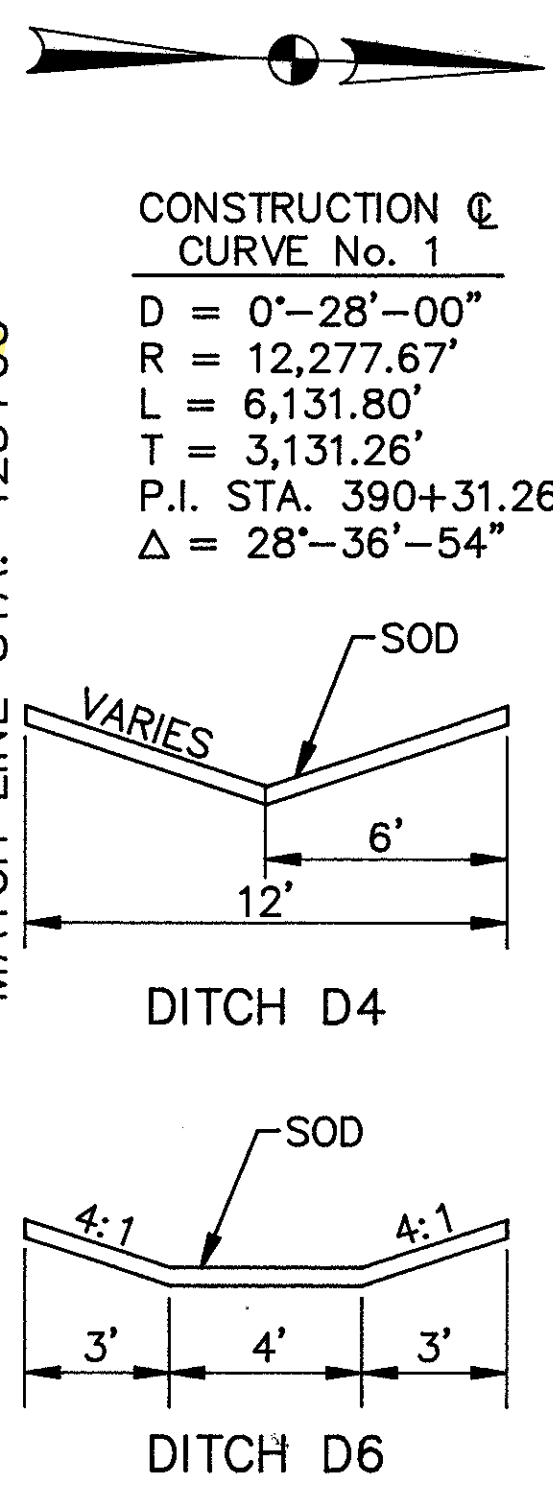
CUY-271-7.61

OHIO 77
FHWA REGION 5 568

FOR MONUMENTATION SEE SHEET 275.
FOR ROADWAY QUANTITIES SEE SHEETS 63-65.

ESTIMATED QUANTITIES

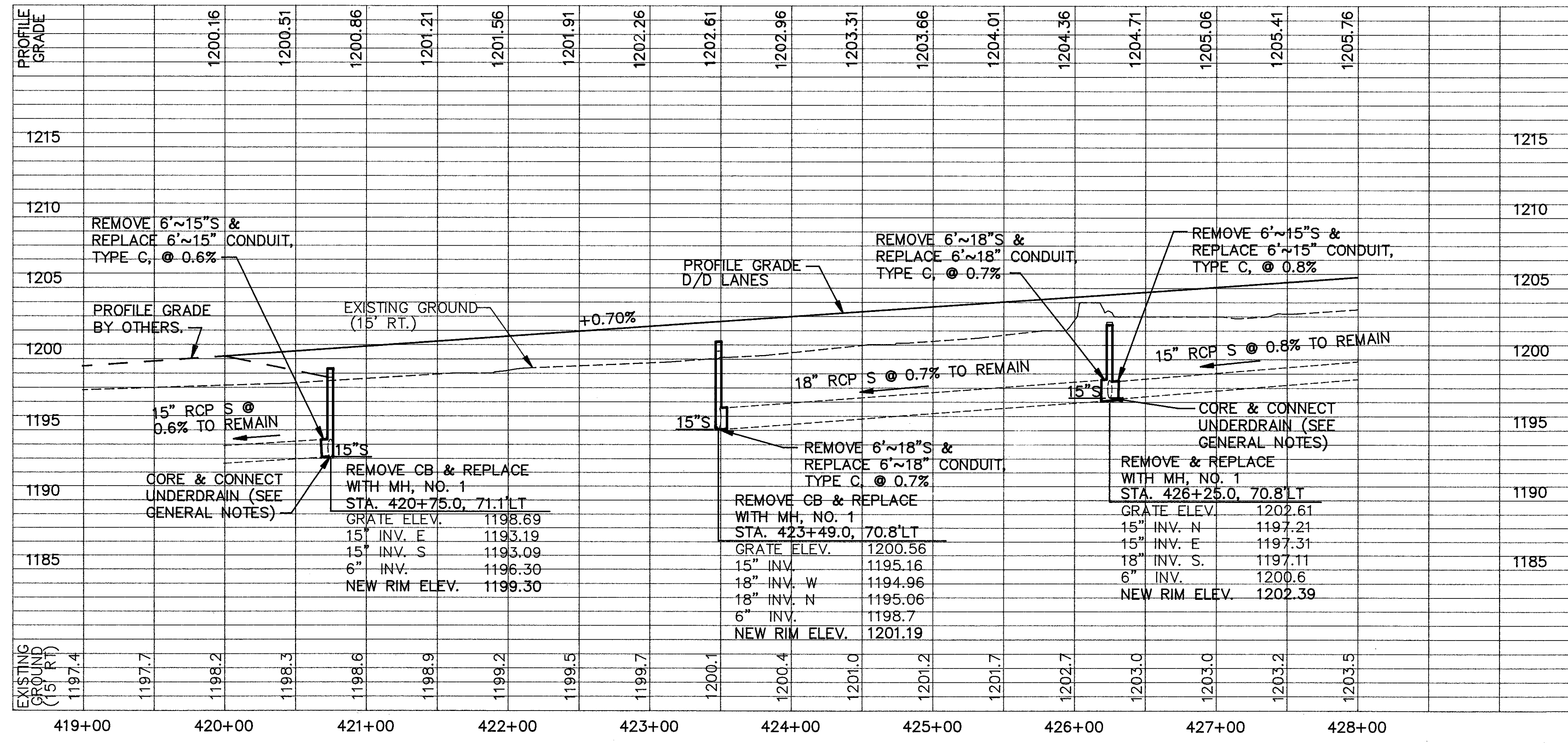
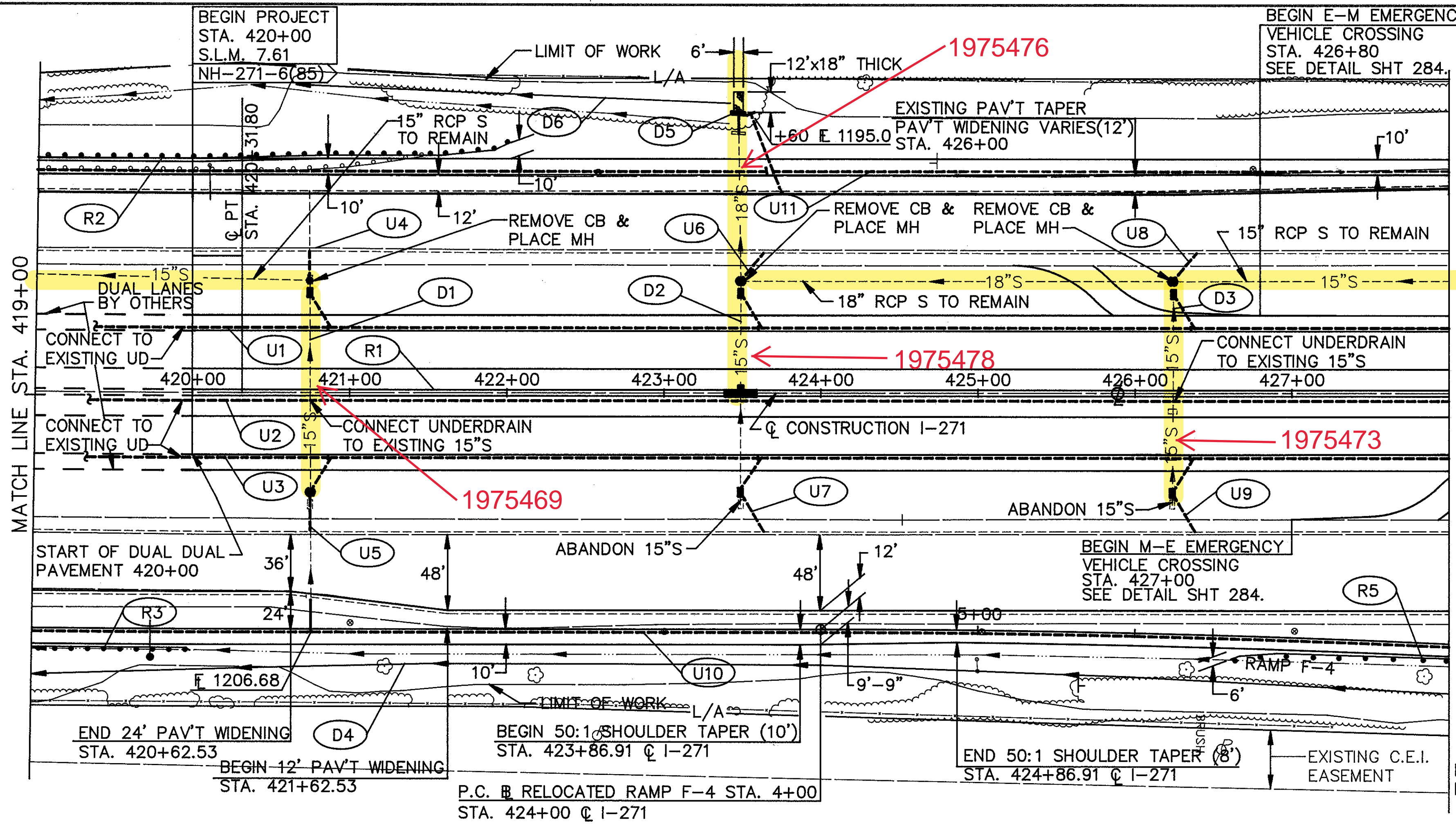
REF.	FROM	TO	SIDE	ESTIMATED QUANTITIES											
				202	601	602	603		604		660				
LOCATION				STRUCTURE REMOVED	CATCH BASIN REMOVED	CATCH BASIN ABANDONED	ROCK CHANNEL PROTECTION TYPE C, WITH FILTER	CONCRETE MASONRY	15" CONDUIT, TYPE B, 706.02	15" CONDUIT, TYPE C, 706.02	18" CONDUIT, TYPE C, 706.02	MANHOLE, NO. 1	CATCH BASIN, NO. 4 WITH E. GRATE	INLET, NO. 3B50, A.P.P.	SODDING
DUAL-DUAL QUANTITIES															
D1	420+75.0		L&R	1						29		1	2		200
D2	423+49.0		L&R	1	1				14	22	13	1	2	1	200
D3	426+25.0		L&R	1	1				8	28	6	1	2		200
MAINLINE QUANTITIES															
D4	419+00	423+00	R												533
D5	423+59	423+59	L	L.S.				4	0.31		23				
D6	420+75	423+59	L												306
TOTALS				L.S.	3	2	4	0.31	22	79	42	3	6	1	1439



NOTE: SEE SHEETS 259-261 FOR RAMP F-4 PLAN SHEETS.

MATCH LINE STA. 419+00

MATCH LINE STA. 428+00



REF.	FROM	TO	SIDE	ESTIMATED QUANTITIES					
				603	605	SPCL	6" FITTINGS		
LOCATION				6" CONDUIT, TYPE F	6" SHALLOW PIPE UNDERDRAIN WITH FABRIC WRAP	6" SHALLOW PIPE UNDERDRAIN WITH FABRIC WRAP, A.P.P.	PRECAST REINFORCED CONCRETE OUTLET	TEE	BEND
DUAL-DUAL QUANTITIES									
U1	420+17	428+00	L	81		777			3
U2	420+17	428+00	R	30		777		2	1
U3	420+17	428+00	R	81		777			3
U4	420+75		L	18				1	
U5	420+75		R	27				1	
U6	423+49	423+59.1	L	21					1
U7	423+49	423+63.6	R	30					1
U8	426+25	426+35.1	L	21					1
U9	426+24	426+38.6	R	30					1
MAINLINE QUANTITIES									
U10	419+00	428+00	R	23	898			1	1
U11	419+00	428+00	L	68	900		1	1	1
TOTALS				430	1798	2331	1		