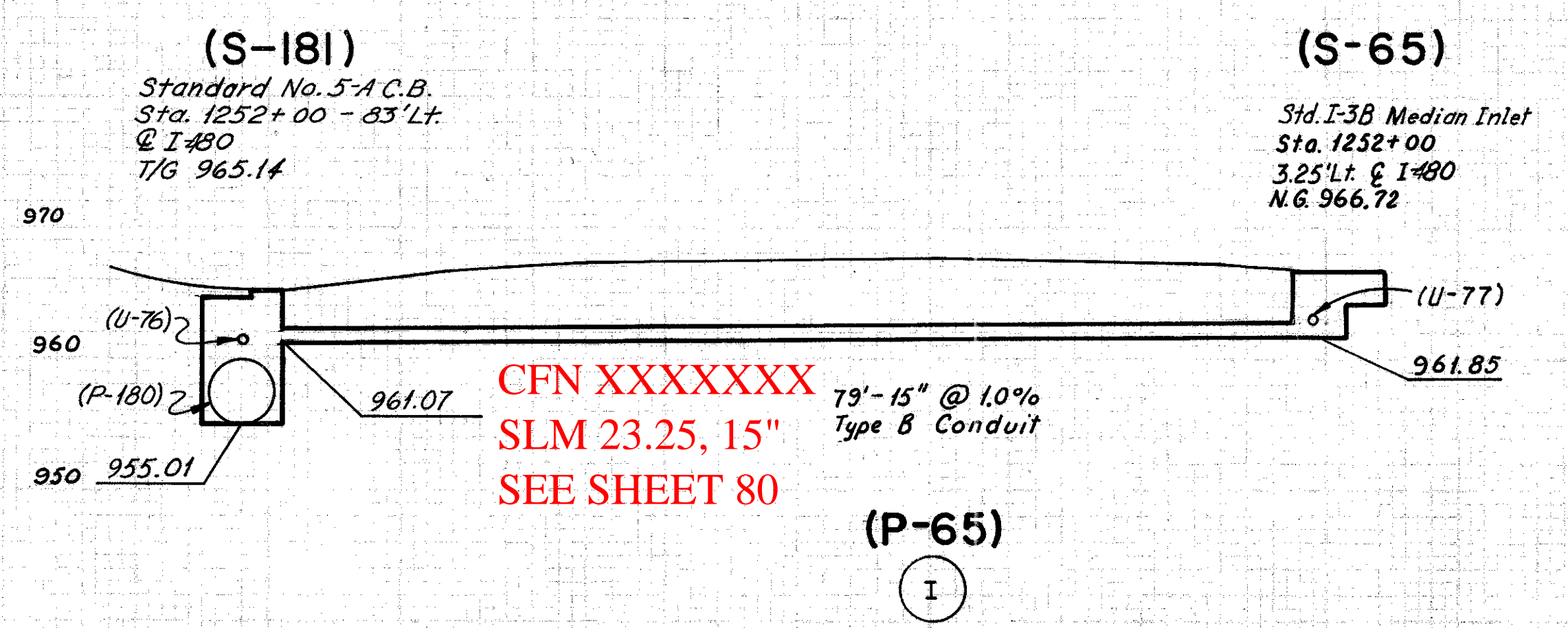
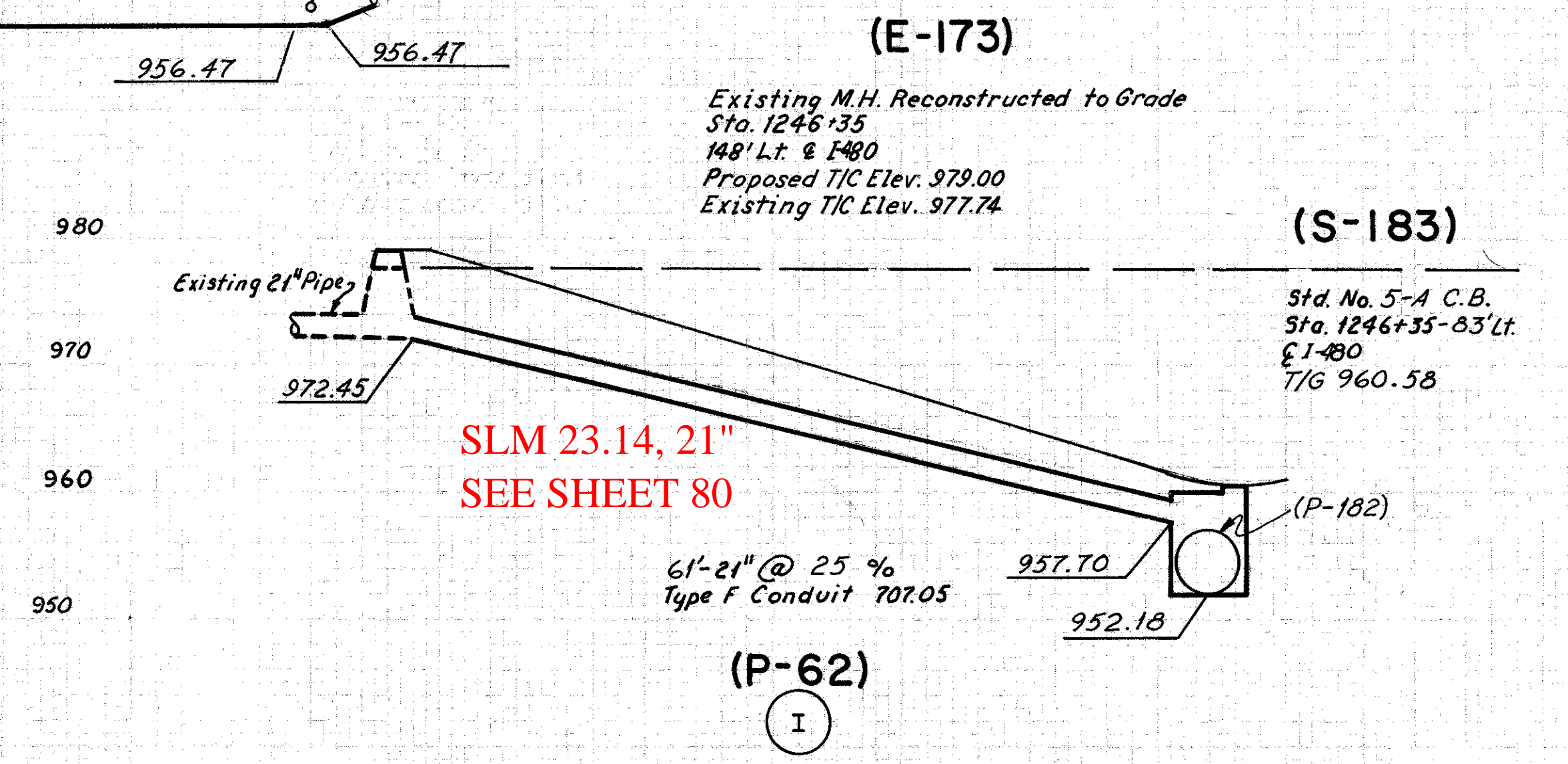
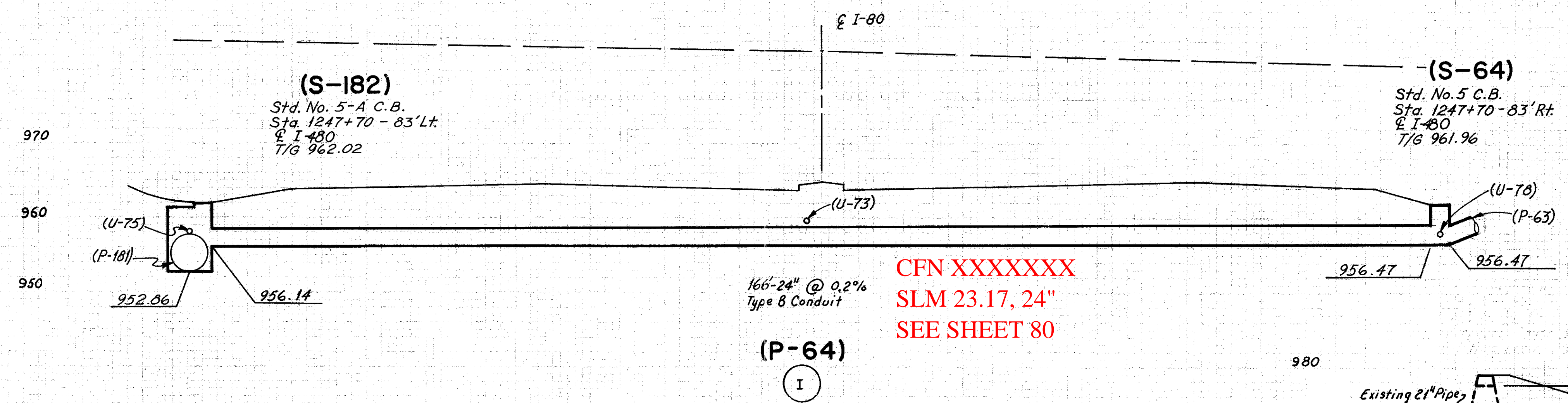
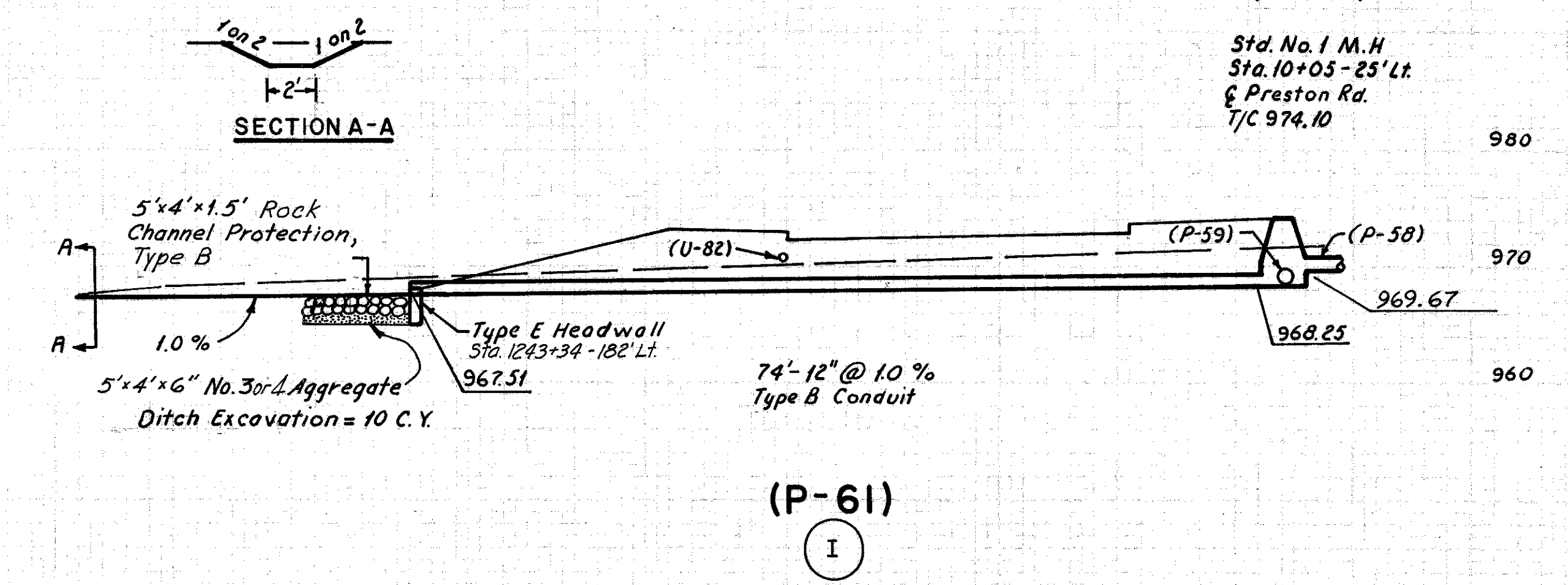
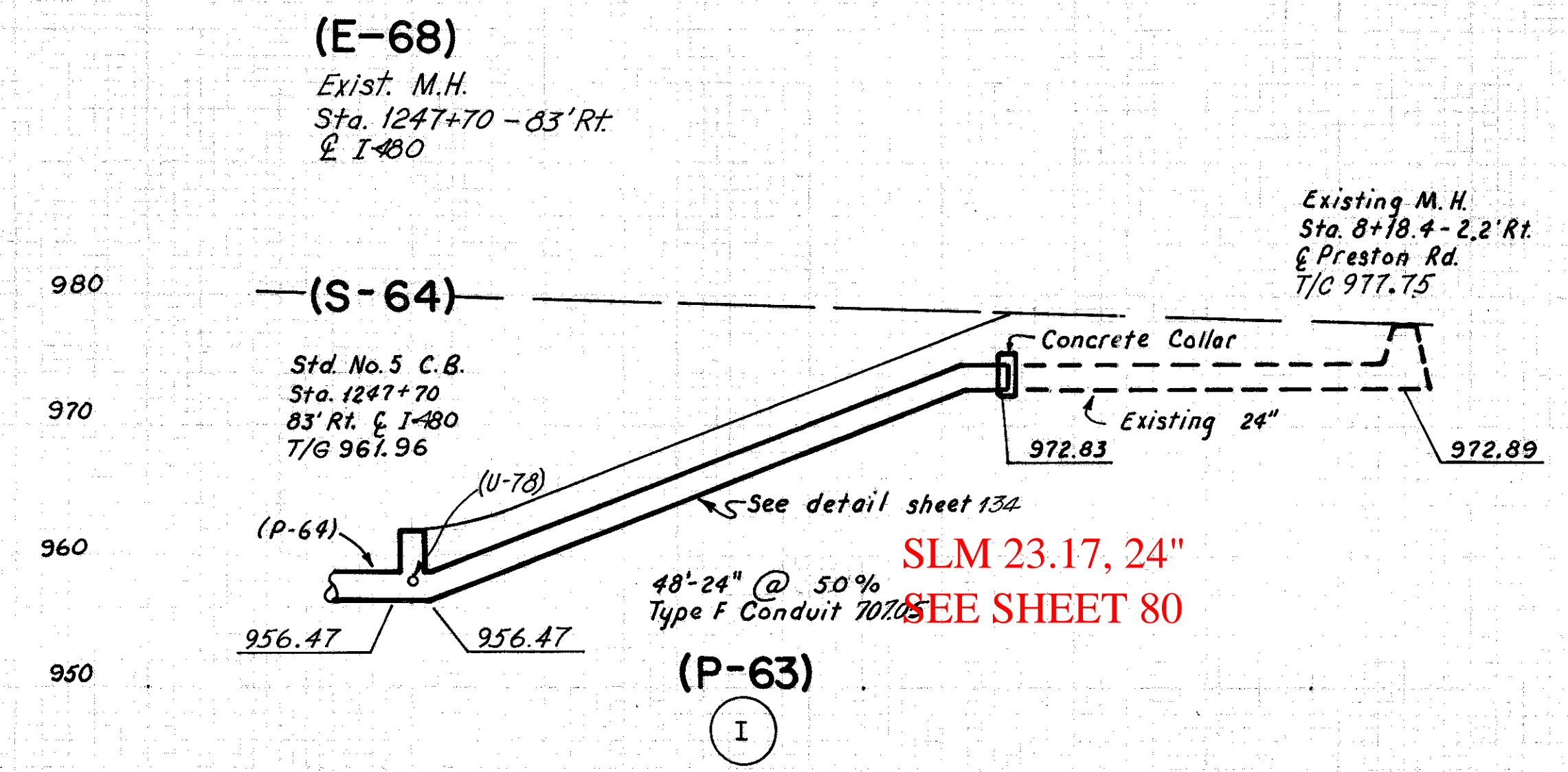


| | | | |
|-------------------|-------|---------|--|
| FED. RD. DIVISION | STATE | PROJECT | |
| 2 | OHIO | | |

97
407

CUYAHOGA COUNTY
CUY-480-22.16



HOWARD, NEEDLES, TAMMEN & BERGENDOFF
CONSULTING ENGINEERS
KANSAS CITY CLEVELAND NEW YORK

Scale: 1" = 10' Hor. & Vert.

NOV 3 1970