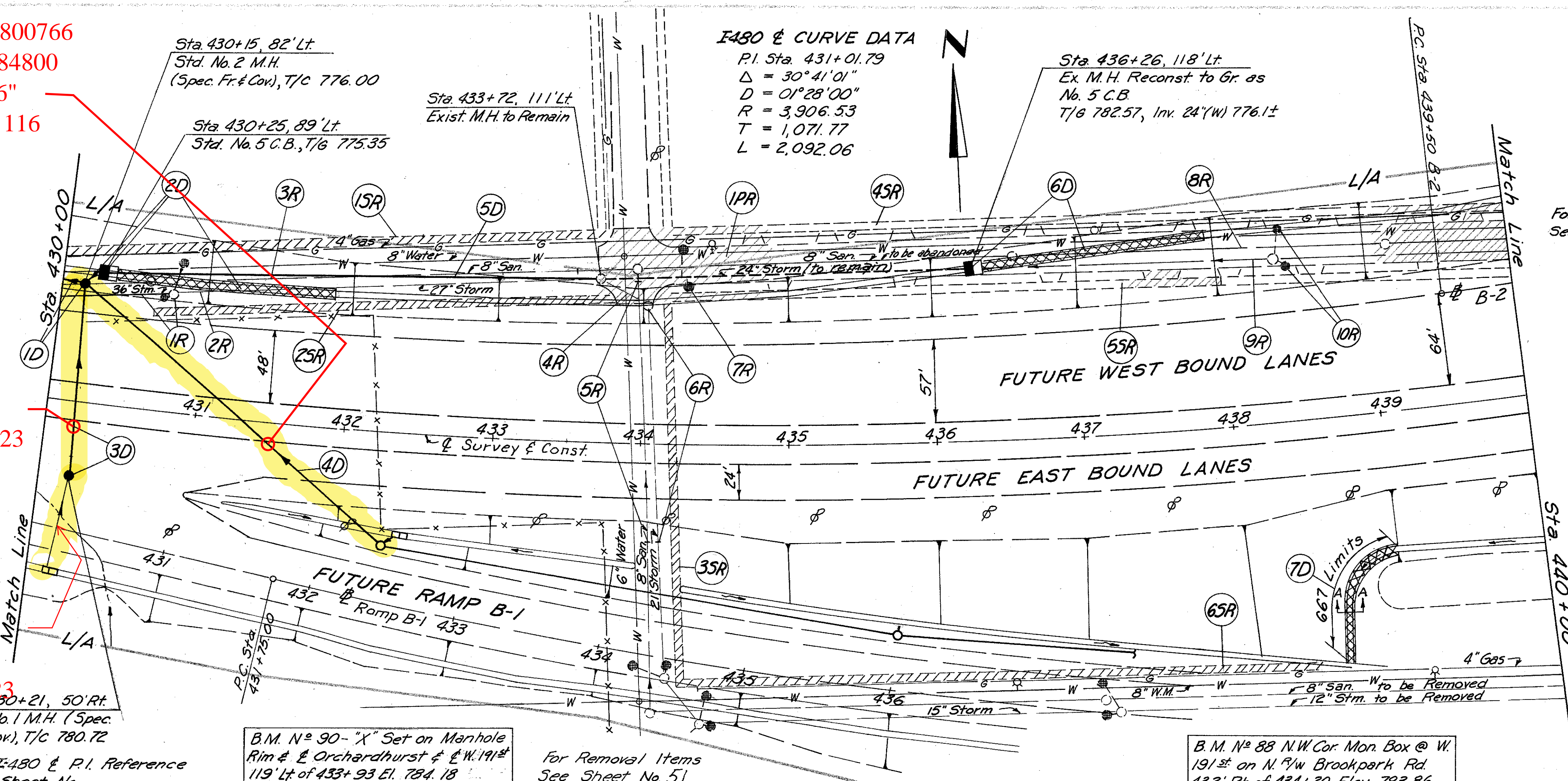


old CFN 184800766
 new CFN 1884800
 SLM 7.67, 66"
 SEE SHEET 116

CFN 1973398
 SLM 7.67, 18"
 SEE SHEET 123

CFN 1973399
 SLM 7.67, 15"
 SEE SHEET 123

EASO & CURVE DATA
 P.I. Sta. 431+01.79
 $\Delta = 30^{\circ}41'01''$
 $D = 01^{\circ}28'00''$
 $R = 3,906.53$
 $T = 1,071.77$
 $L = 2,092.06$



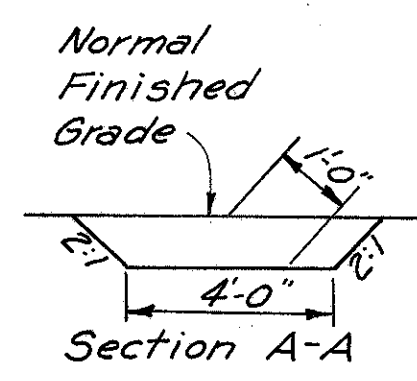
SEE 1978 CUY-480-6.78
 Sheets 29 and 74

For Removal Items
 See Sheet No. 48

ROADWAY	Estimated Quantities	Ref. Side	Location	Quantity
202	Existing Sidewalk Removed & Disposed of	S.F.		1876
	Existing Pavement Removed & Disposed of	S.Y.		1285
				1946
				2175
				1840
		TOTALS		1840

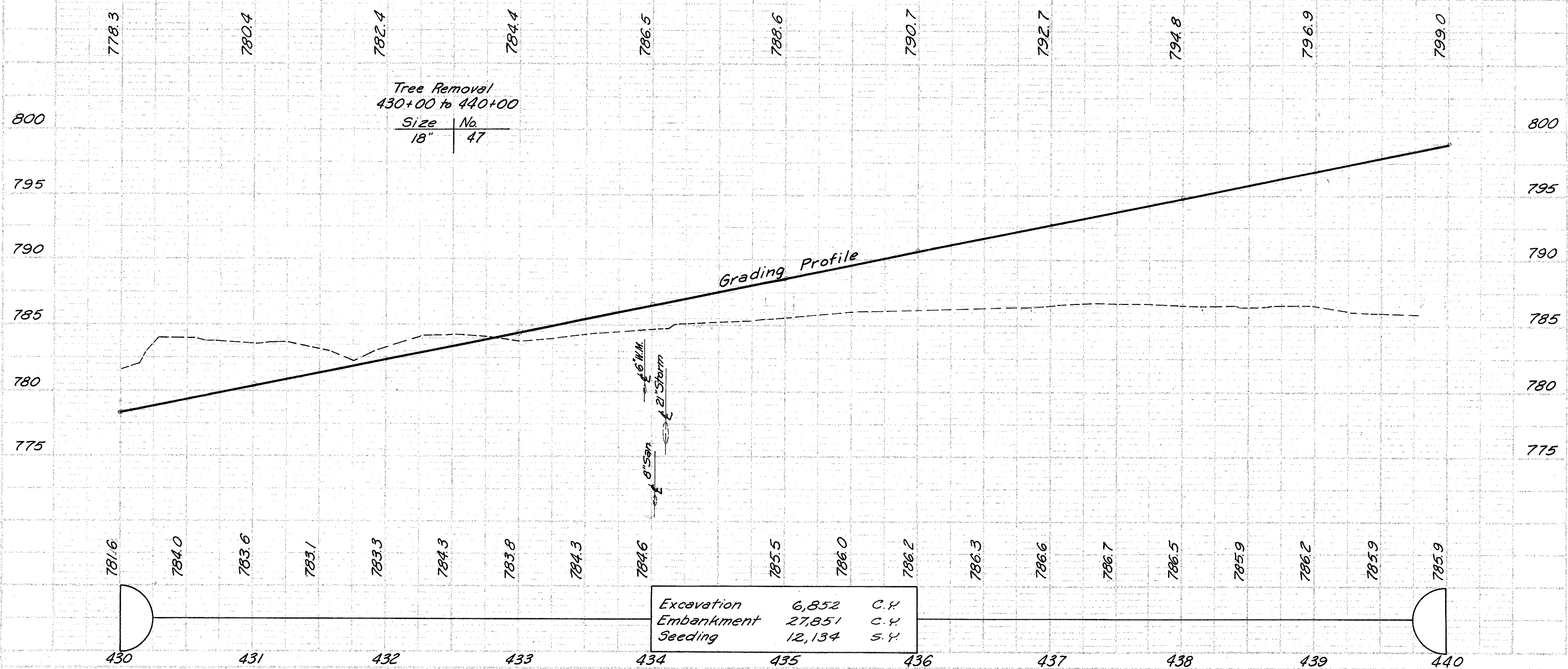
CROSS REFERENCE

Sht. No.	Item
116	Storm Sewer Profile
183	Water Line Work
156	Sanitary Sewer



B.M. N° 90- "X" Set on Manhole
 Rim # & Orchardhurst & N.W. 191st
 119' Lt. of 433+93 El. 784.18

B.M. N° 88 N.W. Cor. Man. Box @ W.
 191st on N.W. Brookpark Rd.
 432' Rt. of 434+20 Elev. 783.86



Excavation	6,852	C.Y.
Embankment	27,851	C.Y.
Seeding	12,134	S.Y.

DRAINAGE	Estimated Quantities	Ref. Side	Location	Quantity
202	Seeding and Jute Matting	S.Y.		125
				75
				325
	No. 5 C.B.	Ea.		1
	No. 2 M.H.	Ea.		1
	Spec. Fr. & Cov.	Ea.		1
	No. 1 M.H.	Ea.		1
	Spec. Fr. & Cov.	Ea.		1
	Type "C" 706.02 Cl. II	L.F.		15*
	Type "B" 706.02 Cl. II	L.F.		265*
603	Type "B"	L.F.		14
		L.F.		131
		L.F.		347
202	Catch Basins Removed	Ea.		1
	Manholes Removed	Ea.		1
	Pipe Removed over 24"	L.F.		77
	Pipe Removed 24" & Under	L.F.		289
		L.F.		347
202				30
				176
				159
				340
				110
				200
				30
	TOTAL			1192,566

* 10 and 40 - 77.6 % Interstate, 22.4 % Urban

W.A.M. 9-17-71
 H.H.H. 9-20-71