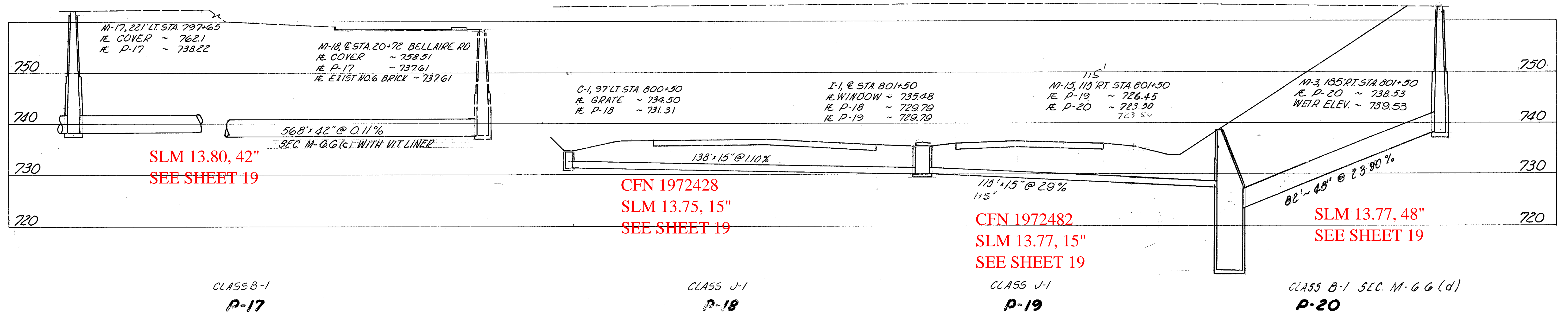


CUYAHOGA COUNTY
CUY-71-13.68

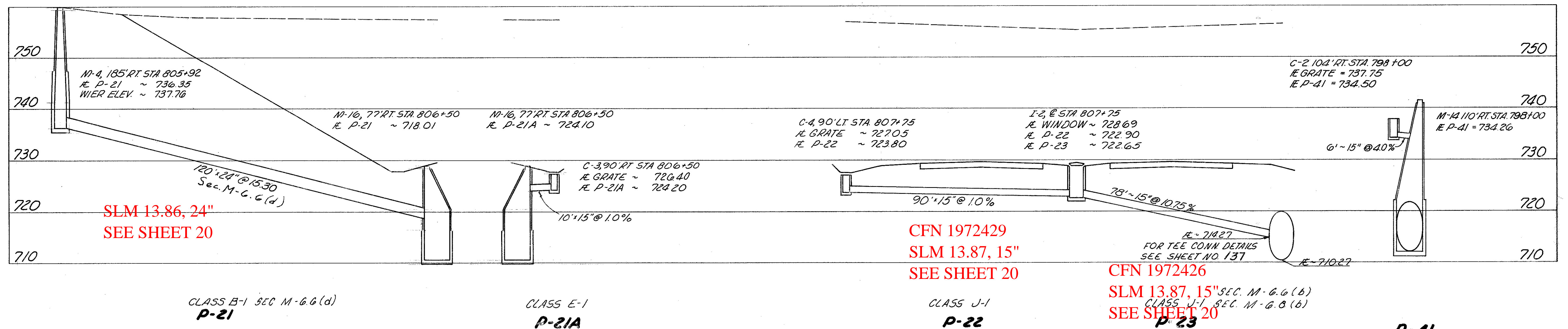


SLM 13.80, 42"
SEE SHEET 19

CFN 1972428
SLM 13.75, 15"
SEE SHEET 19

CFN 1972482
SLM 13.77, 15"
SEE SHEET 19

SLM 13.77, 48"
SEE SHEET 19



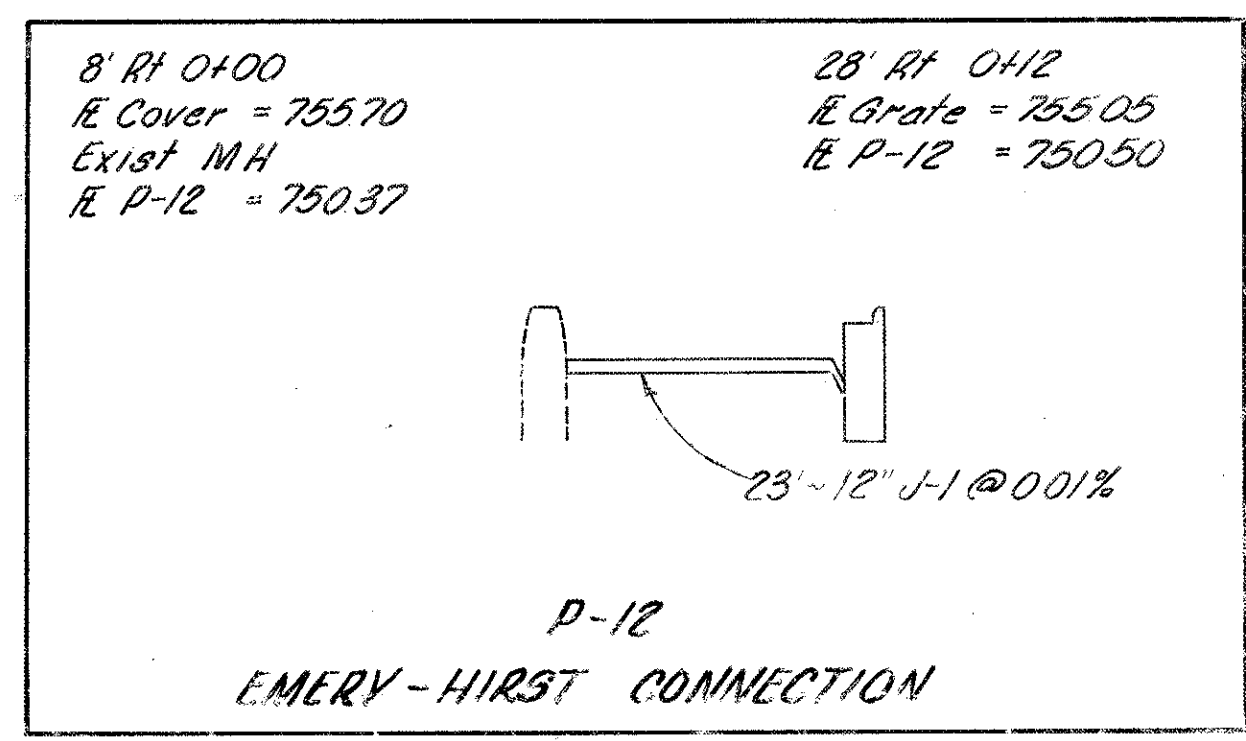
SLM 13.86, 24"
SEE SHEET 20

CFN 1972429
SLM 13.87, 15"
SEE SHEET 20

CFN 1972426
SLM 13.87, 15"
SEE SHEET 20

* CODE YOGO † SEC. M-G.G.(b) or G.B.(b)

PIPE REFERENCE	STRUCTURES INCLUDED	ESTIMATED QUANTITIES											SEE SHEET NO.		
		CLASS J-1		CLASS B-1		STANDARD NO. 5 CATCH BASIN	SPECIAL INLET NO. 2-G	I-8		SPECIAL NO. 4 CATCH BASIN	L-120	JUTE MATTING			
		12" LIN. FT.	15" LIN. FT.	24" LIN. FT.	48" LIN. FT.			15" LIN. FT.	STANDARD NO. 1 MANHOLE					ADJUSTED TO GRADE	
P-17	M-17, M-18			568*						1*	1*				
P-18	C-1	138				1						125			
P-19	I-1	115					1								
P-20				120	82										
P-21	C-3					1						125			
P-21A	C-4	90				1						125			
P-22	I-2		78				1								
P-23	C-2				6	1						125			
P-41		23									1				
TOTALS		23	343	78	568*	120	82	16	4	1	1	1*	1*	1	500



CHECKED BY: _____
 INCHES BY: _____
 PLOTTED BY: _____
 DESCRIPTION: _____
 DATE: _____
 SCALE: _____
 DRAWN BY: _____
 DATE: _____
 CHECKED BY: _____
 DATE: _____