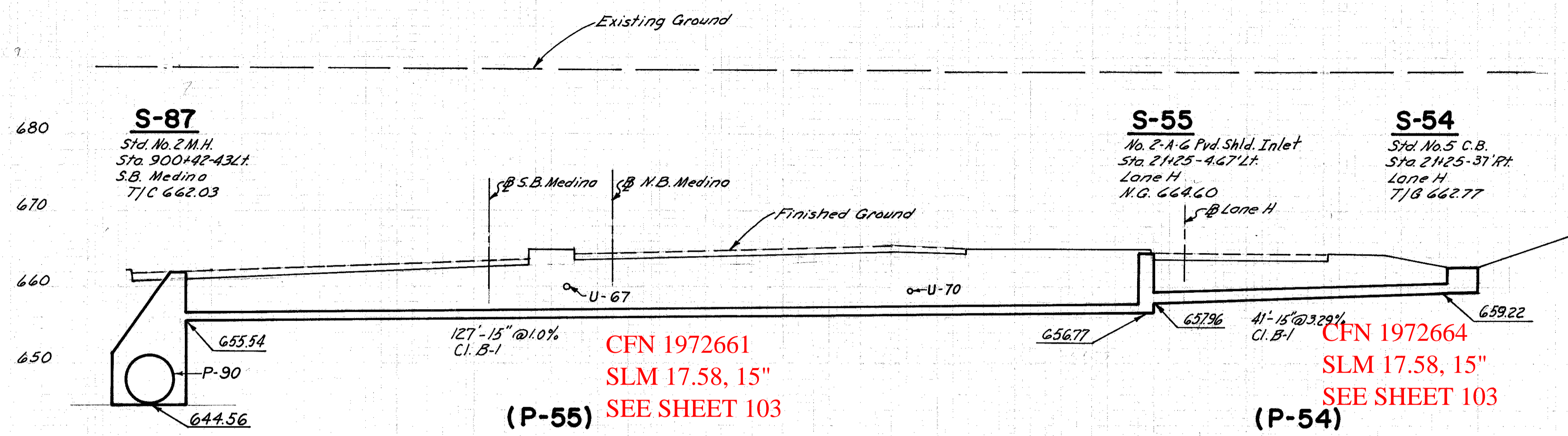


FED. RD. DIVISION	STATE	PROJECT
2	OHIO	

116
241

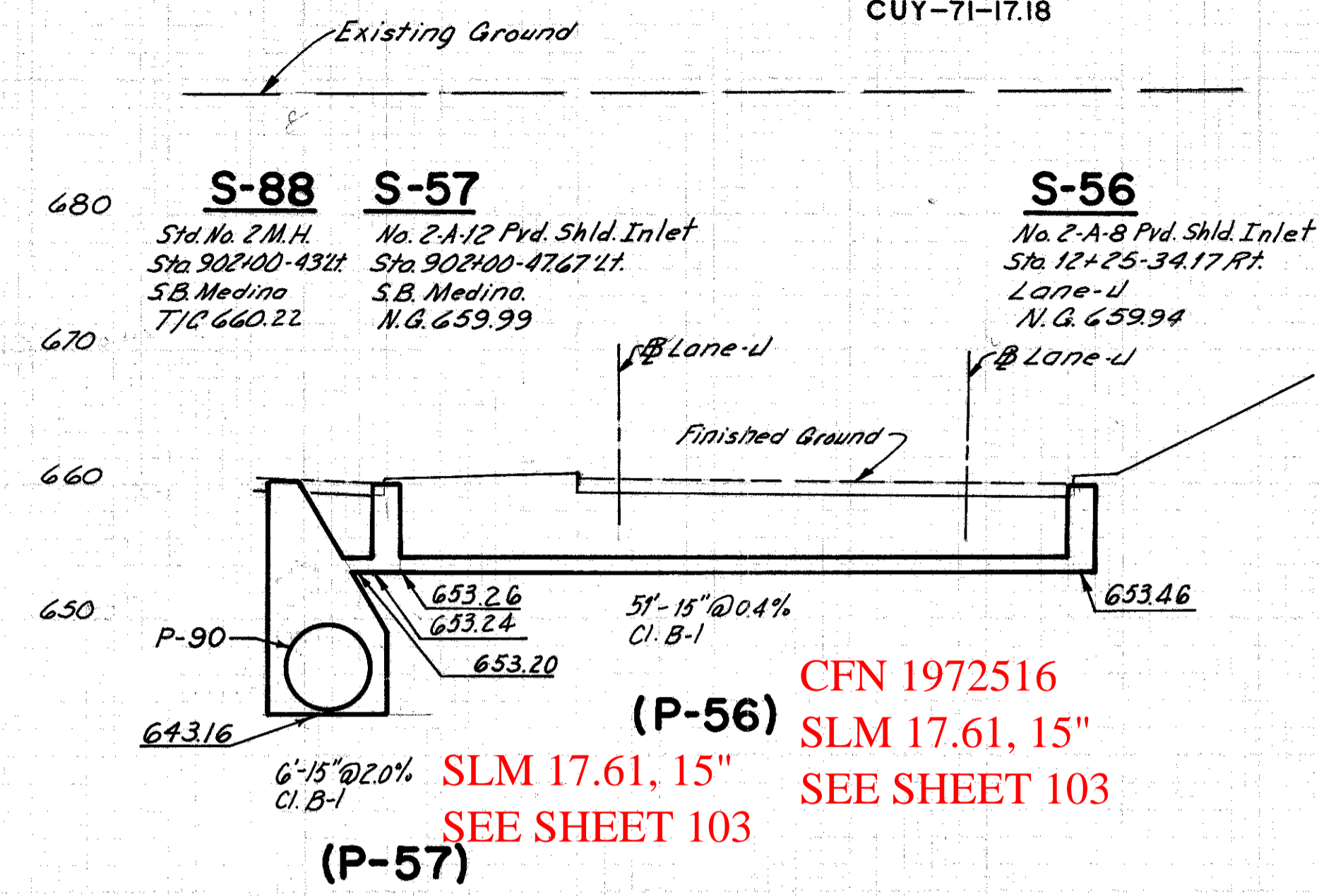
CUYAHOGA COUNTY
CUY-71-17.18

80
28



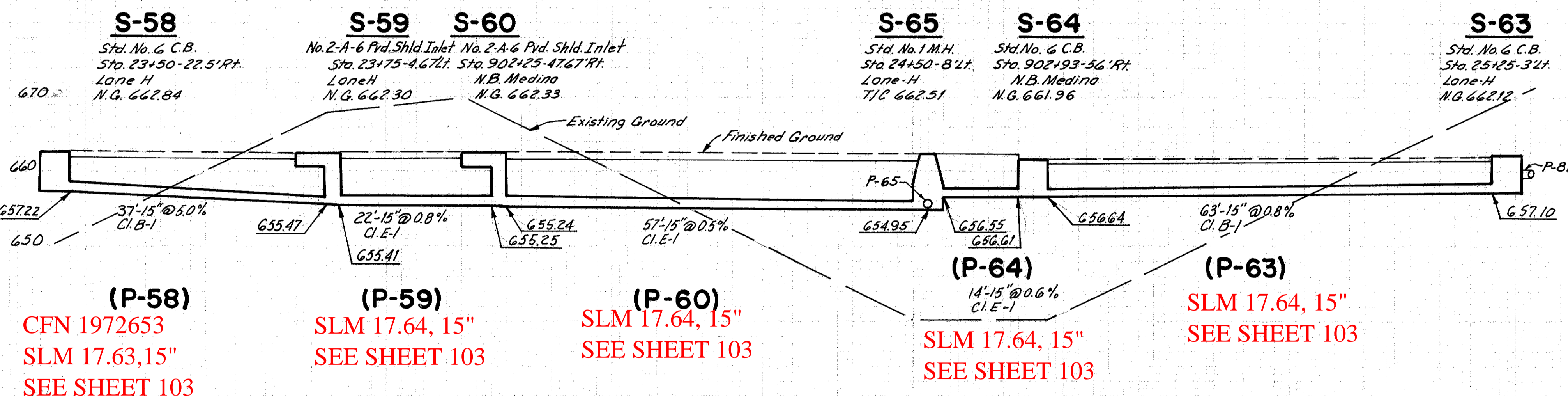
(P-55) CFN 1972661
SLM 17.58, 15"
SEE SHEET 103

(P-54) CFN 1972664
SLM 17.58, 15"
SEE SHEET 103



(P-56) CFN 1972516
SLM 17.61, 15"
SEE SHEET 103

(P-57) SLM 17.61, 15"
SEE SHEET 103



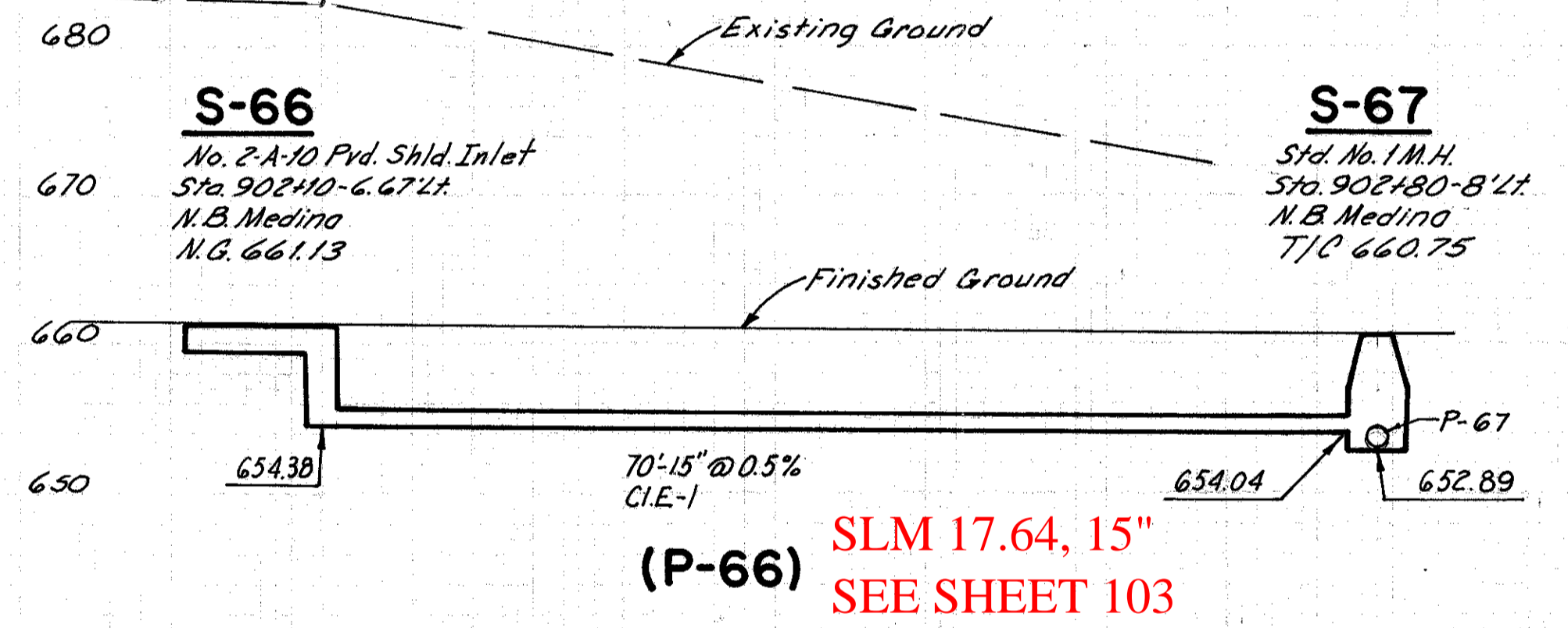
(P-58) CFN 1972653
SLM 17.63, 15"
SEE SHEET 103

(P-59) SLM 17.64, 15"
SEE SHEET 103

(P-60) SLM 17.64, 15"
SEE SHEET 103

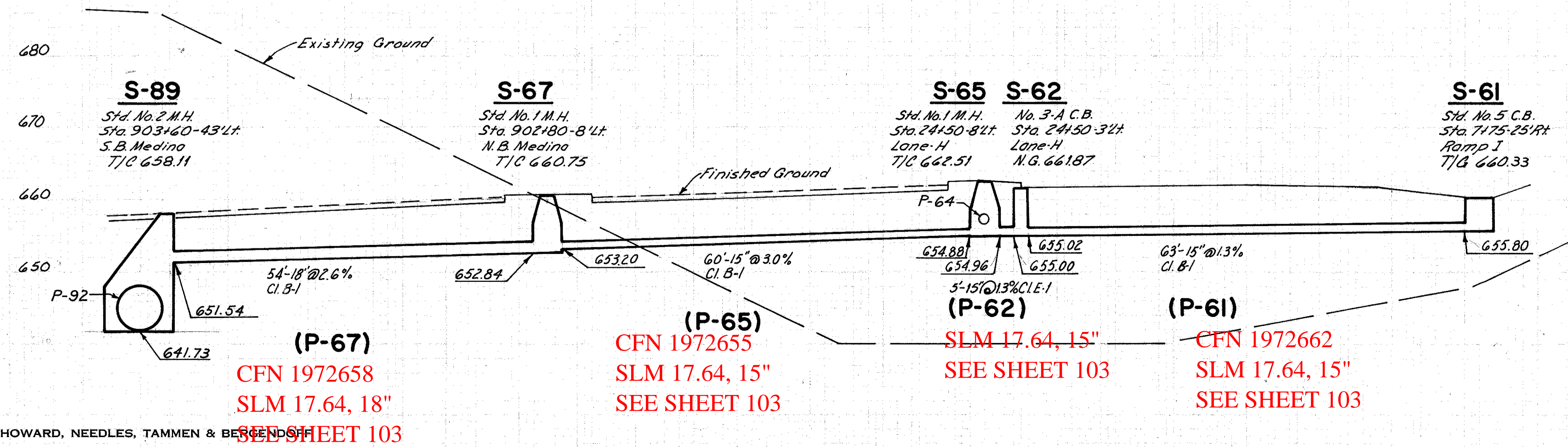
(P-64) SLM 17.64, 15"
SEE SHEET 103

(P-63) SLM 17.64, 15"
SEE SHEET 103



(P-66) SLM 17.64, 15"
SEE SHEET 103

RBW/1-28-65 ROW 2-9-65

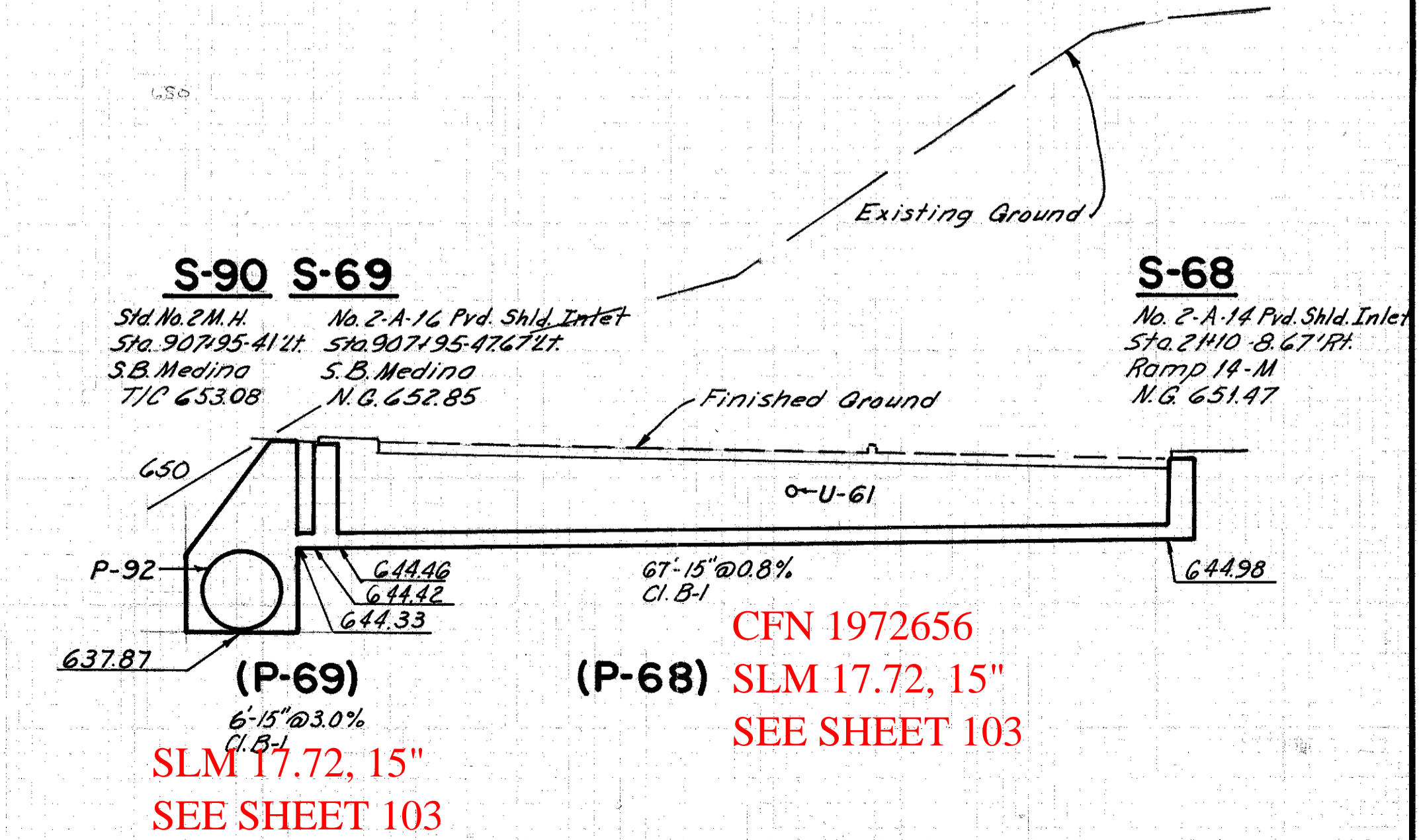


(P-67) CFN 1972658
SLM 17.64, 18"
SEE SHEET 103

(P-65) CFN 1972655
SLM 17.64, 15"
SEE SHEET 103

(P-62) SLM 17.64, 15"
SEE SHEET 103

(P-61) CFN 1972662
SLM 17.64, 15"
SEE SHEET 103



(P-69) SLM 17.72, 15"
SEE SHEET 103

(P-68) CFN 1972656
SLM 17.72, 15"
SEE SHEET 103