

CFN 1972678
SLM 18.18, 15"
SEE SHEET 288

SLM 18.18, 18"
SEE SHEET 288

old CFN 1807118
new CFN 1875633
SLM 18.12, 48"
SEE SHEET 286

old CFN 1807118
new CFN 1875633
SLM 18.18, 48"
SEE SHEET 286

SLM 18.22, 24"
SEE SHEET 288

CFN 1972675
SLM 18.22, 24"
SEE SHEET 288

CFN 1972676
SLM 18.22, 24"
SEE SHEET 288

SLM 18.27, 12"
SEE SHEET 289

CFN 1972682
SLM 18.27, 15"
SEE SHEET 289

SLM 18.27, 15"
SEE SHEET 289

SLM 18.18, 12"
SEE SHEET 288

old CFN 180711825
new CFN 1875635
SLM 18.22, 42"
SEE SHEET 290

DRAINAGE LEGEND

- PROPOSED STORM SEWER MANHOLE
- PROPOSED SANITARY MANHOLE
- PROPOSED PAVED SHOULDER INLET
- PROPOSED DITCH CATCH BASIN
- PROPOSED PAVEMENT CATCH BASIN
- PROPOSED STORM OR SANITARY SEWER
- EXISTING MANHOLE
- EXISTING CATCH BASIN
- EXISTING STORM OR SANITARY SEWER
- JUTE MATTING
- SODDED DITCH

FED. RD. DIVISION: 2, STATE: OHIO, PROJECT: 265, 646

CUYAHOGA COUNTY
CUY - 71-1783, new CFN 1844630, 15, 54
CUY - 176-12.76, SLM 18.27, 42", SEE SHEET 290

old CFN 180711830
new CFN 1844631, SLM 18.31, 42", SEE SHEET 290

old CFN 180711834
new CFN 1844631, SLM 18.31, 42", SEE SHEET 290

DRAINAGE QUANTITIES

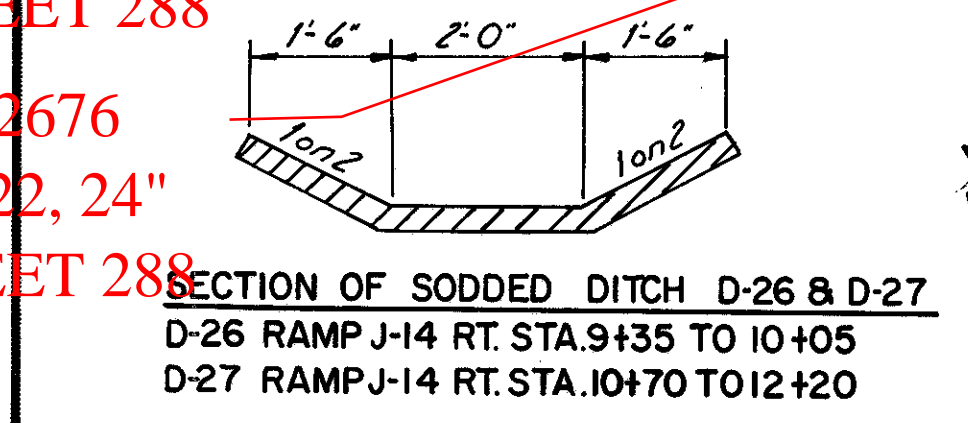
CODE	LOCATION	EXISTINGS		STRUCTURES		Lin. Ft.	Each	Sq. Yds.
		Remained	Aband.	Remained	Aband.			
E-79	S.B. Medina Lt. Rt. 939+95	1				240		
E-80	S.B. Medina Lt. 935+30	1						
E-81	S.B. Medina Lt. 935+27	1						
E-82	S.B. Medina Lt. 20+45	1						
E-83	S.B. Medina Lt. 20+70	1						
E-84	S.B. Medina Lt. 23+07	1						
E-85	S.B. Medina Lt. 23+10	1						
E-86	S.B. Medina Lt. 933+95	1						
E-87	S.B. Medina Lt. 933+95	1						
E-88	N.B. Medina Lt. 935+30	1						
E-89	N.B. Medina Lt. 937+35	1						
E-90	N.B. Medina Lt. 937+57	1						
E-91	N.B. Medina Lt. 939+92	1						
E-92	N.B. Jennings Rt. 72+60	1						
E-93	N.B. Jennings Rt. 74+05	1						
E-94	N.B. Medina Lt. 10+75	1						
E-95	N.B. Medina Lt. 10+95	1						
E-96	N.B. Medina Lt. 6+30	1						
E-97	N.B. Medina Rt. 7+65	1						
E-98	N.B. Medina Rt. 8+45	1						
E-99	Ramp N.B. Medina Lt. 5+30	1						
E-100	Ramp J-14 Rt. 9+35	1						
E-101	Ramp J-14 Rt. 11+50	1						
E-102	Ramp J-14 Rt. 12+20	1						
E-103	Reloc. W.14th St. Rt. 73+25	1						
E-104	Reloc. W.14th St. Rt. 72+95	1						
E-105	Ramp J-14 Rt. 11+75	1						
E-106	Ramp J-14 Rt. 2+95	1						
D-26	Ramp J-14					42		
D-27	Ramp J-14					87		
D-28	Ramp N.B. Medina Rt. 2+85					16		
	Total					240	11	129

CFN 1972677
SLM 18.31, 15"
SEE SHEET 291

CFN 1972674
SLM 18.31, 15"
SEE SHEET 291

DRAINAGE QUANTITIES

CODE	LOCATION	Lin. Ft.	UNDERDRAINS		Each
			Shallow	Deep	
U-82	Rel. W.14th St. Rt. 12+40 to 15+00	237			
U-83	Rel. W.14th St. Rt. 24+50 to 25+75	130			
U-84	Rel. W.14th St. Rt. 25+80 to 26+30	52			
U-85	Rel. W.14th St. Rt. 27+60 to 24+00	150			
U-86	Rel. W.14th St. Rt. 24+100 to 24+134	235			
U-87	N.B. Medina Lt. 57+24+50 to 24+16	164			
U-88	S.B. Medina Rt. 14+60 to 17+14	250			
U-89	S.B. Medina Rt. 17+14 to 22+10	9			
U-90	S.B. Medina Rt. 22+105 to 24+58	10			
U-91	S.B. Medina Lt. 930+00 to 932+50	5			
U-92	S.B. Medina Lt. 932+50 to 934+81	5			
U-93	S.B. Medina Lt. 934+81 to 939+25	5			
U-94	S.B. Medina Rt. 11+05 to 11+67	5			
U-95	S.B. Medina Lt. 939+30 to 940+00	9			
U-96	S.B. Medina Lt. 937+20 to 939+80	30			
U-97	N.B. Medina Lt. 935+25 to 939+90	225			
U-98	N.B. Jennings Rt. 74+50 to 74+80	4			
U-99	N.B. Jennings Rt. 74+55 to 74+80	10			
U-100	N.B. Jennings Lt. 74+80 to 75+40	4			
U-101	N.B. Jennings Lt. 78+00 to 79+85	10			
U-102	N.B. Jennings Rt. 74+80 to 75+40	4			
U-103	Ramp N.B. Medina Rt. 3+60 to 4+00	10			
U-104	Ramp N.B. Medina Rt. 4+00 to 5+80	10			
U-105	N.B. Medina Lt. 7+95 to 12+00	175			
U-106	N.B. Medina Rt. 10+75 to 12+00	205			
U-107	Ramp N.B. Medina Rt. 2+65 to 5+50	185			
U-108	Ramp N.B. Medina Rt. 5+50 to 6+75	125			
U-109	Ramp N.B. Medina Rt. 5+50	10			
U-110	Ramp J-14 Lt. 13+20 to 13+50	30			
U-111	Ramp J-14 Lt. 13+50 to 13+80	30			
U-112	Ramp J-14 Lt. 13+75 to 13+85	10			
	Total	119	2884	2656	15



DRAINAGE QUANTITIES

CODE	LOCATION	I-8	
		Std. No 1	M.H.
SS-7	Brainard Ave 1+10	Each	1

SCALE 1"=50'

HOWARD, NEEDLES, TAMMEN & BERGENDOFF
CONSULTING ENGINEERS
KANSAS CITY CLEVELAND NEW YORK

MADE DD5 DATE 10-12-64
TRCD. EDL DATE 10-15-64
CKD. RJT DATE 10-19-64

