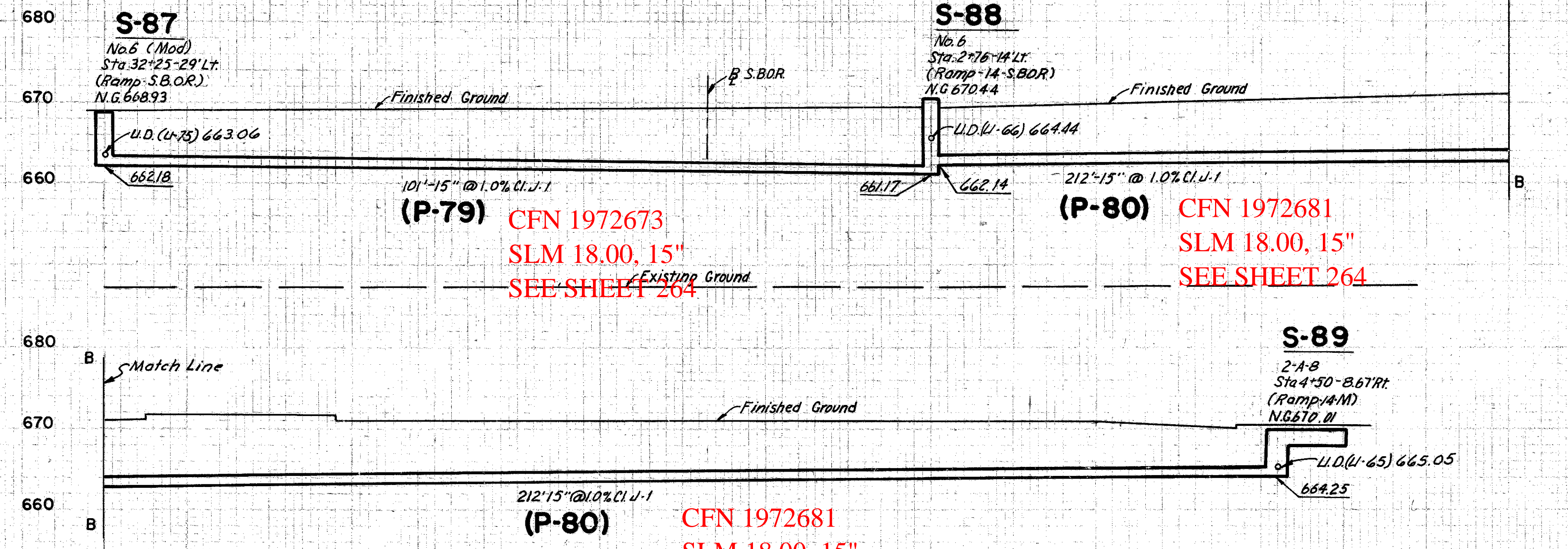
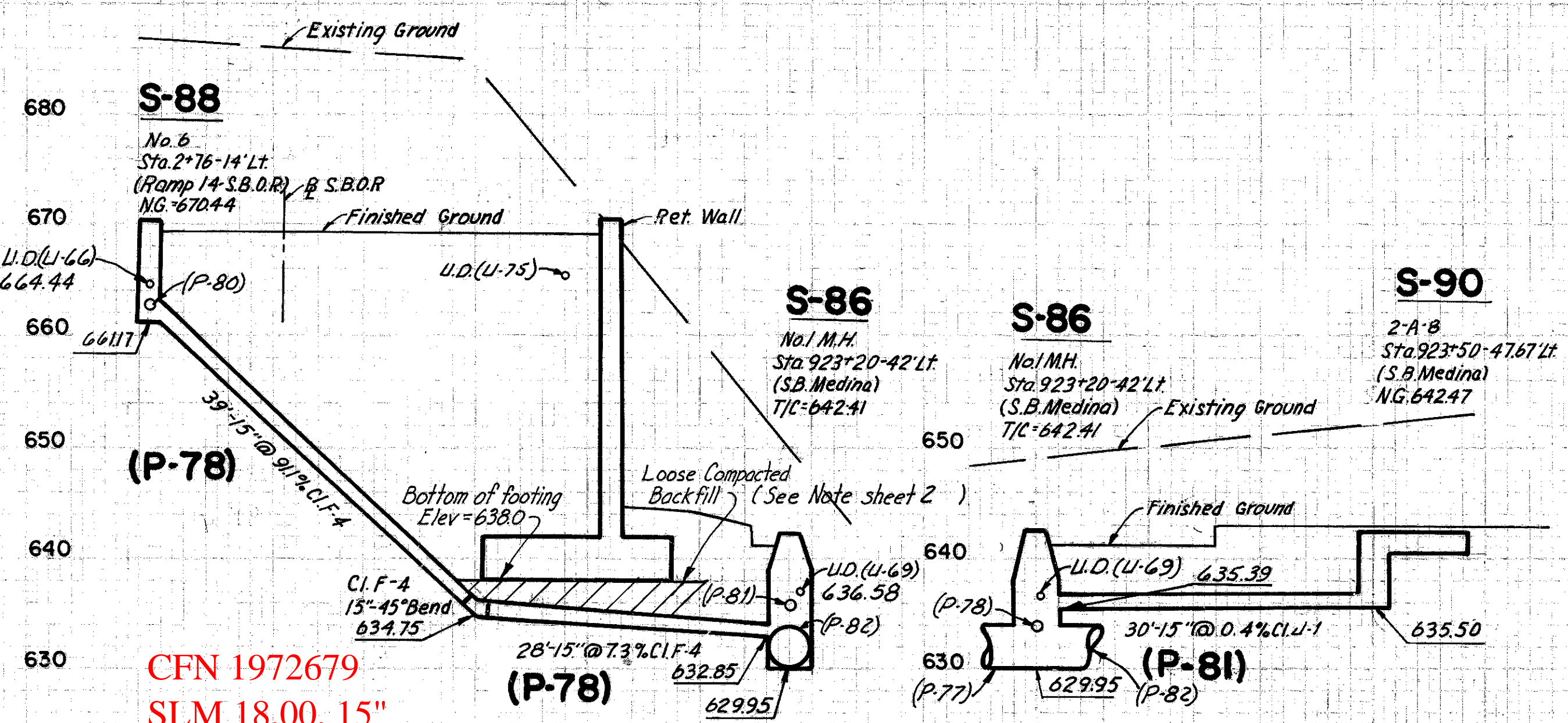
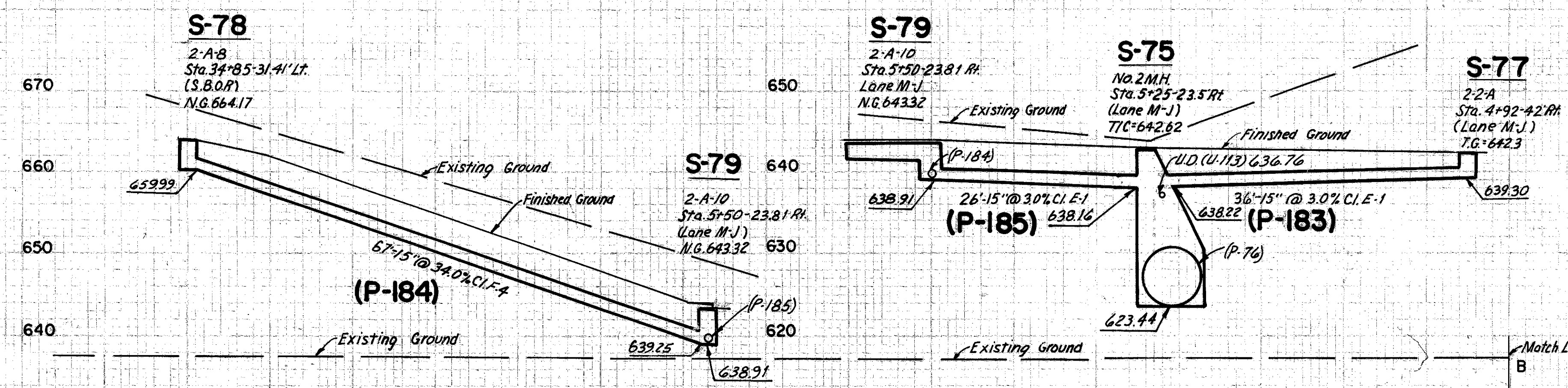
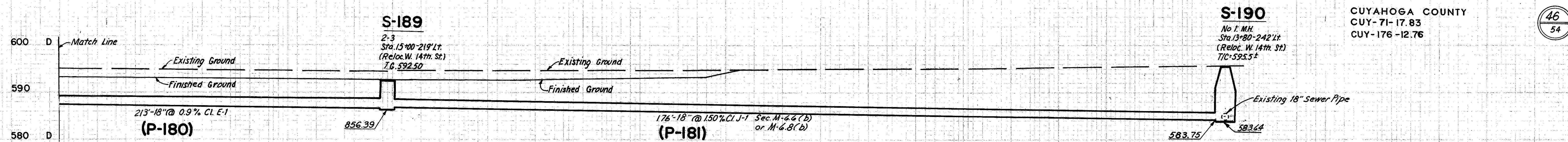


FED. RD. DIVISION	STATE	PROJECT
2	OHIO	

297  
646

46  
54

CUYAHOGA COUNTY  
CUY-71-17.83  
CUY-176-12.76



CFN 1972679  
SLM 18.00, 15"  
SEE SHEET 264

SLM 18.00, 15"  
SEE SHEET 264

CFN 1972673  
SLM 18.00, 15"  
SEE SHEET 264

CFN 1972681  
SLM 18.00, 15"  
SEE SHEET 264

CFN 1972681  
SLM 18.00, 15"  
SEE SHEET 264

HOWARD, NEEDLES, TAMMEN & BERGENDOFF  
CONSULTING ENGINEERS  
KANSAS CITY CLEVELAND NEW YORK

Scale 1"=10' Hor. & Vert.