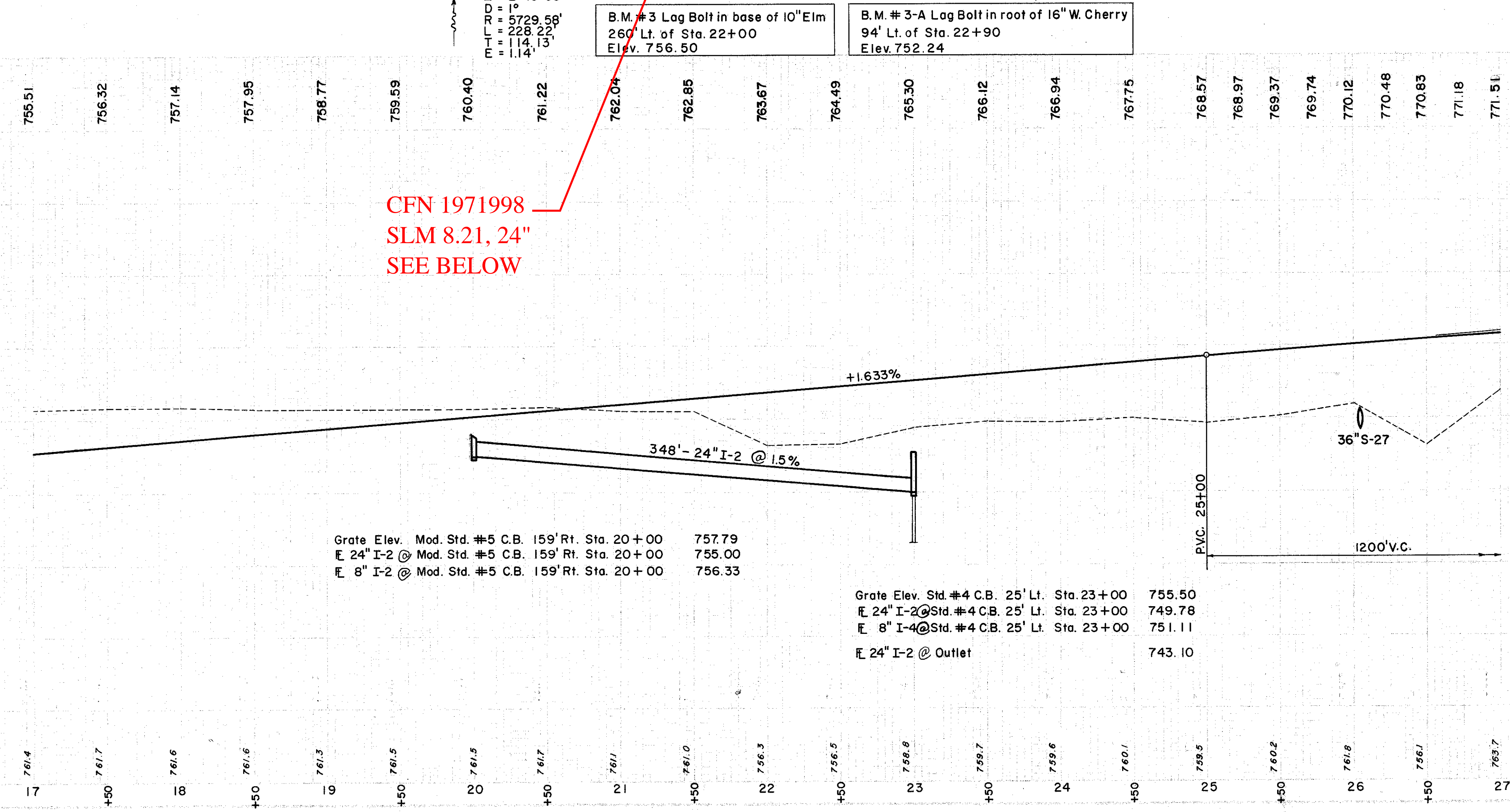
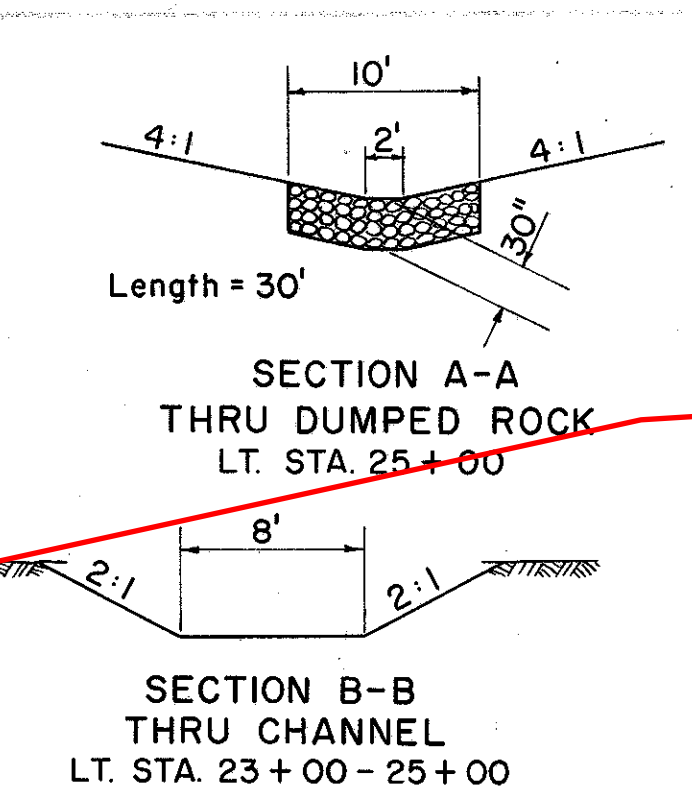
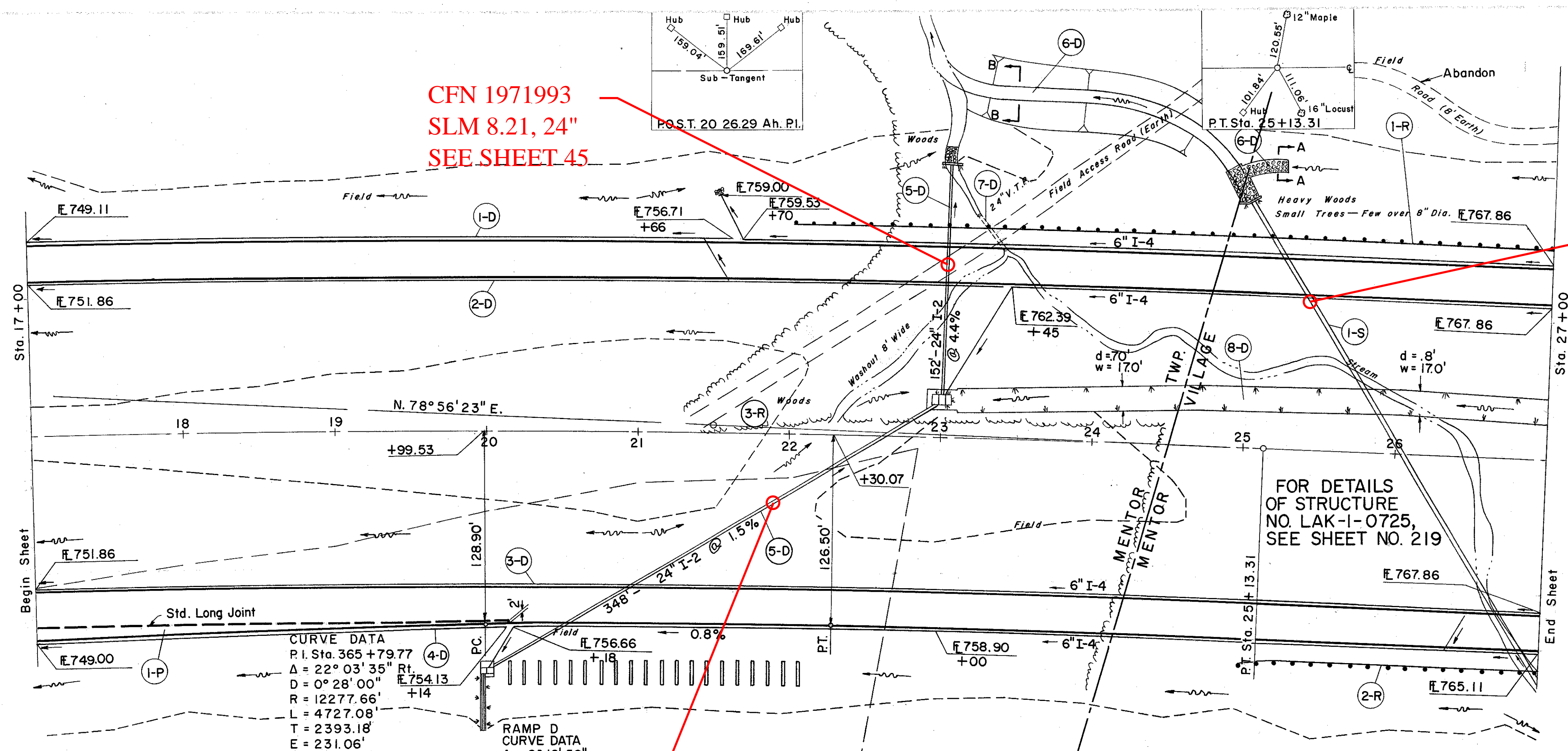


old CFN 430900825  
new CFN 1804063  
SLM 8.25, 36"  
SEE SHEET 219  
AND 266



CFN 1971998  
SLM 8.21, 24"  
SEE BELOW

Grate Elev.	Mod. Std. #5 C.B.	159' Rt. Sta.	20+00	757.79
24" I-2 @	Mod. Std. #5 C.B.	159' Rt. Sta.	20+00	755.00
8" I-2 @	Mod. Std. #5 C.B.	159' Rt. Sta.	20+00	756.33

Grate Elev.	Std. #4 C.B.	25' Lt. Sta.	23+00	755.50
24" I-2 @	Std. #4 C.B.	25' Lt. Sta.	23+00	749.78
8" I-4 @	Std. #4 C.B.	25' Lt. Sta.	23+00	751.11
24" I-2 @	Outlet			743.10

REF. NO.	STATION	DRAINAGE		STRUCTURES		PAVEMENT	
		FROM	TO	REF. NO.	STATION	REF. NO.	STATION
I-D	17+00	27+00	E-2	26+04	I-10	17+00	27+00
2-D	17+00	27+00	E-2	26+04	I-10	17+00	27+00
3-D	17+00	27+00	E-2	26+04	I-10	17+00	27+00
4-D	17+00	27+00	E-2	26+04	I-10	17+00	27+00
5-D	20+00	23+00	E-2	26+04	I-10	17+00	27+00
6-D	23+00	25+00	E-2	26+04	I-10	17+00	27+00
7-D	23+00	25+00	E-2	26+04	I-10	17+00	27+00
8-D	23+08	27+25	E-2	26+04	I-10	17+00	27+00

REF. NO.	STATION	SIDE		TOTALS	
		FROM	TO	LT.	RT.
1-R	22+00	27+00	500	200	4
2-R	25+00	27+00	200	200	4
3-R	21+30	22+10	700	700	4

REF. NO.	STATION	CONC.		REIN.	
		FROM	TO	LT.	RT.
I-P	17+00	22+30	27+00	211	211

PAVEMENT	19,117 C.Y.
PAVEMENT	30,316 C.Y.
PAVEMENT	35,773 C.Y.