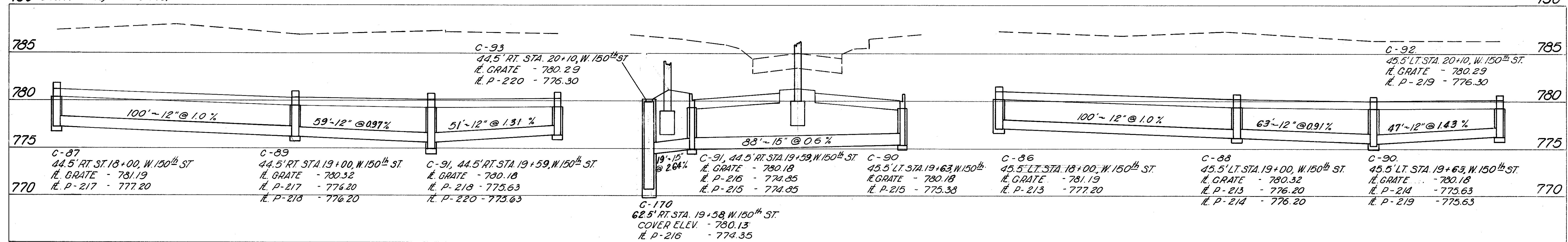


CFN 1972326
 SLM 11.87, 21"
 SEE SHEET 290

P-98 CLASS B-1
 P-97 CLASS J-1
 P-95 CLASS E-1
 P-222 CLASS J-1
 P-221 CLASS J-1
 P-206 CLASS E-1
 P-100 CLASS J-1
 P-99 CLASS E-1
 P-223 CLASS J-1



P-217 CLASS J-1
 P-218 CLASS J-1
 P-220 CLASS J-1
 P-216 CLASS E-1
 P-215 CLASS J-1
 P-213 CLASS J-1
 P-214 CLASS J-1
 P-219 CLASS J-1

PIPE REFERENCE	STRUCTURES INCLUDED	ESTIMATED QUANTITIES												SEE SHEET NO.		
		CLASS B-1		CLASS E-1		CLASS J-1		STANDARD NO.				SPECIAL NO.				
		LIN. FT.	LIN. FT.	LIN. FT.	LIN. FT.	LIN. FT.	LIN. FT.	5' CATCH BASIN	2'-8" INLET	2' MANHOLE	2'-10" INLET	4' CURB INLET	4' CATCH BASIN			
P-95	C-95		82													
P-97	C-98						30	1								
P-98	C-99	38						1								
P-99	C-94		71													
P-100	I-73					75										
P-206	C-100			15												
P-217	C-87						100									
P-218	C-89						59									
P-220	C-93						51									
P-221	C-97, M-62						33									
P-222	C-96						40									
P-223	I-19															
P-215	C-90															
P-216	C-91			19												
P-213	C-86						100									
P-214	C-88						63									
P-219	C-92						47									
TOTALS		38	153	34	498	269	30	3	1	1	1	10	2			

FOR DRAINAGE PLAN -
 SEE SHEET NOS. 290, 291, & 292.