

CFN 1972455
SLM 16.76, 15"
SEE SHEET 222

CFN 1972487
SLM 16.76, 15"
SEE SHEET 222

CFN 1972467
SLM 16.80, 18"
SEE SHEET 222

SLM 16.80, 12"
SEE SHEET 222

CFN 1972480
SLM 16.82, 15"
SEE SHEET 222

CLASS J-1 P-38

CLASS J-1 P-39

CLASS E-1 P-40

CLASS J-1 P-41

CLASS E-1 P-42

CLASS J-1 P-43

CLASS E-1 P-44

CLASS J-1 P-45

CLASS J-1 P-46

CLASS E-1 P-47

CLASS J-1 P-48

CLASS E-1 P-49

CLASS J-1 P-50

CLASS J-1 P-51

CLASS E-1 P-52

SLM 16.76, 15"
SEE SHEET 222

SLM 16.80, 18"
SEE SHEET 222

CFN 1972444
SLM 16.80, 18"
SEE SHEET 222

CFN 1972552
SLM 16.80, 21"
SEE SHEET 222

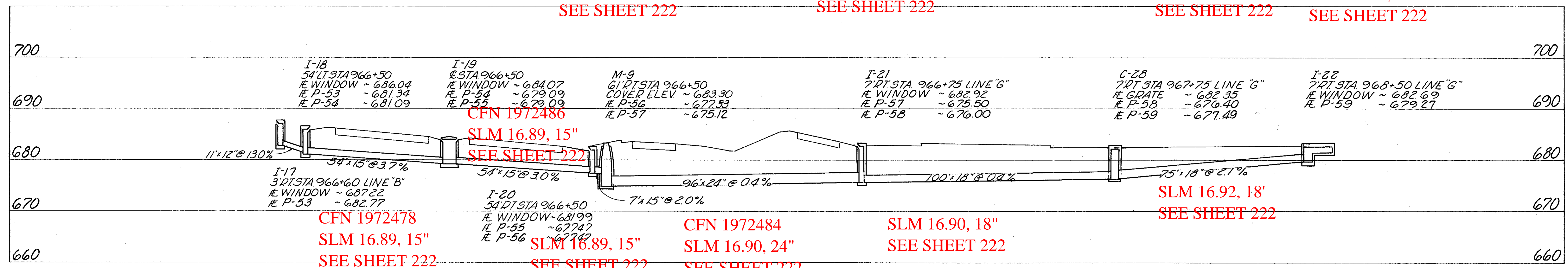
SLM 16.80, 18"
SEE SHEET 222

CFN 1972479
SLM 16.83, 12"
SEE SHEET 222

CFN 1972481
SLM 16.82, 15"
SEE SHEET 222

SLM 16.82, 15"
SEE SHEET 222

DESCRIPTION
EQUIPMENT
DATE
PLOTTED BY
CHECKED BY
DATE



CLASS E-1 P-53

CLASS J-1 P-54

CLASS J-1 P-55

CLASS E-1 P-56

CLASS J-1 P-57

CLASS J-1 P-58

CLASS J-1 P-59

SLM 16.89, 15"
SEE SHEET 222

CFN 1972478
SLM 16.89, 15"
SEE SHEET 222

CFN 1972486
SLM 16.89, 15"
SEE SHEET 222

CFN 1972484
SLM 16.90, 24"
SEE SHEET 222

SLM 16.90, 18"
SEE SHEET 222

SLM 16.92, 18"
SEE SHEET 222

ESTIMATED QUANTITIES

PIPE REFERENCE	CLASS J-1										STRUCTURES INCLUDED	I-B					L-120	SEE SHEET NO.			
	I-1					CLASS E-1						STANDARD INLETS		STD. INLETS as per plan		STANDARD CATCH BASINS					
	12" L.F.	15" L.F.	18" L.F.	21" L.F.	24" L.F.	12" L.F.	15" L.F.	18" L.F.	21" L.F.	24" L.F.		2A-6 EA.	2A-8 EA.	2A-10 EA.	2A-12 EA.	2-6 EA.			2-8 EA.	NO. 3 EA.	NO. 3-A EA.
P-38											I-11										
P-39, P-40											I-12, C-20										125
P-41, P-42											C-21, C-22										125
P-43, P-44											C-23, C-24										
P-45, P-46											C-25, C-26										
P-47, P-48											C-27, C-28										125
P-49, P-50											I-13, I-14										
P-51, P-52											I-15, I-16										
P-53, P-54											I-17, I-18										
P-55, P-56											I-19, I-20										
P-57, P-58											I-21, C-28										
P-59											I-22										
TOTALS	50	349	320	42	96	21	28	33			5	2	1	1	1	1	5	2	3	375	