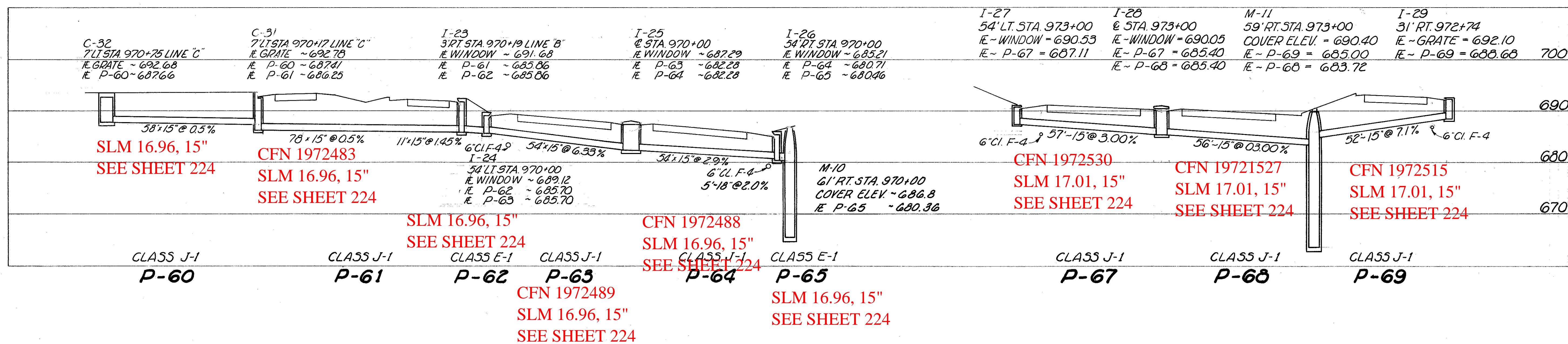
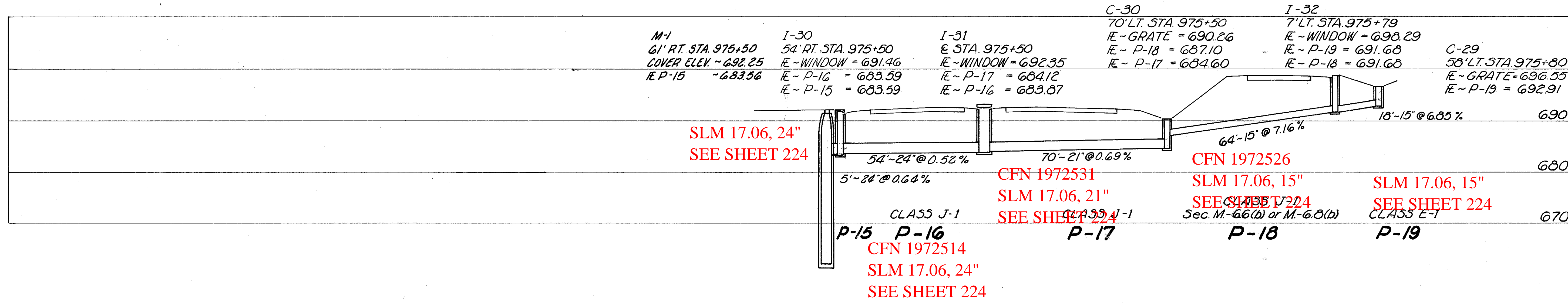


CUYAHOGA COUNTY
CUY-71 15.06



NOTE: P-66 OMITTED

PIPE REFERENCE	STRUCTURES INCLUDED	ESTIMATED QUANTITIES													SEE SHEET NO.	
		L-120 JUTE MATTING SQ. YDS.	CLASS E-1		Sec. M-66(b) or M-60(b) 15"	CLASS J-1			STANDARD CATCH BASINS		I-8 STANDARD INLETS					STD. INLET Nº 2-8 EACH 25 per plan
			15"	10"		15'	21'	24'	Nº 3	Nº 5	Nº 2A-6	Nº 2A-8	Nº 2A-10	Nº 2A-12		
			LIN. FT.			LIN. FT.			EACH		EACH					
P-15	I-30															224
P-16	I-31															224
P-17	C-30	125					70									224
P-18	I-32															224
P-19	C-29	125														224
P-60	C-32						58									224
P-61	C-31						78									224
P-62	I-23						11									224
P-63	I-24															224
P-64	I-25															224
P-65	I-26															224
P-67	I-27															224
P-68	I-28															224
P-69	I-29															224
TOTALS		250	29	5	64	409	70	59	2	2	3	1	2	1	3	