

FED. RD. DIVISION	STATE	PROJECT	70 410
2	OHIO		

CUYAHOGA COUNTY
 CUY.-77-8.69
 CUY.-80-17.37

CFN 1974653
 SLM 17.70, 15"
 SEE SHEET 79

CFN 1974658
 SLM 17.73, 24"
 SEE SHEET 78

CFN 1974659
 SLM 17.73, 27"
 SEE SHEET 80

CFN 1974656
 SLM 17.73, 30"
 SEE SHEET 80

CFN 1974654
 SLM 17.73, 33"
 SEE SHEET 80

CFN 1974657
 SLM 17.86, 18"
 SEE SHEET 65
 AND 86

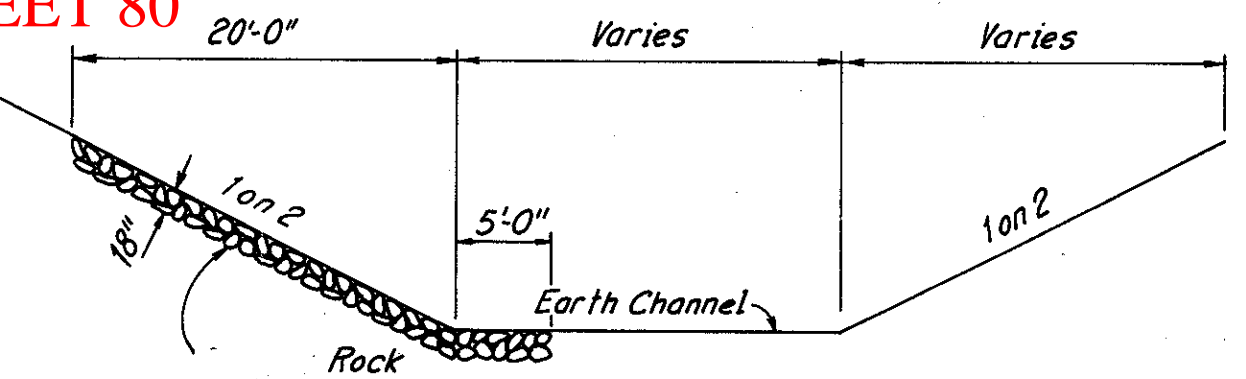
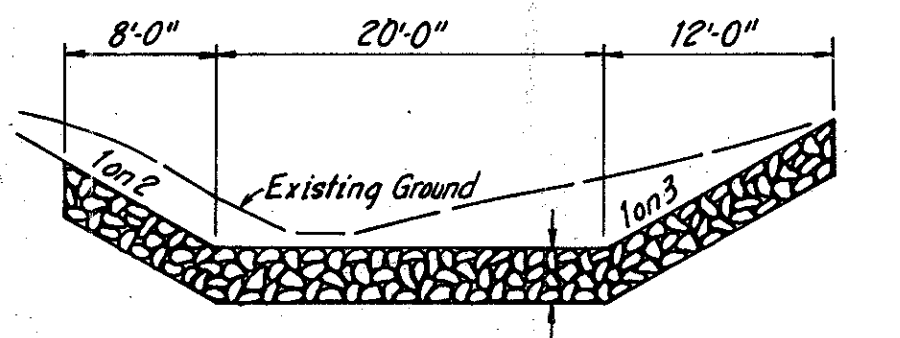
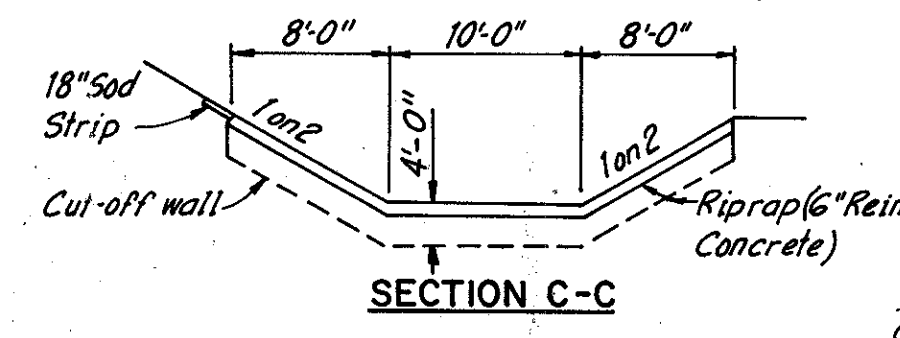
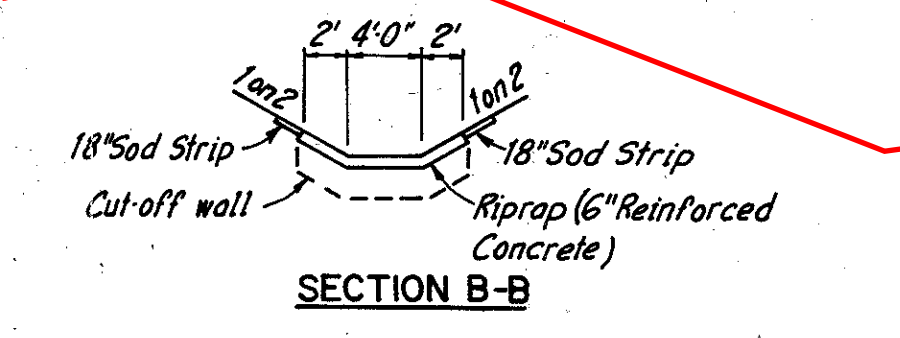
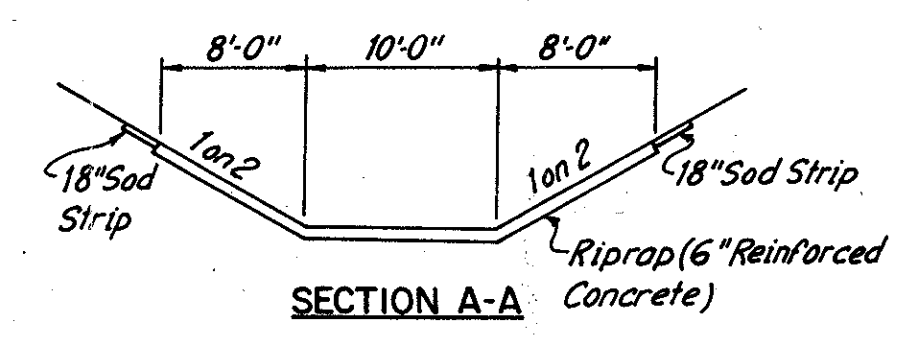
SLM 17.73, 28"
 SEE SHEET 80

CFN 184801795
 SLM 17.84, 78"
 SEE SHEET 65
 72, 74 AND 76

SLM 17.76, 18"
 SEE SHEET 80

SLM 17.76, 21"
 SEE SHEET 80

CFN 1974655
 SLM 17.79, 24"
 SEE SHEET 79

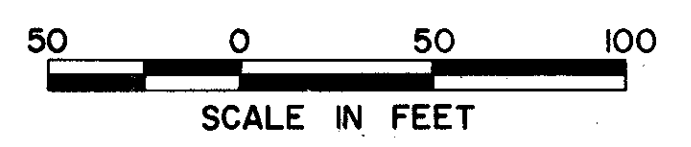


SECTION E-E

Note:
 For details of cut-off walls see sheet no. 97.

For Quantities and Details of End Treatment for Culvert P-1 see sheet 74.

SCALE: 1" = 50'
 HOWARD, NEEDLES, TAMMEN & BERGENDOFF
 MADE RJE DATE 10-18-67
 TRCD JEM DATE 10-22-67
 CKD ERH DATE 10-20-67
 CONSULTING ENGINEERS
 KANSAS CITY CLEVELAND NEW YORK



For Underdrain Outlet detail see sheet No. 96.