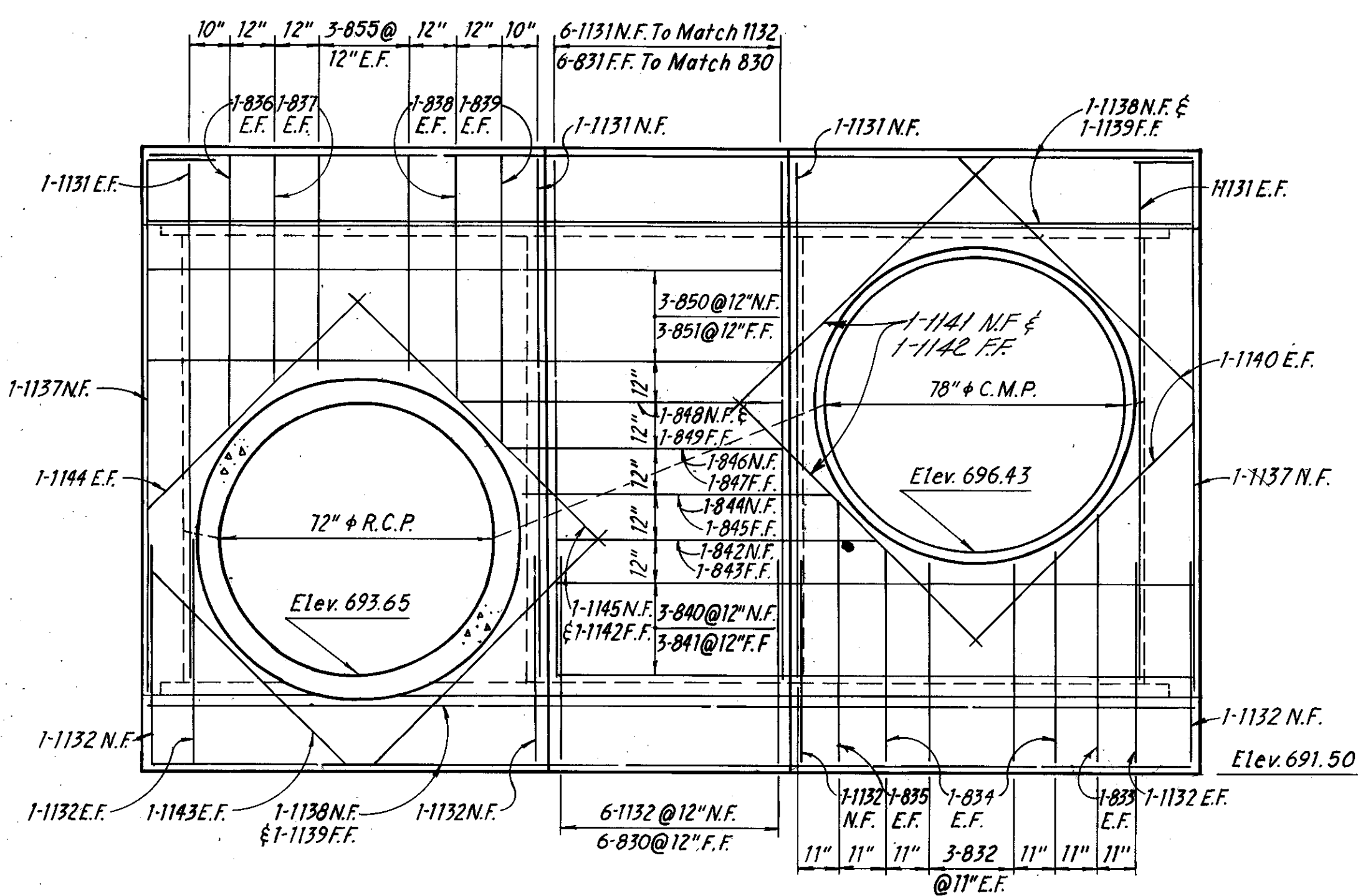
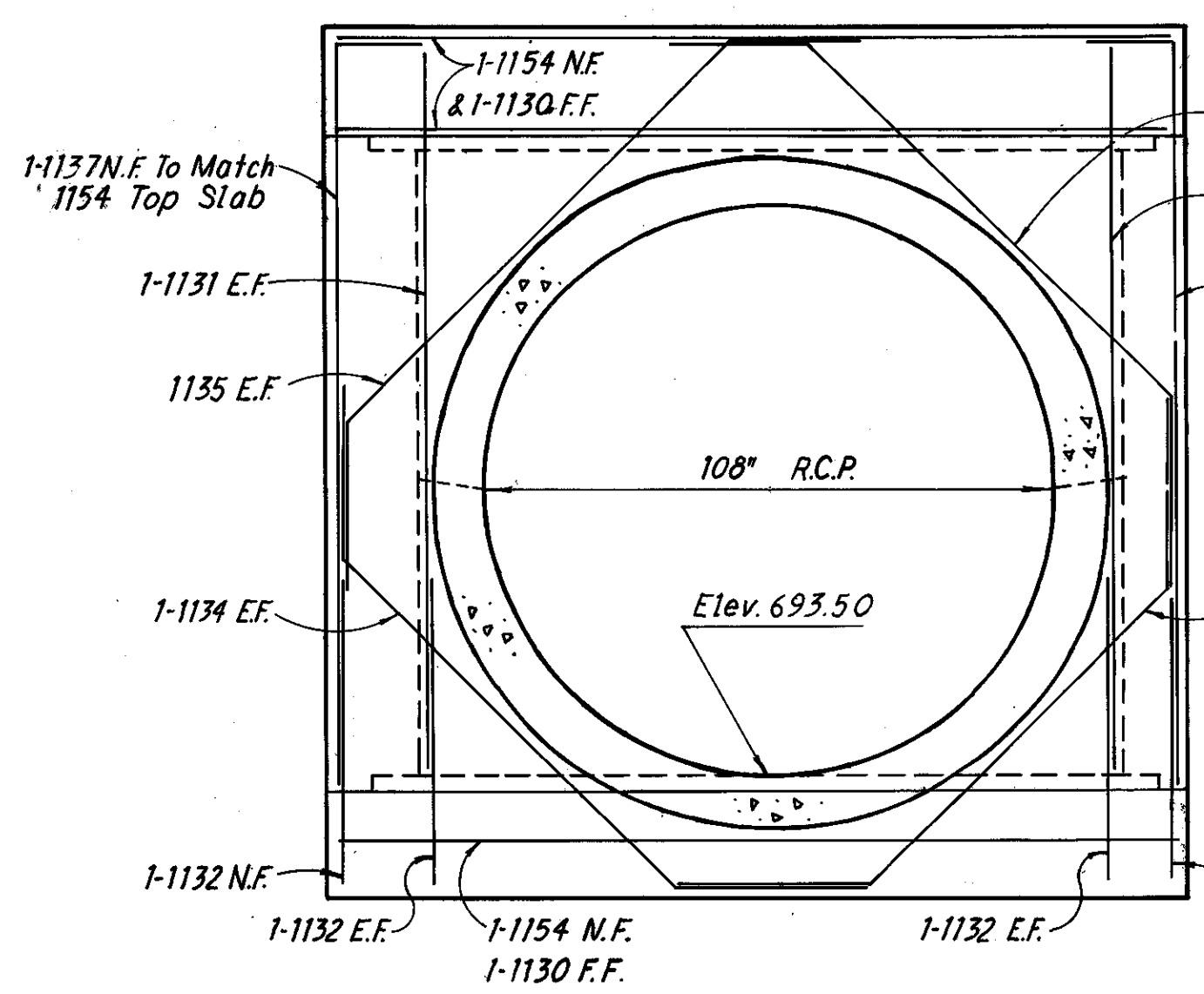


CUYAHOGA COUNTY  
CUY. - 80 - 15.81

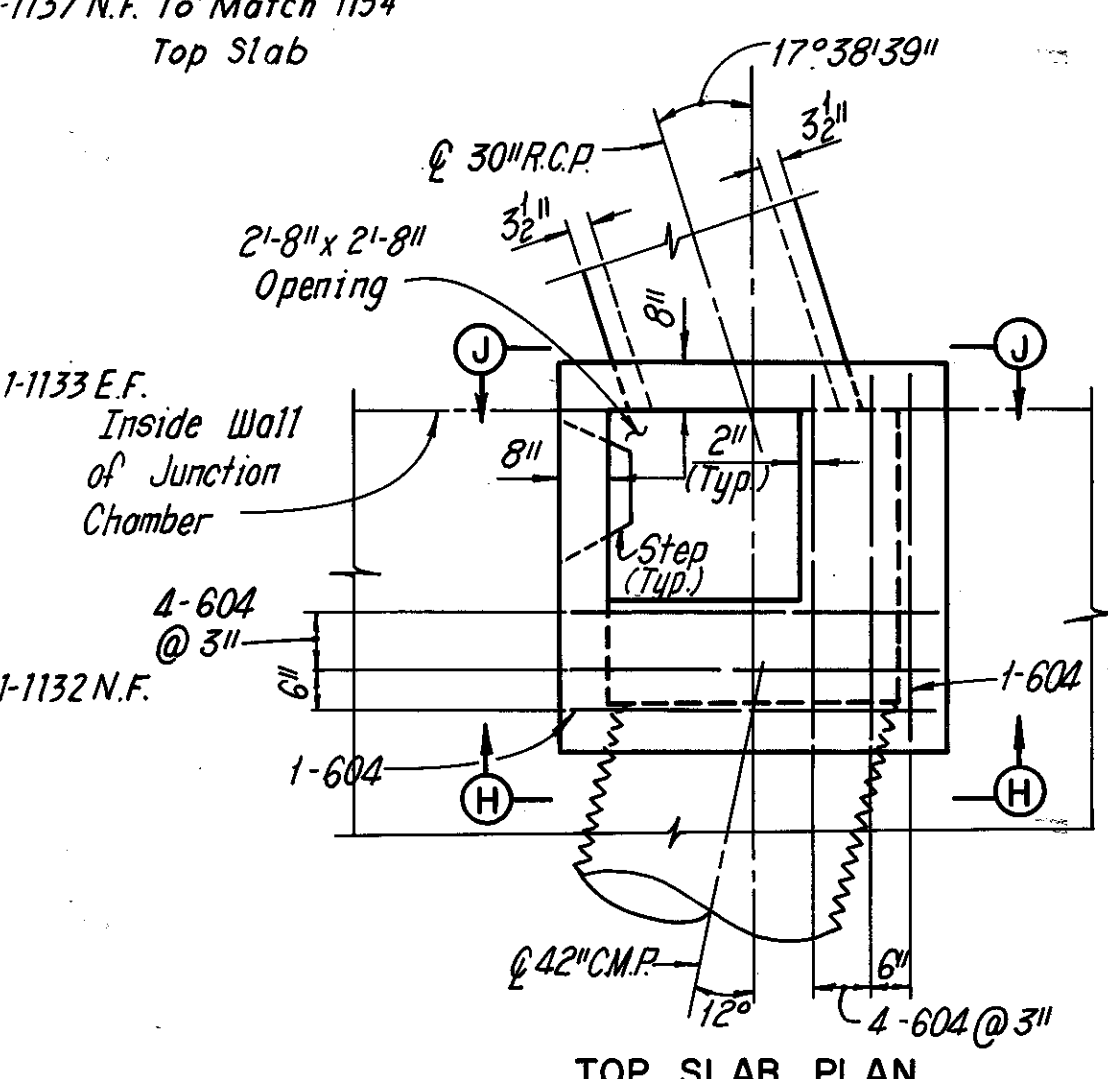
Note: For Details of Grate, Steps and Top of Catch Basin, see Standard Construction Drawing CB-458A.



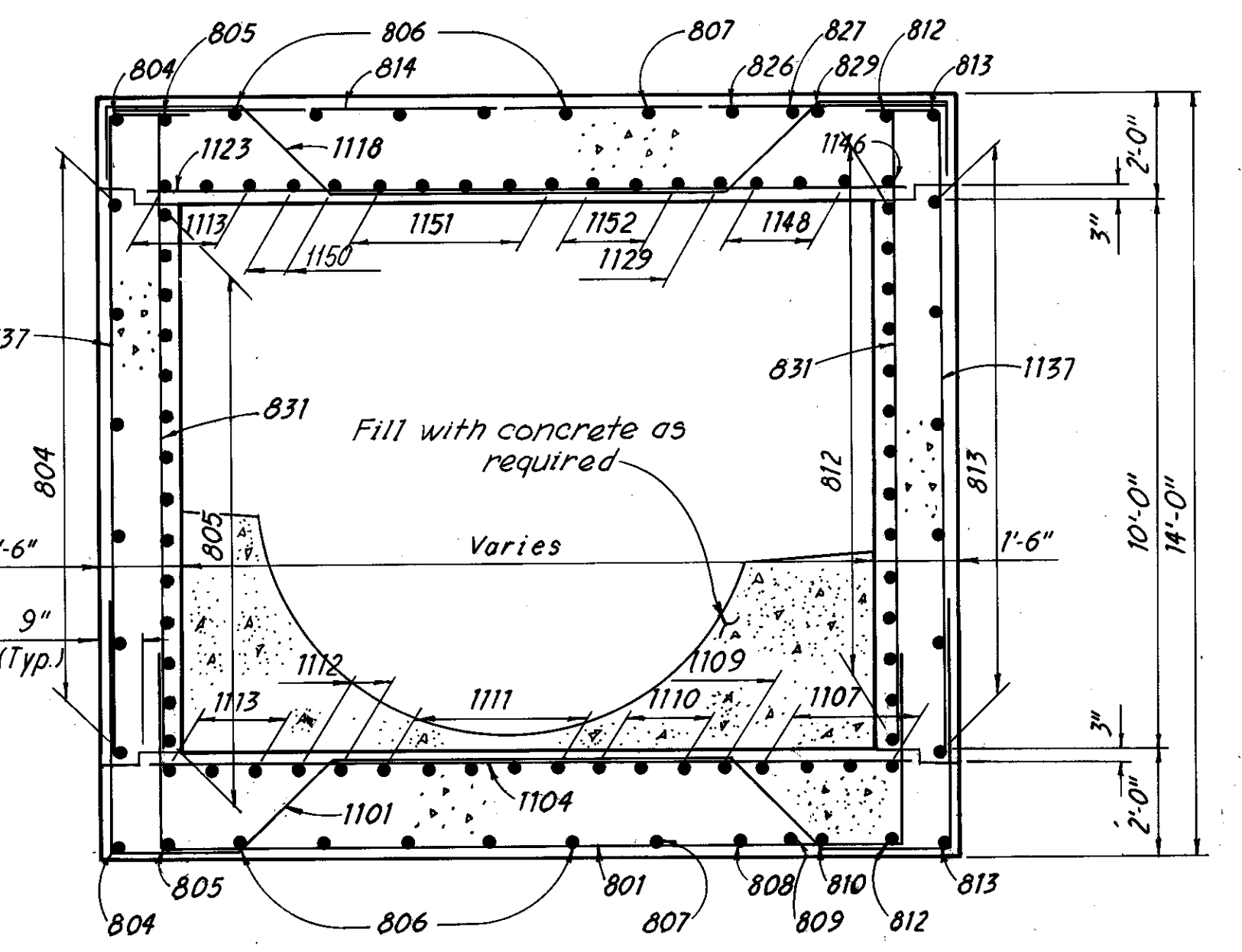
ELEVATION C-C  
Scale: 3/8"=1'-0"



ELEVATION D-D  
Scale: 3/8"=1'-0"

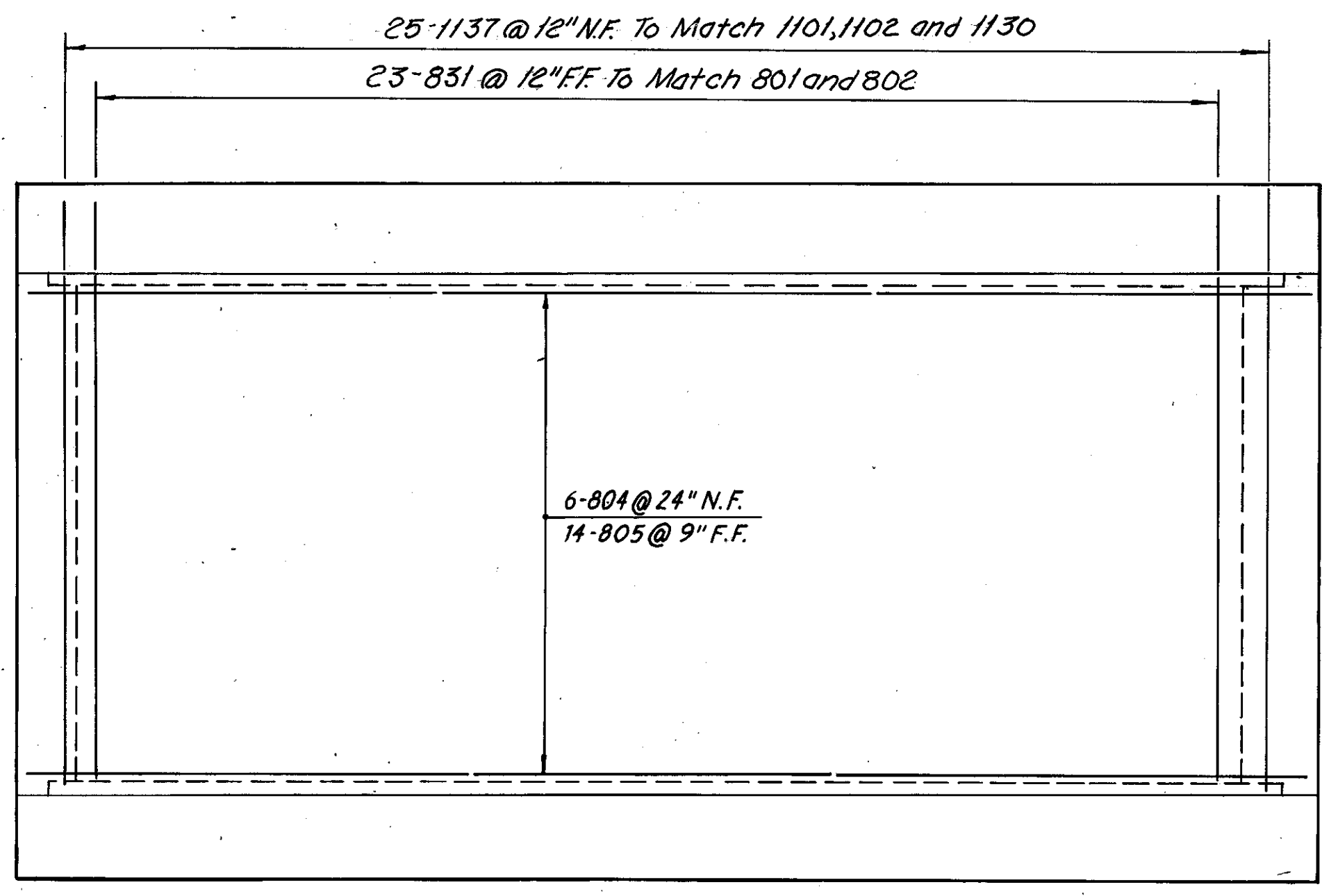


TOP SLAB PLAN  
Scale: 3/8"=1'-0" (Grate not shown)

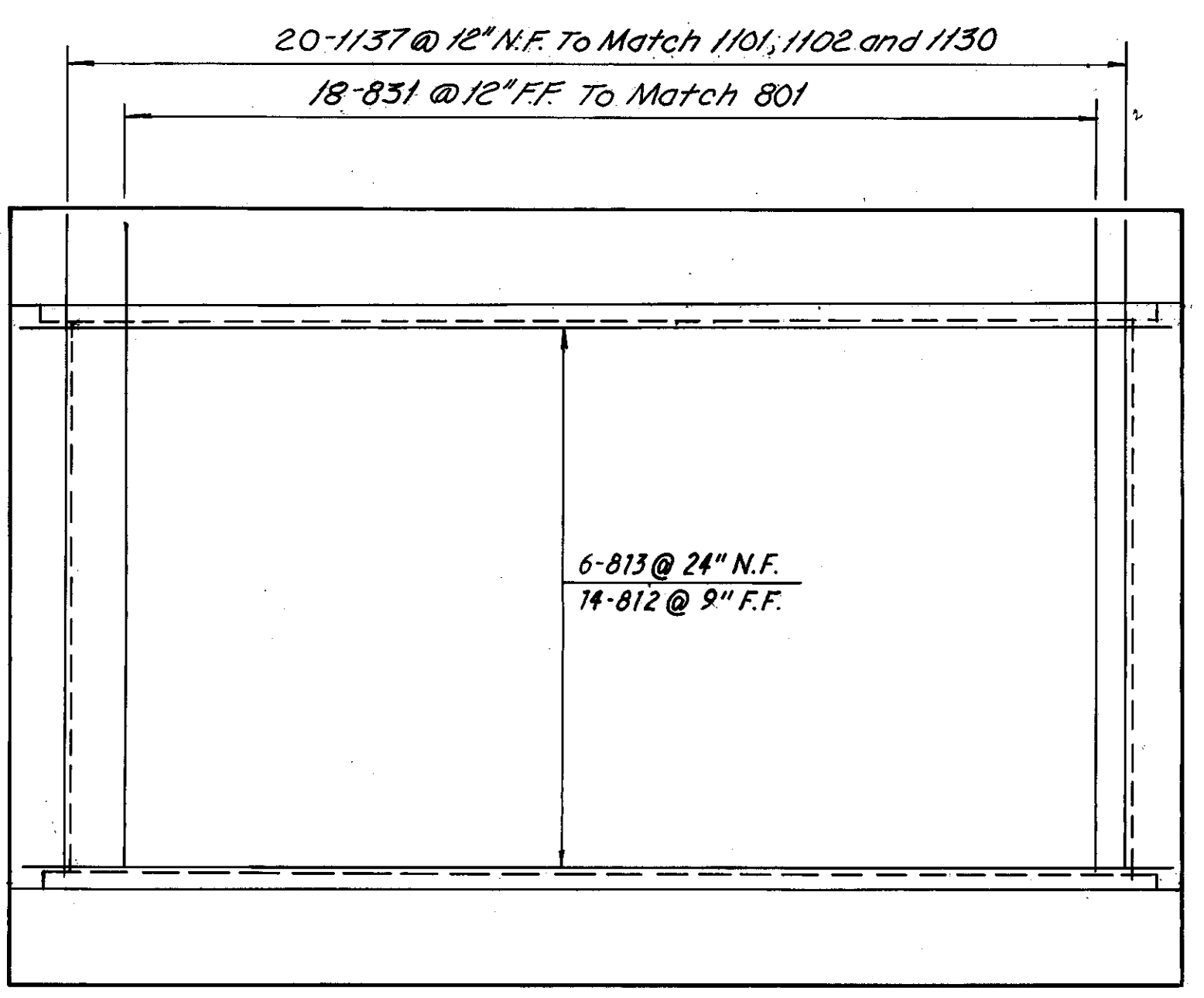


SECTION E-E  
Scale: 3/8"=1'-0"

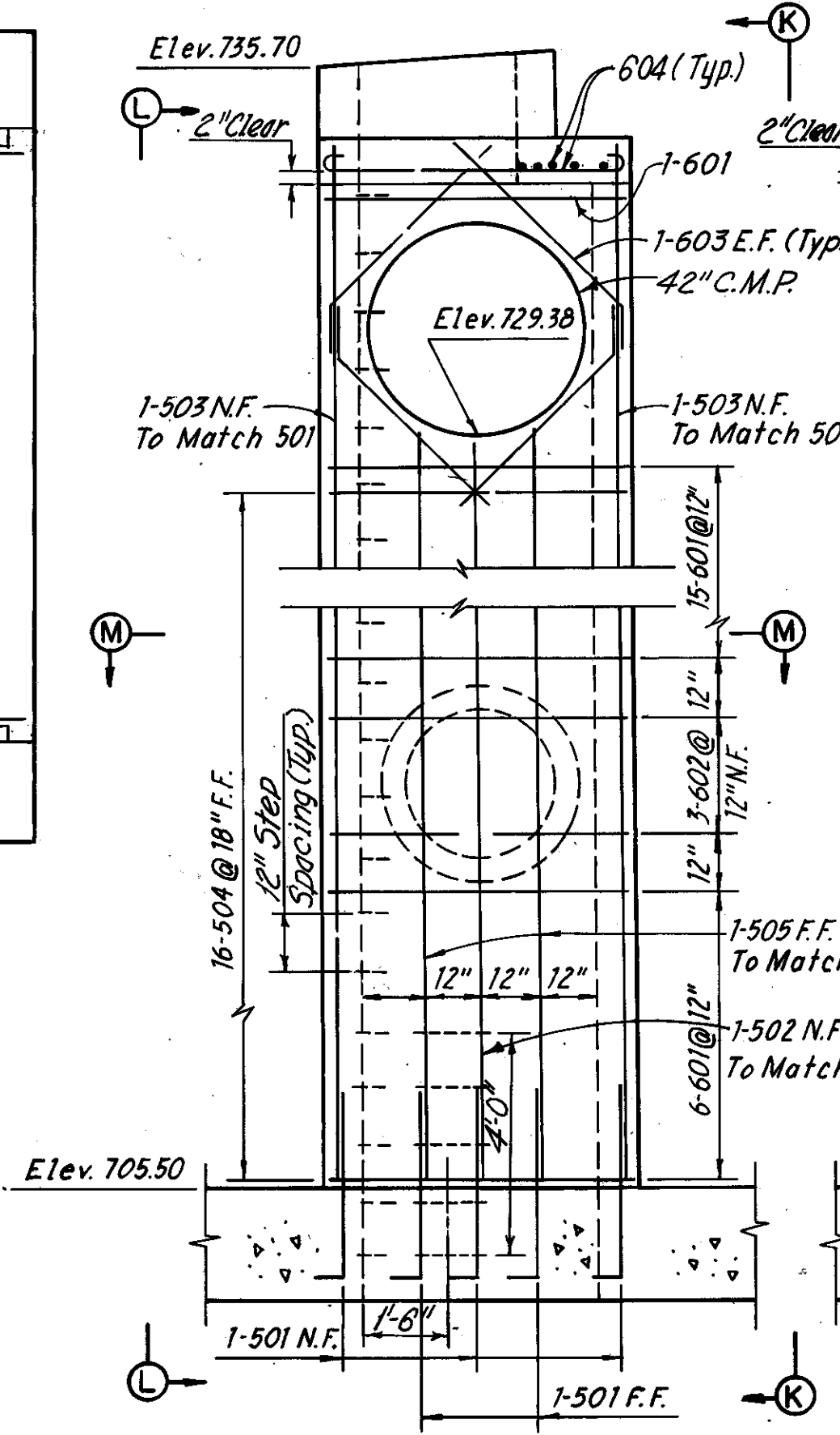
Note: The following abbreviations are used:  
NF = Near Face  
FF = Far Face  
EF = Each Face



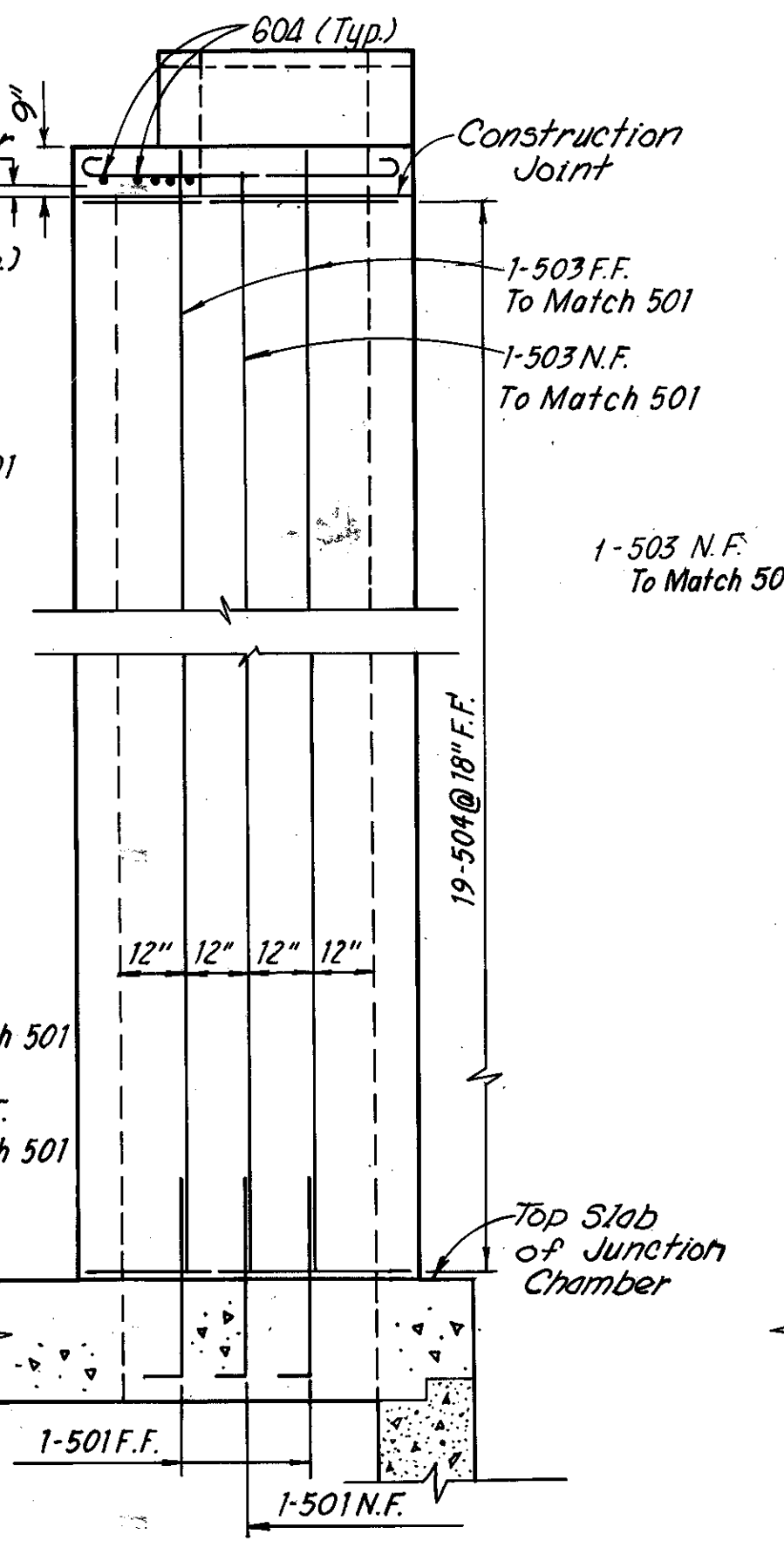
ELEVATION F-F  
Scale: 3/8"=1'-0"



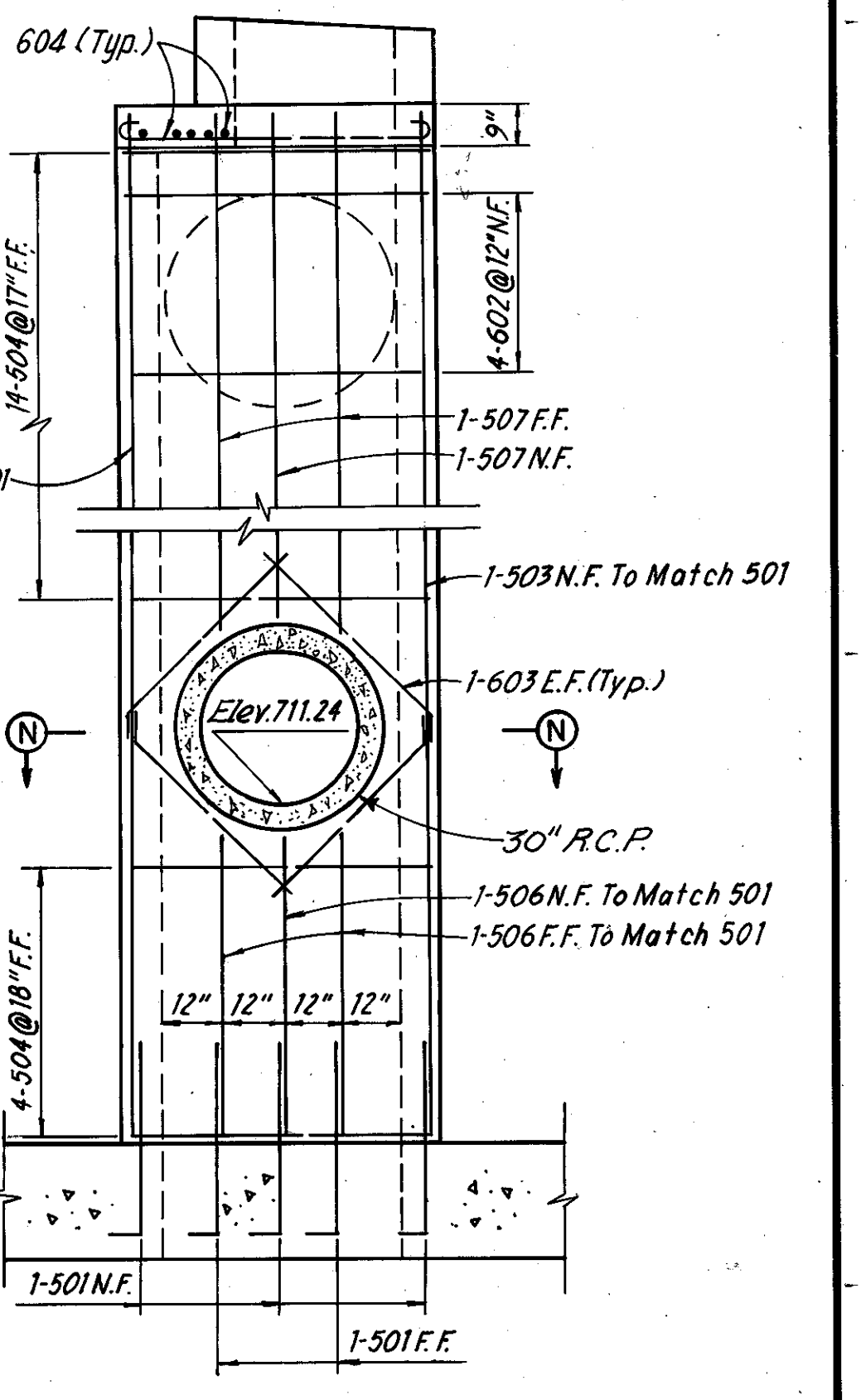
ELEVATION G-G  
Scale: 3/8"=1'-0"



ELEVATION H-H  
Scale: 3/8"=1'-0"

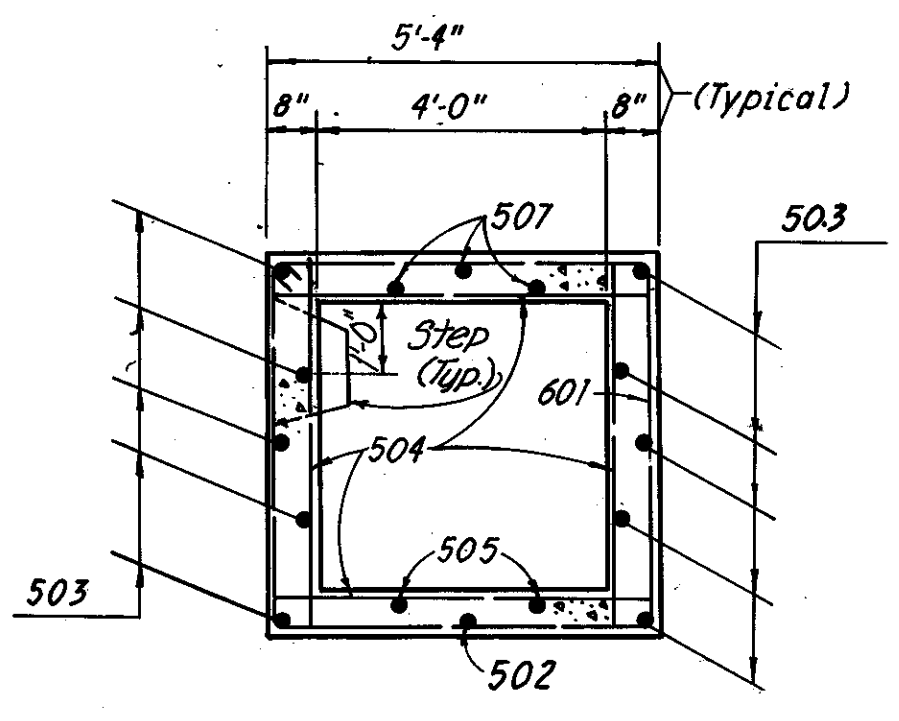


ELEVATION K-K SHOWN  
Scale: 3/8"=1'-0" (Steps not shown)  
ELEVATION L-L SIMILAR

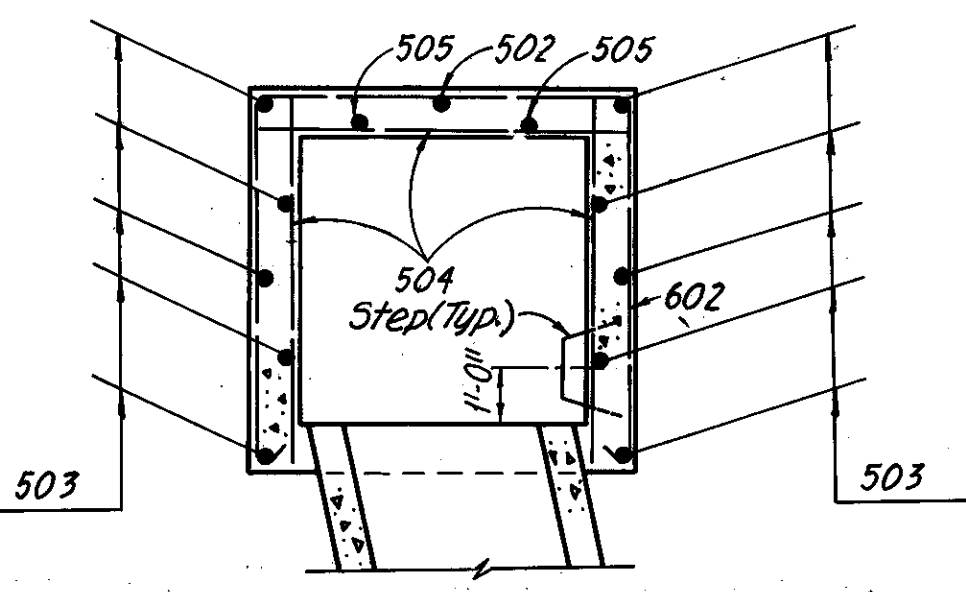


ELEVATION J-J  
Scale: 3/8"=1'-0" (Steps not shown)

Note: For location of Elevations C-C, D-D, F-F and G-G and Section E-E see Sheet 123.



SECTION M-M  
Section: 3/8"=1'-0"



SECTION N-N  
Section: 3/8"=1'-0"

SCALE As Shown  
MADE DMP DATE 7-27-71  
TRCD LDD DATE 8-10-71  
CKD JT DATE 9-15-71  
HOWARD, NEEDLES, TAMMEN & BERGENDOFF  
CONSULTING ENGINEERS  
KANSAS CITY CLEVELAND NEW YORK