

CALC. BY: EJK  
DATE: 4/94  
CHKD. BY: DSB  
DATE: 4/94

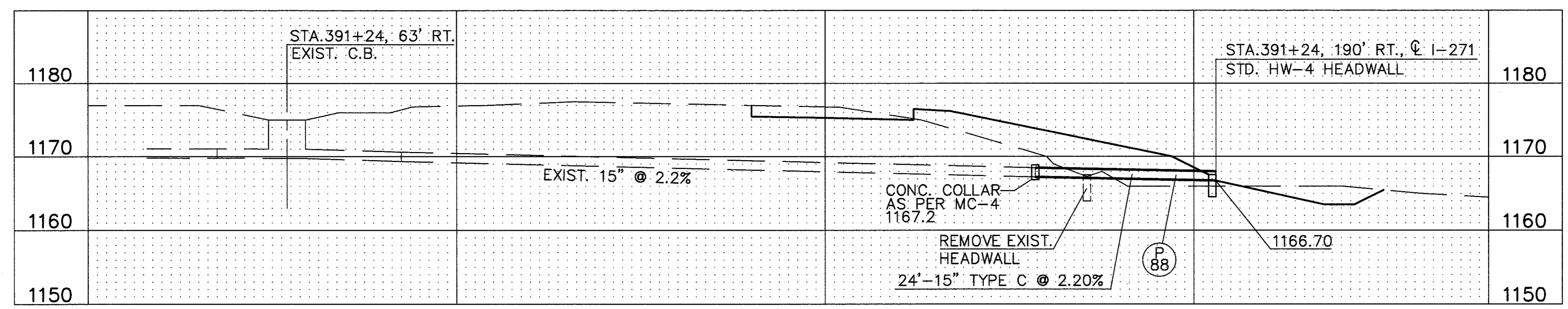
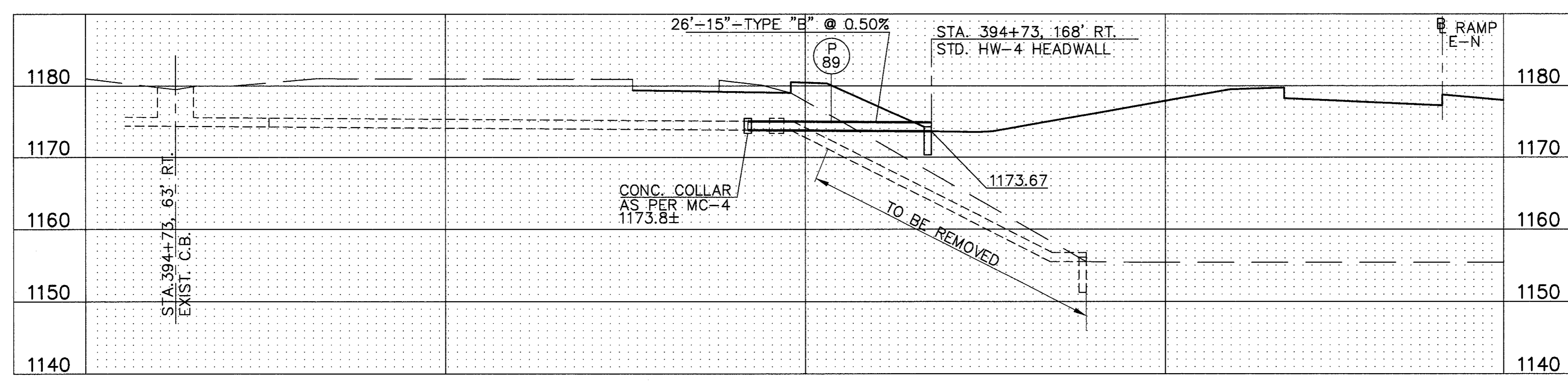
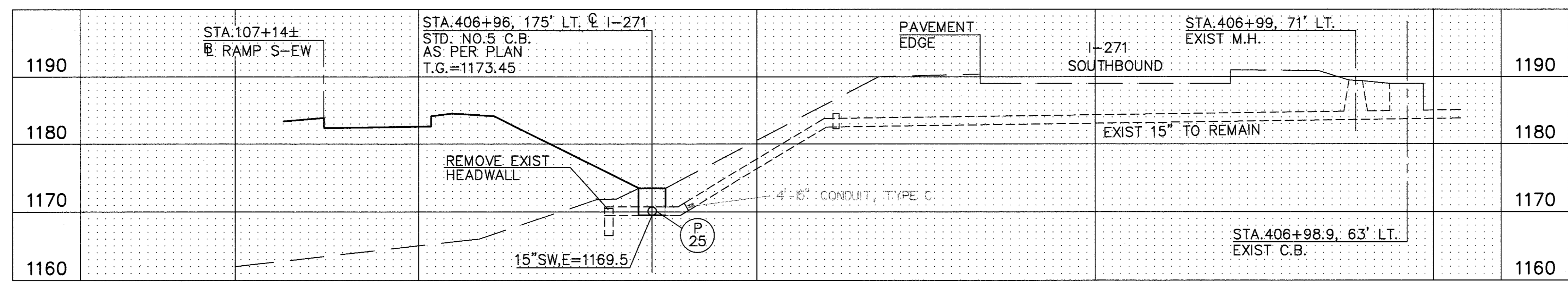
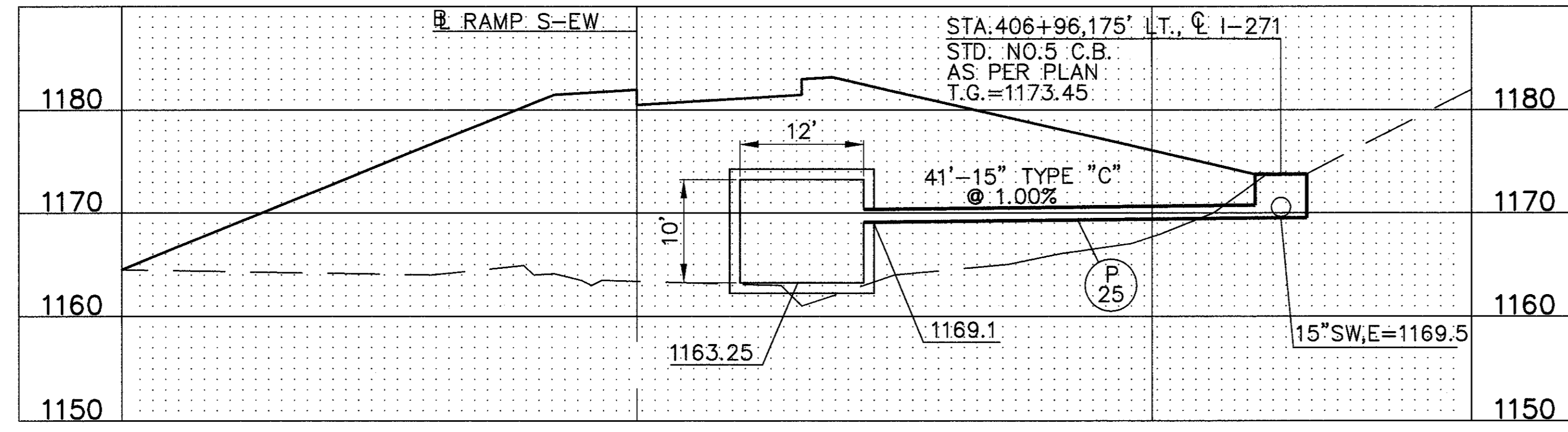
CUY-271-6.53

OHIO

F.H.W.A. REGION 5

100  
394

CUYAHOGA COUNTY



DESIGNED BY: J.K. CHECKED BY: DSB  
DATE: 12/1/93 DATE: 4/12/94  
DRAWN BY: J.E.D. REVISION BY: T.K.I.  
DATE: 12/8/93 DATE: 4/19/94  
CAD FILE NAME: 7014900-DRNPROF3

