

CALC. BY: EJK
DATE: 4/94
CHKD. BY: DSB
DATE: 4/94

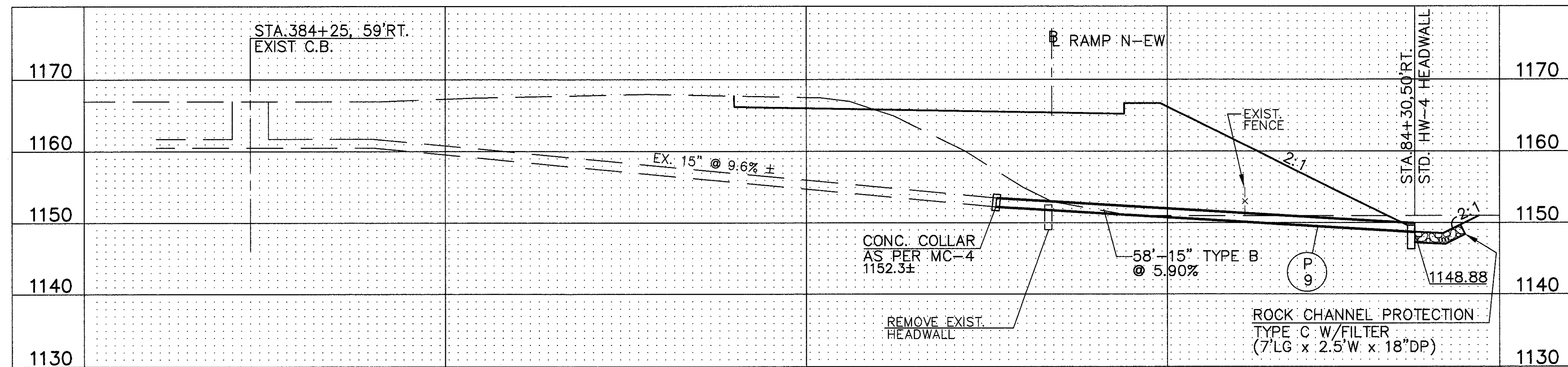
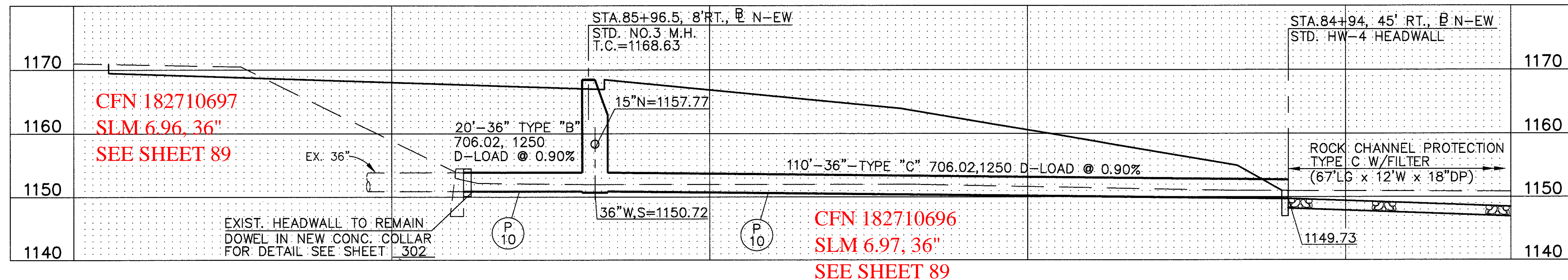
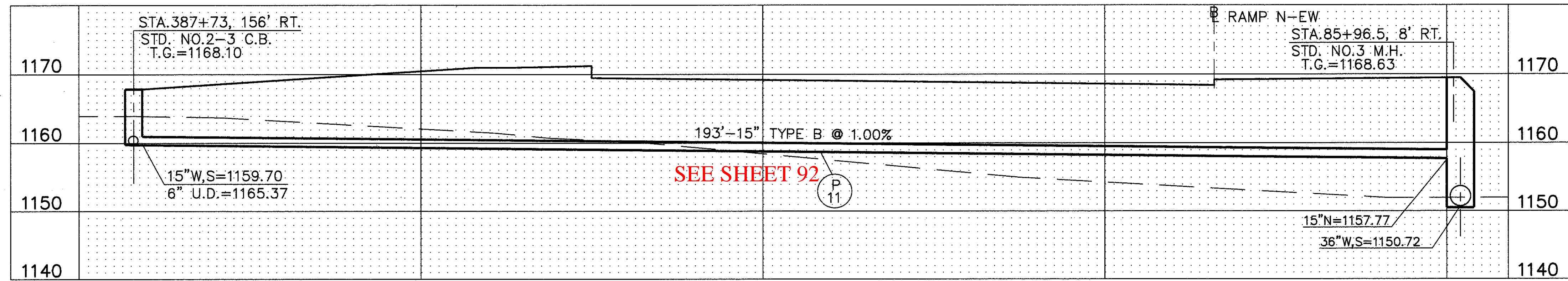
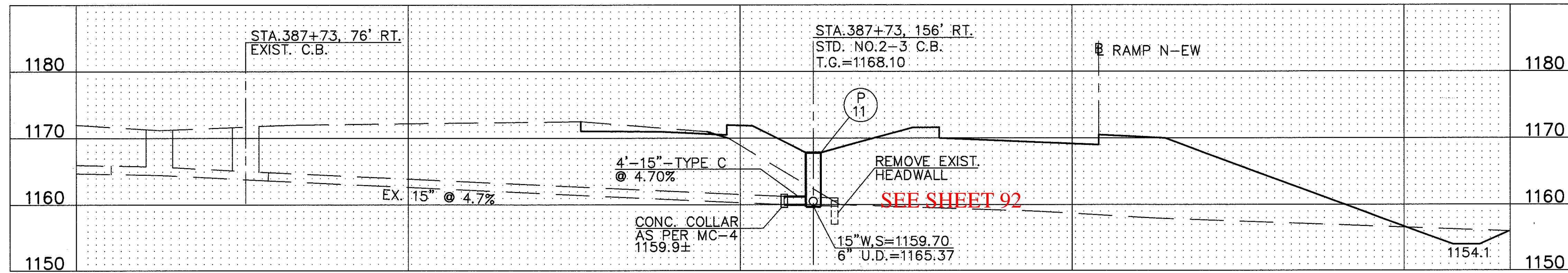
CUY-271-6.53

OHIO

F.H.W.A. REGION 5

99
394

CUYAHOGA COUNTY



DESIGNED BY: J.K. CHECKED BY: DSB
DATE: 12/1/93 DATE: 4/12/94
DRAWN BY: J.E.D. REVISED BY: T.K.L.
DATE: 12/8/93 DATE: 4/19/94
CAD FILE NAME: 7014900-DRNPROF2

