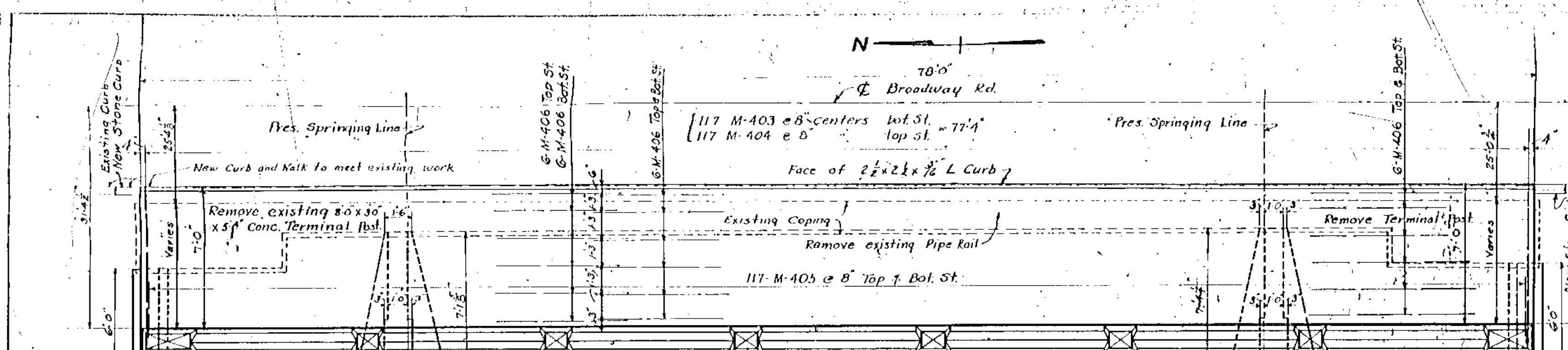


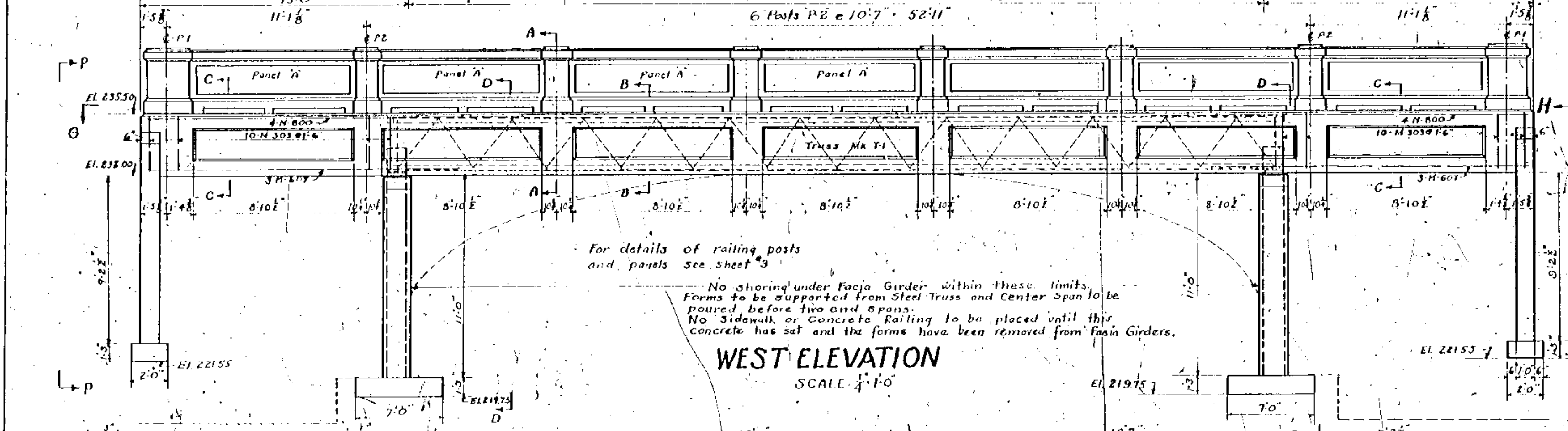
PLAN
 PROFILE
 SECTION
 TRUSS
 ANCHOR BOLT
 VIEW

PROFILE
 SECTION
 TRUSS
 ANCHOR BOLT
 VIEW

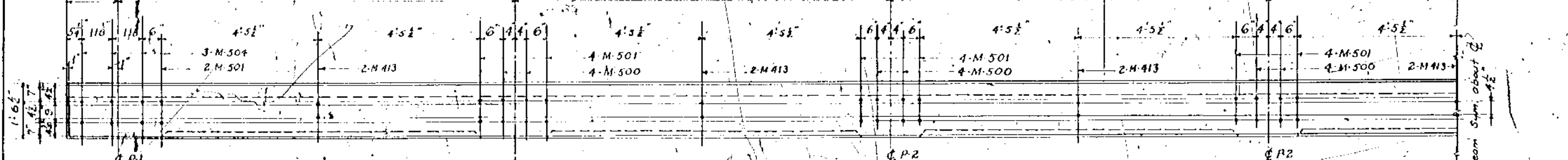
PROFILE
 SECTION
 TRUSS
 ANCHOR BOLT
 VIEW



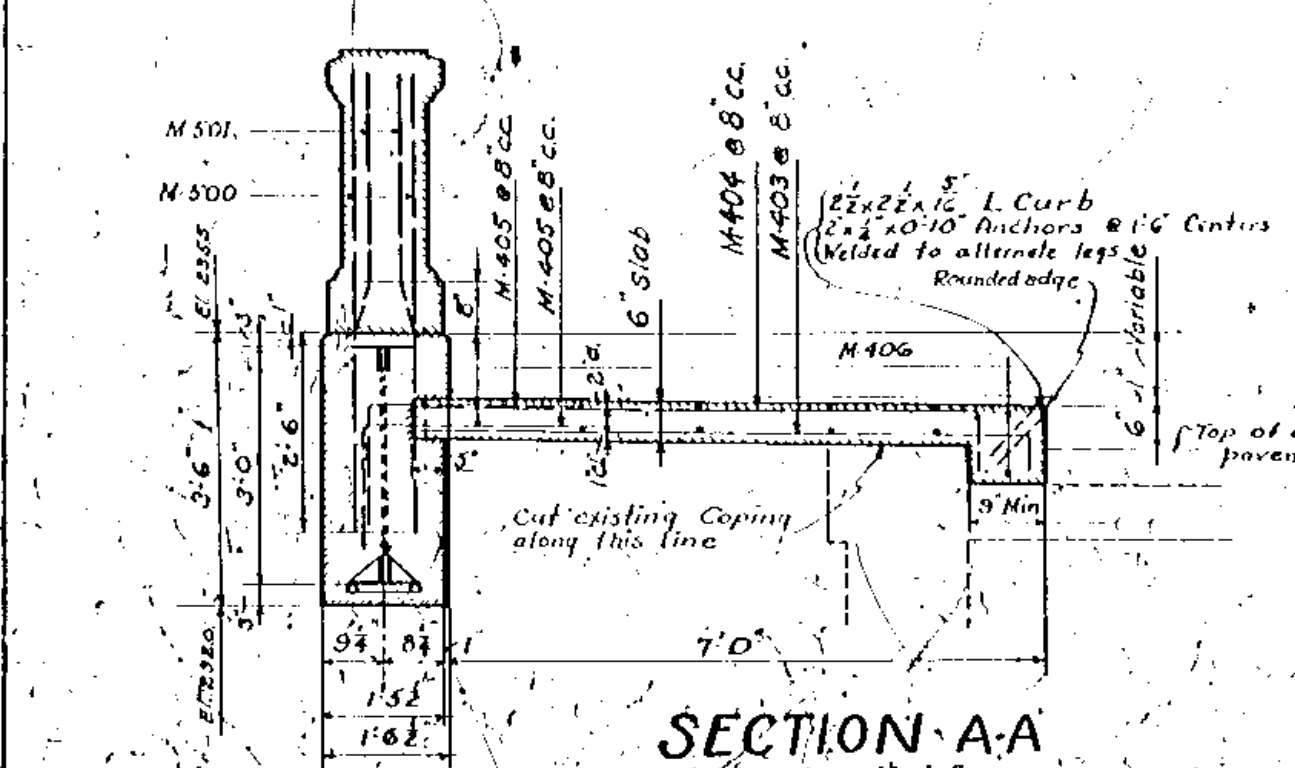
PLAN OF WEST WALK
 SCALE: 1/8" = 1'-0"



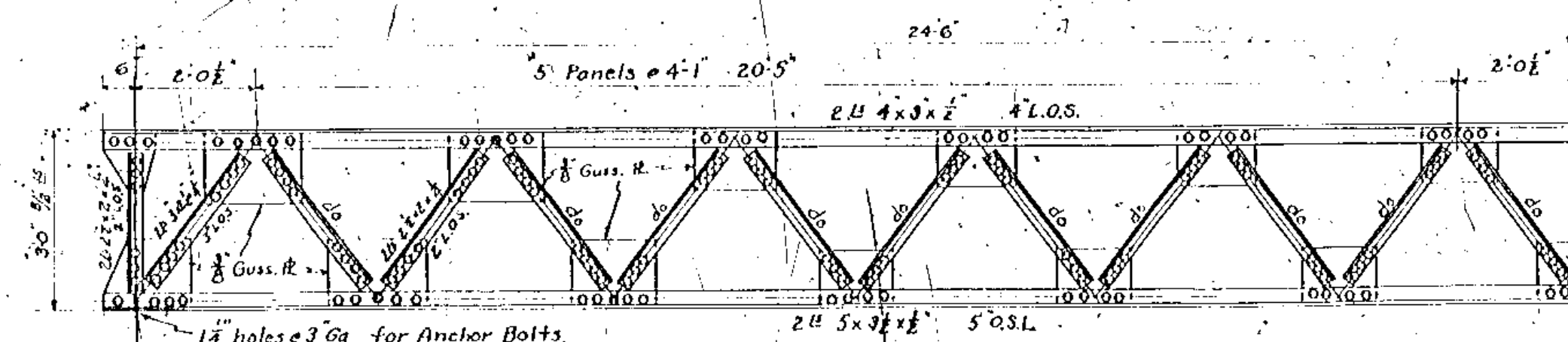
WEST ELEVATION
 SCALE: 1/8" = 1'-0"



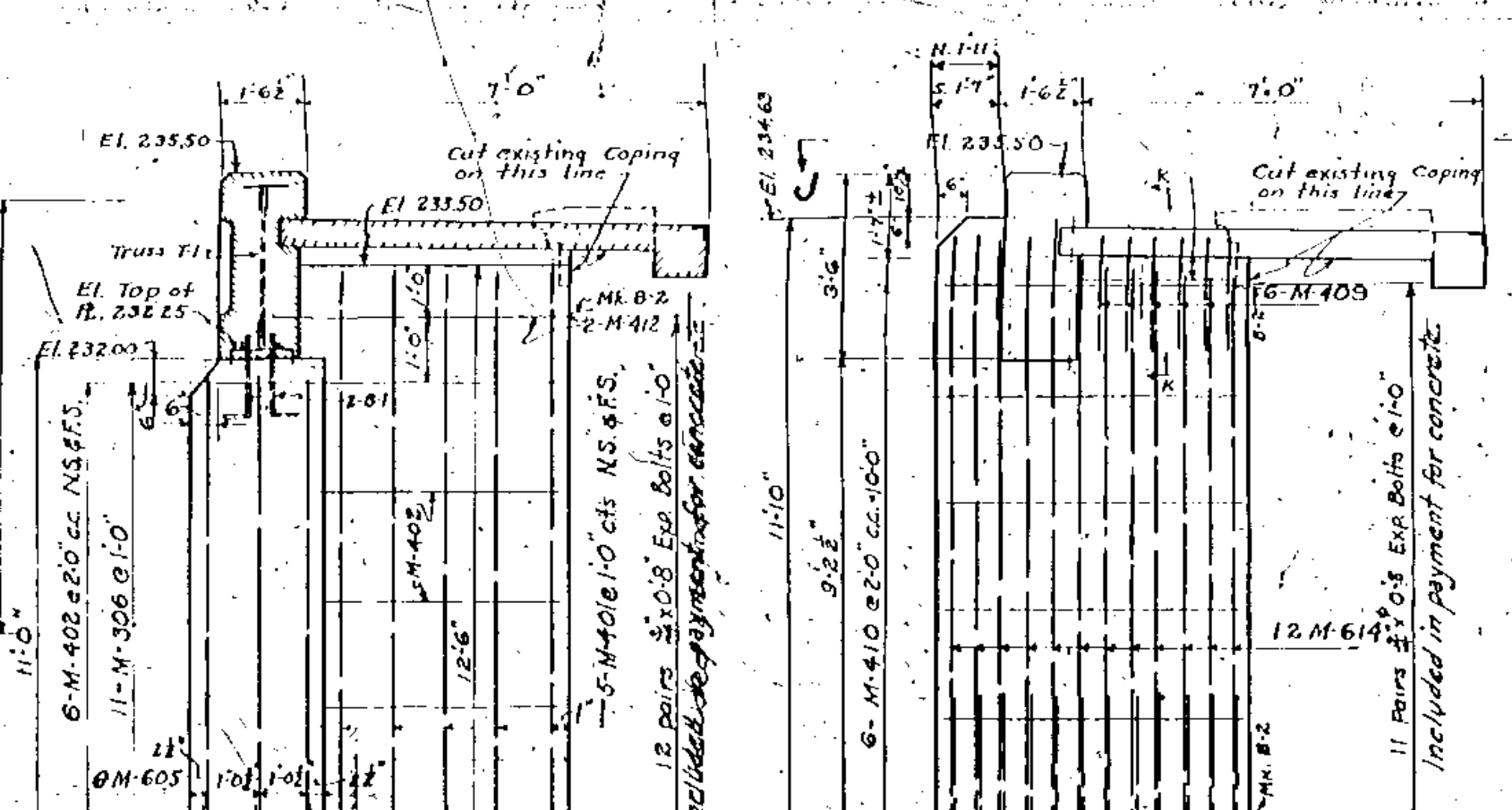
SECTION-G-G (Posts Not Shown)
 SCALE: 1/2" = 1'-0"



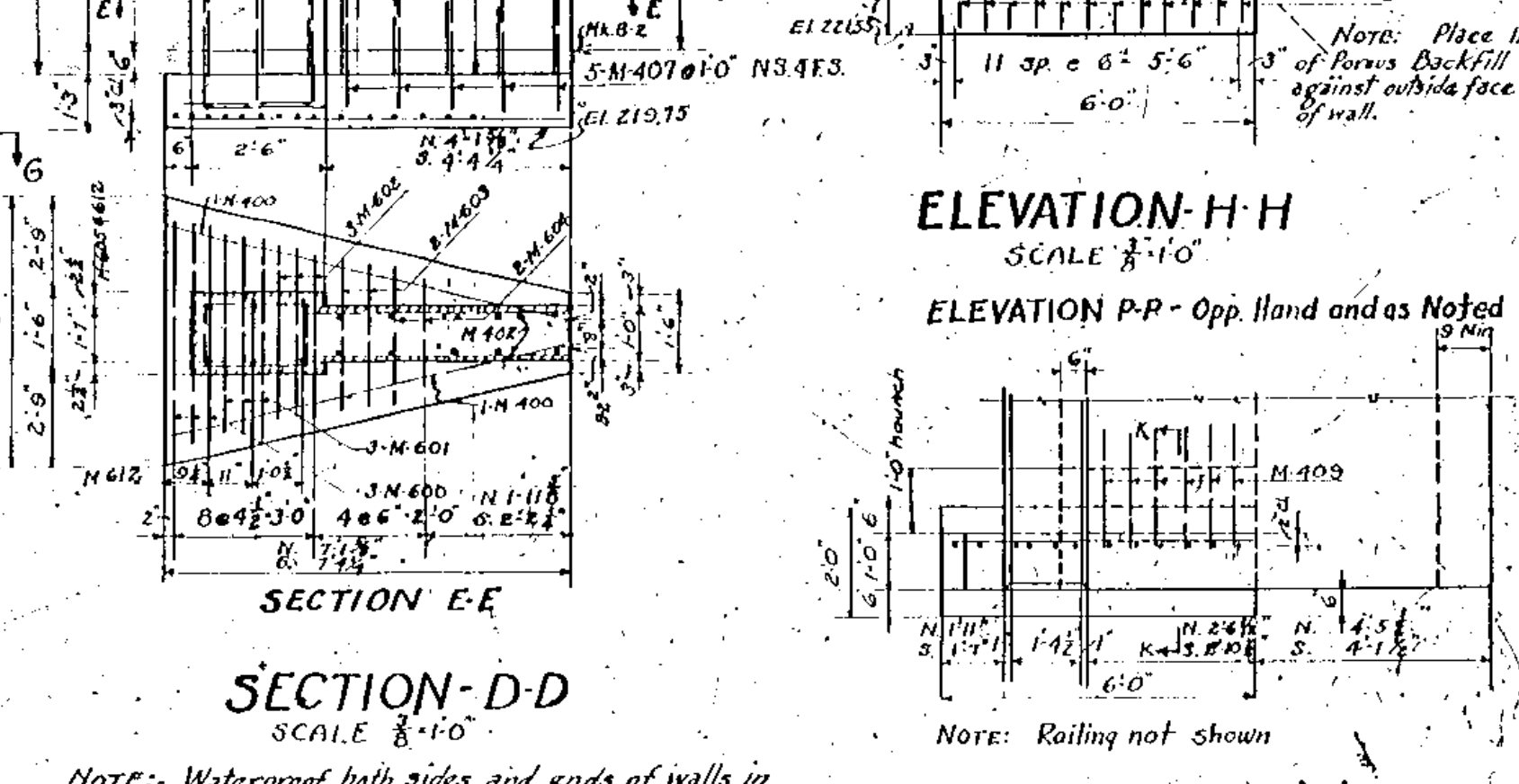
SECTION-A-A
 SCALE: 1/2" = 1'-0"



TRUSS MK. T-1
 2 Required
 1/4 Rivets 1 Comber



SECTION-E-E
 SCALE: 1/8" = 1'-0"

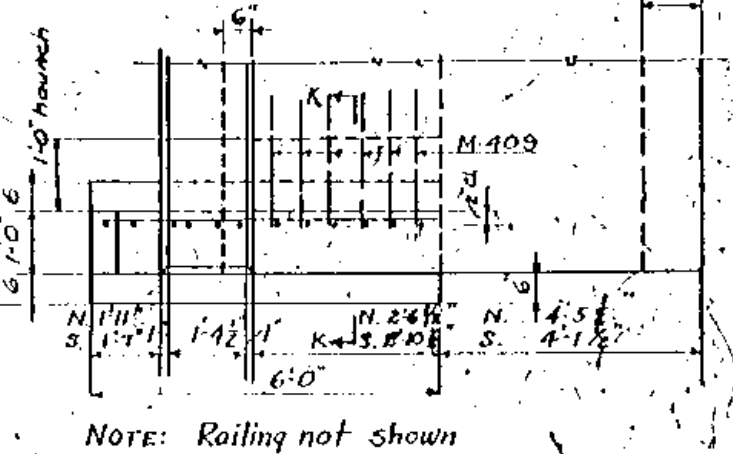


SECTION-D-D
 SCALE: 1/8" = 1'-0"

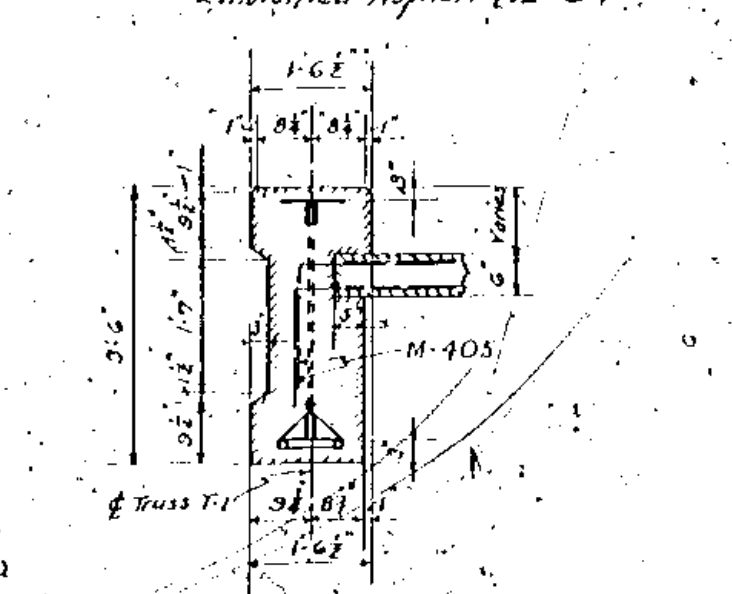
NOTE: Waterproof both sides and ends of walls in Elevation H-H and Section D-D from top of footings to 6" below top of fill with Type 'A' Waterproofing, Emulsified Asphalt AE-5.

ELEVATION H-H
 SCALE: 1/8" = 1'-0"

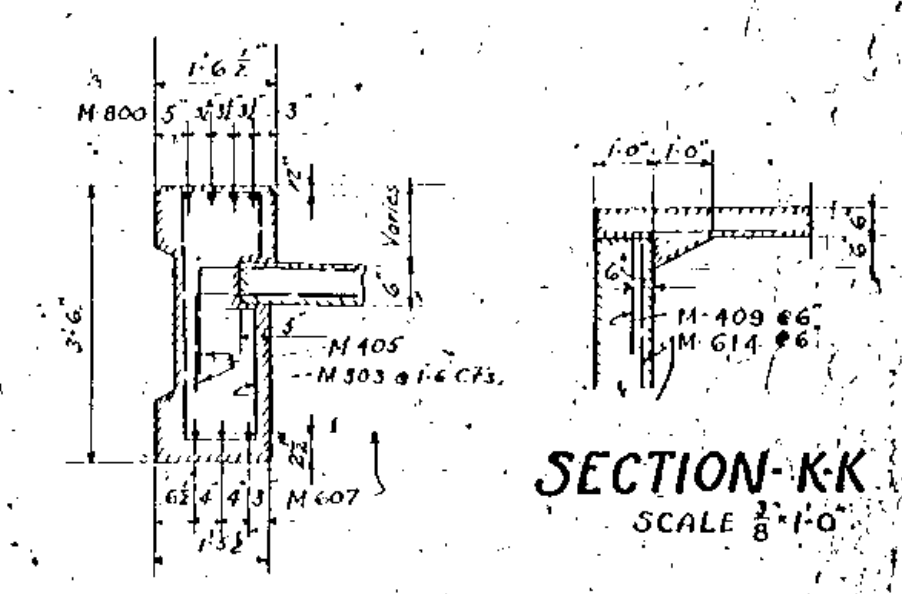
ELEVATION P-P - Opp. Hand and as Noted
 SCALE: 1/8" = 1'-0"



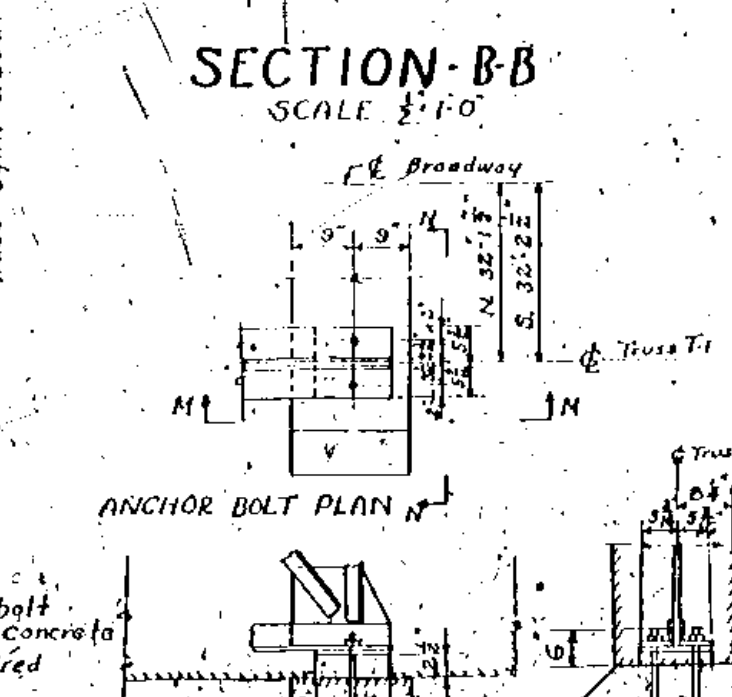
VIEW-J-J
 SCALE: 1/8" = 1'-0"



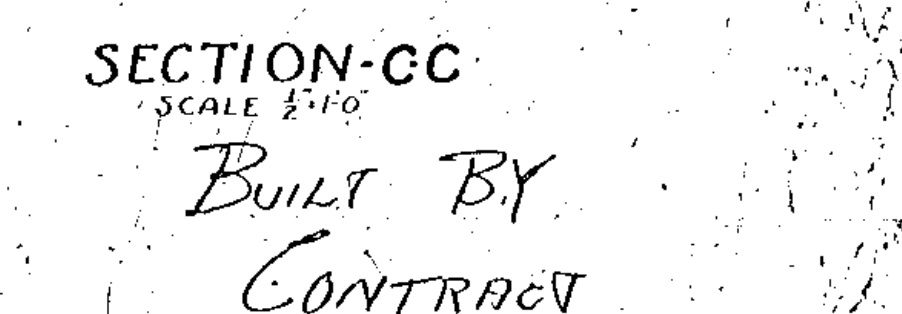
SECTION-B-B
 SCALE: 1/8" = 1'-0"



SECTION-K-K
 SCALE: 1/8" = 1'-0"



ANCHOR BOLT PLAN



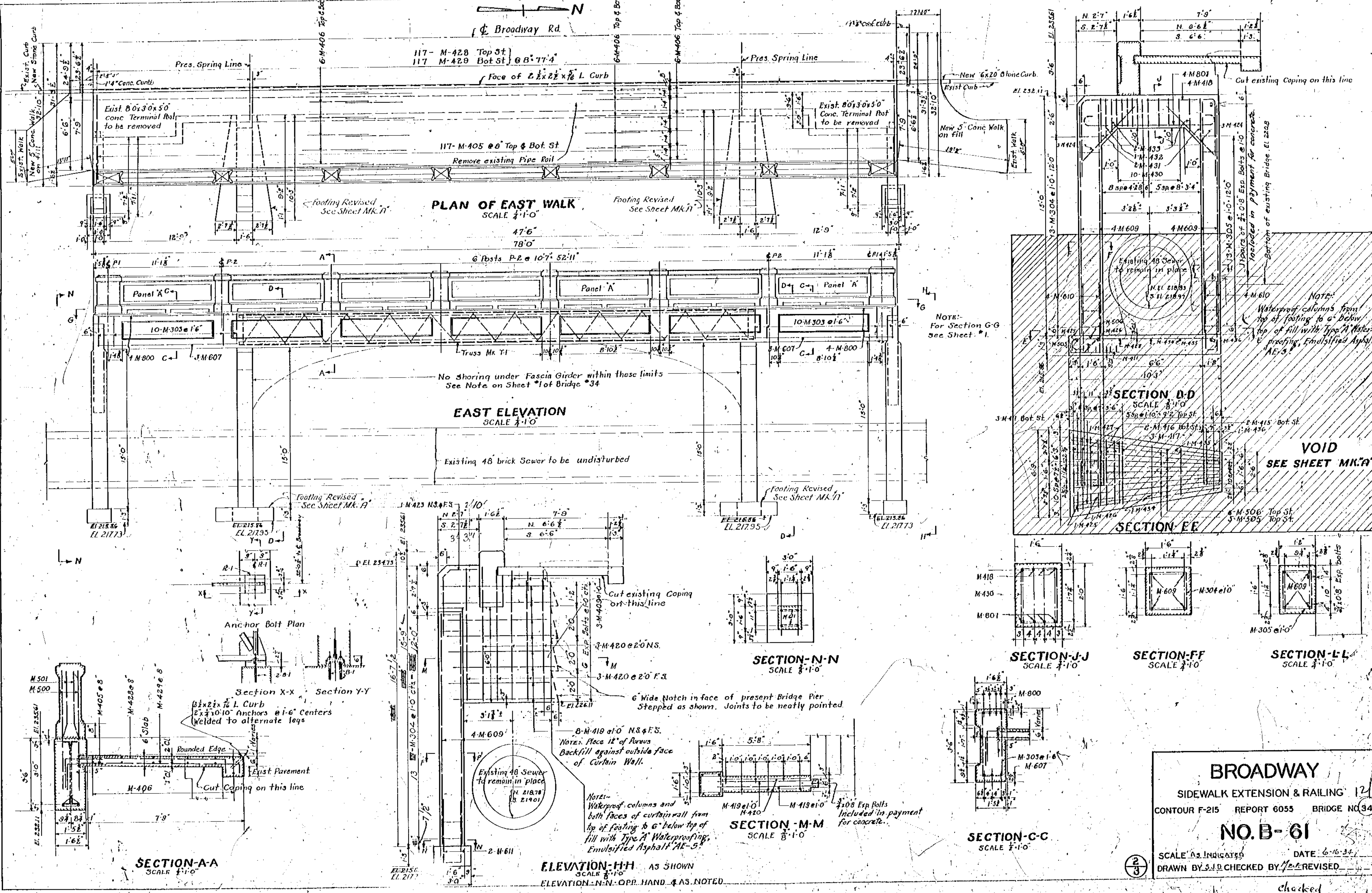
SECTION-C-C
 SCALE: 1/8" = 1'-0"

BUILT BY
 CONTRACT

BROADWAY
 SIDEWALK EXTENSION & RAILING
 CONTOUR F-215 REPORT 6055 BRIDGE NO. 54
NO. B-61
 SCALE AS INDICATED DATE 4-16-31
 DRAWN BY S.D. CHECKED BY [Signature] REVISED
 checked

DATE: _____
 PLAN SURVEYED _____
 ALIGNED _____
 NOTE BOOK _____
 NO. OF PAGES _____

DATE: _____
 PROFILE SURVEYED _____
 PLOTTED _____
 NOTE BOOK _____
 NO. OF PAGES _____

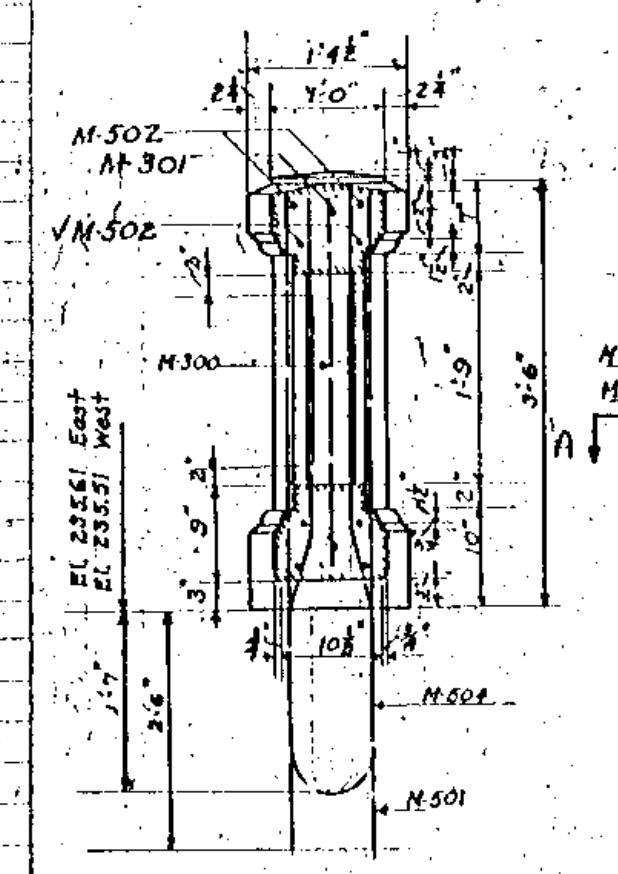
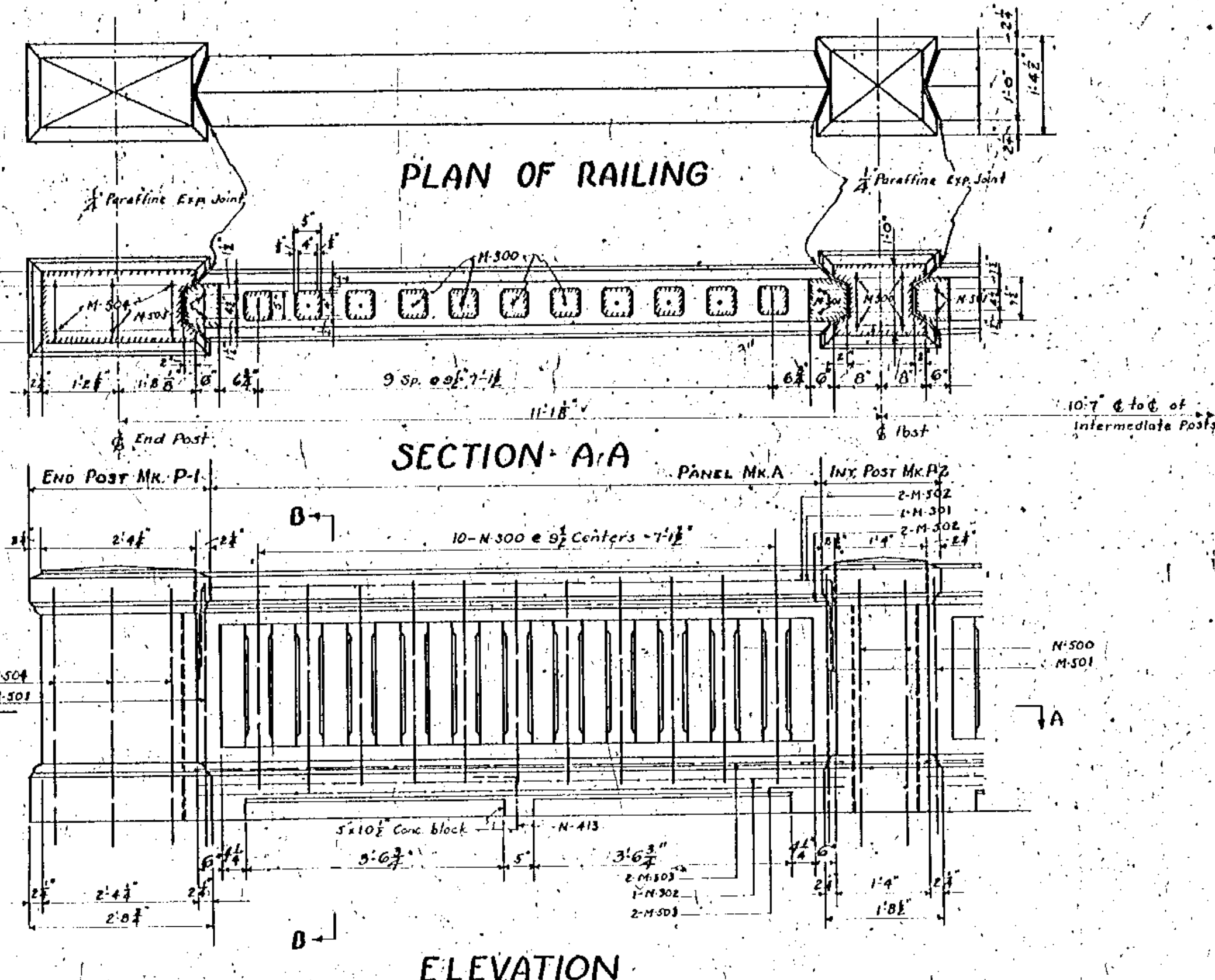


BROADWAY
 SIDEWALK EXTENSION & RAILING 12
 CONTOUR F-215 REPORT 6055 BRIDGE NO. 34
NO. B-61
 SCALE AS INDICATED DATE 6-16-34
 DRAWN BY S.J.D. CHECKED BY J.E.A. REVISED _____

checked

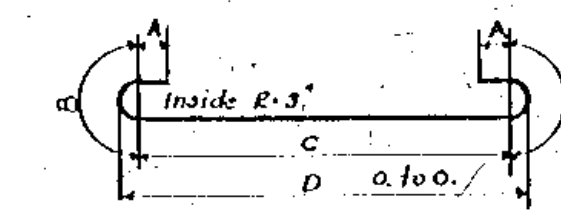
MARK	NO.	SIZE	LENGTH	BEND	LOCATION	MARK	NO.	SIZE	LENGTH	BEND	LOCATION
800	16	1"	21-9"	O	End Span Fascia Beam						
801	8	1"	10-0"	Shown	Bent - East						
600	6	3/4"	7-8"	Shown	Footings - West						
601	6		6-8"			611	4	3/4"	8-11"	Shown	Footings East
602	6		3-10"			612	12		5-11"		" West
603	4		5-2"								
604	4		4-5"								
605	12		10-6"	O	West Piers	614	24		11-2"	O	End Walls - West
607	12		15-2"	Shown	End Span Fascia Beams	615	24		4-9"	Shown	End Footing "
609	24		14-4"	O	Column Steel - East						
610	16		6-11"	Shown	Footing Steel "						
500	48	3/8"	5-19"	O	Rail Post Dowels	415	4	3/8"	17-8"	Shown	Int Footings - East
501	56		5-9"	Shown		416	4		7-3"		
502	56		10-5"		Top Rail	417	6		6-6"		
503	56		9-3"	O	Bottom "	418	8		18-4"		Bent
504	12		10-0"	Shown	Rail Post Dowels	419	32		7-0"	O	End Wall
505	12		11-8"		Int Ftgs East	420	12		7-6"	O	
506	12		11-6"								
						423	4		5-11"	Shown	
						424	12		4-0"	O	Bent
						425	2		6-4"	O	Int Footing
400	4	1/2"	7-0"	O	Footings - West	426	2		5-6"	O	
401	20		12-0"	O	Interior Walls "	427	2		4-10"	O	
402	24		4-0"	O	" "	428	117		7-9"	Shown	Sidewalks - East
403	117		7-8"	Shown	Sidewalks	429	117		8-0"		
404	117		7-0"		" "	430	20		6-4"		Bent
405	168		4-0"		" Dowels	431	4		8-4"		" "
406	96		2-10"	O	" "	432	2		7-8"		" "
407	20		3-10"	Shown	Int Footing West	433	4		7-0"		" "
409	18		4-2"	Shown	End Walls E.W.	434	2		4-0"	O	Int Footing East
410	12		5-6"	O	" West	435	2		3-3"	O	" "
411	0		1-4"	O	Int Footing East	436	2		2-6"	O	" "
412	4		5-4"	O	Interior Wall "						
413	28		4-2"	Shown	Rail Dowels						
300	140	3/8"	3-0"	O	Railing Spindles	304	56	3/8"	5-6"	Shown	Columns East
301	14		11-4"	Shown	Top Rail	305	26		4-10"		" West
302	14		5-3"	O	Bottom Rail	306	22		7-5"		" "
303	40		7-5"	Shown	End Span fascia beam						

NOTE: All dimensions given are to ϕ of bars except as noted.

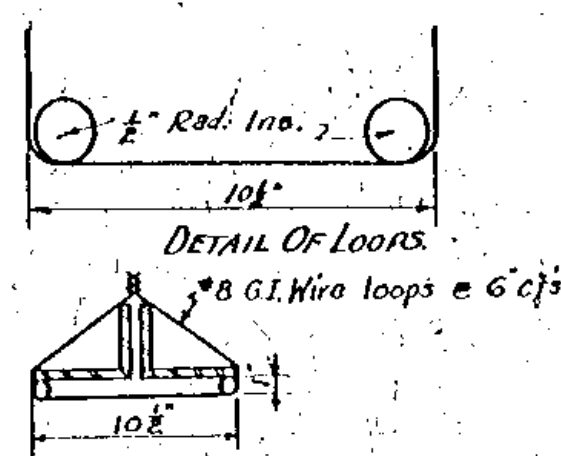
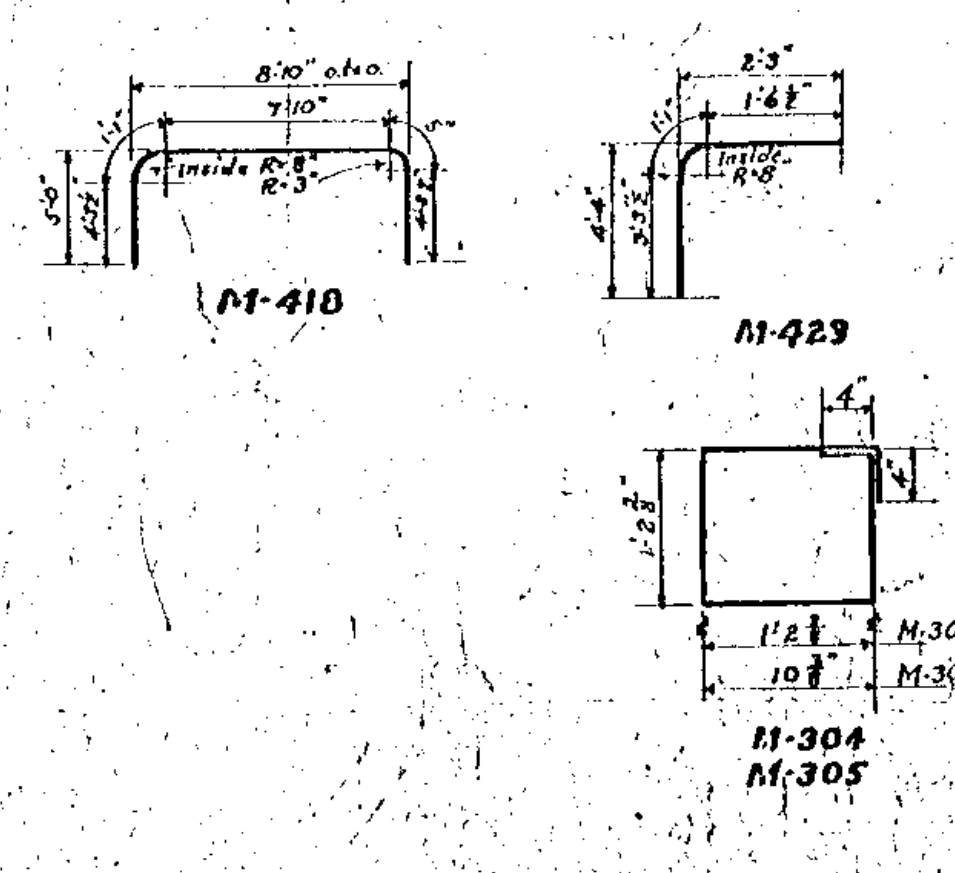


DETAILS OF SIDEWALK RAILINGS

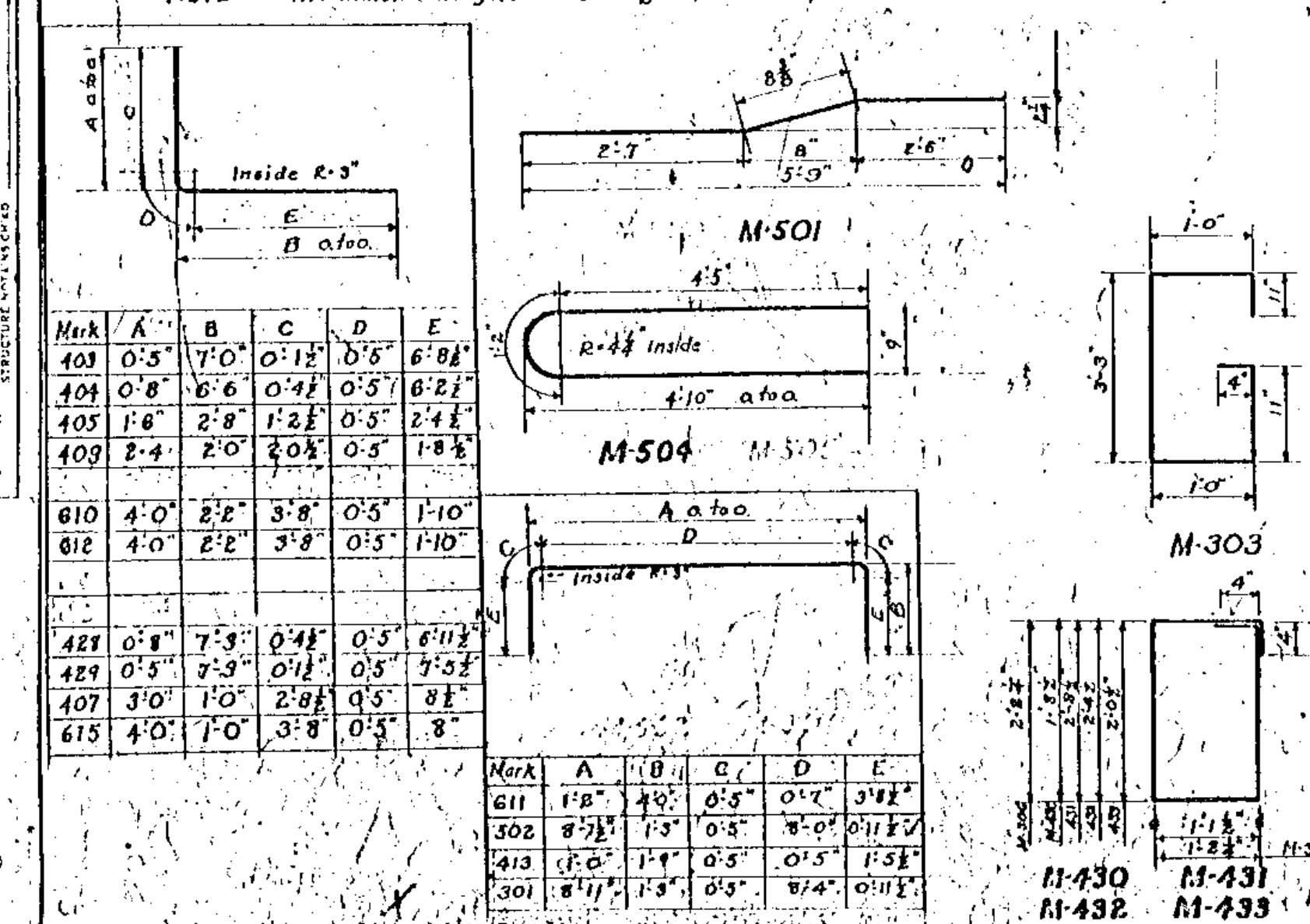
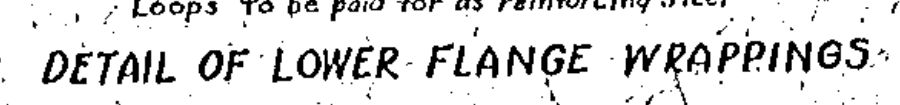
NOTE: Top and Bottom Rails and Posts shall be cast in place. Spindles may be pre-cast in which case they shall be cast long enough to project 1/2" into top and bottom rails.



Mark	A	B	C	D
600	3"	10 1/2"	5 1/2"	6'-0"
601	3"	10 1/2"	4-4 1/2"	5'-0"
602	3"	10 1/2"	3-6 1/2"	4'-2"
603	3"	10 1/2"	2-10 1/2"	3'-6"
604	3"	10 1/2"	2-1 1/2"	2'-9"
506	3"	10 1/2"	9-2 1/2"	9'-10"
415	5"	10 1/2"	5-5"	6'-0"
416	3"	10 1/2"	5-0"	5'-7"
417	3"	10 1/2"	4-3"	4'-10"
801	4"	11"	7-6"	8'-2"
607	3"	10 1/2"	12-10 1/2"	15'-8"



Loops to be paid for as reinforcing steel



BUILT BY CONTRACT

BROADWAY
GARFIELD HEIGHTS CITY
 SIDEWALK EXTENSION & RAILING
 STA. 32+82 - 3282 S.E. OF CLEVE. CITY LIMITS
 CONTOUR F-215 REPORT 6055 BRIDGE NO. 13

NO. B-61

SCALE AS INDICATED DATE 6/16/39
 DRAWN BY J.L. CHECKED BY M.E. REVISED