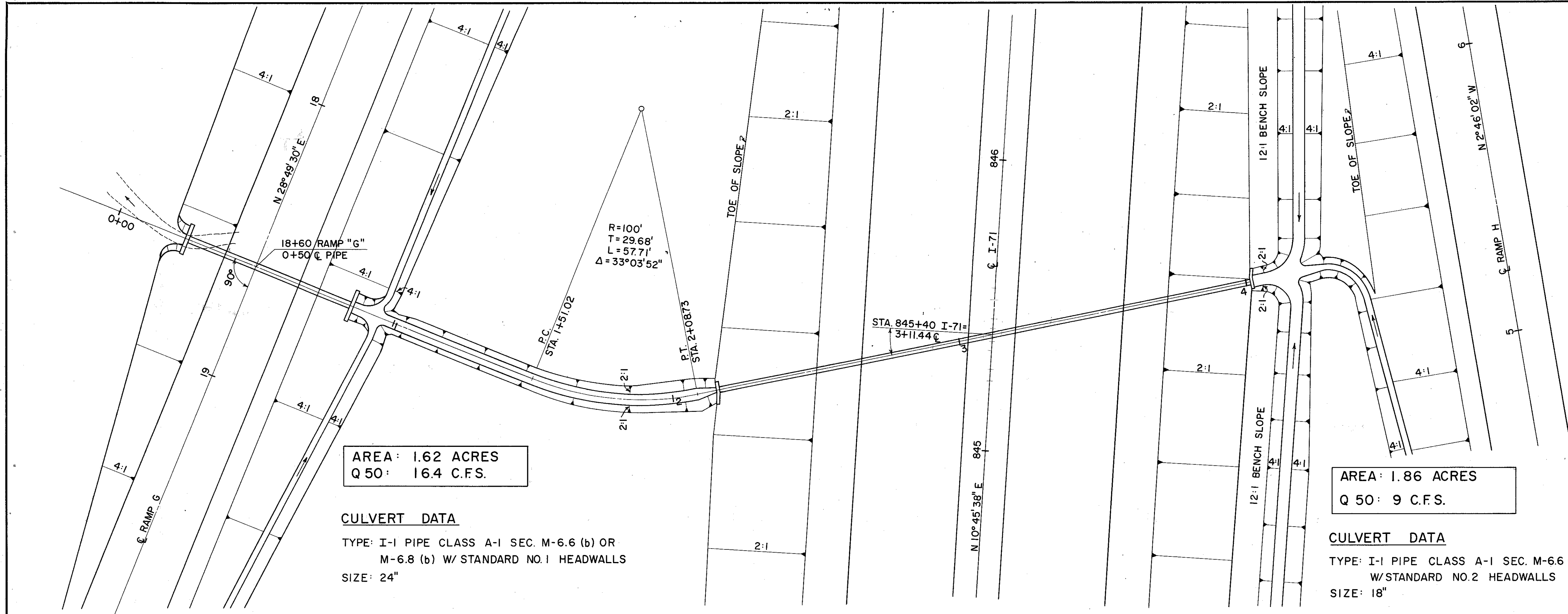
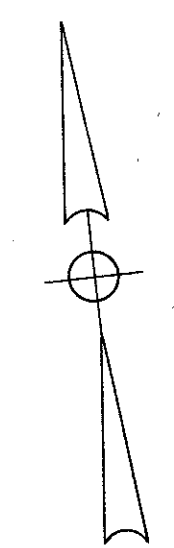


CUYAHOGA COUNTY
CUY — 71-5.72



AREA: 1.62 ACRES
Q 50: 16.4 C.F.S.

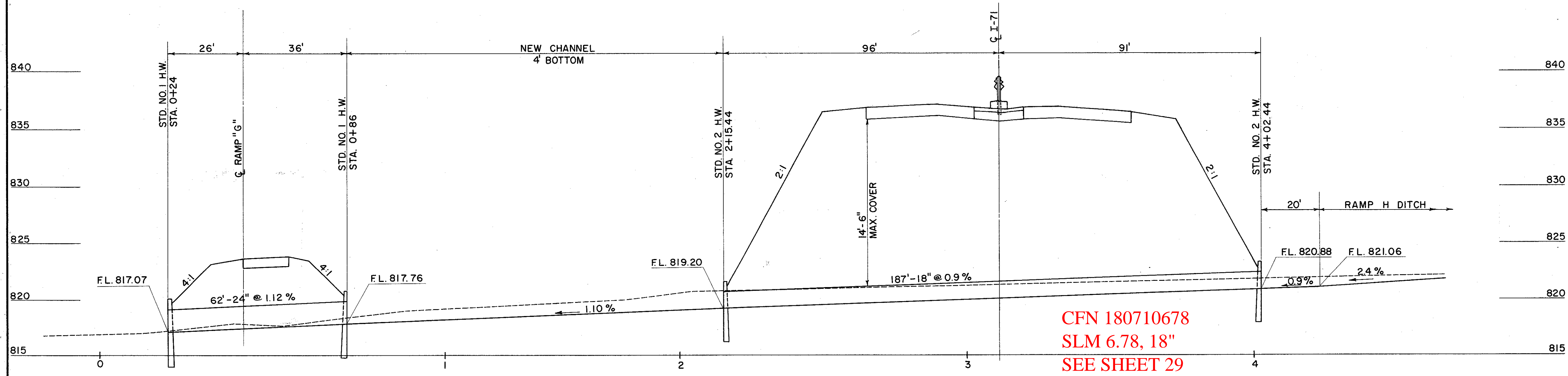
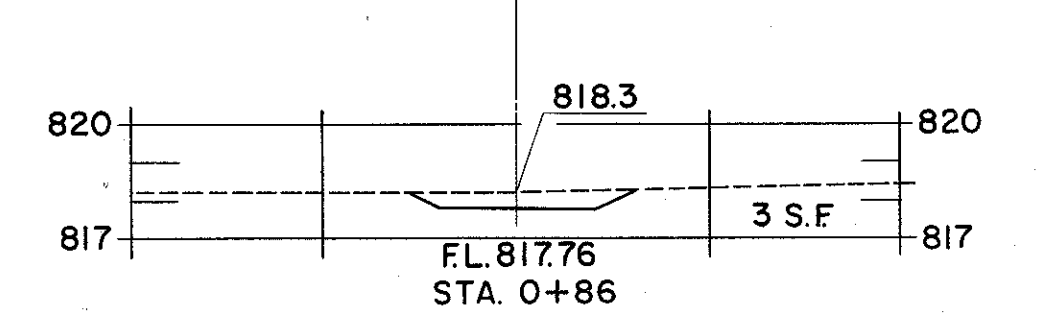
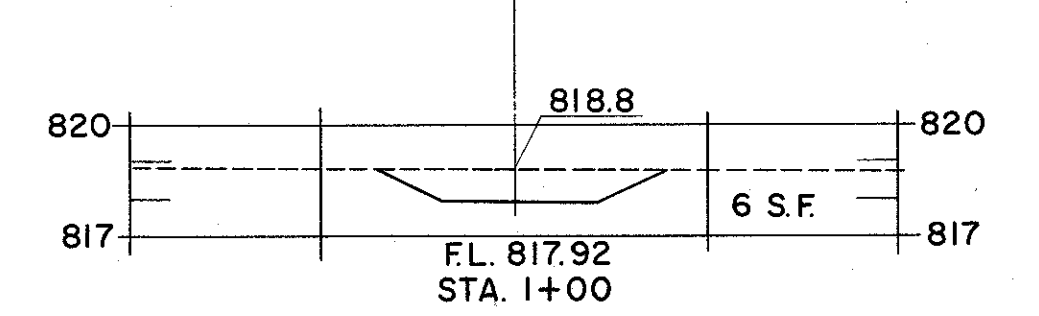
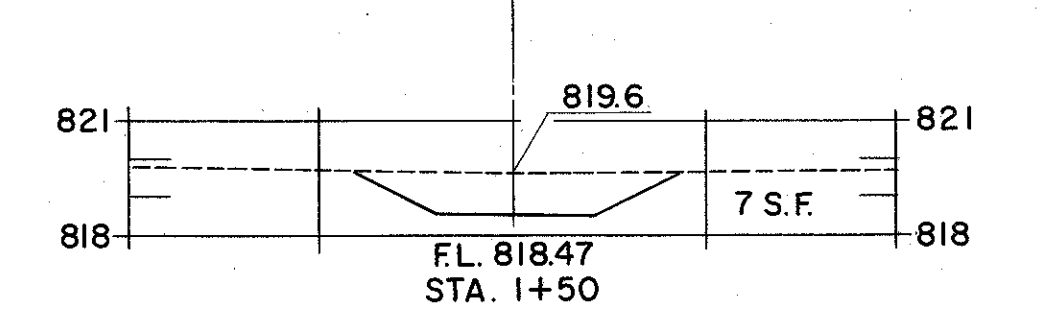
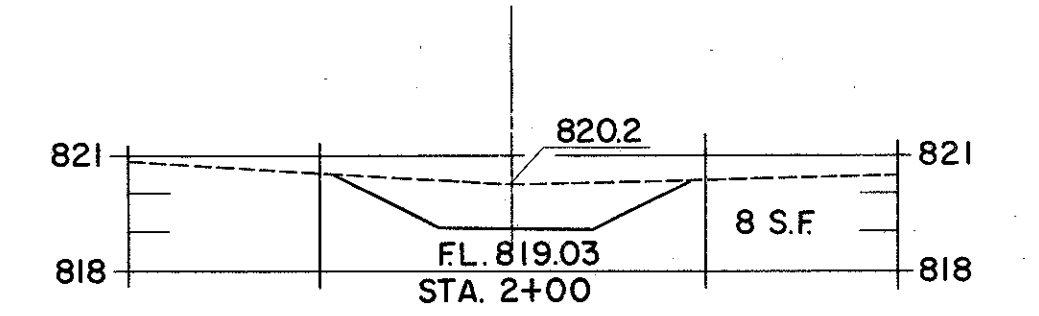
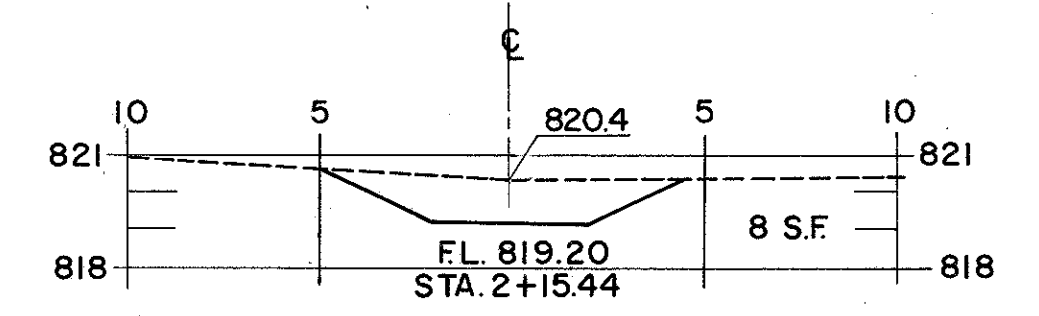
CULVERT DATA
TYPE: I-1 PIPE CLASS A-1 SEC. M-6.6 (b) OR M-6.8 (b) W/ STANDARD NO. 1 HEADWALLS
SIZE: 24"

ESTIMATED QUANTITIES
E-3 CHANNEL EXCAVATION: 33 C.Y.
I-1 PIPE: 62 L.F.
I-2 MASONRY: 6.6 C.Y.
L-10 SODDING: 7 S.Y.

AREA: 1.86 ACRES
Q 50: 9 C.F.S.

CULVERT DATA
TYPE: I-1 PIPE CLASS A-1 SEC. M-6.6 (C) W/ STANDARD NO. 2 HEADWALLS
SIZE: 18"

ESTIMATED QUANTITIES
E-3 CHANNEL EXCAVATION: 4 C.Y.
I-1 PIPE: 187 L.F.
I-2 MASONRY: 3.6 C.Y.
L-10 SODDING: 8 S.Y.



CFN 180710679
SLM 6.78, 24"
SEE SHEET 41

CFN 180710678
SLM 6.78, 18"
SEE SHEET 29

PACE ASSOCIATES OF OHIO
4500 EUCLID AVE. CLEVELAND 3, OHIO

MEDINA FREEWAY
CULVERT DETAILS
STA. 18+60 RAMP G
STA. 845+40 I-71

| SCALE | | DATE | | | | |
|----------|-------|--------|---------|----------|------|---------|
| DESIGNED | DRAWN | TRACED | CHECKED | REVIEWED | DATE | REVISED |
| | | | | | | |