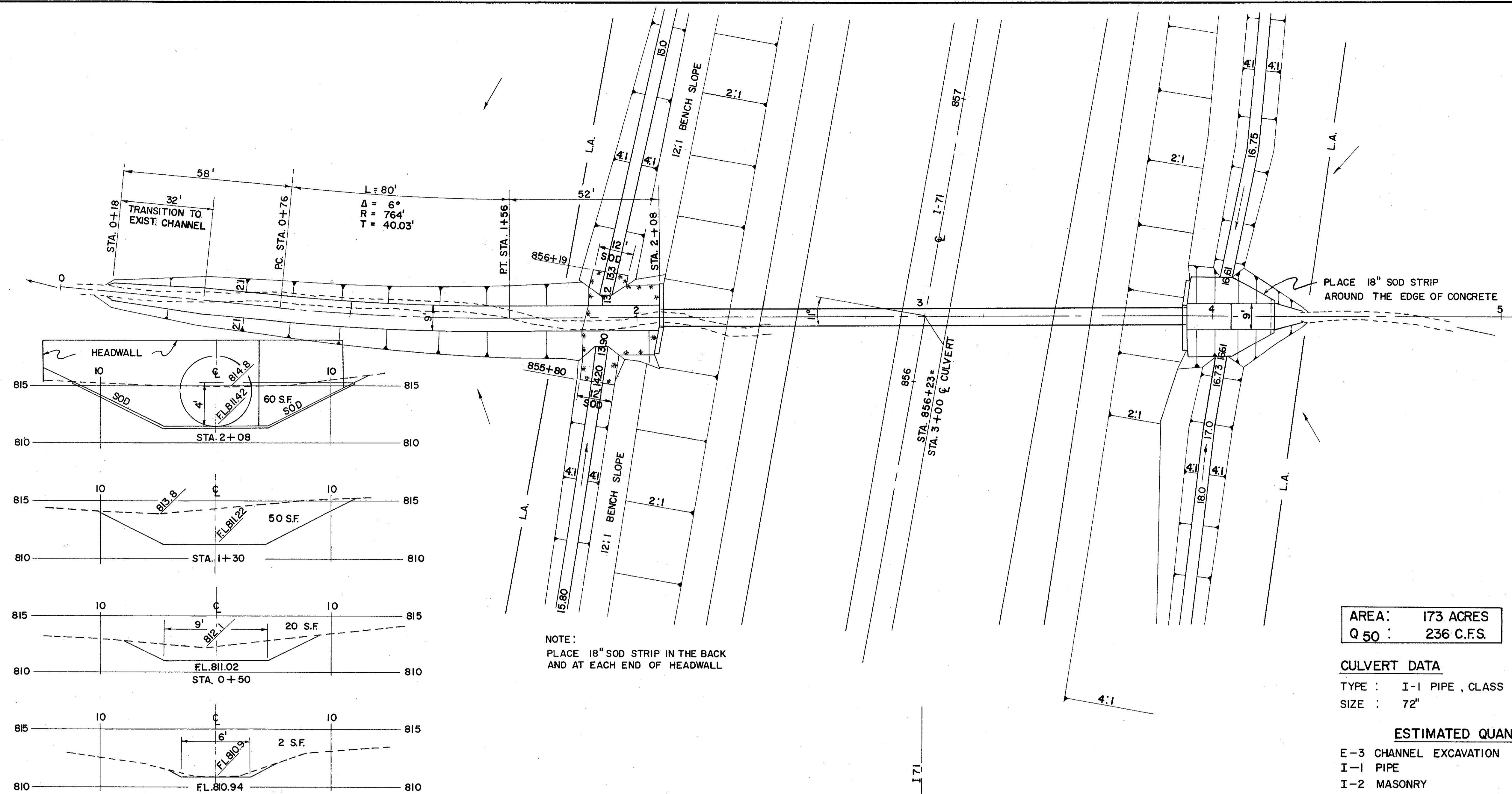


CUYAHOGA COUNTY
CUY. — 71-5.72



NOTE:
PLACE 18" SOD STRIP IN THE BACK AND AT EACH END OF HEADWALL

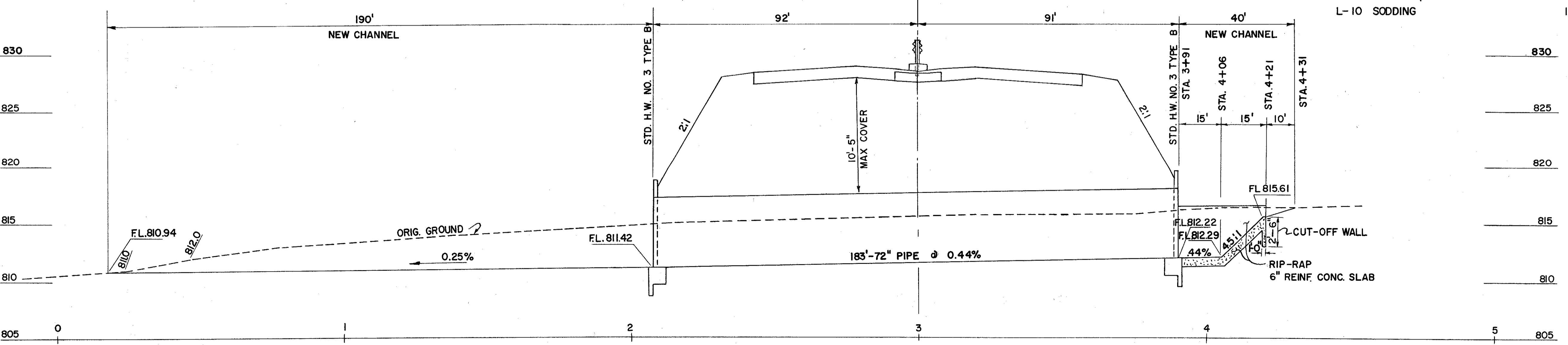
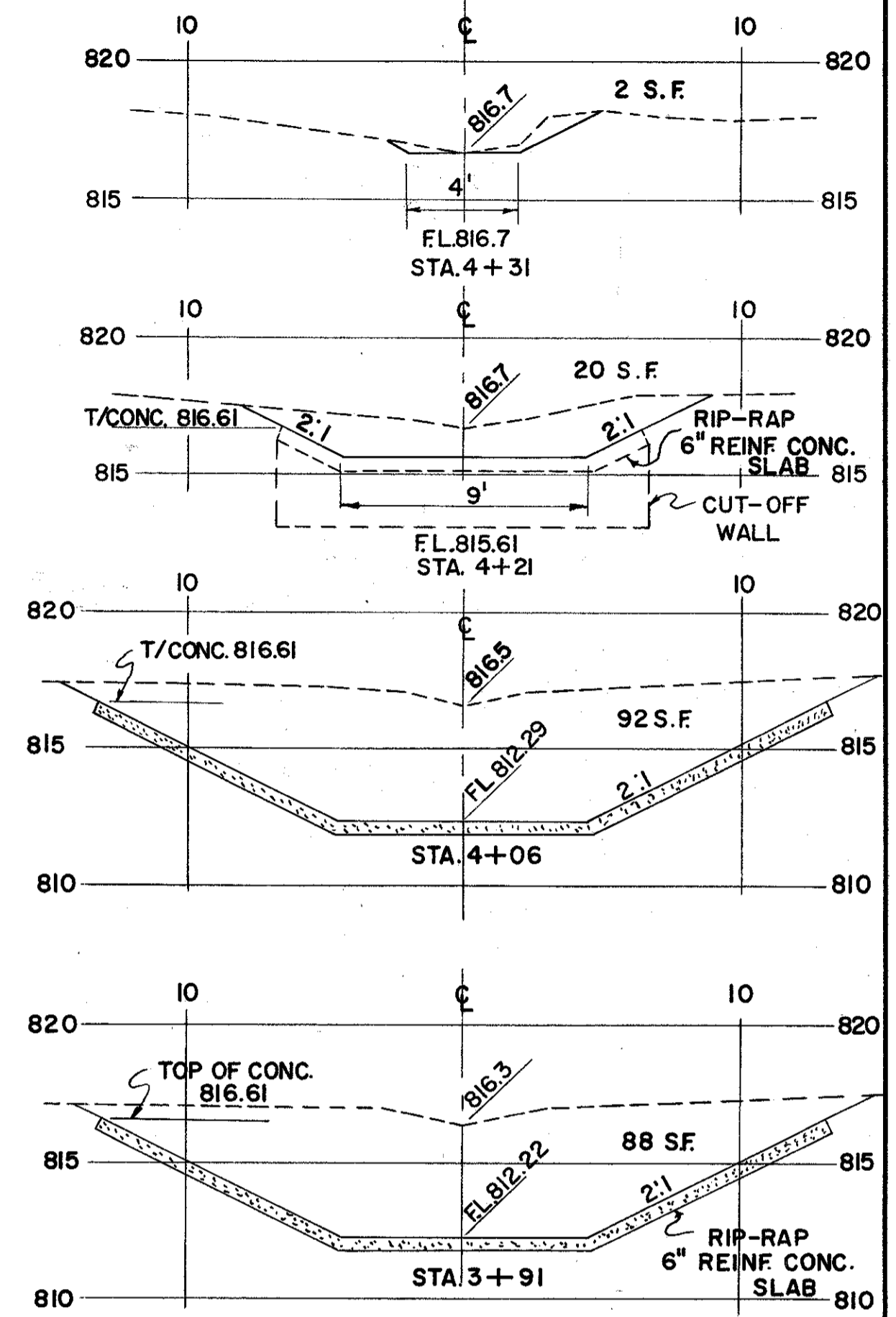
AREA: 173 ACRES
Q 50: 236 C.F.S.

CULVERT DATA

TYPE: I-1 PIPE, CLASS A-1 SEC. M-66(b) W/STD. NO. 3 HEADWALLS, TYPE B
SIZE: 72"

ESTIMATED QUANTITIES

E-3 CHANNEL EXCAVATION	362 C.Y.
I-1 PIPE	183 L.F.
I-2 MASONRY	356 C.Y.
I-10 RIP-RAP, 6" REINF. CONC. SLAB	83 S.Y.
L-10 SODDING	116 S.Y.



CFN 180710699
SLM 7.01, 72"
SEE SHEET 30

PACE ASSOCIATES OF OHIO
4500 EUCLID AVE. CLEVELAND 3, OHIO

MEDINA FREEWAY I-71
CULVERT DETAILS
STA. 856+23

SCALE	DATE
DESIGNED	DRAWN
TRACED	CHECKED
REVIEWED	DATE
REVISOR	REVISION