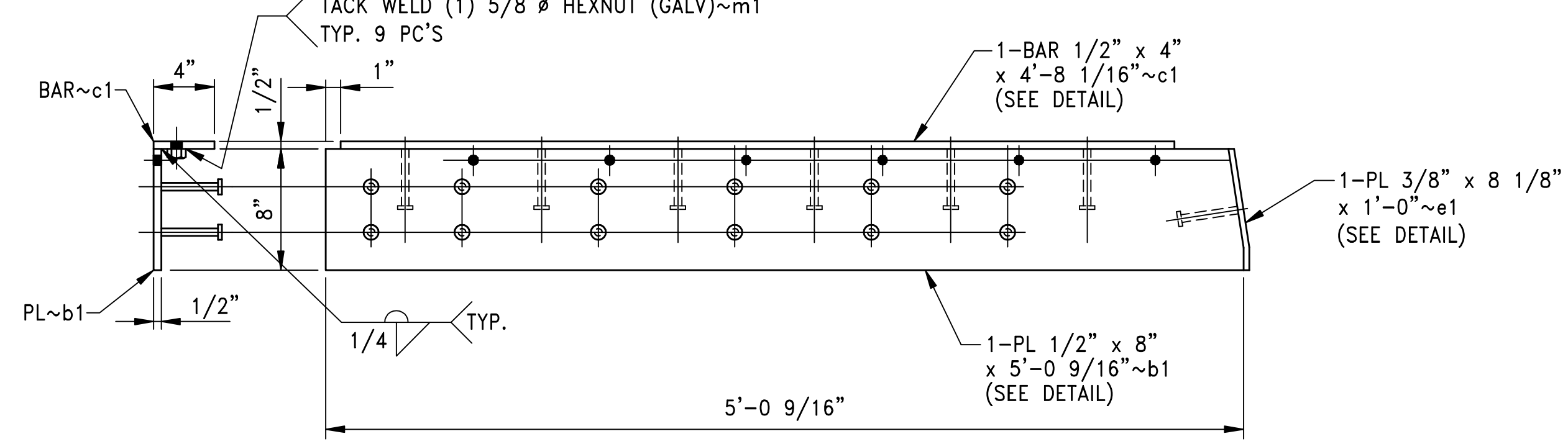
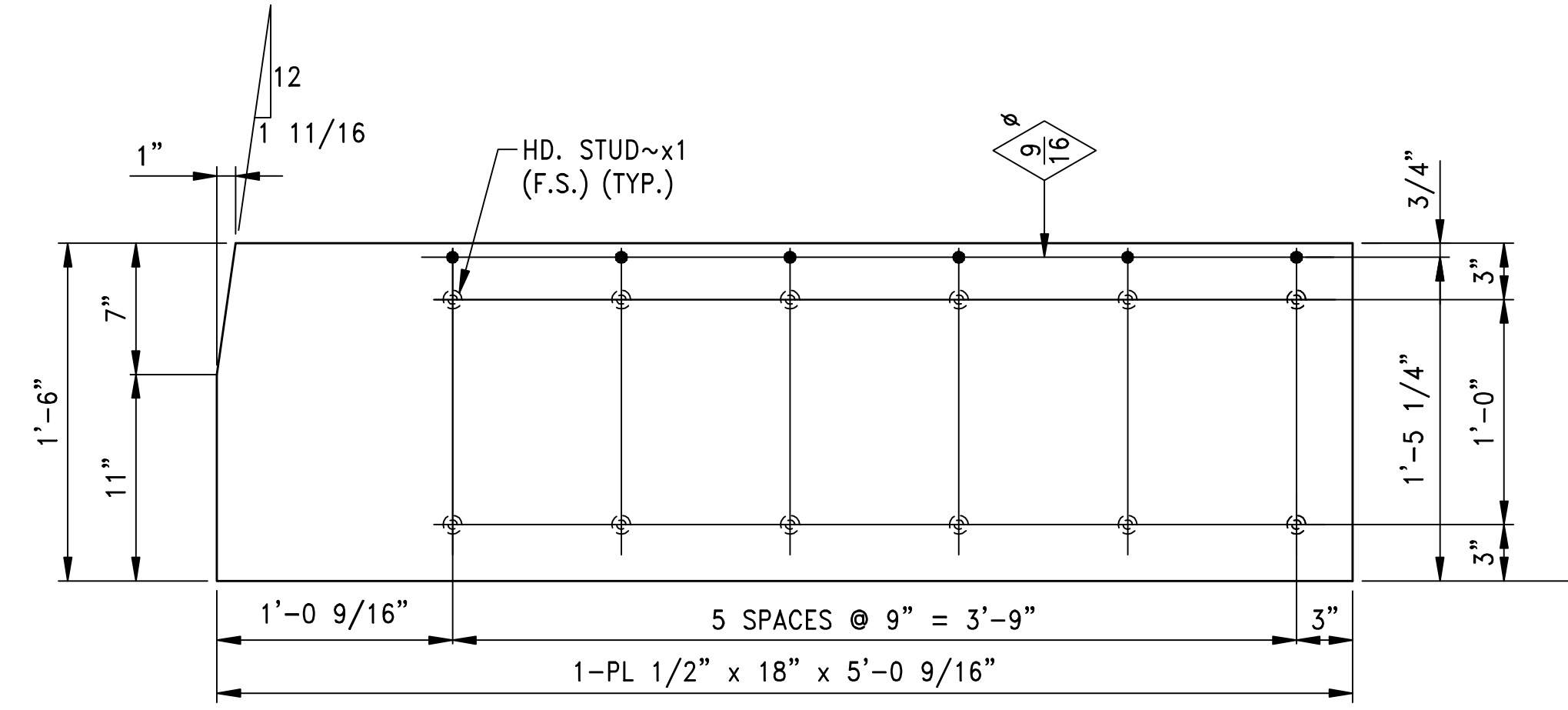


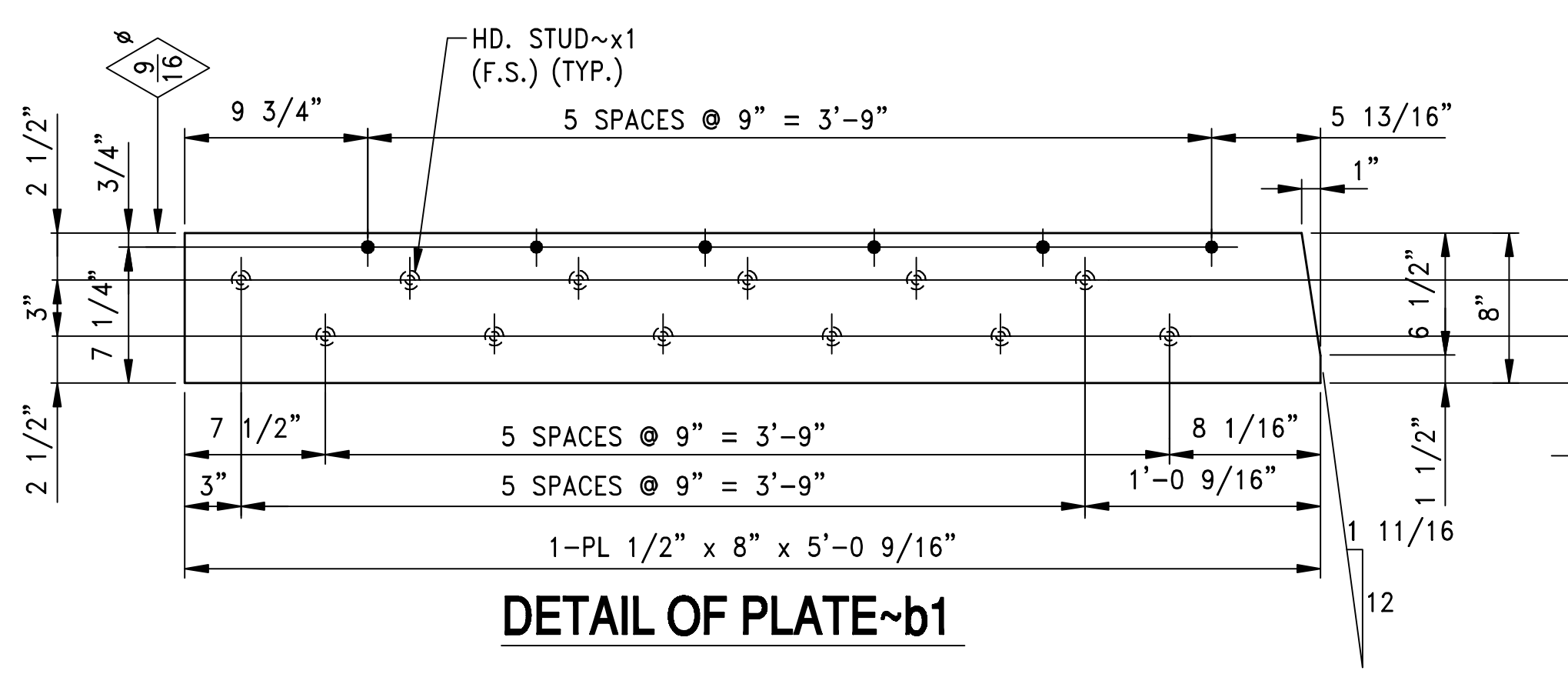
2 - PLATE RETAINERS -1M1



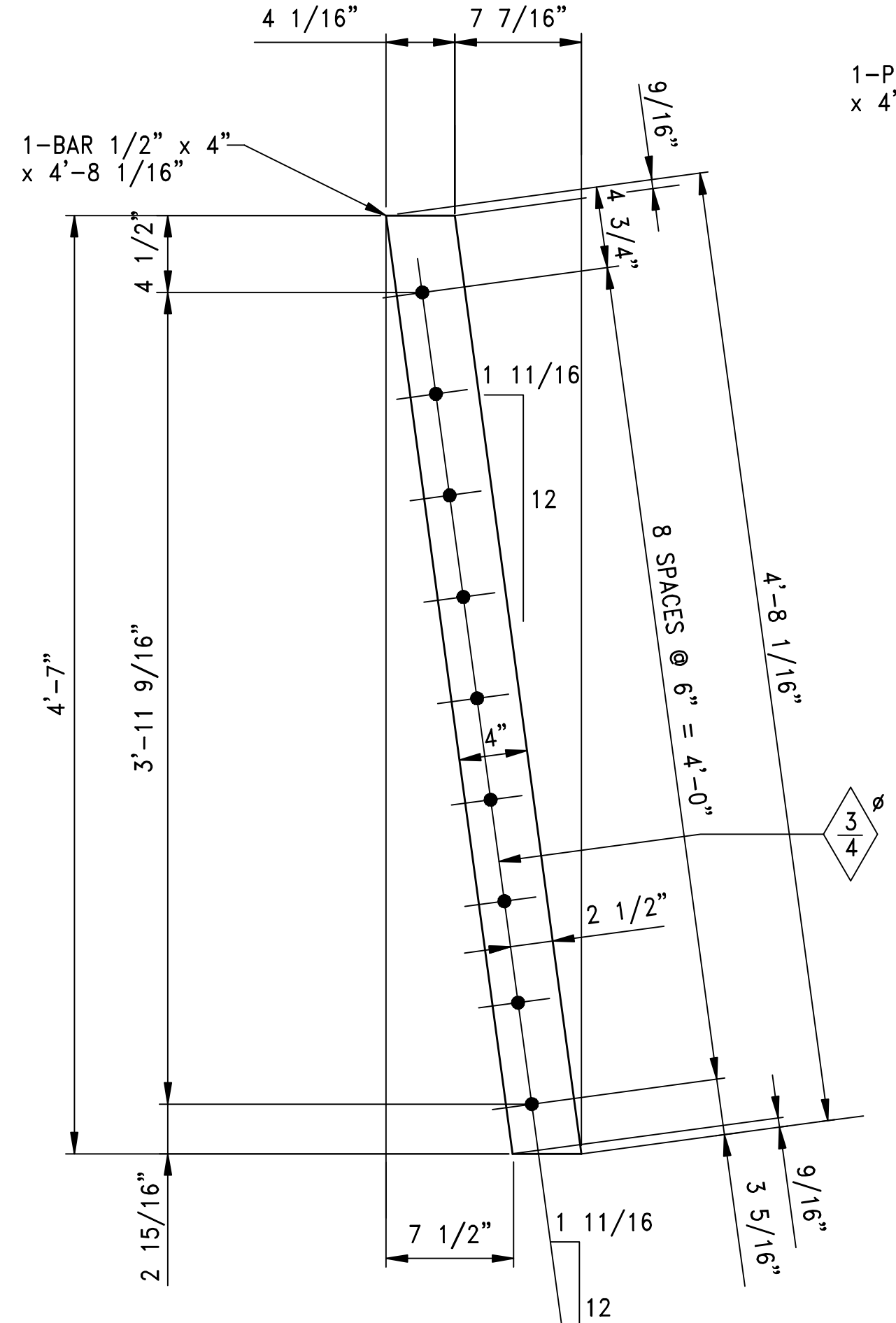
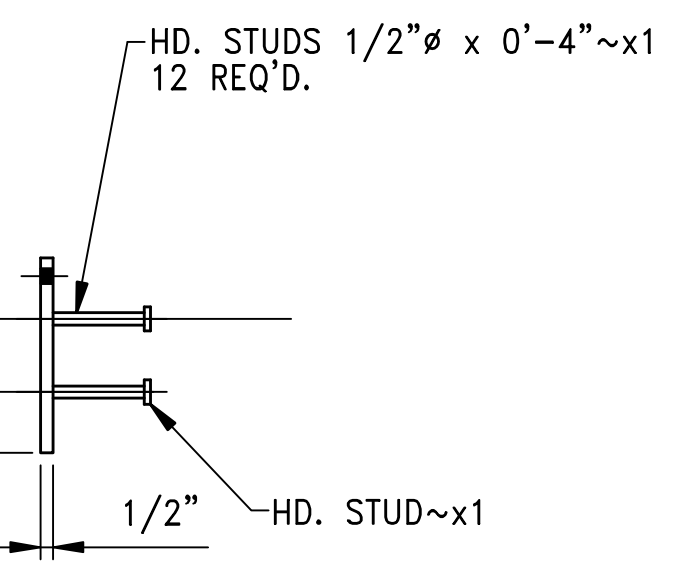
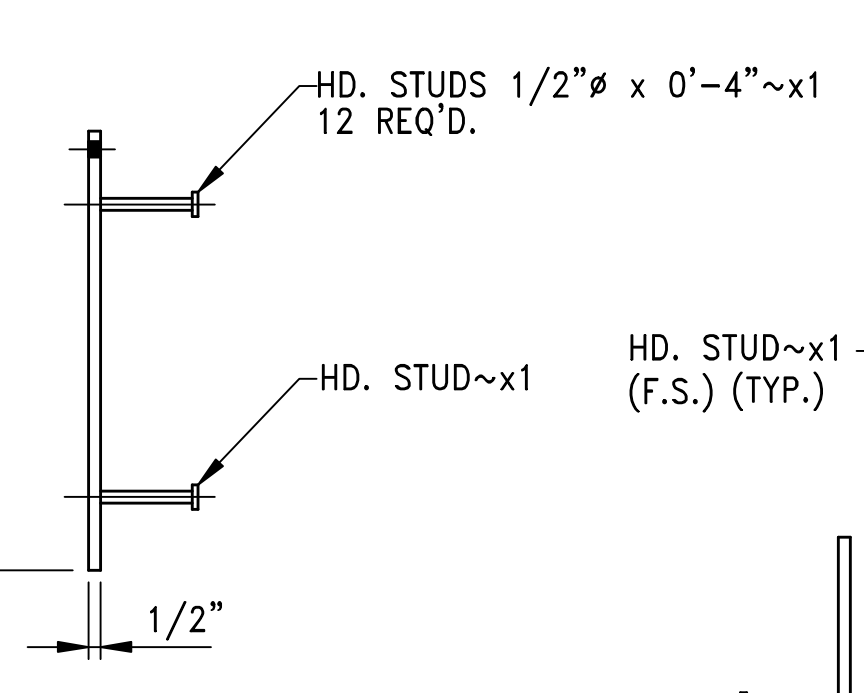
2 - PLATE RETAINERS -1M2



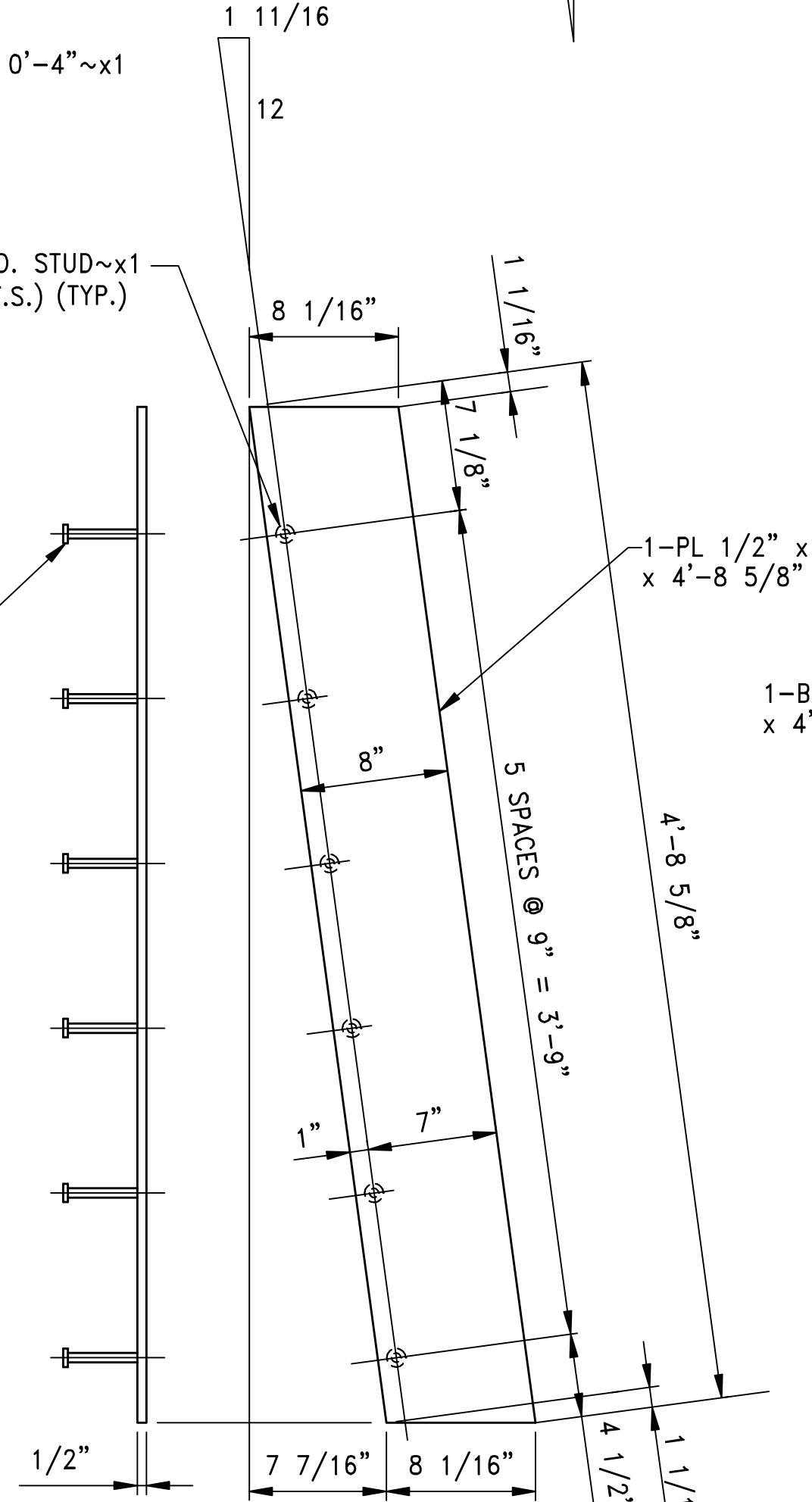
DETAIL OF PLATE~a1



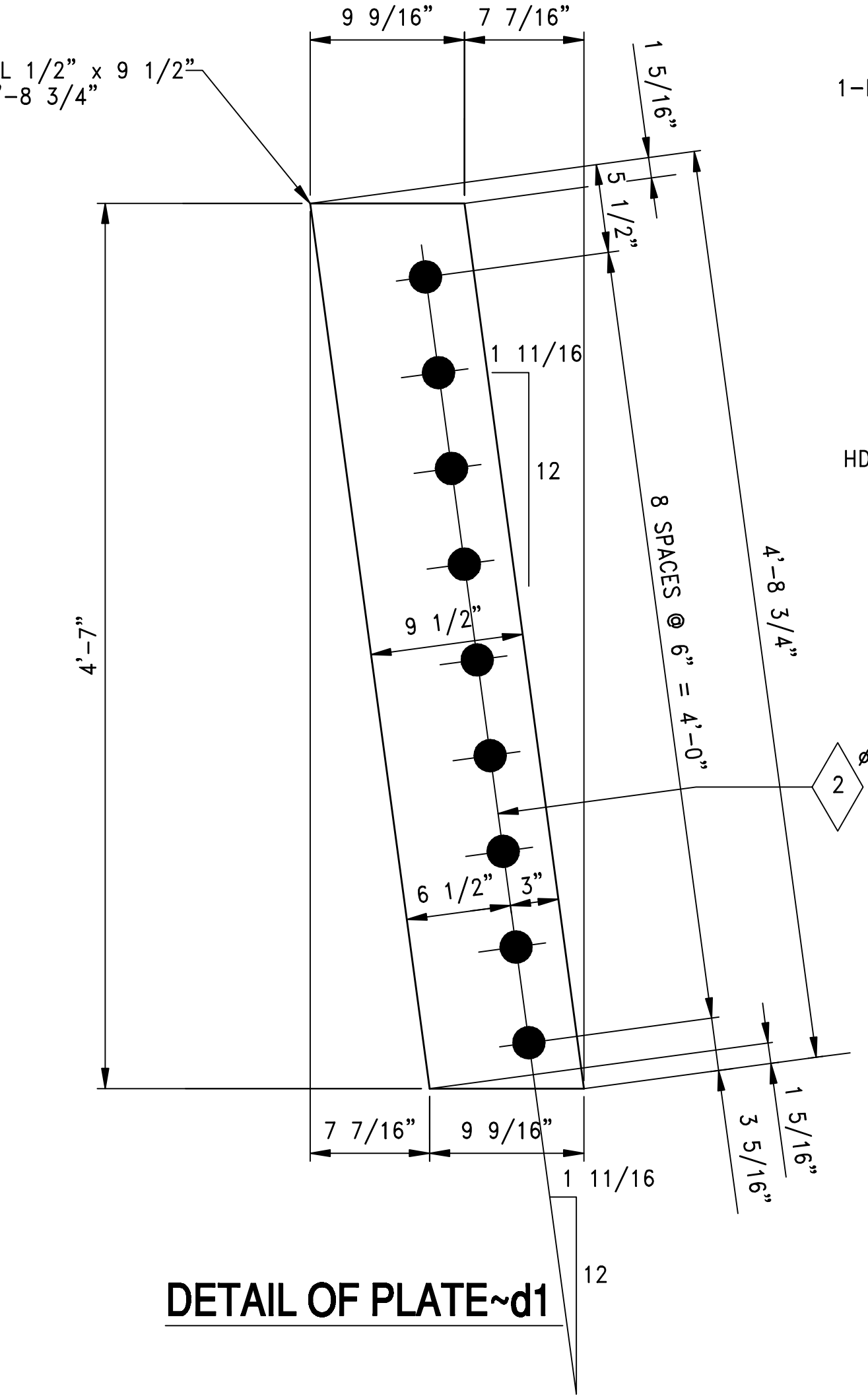
DETAIL OF PLATE~b1



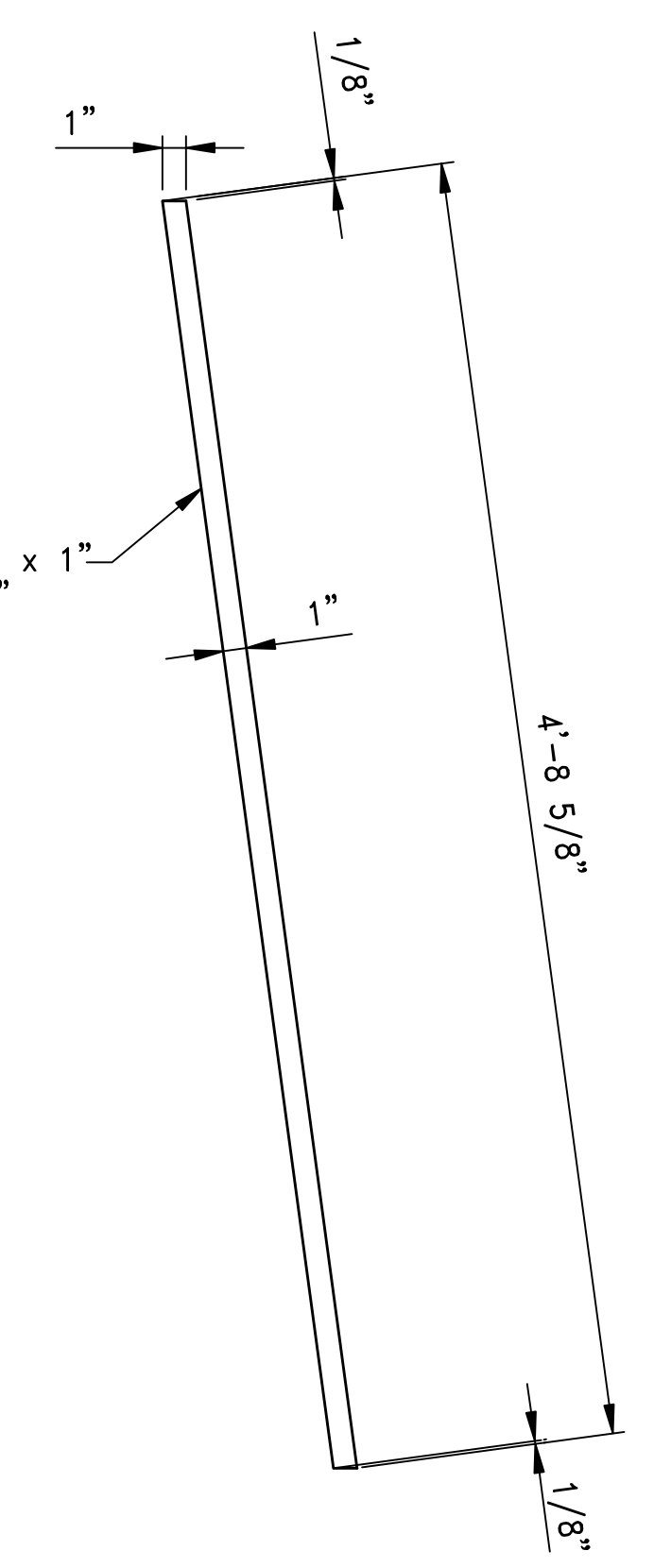
DETAIL OF BAR~c1



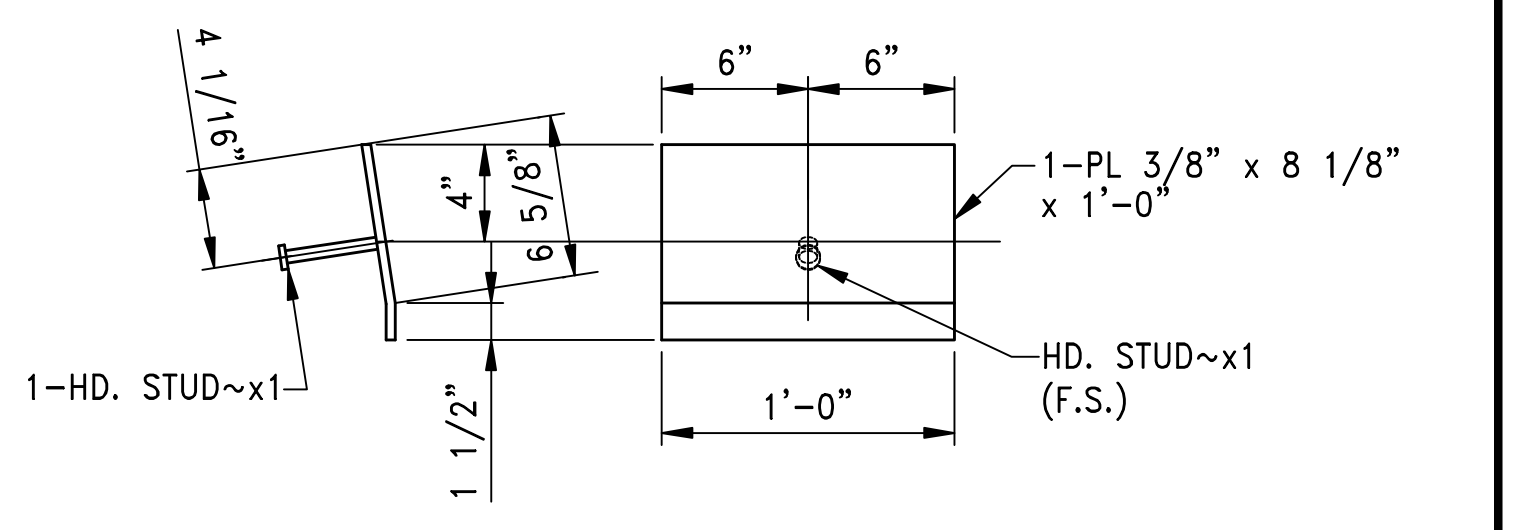
DETAIL OF PLATE~k1



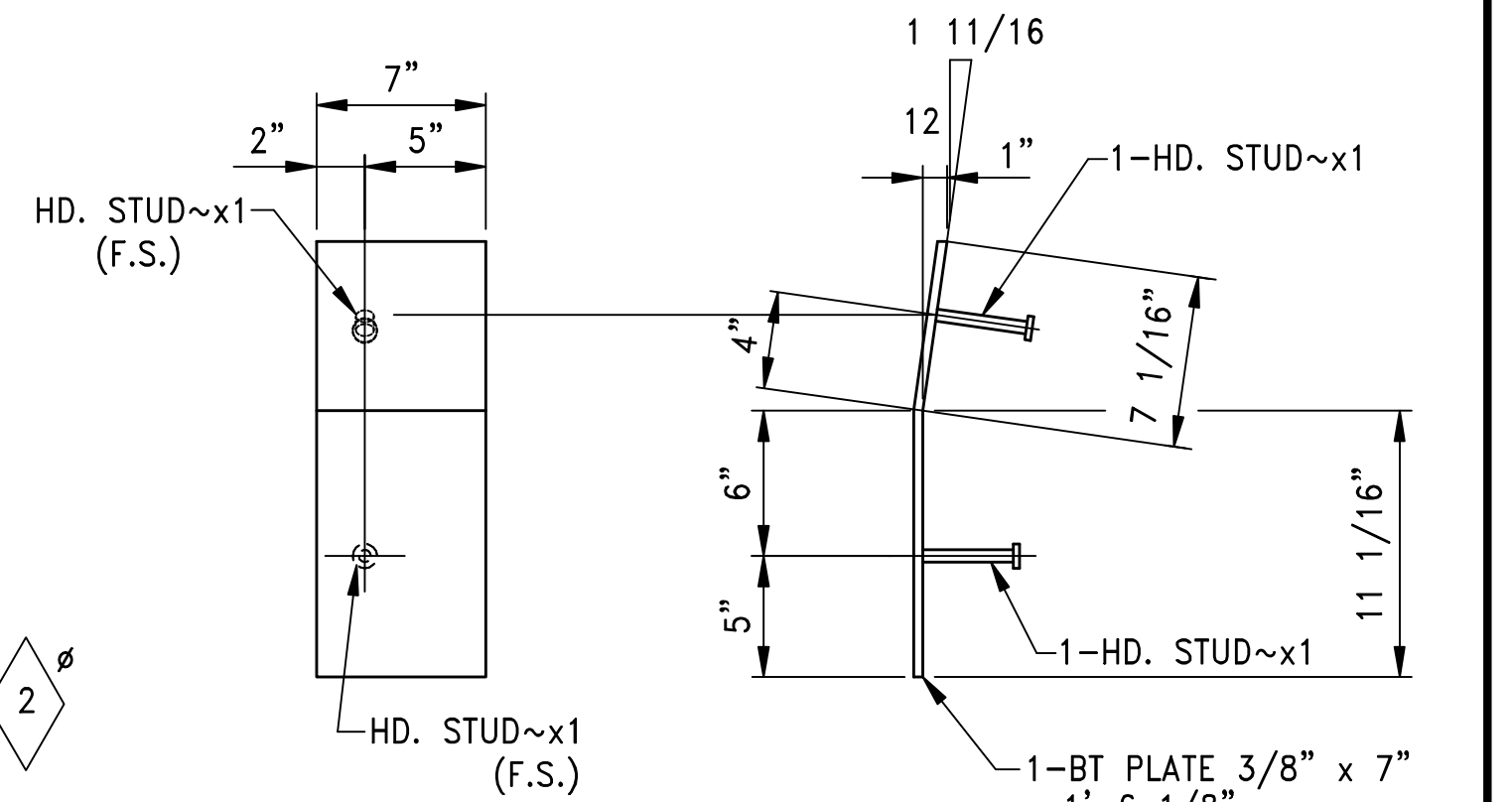
DETAIL OF PLATE~d1



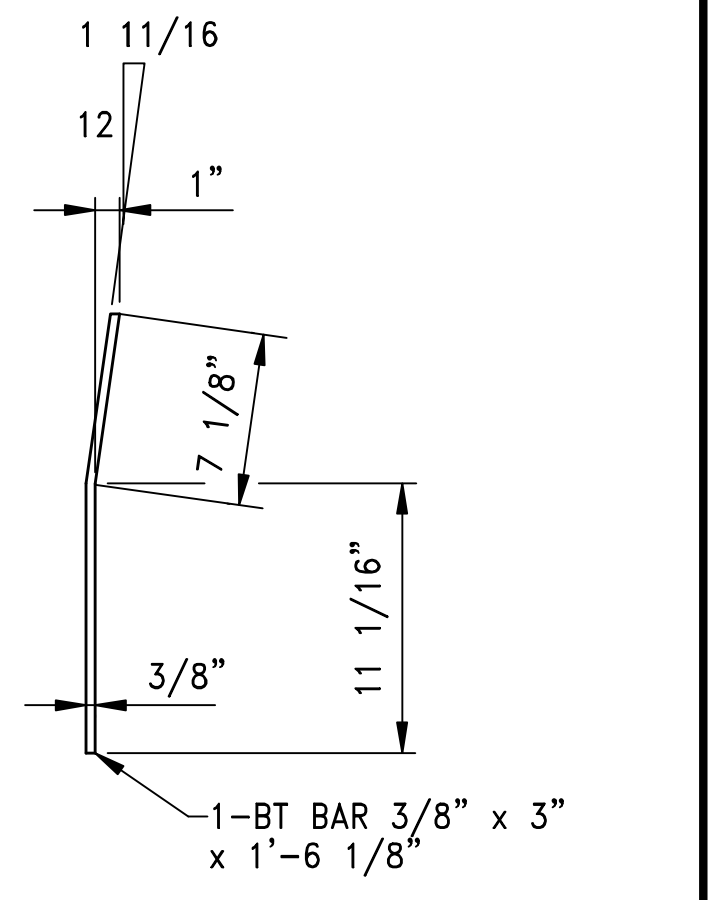
DETAIL OF BT BAR~h1



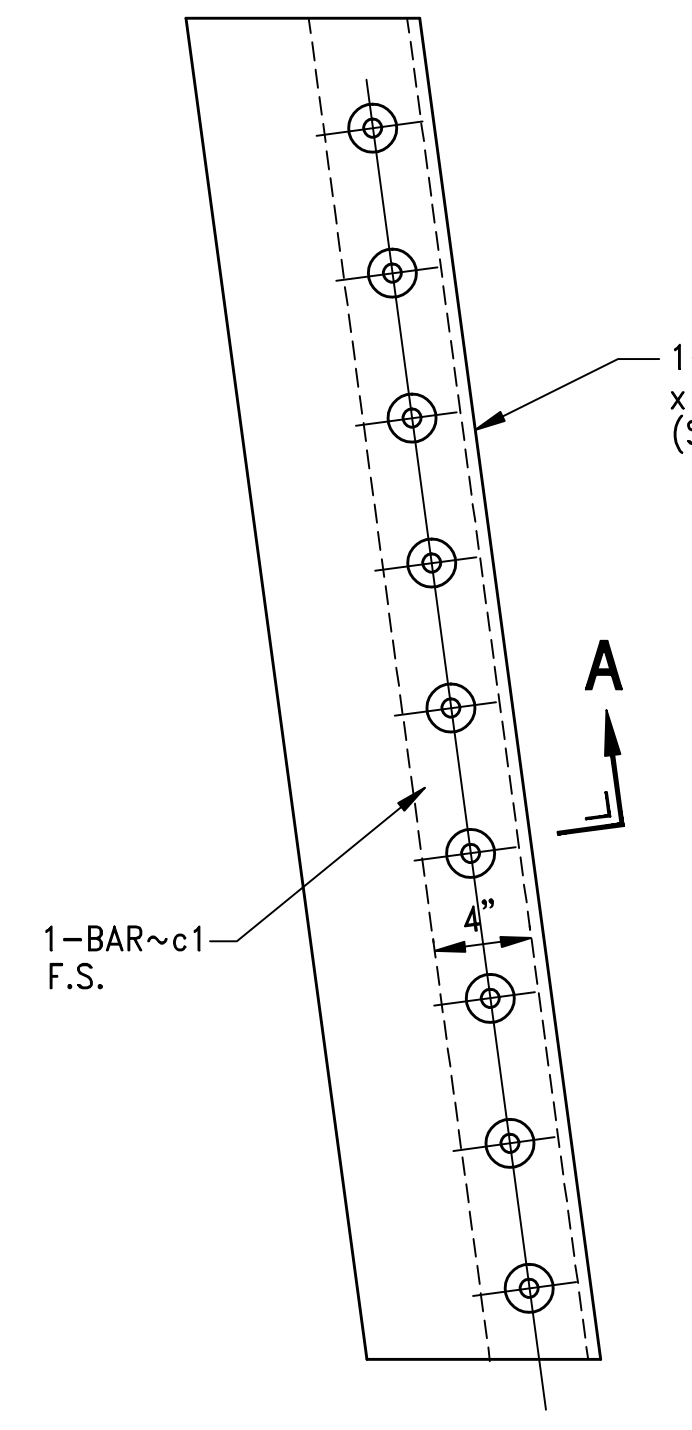
DETAIL OF PLATE~e1



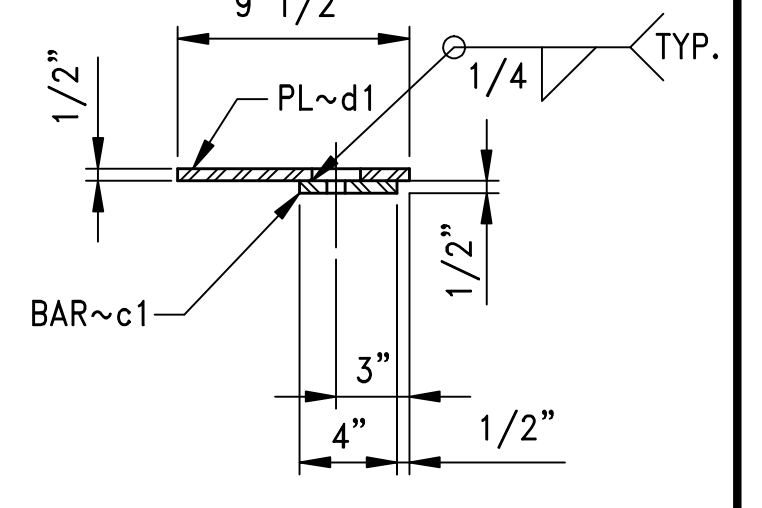
DETAIL OF PLATE~g1



4 - BT BARS - 1M4
(SHIPPED LOOSE)



ONE - COVER PLATE -1M3



SECTION A

SHOP NOTES:

BOLTS: AS NOTED

OPEN HOLES: AS NOTED

PAINT: SANDBLAST & METALIZE

BRIDGE NO. 1803549

SCALE: 1/2"=1'-0"

COSMOS INDUSTRIAL SERVICES
ODOT 256(13) CUYAHOGA COUNTY
SIDEWALK JOINT STEEL DETAILS

BOARDMAN STEEL FAB, LTD.
YOUNGSTOWN, OHIO 44512

MADE BY: JET	DATE: 6-8-13	CONTRACT NO. AY-92	SHEET 1
CK. BY: DCD	DATE: 6-12-13		