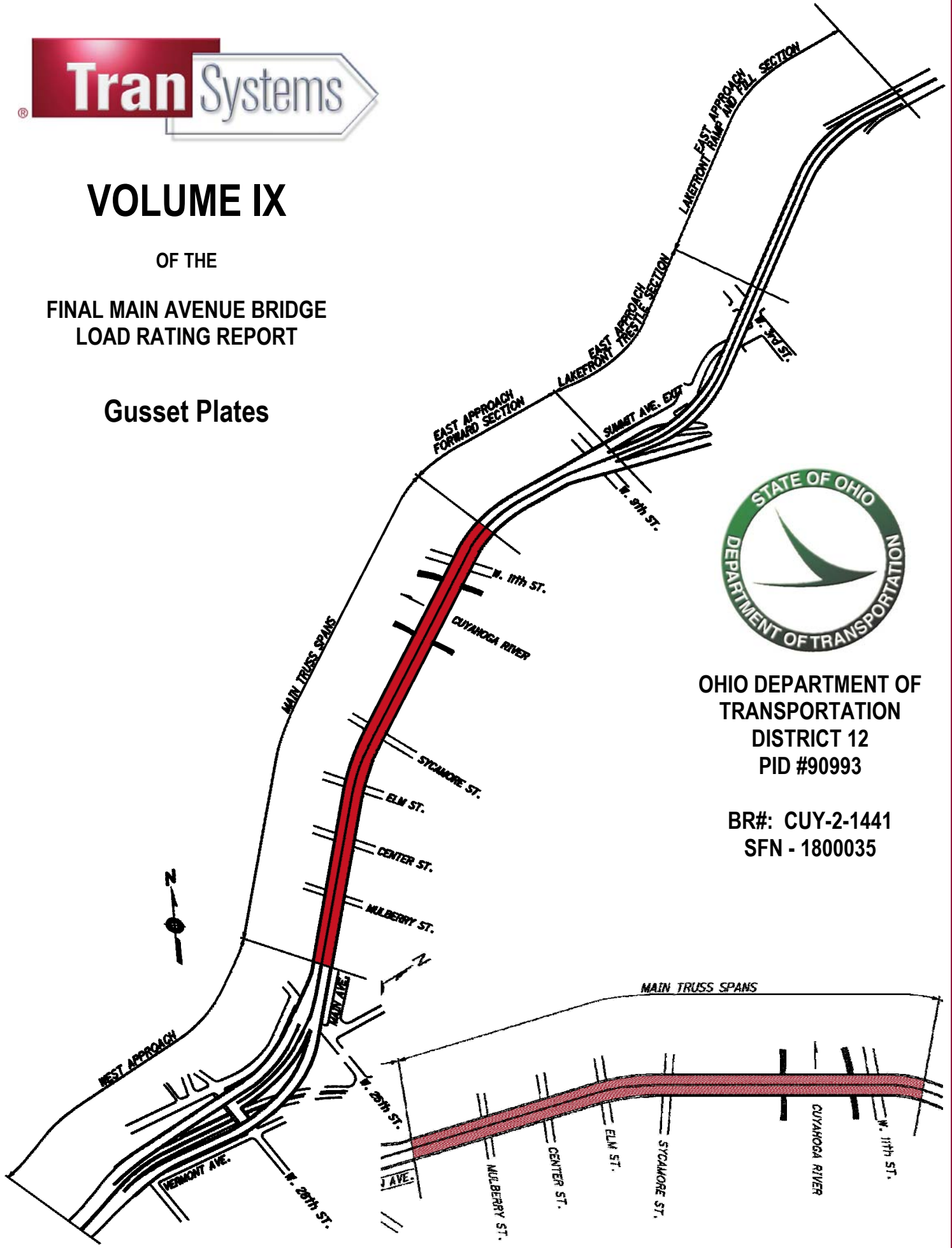




VOLUME IX

OF THE
FINAL MAIN AVENUE BRIDGE
LOAD RATING REPORT

Gusset Plates



OHIO DEPARTMENT OF
TRANSPORTATION
DISTRICT 12
PID #90993

BR#: CUY-2-1441
SFN - 1800035

TABLE OF CONTENTS

GUSSET PLATE LOAD RATING

RATING FACTOR SUMMARY	1
EDGE STIFFNESS REQUIREMENTS	2
RATING ASSUMPTIONS	3
TRUSS MEMBER FORCES	6
North Truss	6
South Truss	28
RATING FACTORS	49
As-Built	49
North Truss	50
South Truss	58
As-Inspected.....	66
North Truss	67
South Truss	75
AS-INSPECTED EFFECTS	83
COMPARISON WITH 2010 GUSSET PLATE ANALYSIS	92
2010 Member Forces	105
North Truss	106
South Truss	127

Appendix A – Modified Excel Rating Spreadsheets

Appendix B – Drafted Gusset Plates with Failure Planes

MAIN TRUSS SPANS AND SPAN 11 GUSSET PLATE RATING FACTOR SUMMARY

AS-BUILT GUSSET PLATE RATING FACTORS									
Truss	Panel Point	HS-20		OHIO LEGAL LOADS				TRUCK TRAIN	
		Inventory	Operating	2F1	3F1	4F1	5C1	HS-20	5C1
North	U110	0.26	0.43	1.49	0.97	0.84	0.61	0.45	0.49
	U127	0.28	0.47	1.18	0.77	0.67	0.51	N/A	N/A
	U135	0.42	0.70	1.80	1.18	1.02	0.76	N/A	N/A
South	U110	0.36	0.60	1.99	1.30	1.11	0.82	0.61	0.66
	U127	0.34	0.56	1.46	0.97	0.85	0.61	N/A	N/A
	U128	0.29	0.48	1.21	0.80	0.71	0.56	N/A	N/A
	U135	0.34	0.57	1.49	0.98	0.86	0.66	N/A	N/A

AS-INSPECTED GUSSET PLATE RATING FACTORS									
Truss	Panel Point	HS-20		OHIO LEGAL LOADS				TRUCK TRAIN	
		Inventory	Operating	2F1	3F1	4F1	5C1	HS-20	5C1
North	U110	0.26	0.43	1.49	0.97	0.84	0.61	0.45	0.49
	U127	0.28	0.47	1.18	0.77	0.67	0.51	N/A	N/A
	U135	0.42	0.70	1.80	1.18	1.02	0.76	N/A	N/A
	L59 ¹	0.45	0.76	2.23	1.47	1.26	0.95	0.78	0.86
South	U110	0.36	0.60	1.99	1.30	1.11	0.82	0.61	0.66
	U127	0.34	0.56	1.46	0.97	0.85	0.61	N/A	N/A
	U128	0.29	0.48	1.21	0.80	0.71	0.56	N/A	N/A
	U135	0.34	0.57	1.49	0.98	0.86	0.66	N/A	N/A

¹ Controlled by As-Inspected conditions due to plate section loss.

The existing rivet yield strength (per original plans) is 28 ksi. Replacing rivets with high strength bolts will increase the rivet yield strength to 43.75 ksi. The below Table identifies the required number of bolt replacements required at each controlling connection to bring Ohio Legal Load Rating Factors greater than 1.00 for gusset plates controlled by connector capacity.

Bolts Replacing Rivets			
Truss	Panel Point	Member	Bolts
North	U110	U110-U111	12
	U127	U127-L128	20
	U127	U127-L127	13
	U135	U135-L135	9
South	U110	U110-U111	6
	U127	U127-L127	18
	U128	U128-L128	16
	U135	U135-L134	13

MAIN TRUSS SPANS AND SPAN 11 GUSSET PLATE STIFFNESS

(Plates NOT Listed MEET AASHTO 10.16.11.3 Requirements)

Gusset Plates Not Meeting Edge Stiffness Requirements of AASHTO 10.16.11.3							
North Truss				South Truss			
U9	U108	L49	L98	U9	U105	L34	L93
U30	U111	L52	L99	U30	U106	L36	L95
U39	U113	L53	L101	U39	U107	L42	L96
U40	U123	L55	L102	U40	U111	L47	L97
U41	U124	L57	L103	U41	U123	L51	L98
U51	U125	L59	L109	U49	U124	L53	L102
U52	U127	L60	L112	U51	U125	L54	L103
U60	U129	L61	L113	U52	U127	L58	L109
U61	U130	L64	L114	U58	U128	L59	L112
U63	U131	L65	L115	U60	U129	L60	L113
U73	U133	L70	L117	U61	U130	L61	L114
U75	U134	L73	L119	U63	U131	L63	L115
U76	L3	L76	L122	U64	U133	L64	L117
U77	L4	L77	L123	U73	U134	L65	L119
U86	L9	L78	L124	U75	U135	L70	L122
U87	L11	L80	L126	U76	L3	L73	L123
U88	L14	L84	L128	U77	L4	L76	L124
U89	L16	L85	L129	U86	L9	L77	L128
U90	L24	L86		U87	L11	L78	L129
U95	L26	L88		U88	L14	L80	L133
U96	L33	L93		U89	L16	L84	L134
U105	L34	L95		U90	L24	L85	
U106	L36	L96		U95	L26	L86	
U107	L42	L97		U96	L33	L88	

GUSSET PLATE RATING

TranSystems performed a gusset plate load rating for the Main Truss and Span 11 gusset plates in 2010. The analysis was based upon the 2009 Special In-Depth inspection of the gusset plates. Truss axial forces were taken from the 1996 “Main Avenue Bridge Analysis and Rating” submitted by Richland Engineering. As part of the 2012 Load Rating Analysis, TranSystems updated the 2010 Gusset Plate Load Rating Analysis with truss axial forces taken from the 3D STAAD models.

RATING ASSUMPTIONS

The gusset plates were rated with a modified version of the Ohio Department of Transportation (ODOT) provided Load Factor Rating Gusset Plate Excel Workbook (2009). The modifications allow for vertical members to be non-perpendicular to the chord and As-Inspected losses columns were added to allow for individual losses for Tensile, Whitmore, and Shear regions for each gusset plate. The forces used in the rating are the maximum live load and dead load forces taken from the 2012 3D STAAD model.

See **Figure 1** for an overview of how capacity measurements were taken on the gusset plates.

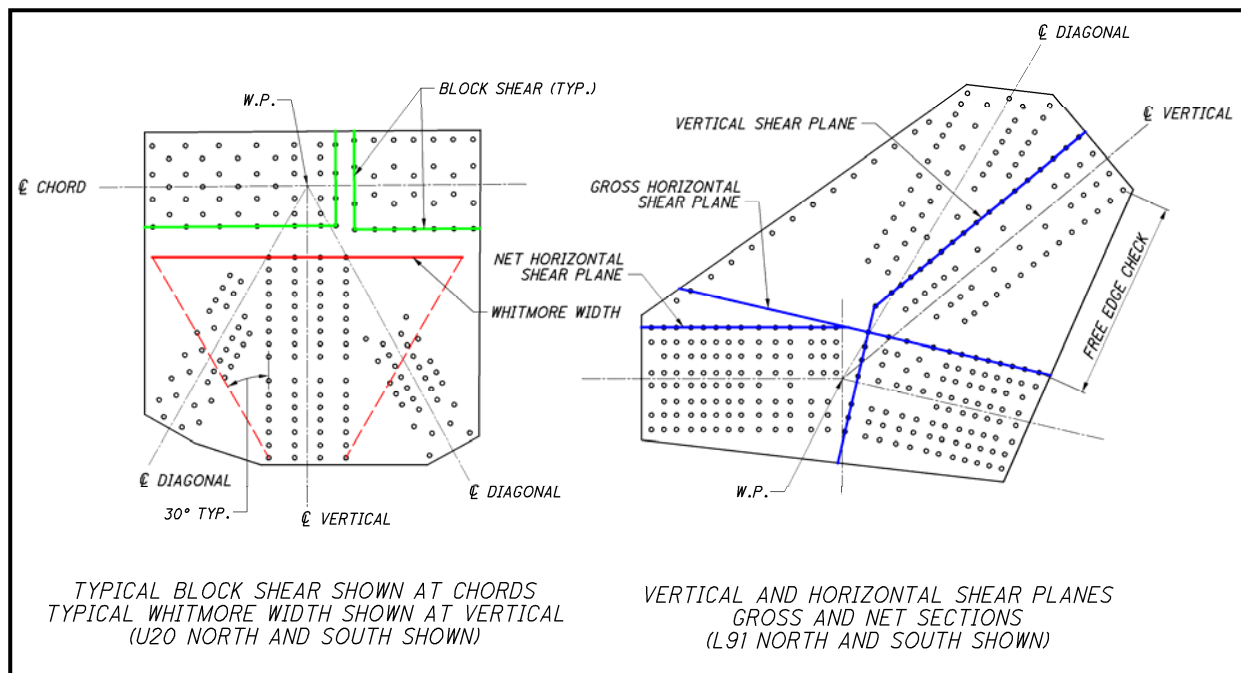


Figure 1 – Typical failure planes shown on sample gussets for Main Avenue Gusset Analysis.

Below is a list of assumptions made for the rating of the gusset plates in 2010:

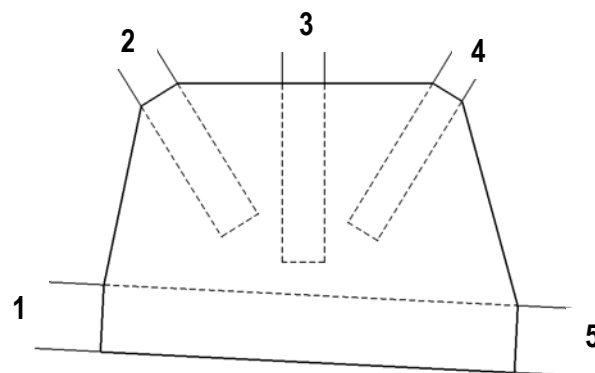
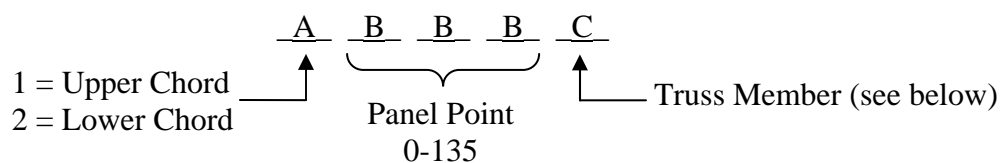
1. Gusset plates consist of A7-36 steel, with $F_y=33\text{ksi}$ and $F_u= 60\text{ksi}$
2. The rivets consist of A141-36 steel, with $F_y= 28\text{ksi}$ and $F_u= 52\text{ksi}$
3. The rivet hole diameter was assumed to be 1-1/8" for net section calculations (AASHTO 10.16.14.6). Generally, the rivets were 1" diameter, except where noted in the shop drawings. Typically the holes were punched or drilled 1/16" smaller than the rivet diameter and then reamed 1/16" larger than the rivet diameter.

4. Lateral constraints to gusset plates are ignored.
5. The design K value used in the analysis is 1.2.
6. Where splice plates are present, a calculated portion of the chord axial force (based on the capacity of each splice plate and splice plate connection) is transferred to the gusset plates in lieu of the full force.
7. Where bottom chord flange splice plates are bent about the weak axis and connect compression or reversal members, the capacity of the splice plate in compression is ignored.
8. Vertical truss member pin connections where a pin plate is present (without internal casting), the pin plate rivets are not acting in shear, and thus the connector rating factors ignore the shear check of the rivets.
9. Shop drawings for Span 10 of the North Truss gusset plates are missing, except for L126, U113, U115 and U123. The corresponding South Truss gusset plate geometry was used for the missing information at the North Truss; however, the North Truss loads are substantially greater than the South Truss (this span has a horizontal curve in the alignment). Due to the missing information, the North Truss gusset plates were conservatively analyzed as carbon steel, even though truss members and three of four known north truss plates are silicon steel.

Modifications from the 2010 gusset plate load rating are as follows:

1. Plate dimensions for the North Truss gusset plates at L126, U113, U115 and U123 were adjusted based upon field measurements. These dimensions had previously been assumed as equal to the South Truss due to missing shop drawings.
2. Where floorbeams were replaced during the 1990 rehabilitation, high strength bolts replaced rivets in the rating sheet, increasing connector capacity.
3. HS-20 and 5C1 Truck Trains were analyzed during the 2012 Load Rating. These loading conditions were not considered during either the 1996 or 2010 ratings.

Nomenclature throughout the gusset plate drawings and rating sheets follows the following format.



(South Elevation)

As-Inspected conditions were measured during the 2009 Special In-Depth Inspection of Gusset Plates utilizing a Pocket UT device. Nomenclature for the Pocket UT scan data was based on suspended span pin locations. Labels and file names consist of span number (X), panel point (XX), North or South Truss (N or S), upper or lower chord panel point (U or L), inner or outer plate (I or O), and a Pocket UT scan letter designation to follow **Figure 2**.

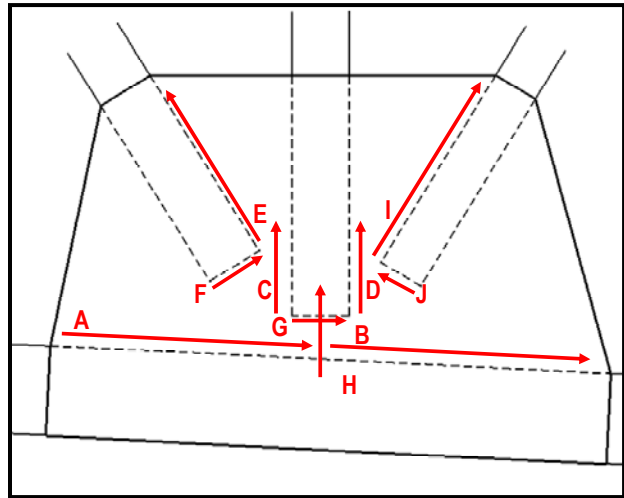


Figure 2 – Elevation of gusset plate looking towards Panel Point.

TRUSS MEMBER FORCES

NORTH TRUSS

2012 NORTH TRUSS FORCES BASED ON 3D MODEL STAAD OUTPUT

TRUSS MEMBER ENVELOPE FORCES TRANSFERRED TO GUSSET PLATE (KIPS)															
Member	Dead	2F1		3F1		4F1		5C1		(HS20-44)		HS-20 Truck Train		5C1 Truck Train	
		Compr.	Tens.	Compr.	Tens.	Compr.	Tens.	Compr.	Tens.	Compr.	Tens.	Compr.	Tens.	Compr.	Tens.
10003	-452.86	-80.73	7.79	-120.71	11.37	-138.00	12.64	-180.35	14.34	-191.31	16.24	-214.97	18.46	-192.15	14.65
10004	533.97	-8.28	95.52	-12.05	142.70	-13.70	163.21	-14.49	205.34	-17.12	229.59	-16.03	241.38	-12.77	211.68
10005	-320.05	-57.48	4.98	-85.87	7.25	-98.22	8.24	-123.55	8.69	-127.81	10.29	-145.24	9.52	-127.35	7.59
10011	-320.05	-57.48	4.98	-85.87	7.25	-98.22	8.24	-123.55	8.69	-127.81	10.29	-145.24	9.52	-127.35	7.59
10013	-495.84	-91.50	6.90	-136.76	10.13	-156.21	11.52	-197.37	12.72	-222.16	14.54	-234.75	17.47	-206.05	13.79
10014	510.82	-7.56	103.32	-11.01	153.66	-12.46	175.68	-13.00	213.14	-15.57	231.35	-15.20	246.43	-12.34	215.15
10015	-669.25	-117.79	9.12	-175.45	13.51	-204.21	15.18	-252.83	16.27	-260.75	19.12	-289.34	18.14	-257.24	14.91
10021	-434.72	-76.51	5.92	-113.97	8.77	-132.65	9.86	-164.23	10.57	-169.37	12.42	-187.95	11.78	-167.09	9.69
10023	-392.42	-84.04	6.60	-125.06	9.52	-142.57	10.52	-173.95	11.32	-188.73	13.17	-203.23	14.92	-176.41	11.89
10024	399.12	-10.90	101.09	-15.98	149.25	-17.98	170.30	-16.87	194.09	-22.54	216.80	-16.99	218.29	-15.08	194.40
10025	-673.88	-116.98	8.43	-176.46	12.49	-203.23	14.13	-249.04	15.22	-259.25	17.89	-281.06	17.70	-254.56	14.90
10031	-967.81	-168.00	12.11	-253.42	17.94	-291.88	20.29	-357.66	21.86	-372.32	25.70	-403.65	25.42	-365.59	21.39
10033	-236.27	-70.49	13.68	-104.06	20.03	-118.18	22.35	-135.80	19.92	-151.23	28.04	-153.62	20.73	-136.20	15.38
10034	183.16	-31.70	85.06	-47.03	124.02	-53.22	140.39	-53.39	143.45	-67.91	175.38	-44.51	164.73	-35.80	142.63
10035	-1112.34	-192.61	13.41	-288.86	19.76	-335.49	22.45	-409.35	24.32	-429.63	28.51	-463.23	28.74	-413.60	24.84
10041	-454.02	-78.62	5.47	-117.90	8.07	-136.94	9.16	-167.08	9.93	-175.36	11.63	-189.07	11.73	-168.82	10.14
10043	-6.29	-43.16	35.10	-63.05	52.10	-70.12	58.95	-73.58	59.56	-89.59	75.33	-77.43	61.95	-71.44	48.14
10044	-207.66	-78.53	48.50	-117.49	69.05	-134.22	74.62	-151.46	63.59	-173.30	92.56	-169.20	57.56	-143.40	39.32
10045	-408.59	-71.68	4.91	-107.76	7.25	-123.77	8.17	-153.21	8.92	-160.84	10.47	-177.85	12.21	-153.58	10.20
10051	-947.18	-166.17	11.37	-249.80	16.80	-286.91	18.94	-355.16	20.69	-372.86	24.26	-412.29	28.31	-356.03	23.65
10053	-125.08	-78.02	5.96	-114.22	8.73	-124.53	9.53	-107.14	8.28	-136.11	10.48	-135.57	10.36	-107.05	8.17
10055	-947.18	-166.19	11.41	-249.83	16.86	-286.94	19.01	-355.20	20.76	-372.90	24.35	-412.33	28.35	-356.05	23.69
10061	-488.12	-85.64	5.88	-128.75	8.69	-147.87	9.80	-183.05	10.70	-192.17	12.55	-212.49	14.61	-183.49	12.21
10062	506.71	-18.55	108.91	-25.37	163.69	-26.00	187.97	-26.21	225.72	-32.43	244.32	-26.16	264.03	-20.59	223.88
10063	-427.71	-78.65	5.34	-118.66	7.95	-136.78	9.03	-170.74	10.37	-192.51	11.65	-205.15	15.80	-176.93	12.22
10065	-294.54	-52.40	3.60	-79.03	5.34	-91.09	6.05	-113.53	6.58	-118.93	7.79	-135.82	9.90	-117.28	7.87
10071	-542.08	-96.44	6.63	-145.46	9.83	-167.64	11.13	-208.95	12.11	-218.88	14.33	-249.96	18.22	-215.84	14.48
10072	472.56	-5.84	83.89	-8.67	126.54	-9.81	145.83	-10.69	181.79	-12.64	205.03	-16.03	217.50	-12.74	187.78
10073	-558.92	-86.36	6.11	-130.53	9.20	-150.78	10.59	-193.00	12.93	-197.43	13.79	-233.35	19.36	-213.58	17.55
10075	0.03	0.05	0.05	0.05	0.05	0.05	0.05	0.05	0.05	0.05	0.05	0.05	0.05	0.05	0.05
10081	0.02	0.05	0.05	0.05	0.05	0.05	0.05	0.05	0.05	0.05	0.05	0.05	0.05	0.05	0.05
10082	665.84	-7.08	100.07	-10.67	151.27	-12.29	174.79	-15.01	224.01	-16.00	268.98	-22.51	270.57	-20.41	247.93
10083	-581.21	-86.42	6.58	-129.75	9.84	-148.73	11.22	-189.53	13.69	-238.30	14.54	-242.70	22.85	-216.98	18.97
10085	392.27	-4.16	59.11	-6.27	89.36	-7.22	103.25	-8.83	132.32	-9.41	142.41	-13.29	159.73	-12.06	146.42
10091	285.31	-3.03	42.99	-4.56	64.99	-5.25	75.10	-6.42	96.24	-6.84	103.58	-9.67	116.18	-8.77	106.50
10092	561.01	-6.66	87.01	-9.89	129.57	-11.19	147.12	-13.53	183.30	-14.45	230.67	-22.44	235.62	-18.57	208.99
10093	-559.54	-85.60	6.47	-128.40	9.71	-147.03	11.13	-173.01	12.33	-233.35	14.35	-237.26	22.37	-200.80	17.93
10095	615.14	-5.87	82.03	-8.84	124.03	-10.18	143.34	-12.78	185.44	-13.27	217.47	-21.28	230.40	-17.94	209.93
10101	461.58	-4.40	61.55	-6.64	93.07	-7.64	107.56	-9.59	139.14	-9.95	163.18	-15.97	172.89	-13.46	157.53
10102	430.45	-5.70	77.46	-8.51	115.26	-9.70	130.77	-10.21	139.87	-12.43	189.48	-19.00	198.47	-14.63	159.71
10103	-717.75	-93.14	24.50	-140.43	37.04	-163.78	43.03	-218.53	56.53	-320.80	55.92	-278.61	63.24	-260.97	59.81
10104	241.30	-38.36	95.02	-58.02	142.81	-67.33	164.03	-88.80	214.99	-87.90	260.37	-101.58	259.16	-78.50	236.74
10105	619.72	-34.55	97.92	-51.82	148.09	-59.51	171.28	-77.18	225.85	-86.69	227.16	-92.98	258.13	-84.68	227.90
10111	946.48	-52.77	149.55	-79.15	226.17	-90.89	261.59	-117.88	344.94	-132.40	346.94	-142.00	394.24	-129.32	348.07
10113	-363.62	-97.81	27.90	-147.10	42.01	-169.08	48.74	-222.28	62.38	-272.31	62.69	-268.26	71.43	-245.28	61.52
10114	300.33	-36.46	111.57	-54.90	167.30	-63.69	192.12	-81.07	248.49	-81.92	294.51	-91.45	295.20	-80.39	270.28
10115	752.09	-117.27	170.90	-175.76	258.41	-204.72	298.96	-265.66	393.64	-312.77	391.10	-314.48	447.97	-291.61	351.65
10121	400.65	-62.47	91.04	-93.63	137.66	-109.06	159.26	-141.52	209.70	-166.61	208.34	-167.53	238.64	-155.34	187.33
10123	-372.63	-96.21	31.57	-144.36	47.54	-165.51	55.16	-214.98	70.22	-257.23	70.95	-255.03	77.75	-233.60	69.67
10124	353.49	-45.64	117.93	-68.73	176.49	-79.75	202.46	-101.53	258.36	-102.57	300.56	-112.42	295.68	-100.72	278.49
10125	165.25	-61.51	61.23	-92.86	92.57	-107.88	107.12	-140.54	140.85	-171.91	140.03	-164.98	159.84	-155.24	113.02
10131	495.76	-184.54	183.69	-278.57	277.70	-323.63	321.35	-421.61	422.56	-515.73	420.08	-494.95	479.51	-465.71	339.05
10133	-327.27	-85.79	33.22	-128.44	50.03	-146.95	58.06	-188.14	73.93	-235.20	74.68	-225.02	82.24	-210.78	73.38
10134	307.01	-52.60	113.20	-79.20	168.87	-91.90	192.98	-117.03	241.30	-118.22	297.64	-130.12	299.57	-116.15	263.81
10135	256.83	-241.34	184.32	-366.06	278.61	-423.82	322.42	-550.72	423.42	-703.17	421.21	-660.61	479.69	-611.36	357.85

2012 NORTH TRUSS FORCES BASED ON 3D MODEL STAAD OUTPUT

TRUSS MEMBER ENVELOPE FORCES TRANSFERRED TO GUSSET PLATE (KIPS)															
Member	Dead	2F1		3F1		4F1		5C1		(HS20-44)		HS-20 Truck Train		5C1 Truck Train	
		Compr.	Tens.	Compr.	Tens.	Compr.	Tens.	Compr.	Tens.	Compr.	Tens.	Compr.	Tens.	Compr.	Tens.
10141	136.80	-128.55	98.18	-194.98	148.41	-225.75	171.74	-293.35	225.54	-374.55	224.36	-351.88	255.51	-325.65	190.61
10143	-238.68	-58.71	30.41	-87.54	45.48	-99.67	52.10	-124.61	60.70	-180.78	66.72	-168.74	69.38	-145.35	59.98
10144	184.60	-60.81	78.49	-91.13	116.57	-104.47	132.18	-121.92	159.37	-134.64	229.98	-132.36	210.44	-115.97	183.32
10145	45.24	-104.81	67.52	-158.93	101.87	-184.55	117.92	-238.46	152.81	-318.28	153.08	-291.84	173.79	-263.81	143.03
10151	110.98	-257.11	165.63	-389.89	249.90	-452.73	289.27	-584.97	374.85	-780.78	375.53	-715.92	426.33	-647.15	350.87
10153	-125.20	-74.80	5.43	-109.50	7.96	-119.36	8.71	-102.72	7.64	-130.37	9.62	-130.50	9.76	-104.20	8.01
10155	110.98	-257.12	165.64	-389.90	249.92	-452.75	289.29	-585.00	374.88	-780.77	375.56	-715.93	426.35	-647.17	350.88
10161	45.24	-104.81	67.52	-158.94	101.88	-184.56	117.93	-238.47	152.82	-318.28	153.09	-291.85	173.80	-263.81	143.03
10162	22.69	-52.71	88.63	-79.63	133.34	-92.13	153.20	-120.19	184.21	-120.28	227.09	-139.92	223.31	-115.21	181.30
10163	-138.28	-66.45	32.88	-100.20	49.66	-115.46	57.45	-143.75	74.89	-186.89	74.99	-183.11	87.50	-155.51	53.46
10165	67.02	-120.77	87.63	-182.29	131.95	-212.20	153.12	-276.56	194.99	-346.89	196.97	-335.09	217.29	-309.22	193.58
10171	66.93	-120.61	87.51	-182.05	131.78	-211.92	152.92	-276.20	194.73	-346.43	196.71	-334.65	217.00	-308.81	193.32
10172	174.50	-59.54	123.02	-90.06	185.38	-104.34	213.52	-137.79	265.78	-136.46	314.73	-157.90	316.24	-101.80	278.95
10173	-251.20	-92.22	37.68	-139.35	57.00	-160.94	66.03	-205.21	87.20	-246.55	86.38	-244.18	99.96	-223.57	64.67
10175	159.29	-101.26	97.38	-152.74	146.63	-177.61	170.16	-230.76	216.75	-270.45	218.92	-275.99	242.77	-257.38	215.29
10181	146.29	-93.00	89.43	-140.27	134.67	-163.12	156.28	-211.93	199.06	-248.38	201.05	-253.47	222.96	-236.38	197.72
10182	253.12	-49.49	119.90	-74.78	181.09	-86.62	209.02	-113.64	265.62	-113.07	316.68	-129.25	310.04	-94.04	290.41
10183	-306.04	-101.35	35.46	-153.24	53.58	-177.10	62.06	-227.98	81.42	-274.36	81.01	-275.42	92.57	-251.01	67.36
10185	247.67	-58.01	80.71	-87.38	121.54	-101.12	141.06	-129.17	179.72	-136.25	181.49	-154.90	202.49	-141.48	178.62
10191	436.87	-102.33	142.37	-154.13	214.39	-178.37	248.81	-227.85	317.00	-240.33	320.12	-273.22	357.16	-249.55	315.07
10192	231.45	-40.49	109.64	-61.01	165.54	-70.76	191.00	-91.03	243.21	-91.49	281.00	-102.84	294.41	-88.49	267.35
10193	-308.78	-100.48	31.13	-151.85	46.90	-175.45	54.40	-225.60	70.15	-264.90	70.35	-272.94	79.18	-248.48	67.99
10195	574.50	-47.51	119.06	-71.21	179.29	-81.82	208.09	-102.25	265.21	-106.51	267.77	-120.93	300.95	-109.70	263.79
10201	435.83	-36.04	90.32	-54.02	136.01	-62.07	157.86	-77.57	201.19	-80.80	203.14	-91.74	228.31	-83.22	200.12
10202	172.31	-33.07	75.26	-49.79	113.61	-57.77	131.12	-73.50	166.84	-74.29	185.09	-81.03	200.82	-72.92	182.48
10203	-615.57	-97.06	27.39	-146.70	41.28	-170.38	47.83	-224.98	62.75	-304.42	62.24	-276.76	69.46	-258.72	54.72
10204	307.73	-5.09	71.25	-7.36	103.48	-8.52	119.19	-8.44	123.12	-10.39	154.00	-13.17	161.97	-9.95	131.84
10205	352.21	-9.27	59.19	-13.82	88.58	-15.70	102.75	-20.08	128.62	-22.92	138.07	-26.65	157.71	-23.68	132.04
10211	371.56	-9.78	62.44	-14.57	93.45	-16.56	108.39	-21.18	135.68	-24.18	145.66	-28.12	166.38	-24.98	139.29
10213	-411.77	-85.31	6.98	-125.60	10.22	-143.90	11.77	-163.25	12.80	-202.93	14.59	-209.89	20.70	-179.21	16.43
10214	369.19	-5.49	77.21	-7.92	111.65	-9.10	128.75	-10.57	151.69	-11.00	179.23	-17.24	184.56	-13.83	160.76
10215	195.80	-11.52	37.78	-17.08	56.53	-19.36	65.07	-21.46	80.03	-24.94	84.21	-25.45	100.62	-21.20	80.74
10221	231.52	-13.63	44.67	-20.20	66.84	-22.90	76.95	-25.38	94.63	-29.48	99.58	-30.09	118.98	-25.07	95.47
10223	-437.42	-86.09	6.21	-127.10	9.06	-145.42	10.44	-180.56	12.86	-210.35	13.02	-218.83	20.83	-191.11	16.63
10224	437.85	-6.24	91.35	-9.32	136.08	-10.62	155.07	-12.87	190.23	-13.75	210.39	-20.29	225.00	-15.14	193.42
10225	-0.95	-14.49	14.48	-21.88	21.88	-25.28	25.27	-32.04	32.10	-32.39	32.41	-40.67	40.70	-30.04	29.82
10231	-1.48	-22.64	22.63	-34.19	34.18	-39.50	39.49	-50.06	50.15	-50.62	50.63	-63.55	63.60	-46.94	46.60
10233	-396.09	-89.51	6.13	-133.33	9.14	-151.93	10.42	-186.40	12.62	-206.17	13.48	-220.50	19.89	-189.54	14.84
10234	408.63	-9.38	110.49	-13.91	163.19	-15.73	186.47	-17.40	213.50	-20.24	237.29	-19.94	245.58	-16.49	212.63
10235	-313.27	-97.82	21.29	-144.27	32.17	-166.39	37.13	-194.56	45.74	-209.50	47.65	-221.83	60.03	-188.21	43.55
10241	-234.95	-73.36	15.97	-108.20	24.13	-124.79	27.85	-145.92	34.31	-157.13	35.74	-166.37	45.03	-141.16	32.66
10243	-261.68	-74.02	6.68	-109.34	9.92	-124.89	11.22	-142.92	12.34	-158.98	14.43	-164.59	13.79	-142.26	11.54
10244	220.54	-28.42	86.11	-40.15	125.67	-42.69	142.60	-41.27	146.25	-52.63	178.08	-35.21	183.27	-27.69	144.15
10245	-285.66	-80.18	10.03	-120.04	15.11	-137.67	17.47	-157.07	21.20	-172.96	22.40	-172.04	26.47	-154.67	20.88
10251	-483.42	-135.69	16.98	-203.14	25.57	-232.98	29.57	-265.81	35.88	-292.70	37.90	-291.15	44.80	-261.76	35.33
10253	-121.51	-79.06	5.69	-115.67	8.31	-126.06	9.08	-107.93	7.74	-137.56	9.94	-137.59	9.99	-109.36	7.97
10255	-483.43	-135.68	16.99	-203.12	25.58	-232.94	29.58	-265.74	35.90	-292.64	37.92	-291.11	44.80	-261.70	35.36
10261	-285.66	-80.17	10.04	-120.02	15.11	-137.65	17.48	-157.03	21.21	-172.92	22.41	-172.02	26.47	-154.64	20.89
10262	45.72	-44.26	66.60	-62.90	97.65	-68.35	108.85	-57.37	94.19	-84.04	136.52	-75.98	132.73	-47.78	87.02
10263	-150.01	-63.86	15.18	-94.94	20.48	-107.60	20.61	-111.83	21.29	-137.79	25.42	-137.24	23.47	-110.16	18.83
10265	-336.80	-93.05	9.11	-138.23	13.58	-159.67	15.65	-181.45	18.53	-201.47	19.86	-202.66	22.06	-179.75	17.19
10271	-299.37	-82.71	8.10	-122.87	12.07	-141.93	13.91	-161.29	16.47	-179.09	17.66	-180.14	19.60	-159.78	15.28
10272	281.89	-11.34	100.34	-16.10	149.08	-17.65	168.85	-19.88	177.69	-22.48	216.02	-23.50	215.43	-19.15	175.14
10273	-308.29	-89.21	8.31	-133.62	12.46	-152.74	14.31	-174.30	16.83	-197.54	18.48	-204.38	22.70	-173.49	16.44
10275	-191.95	-53.46	4.71	-80.05	7.06	-91.48	8.08	-104.09	9.37	-118.27	10.43	-122.22	12.49	-103.65	9.16

2012 NORTH TRUSS FORCES BASED ON 3D MODEL STAAD OUTPUT

TRUSS MEMBER ENVELOPE FORCES TRANSFERRED TO GUSSET PLATE (KIPS)															
Member	Dead	2F1		3F1		4F1		5C1		(HS20-44)		HS-20 Truck Train		5C1 Truck Train	
		Compr.	Tens.	Compr.	Tens.	Compr.	Tens.	Compr.	Tens.	Compr.	Tens.	Compr.	Tens.	Compr.	Tens.
10281	-239.93	-66.83	5.89	-100.06	8.82	-114.35	10.10	-130.11	11.71	-147.83	13.04	-152.78	15.61	-129.56	11.46
10282	361.23	-8.95	100.32	-13.40	150.22	-15.37	171.70	-17.91	195.55	-19.84	222.01	-23.81	229.55	-17.53	194.75
10283	-405.48	-89.64	8.04	-134.90	12.14	-155.10	14.01	-188.00	17.29	-201.91	18.22	-224.76	24.48	-189.88	18.07
10285	0.04	0.05	0.05	0.05	0.05	0.05	0.05	0.05	0.05	0.05	0.05	0.05	0.05	0.05	0.05
10291	0.02	0.05	0.05	0.05	0.05	0.05	0.05	0.05	0.05	0.05	0.05	0.05	0.05	0.05	0.05
10292	366.49	-7.02	77.94	-10.59	117.34	-12.23	134.96	-15.10	163.92	-15.90	175.74	-21.40	195.65	-15.91	165.60
10293	-428.88	-87.80	7.37	-131.04	11.01	-149.20	12.58	-182.44	15.56	-207.45	16.29	-221.45	22.40	-191.09	17.99
10295	153.67	-2.91	32.75	-4.39	49.31	-5.07	56.71	-6.26	68.88	-6.59	73.84	-8.90	82.22	-6.74	69.59
10301	117.98	-2.23	25.14	-3.37	37.85	-3.89	43.54	-4.81	52.89	-5.06	56.69	-6.83	63.12	-5.17	53.43
10302	324.82	-5.70	68.69	-8.43	101.34	-9.51	113.81	-11.46	134.83	-12.20	155.99	-16.60	165.47	-13.61	141.60
10303	-822.02	-94.31	18.20	-141.86	27.35	-165.46	31.78	-220.26	40.63	-329.57	41.06	-285.64	44.61	-263.04	38.11
10304	405.70	-32.32	89.52	-48.60	134.47	-55.88	154.40	-69.76	202.45	-72.62	246.55	-79.45	244.75	-69.84	223.67
10305	130.27	-30.68	58.67	-46.06	88.30	-52.88	101.54	-69.27	126.63	-82.88	132.14	-85.24	144.60	-78.01	126.61
10311	167.49	-39.44	75.44	-59.22	113.53	-67.98	130.55	-89.06	162.81	-106.56	169.90	-109.60	185.91	-100.30	162.78
10313	-512.64	-101.59	23.79	-152.62	35.72	-175.28	41.14	-230.10	51.48	-283.28	53.31	-277.35	58.71	-253.78	51.47
10314	476.92	-30.07	107.86	-45.15	161.77	-51.99	185.98	-64.99	241.18	-67.39	288.39	-74.22	286.87	-65.04	262.74
10315	-99.77	-94.48	92.22	-141.69	138.75	-164.96	159.56	-215.10	198.99	-257.07	207.58	-254.63	226.92	-236.49	199.00
10321	-67.02	-63.47	61.95	-95.18	93.21	-110.81	107.18	-144.49	133.68	-172.69	139.44	-171.05	152.43	-158.87	133.68
10323	-513.59	-103.02	22.76	-154.59	34.09	-177.34	39.62	-230.86	50.92	-277.93	50.98	-274.14	58.55	-251.13	52.26
10324	517.03	-30.42	117.04	-45.56	175.14	-52.95	201.43	-68.07	257.05	-68.14	304.48	-78.27	297.16	-69.86	277.41
10325	-286.72	-101.40	67.25	-152.96	101.15	-177.83	116.34	-232.09	145.09	-285.63	151.26	-273.02	165.84	-256.42	144.89
10331	-291.66	-103.14	68.41	-155.60	102.89	-180.89	118.35	-236.09	147.59	-290.55	153.87	-277.72	168.70	-260.84	147.39
10333	-426.04	-91.26	23.84	-136.61	35.72	-156.39	41.51	-200.48	53.45	-234.93	53.53	-236.19	62.04	-218.60	54.70
10334	441.07	-35.14	112.08	-52.64	167.24	-61.17	191.47	-78.78	239.77	-78.90	276.62	-91.46	287.95	-80.61	254.73
10335	-551.67	-153.13	77.60	-232.23	116.64	-268.86	134.25	-350.06	167.67	-447.34	174.35	-419.57	191.97	-387.93	166.73
10341	-373.91	-103.79	52.59	-157.40	79.06	-182.23	90.99	-237.27	113.64	-303.20	118.17	-284.38	130.11	-262.93	113.00
10343	-229.17	-59.62	26.94	-88.92	40.01	-101.36	45.57	-126.88	48.48	-148.00	58.12	-159.01	57.73	-137.21	46.02
10344	150.71	-51.19	74.46	-76.58	110.56	-87.86	125.29	-101.80	151.31	-113.22	162.51	-103.14	181.69	-90.35	147.91
10345	-379.97	-98.58	42.17	-149.52	63.21	-173.61	73.00	-224.32	91.45	-299.05	94.30	-274.40	104.12	-248.45	90.13
10351	-883.42	-229.21	98.04	-347.62	146.97	-403.64	169.71	-521.53	212.63	-695.28	219.26	-637.98	242.09	-577.65	209.54
10353	-124.27	-75.67	5.69	-110.78	8.34	-120.77	9.11	-103.84	7.85	-131.99	10.02	-131.49	9.92	-101.10	7.34
10355	-883.42	-229.23	98.06	-347.64	146.98	-403.66	169.73	-521.57	212.65	-695.28	219.28	-638.00	242.12	-577.66	209.56
10361	-380.70	-98.78	42.26	-149.81	63.34	-173.95	73.14	-224.76	91.64	-299.62	94.50	-274.94	104.34	-248.94	90.31
10362	228.97	-36.54	92.33	-54.90	138.79	-62.99	159.35	-78.11	191.33	-81.84	225.96	-90.80	224.56	-79.71	186.06
10363	-281.03	-73.22	24.28	-110.43	36.49	-127.29	41.89	-158.66	51.53	-196.47	54.44	-194.14	59.55	-166.13	52.25
10365	-371.24	-102.15	49.82	-154.06	74.69	-179.43	86.75	-234.25	111.81	-293.12	112.01	-283.68	130.41	-262.04	114.25
10371	-498.86	-137.26	66.95	-207.02	100.36	-241.10	116.57	-314.78	150.24	-393.88	150.51	-381.19	175.24	-352.12	153.52
10372	449.61	-36.60	113.55	-55.12	171.09	-63.42	197.12	-79.40	244.90	-82.60	293.67	-93.50	291.22	-81.88	257.00
10373	-440.46	-93.39	25.53	-141.15	38.46	-163.07	44.24	-208.15	55.39	-251.78	57.63	-247.57	65.21	-226.11	57.10
10375	-258.45	-91.57	59.52	-138.22	89.34	-160.57	103.67	-209.07	133.82	-244.16	134.12	-251.41	157.37	-233.78	136.40
10381	-262.76	-93.09	60.51	-140.52	90.83	-163.25	105.40	-212.55	136.05	-248.23	136.36	-255.60	159.99	-237.67	138.68
10382	513.26	-33.16	119.00	-49.87	179.71	-57.44	207.41	-72.38	263.11	-74.70	315.28	-84.41	310.89	-74.35	288.99
10383	-526.20	-109.20	25.76	-165.05	38.74	-190.68	44.62	-245.42	56.22	-294.29	58.03	-296.99	65.55	-270.68	57.73
10385	-47.09	-52.43	49.51	-79.02	74.48	-91.45	86.34	-117.62	111.63	-125.57	111.92	-141.73	132.74	-129.76	114.46
10391	-71.31	-79.39	74.97	-119.66	112.78	-138.48	130.74	-178.12	169.04	-190.15	169.48	-214.63	201.00	-196.50	173.32
10392	455.72	-29.24	102.95	-43.77	155.45	-50.86	179.40	-65.21	229.00	-65.50	264.20	-75.32	277.73	-67.57	252.34
10393	-507.35	-101.18	23.94	-152.89	35.85	-176.60	41.65	-227.19	53.41	-275.28	53.68	-275.25	61.88	-250.67	55.42
10395	154.86	-36.24	60.45	-54.56	91.16	-62.83	105.64	-79.11	136.82	-81.89	137.15	-94.58	164.61	-85.83	142.27
10401	113.07	-26.46	44.13	-39.84	66.56	-45.87	77.13	-57.76	99.90	-59.79	100.14	-69.06	120.19	-62.67	103.88
10402	374.05	-32.84	88.11	-49.14	132.90	-57.12	153.24	-73.15	194.44	-73.50	216.23	-84.15	234.38	-75.51	212.77
10403	-826.99	-99.05	20.50	-149.46	30.92	-173.33	35.72	-226.59	45.65	-323.62	46.33	-291.34	54.71	-263.97	47.42
10404	325.93	-4.82	63.60	-6.97	91.41	-8.00	105.47	-9.59	123.51	-9.71	152.56	-15.36	151.20	-12.94	136.30
10405	112.25	-6.79	22.54	-10.18	34.07	-11.65	39.57	-14.92	50.90	-20.70	61.16	-20.41	64.77	-18.46	55.18
10411	130.07	-7.87	26.12	-11.80	39.48	-13.50	45.85	-17.29	58.99	-23.99	70.87	-23.66	75.06	-21.39	63.94
10413	-478.45	-86.52	6.56	-126.69	9.58	-145.46	11.04	-180.91	14.08	-220.56	13.83	-219.87	22.22	-200.36	18.99

2012 NORTH TRUSS FORCES BASED ON 3D MODEL STAAD OUTPUT

Member	TRUSS MEMBER ENVELOPE FORCES TRANSFERRED TO GUSSET PLATE (KIPS)															
	Dead	2F1		3F1		4F1		5C1		(HS20-44)		HS-20 Truck Train		5C1 Truck Train		
		Compr.	Tens.	Compr.	Tens.	Compr.	Tens.	Compr.	Tens.	Compr.	Tens.	Compr.	Tens.	Compr.	Tens.	
10414	401.36	-5.24	70.95	-7.99	106.48	-9.34	122.10	-12.58	156.74	-12.33	180.40	-19.75	188.26	-15.70	165.55	
10415	-18.00	-7.91	7.81	-11.93	11.80	-13.79	13.56	-16.75	16.38	-19.78	18.02	-23.05	21.46	-17.03	15.18	
10421	-29.05	-12.77	12.59	-19.25	19.04	-22.26	21.88	-27.03	26.43	-31.92	29.08	-37.20	34.62	-27.48	24.49	
10423	-478.96	-90.51	6.69	-135.83	10.21	-155.76	11.92	-199.96	16.06	-230.18	15.75	-240.20	25.18	-211.20	20.00	
10424	439.32	-6.94	95.16	-10.28	141.65	-11.79	161.65	-14.06	196.88	-15.06	223.69	-21.86	234.28	-17.35	202.80	
10425	-303.53	-63.59	13.50	-94.44	20.26	-108.72	23.35	-132.25	27.06	-139.12	29.92	-159.99	39.05	-133.75	23.67	
10431	-303.53	-63.59	13.50	-94.44	20.26	-108.72	23.35	-132.25	27.06	-139.12	29.92	-159.99	39.05	-133.75	23.67	
10433	-403.74	-90.35	6.68	-134.50	9.92	-153.45	11.35	-187.04	13.70	-212.74	14.60	-222.95	21.67	-192.99	17.26	
10434	390.22	-8.18	103.32	-12.15	152.59	-13.89	174.70	-16.31	200.59	-17.83	221.65	-23.49	233.91	-20.47	202.24	
10435	-581.41	-121.81	14.00	-181.69	21.02	-210.60	24.19	-252.97	28.96	-267.26	30.88	-290.82	40.33	-252.35	25.72	
10441	-396.22	-83.01	9.54	-123.82	14.32	-143.52	16.48	-172.39	19.73	-182.14	21.04	-198.19	27.49	-171.97	17.53	
10443	-223.56	-71.55	13.11	-105.70	18.66	-120.08	20.13	-137.79	20.81	-153.58	25.21	-162.59	22.56	-139.78	19.05	
10444	147.73	-33.41	76.79	-48.88	112.13	-54.30	126.65	-47.03	130.53	-67.86	158.66	-47.39	153.81	-34.64	131.32	
10445	-422.56	-91.72	8.33	-138.79	12.50	-159.76	14.38	-185.49	16.94	-202.81	18.32	-206.84	22.85	-187.07	16.50	
10451	-689.77	-149.71	13.60	-226.56	20.41	-260.78	23.48	-302.78	27.66	-331.06	29.90	-337.63	37.30	-305.37	26.93	
10453	-124.02	-80.74	6.07	-118.22	8.87	-129.05	9.70	-110.95	8.46	-140.96	10.67	-140.97	10.67	-112.38	8.72	
10455	-689.79	-149.73	13.61	-226.58	20.41	-260.82	23.48	-302.79	27.65	-331.10	29.90	-337.65	37.30	-305.39	26.94	
10461	-485.41	-105.37	9.57	-159.45	14.36	-183.54	16.52	-213.08	19.46	-233.00	21.04	-237.61	26.25	-214.90	18.96	
10462	167.03	-32.51	77.41	-46.48	115.16	-50.01	130.52	-42.23	133.23	-62.22	166.85	-46.41	166.77	-42.38	128.21	
10463	-234.96	-71.36	13.08	-106.96	18.13	-122.28	18.58	-139.26	17.97	-157.97	22.95	-162.34	23.59	-137.34	15.84	
10465	-399.92	-89.01	7.95	-133.38	11.87	-153.30	13.68	-185.03	15.90	-197.02	17.32	-211.77	21.49	-185.01	14.81	
10471	-568.30	-126.49	11.29	-189.54	16.87	-217.84	19.45	-262.94	22.60	-279.98	24.61	-300.94	30.54	-262.90	21.05	
10472	404.45	-10.06	108.40	-14.95	162.47	-16.96	185.74	-18.96	211.46	-21.74	239.96	-25.72	247.01	-17.43	210.07	
10473	-415.80	-94.78	9.33	-142.86	13.90	-164.37	15.78	-199.15	17.69	-213.85	20.30	-236.36	24.65	-203.74	17.48	
10475	-284.61	-63.44	6.01	-95.61	8.93	-109.98	10.13	-133.14	11.26	-143.07	13.02	-157.91	15.58	-136.28	11.20	
10481	-284.61	-63.44	6.01	-95.61	8.93	-109.98	10.13	-133.14	11.26	-143.07	13.02	-157.91	15.58	-136.28	11.20	
10482	449.86	-9.52	99.91	-14.17	150.58	-16.09	173.24	-17.99	209.87	-20.69	225.39	-24.89	248.87	-17.92	214.84	
10483	-494.91	-88.86	9.79	-134.34	14.68	-155.29	17.01	-198.04	20.11	-213.06	21.67	-239.14	29.16	-208.63	21.86	
10485	0.04	0.05	0.05	0.05	0.05	0.05	0.05	0.05	0.05	0.05	0.05	0.05	0.05	0.05	0.05	
10491	0.02	0.05	0.05	0.05	0.05	0.05	0.05	0.05	0.05	0.05	0.05	0.05	0.05	0.05	0.05	
10492	418.40	-7.79	71.67	-11.73	108.42	-13.60	125.36	-16.09	159.83	-17.31	174.03	-23.33	192.97	-17.49	168.47	
10493	-495.61	-85.28	8.94	-128.55	13.47	-147.55	15.43	-180.04	18.05	-213.91	19.70	-221.44	22.98	-201.72	21.47	
10495	169.55	-3.05	28.97	-4.59	43.82	-5.32	50.66	-6.31	64.59	-6.77	66.35	-9.15	78.19	-6.87	68.15	
10501	146.49	-2.63	25.03	-3.96	37.86	-4.59	43.77	-5.45	55.80	-5.85	57.32	-7.91	67.55	-5.93	58.88	
10502	334.31	-5.38	62.57	-7.86	93.76	-8.81	106.13	-9.58	120.42	-10.85	143.94	-13.21	151.10	-11.95	134.23	
10503	-826.04	-79.32	19.13	-120.78	29.17	-141.06	33.97	-193.15	43.45	-292.70	44.12	-261.52	47.09	-240.41	42.42	
10504	609.99	-37.64	100.11	-57.10	152.05	-66.38	176.81	-86.04	239.49	-86.19	311.28	-99.89	303.29	-89.42	282.08	
10505	99.09	-26.47	47.35	-40.19	71.76	-46.72	83.50	-63.09	108.47	-81.25	108.58	-81.93	124.96	-75.67	112.25	
10511	129.43	-34.57	61.85	-52.49	93.73	-61.02	109.06	-82.40	141.67	-106.13	141.82	-107.01	163.22	-98.84	146.61	
10513	-750.98	-118.33	33.67	-179.80	51.12	-209.10	59.43	-283.09	77.12	-359.17	77.08	-356.99	88.92	-331.74	79.92	
10514	566.95	-31.56	98.87	-47.90	150.13	-55.68	174.41	-72.20	233.58	-72.21	289.83	-83.39	280.14	-74.90	267.08	
10515	-185.05	-86.67	78.78	-131.72	119.41	-153.49	138.91	-205.85	180.30	-258.07	180.59	-256.87	208.17	-238.49	186.79	
10521	-119.74	-56.08	50.97	-85.23	77.27	-99.32	89.88	-133.20	116.66	-166.99	116.85	-166.21	134.70	-154.32	120.86	
10523	-801.25	-127.46	33.99	-193.56	51.87	-224.90	60.20	-301.81	78.42	-377.69	78.11	-362.20	88.48	-344.44	80.29	
10524	614.77	-31.87	106.45	-48.64	161.52	-56.45	187.50	-73.53	248.88	-73.25	309.29	-82.97	299.71	-75.29	278.39	
10525	-440.61	-106.96	67.52	-162.75	102.36	-189.71	119.02	-254.93	154.25	-327.55	154.59	-310.42	178.22	-295.55	159.64	
10531	-429.11	-104.17	65.76	-158.50	99.69	-184.76	115.91	-248.28	150.23	-319.01	150.56	-302.32	173.57	-287.84	155.48	
10533	-717.52	-118.60	34.90	-180.02	53.24	-208.93	61.81	-277.28	80.54	-340.67	80.22	-336.91	91.98	-310.39	82.53	
10534	626.37	-38.42	114.85	-58.62	174.06	-68.06	201.71	-88.69	263.54	-88.33	317.94	-101.28	322.11	-90.88	292.37	
10535	-780.85	-155.77	77.66	-237.34	117.76	-276.37	136.90	-369.89	177.30	-488.87	177.75	-464.02	204.97	-424.32	182.82	
10541	-1094.48	-218.33	108.85	-332.67	165.06	-387.38	191.88	-518.45	248.51	-685.22	249.13	-650.39	287.29	-594.74	256.25	
10543	-590.21	-109.76	36.33	-166.36	55.42	-192.74	64.34	-251.74	83.87	-296.33	83.52	-305.75	96.61	-281.32	86.00	
10544	616.97	-51.07	132.70	-77.92	200.72	-90.47	232.36	-117.92	298.21	-117.43	346.75	-135.82	350.08	-120.91	327.86	
10545	-1531.08	-282.06	124.28	-430.21	188.61	-500.84	219.23	-666.10	284.00	-909.44	284.25	-846.09	326.43	-782.29	290.88	
10551	-749.02	-137.98	60.80	-210.46	92.27	-245.01	107.25	-325.86	138.93	-444.91	139.06	-413.91	159.69	-382.70	142.30	

2012 NORTH TRUSS FORCES BASED ON 3D MODEL STAAD OUTPUT

TRUSS MEMBER ENVELOPE FORCES TRANSFERRED TO GUSSET PLATE (KIPS)															
Member	Dead	2F1		3F1		4F1		5C1		(HS20-44)		HS-20 Truck Train		5C1 Truck Train	
		Compr.	Tens.	Compr.	Tens.	Compr.	Tens.	Compr.	Tens.	Compr.	Tens.	Compr.	Tens.	Compr.	Tens.
10553	-276.00	-71.50	31.52	-108.17	47.46	-125.03	54.43	-160.29	65.62	-177.42	70.15	-186.57	75.56	-174.81	63.86
10554	164.61	-54.06	86.54	-81.76	130.62	-94.26	150.56	-115.74	187.51	-122.30	195.36	-121.86	215.48	-102.98	187.67
10555	-613.35	-112.10	50.99	-170.91	77.79	-199.12	90.31	-263.62	117.70	-370.34	117.22	-331.46	134.88	-311.16	120.64
10561	-1650.21	-301.61	137.18	-459.83	209.28	-535.74	242.98	-709.25	316.68	-996.38	315.38	-891.78	362.89	-837.18	324.58
10563	-158.79	-83.61	3.61	-123.49	5.31	-136.68	5.82	-118.90	4.99	-148.99	6.37	-148.99	6.30	-119.56	5.08
10565	-1650.21	-301.62	137.18	-459.84	209.28	-535.75	242.98	-709.28	316.67	-996.41	315.37	-891.79	362.89	-837.19	324.58
10571	-526.15	-96.17	43.74	-146.61	66.73	-170.82	77.47	-226.15	100.97	-317.69	100.55	-284.34	115.70	-266.93	103.49
10572	321.40	-38.12	90.15	-57.40	136.38	-65.94	157.89	-78.76	196.43	-85.48	213.15	-90.83	229.69	-79.51	191.91
10573	-384.33	-72.84	20.22	-110.44	30.25	-128.16	34.68	-164.49	42.82	-204.74	44.65	-197.61	53.01	-180.80	45.95
10575	-691.50	-135.33	73.96	-206.28	112.83	-240.33	131.01	-321.17	170.78	-432.38	170.06	-407.53	197.19	-379.53	175.14
10581	-1419.13	-277.73	151.78	-423.33	231.56	-493.22	268.86	-659.11	350.49	-887.34	349.00	-836.36	404.69	-778.89	359.44
10582	588.43	-29.21	108.23	-44.28	164.40	-51.51	190.67	-66.92	245.16	-66.98	297.49	-80.41	291.95	-71.65	269.30
10583	-672.84	-109.11	25.57	-165.85	38.77	-192.75	45.09	-252.56	58.59	-310.17	58.64	-306.28	70.40	-271.73	62.72
10585	-907.78	-212.64	144.67	-323.77	220.72	-377.16	256.29	-505.23	334.21	-649.39	332.73	-641.31	389.61	-586.36	342.98
10591	-649.89	-152.23	103.57	-231.79	158.02	-270.01	183.48	-361.70	239.27	-464.90	238.20	-459.12	278.92	-419.78	245.54
10592	641.95	-27.66	107.20	-41.98	163.05	-48.83	189.38	-63.45	247.66	-63.38	306.48	-75.21	304.18	-67.23	270.51
10593	-780.17	-118.09	27.03	-179.57	41.03	-209.04	47.72	-278.30	62.03	-348.69	61.95	-338.00	73.57	-307.46	65.77
10595	-226.92	-84.82	76.37	-129.12	116.52	-150.45	135.31	-201.36	176.51	-243.61	175.69	-249.06	207.81	-234.41	181.27
10601	-389.00	-145.41	130.92	-221.35	199.75	-257.91	231.96	-345.19	302.58	-417.62	301.18	-426.96	356.25	-401.85	310.75
10602	616.91	-33.09	105.03	-50.48	159.87	-58.66	185.87	-76.36	246.10	-76.13	300.83	-87.29	300.01	-78.11	274.82
10603	-800.93	-127.32	35.54	-193.59	54.21	-225.28	62.99	-301.28	82.00	-371.30	81.76	-363.45	93.70	-345.58	83.87
10605	42.58	-85.60	111.59	-130.04	170.26	-151.34	197.77	-199.78	258.03	-221.96	256.78	-247.54	307.83	-231.42	265.26
10611	26.61	-53.50	69.74	-81.28	106.41	-94.59	123.61	-124.86	161.27	-138.73	160.49	-154.72	192.39	-144.64	165.79
10612	527.58	-42.63	99.44	-65.04	151.25	-75.55	175.76	-98.34	232.80	-98.05	270.14	-111.22	283.05	-100.39	266.18
10613	-695.45	-119.10	45.70	-181.20	69.71	-210.82	80.99	-281.47	105.42	-336.18	105.12	-351.56	119.47	-328.10	107.67
10615	224.65	-25.81	60.60	-39.11	92.43	-45.24	107.45	-58.39	140.18	-60.29	139.52	-72.14	170.12	-66.67	144.29
10621	331.06	-38.04	89.31	-57.64	136.22	-66.68	158.34	-86.04	206.58	-88.85	205.61	-106.31	250.70	-98.25	212.64
10622	507.41	-55.28	103.43	-84.34	157.36	-97.98	182.87	-127.50	242.32	-127.15	271.50	-144.22	301.77	-130.22	280.73
10623	-875.98	-100.46	40.26	-153.51	61.21	-178.90	71.22	-242.04	91.13	-346.24	92.62	-301.21	106.48	-277.22	93.18
10624	286.06	-3.67	59.83	-5.65	90.35	-6.51	103.29	-6.97	104.32	-8.34	138.99	-8.95	139.75	-5.01	99.37
10625	416.65	-10.37	57.31	-15.80	87.05	-18.28	101.30	-23.09	130.09	-39.60	159.53	-35.06	164.90	-31.94	144.68
10631	271.52	-6.76	37.35	-10.29	56.73	-11.91	66.02	-15.04	84.78	-25.80	103.96	-22.85	107.46	-20.81	94.29
10633	-442.56	-78.93	6.96	-119.25	10.71	-137.42	12.33	-157.11	14.21	-205.02	15.86	-207.62	21.67	-160.97	12.97
10634	385.56	-4.54	65.63	-7.02	99.24	-8.04	113.63	-9.76	136.54	-10.38	168.96	-14.62	168.71	-11.41	149.80
10635	148.96	-6.50	22.72	-9.75	34.50	-11.25	40.13	-13.24	51.32	-22.80	63.27	-19.94	67.85	-18.16	58.86
10641	200.18	-8.73	30.53	-13.11	46.36	-15.12	53.93	-17.79	68.96	-30.64	85.03	-26.79	91.18	-24.40	79.10
10643	-476.43	-81.44	6.86	-123.05	10.57	-141.87	12.14	-176.78	15.04	-214.26	15.70	-217.87	23.78	-195.71	19.21
10644	437.57	-5.35	74.79	-8.13	112.91	-9.58	131.54	-12.80	166.47	-12.62	190.21	-20.12	202.09	-15.93	176.88
10645	6.55	-7.89	8.08	-12.01	12.31	-13.95	14.29	-17.88	18.05	-22.70	26.62	-25.94	25.66	-20.89	21.55
10651	12.27	-14.79	15.16	-22.52	23.07	-26.16	26.79	-33.53	33.85	-42.56	49.91	-48.63	48.12	-39.17	40.40
10653	-477.24	-88.44	6.33	-133.51	9.62	-155.55	11.34	-196.86	15.15	-224.97	14.94	-239.02	23.78	-209.18	18.86
10654	438.30	-7.20	94.79	-10.95	143.10	-12.80	165.69	-15.06	199.18	-16.59	243.27	-23.78	239.78	-19.02	206.82
10655	-264.95	-68.20	16.13	-103.30	24.42	-119.49	28.35	-144.34	35.17	-153.83	47.13	-177.74	52.67	-149.38	42.67
10661	-264.95	-68.20	16.13	-103.30	24.42	-119.49	28.35	-144.34	35.17	-153.83	47.13	-177.74	52.67	-149.38	42.67
10663	-383.86	-85.65	6.48	-129.29	9.85	-149.71	11.53	-180.00	13.60	-220.43	14.95	-217.02	21.78	-187.16	17.49
10664	361.59	-9.48	93.84	-14.16	141.48	-16.04	163.37	-17.74	185.28	-20.46	210.83	-21.69	218.43	-18.58	187.80
10665	-517.75	-118.74	15.92	-181.28	24.09	-209.08	27.97	-254.05	34.67	-267.30	41.34	-291.44	50.12	-247.96	39.56
10671	-339.05	-77.76	10.42	-118.71	15.78	-136.92	18.32	-166.37	22.71	-175.04	27.08	-190.86	32.82	-162.38	25.91
10673	-212.87	-62.49	12.55	-94.00	18.28	-108.50	19.97	-122.60	20.07	-138.76	24.20	-145.03	20.76	-124.50	17.63
10674	128.44	-35.95	65.09	-52.75	97.30	-59.46	111.63	-50.78	111.99	-73.12	140.42	-55.93	145.29	-35.02	115.25
10675	-390.99	-86.58	8.59	-131.71	13.05	-152.42	15.10	-177.11	18.51	-193.49	20.56	-198.73	25.88	-175.78	20.51
10681	-608.83	-134.81	13.37	-205.09	20.32	-237.33	23.52	-275.79	28.83	-301.29	32.01	-309.45	40.31	-273.72	31.94
10683	-124.24	-74.65	5.20	-111.14	7.79	-123.62	8.62	-107.63	7.37	-134.31	9.24	-134.50	9.54	-106.14	7.59
10685	-608.81	-134.80	13.37	-205.07	20.33	-237.31	23.52	-275.76	28.85	-301.25	32.00	-309.38	40.25	-273.69	31.87
10691	-390.98	-86.57	8.59	-131.69	13.05	-152.40	15.11	-177.10	18.52	-193.46	20.55	-198.68	25.85	-175.76	20.47

2012 NORTH TRUSS FORCES BASED ON 3D MODEL STAAD OUTPUT

Member	TRUSS MEMBER ENVELOPE FORCES TRANSFERRED TO GUSSET PLATE (KIPS)															
	Dead	2F1		3F1		4F1		5C1		(HS20-44)		HS-20 Truck Train		5C1 Truck Train		
		Compr.	Tens.	Compr.	Tens.	Compr.	Tens.	Compr.	Tens.	Compr.	Tens.	Compr.	Tens.	Compr.	Tens.	
10692	134.85	-31.98	68.66	-46.57	102.21	-52.85	117.93	-41.61	121.94	-64.15	147.76	-62.53	146.63	-44.87	115.47	
10693	-215.93	-65.88	11.60	-98.76	17.19	-114.37	18.74	-131.10	18.66	-145.51	29.75	-152.95	24.11	-128.59	18.82	
10695	-336.51	-74.78	6.93	-114.13	10.64	-131.79	12.27	-159.30	14.89	-167.56	15.49	-181.45	20.20	-157.38	15.32	
10701	-513.87	-114.19	10.59	-174.28	16.24	-201.25	18.74	-243.25	22.73	-255.87	23.65	-277.08	30.84	-240.33	23.40	
10702	359.11	-9.10	96.60	-13.62	145.41	-15.84	168.20	-18.55	192.50	-34.43	213.26	-24.90	224.17	-19.08	189.51	
10703	-379.81	-88.32	8.24	-132.99	12.37	-154.33	14.36	-186.96	17.23	-204.44	18.39	-223.25	24.50	-192.81	18.23	
10705	-267.20	-60.10	5.44	-90.48	8.17	-105.00	9.48	-127.04	11.29	-135.05	12.12	-151.63	16.01	-130.97	11.85	
10711	-267.20	-60.10	5.44	-90.48	8.17	-105.00	9.48	-127.04	11.29	-135.05	12.12	-151.63	16.01	-130.97	11.85	
10712	432.20	-8.83	96.85	-13.25	145.83	-15.38	169.22	-18.42	204.91	-19.70	224.80	-26.10	244.54	-19.35	211.29	
10713	-472.38	-86.13	7.89	-130.17	11.91	-150.77	13.77	-190.27	17.35	-212.90	18.14	-229.92	25.41	-201.24	20.42	
10715	0.04	0.05	0.05	0.05	0.05	0.05	0.05	0.05	0.05	0.05	0.05	0.05	0.05	0.05	0.05	
10721	0.02	0.05	0.05	0.05	0.05	0.05	0.05	0.05	0.05	0.05	0.05	0.05	0.05	0.05	0.05	
10722	433.03	-7.01	76.49	-10.58	115.60	-12.24	133.90	-15.42	169.06	-15.95	189.12	-22.59	204.31	-18.09	178.85	
10723	-496.98	-84.18	7.47	-126.77	11.23	-146.72	13.02	-183.89	16.41	-225.53	16.78	-223.64	22.53	-202.68	19.69	
10725	172.34	-2.76	30.53	-4.16	46.14	-4.81	53.44	-6.06	67.47	-6.27	69.52	-8.88	81.54	-7.11	71.38	
10731	114.78	-1.84	20.33	-2.77	30.73	-3.20	35.59	-4.03	44.94	-4.18	46.31	-5.91	54.30	-4.74	47.54	
10732	388.93	-6.12	67.54	-9.23	102.20	-10.69	117.09	-12.98	141.88	-13.36	173.78	-17.84	172.99	-15.39	155.66	
10733	-453.38	-79.38	7.61	-119.57	11.40	-138.26	13.27	-158.76	15.01	-204.70	16.77	-211.30	25.48	-179.06	19.92	
10735	236.28	-3.31	36.24	-5.02	55.20	-5.86	64.10	-7.46	82.29	-7.53	88.86	-10.73	97.25	-8.73	87.70	
10741	172.09	-2.41	26.39	-3.65	40.20	-4.27	46.69	-5.43	59.94	-5.48	64.72	-7.81	70.83	-6.36	63.87	
10742	306.17	-4.42	60.94	-6.67	92.27	-7.70	105.48	-7.53	107.79	-9.96	138.16	-13.17	146.77	-9.57	115.93	
10743	-937.62	-93.07	34.43	-142.04	52.32	-165.69	60.64	-226.92	79.07	-368.89	79.19	-317.90	94.36	-289.53	85.03	
10744	488.81	-51.55	86.81	-78.76	131.71	-91.55	153.97	-120.42	210.08	-118.76	343.24	-139.58	292.85	-126.94	267.91	
10745	228.29	-19.59	55.66	-29.72	85.07	-34.74	98.80	-47.37	128.86	-79.00	127.94	-67.66	146.89	-61.68	133.44	
10751	183.38	-15.73	44.71	-23.87	68.34	-27.91	79.36	-38.05	103.51	-63.46	102.77	-54.35	117.99	-49.55	107.18	
10753	-659.78	-98.86	41.97	-150.02	64.16	-175.36	74.65	-239.28	99.08	-391.28	97.00	-331.14	115.04	-304.17	105.28	
10754	603.93	-49.28	103.31	-75.35	156.70	-87.65	183.15	-116.27	249.35	-113.89	398.67	-135.15	337.12	-123.59	313.57	
10755	38.79	-32.35	47.03	-49.29	71.88	-57.47	83.49	-78.24	109.01	-127.91	108.13	-108.16	125.22	-99.69	113.56	
10761	82.43	-68.74	99.94	-104.75	152.74	-122.13	177.41	-166.26	231.65	-271.80	229.78	-229.83	266.09	-211.85	241.31	
10763	-719.86	-108.44	41.13	-164.47	62.80	-192.28	73.26	-262.36	98.77	-422.07	95.62	-354.15	114.13	-330.30	107.14	
10764	540.34	-37.95	90.69	-57.94	137.61	-67.59	160.78	-91.13	218.74	-88.22	348.51	-105.54	290.89	-99.08	272.53	
10765	-259.93	-118.79	118.77	-181.38	181.54	-211.57	210.93	-289.85	276.59	-479.96	273.47	-392.93	319.29	-369.31	289.84	
10771	-126.79	-57.95	57.94	-88.48	88.56	-103.20	102.89	-141.39	134.92	-234.13	133.40	-191.67	155.75	-180.15	141.39	
10773	-675.75	-106.03	43.05	-160.83	65.81	-188.01	76.74	-255.87	104.27	-405.23	100.35	-338.69	122.11	-317.74	114.47	
10774	551.20	-43.79	97.40	-66.94	147.75	-78.06	172.53	-106.07	233.45	-102.08	366.20	-124.22	314.10	-116.45	287.39	
10775	-348.10	-93.90	73.67	-143.49	112.59	-167.39	130.85	-229.87	171.94	-386.92	169.74	-317.69	199.26	-293.11	181.06	
10781	-663.20	-178.89	140.36	-273.38	214.51	-318.91	249.29	-437.94	327.57	-737.15	323.38	-605.25	379.63	-558.43	344.96	
10783	-570.57	-96.44	43.68	-146.19	66.78	-170.79	77.88	-231.55	105.83	-355.71	101.85	-308.05	123.89	-284.29	116.13	
10784	456.09	-45.74	90.64	-69.93	137.31	-81.55	160.42	-110.82	216.39	-106.65	327.99	-129.73	284.46	-121.61	261.99	
10785	-1033.23	-235.07	155.65	-359.46	238.00	-419.40	276.81	-575.92	366.46	-990.62	359.56	-805.24	423.28	-735.22	387.20	
10791	-1033.23	-235.07	155.65	-359.46	238.00	-419.40	276.81	-575.92	366.46	-990.62	359.56	-805.24	423.28	-735.22	387.20	
10793	-393.33	-80.54	40.91	-122.11	62.54	-142.55	72.94	-192.59	99.11	-293.66	95.38	-255.34	115.98	-234.19	108.72	
10794	342.55	-55.82	99.00	-85.35	149.77	-99.54	174.81	-135.25	233.60	-130.16	334.40	-158.28	307.08	-148.37	278.97	
10795	-1267.28	-278.49	167.06	-425.82	255.26	-496.90	297.17	-680.33	397.05	-1193.21	387.07	-954.27	454.50	-882.19	419.96	
10801	-1267.28	-278.49	167.06	-425.82	255.26	-496.90	297.17	-680.33	397.05	-1193.21	387.07	-954.27	454.50	-882.19	419.96	
10803	-171.65	-62.76	35.38	-95.01	54.09	-110.74	63.08	-147.54	85.72	-208.40	82.49	-194.29	100.26	-176.41	93.99	
10804	49.79	-49.76	77.26	-75.82	117.01	-88.20	136.24	-119.11	180.07	-115.33	226.30	-139.33	226.47	-130.61	204.87	
10805	-1301.21	-300.84	190.59	-459.93	291.37	-536.75	339.80	-732.02	461.71	-1311.41	444.35	-1041.39	540.54	-959.21	506.72	
10811	-553.17	-127.89	81.03	-195.52	123.87	-228.19	144.45	-311.20	196.28	-557.51	188.90	-442.72	229.80	-407.78	215.42	
10813	27.11	-49.38	36.44	-74.85	55.26	-87.07	63.92	-115.24	82.48	-138.50	83.37	-142.55	98.32	-128.73	85.63	
10814	-232.05	-57.69	61.45	-87.71	92.94	-101.75	108.00	-133.06	141.09	-133.18	149.73	-163.32	155.55	-155.89	142.54	
10815	-702.94	-189.41	136.82	-289.49	209.17	-337.83	243.93	-460.09	331.46	-838.28	318.99	-659.91	387.99	-604.72	363.71	
10821	-1138.62	-306.81	221.62	-468.91	338.81	-547.22	395.12	-745.25	536.89	-1357.85	516.70	-1068.92	628.46	-979.52	589.13	
10823	-131.62	-70.00	5.03	-104.24	7.57	-116.05	8.43	-101.56	7.43	-126.52	9.32	-127.05	9.36	-101.22	7.39	
10825	-1138.62	-306.83	221.62	-468.93	338.81	-547.25	395.12	-745.30	536.89	-1357.87	516.70	-1068.95	628.46	-979.55	589.13	

2012 NORTH TRUSS FORCES BASED ON 3D MODEL STAAD OUTPUT

Member	TRUSS MEMBER ENVELOPE FORCES TRANSFERRED TO GUSSET PLATE (KIPS)															
	Dead	2F1		3F1		4F1		5C1		(HS20-44)		HS-20 Truck Train		5C1 Truck Train		
		Compr.	Tens.	Compr.	Tens.	Compr.	Tens.	Compr.	Tens.	Compr.	Tens.	Compr.	Tens.	Compr.	Tens.	
10831	-404.84	-109.09	78.80	-166.73	120.46	-194.58	140.49	-264.99	190.89	-482.80	183.72	-380.07	223.45	-348.29	209.47	
10832	516.83	-38.60	72.78	-58.50	110.41	-67.59	127.93	-87.13	167.65	-87.97	266.85	-93.33	241.38	-84.18	193.25	
10833	-506.89	-57.84	23.41	-87.92	35.38	-102.09	40.73	-135.98	51.33	-237.10	52.82	-206.14	62.72	-172.54	53.31	
10835	-458.65	-171.92	143.51	-262.70	219.41	-306.35	255.88	-419.28	347.69	-742.50	334.61	-598.43	406.93	-550.93	381.46	
10841	-778.38	-291.76	243.56	-445.84	372.36	-519.90	434.25	-711.57	590.07	-1260.11	567.87	-1015.61	690.60	-935.00	647.38	
10842	589.00	-23.22	70.17	-35.49	106.58	-41.22	123.78	-53.88	164.66	-53.40	268.61	-65.46	232.07	-56.95	195.88	
10843	-513.37	-54.66	16.21	-83.09	24.77	-96.55	28.77	-129.83	37.61	-222.59	37.28	-184.66	48.70	-168.08	43.03	
10845	-272.70	-261.30	255.54	-399.20	390.69	-465.63	455.63	-638.24	619.13	-1089.24	595.83	-904.26	724.49	-832.02	679.15	
10851	-149.64	-143.38	140.22	-219.05	214.38	-255.51	250.02	-350.22	339.74	-597.70	326.95	-496.20	397.56	-456.56	372.68	
10852	701.71	-25.73	82.91	-39.33	125.97	-45.70	146.38	-60.14	196.21	-59.29	314.63	-71.50	260.20	-64.51	240.52	
10853	-778.77	-82.63	23.23	-125.63	35.49	-146.11	41.24	-197.24	54.25	-331.11	53.48	-273.30	66.69	-252.40	60.06	
10855	158.30	-115.01	135.08	-175.84	206.53	-205.11	240.86	-281.33	327.30	-458.16	314.97	-396.32	382.93	-361.88	358.97	
10861	299.64	-217.70	255.69	-332.84	390.93	-388.25	455.91	-532.51	619.53	-867.23	596.20	-750.17	724.83	-684.98	679.47	
10862	659.00	-29.34	86.18	-44.75	131.02	-52.13	152.35	-69.52	205.97	-67.90	322.47	-82.65	274.16	-75.64	254.27	
10863	-801.09	-96.66	29.66	-147.01	45.24	-170.92	52.71	-232.12	70.27	-369.84	68.64	-314.76	83.54	-290.52	76.43	
10865	838.90	-165.46	241.21	-253.16	368.79	-295.20	430.09	-403.39	584.46	-619.01	562.43	-559.17	683.65	-515.10	640.87	
10871	262.79	-51.83	75.56	-79.30	115.52	-92.47	134.73	-126.36	183.08	-193.91	176.18	-175.16	214.16	-161.36	200.75	
10872	550.09	-41.01	90.80	-62.65	138.00	-73.09	160.47	-99.26	217.27	-95.58	336.69	-115.87	296.30	-108.83	272.20	
10873	-706.57	-103.31	41.55	-157.10	63.48	-182.63	74.06	-247.94	100.58	-388.10	96.85	-331.61	117.43	-312.62	110.30	
10875	683.36	-61.52	117.31	-94.05	179.36	-109.58	209.17	-148.90	284.26	-218.24	295.39	-200.39	333.24	-187.15	311.60	
10881	1239.81	-111.61	212.84	-170.63	325.41	-198.81	379.50	-270.14	515.73	-395.96	535.92	-363.57	604.60	-339.54	565.34	
10882	467.81	-70.91	111.16	-108.31	168.91	-126.38	196.57	-171.61	265.57	-165.27	392.68	-200.14	357.27	-187.92	333.01	
10883	-549.26	-108.32	61.72	-164.56	94.28	-191.38	110.01	-258.60	149.38	-390.37	143.86	-350.88	174.21	-324.08	163.57	
10885	1467.04	-65.04	179.19	-99.30	273.96	-115.58	319.50	-155.02	434.21	-220.76	528.16	-207.71	545.94	-190.02	499.55	
10891	596.76	-26.46	72.89	-40.39	111.44	-47.01	129.97	-63.06	176.63	-89.80	214.84	-84.49	222.08	-77.30	203.21	
10892	257.36	-78.27	101.30	-119.54	153.75	-139.50	179.00	-189.41	239.81	-182.43	341.76	-220.81	324.97	-207.30	296.20	
10893	-362.92	-98.18	66.39	-149.07	101.40	-173.38	118.32	-232.41	160.66	-327.03	154.73	-313.96	187.36	-287.47	175.90	
10895	605.02	-10.99	57.41	-16.68	87.78	-19.40	102.37	-25.57	139.22	-35.18	198.65	-42.38	188.25	-38.08	170.42	
10901	1567.55	-28.47	148.74	-43.21	227.43	-50.28	265.22	-66.26	360.71	-91.15	514.69	-109.81	487.75	-98.65	441.53	
10902	-64.42	-91.28	90.12	-139.42	136.76	-162.68	159.19	-220.88	211.42	-212.74	305.22	-257.55	286.54	-241.77	261.26	
10903	302.24	-100.89	148.14	-154.15	226.33	-179.41	263.55	-241.70	355.21	-303.73	344.46	-314.75	420.86	-284.23	392.11	
10904	-423.07	-68.28	56.31	-104.13	85.08	-121.22	96.88	-161.23	93.58	-184.98	119.53	-195.53	81.79	-177.71	63.88	
10905	1687.75	-13.80	147.69	-21.12	225.93	-24.56	263.28	-33.27	357.60	-35.03	543.31	-73.14	511.69	-60.93	458.80	
10911	649.13	-5.31	56.81	-8.12	86.90	-9.44	101.26	-12.80	137.54	-13.47	208.96	-28.13	196.80	-23.43	176.46	
10913	-140.94	-75.69	25.81	-114.36	39.00	-131.84	45.51	-148.63	59.03	-168.15	60.87	-145.42	70.73	-107.80	63.21	
10914	13.33	-30.92	64.55	-46.83	97.58	-54.52	111.57	-70.80	114.44	-73.68	139.03	-86.83	102.37	-78.23	82.50	
10915	945.51	-8.15	90.09	-12.49	137.75	-14.53	160.38	-19.58	216.86	-19.02	311.46	-40.46	296.31	-33.42	265.60	
10921	790.20	-6.81	75.29	-10.44	115.12	-12.14	134.04	-16.37	181.24	-15.89	260.30	-33.81	247.64	-27.93	221.98	
10923	-366.53	-81.86	6.71	-123.68	10.33	-142.63	11.88	-162.56	13.66	-182.14	15.27	-189.38	17.37	-160.09	14.00	
10924	275.17	-5.59	70.37	-8.60	106.37	-9.88	121.93	-10.45	127.65	-12.58	152.89	-14.22	152.42	-12.28	130.03	
10925	538.04	-5.04	56.28	-7.71	85.93	-8.98	100.05	-12.01	134.10	-11.76	181.95	-22.73	176.44	-18.70	157.04	
10931	679.94	-6.37	71.13	-9.75	108.59	-11.35	126.44	-15.17	169.46	-14.87	229.94	-28.72	222.97	-23.63	198.45	
10933	-502.34	-81.20	7.37	-122.65	11.27	-141.62	13.07	-163.21	14.91	-209.20	16.84	-216.17	25.70	-189.04	21.62	
10934	495.81	-6.97	79.76	-10.76	120.58	-12.29	138.37	-13.07	147.64	-15.60	201.36	-21.60	199.01	-19.88	172.23	
10935	526.86	-5.48	61.02	-8.36	92.88	-9.77	108.16	-12.92	142.94	-12.80	184.24	-23.41	186.24	-18.69	164.30	
10941	885.49	-9.21	102.55	-14.06	156.11	-16.42	181.79	-21.71	240.24	-21.51	309.65	-39.34	313.01	-31.42	276.14	
10943	-506.16	-60.85	5.32	-91.90	8.11	-106.79	9.44	-134.38	11.34	-189.91	12.21	-179.61	20.76	-162.70	18.48	
10944	638.50	-6.99	78.73	-10.65	118.89	-12.41	137.68	-16.06	179.41	-19.46	246.20	-29.65	237.65	-23.80	204.89	
10945	380.49	-4.33	48.81	-6.55	73.80	-7.71	86.23	-10.17	113.62	-10.09	149.50	-18.12	145.29	-14.70	130.83	
10951	527.61	-6.00	67.68	-9.08	102.34	-10.69	119.58	-14.10	157.56	-14.00	207.31	-25.12	201.47	-20.38	181.42	
10953	-525.88	-62.25	5.53	-94.45	8.37	-110.33	9.85	-147.83	13.13	-203.66	14.70	-195.31	24.38	-169.54	19.46	
10954	693.70	-7.91	88.81	-11.96	134.29	-14.09	156.91	-18.58	206.74	-18.44	305.93	-33.06	264.36	-26.84	238.05	
10955	0.01	0.05	0.05	0.05	0.05	0.05	0.05	0.05	0.05	0.05	0.05	0.05	0.05	0.05	0.05	
10961	0.02	0.05	0.05	0.05	0.05	0.05	0.05	0.05	0.05	0.05	0.05	0.05	0.05	0.05	0.05	
10963	-643.61	-89.13	7.93	-134.77	11.99	-157.47	14.13	-207.46	18.63	-306.97	18.49	-265.30	33.15	-238.89	26.91	

2012 NORTH TRUSS FORCES BASED ON 3D MODEL STAAD OUTPUT

TRUSS MEMBER ENVELOPE FORCES TRANSFERRED TO GUSSET PLATE (KIPS)															
Member	Dead	2F1		3F1		4F1		5C1		(HS20-44)		HS-20 Truck Train		5C1 Truck Train	
		Compr.	Tens.	Compr.	Tens.	Compr.	Tens.	Compr.	Tens.	Compr.	Tens.	Compr.	Tens.	Compr.	Tens.
10964	516.41	-7.23	79.93	-10.94	120.65	-12.86	140.83	-16.55	181.75	-16.77	216.51	-27.20	224.44	-22.77	203.29
10965	-577.05	-89.54	8.06	-135.16	12.20	-157.75	14.34	-203.51	18.40	-217.72	18.70	-251.26	30.20	-227.57	25.27
10971	-293.53	-45.55	4.10	-68.75	6.21	-80.24	7.29	-103.52	9.36	-110.75	9.51	-127.81	15.36	-115.76	12.86
10973	-500.25	-79.83	7.23	-120.49	10.94	-140.65	12.86	-181.53	16.56	-216.25	16.78	-224.18	27.23	-203.07	22.81
10974	581.65	-16.21	105.53	-23.34	158.95	-25.85	185.22	-28.46	233.15	-31.64	245.10	-36.36	282.75	-29.31	244.19
10975	-540.96	-83.34	7.69	-126.92	11.78	-147.33	13.68	-188.82	17.59	-198.54	17.81	-226.19	27.38	-204.65	23.47
10981	-559.61	-86.21	7.96	-131.29	12.19	-152.41	14.15	-195.33	18.19	-205.39	18.43	-233.99	28.32	-211.71	24.28
10983	-360.22	-68.51	11.09	-103.18	15.99	-120.26	17.59	-151.39	19.16	-158.76	21.40	-183.61	24.18	-158.43	19.48
10984	365.18	-29.70	87.89	-43.59	131.89	-48.58	153.56	-42.87	186.54	-59.92	198.50	-50.65	223.22	-34.98	177.76
10985	-571.37	-87.16	8.20	-133.15	12.56	-154.37	14.55	-197.42	19.04	-212.62	18.92	-233.15	27.79	-214.20	25.13
10991	-776.93	-118.51	11.16	-181.05	17.08	-209.90	19.78	-268.45	25.89	-289.11	25.73	-317.03	37.79	-291.26	34.17
10993	-208.20	-55.09	20.42	-82.62	29.98	-96.25	33.40	-116.96	28.88	-124.40	41.17	-139.97	33.85	-110.91	23.22
10994	121.80	-48.95	69.73	-73.03	104.01	-82.99	120.82	-84.81	138.54	-105.39	154.86	-77.97	157.60	-59.31	109.56
10995	-805.61	-123.84	12.69	-188.63	19.33	-219.22	22.47	-273.14	29.40	-299.78	29.03	-328.62	44.64	-290.40	37.20
11001	-1393.04	-214.13	21.94	-326.17	33.43	-379.07	38.86	-472.31	50.83	-518.38	50.20	-568.23	77.19	-502.15	64.32
11003	-127.00	-73.96	5.48	-110.14	8.24	-122.60	9.17	-107.20	8.02	-133.60	10.08	-133.69	10.11	-83.07	3.82
11005	-1393.00	-214.11	21.93	-326.12	33.41	-379.03	38.84	-472.26	50.81	-517.88	50.18	-568.19	77.18	-502.12	64.30
11011	-711.32	-109.33	11.20	-166.53	17.06	-193.55	19.84	-241.16	25.94	-264.45	25.62	-290.14	39.41	-256.40	32.83
11012	124.82	-50.67	67.61	-74.91	101.58	-86.77	116.40	-89.75	133.63	-109.71	149.86	-77.01	149.04	-62.30	102.77
11013	-204.16	-53.00	22.45	-79.98	32.58	-92.11	37.45	-112.10	32.06	-119.49	45.96	-131.18	29.61	-102.88	20.18
11015	-688.43	-108.10	12.99	-164.76	19.73	-191.18	23.04	-243.06	30.04	-262.72	29.87	-287.39	43.66	-261.95	37.73
11021	-597.76	-93.86	11.28	-143.07	17.13	-166.00	20.00	-211.05	26.09	-228.12	25.94	-249.54	37.91	-227.45	32.77
11022	369.97	-32.23	86.09	-46.70	129.93	-53.74	149.64	-46.34	182.29	-65.89	194.15	-43.10	213.54	-29.24	168.57
11023	-362.28	-66.58	10.84	-100.75	16.12	-116.41	17.68	-146.97	19.31	-159.07	22.03	-176.57	19.37	-150.37	14.56
11025	-552.71	-91.43	14.51	-139.56	22.05	-161.79	25.71	-207.37	33.43	-219.41	33.73	-246.01	46.47	-224.79	42.20
11031	-548.78	-90.78	14.41	-138.57	21.90	-160.64	25.52	-205.89	33.19	-217.85	33.49	-244.26	46.14	-223.19	41.90
11032	593.21	-15.96	103.56	-23.75	156.71	-26.06	181.07	-28.85	228.67	-32.72	248.33	-29.30	274.85	-22.03	234.37
11033	-505.49	-77.66	5.91	-117.72	8.89	-136.33	10.36	-176.56	13.34	-210.45	13.57	-216.14	19.59	-196.41	16.14
11035	-312.50	-59.71	15.55	-90.27	23.60	-104.95	27.53	-133.34	35.86	-136.55	37.78	-162.68	48.31	-147.14	42.74
11041	-555.89	-106.21	27.66	-160.58	41.99	-186.68	48.98	-237.19	63.79	-242.90	67.20	-289.39	85.93	-261.73	76.02
11042	629.26	-7.11	93.60	-10.70	141.89	-12.46	164.32	-16.05	212.82	-16.33	253.69	-23.63	260.56	-19.47	236.76
11043	-647.56	-83.92	5.97	-127.36	8.97	-147.79	10.46	-194.28	14.08	-239.57	13.80	-247.99	24.37	-222.59	19.70
11045	44.18	-23.82	27.27	-36.30	41.56	-42.19	48.38	-54.53	63.45	-54.38	75.09	-67.34	79.82	-58.37	70.15
11051	25.44	-13.71	15.70	-20.90	23.93	-24.29	27.85	-31.40	36.53	-31.31	43.23	-38.77	45.95	-33.61	40.39
11052	742.21	-5.96	92.07	-8.94	139.76	-10.45	162.25	-13.86	213.63	-13.68	267.06	-25.47	272.95	-20.07	244.68
11053	-735.86	-84.22	5.90	-128.15	8.90	-149.01	10.26	-200.16	13.98	-268.97	13.49	-266.44	27.71	-229.73	21.07
11055	607.35	-17.21	66.42	-25.89	101.36	-29.84	118.36	-37.03	159.15	-38.32	187.56	-36.83	200.73	-33.07	177.13
11061	351.99	-9.97	38.50	-15.00	58.74	-17.29	68.60	-21.46	92.24	-22.21	108.70	-21.35	116.33	-19.17	102.65
11062	652.20	-5.54	79.24	-8.30	119.17	-9.64	138.19	-12.38	178.76	-12.19	240.01	-24.30	238.20	-18.44	203.39
11063	-490.83	-59.10	4.21	-89.15	6.31	-103.33	7.34	-128.90	8.62	-183.35	9.34	-178.79	15.27	-155.35	13.50
11065	839.91	-11.49	86.76	-17.30	132.17	-19.96	153.98	-24.49	207.34	-25.65	259.81	-28.62	261.95	-25.45	230.75
11071	478.95	-6.55	49.47	-9.87	75.37	-11.38	87.81	-13.96	118.24	-14.63	148.16	-16.32	149.37	-14.51	131.58
11072	559.18	-5.70	81.46	-8.60	122.91	-9.94	141.56	-10.26	155.86	-12.13	218.58	-15.94	220.48	-14.74	182.36
11073	-562.59	-82.36	6.27	-123.91	9.39	-143.68	10.94	-168.91	12.47	-223.83	13.85	-224.78	21.20	-197.83	17.95
11075	935.62	-8.45	88.61	-12.66	135.13	-14.68	157.58	-18.11	212.60	-23.39	285.08	-24.65	272.44	-21.62	248.09
11081	0.05	0.05	0.05	0.05	0.05	0.05	0.05	0.05	0.05	0.05	0.05	0.05	0.05	0.05	0.05
11082	310.66	-5.35	72.14	-8.09	109.06	-9.35	125.12	-9.60	132.88	-11.42	155.96	-11.68	159.17	-10.18	136.18
11083	-373.71	-79.25	6.65	-119.35	9.96	-138.13	11.62	-158.69	13.34	-175.36	14.72	-186.64	16.69	-161.57	12.29
11085	1857.86	-12.76	160.85	-19.36	245.89	-22.40	286.49	-27.25	388.81	-43.68	556.70	-43.10	516.32	-37.53	471.76
11091	0.05	0.05	0.05	0.05	0.05	0.05	0.05	0.05	0.05	0.05	0.05	0.05	0.05	0.05	0.05
11092	-131.63	-43.87	61.09	-66.51	92.66	-77.54	105.47	-101.95	103.23	-101.10	129.65	-129.31	91.02	-116.40	71.79
11093	-18.12	-76.22	37.90	-115.07	57.57	-132.44	67.00	-145.63	87.27	-166.06	87.16	-129.32	107.41	-96.69	96.69
11095	1799.20	-10.79	142.01	-16.51	217.21	-19.25	253.15	-27.45	345.38	-45.32	528.89	-42.86	479.23	-38.47	439.03
11101	1155.04	-6.93	91.16	-10.60	139.44	-12.36	162.52	-17.63	221.73	-29.09	339.53	-27.51	307.65	-24.70	281.84
11102	-420.91	-68.50	56.64	-104.56	85.88	-121.71	97.70	-162.29	94.36	-175.56	119.90	-201.49	85.87	-183.04	66.91

2012 NORTH TRUSS FORCES BASED ON 3D MODEL STAAD OUTPUT

Member	TRUSS MEMBER ENVELOPE FORCES TRANSFERRED TO GUSSET PLATE (KIPS)															
	Dead	2F1		3F1		4F1		5C1		(HS20-44)		HS-20 Truck Train		5C1 Truck Train		
		Compr.	Tens.	Compr.	Tens.	Compr.	Tens.	Compr.	Tens.	Compr.	Tens.	Compr.	Tens.	Compr.	Tens.	
11103	170.20	-97.01	145.73	-148.18	222.79	-172.67	259.39	-234.30	349.51	-280.56	338.55	-305.86	412.92	-278.69	385.09	
11104	155.15	-83.94	89.36	-128.35	135.88	-149.68	158.01	-203.33	211.32	-195.64	280.21	-239.25	279.51	-224.31	249.83	
11105	969.86	-21.08	88.44	-32.07	135.21	-37.28	157.73	-48.32	215.42	-62.94	304.58	-64.59	291.39	-58.59	269.38	
11111	640.85	-13.93	58.44	-21.19	89.34	-24.64	104.22	-31.93	142.34	-41.59	201.26	-42.68	192.54	-38.71	178.00	
11113	-507.05	-99.35	66.75	-151.04	102.07	-175.51	119.03	-236.98	161.73	-334.08	155.59	-318.95	190.31	-287.15	178.43	
11114	437.34	-78.11	103.44	-119.44	157.38	-139.29	182.77	-189.23	246.34	-182.07	340.10	-222.66	330.06	-208.76	299.33	
11115	557.47	-26.57	68.64	-40.45	104.90	-47.01	122.38	-62.93	166.85	-81.37	200.12	-82.32	211.88	-75.17	196.29	
11121	1438.02	-68.55	177.05	-104.34	270.60	-121.27	315.69	-162.34	430.39	-209.89	516.21	-212.34	546.57	-193.90	506.34	
11123	-817.30	-106.34	51.90	-161.89	79.36	-187.92	92.56	-256.76	125.77	-395.52	120.99	-349.80	148.03	-318.12	138.79	
11124	569.28	-44.63	82.54	-68.24	125.59	-79.58	145.83	-108.13	198.98	-104.03	298.99	-127.27	265.90	-119.32	237.03	
11125	1062.80	-112.89	205.68	-172.01	314.28	-200.18	366.68	-268.52	499.63	-381.89	495.54	-358.90	585.71	-329.26	550.52	
11131	511.42	-54.32	98.98	-82.77	151.23	-96.33	176.45	-129.21	240.42	-183.77	238.45	-172.70	281.85	-158.44	264.91	
11133	-1035.37	-106.38	32.00	-161.99	48.93	-188.37	57.08	-259.78	77.62	-420.54	74.63	-349.27	91.38	-310.90	85.70	
11134	895.72	-32.91	99.75	-50.32	151.76	-58.70	176.37	-79.82	241.84	-76.75	374.93	-93.97	325.89	-88.12	291.18	
11135	223.04	-75.93	105.12	-115.74	160.60	-134.91	187.37	-183.18	255.20	-274.11	245.05	-254.21	299.12	-229.86	280.95	
11141	479.55	-163.24	226.00	-248.83	345.29	-290.05	402.84	-393.84	548.68	-589.34	526.85	-546.54	643.10	-494.19	604.05	
11143	-1129.12	-99.31	10.52	-151.17	16.10	-175.90	18.79	-243.72	25.84	-411.99	24.67	-328.82	31.57	-303.03	29.15	
11144	930.95	-10.10	87.67	-15.45	133.37	-18.04	155.20	-25.06	212.83	-23.72	342.55	-30.34	280.14	-28.02	259.96	
11145	-231.33	-211.16	231.81	-322.20	354.16	-375.72	413.16	-513.72	562.56	-825.63	540.30	-722.76	659.28	-663.64	618.96	
11151	-118.97	-108.60	119.21	-165.70	182.14	-193.23	212.48	-264.20	289.32	-424.61	277.87	-371.71	339.06	-341.30	318.32	
11153	-1060.30	-85.09	8.93	-129.47	13.33	-150.91	15.22	-208.28	17.31	-365.11	19.45	-291.44	19.50	-264.63	16.74	
11154	921.45	-11.23	80.93	-16.94	122.96	-19.51	143.07	-23.57	194.22	-25.41	315.05	-20.17	255.20	-18.70	235.02	
11155	-354.12	-94.74	84.68	-144.58	129.37	-168.57	150.91	-230.54	205.45	-386.54	197.34	-324.20	240.74	-298.56	225.94	
11161	-927.46	-248.12	221.78	-378.66	338.83	-441.50	395.25	-603.79	538.07	-1012.36	516.85	-849.11	630.52	-781.95	591.76	
11163	-667.25	-62.44	15.50	-94.87	23.33	-110.46	26.86	-150.30	32.50	-231.44	34.78	-208.34	31.71	-188.63	28.87	
11164	795.66	-28.24	82.33	-42.62	124.93	-49.22	145.21	-60.94	194.14	-63.80	278.10	-53.05	265.19	-48.33	226.39	
11165	-1509.93	-302.87	226.90	-462.47	346.64	-539.21	404.35	-735.10	550.36	-1149.85	528.73	-1036.22	644.86	-952.19	605.08	
11171	-615.81	-123.52	92.54	-188.61	141.38	-219.91	164.91	-299.80	224.46	-468.96	215.64	-422.61	263.00	-388.35	246.78	
11173	-513.94	-54.35	20.67	-82.46	31.23	-95.88	36.05	-128.27	44.63	-186.07	46.72	-176.77	39.87	-150.68	36.27	
11174	716.75	-45.96	88.73	-69.66	134.35	-80.69	155.80	-102.30	203.69	-105.11	261.96	-84.49	265.46	-79.37	220.61	
11175	-1052.23	-171.79	110.58	-262.23	168.93	-305.85	197.04	-415.64	268.15	-666.15	257.64	-587.63	314.16	-532.35	294.75	
11181	-1954.99	-319.17	205.46	-487.22	313.87	-568.26	366.10	-772.23	498.21	-1237.68	478.69	-1091.79	583.69	-989.07	547.64	
11183	-158.27	-91.36	2.37	-134.60	3.46	-148.89	3.85	-128.92	3.36	-161.89	4.28	-161.60	4.21	-99.73	3.35	
11185	-1954.95	-318.91	205.29	-486.83	313.61	-567.80	365.80	-771.58	497.80	-1238.07	478.29	-1090.88	583.21	-988.23	547.19	
11191	-1088.47	-177.56	114.30	-271.05	174.61	-316.14	203.67	-429.60	277.16	-689.33	266.30	-607.38	324.72	-550.22	304.67	
11192	-432.14	-74.28	61.27	-112.28	93.18	-130.00	107.99	-167.00	139.55	-172.05	141.06	-197.20	119.15	-183.91	109.28	
11193	169.44	-54.91	49.70	-83.63	74.79	-97.17	86.20	-128.26	108.18	-127.34	111.86	-131.52	121.75	-112.15	103.35	
11195	-1163.33	-166.86	94.27	-254.70	144.01	-296.98	167.96	-403.76	228.53	-638.80	219.60	-567.52	267.70	-521.25	251.15	
11201	-2229.71	-319.82	180.69	-488.17	276.01	-569.21	321.92	-773.87	438.02	-1224.36	420.90	-1087.75	513.09	-999.06	481.37	
11202	-85.64	-58.36	82.10	-88.05	125.00	-101.82	145.16	-129.66	191.46	-132.46	190.25	-143.88	210.38	-129.64	181.57	
11203	-96.71	-72.93	39.76	-111.11	60.34	-129.13	70.07	-172.67	89.96	-179.49	91.13	-188.00	104.43	-181.70	96.23	
11205	-2283.32	-300.85	151.80	-459.45	231.89	-536.07	270.43	-733.00	367.89	-1132.47	353.56	-1017.49	430.87	-941.53	404.19	
11211	-1219.86	-160.73	81.10	-245.46	123.89	-286.39	144.48	-391.61	196.54	-605.02	188.89	-543.59	230.19	-503.01	215.94	
11212	283.87	-52.30	104.94	-79.90	159.76	-93.21	185.76	-126.89	248.14	-121.88	282.76	-148.69	285.05	-139.55	272.03	
11213	-389.02	-91.75	41.67	-139.96	63.66	-163.02	74.26	-221.36	101.10	-274.58	97.11	-279.98	118.47	-259.06	111.20	
11215	-1052.56	-130.45	59.82	-199.24	91.37	-232.60	106.54	-320.11	144.91	-483.45	139.30	-443.05	169.70	-409.83	159.17	
11221	-2105.13	-260.90	119.63	-398.48	182.74	-465.20	213.08	-640.22	289.83	-966.91	278.60	-886.09	339.39	-819.65	318.35	
11222	616.82	-55.58	121.61	-84.90	185.42	-99.03	215.96	-134.75	292.87	-129.48	377.02	-157.86	377.47	-148.11	348.55	
11223	-477.43	-79.92	33.36	-121.99	50.96	-142.18	59.44	-194.79	80.88	-260.64	77.72	-256.69	94.75	-230.58	88.90	
11225	-1733.68	-206.31	87.06	-314.97	133.11	-367.84	155.22	-508.04	210.74	-751.86	202.84	-698.76	247.77	-640.61	232.26	
11231	-755.92	-89.95	37.96	-137.33	58.04	-160.38	67.68	-221.52	91.89	-327.82	88.44	-304.67	108.03	-279.32	101.27	
11232	839.47	-54.38	129.75	-83.07	197.96	-96.87	230.73	-131.77	315.55	-126.65	426.43	-154.32	419.04	-144.76	376.91	
11233	-827.88	-115.77	45.10	-176.93	68.90	-206.56	80.35	-286.14	109.30	-398.08	105.05	-378.90	128.00	-335.40	120.07	
11235	-493.35	-56.82	22.53	-86.75	34.45	-101.31	40.18	-140.63	54.56	-204.47	52.51	-190.20	64.16	-176.72	60.14	
11241	-1265.83	-145.79	57.82	-222.59	88.40	-259.94	103.09	-360.82	139.99	-524.63	134.73	-488.02	164.61	-453.43	154.31	

2012 NORTH TRUSS FORCES BASED ON 3D MODEL STAAD OUTPUT

TRUSS MEMBER ENVELOPE FORCES TRANSFERRED TO GUSSET PLATE (KIPS)															
Member	Dead	2F1		3F1		4F1		5C1		(HS20-44)		HS-20 Truck Train		5C1 Truck Train	
		Compr.	Tens.	Compr.	Tens.	Compr.	Tens.	Compr.	Tens.	Compr.	Tens.	Compr.	Tens.	Compr.	Tens.
11242	781.03	-41.10	104.33	-62.84	159.41	-73.27	186.06	-99.48	257.74	-95.76	357.44	-116.96	342.02	-109.64	304.85
11243	-963.41	-118.90	44.11	-181.79	67.44	-212.39	78.64	-297.30	106.77	-423.87	102.77	-404.12	125.53	-371.36	117.67
11245	-797.11	-89.85	33.77	-137.20	51.64	-160.26	60.22	-223.65	81.78	-317.93	78.71	-308.00	96.18	-284.94	90.17
11251	-540.41	-60.91	22.90	-93.02	35.01	-108.65	40.83	-151.62	55.45	-215.55	53.36	-208.81	65.21	-193.18	61.13
11252	745.68	-33.81	90.51	-51.69	138.34	-60.28	161.58	-81.86	225.71	-78.78	316.19	-96.27	306.66	-90.24	281.71
11253	-973.23	-109.40	39.17	-167.35	59.48	-195.72	69.36	-276.29	94.19	-402.63	90.65	-382.67	110.77	-353.97	103.84
11255	-257.45	-26.98	9.77	-41.25	14.93	-48.23	17.42	-67.93	23.65	-99.43	22.76	-94.47	27.82	-86.89	26.08
11261	-386.18	-40.47	14.65	-61.88	22.40	-72.35	26.12	-101.90	35.48	-149.15	34.14	-141.71	41.73	-130.33	39.12
11262	921.34	-34.69	95.72	-53.03	146.38	-61.85	171.19	-84.00	241.38	-80.84	365.51	-98.80	335.67	-92.63	308.89
11263	-958.08	-89.24	33.81	-136.57	51.12	-159.97	59.04	-229.67	78.11	-359.03	80.64	-329.30	91.87	-308.48	83.04
11273	-542.16	-87.49	17.16	-133.13	27.42	-154.89	29.16	-210.40	38.98	-231.47	42.81	N/A	N/A	N/A	N/A
11274	583.77	-14.35	99.76	-21.46	151.32	-24.35	175.50	-27.32	229.91	-30.85	247.36	N/A	N/A	N/A	N/A
11275	-342.99	-58.72	8.58	-88.98	12.82	-103.08	14.55	-134.14	16.28	-135.31	18.42	N/A	N/A	N/A	N/A
11281	-342.99	-58.72	8.58	-88.98	12.82	-103.08	14.55	-134.14	16.28	-135.31	18.42	N/A	N/A	N/A	N/A
11283	-462.42	-80.98	11.65	-122.83	17.42	-142.46	19.77	-186.62	22.18	-201.23	25.04	N/A	N/A	N/A	N/A
11284	441.40	-14.54	86.96	-20.96	131.51	-22.70	152.00	-22.67	193.00	-27.93	198.96	N/A	N/A	N/A	N/A
11285	-587.51	-99.05	11.30	-149.75	17.03	-173.07	19.66	-224.02	23.22	-226.38	24.94	N/A	N/A	N/A	N/A
11291	-261.12	-44.02	5.02	-66.56	7.57	-76.92	8.74	-99.56	10.32	-100.61	11.08	N/A	N/A	N/A	N/A
11293	-349.03	-71.87	12.70	-108.70	18.29	-125.64	19.79	-159.59	19.68	-164.47	24.33	N/A	N/A	N/A	N/A
11294	287.74	-24.37	74.82	-35.80	112.74	-39.84	129.76	-33.46	158.04	-49.57	169.05	N/A	N/A	N/A	N/A
11295	-382.27	-63.88	6.10	-96.31	9.20	-112.10	10.68	-142.80	12.81	-144.92	13.73	N/A	N/A	N/A	N/A
11301	-749.83	-125.29	11.97	-188.92	18.04	-219.90	20.96	-280.11	25.13	-284.26	26.93	N/A	N/A	N/A	N/A
11303	-224.84	-61.79	20.18	-93.11	29.66	-107.17	33.00	-130.53	27.72	-139.62	41.06	N/A	N/A	N/A	N/A
11304	128.51	-37.09	62.26	-55.23	93.39	-62.53	106.94	-63.32	122.48	-79.61	138.43	N/A	N/A	N/A	N/A
11305	-823.22	-135.78	11.36	-206.25	17.18	-238.77	19.94	-297.86	25.36	-307.51	25.85	N/A	N/A	N/A	N/A
11311	-359.22	-59.25	4.96	-90.00	7.50	-104.19	8.70	-129.98	11.07	-134.19	11.28	N/A	N/A	N/A	N/A
11313	-117.57	-79.27	6.12	-116.10	8.94	-127.03	9.78	-112.19	8.64	-139.56	10.77	N/A	N/A	N/A	N/A
11315	-359.19	-59.07	4.94	-89.74	7.48	-103.88	8.67	-129.59	11.03	-133.79	11.25	N/A	N/A	N/A	N/A
11321	-823.14	-135.38	11.33	-205.64	17.13	-238.07	19.88	-296.99	25.28	-306.60	25.78	N/A	N/A	N/A	N/A
11322	51.15	-46.14	52.10	-68.65	78.18	-77.88	89.44	-80.21	101.76	-99.74	115.40	N/A	N/A	N/A	N/A
11323	-167.74	-53.36	25.61	-80.54	37.53	-92.72	41.81	-112.41	35.05	-120.53	52.32	N/A	N/A	N/A	N/A
11325	-793.51	-130.41	9.78	-196.60	14.83	-228.85	17.20	-291.13	22.53	-295.85	22.48	N/A	N/A	N/A	N/A
11331	-417.64	-68.64	5.15	-103.47	7.81	-120.45	9.05	-153.23	11.86	-155.71	11.83	N/A	N/A	N/A	N/A
11332	224.87	-31.69	66.22	-46.44	99.95	-51.74	115.07	-43.37	139.50	-64.74	149.57	N/A	N/A	N/A	N/A
11333	-312.24	-65.53	13.03	-99.22	18.42	-114.68	19.60	-144.95	19.70	-149.83	24.15	N/A	N/A	N/A	N/A
11335	-296.19	-48.47	3.42	-73.32	5.18	-84.71	6.00	-109.55	7.87	-110.74	7.93	N/A	N/A	N/A	N/A
11341	-659.70	-107.96	7.61	-163.30	11.54	-188.67	13.37	-243.99	17.53	-246.65	17.66	N/A	N/A	N/A	N/A
11342	415.14	-15.41	82.59	-21.82	125.05	-23.26	144.53	-23.55	182.64	-28.70	188.83	N/A	N/A	N/A	N/A
11343	-463.33	-77.26	5.42	-117.27	8.21	-135.95	9.50	-177.10	12.44	-193.75	13.72	N/A	N/A	N/A	N/A
11345	-410.44	-66.68	4.67	-101.21	7.07	-117.33	8.18	-152.82	10.70	-153.88	10.69	N/A	N/A	N/A	N/A
11351	-410.44	-66.68	4.67	-101.21	7.07	-117.33	8.18	-152.82	10.70	-153.88	10.69	N/A	N/A	N/A	N/A
11352	625.17	-7.07	100.88	-10.71	153.13	-12.40	177.53	-16.23	231.25	-17.91	253.23	N/A	N/A	N/A	N/A
11353	-562.22	-88.08	6.86	-134.27	10.34	-156.19	11.91	-209.19	15.14	-225.98	15.51	N/A	N/A	N/A	N/A
20003	-513.24	-91.49	8.82	-136.81	12.88	-156.40	14.33	-204.40	16.25	-216.82	18.40	-243.63	20.93	-217.77	16.60
20005	-2.67	-46.00	45.81	-70.29	70.00	-82.27	81.93	-116.44	115.99	-140.21	133.19	-152.29	151.69	-120.00	119.21
20011	-2.67	-46.00	45.81	-70.29	70.00	-82.27	81.93	-116.44	115.99	-140.21	133.19	-152.29	151.69	-120.00	119.21
20012	533.97	-8.28	95.52	-12.05	142.70	-13.70	163.21	-14.49	205.34	-17.12	229.59	-16.03	241.38	-12.77	211.68
20013	-495.84	-91.50	6.90	-136.76	10.13	-156.21	11.52	-197.37	12.72	-222.16	14.54	-234.75	17.47	-206.05	13.79
20015	329.73	-34.68	65.76	-52.64	98.02	-61.15	113.60	-79.65	139.27	-80.04	144.58	-95.67	175.85	-64.97	137.78
20021	196.06	-20.62	39.10	-31.30	58.28	-36.36	67.55	-47.36	82.81	-47.59	85.96	-56.89	104.56	-38.63	81.92
20022	510.82	-7.56	103.32	-11.01	153.66	-12.46	175.68	-13.00	213.14	-15.57	231.35	-15.20	246.43	-12.34	215.15
20023	-392.42	-84.04	6.60	-125.06	9.52	-142.57	10.52	-173.95	11.32	-188.73	13.17	-203.23	14.92	-176.41	11.89
20025	408.39	-19.19	69.91	-28.63	104.79	-33.02	121.18	-38.83	148.62	-41.74	154.42	-39.90	178.45	-35.18	150.16
20031	332.25	-15.62	56.87	-23.30	85.25	-26.86	98.59	-31.59	120.91	-33.96	125.63	-32.46	145.18	-28.62	122.17
20032	399.12	-10.90	101.09	-15.98	149.25	-17.98	170.30	-16.87	194.09	-22.54	216.80	-16.99	218.29	-15.08	194.40

2012 NORTH TRUSS FORCES BASED ON 3D MODEL STAAD OUTPUT

TRUSS MEMBER ENVELOPE FORCES TRANSFERRED TO GUSSET PLATE (KIPS)															
Member	Dead	2F1		3F1		4F1		5C1		(HS20-44)		HS-20 Truck Train		5C1 Truck Train	
		Compr.	Tens.	Compr.	Tens.	Compr.	Tens.	Compr.	Tens.	Compr.	Tens.	Compr.	Tens.	Compr.	Tens.
20033	-236.27	-70.49	13.68	-104.06	20.03	-118.18	22.35	-135.80	19.92	-151.23	28.04	-153.62	20.73	-136.20	15.38
20035	476.30	-14.07	80.03	-20.71	120.86	-23.62	139.06	-26.86	169.67	-29.93	177.23	-29.25	199.47	-25.47	174.30
20041	480.58	-14.19	80.74	-20.90	121.94	-23.83	140.31	-27.10	171.19	-30.20	178.82	-29.51	201.26	-25.70	175.87
20042	183.16	-31.70	85.06	-47.03	124.02	-53.22	140.39	-53.39	143.45	-67.91	175.38	-44.51	164.73	-35.80	142.63
20043	-6.29	-43.16	35.10	-63.05	52.10	-70.12	58.95	-73.58	59.56	-89.59	75.33	-77.43	61.95	-71.44	48.14
20045	528.00	-11.59	89.07	-17.07	133.53	-19.16	155.14	-21.88	189.45	-24.67	198.67	-24.16	220.13	-20.87	192.84
20051	627.32	-13.77	105.83	-20.28	158.65	-22.76	184.32	-26.00	225.09	-29.32	236.05	-28.70	261.54	-24.80	229.11
20052	-207.66	-78.53	48.50	-117.49	69.05	-134.22	74.62	-151.46	63.59	-173.30	92.56	-169.20	57.56	-143.40	39.32
20053	-125.08	-78.02	5.96	-114.22	8.73	-124.53	9.53	-107.14	8.28	-136.11	10.48	-135.57	10.36	-107.05	8.17
20054	506.71	-18.55	108.91	-25.37	163.69	-26.00	187.97	-26.21	225.72	-32.43	244.32	-26.16	264.03	-20.59	223.88
20055	298.66	-4.63	52.23	-6.83	78.74	-7.68	90.74	-8.57	112.74	-10.08	118.43	-9.86	135.52	-8.43	116.57
20061	383.92	-5.96	67.14	-8.78	101.22	-9.87	116.65	-11.02	144.93	-12.95	152.24	-12.68	174.21	-10.83	149.85
20063	-427.71	-78.65	5.34	-118.66	7.95	-136.78	9.03	-170.74	10.37	-192.51	11.65	-205.15	15.80	-176.93	12.22
20064	688.58	-8.51	122.24	-12.63	184.38	-14.29	212.50	-15.58	264.90	-18.41	298.76	-23.35	316.93	-18.56	273.62
20065	0.48	0.05	0.05	0.05	0.05	0.05	0.05	0.05	0.05	0.05	0.05	0.05	0.05	0.05	0.05
20071	0.63	0.05	0.05	0.05	0.05	0.05	0.05	0.05	0.05	0.05	0.05	0.05	0.05	0.05	0.05
20073	-558.92	-86.36	6.11	-130.53	9.20	-150.78	10.59	-193.00	12.93	-197.43	13.79	-233.35	19.36	-213.58	17.55
20074	665.84	-7.08	100.07	-10.67	151.27	-12.29	174.79	-15.01	224.01	-16.00	268.98	-22.51	270.57	-20.41	247.93
20075	-498.18	-74.17	5.86	-112.11	8.50	-129.51	9.54	-165.16	10.49	-177.84	14.17	-193.16	14.52	-177.97	12.62
20081	-498.18	-74.17	5.86	-112.11	8.50	-129.51	9.54	-165.16	10.49	-177.84	14.17	-193.16	14.52	-177.97	12.62
20083	-581.21	-86.42	6.58	-129.75	9.84	-148.73	11.22	-189.53	13.69	-238.30	14.54	-242.70	22.85	-216.98	18.97
20084	561.01	-6.66	87.01	-9.89	129.57	-11.19	147.12	-13.53	183.30	-14.45	230.67	-22.44	235.62	-18.57	208.99
20085	-892.20	-117.83	7.31	-178.05	11.17	-205.65	13.06	-264.93	18.20	-308.52	25.38	-321.36	24.16	-287.75	21.89
20091	-617.68	-81.58	5.06	-123.27	7.73	-142.37	9.04	-183.41	12.60	-213.59	17.57	-222.48	16.72	-199.21	15.16
20093	-559.54	-85.60	6.47	-128.40	9.71	-147.03	11.13	-173.01	12.33	-233.35	14.35	-237.26	22.37	-200.80	17.93
20094	430.45	-5.70	77.46	-8.51	115.26	-9.70	130.77	-10.21	139.87	-12.43	189.48	-19.00	198.47	-14.63	159.71
20095	-884.35	-102.29	9.46	-154.58	14.42	-179.38	16.89	-235.36	23.43	-297.18	26.09	-292.75	31.16	-264.41	28.23
20101	-1173.11	-135.69	12.54	-205.06	19.13	-237.96	22.40	-312.21	31.07	-394.22	34.60	-388.34	41.33	-350.75	37.44
20103	-717.75	-93.14	24.50	-140.43	37.04	-163.78	43.03	-218.53	56.53	-320.80	55.92	-278.61	63.24	-260.97	59.81
20105	-1180.48	-136.54	12.62	-206.34	19.25	-239.44	22.54	-314.15	31.27	-396.67	34.82	-390.76	41.59	-352.94	37.67
20111	-880.96	-101.89	9.42	-153.98	14.37	-178.69	16.82	-234.44	23.33	-296.03	25.98	-291.61	31.04	-263.38	28.12
20112	241.30	-38.36	95.02	-58.02	142.81	-67.33	164.03	-88.80	214.99	-87.90	260.37	-101.58	259.16	-78.50	236.74
20113	-363.62	-97.81	27.90	-147.10	42.01	-169.08	48.74	-222.28	62.38	-272.31	62.69	-268.26	71.43	-245.28	61.52
20115	-706.26	-107.84	41.00	-163.04	61.05	-189.13	70.71	-249.10	88.65	-249.24	90.36	-283.79	103.59	-251.79	94.88
20121	-704.49	-107.57	40.90	-162.63	60.90	-188.66	70.53	-248.48	88.43	-248.61	90.14	-283.08	103.33	-251.16	94.64
20122	300.33	-36.46	111.57	-54.90	167.30	-63.69	192.12	-81.07	248.49	-81.92	294.51	-91.45	295.20	-80.39	270.28
20123	-372.63	-96.21	31.57	-144.36	47.54	-165.51	55.16	-214.98	70.22	-257.23	70.95	-255.03	77.75	-233.60	69.67
20125	-524.31	-114.75	81.51	-173.54	122.36	-201.27	142.23	-265.71	182.19	-262.78	195.81	-303.64	213.81	-241.33	197.48
20131	-503.91	-110.29	78.34	-166.79	117.60	-193.44	136.70	-255.38	175.11	-252.55	188.19	-291.83	205.49	-231.94	189.80
20132	353.49	-45.64	117.93	-68.73	176.49	-79.75	202.46	-101.53	258.36	-102.57	300.56	-112.42	295.68	-100.72	278.49
20133	-327.27	-85.79	33.22	-128.44	50.03	-146.95	58.06	-188.14	73.93	-235.20	74.68	-225.02	82.24	-210.78	73.38
20135	-326.86	-116.26	119.65	-175.68	180.95	-203.72	209.72	-268.90	272.37	-266.13	314.02	-307.71	319.12	-224.29	299.69
20141	-375.89	-133.69	137.60	-202.03	208.09	-234.28	241.18	-309.24	313.23	-306.05	361.12	-353.86	366.99	-257.93	344.64
20142	307.01	-52.60	113.20	-79.20	168.87	-91.90	192.98	-117.03	241.30	-118.22	297.64	-130.12	299.57	-116.15	263.81
20143	-238.68	-58.71	30.41	-87.54	45.48	-99.67	52.10	-124.61	60.70	-180.78	66.72	-168.74	69.38	-145.35	59.98
20145	-190.46	-131.74	175.64	-199.01	266.63	-230.63	309.06	-301.80	399.87	-300.56	487.59	-344.79	481.02	-259.29	444.15
20151	-178.50	-123.47	164.61	-186.51	249.88	-216.15	289.65	-282.85	374.75	-281.68	456.97	-323.14	450.81	-243.01	416.26
20152	184.60	-60.81	78.49	-91.13	116.57	-104.47	132.18	-121.92	159.37	-134.64	229.98	-132.36	210.44	-115.97	183.32
20153	-125.20	-74.80	5.43	-109.50	7.96	-119.36	8.71	-102.72	7.64	-130.37	9.62	-130.50	9.76	-104.20	8.01
20154	22.69	-52.71	88.63	-79.63	133.34	-92.13	153.20	-120.19	184.21	-120.28	227.09	-139.92	223.31	-115.21	181.30
20155	-85.51	-110.08	151.11	-165.76	228.55	-192.32	265.66	-244.74	344.46	-247.32	405.74	-268.23	417.78	-242.53	385.47
20161	-84.21	-108.41	148.81	-163.24	225.07	-189.39	261.61	-241.01	339.22	-243.55	399.57	-264.15	411.42	-238.84	379.61
20163	-138.28	-66.45	32.88	-100.20	49.66	-115.46	57.45	-143.75	74.89	-186.89	74.99	-183.11	87.50	-155.51	53.46
20164	174.50	-59.54	123.02	-90.06	185.38	-104.34	213.52	-137.79	265.78	-136.46	314.73	-157.90	316.24	-101.80	278.95
20165	-193.47	-115.34	121.27	-173.68	183.81	-201.50	213.74	-256.45	279.73	-259.14	309.61	-281.46	335.11	-254.18	311.75

2012 NORTH TRUSS FORCES BASED ON 3D MODEL STAAD OUTPUT

TRUSS MEMBER ENVELOPE FORCES TRANSFERRED TO GUSSET PLATE (KIPS)															
Member	Dead	2F1		3F1		4F1		5C1		(HS20-44)		HS-20 Truck Train		5C1 Truck Train	
		Compr.	Tens.	Compr.	Tens.	Compr.	Tens.	Compr.	Tens.	Compr.	Tens.	Compr.	Tens.	Compr.	Tens.
20171	-172.33	-102.74	108.02	-154.70	163.72	-179.49	190.38	-228.43	249.16	-230.83	275.78	-250.71	298.50	-226.41	277.69
20173	-251.20	-92.22	37.68	-139.35	57.00	-160.94	66.03	-205.21	87.20	-246.55	86.38	-244.18	99.96	-223.57	64.67
20174	253.12	-49.49	119.90	-74.78	181.09	-86.62	209.02	-113.64	265.62	-113.07	316.68	-129.25	310.04	-94.04	290.41
20175	-319.07	-99.68	80.80	-150.10	122.41	-174.15	141.89	-221.63	182.97	-223.96	198.21	-262.60	220.85	-234.64	202.74
20181	-284.88	-89.00	72.14	-134.02	109.29	-155.49	126.69	-197.89	163.36	-199.96	176.97	-234.47	197.18	-209.50	181.02
20183	-306.04	-101.35	35.46	-153.24	53.58	-177.10	62.06	-227.98	81.42	-274.36	81.01	-275.42	92.57	-251.01	67.36
20184	231.45	-40.49	109.64	-61.01	165.54	-70.76	191.00	-91.03	243.21	-91.49	281.00	-102.84	294.41	-88.49	267.35
20185	-412.05	-81.58	53.13	-122.85	80.65	-142.53	93.79	-182.45	127.60	-228.88	150.67	-250.10	167.06	-227.07	147.32
20191	-458.38	-90.75	59.11	-136.66	89.72	-158.56	104.34	-202.96	141.94	-254.61	167.61	-278.22	185.85	-252.60	163.89
20193	-308.78	-100.48	31.13	-151.85	46.90	-175.45	54.40	-225.60	70.15	-264.90	70.35	-272.94	79.18	-248.48	67.99
20194	162.86	-31.26	71.13	-47.05	107.37	-54.60	123.93	-69.47	157.68	-70.22	174.94	-76.58	189.80	-68.92	172.47
20195	-547.52	-81.63	53.34	-123.68	81.20	-144.03	94.87	-191.11	129.80	-308.98	150.03	-273.80	172.63	-246.34	142.28
20201	-782.17	-116.61	76.21	-176.69	116.00	-205.75	135.52	-273.01	185.42	-441.39	214.32	-391.15	246.61	-351.92	203.26
20203	-615.57	-97.06	27.39	-146.70	41.28	-170.38	47.83	-224.98	62.75	-304.42	62.24	-276.76	69.46	-258.72	54.72
20205	-791.45	-131.68	15.48	-198.32	23.28	-230.10	27.06	-293.37	34.87	-315.75	34.86	-340.33	45.49	-310.78	34.43
20211	-499.86	-83.17	9.77	-125.26	14.71	-145.33	17.09	-185.29	22.03	-199.42	22.01	-214.94	28.73	-196.28	21.74
20212	307.73	-5.09	71.25	-7.36	103.48	-8.52	119.19	-8.44	123.12	-10.39	154.00	-13.17	161.97	-9.95	131.84
20213	-411.77	-85.31	6.98	-125.60	10.22	-143.90	11.77	-163.25	12.80	-202.93	14.59	-209.89	20.70	-179.21	16.43
20215	-410.11	-77.30	7.24	-115.21	10.86	-134.24	12.64	-168.31	16.18	-171.72	16.30	-194.68	21.88	-168.56	16.54
20221	-589.54	-111.12	10.41	-165.61	15.61	-192.97	18.18	-241.95	23.26	-246.84	23.43	-279.85	31.45	-242.30	23.78
20222	369.19	-5.49	77.21	-7.92	111.65	-9.10	128.75	-10.57	151.69	-11.00	179.23	-17.24	184.56	-13.83	160.76
20223	-437.42	-86.09	6.21	-127.10	9.06	-145.42	10.44	-180.56	12.86	-210.35	13.02	-218.83	20.83	-191.11	16.63
20225	-322.86	-69.96	5.84	-104.31	8.79	-118.98	10.13	-147.11	12.85	-154.62	13.24	-173.57	17.91	-149.08	13.27
20231	-322.86	-69.96	5.84	-104.31	8.79	-118.98	10.13	-147.11	12.85	-154.62	13.24	-173.57	17.91	-149.08	13.27
20232	437.85	-6.24	91.35	-9.32	136.08	-10.62	155.07	-12.87	190.23	-13.75	210.39	-20.29	225.00	-15.14	193.42
20233	-396.09	-89.51	6.13	-133.33	9.14	-151.93	10.42	-186.40	12.62	-206.17	13.48	-220.50	19.89	-189.54	14.84
20235	0.71	0.05	0.05	0.05	0.05	0.05	0.05	0.05	0.05	0.05	0.05	0.05	0.05	0.05	0.05
20241	0.71	0.05	0.05	0.05	0.05	0.05	0.05	0.05	0.05	0.05	0.05	0.05	0.05	0.05	0.05
20242	408.63	-9.38	110.49	-13.91	163.19	-15.73	186.47	-17.40	213.50	-20.24	237.29	-19.94	245.58	-16.49	212.63
20243	-261.68	-74.02	6.68	-109.34	9.92	-124.89	11.22	-142.92	12.34	-158.98	14.43	-164.59	13.79	-142.26	11.54
20245	312.50	-6.19	85.78	-9.09	126.49	-10.45	144.86	-11.88	166.09	-13.08	183.49	-14.99	191.91	-12.38	166.17
20251	221.15	-4.38	60.71	-6.43	89.52	-7.40	102.52	-8.41	117.54	-9.26	129.85	-10.61	135.81	-8.76	117.60
20252	220.54	-28.42	86.11	-40.15	125.67	-42.69	142.60	-41.27	146.25	-52.63	178.08	-35.21	183.27	-27.69	144.15
20253	-121.51	-79.06	5.69	-115.67	8.31	-126.06	9.08	-107.93	7.74	-137.56	9.94	-137.59	9.99	-109.36	7.97
20254	45.72	-44.26	66.60	-62.90	97.65	-68.35	108.85	-57.37	94.19	-84.04	136.52	-75.98	132.73	-47.78	87.02
20255	296.57	-5.41	79.14	-8.03	117.44	-9.27	135.69	-10.03	151.97	-11.61	170.95	-12.79	171.79	-10.57	151.86
20261	302.12	-5.51	80.62	-8.18	119.64	-9.44	138.23	-10.22	154.81	-11.83	174.15	-13.03	175.00	-10.77	154.70
20263	-150.01	-63.86	15.18	-94.94	20.48	-107.60	20.61	-111.83	21.29	-137.79	25.42	-137.24	23.47	-110.16	18.83
20264	281.89	-11.34	100.34	-16.10	149.08	-17.65	168.85	-19.88	177.69	-22.48	216.02	-23.50	215.43	-19.15	175.14
20265	171.76	-3.60	46.69	-5.36	69.86	-6.08	79.79	-6.51	89.98	-7.80	103.04	-7.04	105.52	-5.98	89.26
20271	166.25	-3.48	45.19	-5.18	67.62	-5.89	77.23	-6.30	87.09	-7.55	99.73	-6.82	102.14	-5.79	86.40
20273	-308.29	-89.21	8.31	-133.62	12.46	-152.74	14.31	-174.30	16.83	-197.54	18.48	-204.38	22.70	-173.49	16.44
20274	361.23	-8.95	100.32	-13.40	150.22	-15.37	171.70	-17.91	195.55	-19.84	222.01	-23.81	229.55	-17.53	194.75
20275	0.95	0.05	0.05	0.05	0.05	0.05	0.05	0.05	0.05	0.05	0.05	0.05	0.05	0.05	0.05
20281	1.45	0.05	0.05	0.05	0.05	0.05	0.05	0.05	0.05	0.05	0.05	0.05	0.05	0.05	0.05
20283	-405.48	-89.64	8.04	-134.90	12.14	-155.10	14.01	-188.00	17.29	-201.91	18.22	-224.76	24.48	-189.88	18.07
20284	366.49	-7.02	77.94	-10.59	117.34	-12.23	134.96	-15.10	163.92	-15.90	175.74	-21.40	195.65	-15.91	165.60
20285	-236.27	-49.65	5.25	-74.65	7.85	-85.78	8.94	-102.99	10.01	-111.49	11.54	-121.27	10.97	-102.26	8.51
20291	-236.27	-49.65	5.25	-74.65	7.85	-85.78	8.94	-102.99	10.01	-111.49	11.54	-121.27	10.97	-102.26	8.51
20293	-428.88	-87.80	7.37	-131.04	11.01	-149.20	12.58	-182.44	15.56	-207.45	16.29	-221.45	22.40	-191.09	17.99
20294	324.82	-5.70	68.69	-8.43	101.34	-9.51	113.81	-11.46	134.83	-12.20	155.99	-16.60	165.47	-13.61	141.60
20295	-434.24	-75.38	9.05	-113.34	13.48	-130.18	15.38	-161.26	17.26	-171.91	19.70	-190.87	21.42	-160.29	15.93
20301	-434.24	-75.38	9.05	-113.34	13.48	-130.18	15.38	-161.26	17.26	-171.91	19.70	-190.87	21.42	-160.29	15.93
20303	-822.02	-94.31	18.20	-141.86	27.35	-165.46	31.78	-220.26	40.63	-329.57	41.06	-285.64	44.61	-263.04	38.11
20305	-438.09	-76.05	9.13	-114.34	13.60	-131.33	15.52	-162.68	17.41	-173.43	19.87	-192.56	21.61	-161.70	16.07

2012 NORTH TRUSS FORCES BASED ON 3D MODEL STAAD OUTPUT

TRUSS MEMBER ENVELOPE FORCES TRANSFERRED TO GUSSET PLATE (KIPS)															
Member	Dead	2F1		3F1		4F1		5C1		(HS20-44)		HS-20 Truck Train		5C1 Truck Train	
		Compr.	Tens.	Compr.	Tens.	Compr.	Tens.	Compr.	Tens.	Compr.	Tens.	Compr.	Tens.	Compr.	Tens.
20311	-438.09	-76.05	9.13	-114.34	13.60	-131.33	15.52	-162.68	17.41	-173.43	19.87	-192.56	21.61	-161.70	16.07
20312	405.70	-32.32	89.52	-48.60	134.47	-55.88	154.40	-69.76	202.45	-72.62	246.55	-79.45	244.75	-69.84	223.67
20313	-512.64	-101.59	23.79	-152.62	35.72	-175.28	41.14	-230.10	51.48	-283.28	53.31	-277.35	58.71	-253.78	51.47
20315	-198.21	-84.34	46.27	-126.84	69.11	-145.76	79.71	-181.56	100.73	-189.59	105.92	-207.51	120.50	-182.13	109.40
20321	-198.21	-84.34	46.27	-126.84	69.11	-145.76	79.71	-181.56	100.73	-189.59	105.92	-207.51	120.50	-182.13	109.40
20322	476.92	-30.07	107.86	-45.15	161.77	-51.99	185.98	-64.99	241.18	-67.39	288.39	-74.22	286.87	-65.04	262.74
20323	-513.59	-103.02	22.76	-154.59	34.09	-177.34	39.62	-230.86	50.92	-277.93	50.98	-274.14	58.55	-251.13	52.26
20325	101.82	-94.08	98.27	-141.55	147.27	-162.68	171.46	-202.93	221.37	-211.70	249.26	-233.65	261.16	-204.91	242.01
20331	62.03	-57.31	59.87	-86.23	89.72	-99.11	104.45	-123.63	134.86	-128.97	151.85	-142.34	159.10	-124.83	147.43
20332	517.03	-30.42	117.04	-45.56	175.14	-52.95	201.43	-68.07	257.05	-68.14	304.48	-78.27	297.16	-69.86	277.41
20333	-426.04	-91.26	23.84	-136.61	35.72	-156.39	41.51	-200.48	53.45	-234.93	53.53	-236.19	62.04	-218.60	54.70
20335	227.13	-52.53	80.04	-79.03	120.87	-90.85	140.32	-113.46	182.61	-118.21	215.70	-131.11	215.18	-114.94	201.51
20341	202.84	-46.91	71.48	-70.58	107.94	-81.13	125.31	-101.33	163.08	-105.57	192.63	-117.08	192.16	-102.64	179.96
20342	441.07	-35.14	112.08	-52.64	167.24	-61.17	191.47	-78.78	239.77	-78.90	276.62	-91.46	287.95	-80.61	254.73
20343	-229.17	-59.62	26.94	-88.92	40.01	-101.36	45.57	-126.88	48.48	-148.00	58.12	-159.01	57.73	-137.21	46.02
20345	274.43	-37.88	75.50	-56.98	114.54	-65.53	132.64	-81.91	172.36	-85.22	212.87	-94.75	207.01	-83.04	191.10
20351	349.39	-48.23	96.12	-72.55	145.82	-83.43	168.87	-104.29	219.43	-108.50	271.02	-120.63	263.56	-105.72	243.30
20352	150.71	-51.19	74.46	-76.58	110.56	-87.86	125.29	-101.80	151.31	-113.22	162.51	-103.14	181.69	-90.35	147.91
20353	-124.27	-75.67	5.69	-110.78	8.34	-120.77	9.11	-103.84	7.85	-131.99	10.02	-131.49	9.92	-101.10	7.34
20354	228.97	-36.54	92.33	-54.90	138.79	-62.99	159.35	-78.11	191.33	-81.84	225.96	-90.80	224.56	-79.71	186.06
20355	318.91	-42.21	87.14	-63.17	131.63	-73.43	153.08	-94.20	198.75	-94.41	234.45	-107.37	240.90	-97.00	222.38
20361	296.24	-39.21	80.94	-58.68	122.27	-68.21	142.19	-87.50	184.62	-87.70	217.79	-99.74	223.78	-90.11	206.58
20363	-281.03	-73.22	24.28	-110.43	36.49	-127.29	41.89	-158.66	51.53	-196.47	54.44	-194.14	59.55	-166.13	52.25
20364	449.61	-36.60	113.55	-55.12	171.09	-63.42	197.12	-79.40	244.90	-82.60	293.67	-93.50	291.22	-81.88	257.00
20365	177.24	-40.79	63.42	-61.06	95.93	-70.98	111.64	-91.09	146.38	-91.25	164.47	-103.91	176.98	-93.73	164.08
20371	256.71	-59.08	91.85	-88.44	138.94	-102.80	161.69	-131.93	212.01	-132.16	238.20	-150.50	256.33	-135.75	237.64
20373	-440.46	-93.39	25.53	-141.15	38.46	-163.07	44.24	-208.15	55.39	-251.78	57.63	-247.57	65.21	-226.11	57.10
20374	513.26	-33.16	119.00	-49.87	179.71	-57.44	207.41	-72.38	263.11	-74.70	315.28	-84.41	310.89	-74.35	288.99
20375	43.65	-55.97	66.20	-83.78	100.17	-97.38	116.33	-124.97	150.98	-125.19	167.14	-152.46	182.72	-138.04	166.31
20381	43.65	-55.97	66.20	-83.78	100.17	-97.38	116.33	-124.97	150.98	-125.19	167.14	-152.46	182.72	-138.04	166.31
20383	-526.20	-109.20	25.76	-165.05	38.74	-190.68	44.62	-245.42	56.22	-294.29	58.03	-296.99	65.55	-270.68	57.73
20384	455.72	-29.24	102.95	-43.77	155.45	-50.86	179.40	-65.21	229.00	-65.50	264.20	-75.32	277.73	-67.57	252.34
20385	-148.92	-50.35	44.23	-75.68	67.21	-88.06	78.12	-115.16	106.63	-166.93	140.41	-164.72	142.97	-149.91	130.69
20391	-215.54	-72.87	64.01	-109.54	97.27	-127.46	113.07	-166.67	154.33	-241.61	203.22	-238.41	206.93	-216.98	189.15
20393	-507.35	-101.18	23.94	-152.89	35.85	-176.60	41.65	-227.19	53.41	-275.28	53.68	-275.25	61.88	-250.67	55.42
20394	374.05	-32.84	88.11	-49.14	132.90	-57.12	153.24	-73.15	194.44	-73.50	216.23	-84.15	234.38	-75.51	212.77
20395	-448.68	-78.79	61.02	-119.36	93.07	-139.36	108.62	-188.81	149.76	-341.73	205.99	-281.19	205.25	-250.22	181.96
20401	-448.68	-78.79	61.02	-119.36	93.07	-139.36	108.62	-188.81	149.76	-341.73	205.99	-281.19	205.25	-250.22	181.96
20403	-826.99	-99.05	20.50	-149.46	30.92	-173.33	35.72	-226.59	45.65	-323.62	46.33	-291.34	54.71	-263.97	47.42
20405	-476.86	-72.99	8.74	-109.43	13.22	-127.19	15.35	-164.23	20.49	-174.22	20.12	-194.57	30.39	-175.05	21.50
20411	-476.86	-72.99	8.74	-109.43	13.22	-127.19	15.35	-164.23	20.49	-174.22	20.12	-194.57	30.39	-175.05	21.50
20412	325.93	-4.82	63.60	-6.97	91.41	-8.00	105.47	-9.59	123.51	-9.71	152.56	-15.36	151.20	-12.94	136.30
20413	-478.45	-86.52	6.56	-126.69	9.58	-145.46	11.04	-180.91	14.08	-220.56	13.83	-219.87	22.22	-200.36	18.99
20415	-255.89	-45.34	4.47	-68.02	6.79	-77.98	7.91	-100.11	10.60	-102.04	10.43	-120.86	15.99	-104.39	11.26
20421	-255.89	-45.34	4.47	-68.02	6.79	-77.98	7.91	-100.11	10.60	-102.04	10.43	-120.86	15.99	-104.39	11.26
20422	401.36	-5.24	70.95	-7.99	106.48	-9.34	122.10	-12.58	156.74	-12.33	180.40	-19.75	188.26	-15.70	165.55
20423	-478.96	-90.51	6.69	-135.83	10.21	-155.76	11.92	-199.96	16.06	-230.18	15.75	-240.20	25.18	-211.20	20.00
20425	1.97	0.05	0.05	0.05	0.05	0.05	0.05	0.05	0.05	0.05	0.05	0.05	0.05	0.05	0.05
20431	1.97	0.05	0.05	0.05	0.05	0.05	0.05	0.05	0.05	0.05	0.05	0.05	0.05	0.05	0.05
20432	439.32	-6.94	95.16	-10.28	141.65	-11.79	161.65	-14.06	196.88	-15.06	223.69	-21.86	234.28	-17.35	202.80
20433	-403.74	-90.35	6.68	-134.50	9.92	-153.45	11.35	-187.04	13.70	-212.74	14.60	-222.95	21.67	-192.99	17.26
20435	290.40	-4.73	61.46	-6.94	91.36	-7.92	104.53	-8.49	126.71	-9.80	134.66	-11.33	148.78	-8.67	129.59
20441	203.00	-3.30	42.96	-4.85	63.86	-5.54	73.07	-5.94	88.57	-6.85	94.13	-7.92	104.00	-6.06	90.58
20442	390.22	-8.18	103.32	-12.15	152.59	-13.89	174.70	-16.31	200.59	-17.83	221.65	-23.49	233.91	-20.47	202.24
20443	-223.56	-71.55	13.11	-105.70	18.66	-120.08	20.13	-137.79	20.81	-153.58	25.21	-162.59	22.56	-139.78	19.05

2012 NORTH TRUSS FORCES BASED ON 3D MODEL STAAD OUTPUT

TRUSS MEMBER ENVELOPE FORCES TRANSFERRED TO GUSSET PLATE (KIPS)															
Member	Dead	2F1		3F1		4F1		5C1		(HS20-44)		HS-20 Truck Train		5C1 Truck Train	
		Compr.	Tens.	Compr.	Tens.	Compr.	Tens.	Compr.	Tens.	Compr.	Tens.	Compr.	Tens.	Compr.	Tens.
20445	383.80	-6.19	85.62	-9.21	127.55	-10.61	147.81	-12.42	176.56	-13.41	187.31	-15.79	201.23	-12.76	177.60
20451	304.53	-4.91	67.94	-7.31	101.21	-8.42	117.28	-9.85	140.09	-10.64	148.62	-12.53	159.67	-10.12	140.92
20452	147.73	-33.41	76.79	-48.88	112.13	-54.30	126.65	-47.03	130.53	-67.86	158.66	-47.39	153.81	-34.64	131.32
20453	-124.02	-80.74	6.07	-118.22	8.87	-129.05	9.70	-110.95	8.46	-140.96	10.67	-140.97	10.67	-112.38	8.72
20454	167.03	-32.51	77.41	-46.48	115.16	-50.01	130.52	-42.23	133.23	-62.22	166.85	-46.41	166.77	-42.38	128.21
20455	289.09	-4.82	64.32	-7.18	96.39	-8.34	110.73	-9.91	133.52	-10.58	142.40	-13.28	152.44	-10.92	134.35
20461	381.11	-6.35	84.79	-9.47	127.07	-11.00	145.98	-13.07	176.02	-13.95	187.72	-17.51	200.96	-14.40	177.11
20463	-234.96	-71.36	13.08	-106.96	18.13	-122.28	18.58	-139.26	17.97	-157.97	22.95	-162.34	23.59	-137.34	15.84
20464	404.45	-10.06	108.40	-14.95	162.47	-16.96	185.74	-18.96	211.46	-21.74	239.96	-25.72	247.01	-17.43	210.07
20465	206.54	-3.70	45.45	-5.50	68.47	-6.23	78.74	-6.96	95.29	-7.99	102.41	-9.80	113.11	-7.95	97.96
20471	206.54	-3.70	45.45	-5.50	68.47	-6.23	78.74	-6.96	95.29	-7.99	102.41	-9.80	113.11	-7.95	97.96
20473	-415.80	-94.78	9.33	-142.86	13.90	-164.37	15.78	-199.15	17.69	-213.85	20.30	-236.36	24.65	-203.74	17.48
20474	449.86	-9.52	99.91	-14.17	150.58	-16.09	173.24	-17.99	209.87	-20.69	225.39	-24.89	248.87	-17.92	214.84
20475	1.37	0.05	0.05	0.05	0.05	0.05	0.05	0.05	0.05	0.05	0.05	0.05	0.05	0.05	0.05
20481	2.01	0.05	0.05	0.05	0.05	0.05	0.05	0.05	0.05	0.05	0.05	0.05	0.05	0.05	0.05
20483	-494.91	-88.86	9.79	-134.34	14.68	-155.29	17.01	-198.04	20.11	-213.06	21.67	-239.14	29.16	-208.63	21.86
20484	418.40	-7.79	71.67	-11.73	108.42	-13.60	125.36	-16.09	159.83	-17.31	174.03	-23.33	192.97	-17.49	168.47
20485	-264.30	-45.99	4.81	-69.57	7.22	-80.44	8.42	-102.66	10.27	-105.34	10.79	-125.72	15.82	-109.25	12.44
20491	-264.30	-45.99	4.81	-69.57	7.22	-80.44	8.42	-102.66	10.27	-105.34	10.79	-125.72	15.82	-109.25	12.44
20493	-495.61	-85.28	8.94	-128.55	13.47	-147.55	15.43	-180.04	18.05	-213.91	19.70	-221.44	22.98	-201.72	21.47
20494	334.31	-5.38	62.57	-7.86	93.76	-8.81	106.13	-9.58	120.42	-10.85	143.94	-13.21	151.10	-11.95	134.23
20495	-483.62	-67.59	6.96	-102.33	10.60	-119.13	12.19	-154.54	14.97	-181.51	16.15	-195.68	28.78	-176.89	23.51
20501	-483.62	-67.59	6.96	-102.33	10.60	-119.13	12.19	-154.54	14.97	-181.51	16.15	-195.68	28.78	-176.89	23.51
20503	-765.10	-73.46	17.72	-111.87	27.02	-130.66	31.46	-178.90	40.25	-271.11	40.86	-242.23	43.62	-222.67	39.29
20505	-458.29	-66.01	6.80	-99.94	10.35	-116.34	11.91	-150.93	14.62	-172.10	15.31	-191.12	28.11	-172.76	22.96
20511	-458.29	-66.01	6.80	-99.94	10.35	-116.34	11.91	-150.93	14.62	-172.10	15.31	-191.12	28.11	-172.76	22.96
20512	609.99	-37.64	100.11	-57.10	152.05	-66.38	176.81	-86.04	239.49	-86.19	311.28	-99.89	303.29	-89.42	282.08
20513	-750.98	-118.33	33.67	-179.80	51.12	-209.10	59.43	-283.09	77.12	-359.17	77.08	-356.99	88.92	-331.74	79.92
20515	-163.36	-76.82	44.92	-116.47	67.95	-135.52	79.04	-176.02	103.54	-176.18	116.26	-205.59	130.22	-184.39	120.05
20521	-163.36	-76.82	44.92	-116.47	67.95	-135.52	79.04	-176.02	103.54	-176.18	116.26	-205.59	130.22	-184.39	120.05
20522	539.29	-30.02	94.05	-45.56	142.81	-52.97	165.91	-68.68	222.19	-68.69	275.69	-79.32	266.47	-71.25	254.05
20523	-801.25	-127.46	33.99	-193.56	51.87	-224.90	60.20	-301.81	78.42	-377.69	78.11	-362.20	88.48	-344.44	80.29
20525	199.59	-85.35	94.21	-129.41	143.18	-150.56	166.79	-195.39	221.69	-195.70	264.62	-229.89	274.89	-205.46	254.70
20531	102.78	-43.95	48.52	-66.64	73.73	-77.53	85.89	-100.62	114.16	-100.78	136.27	-118.38	141.56	-105.80	131.16
20532	665.45	-34.50	115.22	-52.65	174.84	-61.10	202.95	-79.60	269.40	-79.29	334.78	-89.81	324.41	-81.49	301.34
20533	-717.52	-118.60	34.90	-180.02	53.24	-208.93	61.81	-277.28	80.54	-340.67	80.22	-336.91	91.98	-310.39	82.53
20535	324.54	-50.54	78.98	-76.64	120.23	-89.11	139.98	-115.60	187.49	-115.76	234.05	-136.13	228.00	-121.59	216.98
20541	260.37	-40.54	63.37	-61.48	96.46	-71.49	112.30	-92.74	150.42	-92.87	187.77	-109.22	182.92	-97.55	174.07
20542	628.71	-38.57	115.28	-58.84	174.71	-68.31	202.47	-89.02	264.53	-88.66	319.13	-101.65	323.31	-91.22	293.46
20543	-590.21	-109.76	36.33	-166.36	55.42	-192.74	64.34	-251.74	83.87	-296.33	83.52	-305.75	96.61	-281.32	86.00
20545	428.23	-43.49	85.31	-65.96	130.02	-76.68	151.35	-99.42	202.23	-99.59	260.49	-116.78	253.85	-104.30	231.93
20551	440.25	-44.71	87.70	-67.82	133.66	-78.83	155.60	-102.21	207.90	-102.38	267.80	-120.06	260.97	-107.23	238.44
20552	616.97	-51.07	132.70	-77.92	200.72	-90.47	232.36	-117.92	298.21	-117.43	346.75	-135.82	350.08	-120.91	327.86
20553	-276.00	-71.50	31.52	-108.17	47.46	-125.03	54.43	-160.29	65.62	-177.42	70.15	-186.57	75.56	-174.81	63.86
20555	640.68	-53.60	118.09	-81.37	180.08	-94.60	209.69	-122.75	278.69	-122.71	370.74	-142.48	354.43	-128.02	327.67
20561	588.32	-49.22	108.44	-74.72	165.36	-86.87	192.55	-112.72	255.92	-112.68	340.45	-130.84	325.46	-117.55	300.89
20562	164.61	-54.06	86.54	-81.76	130.62	-94.26	150.56	-115.74	187.51	-122.30	195.36	-121.86	215.48	-102.98	187.67
20563	-158.79	-83.61	3.61	-123.49	5.31	-136.68	5.82	-118.90	4.99	-148.99	6.37	-148.99	6.30	-119.56	5.08
20564	321.40	-38.12	90.15	-57.40	136.38	-65.94	157.89	-78.76	196.43	-85.48	213.15	-90.83	229.69	-79.51	191.91
20565	585.52	-65.45	115.76	-99.89	176.52	-115.99	205.62	-150.98	274.04	-150.51	354.12	-170.18	348.30	-154.45	323.92
20571	643.56	-71.94	127.24	-109.79	194.01	-127.49	226.00	-165.95	301.20	-165.43	389.22	-187.05	382.83	-169.76	356.02
20573	-384.33	-72.84	20.22	-110.44	30.25	-128.16	34.68	-164.49	42.82	-204.74	44.65	-197.61	53.01	-180.80	45.95
20574	591.08	-29.34	108.72	-44.48	165.14	-51.74	191.53	-67.22	246.27	-67.28	298.82	-80.77	293.27	-71.97	270.51
20575	387.97	-66.11	93.82	-100.88	142.96	-117.09	166.48	-152.51	221.66	-151.92	274.82	-172.00	280.74	-156.15	257.10
20581	392.24	-66.84	94.86	-101.99	144.53	-118.37	168.31	-154.19	224.10	-153.60	277.85	-173.89	283.83	-157.87	259.93

2012 NORTH TRUSS FORCES BASED ON 3D MODEL STAAD OUTPUT

TRUSS MEMBER ENVELOPE FORCES TRANSFERRED TO GUSSET PLATE (KIPS)															
Member	Dead	2F1		3F1		4F1		5C1		(HS20-44)		HS-20 Truck Train		5C1 Truck Train	
		Compr.	Tens.	Compr.	Tens.	Compr.	Tens.	Compr.	Tens.	Compr.	Tens.	Compr.	Tens.	Compr.	Tens.
20583	-672.84	-109.11	25.57	-165.85	38.77	-192.75	45.09	-252.56	58.59	-310.17	58.64	-306.28	70.40	-271.73	62.72
20584	609.05	-26.25	101.71	-39.83	154.69	-46.33	179.68	-60.20	234.97	-60.14	290.78	-71.36	288.59	-63.79	256.65
20585	155.87	-61.87	67.70	-94.41	103.18	-109.58	120.38	-142.75	162.40	-142.19	190.16	-161.25	201.69	-146.17	189.65
20591	165.71	-65.78	71.97	-100.37	109.69	-116.50	127.98	-151.76	172.65	-151.17	202.16	-171.43	214.42	-155.39	201.62
20593	-780.17	-118.09	27.03	-179.57	41.03	-209.04	47.72	-278.30	62.03	-348.69	61.95	-338.00	73.57	-307.46	65.77
20594	619.86	-33.25	105.53	-50.72	160.63	-58.94	186.76	-76.72	247.27	-76.50	302.27	-87.71	301.44	-78.49	276.14
20595	-63.06	-66.28	55.68	-101.15	84.84	-117.39	98.77	-152.91	131.38	-152.32	154.51	-190.71	165.32	-170.99	153.38
20601	-118.55	-124.61	104.68	-190.15	159.49	-220.70	185.69	-287.47	247.00	-286.37	290.47	-358.53	310.81	-321.46	288.36
20603	-800.93	-127.32	35.54	-193.59	54.21	-225.28	62.99	-301.28	82.00	-371.30	81.76	-363.45	93.70	-345.58	83.87
20604	484.63	-39.16	91.34	-59.75	138.94	-69.40	161.46	-90.34	213.84	-90.06	248.15	-102.16	260.01	-92.22	244.51
20605	-501.17	-115.06	72.72	-175.58	111.04	-203.79	129.31	-268.24	178.73	-344.55	252.47	-395.80	269.21	-351.96	246.57
20611	-501.17	-115.06	72.72	-175.58	111.04	-203.79	129.31	-268.24	178.73	-344.55	252.47	-395.80	269.21	-351.96	246.57
20613	-695.45	-119.10	45.70	-181.20	69.71	-210.82	80.99	-281.47	105.42	-336.18	105.12	-351.56	119.47	-328.10	107.67
20614	507.41	-55.28	103.43	-84.34	157.36	-97.98	182.87	-127.50	242.32	-127.15	271.50	-144.22	301.77	-130.22	280.73
20615	-803.83	-110.54	61.52	-169.04	94.23	-196.95	110.46	-267.33	159.48	-446.54	238.85	-411.86	251.77	-371.22	226.81
20621	-803.83	-110.54	61.52	-169.04	94.23	-196.95	110.46	-267.33	159.48	-446.54	238.85	-411.86	251.77	-371.22	226.81
20623	-875.98	-100.46	40.26	-153.51	61.21	-178.90	71.22	-242.04	91.13	-346.24	92.62	-301.21	106.48	-277.22	93.18
20625	-693.71	-97.83	13.01	-149.54	19.95	-173.45	23.17	-226.39	30.66	-253.56	32.16	-269.64	45.24	-250.33	38.18
20631	-693.71	-97.83	13.01	-149.54	19.95	-173.45	23.17	-226.39	30.66	-253.56	32.16	-269.64	45.24	-250.33	38.18
20632	286.06	-3.67	59.83	-5.65	90.35	-6.51	103.29	-6.97	104.32	-8.34	138.99	-8.95	139.75	-5.01	99.37
20633	-442.56	-78.93	6.96	-119.25	10.71	-137.42	12.33	-157.11	14.21	-205.02	15.86	-207.62	21.67	-160.97	12.97
20635	-498.10	-78.64	8.25	-119.81	12.68	-139.10	14.70	-179.02	19.37	-185.16	19.23	-212.30	29.12	-192.22	25.26
20641	-498.10	-78.64	8.25	-119.81	12.68	-139.10	14.70	-179.02	19.37	-185.16	19.23	-212.30	29.12	-192.22	25.26
20642	385.56	-4.54	65.63	-7.02	99.24	-8.04	113.63	-9.76	136.54	-10.38	168.96	-14.62	168.71	-11.41	149.80
20643	-476.43	-81.44	6.86	-123.05	10.57	-141.87	12.14	-176.78	15.04	-214.26	15.70	-217.87	23.78	-195.71	19.21
20645	-267.20	-47.62	4.86	-71.96	7.36	-83.79	8.61	-106.49	11.47	-109.11	11.26	-129.10	17.44	-110.78	14.89
20651	-267.20	-47.62	4.86	-71.96	7.36	-83.79	8.61	-106.49	11.47	-109.11	11.26	-129.10	17.44	-110.78	14.89
20652	437.57	-5.35	74.79	-8.13	112.91	-9.58	131.54	-12.80	166.47	-12.62	190.21	-20.12	202.09	-15.93	176.88
20653	-477.24	-88.44	6.33	-133.51	9.62	-155.55	11.34	-196.86	15.15	-224.97	14.94	-239.02	23.78	-209.18	18.86
20655	1.36	0.05	0.05	0.05	0.05	0.05	0.05	0.05	0.05	0.05	0.05	0.05	0.05	0.05	0.05
20661	1.36	0.05	0.05	0.05	0.05	0.05	0.05	0.05	0.05	0.05	0.05	0.05	0.05	0.05	0.05
20662	438.30	-7.20	94.79	-10.95	143.10	-12.80	165.69	-15.06	199.18	-16.59	243.27	-23.78	239.78	-19.02	206.82
20663	-383.86	-85.65	6.48	-129.29	9.85	-149.71	11.53	-180.00	13.60	-220.43	14.95	-217.02	21.78	-187.16	17.49
20665	281.83	-5.42	62.74	-8.29	94.79	-9.53	109.70	-10.79	131.54	-12.26	141.51	-14.95	156.50	-11.05	134.60
20671	196.50	-3.78	43.75	-5.78	66.09	-6.65	76.49	-7.52	91.72	-8.54	98.67	-10.43	109.12	-7.70	93.85
20672	361.59	-9.48	93.84	-14.16	141.48	-16.04	163.37	-17.74	185.28	-20.46	210.83	-21.69	218.43	-18.58	187.80
20673	-212.87	-62.49	12.55	-94.00	18.28	-108.50	19.97	-122.60	20.07	-138.76	24.20	-145.03	20.76	-124.50	17.63
20675	335.85	-5.63	72.72	-8.56	110.99	-9.84	127.88	-11.48	153.89	-12.40	163.44	-14.68	174.61	-11.62	154.35
20681	291.13	-4.88	63.04	-7.42	96.21	-8.53	110.85	-9.95	133.40	-10.75	141.68	-12.72	151.36	-10.07	133.79
20682	128.44	-35.95	65.09	-52.75	97.30	-59.46	111.63	-50.78	111.99	-73.12	140.42	-55.93	145.29	-35.02	115.25
20683	-124.24	-74.65	5.20	-111.14	7.79	-123.62	8.62	-107.63	7.37	-134.31	9.24	-134.50	9.54	-106.14	7.59
20684	134.85	-31.98	68.66	-46.57	102.21	-52.85	117.93	-41.61	121.94	-64.15	147.76	-62.53	146.63	-44.87	115.47
20685	261.17	-4.04	56.21	-6.24	85.78	-7.19	99.03	-8.59	119.06	-9.04	125.79	-11.70	135.13	-9.62	119.36
20691	330.89	-5.12	71.21	-7.90	108.69	-9.11	125.46	-10.89	150.84	-11.46	159.37	-14.82	171.20	-12.19	151.22
20693	-215.93	-65.88	11.60	-98.76	17.19	-114.37	18.74	-131.10	18.66	-145.51	29.75	-152.95	24.11	-128.59	18.82
20694	359.11	-9.10	96.60	-13.62	145.41	-15.84	168.20	-18.55	192.50	-34.43	213.26	-24.90	224.17	-19.08	189.51
20695	192.32	-3.18	41.92	-4.78	63.10	-5.54	73.21	-6.59	88.25	-7.11	94.11	-10.19	105.46	-8.01	90.79
20701	211.53	-3.50	46.11	-5.26	69.41	-6.09	80.52	-7.25	97.06	-7.82	103.51	-11.21	116.00	-8.81	99.86
20703	-379.81	-88.32	8.24	-132.99	12.37	-154.33	14.36	-186.96	17.23	-204.44	18.39	-223.25	24.50	-192.81	18.23
20704	432.20	-8.83	96.85	-13.25	145.83	-15.38	169.22	-18.42	204.91	-19.70	224.80	-26.10	244.54	-19.35	211.29
20705	0.93	0.05	0.05	0.05	0.05	0.05	0.05	0.05	0.05	0.05	0.05	0.05	0.05	0.05	0.05
20711	1.37	0.05	0.05	0.05	0.05	0.05	0.05	0.05	0.05	0.05	0.05	0.05	0.05	0.05	0.05
20713	-472.38	-86.13	7.89	-130.17	11.91	-150.77	13.77	-190.27	17.35	-212.90	18.14	-229.92	25.41	-201.24	20.42
20714	433.03	-7.01	76.49	-10.58	115.60	-12.24	133.90	-15.42	169.06	-15.95	189.12	-22.59	204.31	-18.09	178.85
20715	-259.11	-44.34	3.50	-67.00	5.29	-77.59	6.11	-97.78	7.73	-101.56	7.99	-121.00	13.25	-104.73	10.46

2012 NORTH TRUSS FORCES BASED ON 3D MODEL STAAD OUTPUT

TRUSS MEMBER ENVELOPE FORCES TRANSFERRED TO GUSSET PLATE (KIPS)															
Member	Dead	2F1		3F1		4F1		5C1		(HS20-44)		HS-20 Truck Train		5C1 Truck Train	
		Compr.	Tens.	Compr.	Tens.	Compr.	Tens.	Compr.	Tens.	Compr.	Tens.	Compr.	Tens.	Compr.	Tens.
21281	-4.47	-17.75	17.84	-27.13	27.32	-31.74	32.03	-44.41	44.09	-47.05	44.71	N/A	N/A	N/A	N/A
21282	583.77	-14.35	99.76	-21.46	151.32	-24.35	175.50	-27.32	229.91	-30.85	247.36	N/A	N/A	N/A	N/A
21283	-462.42	-80.98	11.65	-122.83	17.42	-142.46	19.77	-186.62	22.18	-201.23	25.04	N/A	N/A	N/A	N/A
21285	344.02	-0.81	55.75	-1.07	84.17	-1.06	97.09	-0.98	122.78	-1.20	126.84	N/A	N/A	N/A	N/A
21291	163.82	-0.39	26.55	-0.51	40.08	-0.51	46.23	-0.46	58.47	-0.57	60.40	N/A	N/A	N/A	N/A
21292	441.40	-14.54	86.96	-20.96	131.51	-22.70	152.00	-22.67	193.00	-27.93	198.96	N/A	N/A	N/A	N/A
21293	-349.03	-71.87	12.70	-108.70	18.29	-125.64	19.79	-159.59	19.68	-164.47	24.33	N/A	N/A	N/A	N/A
21295	280.22	-1.42	43.92	-2.06	66.36	-2.34	76.75	-1.95	98.93	-2.77	100.19	N/A	N/A	N/A	N/A
21301	588.46	-2.99	92.23	-4.33	139.36	-4.91	161.18	-4.09	207.76	-5.81	210.39	N/A	N/A	N/A	N/A
21302	287.74	-24.37	74.82	-35.80	112.74	-39.84	129.76	-33.46	158.04	-49.57	169.05	N/A	N/A	N/A	N/A
21303	-224.84	-61.79	20.18	-93.11	29.66	-107.17	33.00	-130.53	27.72	-139.62	41.06	N/A	N/A	N/A	N/A
21305	750.71	-4.86	118.20	-7.27	178.22	-8.34	207.33	-8.92	263.23	-10.41	268.00	N/A	N/A	N/A	N/A
21311	323.84	-2.10	50.99	-3.13	76.88	-3.60	89.44	-3.85	113.55	-4.49	115.61	N/A	N/A	N/A	N/A
21312	128.51	-37.09	62.26	-55.23	93.39	-62.53	106.94	-63.32	122.48	-79.61	138.43	N/A	N/A	N/A	N/A
21313	-117.57	-79.27	6.12	-116.10	8.94	-127.03	9.78	-112.19	8.64	-139.56	10.77	N/A	N/A	N/A	N/A
21314	51.15	-46.14	52.10	-68.65	78.18	-77.88	89.44	-80.21	101.76	-99.74	115.40	N/A	N/A	N/A	N/A
21315	375.62	-3.00	59.96	-4.51	90.39	-5.24	105.16	-6.43	132.86	-6.72	135.76	N/A	N/A	N/A	N/A
21321	794.58	-6.36	126.84	-9.55	191.21	-11.09	222.45	-13.61	281.06	-14.22	287.19	N/A	N/A	N/A	N/A
21323	-167.74	-53.36	25.61	-80.54	37.53	-92.72	41.81	-112.41	35.05	-120.53	52.32	N/A	N/A	N/A	N/A
21324	224.87	-31.69	66.22	-46.44	99.95	-51.74	115.07	-43.37	139.50	-64.74	149.57	N/A	N/A	N/A	N/A
21325	660.69	-5.71	106.02	-8.57	160.25	-9.92	185.00	-12.46	237.99	-12.73	241.58	N/A	N/A	N/A	N/A
21331	281.14	-2.43	45.11	-3.65	68.19	-4.22	78.72	-5.30	101.27	-5.42	102.80	N/A	N/A	N/A	N/A
21333	-312.24	-65.53	13.03	-99.22	18.42	-114.68	19.60	-144.95	19.70	-149.83	24.15	N/A	N/A	N/A	N/A
21334	415.14	-15.41	82.59	-21.82	125.05	-23.26	144.53	-23.55	182.64	-28.70	188.83	N/A	N/A	N/A	N/A
21335	164.66	-1.56	26.32	-2.34	39.93	-2.68	46.27	-3.25	59.89	-3.47	60.64	N/A	N/A	N/A	N/A
21341	411.64	-3.90	65.80	-5.86	99.83	-6.71	115.67	-8.14	149.72	-8.69	151.60	N/A	N/A	N/A	N/A
21343	-463.33	-77.26	5.42	-117.27	8.21	-135.95	9.50	-177.10	12.44	-193.75	13.72	N/A	N/A	N/A	N/A
21344	625.17	-7.07	100.88	-10.71	153.13	-12.40	177.53	-16.23	231.25	-17.91	253.23	N/A	N/A	N/A	N/A
21345	-0.10	-0.93	0.99	-1.42	1.51	-1.67	1.77	-2.41	2.55	-2.65	2.76	N/A	N/A	N/A	N/A
21351	-0.10	-0.93	0.99	-1.42	1.51	-1.67	1.77	-2.41	2.55	-2.65	2.76	N/A	N/A	N/A	N/A
21353	-562.22	-88.08	6.86	-134.27	10.34	-156.19	11.91	-209.19	15.14	-225.98	15.51	N/A	N/A	N/A	N/A

SOUTH TRUSS

2012 SOUTH TRUSS FORCES BASED ON 3D MODEL STAAD OUTPUT

TRUSS MEMBER ENVELOPE FORCES TRANSFERRED TO GUSSET PLATE (KIPS)															
Member	Dead	2F1		3F1		4F1		5C1		(HS20-44)		HS-20 Truck Train		5C1 Truck Train	
		Compr.	Tens.	Compr.	Tens.	Compr.	Tens.	Compr.	Tens.	Compr.	Tens.	Compr.	Tens.	Compr.	Tens.
10141	139.23	-128.44	98.13	-194.81	148.32	-225.54	171.65	-293.03	225.42	-342.48	224.24	-351.40	255.37	-325.21	190.55
10143	-237.43	-58.71	30.41	-87.54	45.48	-99.66	52.10	-124.58	60.70	-178.12	66.72	-168.71	69.42	-145.32	60.04
10144	183.52	-60.86	78.44	-91.20	116.49	-104.54	132.08	-121.99	159.24	-134.72	228.12	-132.48	210.28	-116.12	183.18
10145	47.45	-104.70	67.47	-158.77	101.79	-184.35	117.83	-238.17	152.71	-294.73	152.97	-291.40	173.67	-263.42	143.01
10151	116.39	-256.84	165.50	-389.47	249.72	-452.24	289.06	-584.26	374.61	-723.00	375.26	-714.84	426.03	-646.21	350.82
10153	-124.82	-74.80	5.43	-109.50	7.96	-119.35	8.72	-102.71	7.64	-130.35	9.64	-130.47	9.78	-104.19	8.01
10155	116.39	-256.85	165.51	-389.48	249.73	-452.26	289.08	-584.28	374.63	-723.01	375.28	-714.86	426.06	-646.23	350.83
10161	47.45	-104.70	67.47	-158.77	101.80	-184.36	117.84	-238.18	152.72	-294.73	152.98	-291.41	173.68	-263.43	143.01
10162	22.19	-52.70	88.61	-79.62	133.31	-92.13	153.16	-120.18	184.16	-120.27	212.63	-139.94	223.25	-115.24	181.21
10163	-137.66	-66.44	32.88	-100.19	49.66	-115.44	57.44	-143.73	74.89	-168.78	74.99	-183.08	87.51	-155.48	53.50
10165	69.64	-120.64	87.56	-182.09	131.86	-211.96	153.01	-276.21	194.88	-325.18	196.83	-334.56	217.26	-308.75	193.62
10171	69.55	-120.48	87.45	-181.85	131.69	-211.68	152.81	-275.85	194.62	-324.75	196.57	-334.12	216.97	-308.35	193.36
10172	172.37	-59.49	122.92	-89.99	185.22	-104.26	213.33	-137.69	265.50	-136.35	286.31	-157.78	315.84	-101.71	278.58
10173	-249.72	-92.16	37.66	-139.26	56.97	-160.83	65.99	-205.06	87.15	-219.20	86.32	-243.98	99.90	-223.37	64.62
10175	161.36	-101.15	97.32	-152.57	146.56	-177.41	170.08	-230.47	216.66	-258.40	218.81	-275.58	242.82	-257.01	215.43
10181	148.19	-92.90	89.38	-140.12	134.60	-162.94	156.20	-211.67	198.98	-237.32	200.95	-253.09	223.00	-236.04	197.85
10182	250.79	-49.43	119.78	-74.70	180.91	-86.53	208.81	-113.54	265.31	-112.95	290.24	-129.11	309.59	-93.87	290.01
10183	-304.06	-101.27	35.42	-153.11	53.53	-176.95	62.00	-227.75	81.35	-245.82	80.93	-275.09	92.48	-250.71	67.24
10185	248.69	-57.96	80.69	-87.30	121.50	-101.02	141.01	-129.03	179.68	-135.51	181.43	-154.68	202.61	-141.29	178.82
10191	438.66	-102.24	142.32	-153.98	214.32	-178.20	248.73	-227.60	316.93	-239.03	320.03	-272.85	357.37	-249.22	315.42
10192	228.94	-40.42	109.49	-60.92	165.31	-70.65	190.74	-90.91	242.84	-91.36	262.41	-102.66	293.87	-88.33	266.86
10193	-306.26	-100.33	31.07	-151.62	46.82	-175.19	54.31	-225.23	70.03	-240.28	70.22	-272.43	79.02	-248.01	67.84
10195	574.78	-47.50	119.05	-71.20	179.28	-81.81	208.08	-102.23	265.21	-106.50	267.76	-120.88	301.27	-109.66	264.24
10201	436.04	-36.04	90.31	-54.01	136.00	-62.06	157.85	-77.56	201.19	-80.80	203.13	-91.70	228.55	-83.19	200.46
10202	170.13	-33.01	75.10	-49.70	113.37	-57.67	130.84	-73.39	166.44	-74.16	174.88	-80.87	200.26	-72.78	181.98
10203	-610.73	-96.85	27.30	-146.37	41.15	-169.98	47.67	-224.41	62.58	-289.29	62.04	-276.23	69.19	-258.19	54.55
10204	306.45	-5.11	71.23	-7.38	103.46	-8.55	119.15	-8.48	123.09	-10.44	150.83	-13.25	161.89	-10.04	131.77
10205	351.93	-9.31	59.20	-13.87	88.60	-15.78	102.77	-20.14	128.66	-20.21	137.60	-26.72	157.75	-23.74	132.21
10211	371.27	-9.82	62.45	-14.64	93.47	-16.64	108.41	-21.25	135.73	-21.32	145.16	-28.19	166.41	-25.04	139.48
10213	-410.38	-85.30	6.99	-125.59	10.23	-143.88	11.79	-163.24	12.82	-200.67	14.60	-209.86	20.74	-179.19	16.47
10214	368.25	-5.46	77.24	-7.87	111.70	-9.05	128.81	-10.53	151.73	-10.95	178.31	-17.18	184.62	-13.78	160.82
10215	195.90	-11.56	37.79	-17.14	56.55	-19.42	65.10	-21.56	80.08	-25.02	84.24	-25.67	100.66	-21.39	81.05
10221	231.64	-13.67	44.69	-20.27	66.86	-22.97	76.97	-25.50	94.69	-29.58	99.61	-30.36	119.02	-25.29	95.84
10223	-436.31	-86.12	6.18	-127.14	9.02	-145.47	10.39	-180.61	12.82	-209.30	12.98	-218.89	20.78	-191.16	16.58
10224	437.17	-6.25	91.33	-9.34	136.05	-10.64	155.04	-12.86	190.22	-13.76	208.34	-20.27	225.01	-15.14	193.47
10225	-0.55	-14.50	14.47	-21.90	21.86	-25.30	25.25	-32.07	32.07	-32.42	32.38	-40.69	40.68	-29.96	29.91
10231	-0.85	-22.65	22.61	-34.22	34.15	-39.53	39.46	-50.10	50.10	-50.66	50.59	-63.58	63.57	-46.81	46.73
10233	-395.45	-89.49	6.14	-133.30	9.16	-151.91	10.44	-186.38	12.62	-204.16	13.50	-220.51	19.87	-189.59	14.84
10234	407.81	-9.38	110.51	-13.91	163.21	-15.73	186.50	-17.42	213.53	-20.25	237.32	-19.86	245.68	-16.52	212.60
10235	-312.01	-97.80	21.28	-144.24	32.15	-166.36	37.10	-194.51	45.70	-209.46	47.61	-221.77	60.00	-188.00	43.64
10241	-234.01	-73.35	15.96	-108.18	24.11	-124.77	27.82	-145.88	34.27	-157.09	35.71	-166.33	45.00	-141.00	32.73
10243	-261.17	-74.03	6.69	-109.35	9.92	-124.91	11.22	-142.95	12.35	-159.00	14.44	-164.67	13.81	-142.23	11.61
10244	220.29	-28.42	86.12	-40.13	125.70	-42.68	142.63	-41.26	146.30	-52.61	178.12	-35.31	183.40	-27.77	144.26
10245	-284.80	-80.18	10.03	-120.03	15.10	-137.65	17.46	-157.04	21.19	-172.94	22.39	-171.96	26.46	-154.67	20.91
10251	-481.97	-135.68	16.97	-203.12	25.56	-232.95	29.55	-265.77	35.85	-292.66	37.88	-291.01	44.78	-261.75	35.38
10253	-121.20	-79.06	5.69	-115.67	8.31	-126.07	9.08	-107.94	7.74	-137.56	9.94	-137.60	9.98	-109.36	7.96
10255	-481.97	-135.66	16.98	-203.10	25.57	-232.92	29.56	-265.70	35.87	-292.61	37.90	-290.97	44.78	-261.69	35.41
10261	-284.80	-80.16	10.03	-120.01	15.11	-137.63	17.47	-157.01	21.19	-172.91	22.40	-171.93	26.46	-154.63	20.92
10262	45.36	-44.28	66.59	-62.93	97.64	-68.38	108.84	-57.43	94.18	-84.09	136.50	-76.02	132.73	-47.89	86.93
10263	-149.47	-63.86	15.19	-94.93	20.50	-107.59	20.63	-111.82	21.36	-137.77	25.45	-137.25	23.48	-110.10	18.91
10265	-335.90	-93.04	9.12	-138.22	13.58	-159.66	15.65	-181.44	18.53	-201.46	19.87	-202.66	22.06	-179.75	17.18
10271	-298.58	-82.70	8.10	-122.87	12.07	-141.92	13.91	-161.28	16.47	-179.08	17.66	-180.14	19.61	-159.78	15.27
10272	281.05	-11.36	100.33	-16.12	149.07	-17.66	168.84	-19.89	177.68	-22.50	216.01	-23.50	215.43	-19.20	175.14
10273	-307.45	-89.21	8.31	-133.61	12.46	-152.74	14.31	-174.29	16.84	-197.53	18.48	-204.38	22.70	-173.49	16.44
10275	-191.48	-53.46	4.71	-80.05	7.06	-91.48	8.08	-104.08	9.37	-118.26	10.43	-122.22	12.49	-103.65	9.16

2012 SOUTH TRUSS FORCES BASED ON 3D MODEL STAAD OUTPUT

TRUSS MEMBER ENVELOPE FORCES TRANSFERRED TO GUSSET PLATE (KIPS)															
Member	Dead	2F1		3F1		4F1		5C1		(HS20-44)		HS-20 Truck Train		5C1 Truck Train	
		Compr.	Tens.	Compr.	Tens.	Compr.	Tens.	Compr.	Tens.	Compr.	Tens.	Compr.	Tens.	Compr.	Tens.
10281	-239.35	-66.83	5.89	-100.06	8.82	-114.34	10.10	-130.10	11.71	-147.83	13.04	-152.78	15.61	-129.56	11.45
10282	360.31	-8.95	100.32	-13.41	150.22	-15.37	171.69	-17.92	195.54	-19.84	222.00	-23.81	229.55	-17.52	194.75
10283	-404.84	-89.71	8.03	-135.01	12.12	-155.21	13.99	-188.10	17.27	-202.05	18.20	-224.90	24.46	-189.98	18.06
10285	0.04	0.05	0.05	0.05	0.05	0.05	0.05	0.05	0.05	0.05	0.05	0.05	0.05	0.05	0.05
10291	0.02	0.05	0.05	0.05	0.05	0.05	0.05	0.05	0.05	0.05	0.05	0.05	0.05	0.05	0.05
10292	365.94	-7.01	77.94	-10.58	117.35	-12.21	134.96	-15.09	163.93	-15.88	175.74	-21.38	195.65	-15.90	165.60
10293	-428.71	-87.81	7.42	-131.05	11.08	-149.21	12.65	-182.46	15.62	-206.51	16.37	-221.47	22.48	-191.09	18.07
10295	153.46	-2.91	32.75	-4.38	49.31	-5.06	56.71	-6.26	68.89	-6.58	73.84	-8.89	82.22	-6.73	69.59
10301	117.81	-2.23	25.14	-3.37	37.86	-3.89	43.54	-4.80	52.89	-5.05	56.69	-6.83	63.12	-5.17	53.43
10302	324.33	-5.77	68.68	-8.52	101.33	-9.60	113.80	-11.54	134.82	-12.31	154.30	-16.75	165.42	-13.76	141.52
10303	-804.36	-93.88	18.09	-141.27	27.17	-164.80	31.59	-219.35	40.64	-308.90	40.82	-284.03	44.24	-261.44	37.86
10304	394.30	-32.29	89.02	-48.55	133.70	-55.85	153.49	-69.80	201.09	-72.56	216.74	-79.48	242.59	-69.83	221.76
10305	133.79	-30.52	58.66	-45.82	88.29	-52.59	101.52	-68.83	126.65	-71.27	132.13	-84.54	144.63	-77.37	126.64
10311	172.02	-39.24	75.43	-58.91	113.51	-67.61	130.53	-88.50	162.84	-91.64	169.88	-108.70	185.95	-99.48	162.82
10313	-499.69	-101.12	23.72	-151.90	35.61	-174.42	41.04	-228.76	51.42	-249.18	53.15	-275.15	58.67	-251.83	51.48
10314	463.09	-30.00	107.39	-45.04	161.02	-51.87	185.12	-64.92	239.72	-67.21	258.26	-74.21	284.56	-65.06	260.64
10315	-87.46	-94.00	92.15	-140.95	138.64	-164.10	159.43	-213.73	198.94	-226.32	207.41	-252.44	226.91	-234.53	199.00
10321	-58.75	-63.15	61.90	-94.68	93.13	-110.23	107.10	-143.58	133.64	-152.03	139.33	-169.58	152.43	-157.55	133.68
10323	-498.51	-102.52	22.45	-153.80	33.60	-176.41	39.08	-229.26	50.17	-248.06	50.24	-271.73	58.23	-248.90	52.10
10324	497.54	-30.00	116.20	-44.90	173.84	-52.22	199.90	-67.05	254.53	-67.14	276.32	-77.82	293.53	-69.63	274.04
10325	-270.40	-100.70	67.09	-151.91	100.91	-176.57	116.07	-230.15	144.84	-254.03	150.90	-270.05	165.62	-253.76	144.86
10331	-275.06	-102.44	68.24	-154.53	102.65	-179.62	118.07	-234.11	147.34	-258.41	153.50	-274.70	168.47	-258.13	147.35
10333	-408.81	-90.49	23.33	-135.42	34.93	-154.98	40.61	-198.17	52.15	-212.11	52.31	-233.26	61.51	-215.65	54.52
10334	416.36	-34.37	110.78	-51.47	165.21	-59.84	189.10	-76.85	236.04	-77.09	256.96	-90.66	283.27	-80.34	250.19
10335	-520.45	-151.58	77.21	-229.88	116.00	-266.09	133.59	-345.83	166.94	-401.98	173.41	-413.64	191.17	-382.42	166.68
10341	-352.75	-102.74	52.33	-155.81	78.62	-180.35	90.54	-234.39	113.15	-272.45	117.53	-280.36	129.57	-259.20	112.97
10343	-213.01	-58.74	27.03	-87.55	40.15	-99.68	45.71	-124.33	48.43	-139.83	58.29	-155.97	58.16	-134.23	46.22
10344	127.18	-51.49	72.99	-77.05	108.29	-88.37	122.60	-102.20	147.41	-113.87	158.95	-103.80	176.98	-90.51	143.38
10345	-353.58	-97.11	41.71	-147.23	62.51	-170.96	72.21	-220.56	90.46	-271.58	93.28	-269.14	103.11	-243.74	90.29
10351	-822.07	-225.78	96.98	-342.31	145.34	-397.47	167.88	-512.80	210.31	-631.43	216.87	-625.75	239.73	-566.70	209.93
10353	-123.25	-75.72	5.66	-110.85	8.29	-120.84	9.06	-103.90	7.80	-132.07	9.96	-131.57	9.87	-101.16	7.30
10355	-822.07	-225.80	96.99	-342.32	145.35	-397.50	167.90	-512.83	210.33	-631.44	216.89	-625.77	239.76	-566.72	209.94
10361	-354.26	-97.31	41.80	-147.52	62.64	-171.30	72.36	-221.00	90.64	-272.11	93.47	-269.67	103.32	-244.22	90.47
10362	241.70	-36.77	93.36	-55.24	140.36	-63.38	161.16	-78.31	193.56	-82.34	209.56	-90.45	225.93	-79.63	188.04
10363	-289.49	-73.92	24.45	-111.51	36.74	-128.55	42.18	-160.33	51.87	-172.31	54.81	-194.82	59.34	-166.76	52.25
10365	-334.28	-99.86	48.52	-150.55	72.71	-175.31	84.49	-228.41	108.51	-267.35	108.94	-275.93	129.03	-254.97	113.81
10371	-449.18	-134.18	65.21	-202.30	97.71	-235.58	113.53	-306.93	145.81	-359.25	146.38	-370.78	173.38	-342.61	152.93
10372	452.38	-36.98	113.95	-55.71	171.71	-64.10	197.86	-80.37	245.97	-83.50	265.90	-93.22	291.85	-81.90	257.75
10373	-441.34	-93.67	25.80	-141.58	38.86	-163.58	44.72	-208.94	56.07	-222.99	58.25	-247.94	65.03	-226.84	57.12
10375	-210.57	-88.56	57.57	-133.59	86.39	-155.17	100.25	-201.16	128.78	-224.64	129.48	-241.34	155.27	-224.23	135.86
10381	-214.08	-90.03	58.53	-135.82	87.83	-157.76	101.92	-204.52	130.92	-228.38	131.64	-245.37	157.86	-227.97	138.12
10382	503.25	-33.37	118.58	-50.20	179.07	-57.83	206.67	-73.05	262.13	-75.22	291.52	-84.36	309.20	-74.52	287.65
10383	-517.87	-108.77	25.92	-164.41	38.99	-189.94	44.92	-244.44	56.74	-266.64	58.43	-295.44	65.51	-269.39	57.87
10385	-2.97	-49.86	47.41	-75.03	71.29	-86.80	82.61	-110.54	106.16	-114.85	106.90	-132.52	130.45	-121.02	112.85
10391	-4.50	-75.50	71.80	-113.62	107.96	-131.44	125.10	-167.38	160.76	-173.92	161.88	-200.67	197.55	-183.27	170.89
10392	442.91	-29.40	102.18	-44.02	154.28	-51.18	178.04	-65.78	227.13	-65.95	246.91	-75.30	274.98	-67.59	249.94
10393	-495.35	-100.43	24.11	-151.75	36.12	-175.27	41.99	-225.36	54.00	-249.82	54.14	-272.69	61.91	-248.40	55.45
10395	215.37	-33.33	57.22	-50.05	86.25	-57.47	99.93	-70.53	128.36	-74.49	129.55	-83.04	161.07	-74.70	138.23
10401	157.26	-24.34	41.78	-36.54	62.98	-41.96	72.97	-51.50	93.72	-54.39	94.59	-60.63	117.61	-54.54	100.93
10402	358.88	-32.91	87.03	-49.26	131.26	-57.30	151.33	-73.52	191.76	-73.75	206.50	-84.00	230.66	-75.57	209.43
10403	-796.24	-97.84	20.66	-147.61	31.18	-171.27	36.05	-223.68	46.19	-314.36	46.78	-286.85	54.31	-260.24	47.30
10404	324.54	-4.76	63.49	-6.88	91.26	-7.91	105.26	-9.49	122.89	-9.60	151.10	-14.85	150.85	-12.36	135.39
10405	148.39	-6.25	20.51	-9.28	30.98	-10.51	35.93	-12.35	45.49	-13.40	62.05	-16.17	61.52	-14.19	52.08
10411	171.95	-7.24	23.77	-10.76	35.90	-12.18	41.63	-14.31	52.71	-15.53	71.91	-18.74	71.28	-16.45	60.35
10413	-473.16	-86.44	6.50	-126.54	9.49	-145.30	10.93	-180.22	13.96	-218.37	13.72	-219.43	21.54	-199.16	18.14

2012 SOUTH TRUSS FORCES BASED ON 3D MODEL STAAD OUTPUT

TRUSS MEMBER ENVELOPE FORCES TRANSFERRED TO GUSSET PLATE (KIPS)															
Member	Dead	2F1		3F1		4F1		5C1		(HS20-44)		HS-20 Truck Train		5C1 Truck Train	
		Compr.	Tens.	Compr.	Tens.	Compr.	Tens.	Compr.	Tens.	Compr.	Tens.	Compr.	Tens.	Compr.	Tens.
10414	397.12	-5.19	70.69	-7.93	106.02	-9.26	121.49	-12.39	155.53	-12.24	177.98	-18.56	187.44	-14.56	164.54
10415	17.64	-7.95	8.08	-12.00	12.19	-13.78	14.10	-16.58	17.22	-17.41	18.56	-21.76	23.31	-15.16	17.37
10421	28.46	-12.82	13.04	-19.37	19.67	-22.24	22.75	-26.75	27.78	-28.10	29.95	-35.11	37.61	-24.47	28.04
10423	-473.75	-90.18	6.63	-135.25	10.13	-154.99	11.83	-198.42	15.82	-227.10	15.62	-239.12	23.66	-209.90	18.55
10424	433.67	-6.84	94.26	-10.11	140.15	-11.60	160.00	-13.43	195.20	-14.70	215.46	-19.29	231.72	-15.73	199.71
10425	-242.61	-65.21	13.80	-96.88	20.79	-111.57	23.99	-136.32	28.39	-142.82	30.96	-162.19	40.09	-131.92	27.01
10431	-242.61	-65.21	13.80	-96.88	20.79	-111.57	23.99	-136.32	28.39	-142.82	30.96	-162.19	40.09	-131.92	27.01
10433	-400.49	-89.47	6.57	-133.02	9.74	-151.76	11.14	-185.20	12.97	-205.57	14.23	-220.63	18.95	-190.08	15.44
10434	387.22	-7.97	101.83	-11.74	150.36	-13.46	172.04	-15.03	197.04	-16.94	218.33	-21.05	229.09	-17.39	200.32
10435	-518.43	-122.50	13.92	-182.75	21.00	-211.88	24.15	-255.91	28.99	-269.23	30.94	-289.54	39.57	-249.88	28.79
10441	-353.30	-83.48	9.49	-124.54	14.31	-144.39	16.46	-174.40	19.75	-183.48	21.08	-197.31	26.97	-170.29	19.62
10443	-225.61	-64.03	12.60	-94.56	17.92	-107.35	19.31	-122.79	19.08	-137.63	23.91	-143.75	20.47	-126.16	16.24
10444	153.30	-32.20	68.87	-47.08	100.64	-52.37	113.33	-45.67	115.01	-65.40	142.29	-45.88	138.98	-31.50	117.34
10445	-386.50	-83.64	7.01	-126.50	10.55	-145.47	12.17	-168.80	14.48	-184.57	15.63	-188.17	19.33	-170.02	14.53
10451	-630.90	-136.53	11.44	-206.49	17.22	-237.46	19.87	-275.54	23.64	-301.28	25.51	-307.16	31.55	-277.53	23.72
10453	-122.92	-74.92	5.17	-109.69	7.55	-119.72	8.27	-103.08	7.17	-130.73	9.11	-130.73	9.12	-104.38	7.42
10455	-630.89	-136.51	11.44	-206.45	17.22	-237.42	19.87	-275.48	23.65	-301.24	25.52	-307.11	31.52	-277.48	23.69
10461	-443.96	-96.06	8.05	-145.28	12.12	-167.08	13.98	-193.86	16.64	-211.98	17.96	-216.12	22.18	-195.26	16.67
10462	153.91	-28.37	73.21	-40.50	108.82	-43.33	123.25	-34.82	125.93	-53.48	157.55	-41.58	156.55	-33.18	121.13
10463	-225.90	-68.21	10.37	-102.06	14.16	-116.47	14.27	-132.04	14.31	-150.34	17.42	-154.01	19.41	-129.96	13.52
10465	-365.23	-79.34	5.72	-118.68	8.54	-136.49	9.74	-163.77	11.36	-174.81	12.52	-187.13	15.34	-163.84	11.25
10471	-519.01	-112.74	8.12	-168.65	12.14	-193.97	13.83	-232.73	16.14	-248.42	17.80	-265.92	21.81	-232.82	15.99
10472	387.78	-7.69	100.90	-11.50	150.97	-13.11	172.29	-14.89	195.65	-16.89	222.38	-20.01	228.83	-14.50	193.94
10473	-400.30	-90.25	6.14	-135.67	9.24	-155.67	10.62	-186.18	12.51	-209.40	13.77	-221.60	17.44	-188.37	12.70
10475	-246.95	-53.62	3.38	-80.59	5.08	-92.46	5.83	-110.45	6.84	-120.02	7.56	-131.01	9.39	-111.86	6.93
10481	-246.95	-53.62	3.38	-80.59	5.08	-92.46	5.83	-110.45	6.84	-120.02	7.56	-131.01	9.39	-111.86	6.93
10482	424.39	-5.98	91.97	-9.00	138.24	-10.34	158.61	-12.19	189.60	-13.42	214.75	-16.83	225.30	-12.45	191.96
10483	-477.63	-84.61	5.65	-128.33	8.62	-148.83	10.09	-185.21	13.29	-220.31	13.30	-222.48	19.54	-193.67	15.09
10485	0.03	0.05	0.05	0.05	0.05	0.05	0.05	0.05	0.05	0.05	0.05	0.05	0.05	0.05	0.05
10491	0.02	0.05	0.05	0.05	0.05	0.05	0.05	0.05	0.05	0.05	0.05	0.05	0.05	0.05	0.05
10492	382.44	-4.48	66.44	-6.83	100.74	-8.00	116.77	-10.52	144.95	-10.52	170.29	-15.46	174.62	-12.04	151.98
10493	-466.80	-80.57	6.83	-121.01	10.10	-138.80	11.40	-169.73	13.75	-209.54	14.55	-192.51	21.88	-183.77	17.96
10495	129.74	-1.49	22.75	-2.28	34.49	-2.66	39.98	-3.50	49.63	-3.50	51.60	-5.20	59.67	-4.17	51.93
10501	109.14	-1.25	19.13	-1.92	29.01	-2.24	33.63	-2.94	41.75	-2.95	43.40	-4.38	50.19	-3.51	43.68
10502	342.77	-4.34	59.16	-6.33	88.50	-7.24	100.82	-7.94	120.50	-8.83	149.94	-13.85	136.70	-10.94	129.61
10503	-892.72	-82.87	16.91	-125.96	25.70	-146.46	29.86	-194.05	38.28	-313.51	38.66	-263.94	38.52	-237.55	37.21
10504	430.51	-26.39	70.88	-40.23	107.80	-46.58	124.64	-59.45	162.91	-60.30	204.62	-69.45	203.16	-61.91	184.31
10505	110.11	-18.95	39.47	-28.82	60.18	-33.33	69.72	-43.60	88.28	-53.03	90.03	-55.17	101.93	-49.68	91.06
10511	143.81	-24.75	51.55	-37.64	78.61	-43.53	91.07	-56.94	115.30	-69.27	117.59	-72.06	133.13	-64.89	118.94
10513	-530.26	-80.14	21.50	-121.85	32.56	-140.89	37.63	-183.74	46.90	-235.78	48.25	-227.34	54.36	-205.75	48.73
10514	483.88	-25.05	81.73	-38.20	124.20	-44.25	143.85	-56.84	186.98	-57.29	236.96	-66.12	220.79	-59.14	206.46
10515	-72.09	-57.74	61.73	-87.75	94.12	-101.90	109.04	-133.86	138.26	-169.72	140.84	-160.88	159.77	-149.89	142.86
10521	-46.69	-37.39	39.98	-56.83	60.95	-65.99	70.61	-86.69	89.54	-109.91	91.21	-104.19	103.47	-97.07	92.52
10523	-554.48	-86.92	21.44	-132.10	32.42	-152.86	37.54	-199.21	48.96	-250.19	48.68	-234.29	54.93	-219.52	49.88
10524	524.50	-25.58	89.39	-39.03	135.75	-45.32	157.30	-59.12	203.64	-58.78	257.00	-66.33	240.97	-60.22	219.66
10525	-234.97	-64.45	47.26	-98.09	72.04	-114.06	83.46	-151.03	105.99	-195.06	107.85	-178.36	122.69	-168.64	109.51
10531	-243.77	-66.86	49.03	-101.76	74.74	-118.33	86.58	-156.68	109.95	-202.36	111.89	-185.04	127.29	-174.96	113.61
10533	-375.61	-62.98	18.32	-95.66	27.96	-110.66	32.46	-143.20	42.36	-174.32	42.14	-174.41	48.35	-158.47	43.29
10534	478.27	-30.88	90.08	-47.14	136.67	-54.72	158.17	-71.42	202.69	-71.04	249.42	-81.50	242.14	-72.99	223.25
10535	-449.65	-96.82	54.90	-147.51	83.74	-171.58	97.01	-227.40	123.76	-302.22	125.45	-278.45	143.21	-254.06	127.44
10541	-669.25	-144.11	81.71	-219.56	124.64	-255.37	144.39	-338.46	184.20	-449.82	186.72	-414.44	213.15	-378.14	189.68
10543	-375.27	-73.34	25.52	-111.29	38.95	-128.59	45.24	-165.00	59.03	-198.89	58.74	-197.89	68.14	-183.42	60.47
10544	370.91	-36.06	87.50	-55.04	132.59	-63.93	153.03	-83.41	192.76	-83.00	235.40	-96.28	225.59	-85.44	209.77
10545	-931.70	-184.56	88.91	-281.38	135.77	-327.57	157.47	-431.74	201.91	-597.76	203.51	-540.84	232.34	-498.70	206.47
10551	-456.08	-90.34	43.52	-137.74	66.46	-160.35	77.09	-211.34	98.84	-292.61	99.62	-264.74	113.73	-244.12	101.07

2012 SOUTH TRUSS FORCES BASED ON 3D MODEL STAAD OUTPUT

TRUSS MEMBER ENVELOPE FORCES TRANSFERRED TO GUSSET PLATE (KIPS)															
Member	Dead	2F1		3F1		4F1		5C1		(HS20-44)		HS-20 Truck Train		5C1 Truck Train	
		Compr.	Tens.	Compr.	Tens.	Compr.	Tens.	Compr.	Tens.	Compr.	Tens.	Compr.	Tens.	Compr.	Tens.
10553	-154.07	-48.76	25.64	-73.84	38.63	-85.21	44.36	-106.93	53.37	-126.77	57.18	-122.72	59.87	-113.76	50.50
10554	65.73	-43.73	60.04	-66.13	90.79	-76.31	104.58	-94.29	128.49	-99.05	137.84	-103.83	146.01	-81.80	125.98
10555	-357.39	-71.80	35.24	-109.37	53.79	-127.35	62.46	-168.03	81.50	-241.23	81.09	-207.22	93.45	-195.00	83.38
10561	-978.56	-196.59	96.49	-299.46	147.29	-348.69	171.02	-460.07	223.17	-660.50	222.03	-567.40	255.88	-533.94	228.30
10563	-98.68	-62.88	8.53	-93.01	12.53	-102.62	13.90	-89.16	12.05	-111.97	15.41	-111.52	15.40	-89.73	12.23
10565	-978.55	-196.60	96.49	-299.47	147.29	-348.72	171.02	-460.12	223.17	-660.51	222.03	-567.42	255.89	-533.96	228.30
10571	-357.38	-71.80	35.24	-109.37	53.79	-127.36	62.46	-168.04	81.50	-241.23	81.09	-207.23	93.45	-195.01	83.38
10572	245.59	-30.74	67.43	-46.12	101.80	-53.14	117.55	-63.25	146.69	-68.87	176.08	-73.16	178.49	-63.36	141.17
10573	-272.80	-54.59	19.17	-82.60	29.19	-95.64	33.76	-122.56	42.34	-155.81	43.74	-154.03	50.55	-137.80	44.77
10575	-386.80	-85.73	52.38	-130.66	79.95	-152.15	92.87	-201.70	121.17	-282.43	120.59	-255.15	140.30	-235.68	124.19
10581	-802.03	-177.76	108.61	-270.93	165.79	-315.49	192.57	-418.24	251.25	-585.62	250.04	-529.06	290.92	-488.69	257.52
10582	494.16	-27.78	91.17	-42.37	137.97	-49.10	159.60	-62.67	203.48	-63.60	246.05	-75.66	240.96	-67.25	216.73
10583	-370.70	-60.70	16.01	-91.90	24.27	-106.41	27.99	-137.10	35.71	-166.07	36.25	-166.65	43.13	-141.27	38.32
10585	-455.34	-135.45	105.08	-206.12	160.35	-239.95	186.34	-317.72	243.07	-430.34	241.97	-397.79	284.76	-362.45	249.71
10591	-329.95	-98.15	76.15	-149.36	116.19	-173.87	135.03	-230.23	176.14	-311.84	175.34	-288.26	206.35	-262.64	180.95
10592	550.71	-24.16	91.21	-36.86	138.09	-42.71	159.80	-54.92	204.70	-55.42	256.81	-65.72	246.64	-58.48	217.02
10593	-410.15	-60.62	13.84	-91.86	21.12	-106.46	24.47	-138.57	31.48	-175.18	31.75	-169.73	37.70	-149.65	33.54
10595	-72.75	-63.56	65.78	-96.68	100.34	-112.39	116.65	-147.49	152.13	-191.89	151.49	-177.37	180.27	-167.60	156.65
10601	-105.66	-92.31	95.53	-140.41	145.74	-163.23	169.42	-214.21	220.95	-278.70	220.03	-257.60	261.82	-243.42	227.52
10602	536.57	-25.19	87.67	-38.44	132.89	-44.64	153.84	-58.26	199.16	-57.96	254.95	-67.28	236.17	-60.30	218.83
10603	-561.69	-86.48	21.07	-131.05	32.15	-151.71	37.33	-196.67	48.72	-254.43	48.46	-238.91	56.21	-220.24	50.37
10605	189.35	-54.01	81.41	-82.02	124.17	-95.19	144.38	-121.90	188.29	-148.65	187.54	-147.49	226.26	-136.06	194.44
10611	108.20	-30.87	46.52	-46.87	70.96	-54.39	82.50	-69.66	107.60	-84.94	107.17	-84.28	129.29	-77.75	111.11
10612	450.29	-31.40	80.26	-47.91	121.57	-55.63	140.69	-72.58	180.35	-72.22	230.44	-82.58	220.83	-74.31	200.83
10613	-504.14	-80.12	24.75	-121.29	37.77	-140.23	43.86	-179.66	57.23	-234.60	56.93	-220.61	65.38	-200.37	58.60
10615	248.88	-15.95	42.69	-24.18	65.16	-28.09	75.73	-34.94	98.75	-36.76	111.84	-41.26	120.66	-37.75	102.33
10621	244.00	-15.64	41.85	-23.71	63.88	-27.54	74.25	-34.25	96.81	-36.04	109.65	-40.46	118.30	-37.01	100.32
10622	334.14	-37.69	71.90	-57.51	108.72	-66.77	125.64	-87.12	158.24	-86.68	193.91	-98.98	192.25	-89.18	173.97
10623	-841.08	-95.06	23.82	-144.91	36.16	-168.30	42.08	-217.93	54.38	-305.30	54.69	-266.27	61.94	-240.31	53.39
10624	312.08	-3.21	61.48	-4.85	93.20	-5.58	106.57	-5.61	109.40	-7.01	136.32	-6.63	144.39	-3.95	101.89
10625	271.86	-7.28	39.00	-11.02	59.43	-12.71	69.06	-15.26	88.66	-16.32	105.64	-23.30	113.09	-21.01	98.48
10631	243.28	-6.51	34.90	-9.86	53.19	-11.37	61.80	-13.66	79.34	-14.60	94.54	-20.85	101.20	-18.80	88.13
10633	-454.64	-79.70	6.81	-120.67	10.35	-139.24	11.92	-159.49	13.53	-203.09	15.19	-210.15	20.76	-157.71	13.48
10634	380.35	-4.65	65.26	-7.08	98.90	-8.14	113.35	-9.90	136.02	-10.42	166.76	-14.78	168.41	-11.91	147.68
10635	128.94	-6.56	21.16	-9.82	32.28	-11.32	37.55	-12.94	47.71	-14.43	54.36	-18.80	64.41	-16.59	54.92
10641	177.16	-9.02	29.08	-13.49	44.35	-15.55	51.59	-17.78	65.55	-19.82	74.69	-25.83	88.49	-22.79	75.46
10643	-468.89	-81.21	7.09	-122.96	10.78	-141.90	12.43	-176.25	15.50	-214.81	15.95	-217.97	24.29	-193.71	20.16
10644	429.58	-5.49	74.56	-8.34	112.78	-9.74	131.38	-13.14	165.85	-12.78	190.83	-20.56	201.86	-16.22	175.93
10645	-6.05	-8.11	7.64	-12.35	11.63	-14.35	13.51	-18.31	17.30	-18.40	17.36	-26.13	25.07	-21.74	20.36
10651	-11.35	-15.21	14.33	-23.16	21.82	-26.90	25.34	-34.33	32.44	-34.50	32.55	-49.00	47.02	-40.77	38.18
10653	-468.24	-88.17	6.49	-133.37	9.87	-155.35	11.53	-196.13	15.55	-225.70	15.12	-238.74	24.30	-208.05	19.20
10654	430.80	-7.27	94.53	-10.92	143.00	-12.80	165.73	-15.10	198.80	-16.47	218.83	-23.70	239.67	-18.91	206.03
10655	-283.79	-68.79	15.31	-104.41	23.19	-120.87	26.94	-145.93	33.98	-155.81	34.70	-179.50	51.33	-152.57	40.59
10661	-283.79	-68.79	15.31	-104.41	23.19	-120.87	26.94	-145.93	33.98	-155.81	34.70	-179.50	51.33	-152.57	40.59
10663	-376.56	-85.40	6.55	-129.17	9.83	-149.71	11.53	-179.62	13.64	-198.11	14.84	-216.88	21.72	-186.45	17.39
10664	353.01	-9.57	93.32	-14.18	141.47	-16.12	163.14	-17.88	184.61	-20.46	208.94	-21.36	218.02	-18.36	187.07
10665	-530.58	-119.47	15.21	-182.20	23.05	-210.18	26.76	-255.47	33.67	-268.70	34.36	-292.65	49.04	-248.26	37.78
10671	-347.46	-78.24	9.96	-119.32	15.10	-137.64	17.52	-167.30	22.05	-175.96	22.50	-191.65	32.11	-162.58	24.74
10673	-205.95	-62.06	12.75	-93.92	18.15	-108.34	20.18	-122.02	19.86	-138.98	23.57	-144.94	20.84	-123.92	17.65
10674	120.32	-36.28	64.51	-53.34	97.20	-59.77	111.36	-51.32	111.17	-73.99	140.71	-56.42	145.58	-35.24	113.85
10675	-395.51	-86.78	8.41	-132.09	12.75	-152.76	14.77	-177.64	18.03	-193.96	18.81	-199.44	25.51	-176.38	20.31
10681	-615.87	-135.12	13.10	-205.69	19.86	-237.86	23.01	-276.60	28.08	-302.02	29.29	-310.55	39.73	-274.64	31.63
10683	-122.91	-74.67	5.22	-111.44	7.75	-123.63	8.65	-106.87	7.48	-134.37	9.23	-135.01	9.45	-107.15	7.38
10685	-615.90	-135.12	13.10	-205.68	19.86	-237.85	23.00	-276.59	28.03	-301.99	29.29	-310.54	39.65	-274.63	31.54
10691	-395.53	-86.77	8.41	-132.09	12.76	-152.74	14.77	-177.63	18.00	-193.94	18.81	-199.43	25.46	-176.37	20.26

2012 SOUTH TRUSS FORCES BASED ON 3D MODEL STAAD OUTPUT

Member	TRUSS MEMBER ENVELOPE FORCES TRANSFERRED TO GUSSET PLATE (KIPS)															
	Dead	2F1		3F1		4F1		5C1		(HS20-44)		HS-20 Truck Train		5C1 Truck Train		
		Compr.	Tens.	Compr.	Tens.	Compr.	Tens.	Compr.	Tens.	Compr.	Tens.	Compr.	Tens.	Compr.	Tens.	
10692	140.53	-31.55	68.94	-46.61	102.73	-52.69	118.17	-41.06	122.54	-64.74	148.60	-63.38	147.75	-44.30	116.40	
10693	-219.36	-66.07	11.64	-99.08	16.66	-114.51	18.12	-131.44	18.54	-146.07	20.69	-153.33	24.17	-128.44	18.25	
10695	-338.53	-74.82	6.87	-114.30	10.48	-131.96	12.06	-159.44	14.65	-167.74	15.27	-182.13	19.84	-157.14	14.81	
10701	-516.95	-114.25	10.49	-174.54	16.01	-201.51	18.42	-243.46	22.37	-256.14	23.32	-278.12	30.29	-239.96	22.62	
10702	362.21	-8.90	96.85	-13.48	145.37	-15.60	168.39	-18.22	192.87	-19.54	214.01	-24.80	224.47	-18.59	189.61	
10703	-381.82	-88.44	8.11	-133.28	12.22	-154.32	14.23	-187.13	17.02	-198.99	18.07	-222.71	24.38	-188.04	18.69	
10705	-268.14	-60.16	5.36	-90.65	8.09	-104.98	9.41	-127.12	11.17	-135.30	11.92	-151.23	15.95	-127.66	12.21	
10711	-268.14	-60.16	5.36	-90.65	8.09	-104.98	9.41	-127.12	11.17	-135.30	11.92	-151.23	15.95	-127.66	12.21	
10712	433.80	-8.70	96.96	-13.11	146.12	-15.26	169.19	-18.22	205.06	-19.37	218.45	-26.02	243.91	-19.95	205.96	
10713	-473.70	-86.23	7.79	-130.40	11.77	-150.72	13.66	-190.30	17.24	-213.36	17.72	-230.11	25.13	-201.55	19.98	
10715	0.04	0.05	0.05	0.05	0.05	0.05	0.05	0.05	0.05	0.05	0.05	0.05	0.05	0.05	0.05	
10721	0.02	0.05	0.05	0.05	0.05	0.05	0.05	0.05	0.05	0.05	0.05	0.05	0.05	0.05	0.05	
10722	434.22	-6.92	76.55	-10.45	115.78	-12.13	133.82	-15.31	169.08	-15.74	189.59	-22.33	204.37	-17.69	179.12	
10723	-497.06	-84.28	7.39	-126.56	11.14	-146.68	12.98	-183.81	16.36	-218.19	16.59	-222.56	22.60	-202.68	19.64	
10725	173.02	-2.72	30.55	-4.11	46.21	-4.77	53.41	-6.01	67.48	-6.19	69.62	-8.78	81.56	-6.95	71.49	
10731	115.24	-1.81	20.35	-2.74	30.78	-3.17	35.57	-4.01	44.94	-4.12	46.37	-5.85	54.32	-4.63	47.61	
10732	390.47	-6.04	67.69	-9.22	102.10	-10.63	117.16	-12.93	141.83	-13.30	168.91	-17.78	172.16	-15.26	155.76	
10733	-453.15	-79.47	7.54	-119.37	11.39	-138.22	13.25	-158.82	14.93	-201.10	16.60	-211.20	25.54	-179.14	19.90	
10735	237.34	-3.27	36.29	-4.98	55.19	-5.81	64.13	-7.41	82.27	-7.47	88.33	-10.54	97.21	-8.71	87.75	
10741	172.86	-2.38	26.43	-3.63	40.19	-4.23	46.71	-5.40	59.92	-5.44	64.33	-7.68	70.81	-6.34	63.91	
10742	306.31	-4.36	61.04	-6.68	92.00	-7.67	105.44	-7.49	107.50	-9.41	133.90	-13.45	146.26	-9.67	115.87	
10743	-925.35	-91.90	33.59	-140.36	51.01	-163.86	59.18	-224.16	76.96	-340.78	77.25	-311.83	91.31	-285.47	82.23	
10744	481.51	-50.78	85.57	-77.60	129.92	-90.27	152.11	-118.68	206.84	-117.03	303.76	-136.86	287.48	-124.82	262.95	
10745	231.28	-19.39	55.57	-29.44	84.89	-34.47	98.64	-46.85	128.61	-67.78	127.69	-66.80	146.75	-60.84	133.95	
10751	185.78	-15.57	44.64	-23.65	68.19	-27.68	79.23	-37.63	103.31	-54.44	102.57	-53.66	117.88	-48.87	107.60	
10753	-655.36	-98.02	41.22	-148.75	62.99	-174.23	73.33	-236.97	97.24	-344.01	95.28	-327.04	112.45	-300.40	102.96	
10754	605.15	-48.61	102.68	-74.27	155.99	-86.45	182.45	-114.55	247.61	-112.32	358.95	-132.63	335.30	-121.34	310.57	
10755	40.62	-32.08	46.89	-48.97	71.63	-57.14	83.24	-77.57	108.63	-112.97	107.79	-107.06	124.76	-98.65	113.60	
10761	86.31	-68.18	99.64	-104.06	152.21	-121.42	176.88	-164.84	230.83	-240.07	229.04	-227.50	265.11	-209.62	241.40	
10763	-720.10	-107.96	40.36	-163.94	61.61	-191.89	71.80	-260.98	96.65	-377.97	93.58	-353.10	111.89	-327.72	104.87	
10764	540.82	-37.17	90.21	-56.77	137.18	-66.13	160.37	-89.20	217.41	-86.37	315.84	-103.52	287.99	-97.03	270.48	
10765	-256.24	-117.89	118.11	-180.35	180.46	-210.33	209.82	-287.90	274.99	-428.05	271.89	-389.75	317.03	-365.95	288.80	
10771	-125.00	-57.51	57.61	-87.97	88.03	-102.60	102.35	-140.44	134.14	-208.81	132.63	-190.12	154.65	-178.51	140.88	
10773	-673.68	-105.50	42.06	-160.23	64.22	-187.56	74.96	-254.36	101.79	-363.89	98.04	-335.14	118.72	-315.08	111.43	
10774	548.85	-42.78	96.80	-65.32	147.18	-76.24	171.94	-103.52	231.78	-99.71	333.49	-120.74	312.28	-113.32	284.89	
10775	-345.39	-93.29	73.12	-142.78	111.71	-166.42	129.92	-228.42	170.62	-347.09	168.43	-315.11	197.36	-290.92	179.83	
10781	-658.03	-177.73	139.30	-272.03	212.83	-317.05	247.51	-435.18	325.07	-661.27	320.89	-600.33	376.00	-554.25	342.60	
10783	-566.70	-95.98	42.87	-145.67	65.46	-170.51	76.40	-230.28	103.76	-321.35	99.93	-307.05	121.14	-282.06	113.76	
10784	452.44	-44.91	90.17	-68.57	136.96	-80.04	160.15	-108.70	215.11	-104.68	298.46	-126.90	282.01	-119.17	260.88	
10785	-1025.01	-233.75	153.97	-357.59	235.26	-416.98	273.78	-572.71	362.14	-890.51	355.59	-797.80	417.86	-729.44	382.63	
10791	-1025.01	-233.75	153.97	-357.59	235.26	-416.98	273.78	-572.71	362.14	-890.51	355.59	-797.80	417.86	-729.44	382.63	
10793	-388.85	-80.24	40.33	-121.71	61.58	-142.52	71.87	-191.73	97.63	-265.12	94.00	-254.56	114.09	-233.65	107.19	
10794	336.30	-54.99	98.52	-83.97	149.28	-98.00	174.66	-133.12	232.31	-128.18	311.87	-155.57	305.25	-146.15	277.63	
10795	-1254.90	-277.08	164.62	-423.46	251.30	-494.18	292.76	-676.23	390.84	-1078.67	381.35	-946.69	447.19	-875.91	413.16	
10801	-1254.90	-277.08	164.62	-423.46	251.30	-494.18	292.76	-676.23	390.84	-1078.67	381.35	-946.69	447.19	-875.91	413.16	
10803	-166.55	-62.62	35.01	-94.78	53.47	-110.87	62.40	-146.96	84.77	-196.06	81.61	-193.61	99.18	-176.01	93.22	
10804	43.40	-49.38	77.05	-75.18	116.67	-87.50	136.41	-117.82	179.36	-114.43	221.67	-137.85	225.25	-129.56	204.06	
10805	-1284.37	-299.32	187.02	-457.27	285.56	-533.99	333.30	-727.47	452.64	-1193.59	435.92	-1031.50	528.34	-951.68	496.12	
10811	-546.01	-127.25	79.51	-194.40	121.40	-227.01	141.69	-309.26	192.43	-507.42	185.32	-438.51	224.61	-404.58	210.91	
10813	31.81	-49.32	36.30	-74.71	55.08	-87.30	63.76	-114.94	82.15	-137.17	83.11	-142.02	97.08	-128.48	85.42	
10814	-237.88	-57.43	61.40	-87.36	92.86	-101.43	108.46	-132.67	140.74	-132.70	141.72	-161.94	154.10	-155.51	142.38	
10815	-690.01	-188.36	134.46	-288.03	205.32	-335.98	239.64	-457.36	325.47	-768.60	313.43	-654.13	380.07	-600.06	356.96	
10821	-1117.68	-305.11	217.80	-466.54	332.58	-544.21	388.17	-740.82	527.20	-1244.98	507.68	-1059.55	615.64	-971.97	578.20	
10823	-131.98	-70.02	5.04	-104.55	7.52	-116.08	8.44	-100.90	7.51	-126.62	9.29	-126.69	9.38	-100.86	7.42	
10825	-1117.67	-305.11	217.80	-466.54	332.58	-544.21	388.17	-740.84	527.20	-1244.99	507.69	-1059.54	615.64	-971.98	578.20	

2012 SOUTH TRUSS FORCES BASED ON 3D MODEL STAAD OUTPUT

TRUSS MEMBER ENVELOPE FORCES TRANSFERRED TO GUSSET PLATE (KIPS)																
Member	Dead	2F1		3F1		4F1		5C1		(HS20-44)		HS-20 Truck Train		5C1 Truck Train		
		Compr.	Tens.	Compr.	Tens.	Compr.	Tens.	Compr.	Tens.	Compr.	Tens.	Compr.	Tens.	Compr.	Tens.	
10831	-397.39	-108.48	77.44	-165.88	118.25	-193.50	138.02	-263.41	187.45	-442.66	180.51	-376.73	218.89	-345.59	205.58	
10832	522.72	-38.71	72.66	-58.58	110.34	-68.17	127.88	-87.21	167.62	-88.75	254.26	-93.77	241.05	-84.66	195.00	
10833	-510.69	-57.77	23.51	-87.88	35.44	-102.07	41.22	-135.99	51.41	-218.08	53.40	-207.56	62.33	-171.23	53.63	
10835	-443.93	-170.91	141.26	-261.36	215.71	-304.75	251.76	-416.68	341.96	-686.51	329.28	-593.72	399.50	-546.81	375.26	
10841	-753.41	-290.05	239.74	-443.56	366.09	-517.20	427.27	-707.16	580.34	-1165.09	558.83	-1007.61	677.99	-927.99	636.86	
10842	592.61	-23.11	70.04	-35.32	106.47	-41.04	123.64	-53.60	164.36	-53.14	241.75	-64.77	233.47	-56.68	194.37	
10843	-515.97	-54.61	16.13	-83.06	24.65	-96.53	28.64	-129.65	37.41	-196.89	37.09	-185.72	48.09	-168.02	42.86	
10845	-244.60	-259.71	251.93	-397.12	384.72	-463.37	449.02	-634.51	609.92	-1020.22	587.26	-894.95	712.86	-825.48	669.72	
10851	-134.22	-142.51	138.24	-217.91	211.11	-254.27	246.39	-348.18	334.68	-559.83	322.25	-491.09	391.17	-452.97	367.50	
10852	704.46	-25.52	82.72	-38.98	125.78	-45.32	146.12	-59.46	195.63	-58.74	278.35	-70.32	260.88	-63.64	239.82	
10853	-780.58	-82.41	23.05	-125.43	35.21	-145.81	40.93	-196.73	53.67	-288.81	53.06	-273.32	66.04	-251.00	59.86	
10855	174.33	-114.32	133.41	-174.79	203.75	-203.93	237.79	-279.53	323.02	-437.26	311.00	-392.41	377.71	-358.93	354.91	
10861	329.98	-216.39	252.53	-330.85	385.67	-386.01	450.10	-529.11	611.43	-827.66	588.67	-742.77	714.95	-679.40	671.80	
10862	659.41	-28.78	85.88	-43.92	130.61	-51.12	151.80	-68.18	204.91	-66.62	289.45	-80.99	272.96	-73.97	251.99	
10863	-801.65	-96.37	29.07	-146.63	44.38	-170.49	51.65	-231.34	68.88	-329.13	67.30	-312.11	81.81	-288.20	74.70	
10865	869.52	-164.59	238.74	-251.73	364.65	-293.42	425.54	-400.67	578.11	-606.45	556.54	-553.21	676.38	-510.91	635.70	
10871	272.38	-51.56	74.79	-78.86	114.23	-91.91	133.30	-125.51	181.09	-189.97	174.34	-173.29	211.88	-160.04	199.14	
10872	549.18	-39.65	90.36	-60.62	137.39	-70.69	159.63	-96.06	215.80	-92.45	313.02	-112.45	292.96	-105.37	269.40	
10873	-706.20	-102.82	40.31	-156.43	61.64	-181.88	71.88	-246.56	97.67	-356.35	94.00	-330.24	114.33	-309.57	107.13	
10875	699.87	-61.18	116.46	-93.55	177.91	-108.96	207.59	-147.93	282.06	-214.09	295.02	-198.85	330.25	-185.60	310.48	
10881	1269.76	-111.00	211.30	-169.73	322.77	-197.68	376.63	-268.39	511.73	-388.43	535.25	-360.77	599.18	-336.73	563.30	
10882	465.21	-69.18	110.54	-105.77	168.03	-123.34	195.35	-167.59	263.67	-161.30	380.84	-196.26	353.11	-183.91	329.25	
10883	-546.73	-107.80	60.19	-163.84	92.03	-190.33	107.32	-257.09	145.82	-367.82	140.35	-346.61	170.77	-320.91	160.03	
10885	1495.71	-64.78	178.43	-98.80	272.60	-115.06	318.06	-154.21	432.21	-210.34	528.61	-206.27	544.07	-188.63	498.61	
10891	608.43	-26.35	72.58	-40.19	110.89	-46.80	129.38	-62.73	175.81	-85.56	215.03	-83.90	221.31	-76.73	202.83	
10892	253.64	-76.23	100.58	-116.55	152.70	-135.92	177.57	-184.67	237.72	-177.74	331.71	-216.30	320.32	-202.72	292.32	
10893	-360.93	-97.31	64.25	-147.81	98.24	-171.72	114.56	-230.12	155.67	-316.85	149.82	-309.84	182.29	-283.33	170.83	
10895	615.52	-10.96	57.41	-16.62	87.72	-19.34	102.35	-25.60	139.17	-32.60	196.80	-42.17	188.10	-37.86	170.90	
10901	1594.76	-28.40	148.76	-43.07	227.28	-50.12	265.18	-66.32	360.58	-84.46	509.89	-109.26	487.36	-98.08	442.78	
10902	-66.00	-88.22	88.87	-134.88	134.84	-157.29	156.87	-213.72	208.11	-205.69	278.17	-250.29	281.08	-234.58	255.81	
10903	289.42	-99.05	143.97	-151.41	219.96	-176.20	256.24	-236.96	345.23	-282.80	335.01	-306.61	405.09	-277.89	379.44	
10904	-406.83	-67.38	56.12	-102.90	85.07	-119.75	96.89	-159.29	93.87	-169.42	119.85	-191.51	82.23	-175.55	64.27	
10905	1708.94	-13.56	148.10	-20.73	226.46	-24.12	263.90	-32.65	358.44	-31.53	535.74	-72.16	512.34	-59.96	459.05	
10911	657.28	-5.21	56.96	-7.97	87.10	-9.28	101.50	-12.56	137.86	-12.13	206.05	-27.75	197.06	-23.06	176.56	
10913	-148.08	-75.53	25.43	-114.35	38.69	-131.96	45.05	-148.42	58.24	-168.56	58.95	-145.17	69.21	-109.28	62.06	
10914	21.82	-30.76	64.43	-46.76	97.65	-54.40	111.76	-70.47	114.91	-71.11	139.57	-85.66	102.84	-77.58	82.26	
10915	955.37	-8.03	90.23	-12.28	138.06	-14.29	160.68	-19.24	217.28	-18.68	305.48	-39.87	296.70	-32.83	266.08	
10921	798.44	-6.71	75.41	-10.26	115.38	-11.94	134.29	-16.08	181.59	-15.61	255.30	-33.32	247.96	-27.44	222.37	
10923	-371.48	-81.80	6.71	-123.85	10.20	-142.96	11.77	-162.46	13.52	-182.78	15.03	-189.44	17.31	-158.58	14.20	
10924	280.50	-5.64	70.20	-8.55	106.35	-9.86	122.05	-10.40	127.71	-12.46	153.24	-14.18	153.61	-12.33	129.31	
10925	543.19	-4.96	56.36	-7.57	86.11	-8.82	100.30	-11.78	134.42	-11.53	177.68	-22.43	176.27	-18.41	157.02	
10931	686.45	-6.27	71.22	-9.57	108.82	-11.15	126.75	-14.88	169.88	-14.57	224.54	-28.34	222.75	-23.26	198.44	
10933	-506.32	-81.11	7.39	-122.77	11.17	-141.90	12.99	-163.11	14.86	-211.13	16.63	-217.85	25.38	-188.32	21.62	
10934	503.06	-6.97	79.69	-10.63	120.74	-12.17	138.72	-12.85	147.95	-15.33	204.80	-21.15	197.14	-19.62	172.57	
10935	531.22	-5.40	61.07	-8.20	93.06	-9.60	108.42	-12.69	143.12	-12.53	177.98	-23.08	186.02	-18.09	165.01	
10941	892.81	-9.08	102.64	-13.79	156.41	-16.13	182.22	-21.34	240.54	-21.06	299.13	-38.80	312.64	-30.40	277.33	
10943	-509.99	-60.88	5.29	-92.12	7.98	-107.04	9.32	-134.56	11.21	-190.91	11.99	-178.57	20.58	-162.92	18.28	
10944	643.50	-6.94	78.77	-10.45	119.18	-12.20	138.16	-15.88	179.53	-15.77	241.40	-29.11	238.63	-23.25	205.76	
10945	383.86	-4.27	48.89	-6.46	73.92	-7.56	86.52	-10.04	113.78	-9.83	131.33	-17.82	145.65	-14.26	131.28	
10951	532.28	-5.93	67.80	-8.96	102.51	-10.48	119.98	-13.92	157.77	-13.64	182.11	-24.71	201.97	-19.78	182.04	
10953	-529.45	-62.35	5.47	-94.48	8.27	-110.67	9.68	-147.99	12.98	-198.66	12.61	-196.22	23.93	-170.18	19.04	
10954	699.84	-7.81	88.96	-11.81	134.51	-13.81	157.43	-18.34	207.02	-17.97	263.38	-32.52	265.00	-26.05	238.88	
10955	0.01	0.05	0.05	0.05	0.05	0.05	0.05	0.05	0.05	0.05	0.05	0.05	0.05	0.05	0.05	
10961	0.02	0.05	0.05	0.05	0.05	0.05	0.05	0.05	0.05	0.05	0.05	0.05	0.05	0.05	0.05	
10963	-649.47	-89.32	7.83	-135.04	11.84	-158.04	13.84	-207.76	18.38	-264.30	18.01	-265.99	32.61	-239.71	26.10	

2012 SOUTH TRUSS FORCES BASED ON 3D MODEL STAAD OUTPUT

TRUSS MEMBER ENVELOPE FORCES TRANSFERRED TO GUSSET PLATE (KIPS)															
Member	Dead	2F1		3F1		4F1		5C1		(HS20-44)		HS-20 Truck Train		5C1 Truck Train	
		Compr.	Tens.	Compr.	Tens.	Compr.	Tens.	Compr.	Tens.	Compr.	Tens.	Compr.	Tens.	Compr.	Tens.
10964	523.06	-7.09	79.74	-10.67	120.59	-12.52	140.72	-16.22	181.22	-16.23	218.42	-25.89	224.11	-22.13	202.22
10965	-590.28	-90.22	7.99	-136.44	12.01	-159.20	14.10	-204.93	18.22	-222.02	18.27	-253.38	29.02	-228.61	24.81
10971	-318.08	-48.61	4.30	-73.52	6.47	-85.79	7.60	-110.43	9.82	-119.64	9.85	-136.53	15.64	-123.19	13.37
10973	-512.82	-80.53	7.17	-121.78	10.79	-142.12	12.66	-183.02	16.41	-220.62	16.41	-226.36	26.19	-204.26	22.40
10974	606.18	-15.21	107.30	-21.60	161.98	-24.34	188.69	-26.99	236.90	-29.47	265.44	-34.74	287.27	-27.96	248.73
10975	-604.62	-91.38	8.28	-139.31	12.60	-161.80	14.65	-207.36	18.80	-226.62	19.01	-248.88	28.34	-224.97	24.85
10981	-524.01	-79.19	7.17	-120.73	10.92	-140.22	12.70	-179.71	16.29	-196.40	16.48	-215.69	24.56	-194.98	21.53
10983	-374.18	-69.31	10.43	-104.62	14.81	-121.89	16.66	-153.05	18.16	-171.08	19.92	-185.61	23.07	-160.60	18.55
10984	394.40	-28.69	90.36	-42.15	135.99	-46.95	158.23	-41.01	191.58	-58.17	205.18	-48.40	229.36	-32.78	185.39
10985	-648.12	-96.76	8.86	-147.71	13.55	-171.26	15.70	-218.97	20.53	-241.38	20.38	-258.26	29.89	-237.94	26.83
10991	-712.77	-106.41	9.74	-162.44	14.90	-188.34	17.27	-240.81	22.58	-265.45	22.42	-284.02	32.87	-261.68	29.51
10993	-226.28	-56.42	19.53	-84.88	28.67	-98.80	31.91	-119.65	27.42	-128.11	39.48	-143.29	32.01	-115.34	21.59
10994	156.77	-47.25	73.32	-70.54	109.83	-80.12	127.42	-80.83	145.47	-101.94	163.98	-74.56	169.54	-56.03	118.96
10995	-746.80	-111.51	11.05	-169.94	16.89	-197.41	19.61	-246.01	25.39	-278.83	25.31	-296.33	38.73	-261.68	31.79
11001	-1478.04	-220.70	21.87	-336.34	33.43	-390.70	38.80	-486.90	50.25	-551.86	50.09	-586.50	76.65	-517.91	62.93
11003	-128.07	-74.08	5.48	-110.59	8.17	-122.79	9.16	-106.68	8.11	-133.91	10.05	-134.32	10.08	-85.29	3.28
11005	-1478.09	-220.73	21.87	-336.39	33.42	-390.75	38.79	-486.92	50.23	-551.90	50.07	-586.56	76.64	-517.93	62.92
11011	-746.82	-111.53	11.05	-169.96	16.89	-197.43	19.60	-246.02	25.38	-278.85	25.30	-296.37	38.72	-261.69	31.79
11012	92.73	-54.32	66.15	-80.67	99.36	-93.40	113.78	-95.92	129.71	-118.78	146.67	-87.13	141.54	-70.58	99.63
11013	-184.50	-51.39	23.40	-77.58	34.27	-89.34	39.26	-108.08	33.28	-115.98	48.61	-125.68	31.54	-98.66	21.45
11015	-738.61	-111.37	12.44	-170.01	18.95	-197.24	22.04	-250.91	28.18	-278.16	28.42	-298.00	41.24	-271.16	34.94
11021	-703.10	-106.02	11.84	-161.84	18.04	-187.76	20.98	-238.84	26.82	-264.79	27.06	-283.67	39.26	-258.12	33.26
11022	358.48	-33.66	87.12	-48.98	131.49	-56.48	151.42	-48.32	183.52	-69.92	196.59	-46.16	213.85	-31.31	169.31
11023	-351.79	-66.17	11.38	-100.12	16.58	-115.65	17.99	-145.51	20.33	-157.11	21.97	-174.16	20.31	-149.51	15.32
11025	-613.40	-95.54	13.54	-145.61	20.51	-168.96	23.86	-216.52	30.08	-236.94	30.59	-257.56	41.45	-234.76	37.65
11031	-612.33	-95.38	13.52	-145.36	20.48	-168.66	23.81	-216.14	30.03	-236.52	30.54	-257.11	41.38	-234.35	37.59
11032	590.98	-17.37	105.46	-25.36	159.57	-27.44	184.31	-31.37	231.97	-33.81	251.17	-31.64	277.76	-23.89	238.65
11033	-495.35	-77.25	6.18	-117.12	9.32	-135.63	10.80	-175.10	13.95	-207.62	14.14	-214.01	20.33	-194.22	17.64
11035	-360.22	-60.63	13.44	-91.67	20.33	-106.46	23.64	-135.75	30.35	-147.61	30.43	-165.25	41.09	-150.70	35.92
11041	-661.56	-111.36	24.68	-168.36	37.34	-195.52	43.42	-249.30	55.73	-271.09	55.89	-303.49	75.46	-276.76	65.97
11042	635.58	-7.67	95.93	-11.56	145.45	-13.39	168.43	-17.30	217.45	-17.53	257.87	-25.26	265.81	-21.91	241.23
11043	-640.38	-83.74	6.27	-127.22	9.41	-147.57	10.89	-193.69	14.57	-244.01	14.27	-246.76	25.86	-222.26	20.30
11045	-42.49	-27.39	23.67	-41.75	36.08	-48.59	41.93	-63.65	54.27	-65.85	54.07	-79.88	67.22	-70.25	58.30
11051	-24.46	-15.77	13.63	-24.04	20.77	-27.98	24.14	-36.65	31.25	-37.91	31.13	-45.99	38.70	-40.45	33.57
11052	702.11	-6.03	87.86	-9.05	133.52	-10.48	154.93	-13.82	203.77	-13.70	257.12	-26.03	259.70	-19.87	233.71
11053	-465.01	-53.56	3.86	-81.53	5.83	-94.82	6.77	-127.35	9.17	-170.89	8.84	-169.53	18.35	-146.05	14.14
11055	559.01	-20.33	68.79	-30.54	104.96	-35.55	122.28	-44.92	163.85	-46.01	175.26	-45.32	200.69	-40.41	179.36
11061	292.64	-10.64	36.01	-15.99	54.95	-18.61	64.01	-23.51	85.78	-24.09	91.75	-23.73	105.06	-21.15	93.90
11062	623.80	-5.51	76.88	-8.38	115.45	-9.69	133.81	-12.47	172.52	-12.15	231.51	-24.59	229.95	-18.90	196.40
11063	-470.42	-57.56	4.19	-86.84	6.34	-100.46	7.37	-124.63	8.70	-175.09	9.29	-160.65	17.68	-146.72	14.32
11065	775.64	-13.35	85.66	-20.10	130.34	-23.41	151.69	-29.48	203.77	-30.33	242.44	-33.94	252.76	-30.09	225.13
11071	498.96	-8.59	55.10	-12.93	83.85	-15.06	97.58	-18.97	131.08	-19.51	155.96	-21.84	162.60	-19.35	144.82
11072	544.24	-5.86	82.19	-8.99	123.69	-10.33	142.51	-10.82	154.71	-12.73	212.86	-20.56	198.15	-16.50	175.54
11073	-543.30	-82.33	6.33	-123.68	9.61	-143.35	11.16	-167.28	12.81	-217.63	14.01	-222.42	21.59	-194.32	18.54
11075	912.21	-10.69	91.04	-16.20	138.59	-18.65	161.74	-24.05	217.87	-24.30	280.35	-30.93	274.05	-27.11	247.98
11081	924.38	-10.84	92.25	-16.42	140.44	-18.90	163.89	-24.37	220.78	-24.62	284.08	-31.35	277.70	-27.47	251.29
11082	283.59	-5.42	72.31	-8.33	109.03	-9.57	125.14	-9.92	131.21	-11.79	155.29	-11.96	155.73	-10.68	131.90
11083	-353.13	-79.19	6.69	-118.94	10.16	-137.77	11.80	-157.13	13.62	-175.01	14.83	-182.36	16.66	-148.24	14.06
11085	771.03	-7.24	70.03	-10.99	106.87	-12.65	124.69	-16.18	168.96	-17.93	232.22	-23.82	220.60	-22.10	201.43
11091	761.87	-7.16	69.19	-10.85	105.60	-12.50	123.21	-15.99	166.95	-17.72	229.47	-23.54	217.98	-21.84	199.04
11092	-160.54	-46.24	61.09	-70.14	92.27	-81.70	105.20	-107.56	101.53	-106.65	128.72	-136.54	90.41	-123.19	70.69
11093	-28.47	-75.31	36.85	-113.36	55.88	-130.66	64.99	-144.05	84.57	-164.08	84.62	-120.93	106.91	-96.99	96.39
11095	446.88	-3.86	37.05	-5.85	56.62	-6.86	66.06	-9.87	89.97	-11.14	131.17	-14.50	122.70	-13.01	111.82
11101	1111.68	-9.61	92.16	-14.55	140.86	-17.05	164.34	-24.56	223.81	-27.72	326.30	-36.07	305.24	-32.36	278.17
11102	-400.69	-67.95	57.29	-103.58	86.54	-120.64	98.74	-160.68	95.93	-175.21	121.03	-201.15	87.41	-182.78	68.68

2012 SOUTH TRUSS FORCES BASED ON 3D MODEL STAAD OUTPUT

TRUSS MEMBER ENVELOPE FORCES TRANSFERRED TO GUSSET PLATE (KIPS)															
Member	Dead	2F1		3F1		4F1		5C1		(HS20-44)		HS-20 Truck Train		5C1 Truck Train	
		Compr.	Tens.	Compr.	Tens.	Compr.	Tens.	Compr.	Tens.	Compr.	Tens.	Compr.	Tens.	Compr.	Tens.
11103	-132.23	-99.50	136.49	-151.95	208.54	-176.78	242.84	-237.04	327.10	-298.96	316.88	-308.53	387.99	-282.86	361.90
11104	194.63	-84.84	89.38	-129.59	135.94	-151.17	157.86	-205.53	210.53	-197.61	297.38	-240.64	290.77	-225.70	268.86
11105	926.17	-22.92	88.28	-34.99	134.97	-40.65	157.48	-54.25	214.69	-66.53	291.28	-73.87	289.00	-67.40	266.63
11111	611.98	-15.15	58.33	-23.12	89.18	-26.86	104.06	-35.85	141.86	-43.96	192.47	-48.81	190.96	-44.53	176.18
11113	-541.36	-93.66	59.74	-142.53	91.25	-165.47	106.45	-220.50	144.77	-311.80	139.17	-299.39	169.51	-275.13	159.00
11114	451.32	-74.73	96.93	-114.15	147.61	-133.15	171.61	-181.03	230.46	-174.06	336.07	-211.97	310.48	-198.81	291.54
11115	525.24	-27.29	68.27	-41.62	104.39	-48.57	121.78	-66.19	165.79	-86.94	194.07	-89.24	210.97	-82.90	194.17
11121	1354.88	-70.39	176.10	-107.36	269.28	-125.29	314.14	-170.75	427.65	-224.27	500.60	-230.20	544.21	-213.83	500.86
11123	-704.03	-95.57	49.80	-145.65	76.07	-169.23	88.74	-227.11	120.69	-327.13	116.01	-306.05	141.33	-287.15	132.57
11124	488.24	-43.61	73.31	-66.62	111.81	-77.71	129.98	-105.68	175.21	-101.59	256.97	-123.76	233.17	-116.08	222.85
11125	1023.99	-108.84	204.91	-165.91	313.29	-193.46	365.44	-265.88	497.23	-389.85	495.25	-362.77	585.96	-343.61	549.65
11131	470.60	-50.02	94.17	-76.25	143.98	-88.91	167.95	-122.19	228.51	-179.17	227.61	-166.72	269.29	-157.91	252.60
11133	-829.15	-90.06	31.03	-137.55	47.41	-159.83	55.31	-214.92	75.28	-310.77	72.32	-284.82	88.20	-272.26	82.78
11134	715.41	-31.35	81.26	-47.90	124.08	-55.87	144.16	-76.06	193.61	-73.06	279.42	-89.10	264.40	-83.63	244.06
11135	205.37	-58.78	87.12	-89.68	133.20	-104.65	155.36	-143.43	211.35	-221.62	203.18	-200.06	248.97	-186.27	233.53
11141	531.40	-152.10	225.41	-232.06	344.64	-270.78	402.00	-371.13	546.86	-573.44	525.72	-517.65	644.20	-481.97	604.26
11143	-883.78	-79.88	10.99	-122.00	16.68	-141.61	19.33	-188.85	25.83	-281.75	25.33	-263.77	43.39	-236.94	37.84
11144	785.19	-10.38	73.46	-15.86	112.18	-18.55	130.27	-25.63	173.72	-24.38	250.75	-36.91	229.24	-33.66	207.75
11145	-54.95	-189.05	231.35	-288.54	353.74	-336.79	412.60	-463.74	561.19	-738.49	539.56	-656.49	660.92	-605.74	619.91
11151	-24.31	-83.62	102.33	-127.63	156.46	-148.97	182.50	-205.12	248.22	-326.64	238.65	-290.37	292.33	-267.92	274.19
11153	-813.86	-67.16	12.69	-102.52	19.29	-118.98	22.32	-159.47	28.45	-257.52	29.09	-239.80	40.52	-214.36	34.29
11154	735.74	-14.40	63.21	-21.84	96.44	-25.29	111.90	-32.41	149.31	-33.09	229.63	-35.61	208.45	-30.80	192.29
11155	-269.18	-91.58	95.33	-139.73	145.77	-163.20	170.02	-224.50	231.22	-367.40	222.33	-319.05	272.26	-297.00	255.36
11161	-624.00	-212.29	221.00	-323.93	337.92	-378.33	394.14	-520.43	536.02	-851.71	515.39	-739.61	631.16	-688.49	591.98
11163	-464.67	-35.03	13.48	-53.41	20.44	-62.08	23.67	-83.02	30.30	-152.65	30.99	-122.43	32.30	-112.30	29.06
11164	641.06	-23.53	50.20	-35.61	76.46	-41.21	89.00	-52.74	118.29	-53.98	207.25	-51.97	178.08	-44.92	144.79
11165	-1109.41	-204.18	183.06	-311.75	279.92	-364.18	326.48	-499.69	443.96	-925.46	431.73	-716.43	522.68	-663.74	490.22
11171	-452.47	-83.27	74.66	-127.14	114.16	-148.53	133.15	-203.80	181.07	-377.44	176.08	-292.19	213.17	-270.70	199.93
11173	-410.80	-33.18	17.24	-50.54	26.10	-58.85	30.21	-78.19	38.71	-139.54	39.58	-119.11	38.74	-96.55	33.67
11174	595.85	-33.78	54.87	-51.17	83.56	-59.16	97.19	-76.16	127.81	-77.54	209.83	-68.83	177.85	-57.79	141.47
11175	-803.29	-114.07	88.97	-174.26	136.05	-203.44	158.68	-278.95	215.76	-522.12	209.43	-397.94	253.96	-368.93	238.18
11181	-1492.47	-211.94	165.31	-323.76	252.77	-377.97	294.82	-518.27	400.87	-970.08	389.12	-739.35	471.85	-685.45	442.53
11183	-101.94	-55.90	9.94	-82.50	14.68	-91.22	16.21	-79.44	13.91	-99.22	17.87	-99.79	17.72	-79.41	6.56
11185	-1492.57	-212.15	165.48	-324.09	253.03	-378.35	295.12	-518.77	401.27	-970.11	389.12	-740.11	472.33	-686.15	442.98
11191	-831.03	-118.12	92.13	-180.45	140.88	-210.66	164.32	-288.84	223.42	-540.14	216.65	-412.07	262.98	-382.03	246.64
11192	-386.41	-48.42	42.35	-73.73	64.05	-85.75	74.36	-111.88	96.78	-147.22	97.19	-131.94	79.98	-127.48	79.45
11193	187.10	-35.59	33.19	-53.86	50.49	-62.56	58.50	-82.07	74.84	-81.85	78.58	-83.50	87.42	-76.43	72.45
11195	-911.68	-110.01	75.31	-168.12	115.15	-196.18	134.31	-268.85	182.60	-493.16	177.05	-379.88	214.88	-353.58	201.52
11201	-1747.40	-210.86	144.34	-322.23	220.71	-376.01	257.42	-515.29	349.98	-945.23	339.34	-728.11	411.85	-677.70	386.25
11202	-120.32	-41.59	55.03	-63.52	83.34	-73.52	96.88	-96.28	127.30	-96.09	137.60	-110.06	140.83	-101.52	129.28
11203	-16.09	-46.87	29.48	-71.09	45.13	-82.58	52.49	-109.01	69.68	-133.98	72.39	-113.02	82.08	-119.93	76.99
11205	-1826.29	-197.98	119.18	-302.57	182.24	-353.11	212.54	-484.01	288.93	-863.06	280.17	-676.46	339.92	-628.20	318.78
11211	-975.69	-105.77	63.67	-161.65	97.36	-188.65	113.55	-258.58	154.36	-461.09	149.68	-361.39	181.60	-335.61	170.30
11212	176.57	-42.27	69.18	-64.63	105.07	-75.39	122.04	-102.52	162.05	-106.27	222.65	-120.71	180.81	-113.22	184.76
11213	-257.61	-60.22	32.75	-91.63	50.07	-106.45	58.40	-142.31	79.43	-202.54	82.35	-181.31	93.53	-167.89	87.72
11215	-855.67	-86.23	45.74	-131.79	69.94	-153.77	81.56	-210.61	110.87	-363.87	107.40	-293.05	130.40	-268.33	122.28
11221	-1711.35	-172.46	91.47	-263.59	139.88	-307.53	163.13	-421.22	221.74	-727.74	214.79	-586.11	260.80	-536.67	244.57
11222	462.09	-43.83	81.37	-67.02	123.91	-78.17	143.93	-106.28	192.54	-109.94	289.76	-125.08	250.89	-117.30	229.69
11223	-490.82	-73.99	34.86	-112.59	53.30	-130.67	62.16	-174.39	84.52	-261.84	87.44	-229.23	99.47	-210.69	93.29
11225	-1422.45	-137.39	63.96	-209.82	97.80	-244.62	114.05	-333.23	155.00	-556.49	149.99	-456.26	182.27	-424.60	170.91
11231	-620.21	-59.91	27.89	-91.48	42.64	-106.66	49.73	-145.29	67.58	-242.64	65.40	-198.94	79.47	-185.13	74.52
11232	669.53	-41.49	88.77	-63.44	135.02	-73.99	156.67	-100.58	209.22	-103.85	323.74	-118.31	278.00	-110.95	254.23
11233	-675.35	-82.73	33.69	-125.81	51.52	-145.94	60.09	-194.29	81.68	-295.95	84.34	-248.19	96.08	-238.51	90.11
11235	-403.39	-38.13	15.61	-58.06	23.84	-67.68	27.80	-91.41	37.77	-147.26	36.38	-123.20	44.24	-116.06	41.48
11241	-1035.02	-97.83	40.05	-148.98	61.18	-173.66	71.34	-234.55	96.92	-377.85	93.34	-316.10	113.52	-297.78	106.44

2012 SOUTH TRUSS FORCES BASED ON 3D MODEL STAAD OUTPUT

TRUSS MEMBER ENVELOPE FORCES TRANSFERRED TO GUSSET PLATE (KIPS)															
Member	Dead	2F1		3F1		4F1		5C1		(HS20-44)		HS-20 Truck Train		5C1 Truck Train	
		Compr.	Tens.	Compr.	Tens.	Compr.	Tens.	Compr.	Tens.	Compr.	Tens.	Compr.	Tens.	Compr.	Tens.
11242	658.05	-30.27	74.09	-46.25	112.67	-53.93	130.70	-73.30	174.32	-75.55	271.60	-86.19	225.29	-80.82	215.61
11243	-834.42	-90.19	31.83	-136.98	48.64	-158.81	56.71	-210.58	77.08	-321.95	79.45	-282.39	90.64	-261.37	84.99
11245	-625.68	-59.21	21.13	-89.92	32.28	-104.58	37.64	-138.88	51.15	-215.57	49.20	-192.03	59.88	-176.09	56.15
11251	-424.19	-40.14	14.33	-60.97	21.88	-70.90	25.52	-94.15	34.68	-146.15	33.35	-130.19	40.60	-119.38	38.07
11252	603.64	-22.09	62.33	-33.74	94.65	-39.35	109.76	-53.47	145.56	-54.63	224.08	-62.59	195.84	-58.69	181.14
11253	-866.25	-87.93	26.55	-133.54	40.55	-154.70	47.29	-203.58	64.25	-307.24	65.79	-280.19	75.22	-252.91	70.53
11255	-170.52	-16.07	5.02	-24.41	7.66	-28.27	8.93	-37.29	12.14	-55.29	11.68	-52.21	14.22	-47.12	13.33
11261	-255.78	-24.11	7.52	-36.61	11.49	-42.40	13.40	-55.93	18.21	-82.93	17.51	-78.32	21.32	-70.68	20.00
11262	847.13	-24.87	80.19	-37.99	121.78	-44.30	141.05	-60.22	186.07	-61.12	287.53	-70.51	259.31	-66.12	234.21
11263	-910.85	-98.54	24.17	-152.90	36.92	-176.22	43.07	-237.45	58.58	-314.79	59.46	-325.02	68.71	-292.63	64.42
11273	-646.32	-105.76	3.35	-159.65	5.12	-181.19	6.00	-255.15	8.39	-275.20	10.56	N/A	N/A	N/A	N/A
11274	629.93	-3.99	106.48	-6.10	160.39	-7.13	181.70	-9.63	230.75	-11.07	267.14	N/A	N/A	N/A	N/A
11275	-333.74	-56.45	2.13	-85.00	3.23	-96.27	3.77	-122.08	5.08	-127.57	5.21	N/A	N/A	N/A	N/A
11281	-333.74	-56.45	2.13	-85.00	3.23	-96.27	3.77	-122.08	5.08	-127.57	5.21	N/A	N/A	N/A	N/A
11283	-529.86	-91.60	3.44	-137.97	5.25	-156.31	6.14	-198.50	8.29	-229.81	9.53	N/A	N/A	N/A	N/A
11284	483.83	-10.85	92.90	-15.39	139.72	-16.29	158.28	-16.49	196.71	-19.78	214.45	N/A	N/A	N/A	N/A
11285	-610.73	-99.19	4.36	-149.18	6.59	-169.66	7.64	-217.50	9.70	-227.89	10.01	N/A	N/A	N/A	N/A
11291	-271.44	-44.08	1.94	-66.30	2.93	-75.41	3.39	-96.67	4.31	-101.28	4.45	N/A	N/A	N/A	N/A
11293	-376.81	-75.66	9.64	-113.80	13.65	-129.13	14.41	-160.27	14.53	-174.33	17.49	N/A	N/A	N/A	N/A
11294	296.33	-24.31	75.86	-35.74	113.78	-39.26	129.04	-31.29	154.13	-49.10	169.09	N/A	N/A	N/A	N/A
11295	-427.66	-67.20	3.24	-101.52	4.87	-116.37	5.65	-147.67	7.00	-158.20	7.29	N/A	N/A	N/A	N/A
11301	-784.05	-123.20	5.94	-186.12	8.93	-213.34	10.37	-270.72	12.83	-290.03	13.37	N/A	N/A	N/A	N/A
11303	-227.45	-61.68	19.83	-92.52	29.15	-104.93	32.02	-125.32	25.52	-137.48	40.04	N/A	N/A	N/A	N/A
11304	110.12	-38.07	60.55	-56.84	90.40	-63.62	101.83	-64.63	113.81	-82.27	132.70	N/A	N/A	N/A	N/A
11305	-849.18	-131.29	6.53	-198.74	9.88	-228.04	11.42	-286.82	13.75	-313.15	14.73	N/A	N/A	N/A	N/A
11311	-370.55	-57.29	2.85	-86.72	4.31	-99.51	4.98	-125.16	6.00	-136.65	6.43	N/A	N/A	N/A	N/A
11313	-132.58	-77.89	4.02	-114.00	5.91	-123.89	6.47	-110.40	5.72	-137.37	7.10	N/A	N/A	N/A	N/A
11315	-370.59	-57.29	2.85	-86.72	4.31	-99.51	4.99	-125.15	6.00	-136.64	6.43	N/A	N/A	N/A	N/A
11321	-849.27	-131.29	6.53	-198.73	9.88	-228.04	11.42	-286.81	13.75	-313.14	14.73	N/A	N/A	N/A	N/A
11322	92.90	-42.38	53.76	-62.72	80.81	-69.75	91.26	-67.69	105.87	-89.90	119.55	N/A	N/A	N/A	N/A
11323	-208.72	-53.85	21.25	-81.23	30.79	-92.53	33.46	-114.04	26.03	-121.61	41.64	N/A	N/A	N/A	N/A
11325	-792.65	-122.47	6.00	-184.55	9.05	-212.10	10.46	-272.74	13.15	-291.84	13.69	N/A	N/A	N/A	N/A
11331	-417.19	-64.46	3.16	-97.13	4.76	-111.63	5.51	-143.55	6.92	-153.60	7.21	N/A	N/A	N/A	N/A
11332	282.60	-26.97	68.55	-39.08	103.41	-42.47	117.79	-33.04	145.18	-52.85	154.81	N/A	N/A	N/A	N/A
11333	-357.77	-66.55	9.13	-100.63	12.55	-114.70	13.24	-146.63	13.79	-160.84	15.85	N/A	N/A	N/A	N/A
11335	-277.35	-43.10	1.95	-65.12	2.97	-74.15	3.45	-96.19	4.46	-102.27	4.66	N/A	N/A	N/A	N/A
11341	-617.74	-96.01	4.35	-145.03	6.61	-165.15	7.69	-214.24	9.93	-227.79	10.38	N/A	N/A	N/A	N/A
11342	482.45	-11.05	85.93	-15.23	129.91	-16.10	148.01	-16.85	189.26	-19.32	207.98	N/A	N/A	N/A	N/A
11343	-505.69	-80.73	3.18	-122.24	4.86	-139.04	5.69	-181.93	7.90	-212.45	9.20	N/A	N/A	N/A	N/A
11345	-315.00	-49.34	1.94	-74.71	2.96	-84.97	3.47	-111.17	4.80	-116.34	5.09	N/A	N/A	N/A	N/A
11351	-315.00	-49.34	1.94	-74.71	2.96	-84.97	3.47	-111.17	4.80	-116.34	5.09	N/A	N/A	N/A	N/A
11352	601.67	-3.68	93.68	-5.63	141.86	-6.60	161.36	-9.15	211.12	-10.66	246.53	N/A	N/A	N/A	N/A
11353	-597.75	-95.23	3.20	-144.74	4.90	-165.56	5.74	-220.46	8.08	-255.08	10.00	N/A	N/A	N/A	N/A
20003	-512.60	-91.51	8.81	-136.83	12.87	-156.46	14.31	-204.46	16.22	-216.91	18.38	-243.68	20.88	-217.80	16.56
20005	2.23	-45.93	45.88	-70.18	70.10	-82.15	82.05	-116.27	116.16	-117.66	110.04	-152.06	151.92	-119.68	119.53
20011	2.23	-45.93	45.88	-70.18	70.10	-82.15	82.05	-116.27	116.16	-117.66	110.04	-152.06	151.92	-119.68	119.53
20012	533.09	-8.27	95.54	-12.03	142.72	-13.68	163.24	-14.46	205.38	-17.09	228.60	-15.99	241.44	-12.73	211.75
20013	-494.78	-91.50	6.90	-136.77	10.12	-156.23	11.51	-197.39	12.70	-220.61	14.52	-234.78	17.44	-206.08	13.77
20015	332.20	-34.64	65.84	-52.58	98.13	-61.07	113.74	-79.51	139.43	-79.94	144.75	-95.48	176.09	-64.84	138.11
20021	197.53	-20.59	39.15	-31.26	58.35	-36.31	67.63	-47.28	82.91	-47.53	86.07	-56.77	104.70	-38.55	82.12
20022	509.80	-7.55	103.33	-11.00	153.67	-12.45	175.70	-12.98	213.16	-15.55	229.57	-15.17	246.47	-12.31	215.20
20023	-391.38	-84.05	6.59	-125.07	9.52	-142.57	10.51	-173.96	11.31	-186.02	13.16	-203.24	14.90	-176.42	11.87
20025	409.13	-19.17	69.95	-28.60	104.85	-32.97	121.26	-38.74	148.71	-41.68	154.52	-39.83	178.62	-35.10	150.37
20031	332.85	-15.60	56.91	-23.26	85.31	-26.83	98.65	-31.52	120.99	-33.91	125.71	-32.41	145.32	-28.55	122.34
20032	397.94	-10.90	101.10	-15.97	149.26	-17.97	170.31	-16.86	194.09	-22.52	216.81	-16.97	218.30	-15.07	194.41

2012 SOUTH TRUSS FORCES BASED ON 3D MODEL STAAD OUTPUT

Member	TRUSS MEMBER ENVELOPE FORCES TRANSFERRED TO GUSSET PLATE (KIPS)														
	Dead	2F1		3F1		4F1		5C1		(HS20-44)		HS-20 Truck Train		5C1 Truck Train	
		Compr.	Tens.	Compr.	Tens.	Compr.	Tens.	Compr.	Tens.	Compr.	Tens.	Compr.	Tens.	Compr.	Tens.
20033	-235.35	-70.49	13.68	-104.06	20.03	-118.18	22.35	-135.79	19.92	-151.22	28.04	-153.62	20.73	-136.20	15.38
20035	476.21	-14.05	80.05	-20.68	120.89	-23.58	139.10	-26.79	169.72	-29.88	177.29	-29.19	199.58	-25.41	174.44
20041	480.49	-14.18	80.77	-20.87	121.97	-23.79	140.35	-27.03	171.24	-30.14	178.88	-29.46	201.37	-25.63	176.01
20042	182.23	-31.70	85.07	-47.02	124.03	-53.21	140.40	-53.38	143.46	-67.91	175.39	-44.50	164.74	-35.79	142.64
20043	-5.78	-43.16	35.10	-63.06	52.10	-70.12	58.95	-73.59	59.57	-89.59	75.34	-77.42	61.97	-71.44	48.15
20045	527.33	-11.58	89.08	-17.04	133.55	-19.13	155.16	-21.82	189.49	-24.63	198.70	-24.11	220.21	-20.82	192.95
20051	626.53	-13.75	105.84	-20.25	158.68	-22.73	184.35	-25.92	225.13	-29.26	236.08	-28.65	261.64	-24.74	229.24
20052	-207.35	-78.53	48.54	-117.49	69.10	-134.22	74.68	-151.47	63.64	-173.30	92.61	-169.20	57.58	-143.43	39.33
20053	-124.44	-78.06	5.93	-114.27	8.69	-124.59	9.49	-107.20	8.24	-136.17	10.44	-135.63	10.32	-107.10	8.14
20054	505.25	-18.55	108.94	-25.34	163.74	-25.97	188.01	-26.17	225.77	-32.39	244.37	-26.11	264.10	-20.54	223.96
20055	298.16	-4.63	52.23	-6.82	78.75	-7.67	90.75	-8.54	112.75	-9.87	118.44	-9.85	135.55	-8.41	116.62
20061	383.28	-5.95	67.14	-8.77	101.23	-9.85	116.66	-10.98	144.94	-12.69	152.25	-12.66	174.25	-10.80	149.92
20063	-426.48	-78.65	5.34	-118.66	7.94	-136.78	9.02	-170.75	10.36	-191.23	11.64	-205.16	15.78	-176.94	12.20
20064	686.77	-8.50	122.25	-12.62	184.39	-14.28	212.51	-15.56	264.91	-18.40	296.61	-23.31	316.96	-18.53	273.65
20065	0.48	0.05	0.05	0.05	0.05	0.05	0.05	0.05	0.05	0.05	0.05	0.05	0.05	0.05	0.05
20071	0.63	0.05	0.05	0.05	0.05	0.05	0.05	0.05	0.05	0.05	0.05	0.05	0.05	0.05	0.05
20073	-557.60	-86.38	6.10	-130.55	9.19	-150.81	10.58	-193.03	12.92	-197.47	13.78	-233.40	19.32	-213.64	17.52
20074	664.30	-7.08	100.06	-10.67	151.27	-12.28	174.79	-15.00	224.01	-15.99	267.61	-22.47	270.57	-20.37	247.95
20075	-497.51	-74.17	5.85	-112.10	8.48	-129.51	9.50	-165.17	10.44	-177.67	12.26	-193.17	14.47	-178.03	12.57
20081	-497.51	-74.17	5.85	-112.10	8.48	-129.51	9.50	-165.17	10.44	-177.67	12.26	-193.17	14.47	-178.03	12.57
20083	-579.90	-86.42	6.58	-129.75	9.83	-148.73	11.21	-189.53	13.68	-237.41	14.54	-242.72	22.81	-217.00	18.94
20084	559.74	-6.66	87.01	-9.88	129.57	-11.18	147.12	-13.52	183.30	-14.44	229.75	-22.41	235.64	-18.54	209.01
20085	-891.27	-117.83	7.28	-178.04	11.12	-205.64	13.00	-264.93	18.11	-307.72	17.20	-321.46	24.03	-287.90	21.78
20091	-617.04	-81.57	5.04	-123.26	7.70	-142.37	9.00	-183.42	12.54	-213.04	11.91	-222.55	16.64	-199.32	15.08
20093	-557.92	-85.59	6.48	-128.38	9.72	-147.02	11.14	-173.00	12.36	-228.96	14.37	-237.22	22.42	-200.76	17.98
20094	429.07	-5.71	77.45	-8.53	115.24	-9.72	130.75	-10.24	139.86	-12.45	185.39	-19.06	198.41	-14.69	159.66
20095	-883.35	-102.29	9.43	-154.58	14.39	-179.38	16.85	-235.37	23.36	-296.82	22.26	-292.81	31.07	-264.51	28.15
20101	-1171.79	-135.69	12.51	-205.06	19.08	-237.96	22.35	-312.23	30.99	-393.74	29.53	-388.42	41.22	-350.88	37.34
20103	-713.03	-92.98	24.43	-140.22	36.94	-163.52	42.92	-218.24	56.40	-295.63	55.79	-278.28	63.10	-260.74	59.71
20105	-1179.15	-136.54	12.59	-206.34	19.20	-239.44	22.49	-314.17	31.19	-396.19	29.71	-390.84	41.48	-353.07	37.57
20111	-879.96	-101.89	9.40	-153.98	14.33	-178.69	16.78	-234.46	23.27	-295.66	22.17	-291.67	30.95	-263.48	28.04
20112	238.45	-38.32	94.92	-57.96	142.64	-67.26	163.83	-88.72	214.71	-87.81	231.74	-101.48	258.76	-78.42	236.36
20113	-360.56	-97.72	27.85	-146.95	41.94	-168.90	48.66	-222.03	62.29	-240.75	62.58	-267.89	71.33	-244.93	61.44
20115	-706.80	-107.81	40.87	-162.99	60.86	-189.08	70.49	-249.04	88.34	-249.09	90.07	-283.71	103.14	-251.80	94.47
20121	-705.03	-107.54	40.77	-162.58	60.71	-188.60	70.31	-248.42	88.12	-248.47	89.84	-283.00	102.88	-251.17	94.23
20122	297.80	-36.41	111.50	-54.84	167.19	-63.63	191.98	-81.00	248.28	-81.83	266.69	-91.37	294.87	-80.33	269.99
20123	-370.41	-96.16	31.54	-144.29	47.50	-165.43	55.11	-214.84	70.18	-231.08	70.89	-254.81	77.71	-233.40	69.65
20125	-525.93	-114.70	81.37	-173.45	122.13	-201.18	141.97	-265.60	181.80	-262.64	187.53	-303.50	213.21	-241.30	196.96
20131	-505.47	-110.23	78.20	-166.70	117.38	-193.35	136.44	-255.26	174.73	-252.43	180.24	-291.69	204.92	-231.92	189.30
20132	350.79	-45.60	117.86	-68.67	176.38	-79.68	202.32	-101.45	258.15	-102.49	276.58	-112.37	295.36	-100.70	278.20
20133	-325.32	-85.75	33.20	-128.38	50.00	-146.87	58.02	-188.02	73.89	-216.38	74.63	-224.85	82.23	-210.62	73.39
20135	-329.73	-116.17	119.47	-175.55	180.66	-203.58	209.39	-268.72	271.87	-265.94	298.23	-307.50	318.34	-224.23	299.01
20141	-379.19	-133.59	137.39	-201.89	207.76	-234.11	240.79	-309.03	312.65	-305.83	342.97	-353.62	366.10	-257.87	343.86
20142	304.36	-52.55	113.15	-79.14	168.78	-91.83	192.88	-116.95	241.11	-118.13	281.74	-130.08	299.31	-116.15	263.56
20143	-237.43	-58.71	30.41	-87.54	45.48	-99.66	52.10	-124.58	60.70	-178.12	66.72	-168.71	69.42	-145.32	60.04
20145	-195.35	-131.61	175.38	-198.81	266.22	-230.40	308.58	-301.53	399.14	-300.26	465.32	-344.46	479.92	-258.93	443.15
20151	-183.08	-123.34	164.36	-186.32	249.50	-215.93	289.20	-282.59	374.07	-281.40	436.09	-322.82	449.78	-242.67	415.32
20152	183.52	-60.86	78.44	-91.20	116.49	-104.54	132.08	-121.99	159.24	-134.72	228.12	-132.48	210.28	-116.12	183.18
20153	-124.82	-74.80	5.43	-109.50	7.96	-119.35	8.72	-102.71	7.64	-130.35	9.64	-130.47	9.78	-104.19	8.01
20154	22.19	-52.70	88.61	-79.62	133.31	-92.13	153.16	-120.18	184.16	-120.27	212.63	-139.94	223.25	-115.24	181.21
20155	-90.46	-109.93	150.79	-165.55	228.05	-192.06	265.08	-244.45	343.62	-247.00	402.85	-267.87	416.52	-242.24	384.38
20161	-89.08	-108.25	148.50	-163.03	224.58	-189.14	261.04	-240.73	338.39	-243.24	396.72	-263.80	410.18	-238.55	378.53
20163	-137.66	-66.44	32.88	-100.19	49.66	-115.44	57.44	-143.73	74.89	-168.78	74.99	-183.08	87.51	-155.48	53.50
20164	172.37	-59.49	122.92	-89.99	185.22	-104.26	213.33	-137.69	265.50	-136.35	286.31	-157.78	315.84	-101.71	278.58
20165	-197.77	-115.19	120.94	-173.47	183.30	-201.25	213.14	-256.18	278.87	-258.83	296.22	-281.13	333.90	-253.92	310.65

2012 SOUTH TRUSS FORCES BASED ON 3D MODEL STAAD OUTPUT

TRUSS MEMBER ENVELOPE FORCES TRANSFERRED TO GUSSET PLATE (KIPS)															
Member	Dead	2F1		3F1		4F1		5C1		(HS20-44)		HS-20 Truck Train		5C1 Truck Train	
		Compr.	Tens.	Compr.	Tens.	Compr.	Tens.	Compr.	Tens.	Compr.	Tens.	Compr.	Tens.	Compr.	Tens.
20171	-176.16	-102.60	107.73	-154.52	163.27	-179.26	189.86	-228.19	248.40	-230.55	263.86	-250.41	297.42	-226.18	276.71
20173	-249.72	-92.16	37.66	-139.26	56.97	-160.83	65.99	-205.06	87.15	-219.20	86.32	-243.98	99.90	-223.37	64.62
20174	250.79	-49.43	119.78	-74.70	180.91	-86.53	208.81	-113.54	265.31	-112.95	290.24	-129.11	309.59	-93.87	290.01
20175	-322.29	-99.55	80.49	-149.92	121.94	-173.93	141.34	-221.40	182.16	-223.69	183.23	-262.66	219.80	-234.72	201.78
20181	-287.76	-88.88	71.87	-133.85	108.87	-155.29	126.20	-197.68	162.64	-199.72	163.60	-234.51	196.25	-209.58	180.16
20183	-304.06	-101.27	35.42	-153.11	53.53	-176.95	62.00	-227.75	81.35	-245.82	80.93	-275.09	92.48	-250.71	67.24
20184	228.94	-40.42	109.49	-60.92	165.31	-70.65	190.74	-90.91	242.84	-91.36	262.41	-102.66	293.87	-88.33	266.86
20185	-414.34	-81.47	52.92	-122.69	80.32	-142.34	93.51	-182.38	127.22	-215.46	122.99	-250.16	166.58	-227.13	146.81
20191	-460.92	-90.63	58.87	-136.49	89.35	-158.34	104.02	-202.88	141.52	-239.69	136.82	-278.28	185.31	-252.66	163.32
20193	-306.26	-100.33	31.07	-151.62	46.82	-175.19	54.31	-225.23	70.03	-240.28	70.22	-272.43	79.02	-248.01	67.84
20194	160.80	-31.20	70.98	-46.97	107.15	-54.50	123.66	-69.36	157.31	-70.09	165.28	-76.43	189.27	-68.78	171.99
20195	-549.10	-81.63	53.28	-123.70	81.10	-144.05	94.75	-191.18	129.62	-270.71	124.51	-273.97	172.34	-246.51	141.81
20201	-784.42	-116.62	76.12	-176.72	115.86	-205.78	135.36	-273.12	185.17	-386.73	177.88	-391.39	246.20	-352.16	202.59
20203	-610.73	-96.85	27.30	-146.37	41.15	-169.98	47.67	-224.41	62.58	-289.29	62.04	-276.23	69.19	-258.19	54.55
20205	-789.32	-131.67	15.48	-198.32	23.29	-230.09	27.07	-293.35	34.90	-310.07	34.87	-340.29	45.52	-310.78	34.44
20211	-498.52	-83.16	9.78	-125.25	14.71	-145.32	17.10	-185.27	22.04	-195.84	22.02	-214.92	28.75	-196.28	21.75
20212	306.45	-5.11	71.23	-7.38	103.46	-8.55	119.15	-8.48	123.09	-10.44	150.83	-13.25	161.89	-10.04	131.77
20213	-410.38	-85.30	6.99	-125.59	10.23	-143.88	11.79	-163.24	12.82	-200.67	14.60	-209.86	20.74	-179.19	16.47
20215	-409.36	-77.30	7.25	-115.19	10.87	-134.23	12.66	-168.29	16.20	-171.70	16.32	-194.70	21.91	-168.57	16.52
20221	-588.46	-111.11	10.42	-165.59	15.63	-192.95	18.20	-241.92	23.29	-246.81	23.46	-279.89	31.49	-242.32	23.75
20222	368.25	-5.46	77.24	-7.87	111.70	-9.05	128.81	-10.53	151.73	-10.95	178.31	-17.18	184.62	-13.78	160.82
20223	-436.31	-86.12	6.18	-127.14	9.02	-145.47	10.39	-180.61	12.82	-209.30	12.98	-218.89	20.78	-191.16	16.58
20225	-322.36	-69.95	5.85	-104.30	8.80	-118.97	10.14	-147.09	12.87	-154.61	13.25	-173.55	17.93	-149.05	13.27
20231	-322.36	-69.95	5.85	-104.30	8.80	-118.97	10.14	-147.09	12.87	-154.61	13.25	-173.55	17.93	-149.05	13.27
20232	437.17	-6.25	91.33	-9.34	136.05	-10.64	155.04	-12.86	190.22	-13.76	208.34	-20.27	225.01	-15.14	193.47
20233	-395.45	-89.49	6.14	-133.30	9.16	-151.91	10.44	-186.38	12.62	-204.16	13.50	-220.51	19.87	-189.59	14.84
20235	0.71	0.05	0.05	0.05	0.05	0.05	0.05	0.05	0.05	0.05	0.05	0.05	0.05	0.05	0.05
20241	0.71	0.05	0.05	0.05	0.05	0.05	0.05	0.05	0.05	0.05	0.05	0.05	0.05	0.05	0.05
20242	407.81	-9.38	110.51	-13.91	163.21	-15.73	186.50	-17.42	213.53	-20.25	237.32	-19.86	245.68	-16.52	212.60
20243	-261.17	-74.03	6.69	-109.35	9.92	-124.91	11.22	-142.95	12.35	-159.00	14.44	-164.67	13.81	-142.23	11.61
20245	311.64	-6.19	85.79	-9.09	126.50	-10.45	144.87	-11.88	166.10	-13.08	183.49	-14.97	191.93	-12.37	166.18
20251	220.55	-4.38	60.71	-6.43	89.52	-7.40	102.52	-8.40	117.54	-9.26	129.86	-10.59	135.82	-8.75	117.61
20252	220.29	-28.42	86.12	-40.13	125.70	-42.68	142.63	-41.26	146.30	-52.61	178.12	-35.31	183.40	-27.77	144.26
20253	-121.20	-79.06	5.69	-115.67	8.31	-126.07	9.08	-107.94	7.74	-137.56	9.94	-137.60	9.98	-109.36	7.96
20254	45.36	-44.28	66.59	-62.93	97.64	-68.38	108.84	-57.43	94.18	-84.09	136.50	-76.02	132.73	-47.89	86.93
20255	295.94	-5.41	79.15	-8.03	117.45	-9.27	135.71	-10.03	151.99	-11.61	170.97	-12.75	171.79	-10.59	151.87
20261	301.48	-5.51	80.63	-8.18	119.65	-9.44	138.25	-10.22	154.83	-11.83	174.17	-12.99	175.00	-10.78	154.71
20263	-149.47	-63.86	15.19	-94.93	20.50	-107.59	20.63	-111.82	21.36	-137.77	25.45	-137.25	23.48	-110.10	18.91
20264	281.05	-11.36	100.33	-16.12	149.07	-17.66	168.84	-19.89	177.68	-22.50	216.01	-23.50	215.43	-19.20	175.14
20265	171.43	-3.60	46.70	-5.36	69.87	-6.08	79.80	-6.52	89.99	-7.80	103.06	-7.05	105.53	-5.99	89.26
20271	165.94	-3.48	45.20	-5.18	67.63	-5.89	77.24	-6.31	87.11	-7.55	99.75	-6.82	102.14	-5.79	86.40
20273	-307.45	-89.21	8.31	-133.61	12.46	-152.74	14.31	-174.29	16.84	-197.53	18.48	-204.38	22.70	-173.49	16.44
20274	360.31	-8.95	100.32	-13.41	150.22	-15.37	171.69	-17.92	195.54	-19.84	222.00	-23.81	229.55	-17.52	194.75
20275	0.95	0.05	0.05	0.05	0.05	0.05	0.05	0.05	0.05	0.05	0.05	0.05	0.05	0.05	0.05
20281	1.45	0.05	0.05	0.05	0.05	0.05	0.05	0.05	0.05	0.05	0.05	0.05	0.05	0.05	0.05
20283	-404.84	-89.71	8.03	-135.01	12.12	-155.21	13.99	-188.10	17.27	-202.05	18.20	-224.90	24.46	-189.98	18.06
20284	365.94	-7.01	77.94	-10.58	117.35	-12.21	134.96	-15.09	163.93	-15.88	175.74	-21.38	195.65	-15.90	165.60
20285	-236.21	-49.66	5.25	-74.67	7.84	-85.80	8.94	-103.01	10.01	-111.51	11.53	-121.29	10.97	-102.27	8.54
20291	-236.21	-49.66	5.25	-74.67	7.84	-85.80	8.94	-103.01	10.01	-111.51	11.53	-121.29	10.97	-102.27	8.54
20293	-428.71	-87.81	7.42	-131.05	11.08	-149.21	12.65	-182.46	15.62	-206.51	16.37	-221.47	22.48	-191.09	18.07
20294	324.33	-5.77	68.68	-8.52	101.33	-9.60	113.80	-11.54	134.82	-12.31	154.30	-16.75	165.42	-13.76	141.52
20295	-433.84	-75.44	9.03	-113.43	13.46	-130.29	15.36	-161.44	17.26	-169.60	19.67	-191.05	21.50	-160.40	16.02
20301	-433.84	-75.44	9.03	-113.43	13.46	-130.29	15.36	-161.44	17.26	-169.60	19.67	-191.05	21.50	-160.40	16.02
20303	-804.36	-93.88	18.09	-141.27	27.17	-164.80	31.59	-219.35	40.64	-308.90	40.82	-284.03	44.24	-261.44	37.86
20305	-437.69	-76.11	9.11	-114.43	13.58	-131.44	15.50	-162.87	17.41	-171.09	19.84	-192.74	21.69	-161.81	16.17

2012 SOUTH TRUSS FORCES BASED ON 3D MODEL STAAD OUTPUT

TRUSS MEMBER ENVELOPE FORCES TRANSFERRED TO GUSSET PLATE (KIPS)															
Member	Dead	2F1		3F1		4F1		5C1		(HS20-44)		HS-20 Truck Train		5C1 Truck Train	
		Compr.	Tens.	Compr.	Tens.	Compr.	Tens.	Compr.	Tens.	Compr.	Tens.	Compr.	Tens.	Compr.	Tens.
20311	-437.69	-76.11	9.11	-114.43	13.58	-131.44	15.50	-162.87	17.41	-171.09	19.84	-192.74	21.69	-161.81	16.17
20312	394.30	-32.29	89.02	-48.55	133.70	-55.85	153.49	-69.80	201.09	-72.56	216.74	-79.48	242.59	-69.83	221.76
20313	-499.69	-101.12	23.72	-151.90	35.61	-174.42	41.04	-228.76	51.42	-249.18	53.15	-275.15	58.67	-251.83	51.48
20315	-199.56	-84.56	45.95	-127.21	68.65	-146.19	79.17	-182.22	100.11	-190.19	102.27	-207.97	119.55	-182.21	108.66
20321	-199.56	-84.56	45.95	-127.21	68.65	-146.19	79.17	-182.22	100.11	-190.19	102.27	-207.97	119.55	-182.21	108.66
20322	463.09	-30.00	107.39	-45.04	161.02	-51.87	185.12	-64.92	239.72	-67.21	258.26	-74.21	284.56	-65.06	260.64
20323	-498.51	-102.52	22.45	-153.80	33.60	-176.41	39.08	-229.26	50.17	-248.06	50.24	-271.73	58.23	-248.90	52.10
20325	97.40	-94.43	98.10	-142.08	147.00	-163.29	171.15	-203.90	220.98	-212.51	230.62	-233.29	260.05	-204.92	241.24
20331	59.34	-57.52	59.76	-86.55	89.55	-99.48	104.26	-124.21	134.62	-129.46	140.49	-142.12	158.42	-124.84	146.96
20332	497.54	-30.00	116.20	-44.90	173.84	-52.22	199.90	-67.05	254.53	-67.14	276.32	-77.82	293.53	-69.63	274.04
20333	-408.81	-90.49	23.33	-135.42	34.93	-154.98	40.61	-198.17	52.15	-212.11	52.31	-233.26	61.51	-215.65	54.52
20335	220.47	-52.69	79.83	-79.28	120.55	-91.14	139.95	-113.96	182.03	-118.60	199.85	-130.86	213.84	-114.90	200.50
20341	196.89	-47.06	71.29	-70.80	107.66	-81.39	124.98	-101.77	162.56	-105.91	178.48	-116.86	190.97	-102.61	179.05
20342	416.36	-34.37	110.78	-51.47	165.21	-59.84	189.10	-76.85	236.04	-77.09	256.96	-90.66	283.27	-80.34	250.19
20343	-213.01	-58.74	27.03	-87.55	40.15	-99.68	45.71	-124.33	48.43	-139.83	58.29	-155.97	58.16	-134.23	46.22
20345	264.72	-37.94	75.12	-57.06	113.95	-65.63	131.96	-82.15	171.26	-85.36	198.71	-94.56	205.19	-82.98	189.46
20351	337.03	-48.30	95.63	-72.65	145.08	-83.56	168.01	-104.59	218.03	-108.67	252.99	-120.38	261.24	-105.64	241.21
20352	127.18	-51.49	72.99	-77.05	108.29	-88.37	122.60	-102.20	147.41	-113.87	158.95	-103.80	176.98	-90.51	143.38
20353	-123.25	-75.72	5.66	-110.85	8.29	-120.84	9.06	-103.90	7.80	-132.07	9.96	-131.57	9.87	-101.16	7.30
20354	241.70	-36.77	93.36	-55.24	140.36	-63.38	161.16	-78.31	193.56	-82.34	209.56	-90.45	225.93	-79.63	188.04
20355	298.14	-42.00	85.95	-62.85	129.78	-73.12	150.93	-93.84	195.69	-93.98	227.88	-107.00	236.38	-96.71	218.47
20361	276.95	-39.01	79.84	-58.39	120.56	-67.92	140.20	-87.17	181.78	-87.30	211.69	-99.39	219.57	-89.84	202.94
20363	-289.49	-73.92	24.45	-111.51	36.74	-128.55	42.18	-160.33	51.87	-172.31	54.81	-194.82	59.34	-166.76	52.25
20364	452.38	-36.98	113.95	-55.71	171.71	-64.10	197.86	-80.37	245.97	-83.50	265.90	-93.22	291.85	-81.90	257.75
20365	156.87	-40.50	62.20	-60.62	94.07	-70.51	109.46	-90.51	143.23	-90.61	153.17	-103.64	172.65	-93.46	160.06
20371	227.20	-58.66	90.09	-87.80	136.25	-102.13	158.54	-131.09	207.44	-131.23	221.84	-150.11	250.06	-135.36	231.83
20373	-441.34	-93.67	25.80	-141.58	38.86	-163.58	44.72	-208.94	56.07	-222.99	58.25	-247.94	65.03	-226.84	57.12
20374	503.25	-33.37	118.58	-50.20	179.07	-57.83	206.67	-73.05	262.13	-75.22	291.52	-84.36	309.20	-74.52	287.65
20375	16.75	-55.59	64.47	-83.21	97.53	-96.79	113.23	-124.25	146.43	-124.39	146.85	-153.61	176.69	-139.17	161.19
20381	16.75	-55.59	64.47	-83.21	97.53	-96.79	113.23	-124.25	146.43	-124.39	146.85	-153.61	176.69	-139.17	161.19
20383	-517.87	-108.77	25.92	-164.41	38.99	-189.94	44.92	-244.44	56.74	-266.64	58.43	-295.44	65.51	-269.39	57.87
20384	442.91	-29.40	102.18	-44.02	154.28	-51.18	178.04	-65.78	227.13	-65.95	246.91	-75.30	274.98	-67.59	249.94
20385	-169.39	-50.60	43.17	-76.07	65.58	-88.59	76.40	-116.03	104.69	-149.25	107.24	-166.52	140.55	-150.92	128.54
20391	-245.17	-73.24	62.48	-110.11	94.92	-128.22	110.58	-167.94	151.53	-216.02	155.22	-241.02	203.43	-218.43	186.04
20393	-495.35	-100.43	24.11	-151.75	36.12	-175.27	41.99	-225.36	54.00	-249.82	54.14	-272.69	61.91	-248.40	55.45
20394	358.88	-32.91	87.03	-49.26	131.26	-57.30	151.33	-73.52	191.76	-73.75	206.50	-84.00	230.66	-75.57	209.43
20395	-470.08	-79.79	60.67	-120.90	92.53	-141.20	107.98	-191.63	148.63	-278.68	143.78	-284.07	203.35	-252.88	180.24
20401	-470.08	-79.79	60.67	-120.90	92.53	-141.20	107.98	-191.63	148.63	-278.68	143.78	-284.07	203.35	-252.88	180.24
20403	-796.24	-97.84	20.66	-147.61	31.18	-171.27	36.05	-223.68	46.19	-314.36	46.78	-286.85	54.31	-260.24	47.30
20405	-447.02	-73.58	8.59	-110.28	13.03	-128.21	15.13	-165.37	20.31	-170.01	19.85	-195.93	29.81	-175.30	22.34
20411	-447.02	-73.58	8.59	-110.28	13.03	-128.21	15.13	-165.37	20.31	-170.01	19.85	-195.93	29.81	-175.30	22.34
20412	324.54	-4.76	63.49	-6.88	91.26	-7.91	105.26	-9.49	122.89	-9.60	151.10	-14.85	150.85	-12.36	135.39
20413	-473.16	-86.44	6.50	-126.54	9.49	-145.30	10.93	-180.22	13.96	-218.37	13.72	-219.43	21.54	-199.16	18.14
20415	-242.04	-45.56	4.29	-68.32	6.54	-78.28	7.60	-100.37	10.15	-102.40	10.00	-121.21	15.07	-104.37	11.24
20421	-242.04	-45.56	4.29	-68.32	6.54	-78.28	7.60	-100.37	10.15	-102.40	10.00	-121.21	15.07	-104.37	11.24
20422	397.12	-5.19	70.69	-7.93	106.02	-9.26	121.49	-12.39	155.53	-12.24	177.98	-18.56	187.44	-14.56	164.54
20423	-473.75	-90.18	6.63	-135.25	10.13	-154.99	11.83	-198.42	15.82	-227.10	15.62	-239.12	23.66	-209.90	18.55
20425	1.97	0.05	0.05	0.05	0.05	0.05	0.05	0.05	0.05	0.05	0.05	0.05	0.05	0.05	0.05
20431	1.97	0.05	0.05	0.05	0.05	0.05	0.05	0.05	0.05	0.05	0.05	0.05	0.05	0.05	0.05
20432	433.67	-6.84	94.26	-10.11	140.15	-11.60	160.00	-13.43	195.20	-14.70	215.46	-19.29	231.72	-15.73	199.71
20433	-400.49	-89.47	6.57	-133.02	9.74	-151.76	11.14	-185.20	12.97	-205.57	14.23	-220.63	18.95	-190.08	15.44
20435	277.08	-4.57	61.47	-6.70	91.35	-7.64	104.54	-7.93	126.91	-9.41	134.63	-10.48	146.92	-8.23	128.34
20441	193.69	-3.19	42.97	-4.69	63.86	-5.34	73.08	-5.54	88.71	-6.57	94.11	-7.33	102.70	-5.75	89.71
20442	387.22	-7.97	101.83	-11.74	150.36	-13.46	172.04	-15.03	197.04	-16.94	218.33	-21.05	229.09	-17.39	200.32
20443	-225.61	-64.03	12.60	-94.56	17.92	-107.35	19.31	-122.79	19.08	-137.63	23.91	-143.75	20.47	-126.16	16.24

2012 SOUTH TRUSS FORCES BASED ON 3D MODEL STAAD OUTPUT

TRUSS MEMBER ENVELOPE FORCES TRANSFERRED TO GUSSET PLATE (KIPS)															
Member	Dead	2F1		3F1		4F1		5C1		(HS20-44)		HS-20 Truck Train		5C1 Truck Train	
		Compr.	Tens.	Compr.	Tens.	Compr.	Tens.	Compr.	Tens.	Compr.	Tens.	Compr.	Tens.	Compr.	Tens.
20445	366.99	-5.36	77.44	-8.00	115.32	-9.15	133.67	-10.30	159.57	-11.46	169.40	-13.11	180.57	-10.59	159.89
20451	291.19	-4.25	61.45	-6.35	91.50	-7.26	106.06	-8.17	126.62	-9.09	134.41	-10.41	143.27	-8.40	126.86
20452	153.30	-32.20	68.87	-47.08	100.64	-52.37	113.33	-45.67	115.01	-65.40	142.29	-45.88	138.98	-31.50	117.34
20453	-122.92	-74.92	5.17	-109.69	7.55	-119.72	8.27	-103.08	7.17	-130.73	9.11	-130.73	9.12	-104.38	7.42
20454	153.91	-28.37	73.21	-40.50	108.82	-43.33	123.25	-34.82	125.93	-53.48	157.55	-41.58	156.55	-33.18	121.13
20455	273.71	-3.51	57.62	-5.28	86.18	-6.05	99.12	-7.22	118.60	-7.83	126.96	-9.41	135.53	-8.03	119.29
20461	360.83	-4.63	75.95	-6.96	113.62	-7.98	130.68	-9.52	156.35	-10.32	167.37	-12.41	178.66	-10.58	157.26
20463	-225.90	-68.21	10.37	-102.06	14.16	-116.47	14.27	-132.04	14.31	-150.34	17.42	-154.01	19.41	-129.96	13.52
20464	387.78	-7.69	100.90	-11.50	150.97	-13.11	172.29	-14.89	195.65	-16.89	222.38	-20.01	228.83	-14.50	193.94
20465	186.56	-2.11	39.21	-3.16	58.91	-3.60	67.55	-4.12	80.44	-4.64	87.64	-5.80	94.93	-4.91	81.60
20471	185.11	-2.10	38.91	-3.14	58.45	-3.58	67.03	-4.09	79.81	-4.60	86.96	-5.76	94.20	-4.87	80.97
20473	-400.30	-90.25	6.14	-135.67	9.24	-155.67	10.62	-186.18	12.51	-209.40	13.77	-221.60	17.44	-188.37	12.70
20474	424.39	-5.98	91.97	-9.00	138.24	-10.34	158.61	-12.19	189.60	-13.42	214.75	-16.83	225.30	-12.45	191.96
20475	1.37	0.05	0.05	0.05	0.05	0.05	0.05	0.05	0.05	0.05	0.05	0.05	0.05	0.05	0.05
20481	2.01	0.05	0.05	0.05	0.05	0.05	0.05	0.05	0.05	0.05	0.05	0.05	0.05	0.05	0.05
20483	-477.63	-84.61	5.65	-128.33	8.62	-148.83	10.09	-185.21	13.29	-220.31	13.30	-222.48	19.54	-193.67	15.09
20484	197.02	-2.31	34.22	-3.52	51.89	-4.12	60.15	-5.42	74.67	-5.42	87.73	-7.96	89.95	-6.20	78.29
20485	-238.60	-39.37	3.05	-59.66	4.62	-69.12	5.35	-85.42	6.54	-94.00	6.99	-103.46	10.52	-90.11	8.32
20491	-238.60	-39.37	3.05	-59.66	4.62	-69.12	5.35	-85.42	6.54	-94.00	6.99	-103.46	10.52	-90.11	8.32
20493	-466.80	-80.57	6.83	-121.01	10.10	-138.80	11.40	-169.73	13.75	-209.54	14.55	-192.51	21.88	-183.77	17.96
20494	342.77	-4.34	59.16	-6.33	88.50	-7.24	100.82	-7.94	120.50	-8.83	149.94	-13.85	136.70	-10.94	129.61
20495	-438.38	-60.42	5.11	-92.08	7.71	-106.61	8.89	-134.23	10.64	-164.65	11.55	-166.20	20.84	-146.35	17.37
20501	-438.38	-60.42	5.11	-92.08	7.71	-106.61	8.89	-134.23	10.64	-164.65	11.55	-166.20	20.84	-146.35	17.37
20503	-892.72	-82.87	16.91	-125.96	25.70	-146.46	29.86	-194.05	38.28	-313.51	38.66	-263.94	38.52	-237.55	37.21
20505	-415.55	-55.38	4.68	-84.39	7.07	-97.70	8.14	-123.02	9.75	-156.12	10.59	-152.32	19.10	-134.13	15.92
20511	-415.55	-55.38	4.68	-84.39	7.07	-97.70	8.14	-123.02	9.75	-156.12	10.59	-152.32	19.10	-134.13	15.92
20512	430.51	-26.39	70.88	-40.23	107.80	-46.58	124.64	-59.45	162.91	-60.30	204.62	-69.45	203.16	-61.91	184.31
20513	-530.26	-80.14	21.50	-121.85	32.56	-140.89	37.63	-183.74	46.90	-235.78	48.25	-227.34	54.36	-205.75	48.73
20515	-180.73	-59.91	29.95	-91.30	45.40	-105.72	52.57	-133.69	65.97	-136.45	73.53	-157.03	80.42	-140.24	71.74
20521	-180.73	-59.91	29.95	-91.30	45.40	-105.72	52.57	-133.69	65.97	-136.45	73.53	-157.03	80.42	-140.24	71.74
20522	483.88	-25.05	81.73	-38.20	124.20	-44.25	143.85	-56.84	186.98	-57.29	236.96	-66.12	220.79	-59.14	206.46
20523	-554.48	-86.92	21.44	-132.10	32.42	-152.86	37.54	-199.21	48.96	-250.19	48.68	-234.29	54.93	-219.52	49.88
20525	89.40	-66.27	63.86	-101.05	96.98	-117.02	112.62	-148.74	146.13	-151.34	173.62	-175.77	174.81	-156.63	160.73
20531	46.55	-34.51	33.25	-52.62	50.50	-60.93	58.64	-77.45	76.09	-78.80	90.40	-91.53	91.03	-81.56	83.69
20532	524.50	-25.58	89.39	-39.03	135.75	-45.32	157.30	-59.12	203.64	-58.78	257.00	-66.33	240.97	-60.22	219.66
20533	-373.11	-62.56	18.19	-95.03	27.77	-109.92	32.24	-142.25	42.08	-173.16	41.85	-173.25	48.02	-157.41	43.00
20535	191.48	-35.80	49.97	-54.59	76.08	-63.22	88.35	-80.54	116.39	-81.83	145.16	-95.48	136.49	-84.92	128.92
20541	175.21	-32.76	45.72	-49.95	69.61	-57.85	80.85	-73.70	106.50	-74.87	132.82	-87.37	124.89	-77.71	117.97
20542	478.27	-30.88	90.08	-47.14	136.67	-54.72	158.17	-71.42	202.69	-71.04	249.42	-81.50	242.14	-72.99	223.25
20543	-375.27	-73.34	25.52	-111.29	38.95	-128.59	45.24	-165.00	59.03	-198.89	58.74	-197.89	68.14	-183.42	60.47
20545	289.93	-32.99	59.59	-50.33	90.80	-58.31	105.57	-74.73	139.33	-75.55	181.65	-88.30	170.38	-78.66	155.22
20551	326.63	-37.17	67.14	-56.70	102.29	-65.69	118.93	-84.19	156.97	-85.11	204.64	-99.47	191.95	-88.61	174.86
20552	370.91	-36.06	87.50	-55.04	132.59	-63.93	153.03	-83.41	192.76	-83.00	235.40	-96.28	225.59	-85.44	209.77
20553	-154.07	-48.76	25.64	-73.84	38.63	-85.21	44.36	-106.93	53.37	-126.77	57.18	-122.72	59.87	-113.76	50.50
20555	413.85	-36.65	77.95	-55.98	118.82	-64.94	138.34	-83.73	181.79	-84.09	249.33	-97.79	227.87	-87.66	209.97
20561	421.70	-37.35	79.43	-57.05	121.08	-66.17	140.97	-85.32	185.24	-85.69	254.06	-99.65	232.20	-89.32	213.95
20562	65.73	-43.73	60.04	-66.13	90.79	-76.31	104.58	-94.29	128.49	-99.05	137.84	-103.83	146.01	-81.80	125.98
20563	-98.68	-62.88	8.53	-93.01	12.53	-102.62	13.90	-89.16	12.05	-111.97	15.41	-111.52	15.40	-89.73	12.23
20564	245.59	-30.74	67.43	-46.12	101.80	-53.14	117.55	-63.25	146.69	-68.87	176.08	-73.16	178.49	-63.36	141.17
20565	377.63	-45.60	77.70	-69.58	118.43	-80.77	137.83	-105.36	182.05	-104.85	250.93	-118.71	229.28	-107.80	211.62
20571	320.85	-38.74	66.02	-59.12	100.62	-68.63	117.10	-89.52	154.68	-89.08	213.20	-100.86	194.81	-91.59	179.80
20573	-272.80	-54.59	19.17	-82.60	29.19	-95.64	33.76	-122.56	42.34	-155.81	43.74	-154.03	50.55	-137.80	44.77
20574	494.16	-27.78	91.17	-42.37	137.97	-49.10	159.60	-62.67	203.48	-63.60	246.05	-75.66	240.96	-67.25	216.73
20575	205.75	-39.95	54.14	-60.97	82.46	-70.79	95.84	-92.35	125.97	-91.81	164.50	-103.52	157.47	-94.06	147.41
20581	259.34	-50.36	68.24	-76.85	103.94	-89.23	120.80	-116.40	158.78	-115.73	207.34	-130.48	198.48	-118.55	185.80

2012 SOUTH TRUSS FORCES BASED ON 3D MODEL STAAD OUTPUT

TRUSS MEMBER ENVELOPE FORCES TRANSFERRED TO GUSSET PLATE (KIPS)															
Member	Dead	2F1		3F1		4F1		5C1		(HS20-44)		HS-20 Truck Train		5C1 Truck Train	
		Compr.	Tens.	Compr.	Tens.	Compr.	Tens.	Compr.	Tens.	Compr.	Tens.	Compr.	Tens.	Compr.	Tens.
20583	-348.90	-57.13	15.07	-86.49	22.84	-100.15	26.35	-129.03	33.61	-156.30	34.12	-156.84	40.59	-132.96	36.07
20584	550.71	-24.16	91.21	-36.86	138.09	-42.71	159.80	-54.92	204.70	-55.42	256.81	-65.72	246.64	-58.48	217.02
20585	84.81	-46.27	49.79	-70.61	76.05	-81.99	88.39	-106.95	117.36	-106.34	136.53	-123.00	146.14	-112.00	137.52
20591	112.77	-61.52	66.21	-93.89	101.13	-109.02	117.54	-142.22	156.06	-141.40	181.54	-163.55	194.32	-148.93	182.86
20593	-395.24	-58.41	13.34	-88.52	20.35	-102.59	23.58	-133.53	30.33	-168.81	30.60	-163.56	36.33	-144.21	32.32
20594	536.57	-25.19	87.67	-38.44	132.89	-44.64	153.84	-58.26	199.16	-57.96	254.95	-67.28	236.17	-60.30	218.83
20595	-103.42	-57.68	49.65	-88.02	75.68	-102.20	87.92	-133.33	118.05	-165.07	145.31	-191.12	166.40	-168.55	150.49
20601	-144.05	-80.34	69.16	-122.60	105.41	-142.36	122.46	-185.72	164.43	-229.92	202.40	-266.21	231.77	-234.76	209.61
20603	-561.69	-86.48	21.07	-131.05	32.15	-151.71	37.33	-196.67	48.72	-254.43	48.46	-238.91	56.21	-220.24	50.37
20604	450.29	-31.40	80.26	-47.91	121.57	-55.63	140.69	-72.58	180.35	-72.22	230.44	-82.58	220.83	-74.31	200.83
20605	-400.87	-76.43	58.15	-116.60	89.01	-135.73	103.88	-182.30	143.47	-295.91	186.73	-280.80	212.15	-249.79	193.82
20611	-400.87	-76.43	58.15	-116.60	89.01	-135.73	103.88	-182.30	143.47	-295.91	186.73	-280.80	212.15	-249.79	193.82
20613	-504.14	-80.12	24.75	-121.29	37.77	-140.23	43.86	-179.66	57.23	-234.60	56.93	-220.61	65.38	-200.37	58.60
20614	334.14	-37.69	71.90	-57.51	108.72	-66.77	125.64	-87.12	158.24	-86.68	193.91	-98.98	192.25	-89.18	173.97
20615	-641.45	-82.74	61.51	-126.53	94.19	-147.58	110.07	-202.49	152.72	-364.97	187.45	-318.03	226.30	-285.22	202.60
20621	-641.45	-82.74	61.51	-126.53	94.19	-147.58	110.07	-202.49	152.72	-364.97	187.45	-318.03	226.30	-285.22	202.60
20623	-841.08	-95.06	23.82	-144.91	36.16	-168.30	42.08	-217.93	54.38	-305.30	54.69	-266.27	61.94	-240.31	53.39
20625	-726.37	-100.06	12.68	-152.92	19.45	-177.40	22.57	-231.57	29.92	-258.00	29.46	-275.67	44.62	-252.74	35.54
20631	-726.37	-100.06	12.68	-152.92	19.45	-177.40	22.57	-231.57	29.92	-258.00	29.46	-275.67	44.62	-252.74	35.54
20632	312.08	-3.21	61.48	-4.85	93.20	-5.58	106.57	-5.61	109.40	-7.01	136.32	-6.63	144.39	-3.95	101.89
20633	-454.64	-79.70	6.81	-120.67	10.35	-139.24	11.92	-159.49	13.53	-203.09	15.19	-210.15	20.76	-157.71	13.48
20635	-498.37	-78.43	8.45	-119.61	12.87	-138.94	14.94	-178.77	19.82	-187.64	19.53	-212.53	29.83	-193.44	25.16
20641	-498.37	-78.43	8.45	-119.61	12.87	-138.94	14.94	-178.77	19.82	-187.64	19.53	-212.53	29.83	-193.44	25.16
20642	380.35	-4.65	65.26	-7.08	98.90	-8.14	113.35	-9.90	136.02	-10.42	166.76	-14.78	168.41	-11.91	147.68
20643	-468.89	-81.21	7.09	-122.96	10.78	-141.90	12.43	-176.25	15.50	-214.81	15.95	-217.97	24.29	-193.71	20.16
20645	-265.31	-47.58	4.96	-72.02	7.51	-83.84	8.76	-106.33	11.64	-109.42	11.42	-129.22	17.78	-110.75	14.81
20651	-265.31	-47.58	4.96	-72.02	7.51	-83.84	8.76	-106.33	11.64	-109.42	11.42	-129.22	17.78	-110.75	14.81
20652	429.58	-5.49	74.56	-8.34	112.78	-9.74	131.38	-13.14	165.85	-12.78	190.83	-20.56	201.86	-16.22	175.93
20653	-468.24	-88.17	6.49	-133.37	9.87	-155.35	11.53	-196.13	15.55	-225.70	15.12	-238.74	24.30	-208.05	19.20
20655	1.36	0.05	0.05	0.05	0.05	0.05	0.05	0.05	0.05	0.05	0.05	0.05	0.05	0.05	0.05
20661	1.36	0.05	0.05	0.05	0.05	0.05	0.05	0.05	0.05	0.05	0.05	0.05	0.05	0.05	0.05
20662	430.80	-7.27	94.53	-10.92	143.00	-12.80	165.73	-15.10	198.80	-16.47	218.83	-23.70	239.67	-18.91	206.03
20663	-376.56	-85.40	6.55	-129.17	9.83	-149.71	11.53	-179.62	13.64	-198.11	14.84	-216.88	21.72	-186.45	17.39
20665	281.09	-5.40	62.69	-8.19	94.91	-9.44	109.94	-10.69	131.60	-12.04	142.02	-14.68	156.80	-10.95	134.39
20671	195.99	-3.77	43.71	-5.71	66.17	-6.58	76.66	-7.45	91.76	-8.39	99.02	-10.23	109.33	-7.64	93.70
20672	353.01	-9.57	93.32	-14.18	141.47	-16.12	163.14	-17.88	184.61	-20.46	208.94	-21.36	218.02	-18.36	187.07
20673	-205.95	-62.06	12.75	-93.92	18.15	-108.34	20.18	-122.02	19.86	-138.98	23.57	-144.94	20.84	-123.92	17.65
20675	334.09	-5.54	72.86	-8.50	111.13	-9.73	128.05	-11.40	154.06	-12.26	163.66	-14.50	175.26	-11.59	154.38
20681	289.60	-4.81	63.15	-7.36	96.33	-8.44	111.00	-9.88	133.54	-10.63	141.86	-12.57	151.92	-10.05	133.82
20682	120.32	-36.28	64.51	-53.34	97.20	-59.77	111.36	-51.32	111.17	-73.99	140.71	-56.42	145.58	-35.24	113.85
20683	-122.91	-74.67	5.22	-111.44	7.75	-123.63	8.65	-106.87	7.48	-134.37	9.23	-135.01	9.45	-107.15	7.38
20684	140.53	-31.55	68.94	-46.61	102.73	-52.69	118.17	-41.06	122.54	-64.74	148.60	-63.38	147.75	-44.30	116.40
20685	258.77	-4.07	56.16	-6.24	85.79	-7.17	99.01	-8.60	118.91	-9.06	125.72	-11.58	135.47	-9.54	119.44
20691	327.85	-5.15	71.16	-7.90	108.69	-9.08	125.44	-10.90	150.66	-11.47	159.28	-14.67	171.63	-12.08	151.32
20693	-219.36	-66.07	11.64	-99.08	16.66	-114.51	18.12	-131.44	18.54	-146.07	20.69	-153.33	24.17	-128.44	18.25
20694	362.21	-8.90	96.85	-13.48	145.37	-15.60	168.39	-18.22	192.87	-19.54	214.01	-24.80	224.47	-18.59	189.61
20695	190.20	-3.16	41.93	-4.76	63.15	-5.56	73.10	-6.60	88.15	-7.06	94.17	-10.20	105.09	-7.95	89.02
20701	209.20	-3.48	46.11	-5.24	69.46	-6.11	80.41	-7.26	96.95	-7.77	103.58	-11.22	115.59	-8.75	97.91
20703	-381.82	-88.44	8.11	-133.28	12.22	-154.32	14.23	-187.13	17.02	-198.99	18.07	-222.71	24.38	-188.04	18.69
20704	433.80	-8.70	96.96	-13.11	146.12	-15.26	169.19	-18.22	205.06	-19.37	218.45	-26.02	243.91	-19.95	205.96
20705	0.93	0.05	0.05	0.05	0.05	0.05	0.05	0.05	0.05	0.05	0.05	0.05	0.05	0.05	0.05
20711	1.37	0.05	0.05	0.05	0.05	0.05	0.05	0.05	0.05	0.05	0.05	0.05	0.05	0.05	0.05
20713	-473.70	-86.23	7.79	-130.40	11.77	-150.72	13.66	-190.30	17.24	-213.36	17.72	-230.11	25.13	-201.55	19.98
20714	434.22	-6.92	76.55	-10.45	115.78	-12.13	133.82	-15.31	169.08	-15.74	189.59	-22.33	204.37	-17.69	179.12
20715	-255.56	-44.32	3.52	-67.02	5.31	-77.45	6.17	-97.60	7.79	-100.91	8.01	-120.54	13.26	-104.82	10.32

2012 SOUTH TRUSS FORCES BASED ON 3D MODEL STAAD OUTPUT

TRUSS MEMBER ENVELOPE FORCES TRANSFERRED TO GUSSET PLATE (KIPS)															
Member	Dead	2F1		3F1		4F1		5C1		(HS20-44)		HS-20 Truck Train		5C1 Truck Train	
		Compr.	Tens.	Compr.	Tens.	Compr.	Tens.	Compr.	Tens.	Compr.	Tens.	Compr.	Tens.	Compr.	Tens.
20721	-255.56	-44.32	3.52	-67.02	5.31	-77.45	6.17	-97.60	7.79	-100.91	8.01	-120.54	13.26	-104.82	10.32
20723	-497.06	-84.28	7.39	-126.56	11.14	-146.68	12.98	-183.81	16.36	-218.19	16.59	-222.56	22.60	-202.68	19.64
20724	390.47	-6.04	67.69	-9.22	102.10	-10.63	117.16	-12.93	141.83	-13.30	168.91	-17.78	172.16	-15.26	155.76
20725	-481.67	-72.47	6.59	-110.18	10.03	-128.03	11.59	-163.67	14.24	-181.05	14.95	-199.55	23.09	-178.11	18.56
20731	-481.67	-72.47	6.59	-110.18	10.03	-128.03	11.59	-163.67	14.24	-181.05	14.95	-199.55	23.09	-178.11	18.56
20733	-453.15	-79.47	7.54	-119.37	11.39	-138.22	13.25	-158.82	14.93	-201.10	16.60	-211.20	25.54	-179.14	19.90
20734	306.31	-4.36	61.04	-6.68	92.00	-7.67	105.44	-7.49	107.50	-9.41	133.90	-13.45	146.26	-9.67	115.87
20735	-691.80	-87.11	8.74	-133.15	13.25	-154.68	15.33	-200.78	18.93	-247.08	19.78	-252.89	36.09	-234.59	30.67
20741	-691.80	-87.11	8.74	-133.15	13.25	-154.68	15.33	-200.78	18.93	-247.08	19.78	-252.89	36.09	-234.59	30.67
20743	-925.35	-91.90	33.59	-140.36	51.01	-163.86	59.18	-224.16	76.96	-340.78	77.25	-311.83	91.31	-285.47	82.23
20745	-687.11	-86.56	8.68	-132.31	13.17	-153.69	15.24	-199.51	18.82	-245.44	19.66	-251.24	35.86	-233.06	30.48
20751	-687.11	-86.56	8.68	-132.31	13.17	-153.69	15.24	-199.51	18.82	-245.44	19.66	-251.24	35.86	-233.06	30.48
20752	481.51	-50.78	85.57	-77.60	129.92	-90.27	152.11	-118.68	206.84	-117.03	303.76	-136.86	287.48	-124.82	262.95
20753	-655.36	-98.02	41.22	-148.75	62.99	-174.23	73.33	-236.97	97.24	-344.01	95.28	-327.04	112.45	-300.40	102.96
20755	-409.07	-95.70	35.18	-146.24	53.49	-169.95	62.23	-221.56	82.06	-219.95	108.00	-251.82	114.58	-230.91	104.25
20761	-409.07	-95.70	35.18	-146.24	53.49	-169.95	62.23	-221.56	82.06	-219.95	108.00	-251.82	114.58	-230.91	104.25
20762	605.15	-48.61	102.68	-74.27	155.99	-86.45	182.45	-114.55	247.61	-112.32	358.95	-132.63	335.30	-121.34	310.57
20763	-720.10	-107.96	40.36	-163.94	61.61	-191.89	71.80	-260.98	96.65	-377.97	93.58	-353.10	111.89	-327.72	104.87
20765	-91.58	-107.96	74.91	-164.95	114.40	-191.73	133.30	-250.38	179.20	-248.28	250.40	-288.79	245.05	-262.29	221.61
20771	-91.58	-107.96	74.91	-164.95	114.40	-191.73	133.30	-250.38	179.20	-248.28	250.40	-288.79	245.05	-262.29	221.61
20772	548.47	-37.70	91.49	-57.57	139.12	-67.07	162.64	-90.47	220.49	-87.59	320.31	-104.99	292.07	-98.40	274.30
20773	-673.68	-105.50	42.06	-160.23	64.22	-187.56	74.96	-254.36	101.79	-363.89	98.04	-335.14	118.72	-315.08	111.43
20775	279.18	-124.94	123.50	-190.90	188.90	-222.02	220.12	-291.59	300.05	-287.79	433.48	-338.58	400.09	-307.86	376.33
20781	149.24	-66.79	66.02	-102.05	100.98	-118.68	117.67	-155.88	160.39	-153.84	231.72	-180.99	213.87	-164.57	201.17
20782	553.69	-43.16	97.65	-65.89	148.48	-76.91	173.45	-104.43	233.82	-100.59	336.43	-121.81	315.04	-114.32	287.40
20783	-566.70	-95.98	42.87	-145.67	65.46	-170.51	76.40	-230.28	103.76	-321.35	99.93	-307.05	121.14	-282.06	113.76
20785	331.08	-70.11	87.39	-107.12	133.75	-124.61	155.86	-164.07	213.06	-161.63	318.07	-191.59	291.09	-174.21	268.87
20791	319.38	-67.63	84.30	-103.33	129.02	-120.21	150.35	-158.27	205.53	-155.92	306.83	-184.82	280.80	-168.05	259.37
20792	475.06	-47.16	94.68	-72.00	143.80	-84.04	168.16	-114.14	225.87	-109.91	313.39	-133.25	296.11	-125.13	273.92
20793	-388.85	-80.24	40.33	-121.71	61.58	-142.52	71.87	-191.73	97.63	-265.12	94.00	-254.56	114.09	-233.65	107.19
20795	484.03	-73.99	107.98	-113.05	165.12	-131.60	192.54	-174.60	263.78	-171.04	405.54	-203.69	365.16	-186.13	335.44
20801	531.61	-81.26	118.59	-124.16	181.35	-144.54	211.47	-191.76	289.71	-187.85	445.40	-223.71	401.05	-204.42	368.41
20802	336.30	-54.99	98.52	-83.97	149.28	-98.00	174.66	-133.12	232.31	-128.18	311.87	-155.57	305.25	-146.15	277.63
20803	-166.55	-62.62	35.01	-94.78	53.47	-110.87	62.40	-146.96	84.77	-196.06	81.61	-193.61	99.18	-176.01	93.22
20805	637.11	-86.02	137.55	-131.38	210.19	-153.00	245.29	-205.07	334.89	-199.52	529.80	-238.34	467.20	-219.78	433.34
20811	592.64	-80.01	127.95	-122.21	195.52	-142.32	228.17	-190.75	311.52	-185.59	492.81	-221.70	434.58	-204.44	403.09
20812	43.40	-49.38	77.05	-75.18	116.67	-87.50	136.41	-117.82	179.36	-114.43	221.67	-137.85	225.25	-129.56	204.06
20813	31.81	-49.32	36.30	-74.71	55.08	-87.30	63.76	-114.94	82.15	-137.17	83.11	-142.02	97.08	-128.48	85.42
20815	596.73	-86.20	135.53	-131.73	207.11	-153.50	241.84	-208.55	329.07	-200.71	536.25	-244.20	465.16	-228.83	429.11
20821	606.96	-87.67	137.86	-133.99	210.66	-156.13	245.99	-212.12	334.71	-204.15	545.45	-248.39	473.14	-232.75	436.47
20822	-237.88	-57.43	61.40	-87.36	92.86	-101.43	108.46	-132.67	140.74	-132.70	141.72	-161.94	154.10	-155.51	142.38
20823	-131.98	-70.02	5.04	-104.55	7.52	-116.08	8.44	-100.90	7.51	-126.62	9.29	-126.69	9.38	-100.86	7.42
20824	522.72	-38.71	72.66	-58.58	110.34	-68.17	127.88	-87.21	167.62	-88.75	254.26	-93.77	241.05	-84.66	195.00
20825	384.60	-118.05	142.63	-180.50	218.11	-210.50	254.27	-286.00	347.28	-275.26	568.04	-335.01	493.14	-314.00	454.24
20831	431.98	-132.60	160.20	-202.74	244.99	-236.43	285.60	-321.24	390.07	-309.18	638.03	-376.29	553.90	-352.69	510.21
20833	-510.69	-57.77	23.51	-87.88	35.44	-102.07	41.22	-135.99	51.41	-218.08	53.40	-207.56	62.33	-171.23	53.63
20834	586.44	-22.87	69.31	-34.95	105.37	-40.61	122.35	-53.04	162.64	-52.59	239.23	-64.10	231.03	-56.09	192.35
20835	144.19	-138.24	143.09	-211.37	218.75	-246.49	255.20	-334.90	348.46	-322.33	554.87	-392.33	489.90	-367.77	452.48
20841	151.85	-145.58	150.69	-222.60	230.37	-259.59	268.75	-352.69	366.98	-339.46	584.35	-413.18	515.93	-387.31	476.52
20843	-500.79	-53.00	15.66	-80.61	23.92	-93.69	27.80	-125.84	36.31	-191.10	36.00	-180.26	46.67	-163.08	41.60
20844	672.44	-24.36	78.96	-37.21	120.06	-43.26	139.48	-56.76	186.73	-56.07	265.70	-67.12	249.02	-60.75	228.92
20845	-192.76	-145.21	125.60	-222.03	191.88	-258.93	223.83	-351.79	308.74	-338.59	468.96	-412.15	439.18	-386.37	402.32
20851	-236.43	-178.11	154.06	-272.33	235.34	-317.58	274.53	-431.48	378.68	-415.29	575.20	-505.52	538.66	-473.90	493.46
20853	-780.58	-82.41	23.05	-125.43	35.21	-145.81	40.93	-196.73	53.67	-288.81	53.06	-273.32	66.04	-251.00	59.86
20854	645.08	-28.15	84.01	-42.97	127.77	-50.01	148.50	-66.70	200.46	-65.17	283.16	-79.23	267.03	-72.36	246.52

2012 SOUTH TRUSS FORCES BASED ON 3D MODEL STAAD OUTPUT

TRUSS MEMBER ENVELOPE FORCES TRANSFERRED TO GUSSET PLATE (KIPS)															
Member	Dead	2F1		3F1		4F1		5C1		(HS20-44)		HS-20 Truck Train		5C1 Truck Train	
		Compr.	Tens.	Compr.	Tens.	Compr.	Tens.	Compr.	Tens.	Compr.	Tens.	Compr.	Tens.	Compr.	Tens.
20855	-640.27	-167.61	122.50	-256.28	187.15	-298.86	218.49	-406.05	300.71	-400.30	418.67	-494.34	423.69	-460.41	389.26
20861	-643.92	-168.57	123.20	-257.74	188.22	-300.57	219.74	-408.37	302.43	-402.59	421.06	-497.16	426.11	-463.04	391.49
20863	-801.65	-96.37	29.07	-146.63	44.38	-170.49	51.65	-231.34	68.88	-329.13	67.30	-312.11	81.81	-288.20	74.70
20864	554.78	-40.05	91.29	-61.24	138.79	-71.42	161.26	-97.04	218.01	-93.39	316.22	-113.60	295.95	-106.44	272.15
20865	-983.48	-154.44	93.63	-236.14	143.07	-275.38	167.01	-374.14	228.22	-451.46	310.38	-518.81	340.64	-474.46	306.84
20871	-965.33	-151.59	91.90	-231.78	140.43	-270.29	163.92	-367.24	224.01	-443.13	304.65	-509.23	334.35	-465.71	301.18
20873	-706.20	-102.82	40.31	-156.43	61.64	-181.88	71.88	-246.56	97.67	-356.35	94.00	-330.24	114.33	-309.57	107.13
20874	465.21	-69.18	110.54	-105.77	168.03	-123.34	195.35	-167.59	263.67	-161.30	380.84	-196.26	353.11	-183.91	329.25
20875	-1220.98	-135.27	69.53	-206.83	106.48	-241.20	124.30	-327.71	172.83	-479.91	246.80	-505.54	294.11	-455.68	259.94
20881	-1302.52	-144.30	74.17	-220.64	113.59	-257.30	132.60	-349.59	184.37	-511.96	263.29	-539.31	313.75	-486.11	277.30
20883	-546.73	-107.80	60.19	-163.84	92.03	-190.33	107.32	-257.09	145.82	-367.82	140.35	-346.61	170.77	-320.91	160.03
20884	253.64	-76.23	100.58	-116.55	152.70	-135.92	177.57	-184.67	237.72	-177.74	331.71	-216.30	320.32	-202.72	292.32
20885	-1512.07	-128.69	63.74	-196.76	97.57	-229.45	114.10	-312.47	161.20	-545.25	232.34	-527.18	293.97	-474.91	256.55
20891	-1274.38	-108.46	53.72	-165.83	82.23	-193.38	96.16	-263.35	135.86	-459.54	195.82	-444.31	247.76	-400.25	216.22
20893	-360.93	-97.31	64.25	-147.81	98.24	-171.72	114.56	-230.12	155.67	-316.85	149.82	-309.84	182.29	-283.33	170.83
20894	-66.00	-88.22	88.87	-134.88	134.84	-157.29	156.87	-213.72	208.11	-205.69	278.17	-250.29	281.08	-234.58	255.81
20895	-1428.08	-100.84	52.86	-154.11	80.90	-180.27	94.66	-251.09	134.38	-488.35	181.07	-442.64	245.12	-394.56	209.68
20901	-2215.98	-156.48	82.02	-239.14	125.53	-279.72	146.89	-389.63	208.52	-757.79	280.97	-686.85	380.35	-612.25	325.36
20903	289.42	-99.05	143.97	-151.41	219.96	-176.20	256.24	-236.96	345.23	-282.80	335.01	-306.61	405.09	-277.89	379.44
20905	-2378.69	-193.80	23.92	-296.09	36.41	-345.39	42.23	-467.95	55.88	-710.96	55.06	-674.69	77.67	-597.05	59.72
20911	-1384.21	-112.78	13.92	-172.30	21.19	-200.99	24.57	-272.31	32.52	-413.72	32.04	-392.62	45.20	-347.44	34.75
20912	-406.83	-67.38	56.12	-102.90	85.07	-119.75	96.89	-159.29	93.87	-169.42	119.85	-191.51	82.23	-175.55	64.27
20913	-148.08	-75.53	25.43	-114.35	38.69	-131.96	45.05	-148.42	58.24	-168.56	58.95	-145.17	69.21	-109.28	62.06
20915	-1157.82	-101.91	9.60	-155.77	14.64	-181.53	16.97	-245.60	22.62	-353.59	22.18	-341.44	36.08	-304.76	28.13
20921	-1303.11	-114.70	10.81	-175.32	16.48	-204.31	19.10	-276.42	25.45	-397.97	24.97	-384.29	40.61	-343.00	31.66
20922	21.82	-30.76	64.43	-46.76	97.65	-54.40	111.76	-70.47	114.91	-71.11	139.57	-85.66	102.84	-77.58	82.26
20923	-371.48	-81.80	6.71	-123.85	10.20	-142.96	11.77	-162.46	13.52	-182.78	15.03	-189.44	17.31	-158.58	14.20
20925	-1076.56	-103.22	8.54	-157.89	13.13	-183.72	15.27	-247.78	20.62	-338.43	19.96	-330.38	34.85	-295.42	27.42
20931	-1488.51	-142.71	11.81	-218.30	18.16	-254.02	21.11	-342.60	28.52	-467.93	27.59	-456.80	48.18	-408.46	37.91
20932	280.50	-5.64	70.20	-8.55	106.35	-9.86	122.05	-10.40	127.71	-12.46	153.24	-14.18	153.61	-12.33	129.31
20933	-506.32	-81.11	7.39	-122.77	11.17	-141.90	12.99	-163.11	14.86	-211.13	16.63	-217.85	25.38	-188.32	21.62
20935	-1274.39	-134.18	11.06	-205.02	16.95	-238.75	19.71	-319.42	26.42	-412.62	25.79	-413.36	44.96	-366.39	34.62
20941	-1094.00	-115.19	9.49	-176.00	14.55	-204.96	16.92	-274.20	22.68	-354.21	22.14	-354.85	38.59	-314.52	29.72
20942	503.06	-6.97	79.69	-10.63	120.74	-12.17	138.72	-12.85	147.95	-15.33	204.80	-21.15	197.14	-19.62	172.57
20943	-490.87	-58.60	5.09	-88.67	7.68	-103.03	8.97	-129.51	10.79	-183.75	11.54	-171.88	19.81	-156.81	17.59
20945	-796.31	-93.08	7.85	-141.85	11.97	-165.23	13.98	-217.67	18.42	-265.54	18.29	-279.57	30.39	-248.02	24.32
20951	-1244.24	-145.44	12.27	-221.64	18.70	-258.18	21.85	-340.10	28.78	-414.91	28.58	-436.83	47.49	-387.53	38.00
20952	629.51	-6.78	77.05	-10.22	116.59	-11.94	135.15	-15.54	175.63	-15.43	236.15	-28.48	233.44	-22.75	201.29
20953	-529.45	-62.35	5.47	-94.48	8.27	-110.67	9.68	-147.99	12.98	-198.66	12.61	-196.22	23.93	-170.18	19.04
20955	-662.58	-85.54	6.96	-129.34	10.50	-151.34	12.32	-198.57	16.24	-225.42	16.06	-251.39	26.80	-226.94	21.86
20961	-662.58	-85.54	6.96	-129.34	10.50	-151.34	12.32	-198.57	16.24	-225.42	16.06	-251.39	26.80	-226.94	21.86
20962	706.98	-7.89	89.87	-11.93	135.88	-13.95	159.04	-18.52	209.14	-18.15	266.06	-32.86	267.71	-26.31	241.31
20963	-649.47	-89.32	7.83	-135.04	11.84	-158.04	13.84	-207.76	18.38	-264.30	18.01	-265.99	32.61	-239.71	26.10
20965	0.14	0.05	0.05	0.05	0.05	0.05	0.05	0.05	0.05	0.05	0.05	0.05	0.05	0.05	0.05
20971	0.14	0.05	0.05	0.05	0.05	0.05	0.05	0.05	0.05	0.05	0.05	0.05	0.05	0.05	0.05
20972	523.06	-7.09	79.74	-10.67	120.59	-12.52	140.72	-16.22	181.22	-16.23	218.42	-25.89	224.11	-22.13	202.22
20973	-512.82	-80.53	7.17	-121.78	10.79	-142.12	12.66	-183.02	16.41	-220.62	16.41	-226.36	26.19	-204.26	22.40
20975	585.88	-7.08	90.00	-10.62	136.12	-12.51	158.76	-15.99	203.73	-16.24	217.89	-24.42	249.45	-20.22	224.83
20981	365.82	-4.42	56.20	-6.63	84.99	-7.81	99.13	-9.99	127.21	-10.14	136.05	-15.25	155.75	-12.62	140.38
20982	606.18	-15.21	107.30	-21.60	161.98	-24.34	188.69	-26.99	236.90	-29.47	265.44	-34.74	287.27	-27.96	248.73
20983	-374.18	-69.31	10.43	-104.62	14.81	-121.89	16.66	-153.05	18.16	-171.08	19.92	-185.61	23.07	-160.60	18.55
20985	550.41	-6.36	83.36	-9.74	127.10	-11.28	147.57	-14.38	188.64	-14.65	203.22	-20.83	224.36	-16.99	202.05
20991	550.16	-6.36	83.32	-9.73	127.04	-11.28	147.50	-14.38	188.55	-14.64	203.12	-20.82	224.25	-16.98	201.96
20992	394.40	-28.69	90.36	-42.15	135.99	-46.95	158.23	-41.01	191.58	-58.17	205.18	-48.40	229.36	-32.78	185.39
20993	-226.28	-56.42	19.53	-84.88	28.67	-98.80	31.91	-119.65	27.42	-128.11	39.48	-143.29	32.01	-115.34	21.59

2012 SOUTH TRUSS FORCES BASED ON 3D MODEL STAAD OUTPUT

Member	TRUSS MEMBER ENVELOPE FORCES TRANSFERRED TO GUSSET PLATE (KIPS)															
	Dead	2F1		3F1		4F1		5C1		(HS20-44)		HS-20 Truck Train		5C1 Truck Train		
		Compr.	Tens.	Compr.	Tens.	Compr.	Tens.	Compr.	Tens.	Compr.	Tens.	Compr.	Tens.	Compr.	Tens.	
20995	652.60	-7.00	97.22	-10.75	148.37	-12.46	172.02	-16.01	218.95	-16.09	238.23	-22.70	257.16	-18.82	234.97	
21001	603.65	-6.47	89.93	-9.94	137.24	-11.52	159.12	-14.81	202.53	-14.88	220.36	-21.00	237.88	-17.41	217.35	
21002	156.77	-47.25	73.32	-70.54	109.83	-80.12	127.42	-80.83	145.47	-101.94	163.98	-74.56	169.54	-56.03	118.96	
21003	-128.07	-74.08	5.48	-110.59	8.17	-122.79	9.16	-106.68	8.11	-133.91	10.05	-134.32	10.08	-85.29	3.28	
21004	92.73	-54.32	66.15	-80.67	99.36	-93.40	113.78	-95.92	129.71	-118.78	146.67	-87.13	141.54	-70.58	99.63	
21005	620.79	-6.71	92.22	-10.26	140.90	-11.87	163.43	-15.27	207.95	-15.30	226.26	-21.70	243.82	-18.03	222.68	
21011	686.34	-7.42	101.96	-11.35	155.78	-13.13	180.69	-16.88	229.90	-16.92	250.15	-23.99	269.56	-19.93	246.19	
21013	-184.50	-51.39	23.40	-77.58	34.27	-89.34	39.26	-108.08	33.28	-115.98	48.61	-125.68	31.54	-98.66	21.45	
21014	358.48	-33.66	87.12	-48.98	131.49	-56.48	151.42	-48.32	183.52	-69.92	196.59	-46.16	213.85	-31.31	169.31	
21015	574.64	-6.69	86.93	-10.27	132.25	-11.91	153.60	-15.22	196.69	-15.28	211.75	-21.94	233.98	-17.95	210.26	
21021	583.75	-6.80	88.31	-10.43	134.34	-12.10	156.03	-15.46	199.81	-15.52	215.11	-22.28	237.69	-18.23	213.60	
21023	-351.79	-66.17	11.38	-100.12	16.58	-115.65	17.99	-145.51	20.33	-157.11	21.97	-174.16	20.31	-149.51	15.32	
21024	590.98	-17.37	105.46	-25.36	159.57	-27.44	184.31	-31.37	231.97	-33.81	251.17	-31.64	277.76	-23.89	238.65	
21025	393.91	-4.94	60.58	-7.44	91.78	-8.63	106.17	-10.95	136.96	-11.20	146.43	-16.85	167.41	-13.90	152.08	
21031	485.39	-6.08	74.65	-9.17	113.10	-10.64	130.83	-13.49	168.77	-13.80	180.43	-20.76	206.29	-17.13	187.40	
21033	-495.35	-77.25	6.18	-117.12	9.32	-135.63	10.80	-175.10	13.95	-207.62	14.14	-214.01	20.33	-194.22	17.64	
21034	529.65	-6.39	79.94	-9.63	121.21	-11.16	140.36	-14.41	181.21	-14.61	214.89	-21.05	221.50	-18.26	201.03	
21035	0.10	0.05	0.05	0.05	0.05	0.05	0.05	0.05	0.05	0.05	0.05	0.05	0.05	0.05	0.05	
21041	0.14	0.05	0.05	0.05	0.05	0.05	0.05	0.05	0.05	0.05	0.05	0.05	0.05	0.05	0.05	
21043	-640.38	-83.74	6.27	-127.22	9.41	-147.57	10.89	-193.69	14.57	-244.01	14.27	-246.76	25.86	-222.26	20.30	
21044	693.45	-5.95	86.77	-8.93	131.88	-10.35	153.02	-13.65	201.26	-13.53	253.94	-25.71	256.49	-19.62	230.83	
21045	-732.11	-92.49	6.79	-140.47	10.31	-162.95	11.98	-214.79	16.03	-246.91	15.78	-274.57	28.33	-247.21	22.75	
21051	-534.55	-67.53	4.95	-102.57	7.53	-118.98	8.75	-156.83	11.70	-180.28	11.52	-200.48	20.69	-180.50	16.61	
21053	-454.67	-52.37	3.78	-79.72	5.70	-92.71	6.62	-124.52	8.97	-167.09	8.64	-165.77	17.94	-142.81	13.82	
21054	623.80	-5.51	76.88	-8.38	115.45	-9.69	133.81	-12.47	172.52	-12.15	231.51	-24.59	229.95	-18.90	196.40	
21055	-1111.33	-127.88	10.18	-194.17	15.53	-226.56	18.15	-299.71	24.22	-369.87	23.59	-388.18	42.95	-344.52	33.56	
21061	-806.46	-92.80	7.39	-140.90	11.27	-164.41	13.17	-217.49	17.58	-268.40	17.12	-281.69	31.17	-250.01	24.35	
21063	-470.42	-57.56	4.19	-86.84	6.34	-100.46	7.37	-124.63	8.70	-175.09	9.29	-160.65	17.68	-146.72	14.32	
21064	544.24	-5.86	82.19	-8.99	123.69	-10.33	142.51	-10.82	154.71	-12.73	212.86	-20.56	198.15	-16.50	175.54	
21065	-1156.23	-120.95	10.00	-184.63	15.36	-215.01	17.88	-288.07	23.88	-375.61	23.28	-375.03	42.43	-331.40	33.63	
21071	-1185.43	-124.00	10.25	-189.29	15.74	-220.44	18.34	-295.35	24.48	-385.10	23.87	-384.50	43.50	-339.77	34.48	
21073	-543.30	-82.33	6.33	-123.68	9.61	-143.35	11.16	-167.28	12.81	-217.63	14.01	-222.42	21.59	-194.32	18.54	
21074	283.59	-5.42	72.31	-8.33	109.03	-9.57	125.14	-9.92	131.21	-11.79	155.29	-11.96	155.73	-10.68	131.90	
21075	-1405.50	-135.10	12.10	-206.79	18.50	-240.83	21.48	-324.81	28.39	-447.99	27.86	-436.93	51.31	-390.77	41.10	
21081	-1461.69	-140.50	12.58	-215.06	19.24	-250.45	22.34	-337.80	29.53	-465.90	28.97	-454.40	53.37	-406.39	42.74	
21083	-353.13	-79.19	6.69	-118.94	10.16	-137.77	11.80	-157.13	13.62	-175.01	14.83	-182.36	16.66	-148.24	14.06	
21084	-160.54	-46.24	61.09	-70.14	92.27	-81.70	105.20	-107.56	101.53	-106.65	128.72	-136.54	90.41	-123.19	70.69	
21085	-1592.76	-141.87	13.50	-216.95	20.59	-252.83	23.96	-341.95	31.69	-496.78	31.08	-478.58	57.21	-426.54	45.93	
21091	-1473.51	-131.25	12.49	-200.71	19.05	-233.90	22.17	-316.35	29.32	-459.58	28.76	-442.75	52.92	-394.60	42.50	
21093	-28.47	-75.31	36.85	-113.36	55.88	-130.66	64.99	-144.05	84.57	-164.08	84.62	-120.93	106.91	-96.99	96.39	
21094	-400.69	-67.95	57.29	-103.58	86.54	-120.64	98.74	-160.68	95.93	-175.21	121.03	-201.15	87.41	-182.78	68.68	
21095	-1643.11	-136.08	16.23	-208.01	24.76	-242.34	28.84	-328.21	38.10	-503.08	37.43	-475.32	62.55	-420.85	50.30	
21101	-2549.65	-211.16	25.18	-322.77	38.41	-376.04	44.75	-509.29	59.12	-780.65	58.08	-737.56	97.05	-653.05	78.06	
21103	-132.23	-99.50	136.49	-151.95	208.54	-176.78	242.84	-237.04	327.10	-298.96	316.88	-308.53	387.99	-282.86	361.90	
21105	-1852.95	-152.71	92.94	-233.57	142.47	-272.70	167.11	-375.74	243.14	-683.27	298.31	-666.26	436.24	-592.23	392.06	
21111	-1085.30	-89.44	54.44	-136.80	83.44	-159.73	97.88	-220.07	142.41	-400.20	174.72	-390.24	255.51	-346.88	229.64	
21112	194.63	-84.84	89.38	-129.59	135.94	-151.17	157.86	-205.53	210.53	-197.61	297.38	-240.64	290.77	-225.70	268.86	
21113	-541.36	-93.66	59.74	-142.53	91.25	-165.47	106.45	-220.50	144.77	-311.80	139.17	-299.39	169.51	-275.13	159.00	
21115	-880.77	-93.78	53.60	-143.23	82.14	-167.07	96.35	-227.06	140.30	-363.95	181.80	-373.34	247.81	-336.85	223.63	
21121	-1040.80	-110.81	63.34	-169.26	97.07	-197.42	113.86	-268.31	165.79	-430.08	214.83	-441.17	292.83	-398.06	264.26	
21122	451.32	-74.73	96.93	-114.15	147.61	-133.15	171.61	-181.03	230.46	-174.06	336.07	-211.97	310.48	-198.81	291.54	
21123	-704.03	-95.57	49.80	-145.65	76.07	-169.23	88.74	-227.11	120.69	-327.13	116.01	-306.05	141.33	-287.15	132.57	
21125	-798.23	-118.92	67.05	-181.65	102.38	-211.85	119.57	-287.87	171.47	-395.88	242.14	-433.07	297.12	-391.08	269.01	
21131	-650.41	-96.90	54.63	-148.01	83.42	-172.62	97.43	-234.56	139.72	-322.57	197.30	-352.87	242.10	-318.66	219.19	
21132	507.07	-45.29	76.14	-69.19	116.13	-80.71	134.99	-109.76	181.97	-105.51	266.88	-128.53	242.17	-120.56	231.44	

2012 SOUTH TRUSS FORCES BASED ON 3D MODEL STAAD OUTPUT

TRUSS MEMBER ENVELOPE FORCES TRANSFERRED TO GUSSET PLATE (KIPS)																
Member	Dead	2F1		3F1		4F1		5C1		(HS20-44)		HS-20 Truck Train		5C1 Truck Train		
		Compr.	Tens.	Compr.	Tens.	Compr.	Tens.	Compr.	Tens.	Compr.	Tens.	Compr.	Tens.	Compr.	Tens.	
21133	-829.15	-90.06	31.03	-137.55	47.41	-159.83	55.31	-214.92	75.28	-310.77	72.32	-284.82	88.20	-272.26	82.78	
21135	-428.57	-104.16	68.16	-159.10	103.96	-185.54	121.69	-252.10	168.85	-292.02	234.91	-342.69	248.09	-313.87	225.86	
21141	-563.30	-136.90	89.58	-209.11	136.64	-243.86	159.94	-331.35	221.93	-383.81	308.76	-450.41	326.08	-412.53	296.85	
21142	751.54	-32.93	85.36	-50.32	130.35	-58.70	151.44	-79.90	203.39	-76.75	293.53	-93.60	277.75	-87.86	256.39	
21143	-883.78	-79.88	10.99	-122.00	16.68	-141.61	19.33	-188.85	25.83	-281.75	25.33	-263.77	43.39	-236.94	37.84	
21145	-208.40	-135.90	102.63	-207.59	156.74	-242.09	183.37	-328.94	255.73	-317.19	366.82	-395.50	361.70	-367.82	340.19	
21151	-239.62	-156.26	118.01	-238.68	180.22	-278.35	210.84	-378.21	294.03	-364.70	421.76	-454.73	415.87	-422.91	391.14	
21152	779.78	-10.31	72.95	-15.75	111.41	-18.42	129.37	-25.46	172.53	-24.21	249.02	-36.66	227.66	-33.43	206.32	
21153	-813.86	-67.16	12.69	-102.52	19.29	-118.98	22.32	-159.47	28.45	-257.52	29.09	-239.80	40.52	-214.36	34.29	
21155	167.39	-159.40	137.47	-243.48	210.04	-283.96	245.61	-385.85	342.91	-371.15	532.21	-451.69	491.88	-423.54	457.60	
21161	138.62	-132.01	113.85	-201.65	173.95	-235.17	203.41	-319.55	283.99	-307.37	440.76	-374.07	407.36	-350.76	378.97	
21162	753.86	-14.76	64.77	-22.38	98.82	-25.92	114.71	-33.20	152.99	-33.90	235.28	-36.48	213.58	-31.55	197.03	
21163	-498.03	-37.55	14.45	-57.24	21.91	-66.53	25.37	-88.98	32.48	-163.61	33.21	-131.22	34.61	-120.36	31.15	
21165	411.80	-101.77	102.03	-155.45	155.76	-181.30	181.91	-246.38	250.91	-236.97	452.26	-288.43	354.20	-270.47	331.80	
21171	397.36	-98.20	98.45	-150.00	150.30	-174.94	175.53	-237.74	242.11	-228.66	436.41	-278.32	341.79	-260.99	320.16	
21172	644.92	-23.67	50.50	-35.83	76.92	-41.46	89.54	-53.06	119.00	-54.31	208.49	-52.28	179.15	-45.19	145.66	
21173	-557.52	-45.03	23.40	-68.59	35.43	-79.87	41.00	-106.12	52.53	-189.38	53.72	-161.64	52.57	-131.03	45.70	
21175	551.42	-79.06	91.16	-120.75	139.16	-140.84	162.56	-191.43	223.32	-184.10	411.05	-224.11	319.34	-210.17	297.49	
21181	599.08	-85.89	99.04	-131.19	151.19	-153.02	176.61	-207.97	242.62	-200.01	446.57	-243.48	346.94	-228.34	323.20	
21182	595.85	-33.78	54.87	-51.17	83.56	-59.16	97.19	-76.16	127.81	-77.54	209.83	-68.83	177.85	-57.79	141.47	
21183	-101.94	-55.90	9.94	-82.50	14.68	-91.22	16.21	-79.44	13.91	-99.22	17.87	-99.79	17.72	-79.41	6.56	
21184	-386.41	-48.42	42.35	-73.73	64.05	-85.75	74.36	-111.88	96.78	-147.22	97.19	-131.94	79.98	-127.48	79.45	
21185	902.35	-69.58	103.58	-106.28	158.30	-123.98	184.76	-168.57	253.49	-162.06	462.20	-197.40	357.54	-185.15	334.09	
21191	919.51	-70.90	105.55	-108.30	161.31	-126.33	188.27	-171.78	258.31	-165.15	470.99	-201.15	364.34	-188.67	340.44	
21193	187.10	-35.59	33.19	-53.86	50.49	-62.56	58.50	-82.07	74.84	-81.85	78.58	-83.50	87.42	-76.43	72.45	
21194	-120.32	-41.59	55.03	-63.52	83.34	-73.52	96.88	-96.28	127.30	-96.09	137.60	-110.06	140.83	-101.52	129.28	
21195	958.18	-59.37	99.62	-90.69	152.24	-105.80	177.72	-143.91	243.92	-138.32	432.92	-168.54	340.24	-158.10	318.11	
21201	1080.94	-66.98	112.38	-102.31	171.74	-119.35	200.48	-162.34	275.17	-156.04	488.38	-190.13	383.83	-178.35	358.87	
21203	-16.09	-46.87	29.48	-71.09	45.13	-82.58	52.49	-109.01	69.68	-133.98	72.39	-113.02	82.08	-119.93	76.99	
21204	176.57	-42.27	69.18	-64.63	105.07	-75.39	122.04	-102.52	162.05	-106.27	222.65	-120.71	180.81	-113.22	184.76	
21205	1044.11	-53.54	100.87	-81.80	154.18	-95.42	179.92	-129.85	246.93	-124.76	426.29	-152.10	343.15	-142.70	316.15	
21211	894.81	-45.89	86.45	-70.11	132.13	-81.78	154.20	-111.28	211.62	-106.92	365.33	-130.35	294.08	-122.30	270.95	
21213	-257.61	-60.22	32.75	-91.63	50.07	-106.45	58.40	-142.31	79.43	-202.54	82.35	-181.31	93.53	-167.89	87.72	
21214	462.09	-43.83	81.37	-67.02	123.91	-78.17	143.93	-106.28	192.54	-109.94	289.76	-125.08	250.89	-117.30	229.69	
21215	732.08	-31.84	67.76	-48.65	103.47	-56.75	120.67	-77.27	164.62	-74.21	275.08	-90.53	225.07	-85.00	210.49	
21221	720.04	-31.31	66.65	-47.85	101.77	-55.82	118.68	-76.00	161.91	-72.99	270.55	-89.04	221.37	-83.61	207.03	
21223	-490.82	-73.99	34.86	-112.59	53.30	-130.67	62.16	-174.39	84.52	-261.84	87.44	-229.23	99.47	-210.69	93.29	
21224	669.53	-41.49	88.77	-63.44	135.02	-73.99	156.67	-100.58	209.22	-103.85	323.74	-118.31	278.00	-110.95	254.23	
21225	580.14	-21.69	52.07	-33.16	79.31	-38.67	92.49	-52.76	125.29	-50.59	202.99	-61.76	168.43	-58.06	159.64	
21231	625.61	-23.39	56.15	-35.75	85.52	-41.70	99.74	-56.89	135.11	-54.56	218.90	-66.60	181.64	-62.61	172.15	
21233	-675.35	-82.73	33.69	-125.81	51.52	-145.94	60.09	-194.29	81.68	-295.95	84.34	-248.19	96.08	-238.51	90.11	
21234	638.72	-29.38	71.92	-44.89	109.36	-52.35	126.87	-71.14	169.20	-73.33	263.62	-83.66	218.68	-78.44	209.28	
21235	381.15	-12.36	33.97	-18.91	51.58	-22.05	60.03	-30.16	79.81	-28.86	127.13	-35.43	109.58	-33.22	101.15	
21241	571.25	-18.53	50.91	-28.33	77.30	-33.05	89.96	-45.20	119.61	-43.26	190.54	-53.10	164.24	-49.79	151.60	
21243	-834.42	-90.19	31.83	-136.98	48.64	-158.81	56.71	-210.58	77.08	-321.95	79.45	-282.39	90.64	-261.37	84.99	
21244	665.78	-24.36	68.75	-37.21	104.39	-43.40	121.05	-58.97	160.54	-60.25	247.15	-69.03	216.00	-64.73	199.78	
21245	241.25	-6.69	21.26	-10.50	32.17	-12.30	37.17	-16.50	48.92	-16.21	76.53	-19.26	68.59	-18.07	62.33	
21251	241.77	-6.71	21.31	-10.52	32.24	-12.33	37.25	-16.53	49.03	-16.25	76.69	-19.30	68.74	-18.11	62.46	
21253	-866.25	-87.93	26.55	-133.54	40.55	-154.70	47.29	-203.58	64.25	-307.24	65.79	-280.19	75.22	-252.91	70.53	
21254	686.86	-20.16	65.02	-30.80	98.74	-35.92	114.36	-48.83	150.87	-49.56	233.14	-57.17	210.25	-53.61	189.90	
21255	-9.72	-4.09	3.77	-6.26	5.77	-7.35	6.76	-10.57	9.61	-17.32	10.62	-16.57	15.27	-15.33	13.69	
21261	-13.47	-5.66	5.22	-8.69	8.00	-10.18	9.37	-14.65	13.33	-24.01	14.73	-22.97	21.17	-21.26	18.97	
21263	-910.85	-98.54	24.17	-152.90	36.92	-176.22	43.07	-237.45	58.58	-314.79	59.46	-325.02	68.71	-292.63	64.42	
21273	-646.32	-105.76	3.35	-159.65	5.12	-181.19	6.00	-255.15	8.39	-275.20	10.56	N/A	N/A	N/A	N/A	
21275	1.29	-17.11	15.03	-26.20	22.98	-30.71	26.88	-42.32	37.52	-47.81	44.43	N/A	N/A	N/A	N/A	

2012 SOUTH TRUSS FORCES BASED ON 3D MODEL STAAD OUTPUT

TRUSS MEMBER ENVELOPE FORCES TRANSFERRED TO GUSSET PLATE (KIPS)															
Member	Dead	2F1		3F1		4F1		5C1		(HS20-44)		HS-20 Truck Train		5C1 Truck Train	
		Compr.	Tens.	Compr.	Tens.	Compr.	Tens.	Compr.	Tens.	Compr.	Tens.	Compr.	Tens.	Compr.	Tens.
21281	1.29	-17.11	15.03	-26.20	22.98	-30.71	26.88	-42.32	37.52	-47.81	44.43	N/A	N/A	N/A	N/A
21282	629.93	-3.99	106.48	-6.10	160.39	-7.13	181.70	-9.63	230.75	-11.07	267.14	N/A	N/A	N/A	N/A
21283	-529.86	-91.60	3.44	-137.97	5.25	-156.31	6.14	-198.50	8.29	-229.81	9.53	N/A	N/A	N/A	N/A
21285	334.93	-0.16	53.16	-0.21	79.71	-0.21	89.60	-0.19	111.75	-0.26	118.65	N/A	N/A	N/A	N/A
21291	140.20	-0.07	22.25	-0.09	33.37	-0.09	37.51	-0.08	46.78	-0.11	49.67	N/A	N/A	N/A	N/A
21292	483.83	-10.85	92.90	-15.39	139.72	-16.29	158.28	-16.49	196.71	-19.78	214.45	N/A	N/A	N/A	N/A
21293	-376.81	-75.66	9.64	-113.80	13.65	-129.13	14.41	-160.27	14.53	-174.33	17.49	N/A	N/A	N/A	N/A
21295	272.12	-0.06	42.22	-0.08	63.46	-0.08	72.05	-0.07	92.40	-0.11	97.12	N/A	N/A	N/A	N/A
21301	612.26	-0.13	95.00	-0.18	142.78	-0.17	162.12	-0.16	207.89	-0.24	218.52	N/A	N/A	N/A	N/A
21302	296.33	-24.31	75.86	-35.74	113.78	-39.26	129.04	-31.29	154.13	-49.10	169.09	N/A	N/A	N/A	N/A
21303	-227.45	-61.68	19.83	-92.52	29.15	-104.93	32.02	-125.32	25.52	-137.48	40.04	N/A	N/A	N/A	N/A
21305	785.35	-0.86	119.97	-1.21	181.07	-1.30	206.46	-0.35	263.11	-1.48	281.92	N/A	N/A	N/A	N/A
21311	314.14	-0.35	47.99	-0.48	72.43	-0.52	82.59	-0.14	105.24	-0.59	112.77	N/A	N/A	N/A	N/A
21312	110.12	-38.07	60.55	-56.84	90.40	-63.62	101.83	-64.63	113.81	-82.27	132.70	N/A	N/A	N/A	N/A
21313	-132.58	-77.89	4.02	-114.00	5.91	-123.89	6.47	-110.40	5.72	-137.37	7.10	N/A	N/A	N/A	N/A
21314	92.90	-42.38	53.76	-62.72	80.81	-69.75	91.26	-67.69	105.87	-89.90	119.55	N/A	N/A	N/A	N/A
21315	317.54	-1.37	48.56	-2.04	73.12	-2.35	83.54	-2.44	107.50	-2.94	114.86	N/A	N/A	N/A	N/A
21321	793.85	-3.42	121.39	-5.09	182.80	-5.87	208.85	-6.10	268.74	-7.35	287.16	N/A	N/A	N/A	N/A
21323	-208.72	-53.85	21.25	-81.23	30.79	-92.53	33.46	-114.04	26.03	-121.61	41.64	N/A	N/A	N/A	N/A
21324	282.60	-26.97	68.55	-39.08	103.41	-42.47	117.79	-33.04	145.18	-52.85	154.81	N/A	N/A	N/A	N/A
21325	618.48	-2.94	95.71	-4.40	144.51	-5.02	163.94	-5.73	212.70	-6.46	224.87	N/A	N/A	N/A	N/A
21331	263.18	-1.25	40.73	-1.87	61.49	-2.14	69.76	-2.44	90.51	-2.75	95.69	N/A	N/A	N/A	N/A
21333	-357.77	-66.55	9.13	-100.63	12.55	-114.70	13.24	-146.63	13.79	-160.84	15.85	N/A	N/A	N/A	N/A
21334	482.45	-11.05	85.93	-15.23	129.91	-16.10	148.01	-16.85	189.26	-19.32	207.98	N/A	N/A	N/A	N/A
21335	134.40	-0.59	21.03	-0.88	31.83	-1.01	36.17	-1.16	47.05	-1.31	48.92	N/A	N/A	N/A	N/A
21341	315.83	-1.38	49.42	-2.08	74.80	-2.38	85.00	-2.74	110.56	-3.08	114.95	N/A	N/A	N/A	N/A
21343	-505.69	-80.73	3.18	-122.24	4.86	-139.04	5.69	-181.93	7.90	-212.45	9.20	N/A	N/A	N/A	N/A
21344	601.67	-3.68	93.68	-5.63	141.86	-6.60	161.36	-9.15	211.12	-10.66	246.53	N/A	N/A	N/A	N/A
21345	0.08	-0.37	0.36	-0.56	0.54	-0.66	0.64	-0.90	0.86	-0.95	0.93	N/A	N/A	N/A	N/A
21351	0.08	-0.37	0.36	-0.56	0.54	-0.66	0.64	-0.90	0.86	-0.95	0.93	N/A	N/A	N/A	N/A
21353	-597.75	-95.23	3.20	-144.74	4.90	-165.56	5.74	-220.46	8.08	-255.08	10.00	N/A	N/A	N/A	N/A

AS-BUILT RATING FACTORS

NORTH TRUSS

NORTH TRUSS AS-BUILT RATING FACTORS								
Panel Point	HS20 Inv	HS20 Opr	2F1 Opr	3F1 Opr	4F1 Opr	5C1 Opr	HS-20 Truck Train	5C1 Truck Train
U0	0.96	1.60	3.85	2.57	2.25	1.79	1.52	1.74
U1	0.95	1.58	3.54	2.38	2.08	1.71	1.48	1.70
U2	0.83	1.39	2.99	2.02	1.77	1.56	1.38	1.55
U3	1.34	2.24	4.62	3.17	2.80	2.74	2.38	2.75
U4	1.27	2.12	4.69	3.13	2.74	2.43	2.18	2.57
U5	2.31	3.86	6.74	4.60	4.22	4.91	3.88	4.91
U6	0.91	1.51	3.39	2.26	1.97	1.64	1.40	1.65
U7	1.18	1.97	4.81	3.19	2.77	2.22	1.86	2.15
U8	0.86	1.43	3.85	2.55	2.21	1.72	1.43	1.56
U9	1.08	1.80	4.77	3.21	2.82	2.27	1.76	1.99
U10	0.72	1.20	4.12	2.73	2.34	1.76	1.38	1.47
U11	1.02	1.70	4.49	2.99	2.61	2.02	1.70	1.85
U12	0.94	1.57	4.01	2.68	2.33	1.83	1.60	1.70
U13	0.84	1.41	3.70	2.48	2.17	1.74	1.40	1.59
U14	1.15	1.92	5.62	3.79	3.34	2.77	2.10	2.41
U15	2.41	4.02	7.01	4.79	4.39	5.10	4.02	5.03
U16	1.46	2.44	6.24	4.15	3.61	3.00	2.48	3.05
U17	1.05	1.75	4.48	2.98	2.58	2.08	1.74	1.98
U18	0.89	1.49	3.94	2.61	2.26	1.78	1.53	1.63
U19	1.11	1.85	4.74	3.14	2.72	2.14	1.76	1.94
U20	1.51	2.53	5.89	3.94	3.39	2.71	2.21	2.64
U21	0.94	1.57	3.65	2.52	2.19	1.86	1.53	1.75
U22	1.18	1.96	4.52	3.04	2.67	2.17	1.84	2.14
U23	0.93	1.55	3.33	2.25	1.97	1.72	1.50	1.73
U24	1.11	1.85	3.84	2.63	2.32	2.26	1.80	2.29
U25	2.78	4.64	8.07	5.52	5.06	5.91	4.64	5.84
U26	2.22	3.70	7.58	5.17	4.64	5.36	3.81	5.80
U27	0.75	1.24	2.68	1.80	1.59	1.51	1.25	1.54
U28	0.65	1.08	2.39	1.60	1.40	1.23	1.04	1.23
U29	0.97	1.62	3.65	2.42	2.11	1.74	1.45	1.72
U30	0.84	1.40	3.86	2.57	2.24	1.71	1.41	1.54
U31	0.93	1.56	4.17	2.78	2.42	1.86	1.57	1.71
U32	0.85	1.43	3.71	2.48	2.16	1.69	1.46	1.57
U33	1.08	1.81	4.66	3.11	2.72	2.12	1.80	1.95
U34	1.25	2.08	5.37	3.62	3.19	2.64	2.20	2.50
U35	2.62	4.37	7.62	5.21	4.78	5.55	4.39	5.70
U36	0.85	1.42	3.49	2.32	2.02	1.68	1.43	1.73
U37	0.82	1.37	3.54	2.35	2.04	1.64	1.38	1.56
U38	0.83	1.39	3.68	2.44	2.11	1.67	1.41	1.52
U39	1.01	1.69	4.33	2.87	2.48	1.95	1.60	1.77
U40	0.98	1.64	3.93	2.73	2.37	2.02	1.65	1.83
U41	1.00	1.66	4.22	2.81	2.45	1.91	1.59	1.81
U42	0.83	1.39	3.28	2.20	1.93	1.58	1.33	1.54
U43	0.84	1.40	3.01	2.04	1.78	1.55	1.33	1.54

NORTH TRUSS AS-BUILT RATING FACTORS								
Panel Point	HS20 Inv	HS20 Opr	2F1 Opr	3F1 Opr	4F1 Opr	5C1 Opr	HS-20 Truck Train	5C1 Truck Train
U44	0.95	1.59	3.29	2.25	2.00	1.94	1.64	1.93
U45	2.45	4.09	7.15	4.88	4.47	5.20	4.09	5.13
U46	0.84	1.40	3.02	2.03	1.79	1.75	1.40	1.82
U47	0.74	1.24	2.74	1.83	1.60	1.40	1.20	1.41
U48	1.33	2.23	5.02	3.33	2.89	2.39	2.02	2.33
U49	1.06	1.77	4.29	2.84	2.45	1.92	1.59	1.83
U50	0.75	1.26	3.91	2.57	2.21	1.63	1.29	1.39
U51	0.95	1.59	4.65	3.06	2.63	1.97	1.64	1.72
U52	0.99	1.65	4.81	3.17	2.73	2.06	1.71	1.84
U53	0.80	1.34	3.70	2.44	2.11	1.61	1.32	1.45
U54	0.75	1.25	3.27	2.16	1.87	1.46	1.24	1.33
U55	0.71	1.18	3.91	2.56	2.20	1.66	1.32	1.41
U56	2.18	3.64	6.48	4.39	3.97	4.56	3.64	4.54
U57	0.57	0.94	3.12	2.05	1.76	1.33	1.06	1.12
U58	0.93	1.56	4.28	2.82	2.43	1.89	1.59	1.72
U59	0.90	1.50	4.29	2.82	2.43	1.86	1.51	1.70
U60	0.97	1.61	4.61	3.03	2.61	1.97	1.62	1.76
U61	1.16	1.94	5.27	3.46	2.98	2.25	1.85	1.97
U62	0.98	1.64	4.29	2.82	2.43	1.83	1.47	1.58
U63	0.85	1.42	3.66	2.42	2.12	1.76	1.42	1.60
U64	0.83	1.38	3.52	2.33	2.00	1.58	1.30	1.49
U65	0.77	1.29	3.30	2.19	1.89	1.57	1.30	1.51
U66	0.82	1.37	3.08	2.05	1.77	1.56	1.32	1.54
U67	1.59	2.65	5.72	3.83	3.33	3.32	2.56	3.23
U68	3.47	5.79	10.41	6.99	6.29	7.22	5.78	7.32
U69	1.08	1.80	3.87	2.60	2.25	2.18	1.81	2.30
U70	0.82	1.37	3.02	2.01	1.74	1.52	1.30	1.54
U71	1.05	1.75	4.07	2.70	2.33	1.92	1.61	1.86
U72	1.01	1.68	4.16	2.75	2.38	1.88	1.56	1.78
U73	0.99	1.65	4.25	2.81	2.45	2.02	1.66	1.84
U74	0.89	1.49	5.91	3.89	3.33	2.44	1.75	1.91
U75	0.48	0.80	3.07	2.03	1.73	1.27	0.94	1.01
U76	0.68	1.14	4.44	2.93	2.51	1.84	1.36	1.46
U77	0.82	1.37	5.14	3.39	2.90	2.14	1.59	1.74
U78	1.00	1.66	6.02	3.97	3.40	2.52	1.92	2.08
U79	0.96	1.60	5.39	3.56	3.05	2.28	1.74	1.91
U80	1.72	2.88	8.43	5.57	4.78	3.62	2.88	3.18
U81	0.71	1.19	5.17	3.38	2.90	2.12	1.49	1.62
U82	3.47	5.79	10.46	7.02	6.31	7.21	5.76	7.23
U83	0.74	1.24	5.28	3.48	3.01	2.25	1.57	1.71
U84	0.92	1.54	5.88	3.87	3.33	2.50	1.78	2.11
U85	0.76	1.27	4.82	3.17	2.73	2.04	1.54	1.66
U86	0.92	1.53	5.72	3.76	3.23	2.39	1.80	1.94
U87	0.89	1.49	5.14	3.36	2.88	2.12	1.69	1.84

NORTH TRUSS AS-BUILT RATING FACTORS								
Panel Point	HS20 Inv	HS20 Opr	2F1 Opr	3F1 Opr	4F1 Opr	5C1 Opr	HS-20 Truck Train	5C1 Truck Train
U88	1.12	1.87	6.60	4.35	3.73	2.76	2.05	2.20
U89	1.13	1.88	6.36	4.19	3.60	2.69	1.98	2.17
U90	1.51	2.53	6.40	4.19	3.59	2.64	2.27	2.42
U91	3.50	5.85	12.59	8.33	7.29	7.10	7.94	9.85
U92	0.54	0.90	2.90	1.90	1.63	1.22	0.92	1.04
U93	0.91	1.52	3.83	2.53	2.21	2.07	1.53	1.77
U94	0.88	1.47	4.61	3.05	2.64	2.02	1.53	1.77
U95	0.70	1.17	4.03	2.66	2.28	1.73	1.35	1.50
U96	0.86	1.43	3.88	2.57	2.20	1.70	1.38	1.52
U97	1.03	1.71	3.98	2.64	2.27	1.80	1.48	1.72
U98	1.09	1.82	4.11	2.74	2.35	1.93	1.62	2.03
U99	0.79	1.32	3.20	2.10	1.81	1.45	1.21	1.36
U100	2.79	4.66	8.42	5.65	5.08	5.81	4.66	7.49
U101	1.11	1.85	4.49	2.94	2.53	2.03	1.69	1.91
U102	1.10	1.83	4.14	2.74	2.38	1.95	1.67	2.11
U103	0.86	1.44	3.46	2.29	1.98	1.57	1.30	1.53
U104	0.65	1.08	2.97	1.95	1.67	1.28	1.01	1.15
U105	1.15	1.92	6.13	4.03	3.46	2.58	1.94	2.25
U106	1.25	2.08	6.30	4.19	3.61	2.76	2.10	2.46
U107	0.80	1.34	3.59	2.38	2.06	1.87	1.32	1.60
U108	1.69	2.82	6.10	4.04	3.52	3.31	2.77	3.23
U109	3.11	5.20	11.33	7.50	6.52	5.93	5.76	6.40
U110	0.26	0.43	1.49	0.97	0.84	0.61	0.45	0.49
U111	1.63	2.72	7.93	5.19	4.45	3.26	2.57	2.77
U112	1.00	1.68	6.24	4.10	3.53	2.58	1.90	2.08
U113	0.42	0.71	2.67	1.75	1.51	1.10	0.82	0.91
U114	0.60	1.01	4.18	2.75	2.36	1.70	1.26	1.37
U115	0.53	0.89	3.46	2.28	1.96	1.44	1.10	1.19
U116	0.74	1.23	4.55	2.99	2.57	1.89	1.36	1.51
U117	0.60	1.01	3.44	2.27	1.95	1.46	1.06	1.24
U118	2.38	3.97	7.04	4.78	4.32	4.99	3.98	6.45
U119	0.56	0.94	3.61	2.36	2.03	1.49	1.06	1.15
U120	1.52	2.53	6.23	4.09	3.52	2.63	2.42	2.50
U121	0.49	0.82	3.10	2.03	1.74	1.27	0.92	0.99
U122	0.97	1.63	5.22	3.42	2.94	2.17	1.65	1.82
U123	1.01	1.69	5.70	3.74	3.21	2.35	1.77	1.96
U124	0.71	1.18	4.03	2.64	2.26	1.63	1.23	1.38
U125	0.86	1.44	5.04	3.30	2.82	2.02	1.49	1.62
U126	0.95	1.59	6.07	3.97	3.39	2.41	1.73	1.88
U127	0.28	0.47	1.18	0.77	0.67	0.51	N/A	N/A
U128	0.71	1.18	2.70	1.78	1.54	1.22	N/A	N/A
U129	0.75	1.26	2.85	1.89	1.64	1.35	N/A	N/A
U130	1.18	1.97	4.37	2.91	2.54	2.11	N/A	N/A
U131	1.08	1.80	4.08	2.68	2.32	1.86	N/A	N/A

NORTH TRUSS AS-BUILT RATING FACTORS								
Panel Point	HS20 Inv	HS20 Opr	2F1 Opr	3F1 Opr	4F1 Opr	5C1 Opr	HS-20 Truck Train	5C1 Truck Train
U132	1.66	2.76	6.23	4.13	3.59	2.96	N/A	N/A
U133	0.90	1.51	3.41	2.26	1.96	1.62	N/A	N/A
U134	0.73	1.23	2.85	1.89	1.63	1.29	N/A	N/A
U135	0.42	0.70	1.80	1.18	1.02	0.76	N/A	N/A
L1	0.76	1.26	3.06	2.05	1.79	1.42	1.19	1.36
L2	0.82	1.37	3.08	2.07	1.81	1.49	1.27	1.47
L3	0.77	1.28	2.74	1.85	1.63	1.43	1.27	1.42
L4	1.28	2.13	4.62	3.17	2.73	2.23	1.92	2.20
L5	0.77	1.29	2.25	1.54	1.41	1.64	1.29	1.64
L6	0.85	1.42	3.47	2.30	2.00	1.60	1.33	1.54
L7	0.86	1.43	3.85	2.55	2.21	1.72	1.43	1.56
L8	0.80	1.34	3.70	2.47	2.15	1.69	1.32	1.48
L9	0.88	1.46	3.99	2.66	2.32	1.98	1.44	1.70
L10	0.72	1.20	4.12	2.73	2.34	1.76	1.38	1.47
L11	1.18	1.97	5.50	3.66	3.18	2.42	2.00	2.19
L12	0.88	1.47	3.93	2.62	2.29	1.76	1.48	1.62
L13	0.89	1.49	3.80	2.54	2.21	1.73	1.51	1.61
L14	0.79	1.32	3.48	2.33	2.04	1.63	1.32	1.49
L15	1.04	1.73	3.01	2.06	1.89	2.19	1.73	2.16
L16	1.00	1.67	4.28	2.84	2.47	1.98	1.66	1.89
L17	0.94	1.57	4.15	2.75	2.38	1.87	1.61	1.71
L18	0.75	1.26	3.40	2.25	1.95	1.51	1.25	1.37
L19	1.11	1.86	4.90	3.24	2.81	2.18	1.80	1.98
L20	0.76	1.27	3.98	2.63	2.26	1.72	1.39	1.49
L21	1.45	2.41	5.74	3.90	3.40	3.00	2.33	2.73
L22	0.75	1.25	3.06	2.07	1.81	1.46	1.20	1.38
L23	0.89	1.49	3.43	2.30	2.02	1.65	1.39	1.62
L24	0.90	1.50	3.23	2.19	1.91	1.67	1.45	1.68
L25	0.78	1.30	2.26	1.55	1.42	1.66	1.30	1.64
L26	0.82	1.36	2.93	1.97	1.74	1.65	1.36	1.68
L27	0.78	1.30	2.89	1.93	1.69	1.48	1.26	1.49
L28	0.97	1.62	3.65	2.42	2.11	1.74	1.45	1.72
L29	1.16	1.93	4.38	2.97	2.65	2.23	1.82	2.13
L30	1.37	2.29	8.01	5.32	4.56	3.43	2.64	2.87
L31	1.02	1.71	4.70	3.13	2.72	2.08	1.72	1.88
L32	0.88	1.47	3.93	2.62	2.28	1.76	1.48	1.62
L33	0.85	1.43	3.71	2.48	2.16	1.69	1.46	1.57
L34	0.90	1.50	3.71	2.49	2.19	1.75	1.39	1.61
L35	0.85	1.42	2.99	2.04	1.87	1.68	1.43	1.73
L36	0.82	1.37	3.54	2.35	2.04	1.64	1.38	1.56
L37	0.88	1.47	3.89	2.58	2.23	1.76	1.49	1.60
L38	0.97	1.61	4.33	2.87	2.48	1.94	1.60	1.76
L39	1.11	1.86	4.56	3.03	2.62	2.07	1.72	1.89
L40	1.39	2.32	7.57	5.02	4.33	3.31	2.58	2.84

NORTH TRUSS AS-BUILT RATING FACTORS								
Panel Point	HS20 Inv	HS20 Opr	2F1 Opr	3F1 Opr	4F1 Opr	5C1 Opr	HS-20 Truck Train	5C1 Truck Train
L41	1.08	1.80	4.32	3.01	2.61	2.23	1.82	2.02
L42	0.91	1.52	3.87	2.58	2.25	1.75	1.46	1.66
L43	0.84	1.40	3.29	2.21	1.94	1.59	1.33	1.54
L44	0.84	1.40	3.01	2.04	1.78	1.55	1.33	1.54
L45	0.84	1.40	2.80	1.92	1.75	1.75	1.40	1.82
L46	0.74	1.24	2.74	1.83	1.60	1.40	1.20	1.41
L47	0.80	1.33	3.01	2.00	1.74	1.43	1.21	1.40
L48	0.97	1.62	3.94	2.61	2.25	1.77	1.46	1.68
L49	1.73	2.90	6.66	4.45	3.93	3.46	2.76	3.10
L50	2.18	3.64	13.44	8.83	7.56	5.52	4.08	4.43
L51	0.80	1.34	4.16	2.74	2.36	1.74	1.37	1.48
L52	0.57	0.95	2.83	1.86	1.60	1.19	1.00	1.05
L53	0.68	1.13	3.24	2.13	1.84	1.39	1.14	1.24
L54	0.84	1.40	3.88	2.56	2.21	1.69	1.39	1.53
L55	0.75	1.25	3.27	2.16	1.87	1.46	1.24	1.33
L56	0.93	1.55	3.49	2.36	2.09	1.68	1.43	1.72
L57	0.78	1.30	3.66	2.41	2.08	1.62	1.35	1.47
L58	0.86	1.44	4.10	2.70	2.32	1.78	1.45	1.63
L59	0.90	1.51	4.45	2.92	2.51	1.89	1.55	1.71
L60	0.58	0.97	2.83	1.86	1.60	1.20	0.99	1.04
L61	0.68	1.14	3.14	2.06	1.77	1.33	1.07	1.15
L62	1.17	1.95	6.73	4.41	3.78	2.79	2.25	2.44
L63	1.36	2.27	5.26	3.48	3.05	3.02	2.25	3.17
L64	1.12	1.87	4.81	3.18	2.78	2.31	1.87	2.11
L65	0.83	1.38	3.52	2.33	2.00	1.58	1.30	1.49
L66	0.73	1.21	3.12	2.07	1.78	1.48	1.23	1.43
L67	0.82	1.37	3.08	2.05	1.77	1.56	1.32	1.54
L68	1.28	2.14	4.37	2.94	2.64	2.59	2.15	2.73
L69	0.82	1.37	3.02	2.01	1.74	1.52	1.30	1.54
L70	0.79	1.33	3.07	2.04	1.76	1.45	1.21	1.41
L71	1.01	1.68	4.16	2.75	2.38	1.88	1.56	1.78
L72	0.90	1.51	3.88	2.56	2.24	1.85	1.51	1.68
L73	2.08	3.48	8.53	5.64	4.93	4.44	3.34	3.82
L74	1.00	1.67	6.60	4.33	3.71	2.71	1.93	2.12
L75	0.58	0.97	3.83	2.52	2.16	1.58	1.13	1.24
L76	0.90	1.50	5.79	3.81	3.26	2.40	1.77	1.91
L77	0.87	1.45	5.53	3.64	3.12	2.29	1.73	1.84
L78	0.88	1.48	5.55	3.66	3.13	2.32	1.72	1.88
L79	1.00	1.66	6.02	3.97	3.40	2.52	1.92	2.08
L80	0.91	1.52	5.14	3.40	2.91	2.18	1.66	1.82
L81	1.19	1.99	8.26	5.40	4.63	3.40	2.39	2.60
L82	0.86	1.44	4.56	3.06	2.75	2.29	1.59	1.99
L83	0.74	1.24	5.09	3.35	2.88	2.16	1.43	1.71
L84	0.70	1.17	4.77	3.13	2.70	2.01	1.41	1.55

NORTH TRUSS AS-BUILT RATING FACTORS								
Panel Point	HS20 Inv	HS20 Opr	2F1 Opr	3F1 Opr	4F1 Opr	5C1 Opr	HS-20 Truck Train	5C1 Truck Train
L85	0.77	1.29	4.83	3.17	2.73	2.02	1.52	1.64
L86	0.96	1.60	5.95	3.92	3.37	2.49	1.82	1.99
L87	1.03	1.73	6.38	4.20	3.61	2.67	1.98	2.13
L88	1.03	1.72	6.21	4.09	3.51	2.60	1.92	2.08
L89	2.05	3.42	10.70	7.01	6.01	4.42	3.56	3.89
L90	1.78	2.97	6.92	4.53	3.89	2.88	2.43	2.61
L91	2.12	3.53	9.57	6.28	5.39	4.05	3.34	3.68
L92	2.50	4.17	9.28	6.15	5.33	4.68	4.01	4.75
L93	1.29	2.15	5.53	3.66	3.17	2.75	2.08	2.38
L94	0.70	1.17	3.65	2.42	2.08	1.65	1.24	1.37
L95	0.69	1.15	3.59	2.38	2.05	1.58	1.19	1.38
L96	0.78	1.30	4.47	2.95	2.53	1.92	1.50	1.67
L97	0.81	1.35	3.66	2.43	2.08	1.61	1.31	1.44
L98	0.90	1.51	3.50	2.33	2.00	1.59	1.31	1.51
L99	0.93	1.55	3.49	2.33	2.00	1.64	1.37	1.73
L100	1.00	1.67	3.02	2.03	1.82	2.08	1.67	2.69
L101	0.98	1.64	3.71	2.46	2.13	1.75	1.50	1.91
L102	0.86	1.44	3.46	2.29	1.98	1.57	1.30	1.53
L103	0.78	1.31	3.55	2.34	2.02	1.56	1.27	1.40
L104	1.46	2.43	7.05	4.65	4.00	3.04	2.38	2.65
L105	0.81	1.36	4.34	2.85	2.45	1.83	1.37	1.59
L106	0.75	1.24	3.59	2.38	2.06	1.77	1.28	1.47
L107	0.77	1.29	3.50	2.33	2.01	1.71	1.28	1.46
L108	2.06	3.44	7.60	5.05	4.36	3.80	3.23	3.73
L109	2.32	3.88	9.94	6.51	5.59	4.19	3.38	3.72
L110	2.27	3.79	8.80	5.75	4.94	3.67	3.10	3.33
L111	1.89	3.16	9.62	6.33	5.44	4.45	3.31	3.67
L112	0.86	1.43	5.31	3.49	3.00	2.20	1.61	1.78
L113	1.40	2.34	8.58	5.64	4.86	3.56	2.66	2.99
L114	0.82	1.37	5.16	3.39	2.92	2.13	1.58	1.77
L115	0.84	1.41	5.51	3.62	3.11	2.27	1.72	1.86
L116	0.53	0.89	3.46	2.28	1.96	1.44	1.10	1.19
L117	0.78	1.30	4.43	2.92	2.51	1.88	1.36	1.60
L118	0.77	1.28	3.75	2.49	2.15	1.64	1.26	1.52
L119	0.77	1.28	4.66	3.05	2.62	1.93	1.38	1.50
L120	0.84	1.40	5.03	3.29	2.82	2.07	1.50	1.62
L121	1.01	1.68	5.04	3.30	2.84	2.09	1.65	1.78
L122	0.66	1.10	3.62	2.37	2.04	1.49	1.12	1.25
L123	0.62	1.04	3.55	2.32	1.99	1.44	1.08	1.21
L124	0.82	1.37	4.87	3.18	2.73	1.95	1.43	1.56
L125	0.76	1.26	4.65	3.04	2.60	1.84	1.33	1.44
L126	1.63	2.72	10.95	7.15	6.11	4.25	2.97	3.17
L128	0.77	1.28	3.18	2.10	1.81	1.38	N/A	N/A
L129	0.78	1.30	2.99	1.97	1.71	1.35	N/A	N/A

NORTH TRUSS AS-BUILT RATING FACTORS								
Panel Point	HS20 Inv	HS20 Opr	2F1 Opr	3F1 Opr	4F1 Opr	5C1 Opr	HS-20 Truck Train	5C1 Truck Train
L130	0.75	1.26	2.85	1.89	1.64	1.35	N/A	N/A
L131	0.78	1.31	2.31	1.58	1.44	1.63	N/A	N/A
L132	0.90	1.51	3.41	2.26	1.96	1.62	N/A	N/A
L133	0.75	1.25	2.85	1.89	1.63	1.29	N/A	N/A
L134	0.73	1.23	3.08	2.03	1.75	1.34	N/A	N/A

SOUTH TRUSS

SOUTH TRUSS AS-BUILT RATING FACTORS								
Panel Point	HS20 Inv	HS20 Opr	2F1 Opr	3F1 Opr	4F1 Opr	5C1 Opr	HS-20 Truck Train	5C1 Truck Train
U0	0.96	1.61	3.85	2.58	2.26	1.79	1.53	1.74
U1	0.96	1.60	3.55	2.38	2.09	1.72	1.49	1.70
U2	0.84	1.40	3.00	2.03	1.78	1.56	1.39	1.56
U3	1.34	2.24	4.63	3.17	2.80	2.74	2.39	2.76
U4	1.27	2.13	4.69	3.14	2.75	2.43	2.18	2.57
U5	2.75	4.59	8.01	5.47	5.02	5.83	4.61	5.84
U6	0.91	1.52	3.41	2.27	1.97	1.64	1.40	1.66
U7	1.19	1.99	4.83	3.20	2.78	2.23	1.86	2.16
U8	0.87	1.45	3.87	2.56	2.22	1.73	1.43	1.56
U9	1.09	1.81	4.79	3.22	2.83	2.27	1.77	1.99
U10	1.04	1.74	4.16	2.79	2.46	2.30	1.62	2.02
U11	1.13	1.89	4.51	3.01	2.62	2.03	1.71	1.86
U12	1.03	1.72	4.03	2.70	2.35	1.84	1.61	1.71
U13	0.90	1.50	3.73	2.50	2.19	1.75	1.41	1.60
U14	1.16	1.94	5.64	3.80	3.35	2.78	2.10	2.42
U15	2.41	4.02	7.01	4.79	4.40	5.11	4.02	5.03
U16	1.56	2.60	6.25	4.15	3.61	3.01	2.48	3.06
U17	1.16	1.93	4.50	2.99	2.60	2.09	1.75	1.99
U18	0.98	1.64	3.97	2.63	2.28	1.79	1.54	1.64
U19	1.19	1.99	4.77	3.16	2.74	2.15	1.78	1.96
U20	1.52	2.54	5.90	3.94	3.40	2.71	2.21	2.64
U21	0.95	1.59	3.66	2.53	2.19	1.86	1.53	1.76
U22	1.19	1.99	4.53	3.04	2.67	2.18	1.84	2.14
U23	0.93	1.55	3.33	2.26	1.97	1.72	1.50	1.73
U24	1.11	1.86	3.84	2.63	2.32	2.26	1.80	2.29
U25	2.78	4.64	8.08	5.52	5.06	5.92	4.64	5.84
U26	2.22	3.70	7.59	5.18	4.64	5.37	3.81	5.81
U27	0.75	1.25	2.69	1.81	1.60	1.52	1.25	1.54
U28	0.65	1.08	2.40	1.60	1.40	1.23	1.05	1.24
U29	0.97	1.62	3.66	2.43	2.11	1.74	1.46	1.72
U30	0.99	1.65	4.01	2.67	2.32	1.77	1.47	1.61
U31	1.07	1.79	4.31	2.88	2.50	1.93	1.63	1.78
U32	0.98	1.64	3.91	2.61	2.27	1.78	1.55	1.66
U33	1.25	2.09	4.89	3.27	2.85	2.23	1.90	2.05
U34	1.43	2.39	5.80	3.91	3.46	2.87	2.39	2.66
U35	3.07	5.12	8.93	6.10	5.60	6.51	5.14	6.69
U36	0.88	1.47	3.31	2.20	1.92	1.60	1.37	1.64
U37	0.90	1.50	3.50	2.32	2.02	1.62	1.37	1.55
U38	0.92	1.54	3.78	2.50	2.17	1.71	1.45	1.56
U39	1.11	1.86	4.49	2.97	2.57	2.02	1.67	1.83
U40	1.00	1.66	3.96	2.75	2.39	2.04	1.67	1.86
U41	1.02	1.71	4.30	2.87	2.50	1.95	1.62	1.85
U42	0.88	1.47	3.37	2.26	1.98	1.63	1.37	1.59
U43	0.86	1.44	3.08	2.09	1.82	1.59	1.37	1.57

SOUTH TRUSS AS-BUILT RATING FACTORS								
Panel Point	HS20 Inv	HS20 Opr	2F1 Opr	3F1 Opr	4F1 Opr	5C1 Opr	HS-20 Truck Train	5C1 Truck Train
U44	1.04	1.74	3.59	2.46	2.18	2.15	1.78	2.11
U45	3.10	5.18	9.03	6.17	5.65	6.56	5.18	6.48
U46	0.94	1.57	3.37	2.27	2.00	1.96	1.58	2.04
U47	0.84	1.41	3.10	2.07	1.82	1.60	1.37	1.62
U48	1.19	1.99	4.64	3.09	2.69	2.25	1.89	2.22
U49	1.21	2.02	5.17	3.41	2.94	2.37	1.97	2.26
U50	0.93	1.55	3.94	2.63	2.31	1.93	1.58	1.74
U51	1.06	1.76	5.11	3.36	2.90	2.23	1.89	2.02
U52	0.94	1.56	4.50	2.96	2.55	1.97	1.67	1.83
U53	0.90	1.50	4.14	2.73	2.36	1.84	1.54	1.67
U54	0.97	1.62	4.34	2.87	2.48	1.97	1.69	1.81
U55	1.72	2.88	9.67	6.35	5.45	4.13	3.35	3.56
U56	3.75	6.26	11.15	7.54	6.83	7.86	6.28	7.81
U57	1.21	2.02	5.27	3.49	3.02	2.42	1.99	2.52
U58	1.11	1.86	5.01	3.31	2.86	2.25	1.90	2.11
U59	0.93	1.56	4.39	2.90	2.51	1.96	1.62	1.85
U60	0.86	1.43	4.16	2.74	2.37	1.83	1.54	1.67
U61	1.04	1.74	5.00	3.30	2.85	2.22	1.82	2.00
U62	0.88	1.46	4.70	3.08	2.66	2.05	1.68	1.86
U63	0.88	1.47	3.76	2.48	2.17	1.81	1.46	1.66
U64	0.85	1.42	3.64	2.41	2.07	1.64	1.34	1.54
U65	0.88	1.46	3.39	2.24	1.93	1.61	1.34	1.55
U66	0.85	1.43	3.19	2.11	1.83	1.61	1.37	1.59
U67	1.62	2.70	5.90	3.91	3.42	3.42	2.61	3.34
U68	3.91	6.53	11.74	7.87	7.09	8.21	6.50	8.18
U69	1.05	1.75	3.77	2.53	2.20	2.12	1.76	2.23
U70	0.81	1.35	2.98	1.99	1.71	1.50	1.29	1.52
U71	1.08	1.80	4.05	2.69	2.32	1.91	1.61	1.91
U72	1.00	1.67	4.14	2.74	2.37	1.87	1.55	1.77
U73	1.01	1.69	4.22	2.80	2.44	2.01	1.66	1.83
U74	1.03	1.71	6.08	4.00	3.42	2.51	1.81	1.98
U75	0.53	0.88	3.08	2.03	1.73	1.28	0.94	1.02
U76	0.76	1.27	4.46	2.94	2.51	1.85	1.36	1.47
U77	0.90	1.51	5.19	3.42	2.92	2.17	1.61	1.76
U78	1.10	1.84	6.09	4.01	3.43	2.55	1.95	2.10
U79	1.04	1.73	5.48	3.62	3.09	2.32	1.77	1.94
U80	1.78	2.97	8.53	5.64	4.82	3.67	2.92	3.22
U81	0.79	1.32	5.25	3.44	2.94	2.16	1.52	1.65
U82	2.93	4.89	8.84	5.92	5.33	6.14	4.89	6.14
U83	0.82	1.36	5.21	3.43	2.96	2.26	1.57	1.75
U84	1.01	1.69	5.84	3.84	3.31	2.49	1.75	2.10
U85	0.85	1.43	4.80	3.16	2.72	2.03	1.52	1.66
U86	1.02	1.70	5.73	3.77	3.24	2.40	1.80	1.95
U87	0.96	1.60	5.06	3.31	2.84	2.09	1.71	1.86

SOUTH TRUSS AS-BUILT RATING FACTORS								
Panel Point	HS20 Inv	HS20 Opr	2F1 Opr	3F1 Opr	4F1 Opr	5C1 Opr	HS-20 Truck Train	5C1 Truck Train
U88	1.16	1.93	6.66	4.38	3.77	2.79	2.09	2.24
U89	1.17	1.95	6.44	4.24	3.65	2.72	2.02	2.22
U90	1.70	2.83	6.60	4.32	3.70	2.72	2.33	2.48
U91	3.45	5.76	12.48	8.24	7.20	7.00	7.82	9.78
U92	0.53	0.89	2.80	1.83	1.57	1.17	0.90	1.01
U93	0.87	1.46	3.74	2.47	2.15	2.01	1.51	1.73
U94	0.89	1.48	4.54	3.00	2.59	1.99	1.50	1.74
U95	0.80	1.34	3.95	2.61	2.23	1.70	1.33	1.47
U96	0.76	1.27	3.49	2.31	1.98	1.53	1.24	1.38
U97	0.78	1.30	3.22	2.13	1.83	1.46	1.20	1.39
U98	0.97	1.62	3.67	2.44	2.10	1.73	1.45	1.79
U99	0.98	1.63	4.08	2.68	2.30	1.85	1.54	1.74
U100	2.84	4.75	8.58	5.75	5.18	5.96	4.73	7.45
U101	0.98	1.63	4.08	2.68	2.30	1.85	1.53	1.74
U102	1.12	1.87	4.22	2.80	2.43	2.00	1.72	2.17
U103	0.86	1.43	3.42	2.26	1.96	1.55	1.30	1.51
U104	0.85	1.42	3.81	2.52	2.17	1.68	1.38	1.52
U105	0.81	1.36	3.98	2.62	2.26	1.71	1.35	1.50
U106	0.72	1.20	3.61	2.40	2.07	1.61	1.21	1.41
U107	1.00	1.68	4.34	2.89	2.51	2.31	1.80	2.03
U108	1.42	2.37	5.08	3.37	2.94	2.80	2.36	2.79
U109	3.11	5.20	11.33	7.52	6.53	5.49	4.33	4.79
U110	0.36	0.60	1.99	1.30	1.11	0.82	0.61	0.66
U111	1.74	2.90	8.44	5.52	4.73	3.48	2.73	2.97
U112	1.42	2.37	8.12	5.33	4.59	3.42	2.54	2.70
U113	0.72	1.20	4.14	2.71	2.33	1.74	1.27	1.38
U114	1.40	2.35	8.27	5.42	4.67	3.50	2.50	2.79
U115	0.82	1.38	5.00	3.27	2.82	2.11	1.51	1.64
U116	1.91	3.19	13.16	8.64	7.42	5.59	3.71	4.33
U117	1.25	2.08	8.30	5.45	4.69	3.57	2.44	3.01
U118	4.22	7.05	12.51	8.47	7.66	8.80	7.01	8.81
U119	0.72	1.20	5.39	3.53	3.02	2.21	1.56	1.68
U120	4.87	8.14	21.19	13.87	11.98	9.15	8.01	8.68
U121	0.63	1.04	4.55	2.98	2.55	1.86	1.33	1.43
U122	0.94	1.57	5.55	3.65	3.14	2.35	1.79	1.95
U123	0.85	1.41	5.15	3.39	2.92	2.18	1.64	1.80
U124	1.20	2.00	7.34	4.83	4.16	3.12	2.41	2.52
U125	0.80	1.33	4.78	3.14	2.71	2.04	1.52	1.64
U126	0.53	0.88	3.17	2.09	1.80	1.37	0.98	1.09
U127	0.34	0.56	1.46	0.97	0.85	0.61	N/A	N/A
U128	0.29	0.48	1.21	0.80	0.71	0.56	N/A	N/A
U129	0.77	1.29	2.96	1.97	1.74	1.40	N/A	N/A
U130	1.19	1.99	4.43	2.95	2.60	2.18	N/A	N/A
U131	1.01	1.69	4.02	2.66	2.31	1.84	N/A	N/A

SOUTH TRUSS AS-BUILT RATING FACTORS								
Panel Point	HS20 Inv	HS20 Opr	2F1 Opr	3F1 Opr	4F1 Opr	5C1 Opr	HS-20 Truck Train	5C1 Truck Train
U132	1.44	2.40	5.42	3.59	3.16	2.56	N/A	N/A
U133	0.72	1.20	2.90	1.92	1.68	1.32	N/A	N/A
U134	0.74	1.24	3.13	2.07	1.81	1.42	N/A	N/A
U135	0.34	0.57	1.49	0.98	0.86	0.66	N/A	N/A
L1	0.76	1.28	3.07	2.06	1.80	1.43	1.20	1.37
L2	0.84	1.40	3.09	2.08	1.82	1.49	1.28	1.47
L3	0.77	1.28	2.75	1.86	1.63	1.43	1.27	1.43
L4	1.28	2.13	4.63	3.17	2.73	2.24	1.93	2.20
L5	0.77	1.29	2.25	1.54	1.41	1.64	1.30	1.64
L6	0.86	1.44	3.49	2.31	2.01	1.61	1.34	1.55
L7	0.87	1.45	3.87	2.56	2.22	1.73	1.43	1.56
L8	0.81	1.35	3.72	2.48	2.16	1.70	1.32	1.48
L9	0.90	1.50	4.01	2.67	2.34	1.98	1.45	1.71
L10	0.79	1.31	4.18	2.77	2.38	1.78	1.40	1.49
L11	1.35	2.25	5.53	3.68	3.20	2.44	2.02	2.21
L12	0.99	1.65	3.96	2.64	2.30	1.77	1.49	1.63
L13	0.98	1.63	3.82	2.55	2.23	1.74	1.52	1.62
L14	0.84	1.41	3.51	2.35	2.06	1.65	1.33	1.50
L15	1.04	1.73	3.02	2.06	1.89	2.20	1.73	2.17
L16	1.11	1.85	4.30	2.85	2.48	1.99	1.67	1.90
L17	1.03	1.72	4.18	2.77	2.40	1.89	1.62	1.73
L18	0.85	1.41	3.43	2.27	1.96	1.52	1.26	1.38
L19	1.23	2.06	4.93	3.26	2.82	2.20	1.82	2.00
L20	0.81	1.35	4.03	2.67	2.30	1.74	1.41	1.51
L21	1.47	2.45	5.76	3.91	3.41	3.01	2.34	2.74
L22	0.76	1.26	3.07	2.08	1.82	1.47	1.21	1.38
L23	0.90	1.51	3.44	2.31	2.02	1.65	1.40	1.62
L24	0.90	1.51	3.24	2.19	1.92	1.68	1.45	1.68
L25	0.78	1.30	2.27	1.55	1.42	1.66	1.30	1.64
L26	0.82	1.36	2.94	1.98	1.75	1.66	1.37	1.68
L27	0.78	1.31	2.90	1.93	1.69	1.49	1.27	1.49
L28	0.97	1.62	3.66	2.43	2.11	1.74	1.46	1.72
L29	1.17	1.95	4.39	2.98	2.65	2.24	1.82	2.13
L30	1.50	2.50	8.23	5.47	4.69	3.52	2.72	2.96
L31	1.19	1.99	4.85	3.23	2.81	2.15	1.78	1.95
L32	1.02	1.70	4.08	2.72	2.37	1.83	1.54	1.68
L33	0.98	1.64	3.91	2.61	2.27	1.78	1.55	1.66
L34	1.02	1.70	4.05	2.71	2.38	1.91	1.52	1.77
L35	0.88	1.47	3.00	2.05	1.88	1.60	1.37	1.64
L36	0.90	1.50	3.50	2.32	2.02	1.62	1.37	1.55
L37	0.97	1.62	3.99	2.64	2.29	1.81	1.53	1.64
L38	1.09	1.81	4.45	2.94	2.55	1.98	1.64	1.80
L39	1.21	2.02	4.79	3.18	2.76	2.18	1.81	1.99
L40	1.49	2.48	7.98	5.29	4.56	3.49	2.72	3.00

SOUTH TRUSS AS-BUILT RATING FACTORS								
Panel Point	HS20 Inv	HS20 Opr	2F1 Opr	3F1 Opr	4F1 Opr	5C1 Opr	HS-20 Truck Train	5C1 Truck Train
L41	1.10	1.83	4.35	3.03	2.63	2.25	1.83	2.04
L42	0.94	1.57	3.94	2.63	2.30	1.79	1.49	1.69
L43	0.88	1.46	3.36	2.26	1.98	1.62	1.36	1.58
L44	0.86	1.44	3.08	2.09	1.82	1.59	1.37	1.57
L45	0.94	1.57	3.04	2.07	1.90	1.96	1.58	2.04
L46	0.84	1.41	3.10	2.07	1.82	1.60	1.37	1.62
L47	0.86	1.44	3.33	2.22	1.93	1.62	1.36	1.60
L48	1.56	2.61	6.68	4.41	3.80	3.06	2.54	2.92
L49	1.03	1.72	4.36	2.92	2.56	2.14	1.89	1.99
L50	1.64	2.74	10.38	6.83	5.87	4.43	3.26	3.62
L51	1.01	1.69	4.88	3.21	2.77	2.12	1.70	1.88
L52	0.93	1.55	4.49	2.96	2.55	1.96	1.66	1.78
L53	0.88	1.47	4.22	2.78	2.40	1.85	1.56	1.72
L54	0.90	1.50	4.14	2.73	2.36	1.84	1.54	1.67
L55	0.97	1.62	4.34	2.87	2.48	1.97	1.69	1.81
L56	1.04	1.73	4.00	2.71	2.45	2.08	1.71	2.16
L57	0.93	1.55	4.19	2.77	2.39	1.88	1.59	1.76
L58	0.93	1.56	4.39	2.90	2.51	1.96	1.62	1.85
L59	0.86	1.43	4.16	2.74	2.37	1.83	1.54	1.67
L60	1.04	1.74	5.00	3.30	2.85	2.22	1.82	2.00
L61	1.12	1.87	5.31	3.51	3.03	2.38	1.95	2.15
L62	0.90	1.51	4.85	3.18	2.74	2.11	1.73	1.92
L63	2.26	3.78	8.77	5.79	5.06	4.81	3.65	4.86
L64	1.15	1.92	4.91	3.24	2.83	2.36	1.90	2.17
L65	0.85	1.42	3.64	2.41	2.07	1.64	1.34	1.54
L66	0.83	1.38	3.21	2.12	1.83	1.53	1.27	1.47
L67	0.85	1.43	3.19	2.11	1.83	1.61	1.37	1.59
L68	1.25	2.09	4.39	2.94	2.62	2.53	2.10	2.66
L69	0.81	1.35	2.98	1.99	1.71	1.50	1.29	1.52
L70	0.81	1.35	3.04	2.02	1.74	1.44	1.21	1.43
L71	1.00	1.67	4.14	2.74	2.37	1.87	1.55	1.77
L72	0.92	1.54	3.85	2.55	2.22	1.84	1.51	1.67
L73	2.13	3.55	8.52	5.65	4.93	4.48	3.34	3.87
L74	1.10	1.84	6.82	4.47	3.83	2.80	2.01	2.20
L75	0.67	1.12	3.97	2.61	2.23	1.64	1.18	1.29
L76	1.00	1.66	5.81	3.82	3.27	2.41	1.78	1.92
L77	0.97	1.62	5.57	3.67	3.14	2.31	1.75	1.87
L78	0.98	1.63	5.61	3.69	3.16	2.34	1.74	1.91
L79	1.10	1.84	6.09	4.01	3.43	2.55	1.95	2.10
L80	0.99	1.65	5.23	3.45	2.95	2.22	1.69	1.85
L81	1.26	2.11	8.34	5.46	4.68	3.44	2.43	2.64
L82	0.89	1.49	4.55	3.05	2.75	2.26	1.57	1.94
L83	0.80	1.33	5.03	3.31	2.85	2.14	1.40	1.70
L84	0.78	1.31	4.72	3.10	2.67	1.99	1.39	1.53

SOUTH TRUSS AS-BUILT RATING FACTORS								
Panel Point	HS20 Inv	HS20 Opr	2F1 Opr	3F1 Opr	4F1 Opr	5C1 Opr	HS-20 Truck Train	5C1 Truck Train
L85	0.86	1.44	4.84	3.18	2.74	2.03	1.52	1.65
L86	1.04	1.73	5.99	3.94	3.39	2.51	1.85	2.01
L87	1.12	1.87	6.44	4.23	3.64	2.70	2.01	2.16
L88	1.10	1.84	6.26	4.12	3.55	2.63	1.95	2.10
L89	2.12	3.54	11.06	7.23	6.20	4.56	3.62	3.96
L90	1.86	3.10	7.21	4.72	4.05	3.01	2.56	2.73
L91	2.37	3.95	9.94	6.51	5.59	4.20	3.50	3.82
L92	2.48	4.13	9.23	6.10	5.28	4.65	3.99	4.76
L93	1.26	2.11	5.49	3.62	3.14	2.73	2.04	2.36
L94	0.69	1.14	3.59	2.37	2.04	1.62	1.22	1.34
L95	0.69	1.15	3.53	2.33	2.01	1.55	1.16	1.35
L96	0.89	1.48	4.39	2.90	2.48	1.89	1.47	1.64
L97	0.76	1.27	3.49	2.31	1.98	1.53	1.24	1.38
L98	0.78	1.30	3.22	2.13	1.83	1.46	1.20	1.39
L99	0.82	1.36	3.09	2.05	1.76	1.46	1.22	1.51
L100	1.00	1.66	3.00	2.01	1.81	2.08	1.66	2.61
L101	1.04	1.74	3.93	2.60	2.26	1.87	1.60	2.02
L102	0.86	1.43	3.42	2.26	1.96	1.55	1.30	1.51
L103	0.76	1.26	3.40	2.24	1.93	1.50	1.23	1.35
L104	0.73	1.21	3.55	2.34	2.01	1.53	1.20	1.33
L105	0.72	1.20	3.61	2.40	2.07	1.61	1.21	1.41
L106	0.79	1.32	3.74	2.48	2.15	1.85	1.44	1.57
L107	1.12	1.88	4.39	2.91	2.54	2.42	1.83	2.10
L108	1.96	3.28	7.24	4.82	4.16	3.65	3.14	3.87
L109	2.40	4.00	10.31	6.77	5.81	4.36	3.48	3.83
L110	2.64	4.41	13.26	8.69	7.47	5.57	4.28	4.67
L111	1.86	3.10	9.58	6.30	5.43	4.38	3.17	3.43
L112	1.24	2.07	7.09	4.65	4.01	2.99	2.22	2.36
L113	1.84	3.07	10.77	7.06	6.07	4.51	3.39	3.54
L114	1.33	2.22	7.62	4.99	4.30	3.20	2.34	2.54
L115	1.50	2.50	8.53	5.59	4.81	3.61	2.73	3.02
L116	0.98	1.64	6.91	4.53	3.90	2.93	2.09	2.23
L117	1.56	2.61	10.97	7.20	6.19	4.66	3.06	3.70
L118	1.30	2.17	7.13	4.83	4.25	3.26	2.56	2.86
L119	1.04	1.73	7.74	5.07	4.34	3.16	2.24	2.40
L120	1.16	1.94	8.43	5.51	4.72	3.44	2.47	2.64
L121	1.63	2.73	9.71	6.37	5.49	4.10	3.15	3.44
L122	1.18	1.98	7.21	4.74	4.08	3.06	2.30	2.52
L123	1.71	2.85	10.46	6.88	5.93	4.45	3.44	3.60
L124	1.32	2.20	7.85	5.17	4.46	3.36	2.51	2.71
L125	1.20	2.00	7.00	4.61	3.98	3.03	2.20	2.44
L126	0.73	1.22	3.88	2.50	2.17	1.61	1.18	1.31
L128	0.66	1.11	2.78	1.85	1.63	1.28	N/A	N/A
L129	0.75	1.25	2.88	1.91	1.69	1.36	N/A	N/A

SOUTH TRUSS AS-BUILT RATING FACTORS								
Panel Point	HS20 Inv	HS20 Opr	2F1 Opr	3F1 Opr	4F1 Opr	5C1 Opr	HS-20 Truck Train	5C1 Truck Train
L130	0.75	1.26	2.81	1.87	1.65	1.38	N/A	N/A
L131	0.73	1.22	2.15	1.47	1.35	1.52	N/A	N/A
L132	0.84	1.41	3.18	2.11	1.85	1.50	N/A	N/A
L133	0.72	1.20	2.90	1.92	1.68	1.32	N/A	N/A
L134	0.61	1.01	2.66	1.76	1.55	1.18	N/A	N/A

AS-INSPECTED RATING FACTORS

NORTH TRUSS

NORTH TRUSS AS-INSPECTED RATING FACTORS								
Panel Point	HS20 Inv	HS20 Opr	2F1 Opr	3F1 Opr	4F1 Opr	5C1 Opr	HS-20 Truck Train	5C1 Truck Train
U0	0.96	1.60	3.85	2.57	2.25	1.79	1.52	1.74
U1	0.95	1.58	3.54	2.38	2.08	1.71	1.48	1.70
U2	0.83	1.39	2.99	2.02	1.77	1.56	1.38	1.55
U3	1.34	2.24	4.62	3.17	2.80	2.74	2.38	2.75
U4	1.27	2.12	4.69	3.13	2.74	2.43	2.18	2.57
U5	2.31	3.86	6.74	4.60	4.22	4.91	3.88	4.91
U6	0.91	1.51	3.39	2.26	1.97	1.64	1.40	1.65
U7	1.18	1.97	4.81	3.19	2.77	2.22	1.86	2.15
U8	0.86	1.43	3.85	2.55	2.21	1.72	1.43	1.56
U9	1.08	1.80	4.77	3.21	2.82	2.27	1.76	1.99
U10	0.72	1.20	4.12	2.73	2.34	1.76	1.38	1.47
U11	1.02	1.70	4.49	2.99	2.61	2.02	1.70	1.85
U12	0.94	1.57	4.01	2.68	2.33	1.83	1.60	1.70
U13	0.84	1.41	3.70	2.48	2.17	1.74	1.40	1.59
U14	1.15	1.92	5.62	3.79	3.34	2.77	2.10	2.41
U15	2.41	4.02	7.01	4.79	4.39	5.10	4.02	5.03
U16	1.46	2.44	6.24	4.15	3.61	3.00	2.48	3.05
U17	1.05	1.75	4.48	2.98	2.58	2.08	1.74	1.98
U18	0.89	1.49	3.94	2.61	2.26	1.78	1.53	1.63
U19	1.11	1.85	4.74	3.14	2.72	2.14	1.76	1.94
U20	1.51	2.53	5.89	3.94	3.39	2.71	2.21	2.64
U21	0.94	1.57	3.65	2.52	2.19	1.86	1.53	1.75
U22	1.18	1.96	4.52	3.04	2.67	2.17	1.84	2.14
U23	0.93	1.55	3.33	2.25	1.97	1.72	1.50	1.73
U24	1.11	1.85	3.84	2.63	2.32	2.26	1.80	2.29
U25	2.78	4.64	8.07	5.52	5.06	5.91	4.64	5.84
U26	2.22	3.70	7.58	5.17	4.64	5.36	3.81	5.80
U27	0.75	1.24	2.68	1.80	1.59	1.51	1.25	1.54
U28	0.65	1.08	2.39	1.60	1.40	1.23	1.04	1.23
U29	0.97	1.62	3.65	2.42	2.11	1.74	1.45	1.72
U30	0.84	1.40	3.86	2.57	2.24	1.71	1.41	1.54
U31	0.93	1.56	4.17	2.78	2.42	1.86	1.57	1.71
U32	0.85	1.43	3.71	2.48	2.16	1.69	1.46	1.57
U33	1.08	1.81	4.66	3.11	2.72	2.12	1.80	1.95
U34	1.25	2.08	5.37	3.62	3.19	2.64	2.20	2.50
U35	2.62	4.37	7.62	5.21	4.78	5.55	4.39	5.70
U36	0.85	1.42	3.49	2.32	2.02	1.68	1.43	1.73
U37	0.82	1.37	3.54	2.35	2.04	1.64	1.38	1.56
U38	0.83	1.39	3.68	2.44	2.11	1.67	1.41	1.52
U39	1.01	1.69	4.33	2.87	2.48	1.95	1.60	1.77
U40	0.98	1.64	3.93	2.73	2.37	2.02	1.65	1.83
U41	1.00	1.66	4.22	2.81	2.45	1.91	1.59	1.81
U42	0.83	1.39	3.28	2.20	1.93	1.58	1.33	1.54
U43	0.84	1.40	3.01	2.04	1.78	1.55	1.33	1.54

NORTH TRUSS AS-INSPECTED RATING FACTORS								
Panel Point	HS20 Inv	HS20 Opr	2F1 Opr	3F1 Opr	4F1 Opr	5C1 Opr	HS-20 Truck Train	5C1 Truck Train
U44	0.95	1.59	3.29	2.25	2.00	1.94	1.64	1.93
U45	2.45	4.09	7.15	4.88	4.47	5.20	4.09	5.13
U46	0.84	1.40	3.02	2.03	1.79	1.75	1.40	1.82
U47	0.74	1.24	2.74	1.83	1.60	1.40	1.20	1.41
U48	1.33	2.23	5.02	3.33	2.89	2.39	2.02	2.33
U49	1.06	1.77	4.29	2.84	2.45	1.92	1.59	1.83
U50	0.75	1.26	3.91	2.57	2.21	1.63	1.29	1.39
U51	0.95	1.59	4.65	3.06	2.63	1.97	1.64	1.72
U52	0.99	1.65	4.81	3.17	2.73	2.06	1.71	1.84
U53	0.80	1.34	3.70	2.44	2.11	1.61	1.32	1.45
U54	0.75	1.25	3.27	2.16	1.87	1.46	1.24	1.33
U55	0.71	1.18	3.91	2.56	2.20	1.66	1.32	1.41
U56	2.18	3.64	6.48	4.39	3.97	4.56	3.64	4.54
U57	0.57	0.94	3.12	2.05	1.76	1.33	1.06	1.12
U58	0.93	1.56	4.28	2.82	2.43	1.89	1.59	1.72
U59	0.90	1.50	4.29	2.82	2.43	1.86	1.51	1.70
U60	0.97	1.61	4.61	3.03	2.61	1.97	1.62	1.76
U61	1.16	1.94	5.27	3.46	2.98	2.25	1.85	1.97
U62	0.98	1.64	4.29	2.82	2.43	1.83	1.47	1.58
U63	0.85	1.42	3.66	2.42	2.12	1.76	1.42	1.60
U64	0.83	1.38	3.52	2.33	2.00	1.58	1.30	1.49
U65	0.77	1.29	3.30	2.19	1.89	1.57	1.30	1.51
U66	0.82	1.37	3.08	2.05	1.77	1.56	1.32	1.54
U67	1.59	2.65	5.72	3.83	3.33	3.32	2.56	3.23
U68	3.47	5.79	10.41	6.99	6.29	7.22	5.78	7.32
U69	1.08	1.80	3.87	2.60	2.25	2.18	1.81	2.30
U70	0.82	1.37	3.02	2.01	1.74	1.52	1.30	1.54
U71	1.05	1.75	4.07	2.70	2.33	1.92	1.61	1.86
U72	1.01	1.68	4.16	2.75	2.38	1.88	1.56	1.78
U73	0.99	1.65	4.25	2.81	2.45	2.02	1.66	1.84
U74	0.89	1.49	5.91	3.89	3.33	2.44	1.75	1.91
U75	0.48	0.80	3.07	2.03	1.73	1.27	0.94	1.01
U76	0.68	1.14	4.44	2.93	2.51	1.84	1.36	1.46
U77	0.82	1.37	5.14	3.39	2.90	2.14	1.59	1.74
U78	1.00	1.66	6.02	3.97	3.40	2.52	1.92	2.08
U79	0.96	1.60	5.39	3.56	3.05	2.28	1.74	1.91
U80	1.72	2.88	8.43	5.57	4.78	3.62	2.88	3.18
U81	0.71	1.19	5.17	3.38	2.90	2.12	1.49	1.62
U82	3.47	5.79	10.46	7.02	6.31	7.21	5.76	7.23
U83	0.74	1.24	5.28	3.48	3.01	2.25	1.57	1.71
U84	0.92	1.54	5.88	3.87	3.33	2.50	1.78	2.11
U85	0.76	1.27	4.82	3.17	2.73	2.04	1.54	1.66
U86	0.92	1.53	5.72	3.76	3.23	2.39	1.80	1.94
U87	0.89	1.49	5.14	3.36	2.88	2.12	1.69	1.84

NORTH TRUSS AS-INSPECTED RATING FACTORS								
Panel Point	HS20 Inv	HS20 Opr	2F1 Opr	3F1 Opr	4F1 Opr	5C1 Opr	HS-20 Truck Train	5C1 Truck Train
U88	1.12	1.87	6.60	4.35	3.73	2.76	2.05	2.20
U89	1.13	1.88	6.36	4.19	3.60	2.69	1.98	2.17
U90	1.51	2.53	6.40	4.19	3.59	2.64	2.27	2.42
U91	3.50	5.85	12.59	8.33	7.29	7.10	7.94	9.85
U92	0.54	0.90	2.90	1.90	1.63	1.22	0.92	1.04
U93	0.91	1.52	3.83	2.53	2.21	2.07	1.53	1.77
U94	0.88	1.47	4.61	3.05	2.64	2.02	1.53	1.77
U95	0.70	1.17	4.03	2.66	2.28	1.73	1.35	1.50
U96	0.86	1.43	3.88	2.57	2.20	1.70	1.38	1.52
U97	1.03	1.71	3.98	2.64	2.27	1.80	1.48	1.72
U98	1.09	1.82	4.11	2.74	2.35	1.93	1.62	2.03
U99	0.79	1.32	3.20	2.10	1.81	1.45	1.21	1.36
U100	2.79	4.66	8.42	5.65	5.08	5.81	4.66	7.49
U101	1.11	1.85	4.49	2.94	2.53	2.03	1.69	1.91
U102	1.10	1.83	4.14	2.74	2.38	1.95	1.67	2.11
U103	0.86	1.44	3.46	2.29	1.98	1.57	1.30	1.53
U104	0.65	1.08	2.97	1.95	1.67	1.28	1.01	1.15
U105	1.15	1.92	6.13	4.03	3.46	2.58	1.94	2.25
U106	1.25	2.08	6.30	4.19	3.61	2.76	2.10	2.46
U107	0.80	1.34	3.59	2.38	2.06	1.87	1.32	1.60
U108	1.69	2.82	6.10	4.04	3.52	3.31	2.77	3.23
U109	3.11	5.20	11.33	7.50	6.52	5.93	5.76	6.40
U110	0.26	0.43	1.49	0.97	0.84	0.61	0.45	0.49
U111	1.63	2.72	7.93	5.19	4.45	3.26	2.57	2.77
U112	1.00	1.68	6.24	4.10	3.53	2.58	1.90	2.08
U113	0.42	0.71	2.67	1.75	1.51	1.10	0.82	0.91
U114	0.60	1.01	4.18	2.75	2.36	1.70	1.26	1.37
U115	0.53	0.89	3.46	2.28	1.96	1.44	1.10	1.19
U116	0.74	1.23	4.55	2.99	2.57	1.89	1.36	1.51
U117	0.60	1.01	3.44	2.27	1.95	1.46	1.06	1.24
U118	2.38	3.97	7.04	4.78	4.32	4.99	3.98	6.45
U119	0.56	0.94	3.61	2.36	2.03	1.49	1.06	1.15
U120	1.52	2.53	6.23	4.09	3.52	2.63	2.42	2.50
U121	0.49	0.82	3.10	2.03	1.74	1.27	0.92	0.99
U122	0.97	1.63	5.22	3.42	2.94	2.17	1.65	1.82
U123	1.01	1.69	5.70	3.74	3.21	2.35	1.77	1.96
U124	0.71	1.18	4.03	2.64	2.26	1.63	1.23	1.38
U125	0.86	1.44	5.04	3.30	2.82	2.02	1.49	1.62
U126	0.95	1.59	6.07	3.97	3.39	2.41	1.73	1.88
U127	0.28	0.47	1.18	0.77	0.67	0.51	N/A	N/A
U128	0.71	1.18	2.70	1.78	1.54	1.22	N/A	N/A
U129	0.75	1.26	2.85	1.89	1.64	1.35	N/A	N/A
U130	1.18	1.97	4.37	2.91	2.54	2.11	N/A	N/A
U131	1.08	1.80	4.08	2.68	2.32	1.86	N/A	N/A

NORTH TRUSS AS-INSPECTED RATING FACTORS								
Panel Point	HS20 Inv	HS20 Opr	2F1 Opr	3F1 Opr	4F1 Opr	5C1 Opr	HS-20 Truck Train	5C1 Truck Train
U132	1.66	2.76	6.23	4.13	3.59	2.96	N/A	N/A
U133	0.90	1.51	3.41	2.26	1.96	1.62	N/A	N/A
U134	0.73	1.23	2.85	1.89	1.63	1.29	N/A	N/A
U135	0.42	0.70	1.80	1.18	1.02	0.76	N/A	N/A
L1	0.76	1.26	3.06	2.05	1.79	1.42	1.19	1.36
L2	0.82	1.37	3.08	2.07	1.81	1.49	1.27	1.47
L3	0.77	1.28	2.74	1.85	1.63	1.43	1.27	1.42
L4	1.28	2.13	4.62	3.17	2.73	2.23	1.92	2.20
L5	0.77	1.29	2.25	1.54	1.41	1.64	1.29	1.64
L6	0.85	1.42	3.47	2.30	2.00	1.60	1.33	1.54
L7	0.86	1.43	3.85	2.55	2.21	1.72	1.43	1.56
L8	0.80	1.34	3.70	2.47	2.15	1.69	1.32	1.48
L9	0.88	1.46	3.99	2.66	2.32	1.98	1.44	1.70
L10	0.72	1.20	4.12	2.73	2.34	1.76	1.38	1.47
L11	1.18	1.97	5.50	3.66	3.18	2.42	2.00	2.19
L12	0.88	1.47	3.93	2.62	2.29	1.76	1.48	1.62
L13	0.89	1.49	3.80	2.54	2.21	1.73	1.51	1.61
L14	0.79	1.32	3.48	2.33	2.04	1.63	1.32	1.49
L15	1.04	1.73	3.01	2.06	1.89	2.19	1.73	2.16
L16	1.00	1.67	4.28	2.84	2.47	1.98	1.66	1.89
L17	0.94	1.57	4.15	2.75	2.38	1.87	1.61	1.71
L18	0.75	1.26	3.40	2.25	1.95	1.51	1.25	1.37
L19	1.11	1.86	4.90	3.24	2.81	2.18	1.80	1.98
L20	0.76	1.27	3.98	2.63	2.26	1.72	1.39	1.49
L21	1.45	2.41	5.74	3.90	3.40	3.00	2.33	2.73
L22	0.75	1.25	3.06	2.07	1.81	1.46	1.20	1.38
L23	0.89	1.49	3.43	2.30	2.02	1.65	1.39	1.62
L24	0.90	1.50	3.23	2.19	1.91	1.67	1.45	1.68
L25	0.78	1.30	2.26	1.55	1.42	1.66	1.30	1.64
L26	0.82	1.36	2.93	1.97	1.74	1.65	1.36	1.68
L27	0.78	1.30	2.89	1.93	1.69	1.48	1.26	1.49
L28	0.97	1.62	3.65	2.42	2.11	1.74	1.45	1.72
L29	1.16	1.93	4.38	2.97	2.65	2.23	1.82	2.13
L30	1.37	2.29	8.01	5.32	4.56	3.43	2.64	2.87
L31	1.02	1.71	4.70	3.13	2.72	2.08	1.72	1.88
L32	0.88	1.47	3.93	2.62	2.28	1.76	1.48	1.62
L33	0.85	1.43	3.71	2.48	2.16	1.69	1.46	1.57
L34	0.90	1.50	3.71	2.49	2.19	1.75	1.39	1.61
L35	0.85	1.42	2.99	2.04	1.87	1.68	1.43	1.73
L36	0.82	1.37	3.54	2.35	2.04	1.64	1.38	1.56
L37	0.88	1.47	3.89	2.58	2.23	1.76	1.49	1.60
L38	0.97	1.61	4.33	2.87	2.48	1.94	1.60	1.76
L39	1.11	1.86	4.56	3.03	2.62	2.07	1.72	1.89
L40	1.39	2.32	7.57	5.02	4.33	3.31	2.58	2.84

NORTH TRUSS AS-INSPECTED RATING FACTORS								
Panel Point	HS20 Inv	HS20 Opr	2F1 Opr	3F1 Opr	4F1 Opr	5C1 Opr	HS-20 Truck Train	5C1 Truck Train
L41	1.08	1.80	4.32	3.01	2.61	2.23	1.82	2.02
L42	0.91	1.52	3.87	2.58	2.25	1.75	1.46	1.66
L43	0.84	1.40	3.29	2.21	1.94	1.59	1.33	1.54
L44	0.84	1.40	3.01	2.04	1.78	1.55	1.33	1.54
L45	0.84	1.40	2.80	1.92	1.75	1.75	1.40	1.82
L46	0.74	1.24	2.74	1.83	1.60	1.40	1.20	1.41
L47	0.80	1.33	3.01	2.00	1.74	1.43	1.21	1.40
L48	0.97	1.62	3.94	2.61	2.25	1.77	1.46	1.68
L49	1.73	2.90	6.66	4.45	3.93	3.46	2.76	3.10
L50	2.18	3.64	13.44	8.83	7.56	5.52	4.08	4.43
L51	0.80	1.34	4.16	2.74	2.36	1.74	1.37	1.48
L52	0.57	0.95	2.83	1.86	1.60	1.19	1.00	1.05
L53	0.68	1.13	3.24	2.13	1.84	1.39	1.14	1.24
L54	0.84	1.40	3.88	2.56	2.21	1.69	1.39	1.53
L55	0.75	1.25	3.27	2.16	1.87	1.46	1.24	1.33
L56	0.93	1.55	3.49	2.36	2.09	1.68	1.43	1.72
L57	0.78	1.30	3.66	2.41	2.08	1.62	1.35	1.47
L58	0.86	1.44	4.10	2.70	2.32	1.78	1.45	1.63
L59	0.45	0.76	2.23	1.47	1.26	0.95	0.78	0.86
L60	0.58	0.97	2.83	1.86	1.60	1.20	0.99	1.04
L61	0.68	1.14	3.14	2.06	1.77	1.33	1.07	1.15
L62	1.17	1.95	6.73	4.41	3.78	2.79	2.25	2.44
L63	1.36	2.27	5.26	3.48	3.05	3.02	2.25	3.17
L64	1.12	1.87	4.81	3.18	2.78	2.31	1.87	2.11
L65	0.83	1.38	3.52	2.33	2.00	1.58	1.30	1.49
L66	0.73	1.21	3.12	2.07	1.78	1.48	1.23	1.43
L67	0.82	1.37	3.08	2.05	1.77	1.56	1.32	1.54
L68	1.28	2.14	4.37	2.94	2.64	2.59	2.15	2.73
L69	0.82	1.37	3.02	2.01	1.74	1.52	1.30	1.54
L70	0.79	1.33	3.07	2.04	1.76	1.45	1.21	1.41
L71	1.01	1.68	4.16	2.75	2.38	1.88	1.56	1.78
L72	0.90	1.51	3.88	2.56	2.24	1.85	1.51	1.68
L73	2.08	3.48	8.53	5.64	4.93	4.44	3.34	3.82
L74	1.00	1.67	6.60	4.33	3.71	2.71	1.93	2.12
L75	0.58	0.97	3.83	2.52	2.16	1.58	1.13	1.24
L76	0.90	1.50	5.79	3.81	3.26	2.40	1.77	1.91
L77	0.87	1.45	5.53	3.64	3.12	2.29	1.73	1.84
L78	0.88	1.48	5.55	3.66	3.13	2.32	1.72	1.88
L79	1.00	1.66	6.02	3.97	3.40	2.52	1.92	2.08
L80	0.91	1.52	5.14	3.40	2.91	2.18	1.66	1.82
L81	1.19	1.99	8.26	5.40	4.63	3.40	2.39	2.60
L82	0.86	1.44	4.56	3.06	2.75	2.29	1.59	1.99
L83	0.74	1.24	5.09	3.35	2.88	2.16	1.43	1.71
L84	0.70	1.17	4.77	3.13	2.70	2.01	1.41	1.55

NORTH TRUSS AS-INSPECTED RATING FACTORS								
Panel Point	HS20 Inv	HS20 Opr	2F1 Opr	3F1 Opr	4F1 Opr	5C1 Opr	HS-20 Truck Train	5C1 Truck Train
L85	0.77	1.29	4.83	3.17	2.73	2.02	1.52	1.64
L86	0.96	1.60	5.95	3.92	3.37	2.49	1.82	1.99
L87	1.03	1.73	6.38	4.20	3.61	2.67	1.98	2.13
L88	1.03	1.72	6.21	4.09	3.51	2.60	1.92	2.08
L89	2.05	3.42	10.70	7.01	6.01	4.42	3.56	3.89
L90	1.78	2.97	6.92	4.53	3.89	2.88	2.43	2.61
L91	2.12	3.53	9.57	6.28	5.39	4.05	3.34	3.68
L92	2.50	4.17	9.28	6.15	5.33	4.68	4.01	4.75
L93	1.29	2.15	5.53	3.66	3.17	2.75	2.08	2.38
L94	0.70	1.17	3.65	2.42	2.08	1.65	1.24	1.37
L95	0.69	1.15	3.59	2.38	2.05	1.58	1.19	1.38
L96	0.78	1.30	4.47	2.95	2.53	1.92	1.50	1.67
L97	0.81	1.35	3.66	2.43	2.08	1.61	1.31	1.44
L98	0.90	1.51	3.50	2.33	2.00	1.59	1.31	1.51
L99	0.93	1.55	3.49	2.33	2.00	1.64	1.37	1.73
L100	1.00	1.67	3.02	2.03	1.82	2.08	1.67	2.69
L101	0.98	1.64	3.71	2.46	2.13	1.75	1.50	1.91
L102	0.86	1.44	3.46	2.29	1.98	1.57	1.30	1.53
L103	0.78	1.31	3.55	2.34	2.02	1.56	1.27	1.40
L104	1.46	2.43	7.05	4.65	4.00	3.04	2.38	2.65
L105	0.81	1.36	4.34	2.85	2.45	1.83	1.37	1.59
L106	0.75	1.24	3.59	2.38	2.06	1.77	1.28	1.47
L107	0.77	1.29	3.50	2.33	2.01	1.71	1.28	1.46
L108	2.06	3.44	7.60	5.05	4.36	3.80	3.23	3.73
L109	2.32	3.88	9.94	6.51	5.59	4.19	3.38	3.72
L110	2.27	3.79	8.80	5.75	4.94	3.67	3.10	3.33
L111	1.89	3.16	9.62	6.33	5.44	4.45	3.31	3.67
L112	0.86	1.43	5.31	3.49	3.00	2.20	1.61	1.78
L113	1.08	1.81	7.14	4.69	4.03	2.92	2.17	2.44
L114	0.71	1.19	4.93	3.24	2.78	2.01	1.49	1.62
L115	0.84	1.41	5.51	3.62	3.11	2.27	1.72	1.86
L116	0.53	0.89	3.46	2.28	1.96	1.44	1.10	1.19
L117	0.78	1.30	4.43	2.92	2.51	1.88	1.36	1.60
L118	0.77	1.28	3.75	2.49	2.15	1.64	1.26	1.52
L119	0.74	1.23	4.49	2.94	2.52	1.86	1.32	1.45
L120	0.84	1.40	5.03	3.29	2.82	2.07	1.50	1.62
L121	1.01	1.68	5.04	3.30	2.84	2.09	1.65	1.78
L122	0.64	1.07	3.52	2.31	1.98	1.45	1.09	1.21
L123	0.60	1.00	3.44	2.25	1.93	1.39	1.05	1.18
L124	0.82	1.37	4.87	3.18	2.73	1.95	1.43	1.56
L125	0.76	1.26	4.65	3.04	2.60	1.84	1.33	1.44
L126	1.63	2.72	10.95	7.15	6.11	4.25	2.97	3.17
L128	0.77	1.28	3.18	2.10	1.81	1.38	N/A	N/A
L129	0.78	1.30	2.99	1.97	1.71	1.35	N/A	N/A

NORTH TRUSS AS-INSPECTED RATING FACTORS								
Panel Point	HS20 Inv	HS20 Opr	2F1 Opr	3F1 Opr	4F1 Opr	5C1 Opr	HS-20 Truck Train	5C1 Truck Train
L130	0.75	1.26	2.85	1.89	1.64	1.35	N/A	N/A
L131	0.78	1.31	2.31	1.58	1.44	1.63	N/A	N/A
L132	0.90	1.51	3.41	2.26	1.96	1.62	N/A	N/A
L133	0.75	1.25	2.85	1.89	1.63	1.29	N/A	N/A
L134	0.73	1.23	3.08	2.03	1.75	1.34	N/A	N/A

SOUTH TRUSS

SOUTH TRUSS AS-INSPECTED RATING FACTORS								
Panel Point	HS20 Inv	HS20 Opr	2F1 Opr	3F1 Opr	4F1 Opr	5C1 Opr	HS-20 Truck Train	5C1 Truck Train
U0	0.96	1.61	3.85	2.58	2.26	1.79	1.53	1.74
U1	0.96	1.60	3.55	2.38	2.09	1.72	1.49	1.70
U2	0.84	1.40	3.00	2.03	1.78	1.56	1.39	1.56
U3	1.34	2.24	4.63	3.17	2.80	2.74	2.39	2.76
U4	1.27	2.13	4.69	3.14	2.75	2.43	2.18	2.57
U5	2.75	4.59	8.01	5.47	5.02	5.83	4.61	5.84
U6	0.91	1.52	3.41	2.27	1.97	1.64	1.40	1.66
U7	1.19	1.99	4.83	3.20	2.78	2.23	1.86	2.16
U8	0.87	1.45	3.87	2.56	2.22	1.73	1.43	1.56
U9	1.09	1.81	4.79	3.22	2.83	2.27	1.77	1.99
U10	1.04	1.74	4.16	2.79	2.46	2.30	1.62	2.02
U11	1.13	1.89	4.51	3.01	2.62	2.03	1.71	1.86
U12	1.03	1.72	4.03	2.70	2.35	1.84	1.61	1.71
U13	0.90	1.50	3.73	2.50	2.19	1.75	1.41	1.60
U14	1.16	1.94	5.64	3.80	3.35	2.78	2.10	2.42
U15	2.41	4.02	7.01	4.79	4.40	5.11	4.02	5.03
U16	1.56	2.60	6.25	4.15	3.61	3.01	2.48	3.06
U17	1.16	1.93	4.50	2.99	2.60	2.09	1.75	1.99
U18	0.98	1.64	3.97	2.63	2.28	1.79	1.54	1.64
U19	1.19	1.99	4.77	3.16	2.74	2.15	1.78	1.96
U20	1.52	2.54	5.90	3.94	3.40	2.71	2.21	2.64
U21	0.95	1.59	3.66	2.53	2.19	1.86	1.53	1.76
U22	1.19	1.99	4.53	3.04	2.67	2.18	1.84	2.14
U23	0.93	1.55	3.33	2.26	1.97	1.72	1.50	1.73
U24	1.11	1.86	3.84	2.63	2.32	2.26	1.80	2.29
U25	2.78	4.64	8.08	5.52	5.06	5.92	4.64	5.84
U26	2.22	3.70	7.59	5.18	4.64	5.37	3.81	5.81
U27	0.75	1.25	2.69	1.81	1.60	1.52	1.25	1.54
U28	0.65	1.08	2.40	1.60	1.40	1.23	1.05	1.24
U29	0.97	1.62	3.66	2.43	2.11	1.74	1.46	1.72
U30	0.99	1.65	4.01	2.67	2.32	1.77	1.47	1.61
U31	1.07	1.79	4.31	2.88	2.50	1.93	1.63	1.78
U32	0.98	1.64	3.91	2.61	2.27	1.78	1.55	1.66
U33	1.25	2.09	4.89	3.27	2.85	2.23	1.90	2.05
U34	1.43	2.39	5.80	3.91	3.46	2.87	2.39	2.66
U35	3.07	5.12	8.93	6.10	5.60	6.51	5.14	6.69
U36	0.88	1.47	3.31	2.20	1.92	1.60	1.37	1.64
U37	0.90	1.50	3.50	2.32	2.02	1.62	1.37	1.55
U38	0.92	1.54	3.78	2.50	2.17	1.71	1.45	1.56
U39	1.11	1.86	4.49	2.97	2.57	2.02	1.67	1.83
U40	1.00	1.66	3.96	2.75	2.39	2.04	1.67	1.86
U41	1.02	1.71	4.30	2.87	2.50	1.95	1.62	1.85
U42	0.88	1.47	3.37	2.26	1.98	1.63	1.37	1.59
U43	0.86	1.44	3.08	2.09	1.82	1.59	1.37	1.57

SOUTH TRUSS AS-INSPECTED RATING FACTORS								
Panel Point	HS20 Inv	HS20 Opr	2F1 Opr	3F1 Opr	4F1 Opr	5C1 Opr	HS-20 Truck Train	5C1 Truck Train
U44	1.04	1.74	3.59	2.46	2.18	2.15	1.78	2.11
U45	3.10	5.18	9.03	6.17	5.65	6.56	5.18	6.48
U46	0.94	1.57	3.37	2.27	2.00	1.96	1.58	2.04
U47	0.84	1.41	3.10	2.07	1.82	1.60	1.37	1.62
U48	1.19	1.99	4.64	3.09	2.69	2.25	1.89	2.22
U49	1.21	2.02	5.17	3.41	2.94	2.37	1.97	2.26
U50	0.93	1.55	3.94	2.63	2.31	1.93	1.58	1.74
U51	1.06	1.76	5.11	3.36	2.90	2.23	1.89	2.02
U52	0.94	1.56	4.50	2.96	2.55	1.97	1.67	1.83
U53	0.90	1.50	4.14	2.73	2.36	1.84	1.54	1.67
U54	0.97	1.62	4.34	2.87	2.48	1.97	1.69	1.81
U55	1.72	2.88	9.67	6.35	5.45	4.13	3.35	3.56
U56	3.75	6.26	11.15	7.54	6.83	7.86	6.28	7.81
U57	1.21	2.02	5.27	3.49	3.02	2.42	1.99	2.52
U58	1.11	1.86	5.01	3.31	2.86	2.25	1.90	2.11
U59	0.93	1.56	4.39	2.90	2.51	1.96	1.62	1.85
U60	0.86	1.43	4.16	2.74	2.37	1.83	1.54	1.67
U61	1.04	1.74	5.00	3.30	2.85	2.22	1.82	2.00
U62	0.88	1.46	4.70	3.08	2.66	2.05	1.68	1.86
U63	0.88	1.47	3.76	2.48	2.17	1.81	1.46	1.66
U64	0.85	1.42	3.64	2.41	2.07	1.64	1.34	1.54
U65	0.88	1.46	3.39	2.24	1.93	1.61	1.34	1.55
U66	0.85	1.43	3.19	2.11	1.83	1.61	1.37	1.59
U67	1.62	2.70	5.90	3.91	3.42	3.42	2.61	3.34
U68	3.91	6.53	11.74	7.87	7.09	8.21	6.50	8.18
U69	1.05	1.75	3.77	2.53	2.20	2.12	1.76	2.23
U70	0.81	1.35	2.98	1.99	1.71	1.50	1.29	1.52
U71	1.08	1.80	4.05	2.69	2.32	1.91	1.61	1.91
U72	1.00	1.67	4.14	2.74	2.37	1.87	1.55	1.77
U73	1.01	1.69	4.22	2.80	2.44	2.01	1.66	1.83
U74	1.03	1.71	6.08	4.00	3.42	2.51	1.81	1.98
U75	0.53	0.88	3.08	2.03	1.73	1.28	0.94	1.02
U76	0.76	1.27	4.46	2.94	2.51	1.85	1.36	1.47
U77	0.90	1.51	5.19	3.42	2.92	2.17	1.61	1.76
U78	1.10	1.84	6.09	4.01	3.43	2.55	1.95	2.10
U79	1.04	1.73	5.48	3.62	3.09	2.32	1.77	1.94
U80	1.78	2.97	8.53	5.64	4.82	3.67	2.92	3.22
U81	0.79	1.32	5.25	3.44	2.94	2.16	1.52	1.65
U82	2.93	4.89	8.84	5.92	5.33	6.14	4.89	6.14
U83	0.82	1.36	5.21	3.43	2.96	2.26	1.57	1.75
U84	1.01	1.69	5.84	3.84	3.31	2.49	1.75	2.10
U85	0.85	1.43	4.80	3.16	2.72	2.03	1.52	1.66
U86	1.02	1.70	5.73	3.77	3.24	2.40	1.80	1.95
U87	0.96	1.60	5.06	3.31	2.84	2.09	1.71	1.86

SOUTH TRUSS AS-INSPECTED RATING FACTORS								
Panel Point	HS20 Inv	HS20 Opr	2F1 Opr	3F1 Opr	4F1 Opr	5C1 Opr	HS-20 Truck Train	5C1 Truck Train
U88	1.16	1.93	6.66	4.38	3.77	2.79	2.09	2.24
U89	1.17	1.95	6.44	4.24	3.65	2.72	2.02	2.22
U90	1.70	2.83	6.60	4.32	3.70	2.72	2.33	2.48
U91	3.45	5.76	12.48	8.24	7.20	7.00	7.82	9.78
U92	0.53	0.89	2.80	1.83	1.57	1.17	0.90	1.01
U93	0.87	1.46	3.74	2.47	2.15	2.01	1.51	1.73
U94	0.89	1.48	4.54	3.00	2.59	1.99	1.50	1.74
U95	0.80	1.34	3.95	2.61	2.23	1.70	1.33	1.47
U96	0.76	1.27	3.49	2.31	1.98	1.53	1.24	1.38
U97	0.78	1.30	3.22	2.13	1.83	1.46	1.20	1.39
U98	0.97	1.62	3.67	2.44	2.10	1.73	1.45	1.79
U99	0.98	1.63	4.08	2.68	2.30	1.85	1.54	1.74
U100	2.84	4.75	8.58	5.75	5.18	5.96	4.73	7.45
U101	0.98	1.63	4.08	2.68	2.30	1.85	1.53	1.74
U102	1.12	1.87	4.22	2.80	2.43	2.00	1.72	2.17
U103	0.86	1.43	3.42	2.26	1.96	1.55	1.30	1.51
U104	0.85	1.42	3.81	2.52	2.17	1.68	1.38	1.52
U105	0.81	1.36	3.98	2.62	2.26	1.71	1.35	1.50
U106	0.72	1.20	3.61	2.40	2.07	1.61	1.21	1.41
U107	1.00	1.68	4.34	2.89	2.51	2.31	1.80	2.03
U108	1.42	2.37	5.08	3.37	2.94	2.80	2.36	2.79
U109	3.11	5.20	11.33	7.52	6.53	5.49	4.33	4.79
U110	0.36	0.60	1.99	1.30	1.11	0.82	0.61	0.66
U111	1.74	2.90	8.44	5.52	4.73	3.48	2.73	2.97
U112	1.42	2.37	8.12	5.33	4.59	3.42	2.54	2.70
U113	0.72	1.20	4.14	2.71	2.33	1.74	1.27	1.38
U114	1.40	2.35	8.27	5.42	4.67	3.50	2.50	2.79
U115	0.82	1.38	5.00	3.27	2.82	2.11	1.51	1.64
U116	1.91	3.19	13.16	8.64	7.42	5.59	3.71	4.33
U117	1.25	2.08	8.30	5.45	4.69	3.57	2.44	3.01
U118	4.22	7.05	12.51	8.47	7.66	8.80	7.01	8.81
U119	0.72	1.20	5.39	3.53	3.02	2.21	1.56	1.68
U120	4.87	8.14	21.19	13.87	11.98	9.15	8.01	8.68
U121	0.63	1.04	4.55	2.98	2.55	1.86	1.33	1.43
U122	0.94	1.57	5.55	3.65	3.14	2.35	1.79	1.95
U123	0.85	1.41	5.15	3.39	2.92	2.18	1.64	1.80
U124	1.20	2.00	7.34	4.83	4.16	3.12	2.41	2.52
U125	0.80	1.33	4.78	3.14	2.71	2.04	1.52	1.64
U126	0.53	0.88	3.17	2.09	1.80	1.37	0.98	1.09
U127	0.34	0.56	1.46	0.97	0.85	0.61	N/A	N/A
U128	0.29	0.48	1.21	0.80	0.71	0.56	N/A	N/A
U129	0.77	1.29	2.96	1.97	1.74	1.40	N/A	N/A
U130	1.19	1.99	4.43	2.95	2.60	2.18	N/A	N/A
U131	1.01	1.69	4.02	2.66	2.31	1.84	N/A	N/A

SOUTH TRUSS AS-INSPECTED RATING FACTORS								
Panel Point	HS20 Inv	HS20 Opr	2F1 Opr	3F1 Opr	4F1 Opr	5C1 Opr	HS-20 Truck Train	5C1 Truck Train
U132	1.44	2.40	5.42	3.59	3.16	2.56	N/A	N/A
U133	0.72	1.20	2.90	1.92	1.68	1.32	N/A	N/A
U134	0.74	1.24	3.13	2.07	1.81	1.42	N/A	N/A
U135	0.34	0.57	1.49	0.98	0.86	0.66	N/A	N/A
L1	0.76	1.28	3.07	2.06	1.80	1.43	1.20	1.37
L2	0.84	1.40	3.09	2.08	1.82	1.49	1.28	1.47
L3	0.77	1.28	2.75	1.86	1.63	1.43	1.27	1.43
L4	1.28	2.13	4.63	3.17	2.73	2.24	1.93	2.20
L5	0.77	1.29	2.25	1.54	1.41	1.64	1.30	1.64
L6	0.86	1.44	3.49	2.31	2.01	1.61	1.34	1.55
L7	0.87	1.45	3.87	2.56	2.22	1.73	1.43	1.56
L8	0.81	1.35	3.72	2.48	2.16	1.70	1.32	1.48
L9	0.90	1.50	4.01	2.67	2.34	1.98	1.45	1.71
L10	0.79	1.31	4.18	2.77	2.38	1.78	1.40	1.49
L11	1.35	2.25	5.53	3.68	3.20	2.44	2.02	2.21
L12	0.99	1.65	3.96	2.64	2.30	1.77	1.49	1.63
L13	0.98	1.63	3.82	2.55	2.23	1.74	1.52	1.62
L14	0.84	1.41	3.51	2.35	2.06	1.65	1.33	1.50
L15	1.04	1.73	3.02	2.06	1.89	2.20	1.73	2.17
L16	1.11	1.85	4.30	2.85	2.48	1.99	1.67	1.90
L17	1.03	1.72	4.18	2.77	2.40	1.89	1.62	1.73
L18	0.85	1.41	3.43	2.27	1.96	1.52	1.26	1.38
L19	1.23	2.06	4.93	3.26	2.82	2.20	1.82	2.00
L20	0.81	1.35	4.03	2.67	2.30	1.74	1.41	1.51
L21	1.47	2.45	5.76	3.91	3.41	3.01	2.34	2.74
L22	0.76	1.26	3.07	2.08	1.82	1.47	1.21	1.38
L23	0.90	1.51	3.44	2.31	2.02	1.65	1.40	1.62
L24	0.90	1.51	3.24	2.19	1.92	1.68	1.45	1.68
L25	0.78	1.30	2.27	1.55	1.42	1.66	1.30	1.64
L26	0.82	1.36	2.94	1.98	1.75	1.66	1.37	1.68
L27	0.78	1.31	2.90	1.93	1.69	1.49	1.27	1.49
L28	0.97	1.62	3.66	2.43	2.11	1.74	1.46	1.72
L29	1.17	1.95	4.39	2.98	2.65	2.24	1.82	2.13
L30	1.50	2.50	8.23	5.47	4.69	3.52	2.72	2.96
L31	1.19	1.99	4.85	3.23	2.81	2.15	1.78	1.95
L32	1.02	1.70	4.08	2.72	2.37	1.83	1.54	1.68
L33	0.98	1.64	3.91	2.61	2.27	1.78	1.55	1.66
L34	1.02	1.70	4.05	2.71	2.38	1.91	1.52	1.77
L35	0.88	1.47	3.00	2.05	1.88	1.60	1.37	1.64
L36	0.90	1.50	3.50	2.32	2.02	1.62	1.37	1.55
L37	0.97	1.62	3.99	2.64	2.29	1.81	1.53	1.64
L38	1.09	1.81	4.45	2.94	2.55	1.98	1.64	1.80
L39	1.21	2.02	4.79	3.18	2.76	2.18	1.81	1.99
L40	1.49	2.48	7.98	5.29	4.56	3.49	2.72	3.00

SOUTH TRUSS AS-INSPECTED RATING FACTORS								
Panel Point	HS20 Inv	HS20 Opr	2F1 Opr	3F1 Opr	4F1 Opr	5C1 Opr	HS-20 Truck Train	5C1 Truck Train
L41	1.10	1.83	4.35	3.03	2.63	2.25	1.83	2.04
L42	0.94	1.57	3.94	2.63	2.30	1.79	1.49	1.69
L43	0.88	1.46	3.36	2.26	1.98	1.62	1.36	1.58
L44	0.86	1.44	3.08	2.09	1.82	1.59	1.37	1.57
L45	0.94	1.57	3.04	2.07	1.90	1.96	1.58	2.04
L46	0.84	1.41	3.10	2.07	1.82	1.60	1.37	1.62
L47	0.86	1.44	3.33	2.22	1.93	1.62	1.36	1.60
L48	1.56	2.61	6.68	4.41	3.80	3.06	2.54	2.92
L49	1.03	1.72	4.36	2.92	2.56	2.14	1.89	1.99
L50	1.64	2.74	10.38	6.83	5.87	4.43	3.26	3.62
L51	1.01	1.69	4.88	3.21	2.77	2.12	1.70	1.88
L52	0.93	1.55	4.49	2.96	2.55	1.96	1.66	1.78
L53	0.88	1.47	4.22	2.78	2.40	1.85	1.56	1.72
L54	0.90	1.50	4.14	2.73	2.36	1.84	1.54	1.67
L55	0.97	1.62	4.34	2.87	2.48	1.97	1.69	1.81
L56	1.04	1.73	4.00	2.71	2.45	2.08	1.71	2.16
L57	0.93	1.55	4.19	2.77	2.39	1.88	1.59	1.76
L58	0.93	1.56	4.39	2.90	2.51	1.96	1.62	1.85
L59	0.86	1.43	4.16	2.74	2.37	1.83	1.54	1.67
L60	1.04	1.74	5.00	3.30	2.85	2.22	1.82	2.00
L61	1.12	1.87	5.31	3.51	3.03	2.38	1.95	2.15
L62	0.90	1.51	4.85	3.18	2.74	2.11	1.73	1.92
L63	2.26	3.78	8.77	5.79	5.06	4.81	3.65	4.86
L64	1.15	1.92	4.91	3.24	2.83	2.36	1.90	2.17
L65	0.85	1.42	3.64	2.41	2.07	1.64	1.34	1.54
L66	0.83	1.38	3.21	2.12	1.83	1.53	1.27	1.47
L67	0.85	1.43	3.19	2.11	1.83	1.61	1.37	1.59
L68	1.25	2.09	4.39	2.94	2.62	2.53	2.10	2.66
L69	0.81	1.35	2.98	1.99	1.71	1.50	1.29	1.52
L70	0.81	1.35	3.04	2.02	1.74	1.44	1.21	1.43
L71	1.00	1.67	4.14	2.74	2.37	1.87	1.55	1.77
L72	0.92	1.54	3.85	2.55	2.22	1.84	1.51	1.67
L73	2.13	3.55	8.52	5.65	4.93	4.48	3.34	3.87
L74	1.10	1.84	6.82	4.47	3.83	2.80	2.01	2.20
L75	0.67	1.12	3.97	2.61	2.23	1.64	1.18	1.29
L76	1.00	1.66	5.81	3.82	3.27	2.41	1.78	1.92
L77	0.97	1.62	5.57	3.67	3.14	2.31	1.75	1.87
L78	0.98	1.63	5.61	3.69	3.16	2.34	1.74	1.91
L79	1.10	1.84	6.09	4.01	3.43	2.55	1.95	2.10
L80	0.99	1.65	5.23	3.45	2.95	2.22	1.69	1.85
L81	1.26	2.11	8.34	5.46	4.68	3.44	2.43	2.64
L82	0.89	1.49	4.55	3.05	2.75	2.26	1.57	1.94
L83	0.80	1.33	5.03	3.31	2.85	2.14	1.40	1.70
L84	0.78	1.31	4.72	3.10	2.67	1.99	1.39	1.53

SOUTH TRUSS AS-INSPECTED RATING FACTORS								
Panel Point	HS20 Inv	HS20 Opr	2F1 Opr	3F1 Opr	4F1 Opr	5C1 Opr	HS-20 Truck Train	5C1 Truck Train
L85	0.86	1.44	4.84	3.18	2.74	2.03	1.52	1.65
L86	1.04	1.73	5.99	3.94	3.39	2.51	1.85	2.01
L87	1.12	1.87	6.44	4.23	3.64	2.70	2.01	2.16
L88	1.10	1.84	6.26	4.12	3.55	2.63	1.95	2.10
L89	2.12	3.54	11.06	7.23	6.20	4.56	3.62	3.96
L90	1.86	3.10	7.21	4.72	4.05	3.01	2.56	2.73
L91	2.37	3.95	9.94	6.51	5.59	4.20	3.50	3.82
L92	2.48	4.13	9.23	6.10	5.28	4.65	3.99	4.76
L93	1.26	2.11	5.49	3.62	3.14	2.73	2.04	2.36
L94	0.69	1.14	3.59	2.37	2.04	1.62	1.22	1.34
L95	0.69	1.15	3.53	2.33	2.01	1.55	1.16	1.35
L96	0.89	1.48	4.39	2.90	2.48	1.89	1.47	1.64
L97	0.76	1.27	3.49	2.31	1.98	1.53	1.24	1.38
L98	0.78	1.30	3.22	2.13	1.83	1.46	1.20	1.39
L99	0.82	1.36	3.09	2.05	1.76	1.46	1.22	1.51
L100	1.00	1.66	3.00	2.01	1.81	2.08	1.66	2.61
L101	1.04	1.74	3.93	2.60	2.26	1.87	1.60	2.02
L102	0.86	1.43	3.42	2.26	1.96	1.55	1.30	1.51
L103	0.76	1.26	3.40	2.24	1.93	1.50	1.23	1.35
L104	0.73	1.21	3.55	2.34	2.01	1.53	1.20	1.33
L105	0.72	1.20	3.61	2.40	2.07	1.61	1.21	1.41
L106	0.79	1.32	3.74	2.48	2.15	1.85	1.44	1.57
L107	1.12	1.88	4.39	2.91	2.54	2.42	1.83	2.10
L108	1.96	3.28	7.24	4.82	4.16	3.65	3.14	3.87
L109	2.40	4.00	10.31	6.77	5.81	4.36	3.48	3.83
L110	2.64	4.41	13.26	8.69	7.47	5.57	4.28	4.67
L111	1.86	3.10	9.58	6.30	5.43	4.38	3.17	3.43
L112	1.24	2.07	7.09	4.65	4.01	2.99	2.22	2.36
L113	1.84	3.07	10.77	7.06	6.07	4.51	3.39	3.54
L114	1.33	2.22	7.62	4.99	4.30	3.20	2.34	2.54
L115	1.50	2.50	8.53	5.59	4.81	3.61	2.73	3.02
L116	0.98	1.64	6.91	4.53	3.90	2.93	2.09	2.23
L117	1.56	2.61	10.97	7.20	6.19	4.66	3.06	3.70
L118	1.30	2.17	7.13	4.83	4.25	3.26	2.56	2.86
L119	1.04	1.73	7.74	5.07	4.34	3.16	2.24	2.40
L120	1.16	1.94	8.43	5.51	4.72	3.44	2.47	2.64
L121	1.63	2.73	9.71	6.37	5.49	4.10	3.15	3.44
L122	1.18	1.98	7.21	4.74	4.08	3.06	2.30	2.52
L123	1.71	2.85	10.46	6.88	5.93	4.45	3.44	3.60
L124	1.32	2.20	7.85	5.17	4.46	3.36	2.51	2.71
L125	1.20	2.00	7.00	4.61	3.98	3.03	2.20	2.44
L126	0.73	1.22	3.88	2.50	2.17	1.61	1.18	1.31
L128	0.66	1.11	2.78	1.85	1.63	1.28	N/A	N/A
L129	0.75	1.25	2.88	1.91	1.69	1.36	N/A	N/A

SOUTH TRUSS AS-INSPECTED RATING FACTORS								
Panel Point	HS20 Inv	HS20 Opr	2F1 Opr	3F1 Opr	4F1 Opr	5C1 Opr	HS-20 Truck Train	5C1 Truck Train
L130	0.75	1.26	2.81	1.87	1.65	1.38	N/A	N/A
L131	0.73	1.22	2.15	1.47	1.35	1.52	N/A	N/A
L132	0.84	1.41	3.18	2.11	1.85	1.50	N/A	N/A
L133	0.72	1.20	2.90	1.92	1.68	1.32	N/A	N/A
L134	0.61	1.01	2.66	1.76	1.55	1.18	N/A	N/A

AS-INSPECTED EFFECTS

(Neglecting Rivet Capacity Check)

2012 AS-INSPECTED EFFECTS ON GUSSET PLATES (RIVET CAPACITY CHECK IGNORED)

GUSSET PLATE RATING FACTOR COMPARISON																										
Truss	Panel Point	HS-20 (INV.)			HS-20 (OPR.)			2F1			3F1			4F1			5C1			HS-20 Truck Train			5C1 Truck Train			HS-20 (OPR) % Reduc.
		AB	AI	Change	AB	AI	Change	AB	AI	Change	AB	AI	Change	AB	AI	Change	AB	AI	Change	AB	AI	Change	AB	AI	Change	
North	U0	1.98	1.98	0.00	3.31	3.31	0.00	7.95	7.95	0.00	5.32	5.32	0.00	4.65	4.65	0.00	3.70	3.70	0.00	3.14	3.14	0.00	3.58	3.58	0.00	0.00%
North	U1	2.47	2.47	0.00	4.12	4.12	0.00	9.24	9.24	0.00	6.21	6.21	0.00	5.43	5.43	0.00	4.47	4.47	0.00	3.87	3.87	0.00	4.43	4.43	0.00	0.00%
North	U2	2.81	2.81	0.00	4.69	4.69	0.00	10.33	10.33	0.00	7.00	7.00	0.00	6.13	6.13	0.00	5.09	5.09	0.00	4.35	4.35	0.00	5.02	5.02	0.00	0.00%
North	U3	3.03	3.03	0.00	5.06	5.06	0.00	10.42	10.42	0.00	7.15	7.15	0.00	6.31	6.31	0.00	6.18	6.18	0.00	5.38	5.38	0.00	6.22	6.22	0.00	0.00%
North	U4	2.15	2.15	0.00	3.59	3.59	0.00	7.92	7.92	0.00	5.29	5.29	0.00	4.63	4.63	0.00	4.11	4.11	0.00	3.68	3.68	0.00	4.34	4.34	0.00	0.00%
North	U5	4.05	4.05	0.00	6.77	6.77	0.00	11.80	11.80	0.00	8.06	8.06	0.00	7.40	7.40	0.00	8.60	8.60	0.00	6.79	6.79	0.00	8.60	8.60	0.00	0.00%
North	U6	2.24	2.24	0.00	3.74	3.74	0.00	8.40	8.40	0.00	5.59	5.59	0.00	4.87	4.87	0.00	4.05	4.05	0.00	3.46	3.46	0.00	4.08	4.08	0.00	0.00%
North	U7	2.84	2.84	0.00	4.74	4.74	0.00	10.84	10.84	0.00	7.17	7.17	0.00	6.21	6.21	0.00	4.85	4.85	0.00	4.01	4.01	0.00	4.38	4.38	0.00	0.00%
North	U8	2.08	2.08	0.00	3.47	3.47	0.00	9.56	9.56	0.00	6.37	6.37	0.00	5.55	5.55	0.00	4.36	4.36	0.00	3.40	3.40	0.00	3.81	3.81	0.00	0.00%
North	U9	2.18	2.18	0.00	3.64	3.64	0.00	9.93	9.93	0.00	6.62	6.62	0.00	5.78	5.78	0.00	4.91	4.91	0.00	3.58	3.58	0.00	4.23	4.23	0.00	0.00%
North	U10	2.97	2.97	0.00	4.96	4.96	0.00	13.58	13.58	0.00	9.03	9.03	0.00	7.87	7.87	0.00	6.00	6.00	0.00	4.98	4.98	0.00	5.45	5.45	0.00	0.00%
North	U11	1.95	1.95	0.00	3.26	3.26	0.00	9.08	9.08	0.00	6.03	6.03	0.00	5.25	5.25	0.00	3.99	3.99	0.00	3.31	3.31	0.00	3.62	3.62	0.00	0.00%
North	U12	2.31	2.31	0.00	3.86	3.86	0.00	9.84	9.84	0.00	6.57	6.57	0.00	5.73	5.73	0.00	4.49	4.49	0.00	3.92	3.92	0.00	4.17	4.17	0.00	0.00%
North	U13	2.59	2.59	0.00	4.32	4.32	0.00	11.36	11.36	0.00	7.61	7.61	0.00	6.66	6.66	0.00	5.33	5.33	0.00	4.29	4.29	0.00	4.87	4.87	0.00	0.00%
North	U14	1.94	1.94	0.00	3.23	3.23	0.00	9.81	9.81	0.00	6.47	6.47	0.00	5.57	5.57	0.00	4.31	4.31	0.00	3.52	3.52	0.00	3.90	3.90	0.00	0.00%
North	U15	4.13	4.13	0.00	6.90	6.90	0.00	12.03	12.03	0.00	8.22	8.22	0.00	7.54	7.54	0.00	8.76	8.76	0.00	6.90	6.90	0.00	8.64	8.64	0.00	0.00%
North	U16	1.95	1.95	0.00	3.26	3.26	0.00	9.90	9.90	0.00	6.53	6.53	0.00	5.62	5.62	0.00	4.35	4.35	0.00	3.55	3.55	0.00	3.93	3.93	0.00	0.00%
North	U17	1.97	1.97	0.00	3.29	3.29	0.00	9.46	9.46	0.00	6.27	6.27	0.00	5.38	5.38	0.00	4.13	4.13	0.00	3.41	3.41	0.00	3.69	3.69	0.00	0.00%
North	U18	2.47	2.47	0.00	4.13	4.13	0.00	10.90	10.90	0.00	7.22	7.22	0.00	6.25	6.25	0.00	4.92	4.92	0.00	4.18	4.18	0.00	4.48	4.48	0.00	0.00%
North	U19	2.22	2.22	0.00	3.70	3.70	0.00	9.49	9.49	0.00	6.29	6.29	0.00	5.45	5.45	0.00	4.28	4.28	0.00	3.53	3.53	0.00	3.89	3.89	0.00	0.00%
North	U20	3.58	3.58	0.00	5.97	5.97	0.00	13.43	13.43	0.00	8.92	8.92	0.00	7.68	7.68	0.00	6.03	6.03	0.00	5.31	5.31	0.00	6.06	6.06	0.00	0.00%
North	U21	2.62	2.62	0.00	4.37	4.37	0.00	10.40	10.40	0.00	7.06	7.06	0.00	6.17	6.17	0.00	5.35	5.35	0.00	4.23	4.23	0.00	4.95	4.95	0.00	0.00%
North	U22	2.60	2.60	0.00	4.33	4.33	0.00	10.58	10.58	0.00	7.10	7.10	0.00	6.23	6.23	0.00	5.05	5.05	0.00	4.17	4.17	0.00	4.77	4.77	0.00	0.00%
North	U23	2.65	2.65	0.00	4.42	4.42	0.00	9.49	9.49	0.00	6.42	6.42	0.00	5.62	5.62	0.00	4.91	4.91	0.00	4.27	4.27	0.00	4.93	4.93	0.00	0.00%
North	U24	2.79	2.79	0.00	4.66	4.66	0.00	9.64	9.64	0.00	6.61	6.61	0.00	5.82	5.82	0.00	5.68	5.68	0.00	4.53	4.53	0.00	5.76	5.76	0.00	0.00%
North	U25	2.78	2.78	0.00	4.64	4.64	0.00	8.07	8.07	0.00	5.52	5.52	0.00	5.06	5.06	0.00	5.91	5.91	0.00	4.64	4.64	0.00	5.84	5.84	0.00	0.00%
North	U26	4.41	4.41	0.00	7.36	7.36	0.00	15.09	15.09	0.00	10.29	10.29	0.00	9.23	9.23	0.00	10.39	10.39	0.00	7.57	7.57	0.00	10.54	10.54	0.00	0.00%
North	U27	2.13	2.13	0.00	3.56	3.56	0.00	7.66	7.66	0.00	5.16	5.16	0.00	4.55	4.55	0.00	4.19	4.19	0.00	3.57	3.57	0.00	4.23	4.23	0.00	0.00%
North	U28	2.50	2.50	0.00	4.18	4.18	0.00	9.25	9.25	0.00	6.18	6.18	0.00	5.40	5.40	0.00	4.74	4.74	0.00	4.04	4.04	0.00	4.76	4.76	0.00	0.00%
North	U29	2.64	2.64	0.00	4.41	4.41	0.00	10.42	10.42	0.00	6.98	6.98	0.00	6.13	6.13	0.00	5.02	5.02	0.00	4.13	4.13	0.00	4.79	4.79	0.00	0.00%
North	U30	2.54	2.54	0.00	4.24	4.24	0.00	11.69	11.69	0.00	7.78	7.78	0.00	6.78	6.78	0.00	5.17	5.17	0.00	4.28	4.28	0.00	4.68	4.68	0.00	0.00%
North	U31	1.68	1.68	0.00	2.80	2.80	0.00	7.49	7.49	0.00	4.99	4.99	0.00	4.34	4.34	0.00	3.35	3.35	0.00	2.82	2.82	0.00	3.07	3.07	0.00	0.00%
North	U32	1.70	1.70	0.00	2.83	2.83	0.00	7.36	7.36	0.00	4.92	4.92	0.00	4.28	4.28	0.00	3.35	3.35	0.00	2.90	2.90	0.00	3.11	3.11	0.00	0.00%
North	U33	2.16	2.16	0.00	3.61	3.61	0.00	8.90	8.90	0.00	5.97	5.97	0.00	5.21	5.21	0.00	4.16	4.16	0.00	3.46	3.46	0.00	3.92	3.92	0.00	0.00%
North	U34	1.65	1.65	0.00	2.75	2.75	0.00	8.35	8.35	0.00	5.51	5.51	0.00	4.74	4.74	0.00	3.67	3.67	0.00	3.00	3.00	0.00	3.31	3.31	0.00	0.00%
North	U35	3.82	3.82	0.00	6.37	6.37	0.00	11.11	11.11	0.00	7.59	7.59	0.00	6.96	6.96	0.00	8.10	8.10	0.00	6.39	6.39	0.00	8.31	8.31	0.00	0.00%
North	U36	1.59	1.59	0.00	2.65	2.65	0.00	8.04	8.04	0.00	5.30	5.30	0.00	4.57	4.57	0.00	3.54	3.54	0.00	2.89	2.89	0.00	3.19	3.19	0.00	0.00%
North	U37	1.77	1.77	0.00	2.95	2.95	0.00	7.96	7.96	0.00	5.26	5.26	0.00	4.56	4.56	0.00	3.57	3.57	0.00	3.00	3.00	0.00	3.29	3.29	0.00	0.00%
North	U38	1.56	1.56	0.00	2.61	2.61	0.00	7.04	7.04	0.00	4.65	4.65	0.00	4.03	4.03	0.00	3.13	3.13	0.00	2.59	2.59	0.00	2.84	2.84	0.00	0.00%
North	U39	2.31	2.31	0.00	3.85	3.85	0.00	9.89	9.89	0.00	6.55	6.55	0.00	5.68	5.68	0.00	4.45	4.45	0.00	3.67	3.67	0.00	4.04	4.04	0.00	0.00%
North	U40	2.51	2.51	0.00	4.19	4.19	0.00	10.28	10.28	0.00	6.82	6.82	0.00	5.91	5.91	0.00	4.66	4.66	0.00	3.87	3.87	0.00	4.26	4.26	0.00	0.00%
North	U41	3.03	3.03	0.00	5.06	5.06	0.00	12.87	12.87	0.00	8.58	8.58	0.00	7.48	7.48	0.00	5.83	5.83	0.00	4.85	4.85	0.00	5.52	5.52	0.00	0.00%
North	U42	2.26	2.26	0.00	3.77	3.77	0.00	8.87	8.87	0.00	5.96	5.96	0.00	5.22	5.22	0.00	4.29	4.29	0.00	3.60	3.60	0.00	4.16	4.16	0.00	0.00%
North	U43	2.50	2.50	0.00	4.17	4.17	0.00	8.95	8.95	0.00	6.06	6.06	0.00	5.29	5.29	0.00	4.61	4.61	0.00	3.95	3.95	0.00	4.57	4.57	0.00	0.00%
North	U44	3.63	3.63	0.00	6.05	6.05	0.00	12.67	12.67	0.00	8.68	8.68	0.00	7.68	7.68	0.00	6.75	6.75	0.00	5.72	5.72	0.00	6.65	6.65	0.00	0.00%
North	U45	3.79	3.79	0.00	6.32	6.32	0.00	11.04	11.04	0.00	7.54	7.54	0.00	6.91	6.91	0.00	8.03	8.03	0.00	6.32	6.32	0.00	7.93	7.93	0.00	0.00%
North	U46	3.39	3.39	0.00	5.66	5.66	0.00	12.20	12.20	0.00	8.20	8.20	0.00	7.24	7.24	0.00	6.74	6.74	0.00	5.66	5.66	0.00	6.83	6.83	0.00	0.00%
North	U47	2.56	2.56	0.00	4.28	4.28	0.00	9.47	9.47	0.00	6.32	6.32	0.00	5.53	5.53	0.00	4.85	4.85	0.00	4.16	4.16	0.00	4.89	4.89	0.00	0.00%
North	U48	4.39	4.39	0.00	7.33	7.33	0.00	16.55	16.55	0.00	10.98	10.98	0.00	9.54	9.54	0.00	7.88	7.88	0.00	6.64	6.64	0.00	7.70	7.70	0.00	

2012 AS-INSPECTED EFFECTS ON GUSSET PLATES (RIVET CAPACITY CHECK IGNORED)

GUSSET PLATE RATING FACTOR COMPARISON																											
Truss	Panel Point	HS-20 (INV.)			HS-20 (OPR.)			2F1			3F1			4F1			5C1			HS-20 Truck Train			5C1 Truck Train			HS-20 (OPR)	
		AB	AI	Change	AB	AI	Change	AB	AI	Change	AB	AI	Change	AB	AI	Change	AB	AI	Change	AB	AI	Change	AB	AI	Change		% Reduc.
North	U69	3.87	3.87	0.00	6.46	6.46	0.00	14.23	14.23	0.00	9.52	9.52	0.00	8.22	8.22	0.00	7.17	7.17	0.00	6.15	6.15	0.00	7.31	7.31	0.00	0.00%	
North	U70	2.63	2.63	0.00	4.39	4.39	0.00	9.70	9.70	0.00	6.44	6.44	0.00	5.57	5.57	0.00	4.87	4.87	0.00	4.18	4.18	0.00	4.94	4.94	0.00	0.00%	
North	U71	2.69	2.69	0.00	4.48	4.48	0.00	11.08	11.08	0.00	7.33	7.33	0.00	6.33	6.33	0.00	5.02	5.02	0.00	4.15	4.15	0.00	4.74	4.74	0.00	0.00%	
North	U72	2.23	2.23	0.00	3.72	3.72	0.00	9.92	9.92	0.00	6.56	6.56	0.00	5.67	5.67	0.00	4.49	4.49	0.00	3.71	3.71	0.00	4.14	4.14	0.00	0.00%	
North	U73	3.30	3.30	0.00	5.52	5.52	0.00	14.22	14.22	0.00	9.43	9.43	0.00	8.17	8.17	0.00	6.79	6.79	0.00	5.34	5.34	0.00	6.19	6.19	0.00	0.00%	
North	U74	2.38	2.38	0.00	3.97	3.97	0.00	11.36	11.36	0.00	7.51	7.51	0.00	6.57	6.57	0.00	6.43	6.43	0.00	4.66	4.66	0.00	5.09	5.09	0.00	0.00%	
North	U75	1.73	1.73	0.00	2.89	2.89	0.00	11.15	11.15	0.00	7.35	7.35	0.00	6.29	6.29	0.00	4.62	4.62	0.00	3.42	3.42	0.00	3.67	3.67	0.00	0.00%	
North	U76	1.51	1.51	0.00	2.51	2.51	0.00	9.78	9.78	0.00	6.45	6.45	0.00	5.52	5.52	0.00	4.04	4.04	0.00	3.00	3.00	0.00	3.21	3.21	0.00	0.00%	
North	U77	1.46	1.46	0.00	2.44	2.44	0.00	9.32	9.32	0.00	6.14	6.14	0.00	5.26	5.26	0.00	3.86	3.86	0.00	2.92	2.92	0.00	3.11	3.11	0.00	0.00%	
North	U78	1.68	1.68	0.00	2.80	2.80	0.00	10.32	10.32	0.00	6.81	6.81	0.00	5.83	5.83	0.00	4.30	4.30	0.00	3.23	3.23	0.00	3.50	3.50	0.00	0.00%	
North	U79	1.62	1.62	0.00	2.70	2.70	0.00	9.83	9.83	0.00	6.49	6.49	0.00	5.56	5.56	0.00	4.11	4.11	0.00	3.10	3.10	0.00	3.38	3.38	0.00	0.00%	
North	U80	3.39	3.39	0.00	5.66	5.66	0.00	18.78	18.78	0.00	12.40	12.40	0.00	10.64	10.64	0.00	7.99	7.99	0.00	6.07	6.07	0.00	6.68	6.68	0.00	0.00%	
North	U81	0.84	0.84	0.00	1.40	1.40	0.00	6.21	6.21	0.00	4.06	4.06	0.00	3.48	3.48	0.00	2.56	2.56	0.00	1.78	1.78	0.00	1.94	1.94	0.00	0.00%	
North	U82	3.95	3.95	0.00	6.60	6.60	0.00	11.93	11.93	0.00	8.01	8.01	0.00	7.19	7.19	0.00	8.22	8.22	0.00	6.57	6.57	0.00	8.25	8.25	0.00	0.00%	
North	U83	0.99	0.99	0.00	1.66	1.66	0.00	7.34	7.34	0.00	4.80	4.80	0.00	4.11	4.11	0.00	3.02	3.02	0.00	2.11	2.11	0.00	2.30	2.30	0.00	0.00%	
North	U84	2.71	2.71	0.00	4.52	4.52	0.00	18.42	18.42	0.00	12.12	12.12	0.00	10.43	10.43	0.00	7.76	7.76	0.00	5.45	5.45	0.00	5.99	5.99	0.00	0.00%	
North	U85	1.72	1.72	0.00	2.87	2.87	0.00	11.94	11.94	0.00	7.82	7.82	0.00	6.70	6.70	0.00	4.89	4.89	0.00	3.45	3.45	0.00	3.75	3.75	0.00	0.00%	
North	U86	1.54	1.54	0.00	2.57	2.57	0.00	9.82	9.82	0.00	6.46	6.46	0.00	5.55	5.55	0.00	4.09	4.09	0.00	3.02	3.02	0.00	3.27	3.27	0.00	0.00%	
North	U87	1.76	1.76	0.00	2.93	2.93	0.00	11.02	11.02	0.00	7.25	7.25	0.00	6.24	6.24	0.00	4.59	4.59	0.00	3.43	3.43	0.00	3.64	3.64	0.00	0.00%	
North	U88	1.75	1.75	0.00	3.22	3.22	0.00	10.30	10.30	0.00	6.78	6.78	0.00	5.82	5.82	0.00	4.31	4.31	0.00	3.20	3.20	0.00	3.44	3.44	0.00	0.00%	
North	U89	2.68	2.68	0.00	4.47	4.47	0.00	15.07	15.07	0.00	9.93	9.93	0.00	8.53	8.53	0.00	6.37	6.37	0.00	4.70	4.70	0.00	5.15	5.15	0.00	0.00%	
North	U90	1.51	1.51	0.00	2.53	2.53	0.00	6.40	6.40	0.00	4.19	4.19	0.00	3.59	3.59	0.00	2.64	2.64	0.00	2.27	2.27	0.00	2.42	2.42	0.00	0.00%	
North	U91	3.68	3.68	0.00	6.14	6.14	0.00	13.23	13.23	0.00	8.75	8.75	0.00	7.66	7.66	0.00	7.46	7.46	0.00	8.34	8.34	0.00	10.35	10.35	0.00	0.00%	
North	U92	2.17	2.17	0.00	3.62	3.62	0.00	11.77	11.77	0.00	7.79	7.79	0.00	6.75	6.75	0.00	5.20	5.20	0.00	3.81	3.81	0.00	4.25	4.25	0.00	0.00%	
North	U93	2.91	2.91	0.00	4.85	4.85	0.00	12.50	12.50	0.00	8.27	8.27	0.00	7.17	7.17	0.00	6.22	6.22	0.00	4.69	4.69	0.00	5.37	5.37	0.00	0.00%	
North	U94	2.49	2.49	0.00	4.16	4.16	0.00	12.74	12.74	0.00	8.42	8.42	0.00	7.21	7.21	0.00	5.47	5.47	0.00	4.28	4.28	0.00	4.75	4.75	0.00	0.00%	
North	U95	2.04	2.04	0.00	3.41	3.41	0.00	11.73	11.73	0.00	7.76	7.76	0.00	6.64	6.64	0.00	5.04	5.04	0.00	3.94	3.94	0.00	4.38	4.38	0.00	0.00%	
North	U96	2.33	2.33	0.00	3.90	3.90	0.00	13.42	13.42	0.00	8.87	8.87	0.00	7.60	7.60	0.00	5.77	5.77	0.00	4.51	4.51	0.00	5.01	5.01	0.00	0.00%	
North	U97	2.95	2.95	0.00	4.92	4.92	0.00	13.33	13.33	0.00	8.83	8.83	0.00	7.57	7.57	0.00	5.86	5.86	0.00	4.75	4.75	0.00	5.24	5.24	0.00	0.00%	
North	U98	3.82	3.82	0.00	6.38	6.38	0.00	14.40	14.40	0.00	9.60	9.60	0.00	8.24	8.24	0.00	6.79	6.79	0.00	5.67	5.67	0.00	6.74	6.74	0.00	0.00%	
North	U99	1.98	1.98	0.00	3.31	3.31	0.00	8.01	8.01	0.00	5.26	5.26	0.00	4.52	4.52	0.00	3.63	3.63	0.00	3.02	3.02	0.00	3.41	3.41	0.00	0.00%	
North	U100	4.09	4.09	0.00	6.82	6.82	0.00	12.32	12.32	0.00	8.27	8.27	0.00	7.43	7.43	0.00	8.50	8.50	0.00	6.81	6.81	0.00	10.97	10.97	0.00	0.00%	
North	U101	2.47	2.47	0.00	4.12	4.12	0.00	9.96	9.96	0.00	6.54	6.54	0.00	5.63	5.63	0.00	4.52	4.52	0.00	3.75	3.75	0.00	4.25	4.25	0.00	0.00%	
North	U102	3.59	3.59	0.00	5.99	5.99	0.00	13.52	13.52	0.00	8.96	8.96	0.00	7.78	7.78	0.00	6.38	6.38	0.00	5.45	5.45	0.00	6.90	6.90	0.00	0.00%	
North	U103	3.00	3.00	0.00	5.01	5.01	0.00	13.58	13.58	0.00	8.96	8.96	0.00	7.74	7.74	0.00	5.97	5.97	0.00	4.88	4.88	0.00	5.37	5.37	0.00	0.00%	
North	U104	1.77	1.77	0.00	2.96	2.96	0.00	8.45	8.45	0.00	5.57	5.57	0.00	4.80	4.80	0.00	3.65	3.65	0.00	2.86	2.86	0.00	3.19	3.19	0.00	0.00%	
North	U105	1.15	1.15	0.00	1.92	1.92	0.00	6.13	6.13	0.00	4.03	4.03	0.00	3.46	3.46	0.00	2.58	2.58	0.00	1.94	1.94	0.00	2.25	2.25	0.00	0.00%	
North	U106	2.46	2.46	0.00	4.10	4.10	0.00	12.74	12.74	0.00	8.44	8.44	0.00	7.28	7.28	0.00	5.84	5.84	0.00	4.21	4.21	0.00	4.84	4.84	0.00	0.00%	
North	U107	2.02	2.02	0.00	3.38	3.38	0.00	10.74	10.74	0.00	7.12	7.12	0.00	6.11	6.11	0.00	4.53	4.53	0.00	3.53	3.53	0.00	3.88	3.88	0.00	0.00%	
North	U108	3.47	3.47	0.00	5.80	5.80	0.00	12.82	12.82	0.00	8.52	8.52	0.00	7.36	7.36	0.00	6.40	6.40	0.00	5.44	5.44	0.00	6.29	6.29	0.00	0.00%	
North	U109	3.11	3.11	0.00	5.20	5.20	0.00	11.33	11.33	0.00	7.50	7.50	0.00	6.52	6.52	0.00	5.93	5.93	0.00	6.68	6.68	0.00	8.91	8.91	0.00	0.00%	
North	U110	1.67	1.67	0.00	2.78	2.78	0.00	9.58	9.58	0.00	6.26	6.26	0.00	5.37	5.37	0.00	3.93	3.93	0.00	2.91	2.91	0.00	3.14	3.14	0.00	0.00%	
North	U111	2.17	2.17	0.00	3.63	3.63	0.00	11.92	11.92	0.00	7.84	7.84	0.00	6.75	6.75	0.00	5.01	5.01	0.00	3.74	3.74	0.00	4.12	4.12	0.00	0.00%	
North	U112	1.00	1.00	0.00	1.68	1.68	0.00	6.24	6.24	0.00	4.10	4.10	0.00	3.53	3.53	0.00	2.58	2.58	0.00	1.90	1.90	0.00	2.08	2.08	0.00	0.00%	
North	U113	2.05	2.05	0.00	3.43	3.43	0.00	13.22	13.22	0.00	8.69	8.69	0.00	7.48	7.48	0.00	5.45	5.45	0.00	4.05	4.05	0.00	4.53	4.53	0.00	0.00%	
North	U114	0.60	0.60	0.00	1.01	1.01	0.00	4.18	4.18	0.00	2.75	2.75	0.00	2.36	2.36	0.00	1.70	1.70	0.00	1.26	1.26	0.00	1.37	1.37	0.00	0.00%	
North	U115	2.18	2.18	0.00	3.65	3.65	0.00	15.64	15.64	0.00	10.28	10.28	0.00	8.82	8.82	0.00	6.39	6.39	0.00	4.57	4.57	0.00	5.03	5.03	0.00	0.00%	
North	U116	1.44	1.44	0.00	2.41	2.41	0.00	8.13	8.13	0.00	5.36	5.36	0.00	4.61	4.61	0.00	3.45	3.45	0.00	2.53	2.53	0.00	2.96	2.96	0.00	0.00%	
North	U117	3.02	3.02	0.00	5.04	5.04	0.00	14.88	14.88	0.00	9.83	9.83	0.00	8.48	8.48	0.00	6.48	6.48									

2012 AS-INSPECTED EFFECTS ON GUSSET PLATES (RIVET CAPACITY CHECK IGNORED)

Truss	Panel Point	GUSSET PLATE RATING FACTOR COMPARISON																										
		HS-20 (INV.)			HS-20 (OPR.)			2F1			3F1			4F1			5C1			HS-20 Truck Train			5C1 Truck Train			HS-20 (OPR) % Reduc.		
		AB	AI	Change	AB	AI	Change	AB	AI	Change	AB	AI	Change	AB	AI	Change	AB	AI	Change	AB	AI	Change	AB	AI	Change		AB	AI
North	L3	1.87	1.87	0.00	3.13	3.13	0.00	6.71	6.71	0.00	4.54	4.54	0.00	3.98	3.98	0.00	3.49	3.49	0.00	3.11	3.11	0.00	3.49	3.49	0.00	0.00		
North	L4	2.13	2.06	-0.06	3.55	3.45	-0.10	7.91	7.68	-0.23	5.28	5.13	-0.15	4.54	4.41	-0.13	3.72	3.61	-0.11	3.20	3.11	-0.09	3.66	3.55	-0.11	2.90%		
North	L5	1.42	1.08	-0.34	2.37	1.80	-0.57	5.30	4.04	-1.26	3.53	2.69	-0.84	3.08	2.34	-0.74	2.62	1.95	-0.68	2.29	1.67	-0.62	2.70	1.97	-0.73	24.14%		
North	L6	1.44	1.44	0.00	2.40	2.40	0.00	5.87	5.87	0.00	3.89	3.89	0.00	3.38	3.38	0.00	2.71	2.71	0.00	2.26	2.26	0.00	2.62	2.62	0.00	0.00%		
North	L7	1.77	1.77	0.00	2.95	2.95	0.00	7.93	7.93	0.00	5.25	5.25	0.00	4.54	4.54	0.00	3.54	3.54	0.00	2.93	2.93	0.00	3.20	3.20	0.00	0.00%		
North	L8	1.57	1.57	0.00	2.61	2.61	0.00	6.93	6.93	0.00	4.65	4.65	0.00	4.10	4.10	0.00	3.29	3.29	0.00	2.56	2.56	0.00	2.89	2.89	0.00	0.00%		
North	L9	1.81	1.81	0.00	3.02	3.02	0.00	7.39	7.39	0.00	4.97	4.97	0.00	4.38	4.38	0.00	4.09	4.09	0.00	2.88	2.88	0.00	3.58	3.58	0.00	0.00%		
North	L10	3.00	3.00	0.00	5.00	5.00	0.00	17.22	17.22	0.00	11.42	11.42	0.00	9.80	9.80	0.00	7.34	7.34	0.00	5.76	5.76	0.00	6.15	6.15	0.00	0.00%		
North	L11	1.62	1.62	0.00	2.70	2.70	0.00	7.39	7.39	0.00	4.92	4.92	0.00	4.28	4.28	0.00	3.27	3.27	0.00	2.71	2.71	0.00	2.97	2.97	0.00	0.00%		
North	L12	1.31	1.22	-0.09	2.18	2.04	-0.15	5.76	5.44	-0.32	3.84	3.63	-0.21	3.35	3.16	-0.18	2.59	2.44	-0.15	2.18	2.05	-0.12	2.38	2.24	-0.14	6.73%		
North	L13	1.31	0.98	-0.33	2.19	1.64	-0.55	5.59	4.18	-1.41	3.74	2.79	-0.94	3.26	2.44	-0.82	2.55	1.91	-0.64	2.23	1.67	-0.56	2.37	1.77	-0.60	25.24%		
North	L14	1.15	1.13	-0.02	1.93	1.89	-0.03	7.75	7.59	-0.16	3.52	3.46	-0.06	3.04	2.99	-0.05	2.35	2.31	-0.04	1.95	1.92	-0.04	2.12	2.08	-0.04	1.80%		
North	L15	1.47	1.47	0.00	2.46	2.46	0.00	7.21	7.21	0.00	4.50	4.50	0.00	3.88	3.88	0.00	3.00	3.00	0.00	2.49	2.49	0.00	2.70	2.70	0.00	0.00%		
North	L16	1.76	1.76	0.00	2.94	2.94	0.00	7.56	7.56	0.00	5.02	5.02	0.00	4.35	4.35	0.00	3.46	3.46	0.00	2.85	2.85	0.00	3.09	3.09	0.00	0.00%		
North	L17	1.26	1.25	-0.01	2.10	2.08	-0.01	5.54	5.50	-0.04	3.67	3.64	-0.03	3.18	3.16	-0.02	2.50	2.48	-0.02	2.14	2.13	-0.01	2.29	2.27	-0.02	0.69%		
North	L18	1.31	1.08	-0.23	2.18	1.80	-0.38	5.59	4.87	-0.71	3.70	3.22	-0.48	3.21	2.79	-0.42	2.52	2.17	-0.35	2.08	1.79	-0.29	2.29	1.97	-0.32	17.42%		
North	L19	2.53	2.53	0.00	4.22	4.22	0.00	11.12	11.12	0.00	7.36	7.36	0.00	6.37	6.37	0.00	4.95	4.95	0.00	4.09	4.09	0.00	4.50	4.50	0.00	0.00%		
North	L20	3.07	3.07	0.00	5.12	5.12	0.00	16.05	16.05	0.00	10.62	10.62	0.00	9.15	9.15	0.00	6.93	6.93	0.00	5.63	5.63	0.00	6.02	6.02	0.00	0.00%		
North	L21	2.58	2.58	0.00	4.31	4.31	0.00	9.33	9.33	0.00	6.42	6.42	0.00	5.57	5.57	0.00	5.40	5.40	0.00	4.10	4.10	0.00	5.04	5.04	0.00	0.00%		
North	L22	1.81	1.81	0.00	3.02	3.02	0.00	7.22	7.22	0.00	4.99	4.99	0.00	4.33	4.33	0.00	3.52	3.52	0.00	2.91	2.91	0.00	3.33	3.33	0.00	0.00%		
North	L23	1.90	1.90	0.00	3.17	3.17	0.00	7.31	7.31	0.00	4.90	4.90	0.00	4.30	4.30	0.00	3.51	3.51	0.00	2.97	2.97	0.00	3.45	3.45	0.00	0.00%		
North	L24	1.30	0.93	-0.37	2.17	1.55	-0.62	4.67	3.33	-1.34	3.16	2.25	-0.91	2.77	1.97	-0.80	2.42	1.72	-0.69	2.10	1.50	-0.60	2.43	1.73	-0.70	28.75%		
North	L25	2.19	2.19	0.00	3.65	3.65	0.00	6.35	6.35	0.00	4.34	4.34	0.00	3.98	3.98	0.00	4.48	4.48	0.00	3.57	3.57	0.00	4.54	4.54	0.00	0.00%		
North	L26	1.65	1.65	0.00	2.75	2.75	0.00	5.92	5.92	0.00	3.98	3.98	0.00	3.52	3.52	0.00	3.34	3.34	0.00	2.76	2.76	0.00	3.39	3.39	0.00	0.00%		
North	L27	1.36	1.36	0.00	2.27	2.27	0.00	5.03	5.03	0.00	3.36	3.36	0.00	2.94	2.94	0.00	2.58	2.58	0.00	2.20	2.20	0.00	2.59	2.59	0.00	0.00%		
North	L28	2.71	2.71	0.00	4.53	4.53	0.00	10.22	10.22	0.00	6.79	6.79	0.00	5.90	5.90	0.00	4.86	4.86	0.00	4.07	4.07	0.00	4.81	4.81	0.00	0.00%		
North	L29	2.59	2.59	0.00	4.32	4.32	0.00	10.21	10.21	0.00	6.84	6.84	0.00	6.01	6.01	0.00	4.92	4.92	0.00	4.05	4.05	0.00	4.69	4.69	0.00	0.00%		
North	L30	3.15	3.15	0.00	5.26	5.26	0.00	18.38	18.38	0.00	12.22	12.22	0.00	10.48	10.48	0.00	7.87	7.87	0.00	6.07	6.07	0.00	6.59	6.59	0.00	0.00%		
North	L31	1.74	1.64	-0.11	2.91	2.74	-0.18	8.10	7.61	-0.49	5.39	5.06	-0.33	4.69	4.41	-0.28	3.58	3.36	-0.22	2.96	2.78	-0.18	3.24	3.04	-0.20	6.05%		
North	L32	0.98	0.98	0.00	1.63	1.63	0.00	4.36	4.36	0.00	2.91	2.91	0.00	2.53	2.53	0.00	1.95	1.95	0.00	1.64	1.64	0.00	1.79	1.79	0.00	0.00%		
North	L33	0.86	0.86	0.00	1.44	1.44	0.00	3.74	3.74	0.00	2.50	2.50	0.00	2.17	2.17	0.00	1.70	1.70	0.00	1.47	1.47	0.00	1.58	1.58	0.00	0.00%		
North	L34	1.25	1.25	0.00	2.08	2.08	0.00	5.15	5.15	0.00	3.45	3.45	0.00	3.01	3.01	0.00	2.41	2.41	0.00	2.00	2.00	0.00	2.26	2.26	0.00	0.00%		
North	L35	2.93	2.93	0.00	4.88	4.88	0.00	11.26	11.26	0.00	7.69	7.69	0.00	6.93	6.93	0.00	5.77	5.77	0.00	4.92	4.92	0.00	5.93	5.93	0.00	0.00%		
North	L36	1.13	1.07	-0.05	1.88	1.79	-0.09	4.86	4.64	-0.22	3.22	3.08	-0.15	2.80	2.67	-0.13	2.25	2.15	-0.10	1.89	1.81	-0.09	2.15	2.05	-0.10	4.58%		
North	L37	1.01	1.01	0.00	1.68	1.68	0.00	4.46	4.46	0.00	2.95	2.95	0.00	2.56	2.56	0.00	2.02	2.02	0.00	1.71	1.71	0.00	1.84	1.84	0.00	0.00%		
North	L38	1.63	1.27	-0.36	2.72	2.12	-0.61	6.99	5.43	-1.56	4.63	3.60	-1.03	4.01	3.12	-0.90	3.14	2.44	-0.70	2.59	2.01	-0.58	2.85	2.22	-0.64	22.32%		
North	L39	1.81	1.67	-0.13	3.02	2.79	-0.22	8.00	7.41	-0.59	5.30	4.90	-0.39	4.59	4.25	-0.34	3.58	3.31	-0.26	2.96	2.74	-0.22	3.25	3.01	-0.24	7.38%		
North	L40	1.94	1.94	0.00	3.24	3.24	0.00	10.57	10.57	0.00	7.00	7.00	0.00	6.04	6.04	0.00	4.62	4.62	0.00	3.59	3.59	0.00	3.97	3.97	0.00	0.00%		
North	L41	2.28	2.28	0.00	3.81	3.81	0.00	9.59	9.59	0.00	6.57	6.57	0.00	5.72	5.72	0.00	4.66	4.66	0.00	3.83	3.83	0.00	4.21	4.21	0.00	0.00%		
North	L42	2.31	2.31	0.00	3.86	3.86	0.00	9.82	9.82	0.00	6.55	6.55	0.00	5.71	5.71	0.00	4.45	4.45	0.00	3.70	3.70	0.00	4.21	4.21	0.00	0.00%		
North	L43	1.33	1.33	0.00	2.22	2.22	0.00	5.23	5.23	0.00	3.51	3.51	0.00	3.08	3.08	0.00	2.53	2.53	0.00	2.12	2.12	0.00	2.45	2.45	0.00	0.00%		
North	L44	1.58	1.58	0.00	2.63	2.63	0.00	5.64	5.64	0.00	3.82	3.82	0.00	3.34	3.34	0.00	2.91	2.91	0.00	2.49	2.49	0.00	2.88	2.88	0.00	0.00%		
North	L45	2.38	2.38	0.00	3.98	3.98	0.00	6.94	6.94	0.00	4.74	4.74	0.00	4.34	4.34	0.00	5.05	5.05	0.00	3.98	3.98	0.00	4.99	4.99	0.00	0.00%		
North	L46	1.40	1.40	0.00	2.33	2.33	0.00	5.17	5.17	0.00	3.45	3.45	0.00	3.02	3.02	0.00	2.65	2.65	0.00	2.27	2.27	0.00	2.67	2.67	0.00	0.00%		
North	L47	1.33	1.33	0.00	2.23	2.23	0.00	5.02	5.02	0.00	3.33	3.33	0.00	2.90	2.90	0.00	2.39	2.39	0.00	2.02	2.02	0.00	2.34	2.34	0.00	0.00%		
North	L48	4.31	4.31	0.00	7.19	7.19	0.00	17.47	17.47	0.00	11.55	11.55	0.00	9.99	9.99	0.00	7.83	7.83	0.00	6.49	6.49	0.00	7.43	7.43	0.00	0.00%		
North	L49	2.29	2.29	0.00	3.82	3.82	0.00	9.41	9.41	0.00	6.25	6.25	0.00	5.46	5.46	0.00	4.54	4.54	0.00	3.68	3.68	0.00	4.06	4.06	0.00	0.00%		
North	L50	2.45	2.45	0.00	4.09	4.09	0.00	15.09	15.09	0.00	9.91	9.91	0.00	8.49	8													

2012 AS-INSPECTED EFFECTS ON GUSSET PLATES (RIVET CAPACITY CHECK IGNORED)

GUSSET PLATE RATING FACTOR COMPARISON																										
Truss	Panel Point	HS-20 (INV.)			HS-20 (OPR.)			2F1			3F1			4F1			5C1			HS-20 Truck Train			5C1 Truck Train			HS-20 (OPR) % Reduc.
		AB	AI	Change	AB	AI	Change	AB	AI	Change	AB	AI	Change	AB	AI	Change	AB	AI	Change	AB	AI	Change	AB	AI	Change	
North	L72	1.92	1.92	0.00	3.21	3.21	0.00	8.26	8.26	0.00	5.46	5.46	0.00	4.77	4.77	0.00	3.93	3.93	0.00	3.23	3.23	0.00	3.59	3.59	0.00	0.00%
North	L73	2.08	2.08	0.00	3.48	3.48	0.00	8.61	8.61	0.00	5.71	5.71	0.00	4.95	4.95	0.00	4.47	4.47	0.00	3.34	3.34	0.00	4.02	4.02	0.00	0.00%
North	L74	2.73	2.73	0.00	4.55	4.55	0.00	18.05	18.05	0.00	11.83	11.83	0.00	10.14	10.14	0.00	7.40	7.40	0.00	5.28	5.28	0.00	5.80	5.80	0.00	0.00%
North	L75	1.26	1.26	0.00	2.11	2.11	0.00	8.35	8.35	0.00	5.50	5.50	0.00	4.71	4.71	0.00	3.45	3.45	0.00	2.49	2.49	0.00	2.71	2.71	0.00	0.00%
North	L76	1.13	1.13	0.00	1.89	1.89	0.00	7.31	7.31	0.00	4.82	4.82	0.00	4.12	4.12	0.00	3.03	3.03	0.00	2.24	2.24	0.00	2.41	2.41	0.00	0.00%
North	L77	1.54	1.54	0.00	2.57	2.57	0.00	9.89	9.89	0.00	6.52	6.52	0.00	5.58	5.58	0.00	4.10	4.10	0.00	3.08	3.08	0.00	3.29	3.29	0.00	0.00%
North	L78	1.38	1.38	0.00	2.31	2.31	0.00	8.67	8.67	0.00	5.72	5.72	0.00	4.89	4.89	0.00	3.62	3.62	0.00	2.69	2.69	0.00	2.94	2.94	0.00	0.00%
North	L79	2.02	2.02	0.00	3.37	3.37	0.00	12.18	12.18	0.00	8.04	8.04	0.00	6.88	6.88	0.00	5.10	5.10	0.00	3.88	3.88	0.00	4.21	4.21	0.00	0.00%
North	L80	1.41	1.36	-0.05	2.35	2.28	-0.08	9.59	9.27	-0.31	6.27	6.07	-0.21	5.37	5.20	-0.18	3.93	3.80	-0.13	2.81	2.72	-0.09	3.03	2.93	-0.10	3.27%
North	L81	1.69	1.66	-0.02	2.81	2.78	-0.04	11.67	11.50	-0.16	7.63	7.52	-0.11	6.54	6.45	-0.09	4.80	4.73	-0.07	3.38	3.33	-0.05	3.67	3.62	-0.05	1.38%
North	L82	2.05	2.05	0.00	3.43	3.43	0.00	14.20	14.20	0.00	9.29	9.29	0.00	7.96	7.96	0.00	5.83	5.83	0.00	4.09	4.09	0.00	4.44	4.44	0.00	0.00%
North	L83	1.87	1.87	0.00	3.13	3.13	0.00	12.65	12.65	0.00	8.28	8.28	0.00	7.10	7.10	0.00	5.19	5.19	0.00	3.64	3.64	0.00	3.96	3.96	0.00	0.00%
North	L84	2.05	2.05	0.00	3.43	3.43	0.00	13.00	13.00	0.00	8.56	8.56	0.00	7.36	7.36	0.00	5.49	5.49	0.00	4.14	4.14	0.00	4.48	4.48	0.00	0.00%
North	L85	1.63	1.63	0.00	2.86	2.86	0.00	10.69	10.69	0.00	7.03	7.03	0.00	6.05	6.05	0.00	4.47	4.47	0.00	3.25	3.25	0.00	3.56	3.56	0.00	0.00%
North	L86	1.31	1.31	0.00	2.34	2.34	0.00	8.67	8.67	0.00	5.70	5.70	0.00	4.90	4.90	0.00	3.62	3.62	0.00	2.66	2.66	0.00	2.89	2.89	0.00	0.01%
North	L87	1.92	1.92	0.00	3.21	3.21	0.00	11.34	11.34	0.00	7.46	7.46	0.00	6.41	6.41	0.00	4.75	4.75	0.00	3.53	3.53	0.00	3.78	3.78	0.00	0.00%
North	L88	2.42	2.42	0.00	4.04	4.04	0.00	13.62	13.62	0.00	8.97	8.97	0.00	7.71	7.71	0.00	5.75	5.75	0.00	4.25	4.25	0.00	4.66	4.66	0.00	0.00%
North	L89	3.08	3.08	0.00	5.14	5.14	0.00	16.46	16.46	0.00	10.78	10.78	0.00	9.24	9.24	0.00	6.80	6.80	0.00	5.48	5.48	0.00	6.01	6.01	0.00	0.00%
North	L90	4.32	4.32	0.00	7.21	7.21	0.00	17.94	17.94	0.00	11.74	11.74	0.00	10.08	10.08	0.00	7.48	7.48	0.00	6.31	6.31	0.00	6.78	6.78	0.00	0.00%
North	L91	4.27	4.27	0.00	7.13	7.13	0.00	19.31	19.31	0.00	12.66	12.66	0.00	10.88	10.88	0.00	8.18	8.18	0.00	6.74	6.74	0.00	7.42	7.42	0.00	0.00%
North	L92	2.90	2.90	0.00	4.84	4.84	0.00	10.42	10.42	0.00	6.89	6.89	0.00	6.03	6.03	0.00	5.88	5.88	0.00	6.57	6.57	0.00	8.16	8.16	0.00	0.00%
North	L93	3.43	3.16	-0.26	5.72	5.28	-0.44	14.73	13.61	-1.12	9.75	9.01	-0.74	8.45	7.80	-0.64	7.33	6.77	-0.56	5.53	5.11	-0.42	6.33	5.84	-0.48	7.62%
North	L94	2.28	1.70	-0.58	3.81	2.85	-0.96	9.87	8.88	-0.99	6.53	5.88	-0.65	5.69	5.06	-0.63	5.33	4.02	-1.31	3.95	3.01	-0.95	4.44	3.32	-1.12	25.23%
North	L95	2.21	2.04	-0.16	3.68	3.41	-0.27	11.52	10.67	-0.85	7.63	7.07	-0.56	6.59	6.10	-0.49	5.06	4.68	-0.37	3.82	3.54	-0.28	4.43	4.10	-0.33	7.39%
North	L96	2.92	2.92	0.00	4.87	4.87	0.00	16.78	16.78	0.00	11.10	11.10	0.00	9.50	9.50	0.00	7.21	7.21	0.00	5.64	5.64	0.00	6.26	6.26	0.00	0.00%
North	L97	2.48	1.58	-0.90	4.13	2.63	-1.50	11.20	7.13	-4.07	7.42	4.72	-2.69	6.35	4.05	-2.31	4.92	3.13	-1.79	3.99	2.54	-1.45	4.40	2.80	-1.60	36.32%
North	L98	2.03	2.03	0.00	3.40	3.40	0.00	7.89	7.89	0.00	5.24	5.24	0.00	4.49	4.49	0.00	3.57	3.57	0.00	2.94	2.94	0.00	3.41	3.41	0.00	0.00%
North	L99	2.73	2.73	0.00	4.56	4.56	0.00	11.09	11.09	0.00	7.26	7.26	0.00	6.27	6.27	0.00	4.92	4.92	0.00	4.19	4.19	0.00	4.59	4.59	0.00	0.00%
North	L100	4.18	4.18	0.00	6.98	6.98	0.00	13.20	13.20	0.00	8.86	8.86	0.00	7.96	7.96	0.00	7.58	7.58	0.00	6.46	6.46	0.00	7.09	7.09	0.00	0.00%
North	L101	2.78	2.71	-0.06	4.64	4.53	-0.11	11.34	11.08	-0.26	7.44	7.26	-0.17	6.41	6.26	-0.15	5.04	4.92	-0.12	4.29	4.19	-0.10	4.71	4.60	-0.11	2.32%
North	L102	2.61	2.61	0.00	4.36	4.36	0.00	10.47	10.47	0.00	6.92	6.92	0.00	5.99	5.99	0.00	4.74	4.74	0.00	3.94	3.94	0.00	4.62	4.62	0.00	0.00%
North	L103	2.53	2.53	0.00	4.23	4.23	0.00	11.45	11.45	0.00	7.55	7.55	0.00	6.52	6.52	0.00	5.04	5.04	0.00	4.11	4.11	0.00	4.53	4.53	0.00	0.00%
North	L104	3.40	3.25	-0.14	5.67	5.43	-0.24	16.38	15.74	-0.64	10.79	10.37	-0.42	9.31	8.93	-0.37	7.05	6.78	-0.27	5.51	5.31	-0.20	6.13	5.92	-0.21	4.25%
North	L105	1.22	1.01	-0.20	2.03	1.69	-0.34	6.49	5.40	-1.09	4.27	3.55	-0.72	3.67	3.05	-0.62	2.73	2.27	-0.46	2.05	1.71	-0.35	2.38	1.98	-0.40	16.82%
North	L106	1.81	1.65	-0.16	3.02	2.75	-0.26	9.36	8.54	-0.81	6.20	5.66	-0.54	5.35	4.88	-0.47	4.29	3.92	-0.37	3.09	2.82	-0.27	3.56	3.25	-0.31	8.71%
North	L107	2.82	2.82	0.00	4.71	4.71	0.00	12.79	12.79	0.00	8.50	8.50	0.00	7.33	7.33	0.00	6.24	6.24	0.00	4.69	4.69	0.00	5.33	5.33	0.00	0.00%
North	L108	3.25	3.25	0.00	7.04	6.72	-0.31	15.57	14.88	-0.69	10.34	9.88	-0.46	8.93	8.54	-0.40	7.78	7.43	-0.34	6.61	6.32	-0.29	7.64	7.30	-0.34	4.44%
North	L109	3.78	3.78	0.00	6.32	6.32	0.00	16.19	16.19	0.00	10.60	10.60	0.00	9.11	9.11	0.00	6.83	6.83	0.00	5.50	5.50	0.00	6.06	6.06	0.00	0.00%
North	L110	3.44	3.44	0.00	5.74	5.74	0.00	13.34	13.34	0.00	8.73	8.73	0.00	7.50	7.50	0.00	5.56	5.56	0.00	4.71	4.71	0.00	5.05	5.05	0.00	0.00%
North	L111	2.05	2.05	0.00	3.43	3.43	0.00	9.62	9.62	0.00	6.33	6.33	0.00	5.44	5.44	0.00	4.55	4.55	0.00	3.44	3.44	0.00	3.85	3.85	0.00	0.00%
North	L112	2.00	1.94	-0.06	3.33	3.23	-0.10	10.95	10.91	-0.04	7.20	7.17	-0.02	6.20	6.18	-0.02	4.60	4.58	-0.02	3.43	3.42	-0.01	3.79	3.77	-0.01	3.02%
North	L113	1.40	1.08	-0.32	2.34	1.81	-0.54	9.26	7.14	-2.12	6.08	4.69	-1.39	5.23	4.03	-1.20	3.79	2.92	-0.87	2.82	2.17	-0.65	3.17	2.44	-0.73	22.93%
North	L114	1.08	0.71	-0.36	1.80	1.19	-0.61	6.76	4.93	-1.83	4.44	3.24	-1.20	3.82	2.78	-1.04	2.79	2.01	-0.78	2.07	1.49	-0.58	2.31	1.62	-0.70	33.89%
North	L115	1.21	1.19	-0.02	2.01	1.99	-0.03	7.87	7.77	-0.10	5.11	5.11	0.00	4.45	4.45	0.00	3.24	3.20	-0.04	2.46	2.43	-0.03	2.65	2.62	-0.03	1.29%
North	L116	1.64	1.60	-0.04	2.74	2.66	-0.07	10.65	10.37	-0.28	7.11	6.82	-0.19	6.02	5.86	-0.16	4.44	4.32	-0.12	3.38	3.29	-0.09	3.67	3.57	-0.10	2.66%
North	L117	2.07	2.02	-0.04	3.45	3.38	-0.07	11.66	11.45	-0.21	7.68	7.54	-0.14	6.61	6.49	-0.12	4.94	4.85	-0.09	3.62	3.54	-0.08	4.01	3.87	-0.14	2.09%
North	L118	1.42	1.42	0.00	2.37	2.37	0.00	8.63	8.63	0.00	5.65	5.65	0.00	4.85	4.85	0.00	3.57	3.57	0.00	2.55	2.55	0.00	2.79	2.79	0.00	0.00%
North	L119	0.77	0.74	-0.03	1.28	1.23	-0.05	4.66	4.49	-0.17	3.05	2.94	-0.11	2.62	2.52	-0.10	1.93	1.86	-0.07	1.38	1.32	-0.05	1.50	1.45	-0.06	3.72%
North	L120	1.05	0.97	-0.08	1.75	1.62	-0.13	6.28	5.82	-0.47	4.11	3.														

2012 AS-INSPECTED EFFECTS ON GUSSET PLATES (RIVET CAPACITY CHECK IGNORED)

GUSSET PLATE RATING FACTOR COMPARISON																										
Truss	Panel Point	HS-20 (INV.)			HS-20 (OPR.)			2F1			3F1			4F1			5C1			HS-20 Truck Train			5C1 Truck Train			HS-20 (OPR) % Reduc.
		AB	AI	Change	AB	AI	Change	AB	AI	Change	AB	AI	Change	AB	AI	Change	AB	AI	Change	AB	AI	Change	AB	AI	Change	
South	U7	2.84	2.84	0.00	4.75	4.75	0.00	10.86	10.86	0.00	7.18	7.18	0.00	6.22	6.22	0.00	4.86	4.86	0.00	4.02	4.02	0.00	4.39	4.39	0.00	0.00%
South	U8	2.09	2.09	0.00	3.49	3.49	0.00	9.57	9.57	0.00	6.38	6.38	0.00	5.56	5.56	0.00	4.37	4.37	0.00	3.41	3.41	0.00	3.81	3.81	0.00	0.00%
South	U9	2.23	2.23	0.00	3.72	3.72	0.00	9.95	9.95	0.00	6.63	6.63	0.00	5.79	5.79	0.00	4.92	4.92	0.00	3.59	3.59	0.00	4.24	4.24	0.00	0.00%
South	U10	3.34	3.34	0.00	5.57	5.57	0.00	13.61	13.61	0.00	9.05	9.05	0.00	7.88	7.88	0.00	6.02	6.02	0.00	4.99	4.99	0.00	5.46	5.46	0.00	0.00%
South	U11	2.22	2.22	0.00	3.70	3.70	0.00	9.12	9.12	0.00	6.06	6.06	0.00	5.27	5.27	0.00	4.01	4.01	0.00	3.33	3.33	0.00	3.64	3.64	0.00	0.00%
South	U12	2.52	2.52	0.00	4.20	4.20	0.00	9.86	9.86	0.00	6.59	6.59	0.00	5.75	5.75	0.00	4.50	4.50	0.00	3.94	3.94	0.00	4.18	4.18	0.00	0.00%
South	U13	2.74	2.74	0.00	4.57	4.57	0.00	11.39	11.39	0.00	7.63	7.63	0.00	6.68	6.68	0.00	5.34	5.34	0.00	4.30	4.30	0.00	4.89	4.89	0.00	0.00%
South	U14	2.09	2.09	0.00	3.48	3.48	0.00	9.80	9.80	0.00	6.46	6.46	0.00	5.57	5.57	0.00	4.31	4.31	0.00	3.52	3.52	0.00	3.89	3.89	0.00	0.00%
South	U15	4.14	4.14	0.00	6.91	6.91	0.00	12.04	12.04	0.00	8.22	8.22	0.00	7.54	7.54	0.00	8.76	8.76	0.00	6.90	6.90	0.00	8.64	8.64	0.00	0.00%
South	U16	2.10	2.10	0.00	3.51	3.51	0.00	9.89	9.89	0.00	6.52	6.52	0.00	5.62	5.62	0.00	4.35	4.35	0.00	3.55	3.55	0.00	3.93	3.93	0.00	0.00%
South	U17	2.10	2.10	0.00	3.50	3.50	0.00	9.45	9.45	0.00	6.26	6.26	0.00	5.38	5.38	0.00	4.13	4.13	0.00	3.41	3.41	0.00	3.69	3.69	0.00	0.00%
South	U18	2.67	2.67	0.00	4.45	4.45	0.00	10.93	10.93	0.00	7.24	7.24	0.00	6.27	6.27	0.00	4.93	4.93	0.00	4.17	4.17	0.00	4.48	4.48	0.00	0.00%
South	U19	2.38	2.38	0.00	3.98	3.98	0.00	9.53	9.53	0.00	6.31	6.31	0.00	5.47	5.47	0.00	4.30	4.30	0.00	3.55	3.55	0.00	3.91	3.91	0.00	0.00%
South	U20	3.58	3.58	0.00	5.97	5.97	0.00	13.43	13.43	0.00	8.92	8.92	0.00	7.68	7.68	0.00	6.03	6.03	0.00	5.31	5.31	0.00	6.05	6.05	0.00	0.00%
South	U21	2.65	2.65	0.00	4.43	4.43	0.00	10.42	10.42	0.00	7.08	7.08	0.00	6.18	6.18	0.00	5.36	5.36	0.00	4.23	4.23	0.00	4.96	4.96	0.00	0.00%
South	U22	2.61	2.61	0.00	4.36	4.36	0.00	10.59	10.59	0.00	7.11	7.11	0.00	6.24	6.24	0.00	5.05	5.05	0.00	4.17	4.17	0.00	4.77	4.77	0.00	0.00%
South	U23	2.65	2.65	0.00	4.42	4.42	0.00	9.49	9.49	0.00	6.43	6.43	0.00	5.62	5.62	0.00	4.91	4.91	0.00	4.27	4.27	0.00	4.93	4.93	0.00	0.00%
South	U24	2.79	2.79	0.00	4.66	4.66	0.00	9.64	9.64	0.00	6.61	6.61	0.00	5.82	5.82	0.00	5.68	5.68	0.00	4.53	4.53	0.00	5.76	5.76	0.00	0.00%
South	U25	2.78	2.78	0.00	4.64	4.64	0.00	8.08	8.08	0.00	5.52	5.52	0.00	5.06	5.06	0.00	5.92	5.92	0.00	4.64	4.64	0.00	5.84	5.84	0.00	0.00%
South	U26	4.41	4.41	0.00	7.37	7.37	0.00	15.10	15.10	0.00	10.30	10.30	0.00	9.24	9.24	0.00	10.39	10.39	0.00	7.57	7.57	0.00	10.55	10.55	0.00	0.00%
South	U27	2.13	2.13	0.00	3.56	3.56	0.00	7.67	7.67	0.00	5.16	5.16	0.00	4.56	4.56	0.00	4.19	4.19	0.00	3.57	3.57	0.00	4.23	4.23	0.00	0.00%
South	U28	2.51	2.51	0.00	4.18	4.18	0.00	9.26	9.26	0.00	6.18	6.18	0.00	5.41	5.41	0.00	4.75	4.75	0.00	4.05	4.05	0.00	4.77	4.77	0.00	0.00%
South	U29	2.65	2.65	0.00	4.43	4.43	0.00	10.42	10.42	0.00	6.98	6.98	0.00	6.13	6.13	0.00	5.02	5.02	0.00	4.13	4.13	0.00	4.79	4.79	0.00	0.00%
South	U30	2.92	2.92	0.00	4.88	4.88	0.00	11.88	11.88	0.00	7.91	7.91	0.00	6.89	6.89	0.00	5.26	5.26	0.00	4.36	4.36	0.00	4.77	4.77	0.00	0.00%
South	U31	1.91	1.91	0.00	3.18	3.18	0.00	7.65	7.65	0.00	5.10	5.10	0.00	4.44	4.44	0.00	3.43	3.43	0.00	2.89	2.89	0.00	3.15	3.15	0.00	0.00%
South	U32	1.91	1.91	0.00	3.19	3.19	0.00	7.59	7.59	0.00	5.07	5.07	0.00	4.41	4.41	0.00	3.46	3.46	0.00	3.00	3.00	0.00	3.22	3.22	0.00	0.00%
South	U33	2.38	2.38	0.00	3.98	3.98	0.00	9.23	9.23	0.00	6.19	6.19	0.00	5.41	5.41	0.00	4.33	4.33	0.00	3.61	3.61	0.00	4.09	4.09	0.00	0.00%
South	U34	1.87	1.87	0.00	3.13	3.13	0.00	8.75	8.75	0.00	5.77	5.77	0.00	4.97	4.97	0.00	3.85	3.85	0.00	3.16	3.16	0.00	3.49	3.49	0.00	0.00%
South	U35	3.82	3.82	0.00	6.37	6.37	0.00	11.12	11.12	0.00	7.59	7.59	0.00	6.97	6.97	0.00	8.10	8.10	0.00	6.40	6.40	0.00	8.32	8.32	0.00	0.00%
South	U36	1.81	1.81	0.00	3.02	3.02	0.00	8.44	8.44	0.00	5.57	5.57	0.00	4.79	4.79	0.00	3.72	3.72	0.00	3.04	3.04	0.00	3.36	3.36	0.00	0.00%
South	U37	1.99	1.99	0.00	3.33	3.33	0.00	7.92	7.92	0.00	5.24	5.24	0.00	4.54	4.54	0.00	3.55	3.55	0.00	2.99	2.99	0.00	3.27	3.27	0.00	0.00%
South	U38	1.74	1.74	0.00	2.91	2.91	0.00	7.14	7.14	0.00	4.72	4.72	0.00	4.09	4.09	0.00	3.18	3.18	0.00	2.63	2.63	0.00	2.88	2.88	0.00	0.00%
South	U39	2.50	2.50	0.00	4.18	4.18	0.00	10.09	10.09	0.00	6.68	6.68	0.00	5.79	5.79	0.00	4.54	4.54	0.00	3.75	3.75	0.00	4.13	4.13	0.00	0.00%
South	U40	2.67	2.67	0.00	4.46	4.46	0.00	10.58	10.58	0.00	7.02	7.02	0.00	6.09	6.09	0.00	4.80	4.80	0.00	3.99	3.99	0.00	4.40	4.40	0.00	0.00%
South	U41	3.09	3.09	0.00	5.15	5.15	0.00	12.98	12.98	0.00	8.65	8.65	0.00	7.55	7.55	0.00	5.90	5.90	0.00	4.89	4.89	0.00	5.58	5.58	0.00	0.00%
South	U42	2.36	2.36	0.00	3.94	3.94	0.00	9.01	9.01	0.00	6.06	6.06	0.00	5.31	5.31	0.00	4.35	4.35	0.00	3.67	3.67	0.00	4.25	4.25	0.00	0.00%
South	U43	2.54	2.54	0.00	4.25	4.25	0.00	9.11	9.11	0.00	6.17	6.17	0.00	5.39	5.39	0.00	4.71	4.71	0.00	4.05	4.05	0.00	4.63	4.63	0.00	0.00%
South	U44	4.04	4.04	0.00	6.74	6.74	0.00	14.05	14.05	0.00	9.62	9.62	0.00	8.54	8.54	0.00	7.55	7.55	0.00	6.45	6.45	0.00	7.35	7.35	0.00	0.00%
South	U45	4.09	4.09	0.00	6.83	6.83	0.00	11.91	11.91	0.00	8.14	8.14	0.00	7.46	7.46	0.00	8.66	8.66	0.00	6.83	6.83	0.00	8.55	8.55	0.00	0.00%
South	U46	3.64	3.64	0.00	6.08	6.08	0.00	13.08	13.08	0.00	8.80	8.80	0.00	7.77	7.77	0.00	7.17	7.17	0.00	6.12	6.12	0.00	7.29	7.29	0.00	0.00%
South	U47	2.80	2.80	0.00	4.68	4.68	0.00	10.31	10.31	0.00	6.89	6.89	0.00	6.04	6.04	0.00	5.32	5.32	0.00	4.55	4.55	0.00	5.36	5.36	0.00	0.00%
South	U48	4.40	4.40	0.00	7.34	7.34	0.00	17.14	17.14	0.00	11.40	11.40	0.00	9.94	9.94	0.00	8.31	8.31	0.00	7.00	7.00	0.00	8.21	8.21	0.00	0.00%
South	U49	3.09	3.09	0.00	5.16	5.16	0.00	13.43	13.43	0.00	8.94	8.94	0.00	7.80	7.80	0.00	6.38	6.38	0.00	5.62	5.62	0.00	5.89	5.89	0.00	0.00%
South	U50	2.10	2.10	0.00	3.50	3.50	0.00	10.11	10.11	0.00	6.65	6.65	0.00	5.75	5.75	0.00	4.40	4.40	0.00	3.53	3.53	0.00	3.89	3.89	0.00	0.00%
South	U51	2.10	2.10	0.00	3.51	3.51	0.00	10.18	10.18	0.00	6.70	6.70	0.00	5.78	5.78	0.00	4.45	4.45	0.00	3.77	3.77	0.00	4.03	4.03	0.00	0.00%
South	U52	2.05	2.05	0.00	3.43	3.43	0.00	9.86	9.86	0.00	6.49	6.49	0.00	5.60	5.60	0.00	4.33	4.33	0.00	3.66	3.66	0.00	4.01	4.01	0.00	0.00%
South	U53	3.35	3.35	0.00	5.60	5.60	0.00	15.49	15.49	0.00	10.21	10.21	0.00	8.82	8.82	0.00	6.89	6.89	0.00	5.76	5.76	0.00	6.25	6.25	0.00	0.00%
South	U54	2.62	2.62	0.00	4.38	4.38	0.00	11.79	11.79	0.00	7.78	7.78	0.00	6.74	6.74	0.00	5.35	5.35	0.00	4.57	4.57	0.00	4.92	4.92	0.00	0.00%
South	U55	2.60	2.60	0.00	4.34	4.34	0.00	14.57	14.57	0.00																

2012 AS-INSPECTED EFFECTS ON GUSSET PLATES (RIVET CAPACITY CHECK IGNORED)

GUSSET PLATE RATING FACTOR COMPARISON																										
Truss	Panel Point	HS-20 (INV.)			HS-20 (OPR.)			2F1			3F1			4F1			5C1			HS-20 Truck Train			5C1 Truck Train			HS-20 (OPR) % Reduc.
		AB	AI	Change	AB	AI	Change	AB	AI	Change	AB	AI	Change	AB	AI	Change	AB	AI	Change	AB	AI	Change	AB	AI	Change	
South	U76	1.68	1.68	0.00	2.81	2.81	0.00	9.82	9.82	0.00	6.47	6.47	0.00	5.53	5.53	0.00	4.06	4.06	0.00	3.00	3.00	0.00	3.24	3.24	0.00	0.00%
South	U77	1.63	1.63	0.00	2.72	2.72	0.00	9.39	9.39	0.00	6.18	6.18	0.00	5.28	5.28	0.00	3.89	3.89	0.00	2.95	2.95	0.00	3.14	3.14	0.00	0.00%
South	U78	1.86	1.86	0.00	3.11	3.11	0.00	10.41	10.41	0.00	6.86	6.86	0.00	5.86	5.86	0.00	4.34	4.34	0.00	3.25	3.25	0.00	3.54	3.54	0.00	0.00%
South	U79	1.80	1.80	0.00	3.00	3.00	0.00	9.93	9.93	0.00	6.54	6.54	0.00	5.59	5.59	0.00	4.15	4.15	0.00	3.13	3.13	0.00	3.41	3.41	0.00	0.00%
South	U80	3.62	3.62	0.00	6.04	6.04	0.00	18.90	18.90	0.00	12.49	12.49	0.00	10.68	10.68	0.00	8.05	8.05	0.00	6.11	6.11	0.00	6.72	6.72	0.00	0.00%
South	U81	0.93	0.93	0.00	1.55	1.55	0.00	6.31	6.31	0.00	4.13	4.13	0.00	3.54	3.54	0.00	2.60	2.60	0.00	1.82	1.82	0.00	1.98	1.98	0.00	0.00%
South	U82	3.95	3.95	0.00	6.59	6.59	0.00	11.92	11.92	0.00	7.98	7.98	0.00	7.19	7.19	0.00	8.27	8.27	0.00	6.59	6.59	0.00	8.27	8.27	0.00	0.00%
South	U83	1.09	1.09	0.00	1.82	1.82	0.00	7.45	7.45	0.00	4.87	4.87	0.00	4.17	4.17	0.00	3.07	3.07	0.00	2.14	2.14	0.00	2.34	2.34	0.00	0.00%
South	U84	3.06	3.06	0.00	5.10	5.10	0.00	18.39	18.39	0.00	12.09	12.09	0.00	10.40	10.40	0.00	7.75	7.75	0.00	5.41	5.41	0.00	5.98	5.98	0.00	0.00%
South	U85	1.85	1.85	0.00	3.09	3.09	0.00	12.13	12.13	0.00	7.93	7.93	0.00	6.80	6.80	0.00	4.96	4.96	0.00	3.52	3.52	0.00	3.81	3.81	0.00	0.00%
South	U86	1.73	1.73	0.00	2.88	2.88	0.00	9.84	9.84	0.00	6.47	6.47	0.00	5.56	5.56	0.00	4.10	4.10	0.00	3.04	3.04	0.00	3.29	3.29	0.00	0.00%
South	U87	1.92	1.92	0.00	3.00	3.00	0.00	11.08	11.08	0.00	7.78	7.78	0.00	6.26	6.26	0.00	4.62	4.62	0.00	3.45	3.45	0.00	3.68	3.68	0.00	0.00%
South	U88	1.81	1.81	0.00	3.01	3.01	0.00	10.38	10.38	0.00	6.83	6.83	0.00	5.87	5.87	0.00	4.35	4.35	0.00	3.25	3.25	0.00	3.49	3.49	0.00	0.00%
South	U89	2.76	2.76	0.00	4.61	4.61	0.00	15.22	15.22	0.00	10.02	10.02	0.00	8.62	8.62	0.00	6.40	6.40	0.00	4.78	4.78	0.00	5.24	5.24	0.00	0.00%
South	U90	1.70	1.70	0.00	2.83	2.83	0.00	6.60	6.60	0.00	4.32	4.32	0.00	3.70	3.70	0.00	2.72	2.72	0.00	2.33	2.33	0.00	2.48	2.48	0.00	0.00%
South	U91	3.63	3.63	0.00	6.06	6.06	0.00	13.13	13.13	0.00	8.66	8.66	0.00	7.57	7.57	0.00	7.36	7.36	0.00	8.22	8.22	0.00	10.28	10.28	0.00	0.00%
South	U92	2.19	2.19	0.00	3.66	3.66	0.00	11.72	11.72	0.00	7.74	7.74	0.00	6.70	6.70	0.00	5.15	5.15	0.00	3.77	3.77	0.00	4.20	4.20	0.00	0.00%
South	U93	2.87	2.87	0.00	4.79	4.79	0.00	12.46	12.46	0.00	8.23	8.23	0.00	7.12	7.12	0.00	6.20	6.20	0.00	4.64	4.64	0.00	5.37	5.37	0.00	0.00%
South	U94	2.82	2.82	0.00	4.71	4.71	0.00	12.65	12.65	0.00	8.37	8.37	0.00	7.15	7.15	0.00	5.43	5.43	0.00	4.25	4.25	0.00	4.71	4.71	0.00	0.00%
South	U95	2.36	2.36	0.00	3.93	3.93	0.00	11.64	11.64	0.00	7.70	7.70	0.00	6.58	6.58	0.00	5.00	5.00	0.00	3.91	3.91	0.00	4.34	4.34	0.00	0.00%
South	U96	2.67	2.67	0.00	4.45	4.45	0.00	13.17	13.17	0.00	8.71	8.71	0.00	7.44	7.44	0.00	5.66	5.66	0.00	4.42	4.42	0.00	4.91	4.91	0.00	0.00%
South	U97	2.86	2.86	0.00	4.77	4.77	0.00	13.08	13.08	0.00	8.65	8.65	0.00	7.41	7.41	0.00	5.75	5.75	0.00	4.65	4.65	0.00	5.16	5.16	0.00	0.00%
South	U98	3.61	3.61	0.00	6.03	6.03	0.00	13.68	13.68	0.00	9.09	9.09	0.00	7.81	7.81	0.00	6.45	6.45	0.00	5.39	5.39	0.00	6.61	6.61	0.00	0.00%
South	U99	2.29	2.29	0.00	3.82	3.82	0.00	9.55	9.55	0.00	6.27	6.27	0.00	5.40	5.40	0.00	4.33	4.33	0.00	3.60	3.60	0.00	4.07	4.07	0.00	0.00%
South	U100	4.08	4.08	0.00	6.81	6.81	0.00	12.31	12.31	0.00	8.24	8.24	0.00	7.42	7.42	0.00	8.55	8.55	0.00	6.79	6.79	0.00	10.69	10.69	0.00	0.00%
South	U101	2.28	2.28	0.00	3.80	3.80	0.00	9.51	9.51	0.00	6.24	6.24	0.00	5.37	5.37	0.00	4.31	4.31	0.00	3.58	3.58	0.00	4.05	4.05	0.00	0.00%
South	U102	3.88	3.88	0.00	6.47	6.47	0.00	14.61	14.61	0.00	9.68	9.68	0.00	8.40	8.40	0.00	6.93	6.93	0.00	5.95	5.95	0.00	7.16	7.16	0.00	0.00%
South	U103	3.07	3.07	0.00	5.12	5.12	0.00	13.77	13.77	0.00	9.08	9.08	0.00	7.84	7.84	0.00	6.08	6.08	0.00	4.97	4.97	0.00	5.48	5.48	0.00	0.00%
South	U104	1.76	1.76	0.00	2.94	2.94	0.00	8.56	8.56	0.00	5.63	5.63	0.00	4.85	4.85	0.00	3.70	3.70	0.00	2.90	2.90	0.00	3.22	3.22	0.00	0.00%
South	U105	2.35	2.35	0.00	3.92	3.92	0.00	11.48	11.48	0.00	7.55	7.55	0.00	6.51	6.51	0.00	4.95	4.95	0.00	3.88	3.88	0.00	4.32	4.32	0.00	0.00%
South	U106	2.64	2.64	0.00	4.41	4.41	0.00	13.43	13.43	0.00	8.90	8.90	0.00	7.69	7.69	0.00	6.20	6.20	0.00	4.68	4.68	0.00	5.27	5.27	0.00	0.00%
South	U107	2.20	2.20	0.00	3.67	3.67	0.00	10.97	10.97	0.00	7.31	7.31	0.00	6.30	6.30	0.00	4.72	4.72	0.00	3.75	3.75	0.00	4.15	4.15	0.00	0.00%
South	U108	3.55	3.55	0.00	5.92	5.92	0.00	13.09	13.09	0.00	8.72	8.72	0.00	7.53	7.53	0.00	6.60	6.60	0.00	5.69	5.69	0.00	6.99	6.99	0.00	0.00%
South	U109	3.11	3.11	0.00	5.20	5.20	0.00	11.33	11.33	0.00	7.52	7.52	0.00	6.53	6.53	0.00	5.92	5.92	0.00	7.05	7.05	0.00	8.19	8.19	0.00	0.00%
South	U110	1.22	1.22	0.00	2.03	2.03	0.00	7.19	7.19	0.00	4.70	4.70	0.00	4.03	4.03	0.00	2.96	2.96	0.00	2.17	2.17	0.00	2.38	2.38	0.00	0.00%
South	U111	2.17	2.17	0.00	3.63	3.63	0.00	12.58	12.58	0.00	8.26	8.26	0.00	7.10	7.10	0.00	5.29	5.29	0.00	3.93	3.93	0.00	4.18	4.18	0.00	0.00%
South	U112	1.42	1.42	0.00	2.37	2.37	0.00	8.12	8.12	0.00	5.33	5.33	0.00	4.59	4.59	0.00	3.42	3.42	0.00	2.54	2.54	0.00	2.70	2.70	0.00	0.00%
South	U113	2.22	2.22	0.00	3.71	3.71	0.00	12.81	12.81	0.00	8.39	8.39	0.00	7.22	7.22	0.00	5.37	5.37	0.00	4.05	4.05	0.00	4.24	4.24	0.00	0.00%
South	U114	1.40	1.40	0.00	2.35	2.35	0.00	8.27	8.27	0.00	5.42	5.42	0.00	4.67	4.67	0.00	3.50	3.50	0.00	2.50	2.50	0.00	2.79	2.79	0.00	0.00%
South	U115	3.38	3.38	0.00	5.64	5.64	0.00	20.26	20.26	0.00	13.25	13.25	0.00	11.36	11.36	0.00	8.35	8.35	0.00	6.05	6.05	0.00	6.77	6.77	0.00	0.00%
South	U116	2.38	2.38	0.00	3.98	3.98	0.00	16.42	16.42	0.00	10.78	10.78	0.00	9.26	9.26	0.00	6.97	6.97	0.00	4.63	4.63	0.00	5.69	5.69	0.00	0.00%
South	U117	4.12	4.12	0.00	6.87	6.87	0.00	26.27	26.27	0.00	17.25	17.25	0.00	14.83	14.83	0.00	11.28	11.28	0.00	8.11	8.11	0.00	10.19	10.19	0.00	0.00%
South	U118	5.72	5.72	0.00	9.55	9.55	0.00	16.94	16.94	0.00	11.48	11.48	0.00	10.38	10.38	0.00	11.92	11.92	0.00	9.49	9.49	0.00	11.93	11.93	0.00	0.00%
South	U119	0.72	0.72	0.00	1.20	1.20	0.00	5.39	5.39	0.00	3.53	3.53	0.00	3.02	3.02	0.00	2.21	2.21	0.00	1.56	1.56	0.00	1.68	1.68	0.00	0.00%
South	U120	5.26	5.26	0.00	8.79	8.79	0.00	21.97	21.97	0.00	14.51	14.51	0.00	12.48	12.48	0.00	9.50	9.50	0.00	8.59	8.59	0.00	9.35	9.35	0.00	0.00%
South	U121	0.63	0.63	0.00	1.04	1.04	0.00	4.55	4.55	0.00	2.98	2.98	0.00	2.55	2.55	0.00	1.86	1.86	0.00	1.33	1.33	0.00	1.43	1.43	0.00	0.00%
South	U122	1.92	1.92	0.00	3.21	3.21	0.00	11.42	11.42	0.00	7.50	7.50	0.00	6.46	6.46	0.00	4.83	4.83	0.00	3.70	3.70	0.00	4.05	4.05	0.00	0.00%
South	U123	1.68	1.68	0.00	2.81	2.81	0.00	10.25	10.25	0.00	6.74	6.74	0.00	5.81	5.81	0.00	4.35	4.35	0.00	3.27	3.27	0.00	3.58	3.58	0.00	0.00%
South	U124	1.67																								

2012 AS-INSPECTED EFFECTS ON GUSSET PLATES (RIVET CAPACITY CHECK IGNORED)

GUSSET PLATE RATING FACTOR COMPARISON																												
Truss	Panel Point	HS-20 (INV.)			HS-20 (OPR.)			2F1			3F1			4F1			5C1			HS-20 Truck Train			5C1 Truck Train			HS-20 (OPR) % Reduc.		
		AB	AI	Change	AB	AI	Change	AB	AI	Change	AB	AI	Change	AB	AI	Change	AB	AI	Change	AB	AI	Change	AB	AI	Change			
South	L10	3.26	3.26	0.00	5.44	5.44	0.00	17.30	17.30	0.00	11.47	11.47	0.00	9.84	9.84	0.00	7.37	7.37	0.00	5.78	5.78	0.00	6.17	6.17	0.00	0.00%		
South	L11	1.82	1.82	0.00	3.04	3.04	0.00	7.43	7.43	0.00	4.95	4.95	0.00	4.31	4.31	0.00	3.29	3.29	0.00	2.73	2.73	0.00	2.98	2.98	0.00	0.00%		
South	L12	1.45	1.45	0.00	2.42	2.42	0.00	5.79	5.79	0.00	3.86	3.86	0.00	3.36	3.36	0.00	2.60	2.60	0.00	2.19	2.19	0.00	2.39	2.39	0.00	0.00%		
South	L13	1.43	1.43	0.00	2.39	2.39	0.00	5.62	5.62	0.00	3.76	3.76	0.00	3.27	3.27	0.00	2.57	2.57	0.00	2.24	2.24	0.00	2.38	2.38	0.00	0.00%		
South	L14	1.20	1.20	0.00	2.01	2.01	0.00	7.77	7.77	0.00	3.51	3.51	0.00	3.03	3.03	0.00	2.34	2.34	0.00	1.95	1.95	0.00	2.11	2.11	0.00	0.00%		
South	L15	1.54	1.54	0.00	2.57	2.57	0.00	7.22	7.22	0.00	4.49	4.49	0.00	3.87	3.87	0.00	2.99	2.99	0.00	2.49	2.49	0.00	2.70	2.70	0.00	0.00%		
South	L16	1.77	1.77	0.00	2.95	2.95	0.00	7.58	7.58	0.00	5.03	5.03	0.00	4.37	4.37	0.00	3.45	3.45	0.00	2.85	2.85	0.00	3.09	3.09	0.00	0.00%		
South	L17	1.38	1.38	0.00	2.30	2.30	0.00	5.56	5.56	0.00	3.68	3.68	0.00	3.19	3.19	0.00	2.51	2.51	0.00	2.15	2.15	0.00	2.30	2.30	0.00	0.00%		
South	L18	1.40	1.40	0.00	2.34	2.34	0.00	5.62	5.62	0.00	3.72	3.72	0.00	3.23	3.23	0.00	2.53	2.53	0.00	2.09	2.09	0.00	2.31	2.31	0.00	0.00%		
South	L19	2.79	2.79	0.00	4.66	4.66	0.00	11.16	11.16	0.00	7.39	7.39	0.00	6.39	6.39	0.00	4.97	4.97	0.00	4.11	4.11	0.00	4.52	4.52	0.00	0.00%		
South	L20	3.24	3.24	0.00	5.40	5.40	0.00	16.14	16.14	0.00	10.68	10.68	0.00	9.20	9.20	0.00	6.97	6.97	0.00	5.66	5.66	0.00	6.05	6.05	0.00	0.00%		
South	L21	2.64	2.64	0.00	4.41	4.41	0.00	9.35	9.35	0.00	6.44	6.44	0.00	5.29	5.29	0.00	5.41	5.41	0.00	4.11	4.11	0.00	5.05	5.05	0.00	0.00%		
South	L22	1.82	1.82	0.00	3.04	3.04	0.00	7.23	7.23	0.00	5.00	5.00	0.00	4.33	4.33	0.00	3.53	3.53	0.00	2.91	2.91	0.00	3.33	3.33	0.00	0.00%		
South	L23	1.92	1.92	0.00	3.21	3.21	0.00	7.31	7.31	0.00	4.91	4.91	0.00	4.31	4.31	0.00	3.51	3.51	0.00	2.97	2.97	0.00	3.45	3.45	0.00	0.00%		
South	L24	1.30	1.30	0.00	2.18	2.18	0.00	4.68	4.68	0.00	3.17	3.17	0.00	2.77	2.77	0.00	2.42	2.42	0.00	2.10	2.10	0.00	2.43	2.43	0.00	0.00%		
South	L25	2.19	2.19	0.00	3.65	3.65	0.00	6.36	6.36	0.00	4.34	4.34	0.00	3.99	3.99	0.00	4.48	4.48	0.00	3.57	3.57	0.00	4.54	4.54	0.00	0.00%		
South	L26	1.65	1.65	0.00	2.75	2.75	0.00	5.93	5.93	0.00	3.99	3.99	0.00	3.52	3.52	0.00	3.35	3.35	0.00	2.76	2.76	0.00	3.39	3.39	0.00	0.00%		
South	L27	1.36	1.36	0.00	2.28	2.28	0.00	5.04	5.04	0.00	3.37	3.37	0.00	2.95	2.95	0.00	2.59	2.59	0.00	2.20	2.20	0.00	2.60	2.60	0.00	0.00%		
South	L28	2.72	2.72	0.00	4.53	4.53	0.00	10.22	10.22	0.00	6.79	6.79	0.00	5.90	5.90	0.00	4.86	4.86	0.00	4.07	4.07	0.00	4.81	4.81	0.00	0.00%		
South	L29	2.60	2.60	0.00	4.34	4.34	0.00	10.22	10.22	0.00	6.85	6.85	0.00	6.01	6.01	0.00	4.92	4.92	0.00	4.05	4.05	0.00	4.69	4.69	0.00	0.00%		
South	L30	3.40	3.40	0.00	5.67	5.67	0.00	18.65	18.65	0.00	12.40	12.40	0.00	10.63	10.63	0.00	7.98	7.98	0.00	6.17	6.17	0.00	6.70	6.70	0.00	0.00%		
South	L31	2.01	2.01	0.00	3.36	3.36	0.00	8.26	8.26	0.00	5.50	5.50	0.00	4.79	4.79	0.00	3.65	3.65	0.00	3.04	3.04	0.00	3.32	3.32	0.00	0.00%		
South	L32	1.12	1.12	0.00	1.87	1.87	0.00	4.51	4.51	0.00	3.01	3.01	0.00	2.62	2.62	0.00	2.02	2.02	0.00	1.70	1.70	0.00	1.86	1.86	0.00	0.00%		
South	L33	0.99	0.99	0.00	1.65	1.65	0.00	3.93	3.93	0.00	2.63	2.63	0.00	2.28	2.28	0.00	1.79	1.79	0.00	1.56	1.56	0.00	1.67	1.67	0.00	0.00%		
South	L34	1.40	1.40	0.00	2.34	2.34	0.00	5.43	5.43	0.00	3.64	3.64	0.00	3.18	3.18	0.00	2.55	2.55	0.00	2.12	2.12	0.00	2.40	2.40	0.00	0.00%		
South	L35	3.12	3.12	0.00	5.21	5.21	0.00	11.27	11.27	0.00	7.70	7.70	0.00	6.77	6.77	0.00	5.64	5.64	0.00	4.83	4.83	0.00	5.80	5.80	0.00	0.00%		
South	L36	1.24	1.24	0.00	2.06	2.06	0.00	4.82	4.82	0.00	3.20	3.20	0.00	2.77	2.77	0.00	2.23	2.23	0.00	1.88	1.88	0.00	2.13	2.13	0.00	0.00%		
South	L37	1.11	1.11	0.00	1.86	1.86	0.00	4.56	4.56	0.00	3.02	3.02	0.00	2.62	2.62	0.00	2.06	2.06	0.00	1.75	1.75	0.00	1.88	1.88	0.00	0.00%		
South	L38	1.78	1.44	-0.34	2.97	2.40	-0.57	7.17	5.80	-1.37	4.75	3.84	-0.91	4.11	3.33	-0.79	3.23	2.61	-0.62	2.66	2.15	-0.51	2.93	2.37	-0.56	19.12%		
South	L39	2.00	2.00	0.00	3.34	3.34	0.00	8.20	8.20	0.00	5.43	5.43	0.00	4.70	4.70	0.00	3.67	3.67	0.00	3.04	3.04	0.00	3.34	3.34	0.00	0.00%		
South	L40	2.05	2.05	0.00	3.43	3.43	0.00	11.01	11.01	0.00	7.30	7.30	0.00	6.29	6.29	0.00	4.82	4.82	0.00	3.76	3.76	0.00	4.14	4.14	0.00	0.00%		
South	L41	2.32	2.32	0.00	3.87	3.87	0.00	9.65	9.65	0.00	6.62	6.62	0.00	5.76	5.76	0.00	4.71	4.71	0.00	3.86	3.86	0.00	4.26	4.26	0.00	0.00%		
South	L42	2.36	2.36	0.00	3.94	3.94	0.00	9.92	9.92	0.00	6.61	6.61	0.00	5.77	5.77	0.00	4.51	4.51	0.00	3.74	3.74	0.00	4.26	4.26	0.00	0.00%		
South	L43	1.40	1.40	0.00	2.34	2.34	0.00	5.34	5.34	0.00	3.59	3.59	0.00	3.14	3.14	0.00	2.58	2.58	0.00	2.17	2.17	0.00	2.52	2.52	0.00	0.00%		
South	L44	1.61	1.61	0.00	2.68	2.68	0.00	5.75	5.75	0.00	3.90	3.90	0.00	3.40	3.40	0.00	2.97	2.97	0.00	2.56	2.56	0.00	2.92	2.92	0.00	0.00%		
South	L45	2.57	2.57	0.00	4.30	4.30	0.00	7.50	7.50	0.00	5.12	5.12	0.00	4.69	4.69	0.00	3.45	3.45	0.00	3.04	3.04	0.00	3.58	3.58	0.00	0.00%		
South	L46	1.55	1.55	0.00	2.59	2.59	0.00	5.72	5.72	0.00	3.82	3.82	0.00	3.35	3.35	0.00	2.95	2.95	0.00	2.52	2.52	0.00	2.97	2.97	0.00	0.00%		
South	L47	1.48	1.48	0.00	2.48	2.48	0.00	5.78	5.78	0.00	3.85	3.85	0.00	3.35	3.35	0.00	2.80	2.80	0.00	2.36	2.36	0.00	2.77	2.77	0.00	0.00%		
South	L48	5.11	5.11	0.00	8.52	8.52	0.00	22.20	22.20	0.00	14.63	14.63	0.00	12.62	12.62	0.00	10.14	10.14	0.00	8.44	8.44	0.00	9.70	9.70	0.00	0.00%		
South	L49	1.81	1.81	0.00	3.02	3.02	0.00	7.79	7.79	0.00	5.19	5.19	0.00	4.53	4.53	0.00	3.73	3.73	0.00	3.29	3.29	0.00	3.45	3.45	0.00	0.00%		
South	L50	3.40	3.40	0.00	5.67	5.67	0.00	21.46	21.46	0.00	14.12	14.12	0.00	12.14	12.14	0.00	9.17	9.17	0.00	6.74	6.74	0.00	7.49	7.49	0.00	0.00%		
South	L51	1.70	1.70	0.00	2.84	2.84	0.00	8.30	8.30	0.00	5.46	5.46	0.00	4.72	4.72	0.00	3.62	3.62	0.00	2.92	2.92	0.00	3.22	3.22	0.00	0.00%		
South	L52	1.41	1.41	0.00	2.35	2.35	0.00	6.81	6.81	0.00	4.48	4.48	0.00	3.87	3.87	0.00	2.98	2.98	0.00	2.52	2.52	0.00	2.70	2.70	0.00	0.00%		
South	L53	1.25	1.25	0.00	2.09	2.09	0.00	6.02	6.02	0.00	3.96	3.96	0.00	3.42	3.42	0.00	2.64	2.64	0.00	2.23	2.23	0.00	2.45	2.45	0.00	0.00%		
South	L54	1.35	1.35	0.00	2.26	2.26	0.00	6.26	6.26	0.00	4.13	4.13	0.00	3.57	3.57	0.00	2.78	2.78	0.00	2.33	2.33	0.00	2.53	2.53	0.00	0.00%		
South	L55	2.45	2.45	0.00	4.08	4.08	0.00	10.98	10.98	0.00	7.25	7.25	0.00	6.28	6.28	0.00	4.98	4.98	0.00	4.26	4.26	0.00	4.58	4.58	0.00	0.00%		
South	L56	4.53	4.53	0.00	7.56	7.56	0.00	19.77	19.77	0.00	13.10	13.10	0.00	11.34	11.34	0.00	9.09	9.09	0.00	7.47	7.47	0.00	8.97	8.97	0.00	0.00%		
South	L57	2.45	1.76	-0.69	4.09	2.93	-1.16	11.04	7.91	-3.13	7.29	5.23	-2.07	6.31	4.52	-1.79	4.95	3.55	-1.40	4.18	2.99	-1.18	4.64	3.33	-1.31	28.32%		
South	L58	1.05	1.05	0.00	1.76	1.76	0.00	4.96	4.96	0.00	3.27	3.27	0.00	2.83	2.83	0.00	2.21	2.21	0.00</									

2012 AS-INSPECTED EFFECTS ON GUSSET PLATES (RIVET CAPACITY CHECK IGNORED)

GUSSET PLATE RATING FACTOR COMPARISON																											
Truss	Panel Point	HS-20 (INV.)			HS-20 (OPR.)			2F1			3F1			4F1			5C1			HS-20 Truck Train			5C1 Truck Train			HS-20 (OPR) % Reduc.	
		AB	AI	Change	AB	AI	Change	AB	AI	Change	AB	AI	Change	AB	AI	Change	AB	AI	Change	AB	AI	Change	AB	AI	Change		
South	L79	2.22	2.04	-0.19	3.71	3.40	-0.31	12.28	11.25	-1.04	8.09	7.40	-0.68	6.92	6.33	-0.58	5.15	4.71	-0.43	3.93	3.60	-0.33	4.25	3.89	-0.36	8.44%	
South	L80	1.50	1.50	0.00	2.51	2.51	0.00	9.66	9.66	0.00	6.32	6.32	0.00	5.42	5.42	0.00	3.97	3.97	0.00	2.84	2.84	0.00	3.07	3.07	0.00	0.00%	
South	L81	1.78	1.49	-0.29	2.98	2.49	-0.48	11.77	9.86	-1.91	7.70	6.46	-1.25	6.60	5.53	-1.07	4.85	4.06	-0.79	3.43	2.87	-0.56	3.72	3.12	-0.60	16.21%	
South	L82	2.16	2.16	0.00	3.61	3.61	0.00	14.33	14.33	0.00	9.38	9.38	0.00	8.03	8.03	0.00	5.90	5.90	0.00	4.16	4.16	0.00	4.51	4.51	0.00	0.00%	
South	L83	1.93	1.93	0.00	3.22	3.22	0.00	12.81	12.81	0.00	8.38	8.38	0.00	7.19	7.19	0.00	5.26	5.26	0.00	3.71	3.71	0.00	4.02	4.02	0.00	0.00%	
South	L84	2.31	2.31	0.00	3.86	3.86	0.00	12.99	12.99	0.00	8.55	8.55	0.00	7.36	7.36	0.00	5.49	5.49	0.00	4.12	4.12	0.00	4.48	4.48	0.00	0.00%	
South	L85	1.81	1.76	-0.06	3.09	2.93	-0.16	10.72	9.88	-0.84	7.05	6.49	-0.55	6.06	5.59	-0.48	4.49	4.14	-0.35	3.29	3.11	-0.19	3.60	3.37	-0.23	5.03%	
South	L86	1.46	1.46	0.00	2.52	2.52	0.00	8.72	8.72	0.00	5.73	5.73	0.00	4.94	4.94	0.00	3.65	3.65	0.00	2.69	2.69	0.00	2.92	2.92	0.00	0.00%	
South	L87	1.99	1.99	0.00	3.32	3.32	0.00	11.43	11.43	0.00	7.52	7.52	0.00	6.47	6.47	0.00	4.79	4.79	0.00	3.58	3.58	0.00	3.84	3.84	0.00	0.00%	
South	L88	2.50	2.50	0.00	4.17	4.17	0.00	13.75	13.75	0.00	9.06	9.06	0.00	7.79	7.79	0.00	5.82	5.82	0.00	4.32	4.32	0.00	4.73	4.73	0.00	0.00%	
South	L89	3.38	3.38	0.00	5.64	5.64	0.00	17.01	17.01	0.00	11.13	11.13	0.00	9.54	9.54	0.00	7.02	7.02	0.00	5.58	5.58	0.00	6.13	6.13	0.00	0.00%	
South	L90	4.67	4.67	0.00	3.77	3.77	0.00	18.55	18.55	0.00	12.14	12.14	0.00	10.42	10.42	0.00	7.73	7.73	0.00	6.59	6.59	0.00	7.04	7.04	0.00	0.00%	
South	L91	4.72	4.72	0.00	7.88	7.88	0.00	19.81	19.81	0.00	12.97	12.97	0.00	11.15	11.15	0.00	8.38	8.38	0.00	6.97	6.97	0.00	7.60	7.60	0.00	0.00%	
South	L92	2.85	2.85	0.00	4.76	4.76	0.00	10.31	10.31	0.00	6.80	6.80	0.00	5.94	5.94	0.00	5.78	5.78	0.00	6.46	6.46	0.00	8.08	8.08	0.00	0.00%	
South	L93	3.38	3.38	0.00	5.65	5.65	0.00	14.70	14.70	0.00	9.71	9.71	0.00	8.40	8.40	0.00	7.31	7.31	0.00	5.47	5.47	0.00	6.33	6.33	0.00	0.00%	
South	L94	2.26	2.26	0.00	3.77	3.77	0.00	9.78	9.78	0.00	6.46	6.46	0.00	5.62	5.62	0.00	5.27	5.27	0.00	3.96	3.96	0.00	4.41	4.41	0.00	0.00%	
South	L95	2.24	2.21	-0.03	3.74	3.70	-0.04	11.45	11.33	-0.13	7.57	7.49	-0.09	6.53	6.46	-0.07	5.03	4.97	-0.06	3.78	3.74	-0.04	4.38	4.34	-0.05	1.12%	
South	L96	3.38	3.38	0.00	5.64	5.64	0.00	16.68	16.68	0.00	11.03	11.03	0.00	9.43	9.43	0.00	7.17	7.17	0.00	5.60	5.60	0.00	6.22	6.22	0.00	0.00%	
South	L97	2.39	2.39	0.00	3.99	3.99	0.00	10.94	10.94	0.00	7.24	7.24	0.00	6.20	6.20	0.00	4.81	4.81	0.00	3.89	3.89	0.00	4.31	4.31	0.00	0.00%	
South	L98	1.82	1.82	0.00	3.04	3.04	0.00	7.53	7.53	0.00	4.99	4.99	0.00	4.28	4.28	0.00	3.41	3.41	0.00	2.81	2.81	0.00	3.25	3.25	0.00	0.00%	
South	L99	3.34	3.34	0.00	5.58	5.58	0.00	13.68	13.68	0.00	8.96	8.96	0.00	7.73	7.73	0.00	6.07	6.07	0.00	5.17	5.17	0.00	5.66	5.66	0.00	0.00%	
South	L100	4.90	4.90	0.00	8.19	8.19	0.00	15.43	15.43	0.00	10.33	10.33	0.00	9.31	9.31	0.00	9.07	9.07	0.00	7.73	7.73	0.00	8.47	8.47	0.00	0.00%	
South	L101	3.45	3.45	0.00	5.76	5.76	0.00	14.12	14.12	0.00	9.24	9.24	0.00	7.97	7.97	0.00	6.26	6.26	0.00	5.34	5.34	0.00	5.85	5.85	0.00	0.00%	
South	L102	2.59	2.59	0.00	4.32	4.32	0.00	10.30	10.30	0.00	6.81	6.81	0.00	5.89	5.89	0.00	4.68	4.68	0.00	3.91	3.91	0.00	4.55	4.55	0.00	0.00%	
South	L103	2.60	2.60	0.00	4.33	4.33	0.00	11.65	11.65	0.00	7.68	7.68	0.00	6.64	6.64	0.00	5.14	5.14	0.00	4.21	4.21	0.00	4.63	4.63	0.00	0.00%	
South	L104	3.41	3.41	0.00	5.69	5.69	0.00	15.20	15.20	0.00	10.01	10.01	0.00	8.63	8.63	0.00	6.54	6.54	0.00	5.12	5.12	0.00	5.69	5.69	0.00	0.00%	
South	L105	2.28	2.16	-0.12	3.81	3.61	-0.20	11.47	11.47	0.00	7.64	7.56	-0.08	6.59	6.50	-0.09	5.14	4.84	-0.27	3.84	3.64	-0.20	4.49	4.22	-0.27	5.30%	
South	L106	1.82	2.24	0.00	3.74	3.74	0.00	9.68	9.68	0.00	6.43	6.43	0.00	5.58	5.58	0.00	5.14	5.14	0.00	4.02	4.02	0.00	4.53	4.53	0.00	0.00%	
South	L107	2.95	2.95	0.00	4.93	4.93	0.00	12.77	12.77	0.00	8.47	8.47	0.00	7.38	7.38	0.00	6.41	6.41	0.00	4.82	4.82	0.00	5.52	5.52	0.00	0.00%	
South	L108	3.19	3.19	0.00	7.17	7.17	0.00	15.84	15.84	0.00	10.55	10.55	0.00	9.11	9.11	0.00	7.98	7.98	0.00	6.88	6.88	0.00	8.46	8.46	0.00	0.00%	
South	L109	3.86	3.86	0.00	6.44	6.44	0.00	16.61	16.61	0.00	10.90	10.90	0.00	9.36	9.36	0.00	7.03	7.03	0.00	5.61	5.61	0.00	6.18	6.18	0.00	0.00%	
South	L110	3.87	3.87	0.00	6.46	6.46	0.00	15.01	15.01	0.00	9.82	9.82	0.00	8.44	8.44	0.00	6.26	6.26	0.00	5.28	5.28	0.00	5.66	5.66	0.00	0.00%	
South	L111	1.86	1.86	0.00	3.10	3.10	0.00	9.58	9.58	0.00	6.30	6.30	0.00	5.43	5.43	0.00	4.38	4.38	0.00	3.17	3.17	0.00	3.43	3.43	0.00	0.00%	
South	L112	1.99	1.99	0.00	3.33	3.33	0.00	11.54	11.54	0.00	7.58	7.58	0.00	6.52	6.52	0.00	4.86	4.86	0.00	3.60	3.60	0.00	3.84	3.84	0.00	0.00%	
South	L113	2.30	2.07	-0.23	3.83	3.45	-0.38	13.23	11.92	-1.31	8.66	7.81	-0.85	7.45	6.72	-0.74	5.54	5.00	-0.55	4.18	3.77	-0.41	4.38	3.94	-0.43	9.87%	
South	L114	1.65	1.65	0.00	2.75	2.75	0.00	9.47	9.47	0.00	6.20	6.20	0.00	5.34	5.34	0.00	3.98	3.98	0.00	2.91	2.91	0.00	3.15	3.15	0.00	0.00%	
South	L115	1.96	1.96	0.00	3.27	3.27	0.00	11.35	11.35	0.00	7.43	7.43	0.00	6.40	6.40	0.00	4.80	4.80	0.00	3.54	3.54	0.00	3.81	3.81	0.00	0.00%	
South	L116	2.16	2.16	0.00	3.61	3.61	0.00	15.90	15.90	0.00	10.42	10.42	0.00	8.97	8.97	0.00	6.51	6.51	0.00	4.61	4.61	0.00	4.92	4.92	0.00	0.00%	
South	L117	2.31	2.31	0.00	3.86	3.86	0.00	17.42	17.42	0.00	11.41	11.41	0.00	9.77	9.77	0.00	7.11	7.11	0.00	4.97	4.97	0.00	5.34	5.34	0.00	0.00%	
South	L118	1.80	1.80	0.00	3.00	3.00	0.00	13.40	13.40	0.00	8.77	8.77	0.00	7.51	7.51	0.00	5.48	5.48	0.00	3.88	3.88	0.00	4.15	4.15	0.00	0.00%	
South	L119	1.04	1.04	0.00	1.73	1.73	0.00	7.74	7.74	0.00	5.07	5.07	0.00	4.34	4.34	0.00	3.16	3.16	0.00	2.24	2.24	0.00	2.40	2.40	0.00	0.00%	
South	L120	1.41	1.41	0.00	2.35	2.35	0.00	10.23	10.23	0.00	6.69	6.69	0.00	5.73	5.73	0.00	4.18	4.18	0.00	3.00	3.00	0.00	3.20	3.20	0.00	0.00%	
South	L121	1.92	1.92	0.00	3.21	3.21	0.00	13.04	13.04	0.00	8.56	8.56	0.00	7.37	7.37	0.00	5.51	5.51	0.00	3.98	3.98	0.00	4.32	4.32	0.00	0.00%	
South	L122	1.18	1.18	0.00	1.98	1.98	0.00	7.21	7.21	0.00	4.74	4.74	0.00	4.08	4.08	0.00	3.06	3.06	0.00	2.30	2.30	0.00	2.52	2.52	0.00	0.00%	
South	L123	1.71	1.71	0.00	2.85	2.85	0.00	10.46	10.46	0.00	6.88	6.88	0.00	5.93	5.93	0.00	4.45	4.45	0.00	3.44	3.44	0.00	3.60	3.60	0.00	0.00%	
South	L124	1.69	1.69	0.00	2.81	2.81	0.00	10.12	10.12	0.00	6.66	6.66	0.00	5.75	5.75	0.00	4.33	4.33	0.00	3.22	3.22	0.00	3.48	3.48	0.00	0.00%	
South	L125	2.67	2.67	0.00	4.46	4.46	0.00	15.99	15.99	0.00	10.53	10.53	0.00	9.09	9.09	0.00	6.89	6.89	0.00	4.95	4.95	0.00	5.48	5.48	0.00	0.00%	
South	L126	0.73	0.73	0.00	1.22	1.22	0.00	3.88	3.88	0.00	2.50	2.50	0.00	2.17	2.17	0.00	1.61	1.61	0.00	1.18	1.18	0.00	1.31	1.31	0.00	0.00%	
South	L128	1.42	1.42	0.00	2.37	2.37	0.00	5.95																			

COMPARISON WITH 2010 GUSSET PLATE ANALYSIS

RATING FACTOR COMPARISON FROM 2010 (BASED ON 1996 AXIAL FORCES) TO 2012

GUSSET PLATE RATING FACTOR COMPARISON																			
Truss	Panel Point	HS-20 (INV.)			HS-20 (OPR.)			2F1			3F1			4F1			5C1		
		2010	2012	Change	2010	2012	Change	2010	2012	Change	2010	2012	Change	2010	2012	Change	2010	2012	Change
North	U0	1.21	0.96	-0.25	2.01	1.60	-0.41	4.89	3.85	-1.04	3.24	2.57	-0.67	2.81	2.25	-0.56	2.20	1.79	-0.42
North	U1	1.18	0.95	-0.23	1.96	1.58	-0.38	4.42	3.54	-0.88	2.94	2.38	-0.56	2.56	2.08	-0.48	2.08	1.71	-0.37
North	U2	1.01	0.83	-0.17	1.68	1.39	-0.29	3.73	2.99	-0.74	2.49	2.02	-0.47	2.18	1.77	-0.41	1.88	1.56	-0.32
North	U3	1.45	1.34	-0.11	2.43	2.24	-0.19	5.21	4.62	-0.59	3.51	3.17	-0.34	3.10	2.80	-0.30	2.99	2.74	-0.25
North	U4	1.44	1.27	-0.16	2.40	2.12	-0.27	5.30	4.69	-0.62	3.54	3.13	-0.41	3.10	2.74	-0.36	2.67	2.43	-0.24
North	U5	2.53	2.31	-0.21	4.22	3.86	-0.36	7.43	6.74	-0.69	5.07	4.60	-0.47	4.64	4.22	-0.42	5.52	4.91	-0.62
North	U6	1.14	0.91	-0.23	1.90	1.51	-0.38	4.27	3.39	-0.88	2.84	2.26	-0.58	2.47	1.97	-0.50	2.01	1.64	-0.37
North	U7	1.40	1.18	-0.22	2.33	1.97	-0.37	5.84	4.81	-1.02	3.86	3.19	-0.67	3.35	2.77	-0.58	2.63	2.22	-0.41
North	U8	1.05	0.86	-0.19	1.75	1.43	-0.31	4.78	3.85	-0.93	3.18	2.55	-0.63	2.77	2.21	-0.56	2.13	1.72	-0.41
North	U9	1.13	1.08	-0.05	1.89	1.80	-0.09	5.02	4.77	-0.25	3.35	3.21	-0.14	2.92	2.82	-0.10	2.41	2.27	-0.14
North	U10	0.98	0.72	-0.26	1.64	1.20	-0.44	5.12	4.12	-1.00	3.44	2.73	-0.71	3.04	2.34	-0.69	2.47	1.76	-0.71
North	U11	1.04	1.02	-0.02	1.73	1.70	-0.03	5.01	4.49	-0.52	3.30	2.99	-0.31	2.85	2.61	-0.24	2.15	2.02	-0.13
North	U12	0.99	0.94	-0.04	1.65	1.57	-0.07	4.46	4.01	-0.45	2.95	2.68	-0.27	2.55	2.33	-0.21	1.95	1.83	-0.12
North	U13	0.98	0.84	-0.14	1.64	1.41	-0.23	4.01	3.70	-0.30	2.65	2.48	-0.17	2.30	2.17	-0.13	1.81	1.74	-0.07
North	U14	1.19	1.15	-0.04	1.99	1.92	-0.07	5.88	5.62	-0.26	3.91	3.79	-0.13	3.40	3.34	-0.06	2.77	2.77	0.00
North	U15	2.05	2.41	0.36	3.42	4.02	0.60	6.03	7.01	0.98	4.11	4.79	0.67	3.76	4.39	0.63	4.48	5.10	0.62
North	U16	1.43	1.46	0.03	2.39	2.44	0.04	6.40	6.24	-0.16	4.25	4.15	-0.10	3.70	3.61	-0.09	3.01	3.00	-0.01
North	U17	1.09	1.05	-0.04	1.81	1.75	-0.06	4.56	4.48	-0.08	3.02	2.98	-0.04	2.62	2.58	-0.03	2.05	2.08	0.02
North	U18	0.92	0.89	-0.02	1.53	1.49	-0.04	4.21	3.94	-0.27	2.79	2.61	-0.17	2.41	2.26	-0.15	1.85	1.78	-0.07
North	U19	1.06	1.11	0.05	1.77	1.85	0.08	5.15	4.74	-0.41	3.40	3.14	-0.26	2.93	2.72	-0.21	2.21	2.14	-0.07
North	U20	1.68	1.51	-0.17	2.81	2.53	-0.28	6.32	5.89	-0.43	4.20	3.94	-0.26	3.64	3.39	-0.25	2.90	2.71	-0.19
North	U21	1.18	0.94	-0.24	1.98	1.57	-0.40	4.44	3.65	-0.79	3.00	2.52	-0.48	2.66	2.19	-0.47	2.21	1.86	-0.35
North	U22	1.40	1.18	-0.22	2.33	1.96	-0.37	5.25	4.52	-0.72	3.49	3.04	-0.45	3.04	2.67	-0.37	2.47	2.17	-0.30
North	U23	1.10	0.93	-0.18	1.84	1.55	-0.30	4.08	3.33	-0.75	2.72	2.25	-0.47	2.38	1.97	-0.41	2.06	1.72	-0.33
North	U24	1.25	1.11	-0.14	2.09	1.85	-0.23	4.48	3.84	-0.64	3.02	2.63	-0.39	2.67	2.32	-0.35	2.57	2.26	-0.31
North	U25	2.76	2.78	0.02	4.61	4.64	0.03	8.11	8.07	-0.04	5.54	5.52	-0.02	5.07	5.06	-0.01	6.04	5.91	-0.12
North	U26	2.64	2.22	-0.42	4.41	3.70	-0.71	8.85	7.58	-1.26	6.06	5.17	-0.89	5.48	4.64	-0.84	6.50	5.36	-1.14
North	U27	0.95	0.75	-0.20	1.59	1.24	-0.34	3.40	2.68	-0.72	2.29	1.80	-0.49	2.02	1.59	-0.43	1.92	1.51	-0.41
North	U28	0.86	0.65	-0.21	1.43	1.08	-0.35	3.17	2.39	-0.78	2.11	1.60	-0.52	1.85	1.40	-0.45	1.60	1.23	-0.37
North	U29	1.23	0.97	-0.26	2.05	1.62	-0.43	4.61	3.65	-0.96	3.06	2.42	-0.64	2.66	2.11	-0.56	2.17	1.74	-0.43
North	U30	0.94	0.84	-0.10	1.57	1.40	-0.17	4.79	3.86	-0.93	3.16	2.57	-0.59	2.72	2.24	-0.48	2.02	1.71	-0.32
North	U31	1.02	0.93	-0.09	1.71	1.56	-0.15	4.98	4.17	-0.81	3.28	2.78	-0.50	2.83	2.42	-0.42	2.13	1.86	-0.27
North	U32	0.95	0.85	-0.09	1.58	1.43	-0.16	4.37	3.71	-0.65	2.89	2.48	-0.41	2.50	2.16	-0.34	1.91	1.69	-0.22
North	U33	1.19	1.08	-0.11	1.99	1.81	-0.18	5.32	4.66	-0.66	3.51	3.11	-0.40	3.04	2.72	-0.32	2.33	2.12	-0.21
North	U34	1.38	1.25	-0.13	2.30	2.08	-0.22	5.75	5.37	-0.37	3.82	3.62	-0.20	3.32	3.19	-0.13	2.70	2.64	-0.06
North	U35	2.74	2.62	-0.12	4.58	4.37	-0.21	8.06	7.62	-0.44	5.50	5.21	-0.30	5.03	4.78	-0.26	6.00	5.55	-0.44
North	U36	1.04	0.85	-0.18	1.73	1.42	-0.31	4.17	3.49	-0.68	2.77	2.32	-0.45	2.41	2.02	-0.39	1.96	1.68	-0.28
North	U37	0.87	0.82	-0.05	1.45	1.37	-0.08	3.71	3.54	-0.17	2.46	2.35	-0.11	2.13	2.04	-0.09	1.67	1.64	-0.03
North	U38	0.90	0.83	-0.06	1.49	1.39	-0.10	4.18	3.68	-0.50	2.76	2.44	-0.32	2.39	2.11	-0.27	1.83	1.67	-0.16
North	U39	1.04	1.01	-0.03	1.74	1.69	-0.05	5.07	4.33	-0.74	3.34	2.87	-0.48	2.88	2.48	-0.40	2.17	1.95	-0.23
North	U40	1.22	0.98	-0.24	2.03	1.64	-0.39	4.87	3.93	-0.94	3.31	2.73	-0.58	2.92	2.37	-0.55	2.47	2.02	-0.45
North	U41	1.27	1.00	-0.27	2.12	1.66	-0.46	5.15	4.22	-0.93	3.41	2.81	-0.60	2.96	2.45	-0.50	2.32	1.91	-0.41
North	U42	1.08	0.83	-0.25	1.81	1.39	-0.41	4.07	3.28	-0.79	2.70	2.20	-0.50	2.35	1.93	-0.42	1.91	1.58	-0.33
North	U43	1.00	0.84	-0.16	1.67	1.40	-0.27	3.70	3.01	-0.69	2.47	2.04	-0.43	2.16	1.78	-0.38	1.86	1.55	-0.31
North	U44	1.07	0.95	-0.11	1.78	1.59	-0.19	3.83	3.29	-0.54	2.58	2.25	-0.33	2.28	2.00	-0.28	2.18	1.94	-0.25
North	U45	2.77	2.45	-0.32	4.62	4.09	-0.53	8.13	7.15	-0.99	5.56	4.88	-0.68	5.08	4.47	-0.61	6.05	5.20	-0.85
North	U46	1.06	0.84	-0.22	1.77	1.40	-0.37	3.80	3.02	-0.78	2.56	2.03	-0.53	2.26	1.79	-0.47	2.18	1.75	-0.42
North	U47	1.00	0.74	-0.26	1.67	1.24	-0.44	3.71	2.74	-0.97	2.47	1.83	-0.65	2.16	1.60	-0.57	1.86	1.40	-0.46

RATING FACTOR COMPARISON FROM 2010 (BASED ON 1996 AXIAL FORCES) TO 2012

GUSSET PLATE RATING FACTOR COMPARISON																			
Truss	Panel Point	HS-20 (INV.)			HS-20 (OPR.)			2F1			3F1			4F1			5C1		
		2010	2012	Change	2010	2012	Change	2010	2012	Change	2010	2012	Change	2010	2012	Change	2010	2012	Change
North	U48	1.70	1.33	-0.37	2.84	2.23	-0.61	6.41	5.02	-1.39	4.25	3.33	-0.92	3.70	2.89	-0.80	2.98	2.39	-0.59
North	U49	1.38	1.06	-0.32	2.30	1.77	-0.54	5.76	4.29	-1.47	3.81	2.84	-0.97	3.30	2.45	-0.84	2.56	1.92	-0.63
North	U50	1.05	0.75	-0.30	1.76	1.26	-0.50	6.28	3.91	-2.37	4.12	2.57	-1.55	3.54	2.21	-1.32	2.55	1.63	-0.91
North	U51	1.24	0.95	-0.29	2.07	1.59	-0.49	7.01	4.65	-2.37	4.61	3.06	-1.55	3.96	2.63	-1.33	2.89	1.97	-0.92
North	U52	1.26	0.99	-0.27	2.11	1.65	-0.45	6.80	4.81	-1.99	4.48	3.17	-1.31	3.85	2.73	-1.12	2.85	2.06	-0.79
North	U53	1.08	0.80	-0.28	1.80	1.34	-0.46	5.42	3.70	-1.72	3.57	2.44	-1.13	3.08	2.11	-0.98	2.31	1.61	-0.70
North	U54	1.01	0.75	-0.26	1.69	1.25	-0.44	4.67	3.27	-1.40	3.09	2.16	-0.92	2.67	1.87	-0.80	2.04	1.46	-0.59
North	U55	1.02	0.71	-0.31	1.70	1.18	-0.51	5.48	3.91	-1.57	3.60	2.56	-1.04	3.10	2.20	-0.89	2.32	1.66	-0.66
North	U56	2.51	2.18	-0.33	4.19	3.64	-0.55	7.37	6.48	-0.89	5.04	4.39	-0.64	4.60	3.97	-0.64	5.48	4.56	-0.92
North	U57	0.87	0.57	-0.30	1.44	0.94	-0.50	4.67	3.12	-1.55	3.06	2.05	-1.02	2.64	1.76	-0.88	1.97	1.33	-0.65
North	U58	1.29	0.93	-0.36	2.16	1.56	-0.60	5.93	4.28	-1.65	3.92	2.82	-1.10	3.39	2.43	-0.96	2.60	1.89	-0.71
North	U59	1.22	0.90	-0.33	2.04	1.50	-0.55	6.16	4.29	-1.87	4.06	2.82	-1.24	3.50	2.43	-1.08	2.63	1.86	-0.77
North	U60	1.21	0.97	-0.24	2.01	1.61	-0.40	6.50	4.61	-1.88	4.28	3.03	-1.24	3.68	2.61	-1.07	2.72	1.97	-0.75
North	U61	1.32	1.16	-0.15	2.20	1.94	-0.26	7.45	5.27	-2.18	4.89	3.46	-1.43	4.20	2.98	-1.22	3.06	2.25	-0.81
North	U62	1.06	0.98	-0.08	1.76	1.64	-0.13	6.32	4.29	-2.03	4.15	2.82	-1.33	3.56	2.43	-1.13	2.56	1.83	-0.73
North	U63	1.12	0.85	-0.27	1.87	1.42	-0.44	4.49	3.66	-0.83	3.03	2.42	-0.61	2.68	2.12	-0.57	2.18	1.76	-0.42
North	U64	1.09	0.83	-0.26	1.82	1.38	-0.43	4.42	3.52	-0.89	2.92	2.33	-0.59	2.54	2.00	-0.53	1.99	1.58	-0.41
North	U65	1.00	0.77	-0.23	1.67	1.29	-0.38	4.05	3.30	-0.75	2.68	2.19	-0.50	2.33	1.89	-0.44	1.83	1.57	-0.26
North	U66	1.03	0.82	-0.21	1.72	1.37	-0.35	3.80	3.08	-0.72	2.54	2.05	-0.50	2.22	1.77	-0.45	1.92	1.56	-0.36
North	U67	1.76	1.59	-0.18	2.95	2.65	-0.29	6.32	5.72	-0.60	4.26	3.83	-0.43	3.76	3.33	-0.43	3.62	3.32	-0.30
North	U68	3.74	3.47	-0.27	6.24	5.79	-0.45	10.98	10.41	-0.58	7.50	6.99	-0.51	6.86	6.29	-0.58	8.16	7.22	-0.95
North	U69	1.22	1.08	-0.14	2.04	1.80	-0.24	4.37	3.87	-0.50	2.94	2.60	-0.34	2.60	2.25	-0.35	2.51	2.18	-0.33
North	U70	1.01	0.82	-0.20	1.69	1.37	-0.33	3.75	3.02	-0.73	2.50	2.01	-0.50	2.19	1.74	-0.45	1.89	1.52	-0.37
North	U71	1.33	1.05	-0.28	2.23	1.75	-0.47	5.01	4.07	-0.95	3.33	2.70	-0.63	2.90	2.33	-0.57	2.36	1.92	-0.44
North	U72	1.25	1.01	-0.24	2.09	1.68	-0.41	5.08	4.16	-0.92	3.36	2.75	-0.61	2.91	2.38	-0.54	2.29	1.88	-0.41
North	U73	1.27	0.99	-0.29	2.13	1.65	-0.48	5.13	4.25	-0.88	3.46	2.81	-0.65	3.06	2.45	-0.61	2.49	2.02	-0.46
North	U74	1.03	0.89	-0.13	1.72	1.49	-0.22	7.42	5.91	-1.51	4.87	3.89	-0.98	4.18	3.33	-0.85	2.98	2.44	-0.54
North	U75	0.62	0.48	-0.14	1.04	0.80	-0.24	4.34	3.07	-1.27	2.85	2.03	-0.82	2.44	1.73	-0.71	1.75	1.27	-0.48
North	U76	0.81	0.68	-0.13	1.35	1.14	-0.21	5.63	4.44	-1.19	3.70	2.93	-0.77	3.17	2.51	-0.66	2.27	1.84	-0.44
North	U77	0.93	0.82	-0.11	1.55	1.37	-0.19	6.06	5.14	-0.93	3.98	3.39	-0.60	3.42	2.90	-0.52	2.48	2.14	-0.34
North	U78	1.10	1.00	-0.11	1.84	1.66	-0.18	6.71	6.02	-0.70	4.41	3.97	-0.44	3.80	3.40	-0.40	2.77	2.52	-0.25
North	U79	1.06	0.96	-0.10	1.77	1.60	-0.17	5.78	5.39	-0.39	3.81	3.56	-0.24	3.28	3.05	-0.22	2.41	2.28	-0.12
North	U80	1.49	1.72	0.23	2.49	2.88	0.39	8.25	8.43	0.18	5.43	5.57	0.13	4.68	4.78	0.10	3.48	3.62	0.14
North	U81	0.71	0.71	0.00	1.18	1.19	0.01	4.82	5.17	0.35	3.16	3.38	0.22	2.71	2.90	0.19	1.96	2.12	0.16
North	U82	3.06	3.47	0.41	5.11	5.79	0.68	8.99	10.46	1.47	6.14	7.02	0.88	5.62	6.31	0.69	6.69	7.21	0.52
North	U83	0.85	0.74	-0.11	1.41	1.24	-0.18	5.80	5.28	-0.52	3.80	3.48	-0.32	3.26	3.01	-0.25	2.37	2.25	-0.12
North	U84	1.21	0.92	-0.29	2.02	1.54	-0.48	7.25	5.88	-1.37	4.78	3.87	-0.91	4.12	3.33	-0.79	3.06	2.50	-0.55
North	U85	1.12	0.76	-0.36	1.87	1.27	-0.60	6.16	4.82	-1.34	4.05	3.17	-0.88	3.49	2.73	-0.76	2.56	2.04	-0.53
North	U86	1.10	0.92	-0.19	1.84	1.53	-0.31	6.75	5.72	-1.04	4.44	3.76	-0.68	3.82	3.23	-0.58	2.78	2.39	-0.39
North	U87	0.79	0.89	0.10	1.31	1.49	0.17	5.26	5.14	-0.12	3.46	3.36	-0.10	2.96	2.88	-0.08	2.17	2.12	-0.05
North	U88	1.07	1.12	0.05	1.78	1.87	0.08	7.23	6.60	-0.63	4.75	4.35	-0.41	4.08	3.73	-0.35	2.94	2.76	-0.17
North	U89	1.02	1.13	0.11	1.70	1.88	0.19	7.10	6.36	-0.75	4.66	4.19	-0.47	4.00	3.60	-0.40	2.87	2.69	-0.18
North	U90	0.83	1.51	0.69	1.38	2.53	1.15	5.89	6.40	0.51	3.87	4.19	0.32	3.32	3.59	0.27	2.43	2.64	0.21
North	U91	3.14	3.50	0.37	5.24	5.85	0.61	11.26	12.59	1.33	7.58	8.33	0.75	6.69	7.29	0.59	6.26	7.10	0.84
North	U92	0.91	0.54	-0.37	1.51	0.90	-0.62	4.55	2.90	-1.66	3.00	1.90	-1.11	2.59	1.63	-0.96	1.93	1.22	-0.71
North	U93	1.21	0.91	-0.30	2.01	1.52	-0.50	4.89	3.83	-1.07	3.29	2.53	-0.76	2.90	2.21	-0.69	2.62	2.07	-0.56
North	U94	1.25	0.88	-0.37	2.09	1.47	-0.61	6.13	4.61	-1.52	4.07	3.05	-1.02	3.54	2.64	-0.90	2.69	2.02	-0.67
North	U95	1.17	0.70	-0.47	1.95	1.17	-0.78	5.54	4.03	-1.51	3.65	2.66	-0.99	3.15	2.28	-0.87	2.37	1.73	-0.64

RATING FACTOR COMPARISON FROM 2010 (BASED ON 1996 AXIAL FORCES) TO 2012

GUSSET PLATE RATING FACTOR COMPARISON																			
Truss	Panel Point	HS-20 (INV.)			HS-20 (OPR.)			2F1			3F1			4F1			5C1		
		2010	2012	Change	2010	2012	Change	2010	2012	Change	2010	2012	Change	2010	2012	Change	2010	2012	Change
North	U96	1.20	0.86	-0.34	2.00	1.43	-0.57	5.28	3.88	-1.41	3.49	2.57	-0.92	3.02	2.20	-0.82	2.31	1.70	-0.61
North	U97	1.15	1.03	-0.12	1.91	1.71	-0.20	5.04	3.98	-1.06	3.33	2.64	-0.69	2.88	2.27	-0.61	2.21	1.80	-0.41
North	U98	1.35	1.09	-0.26	2.25	1.82	-0.43	5.07	4.11	-0.96	3.37	2.74	-0.63	2.93	2.35	-0.58	2.38	1.93	-0.45
North	U99	1.13	0.79	-0.34	1.89	1.32	-0.57	4.54	3.20	-1.35	2.99	2.10	-0.89	2.59	1.81	-0.78	2.06	1.45	-0.61
North	U100	2.67	2.79	0.12	4.45	4.66	0.21	7.83	8.42	0.59	5.35	5.65	0.30	4.90	5.08	0.18	5.84	5.81	-0.04
North	U101	1.48	1.11	-0.37	2.48	1.85	-0.62	5.97	4.49	-1.48	3.93	2.94	-0.98	3.40	2.53	-0.86	2.70	2.03	-0.67
North	U102	1.40	1.10	-0.30	2.33	1.83	-0.50	5.26	4.14	-1.12	3.49	2.74	-0.75	3.04	2.38	-0.66	2.47	1.95	-0.52
North	U103	1.17	0.86	-0.31	1.95	1.44	-0.51	4.74	3.46	-1.28	3.14	2.29	-0.86	2.72	1.98	-0.75	2.14	1.57	-0.57
North	U104	1.24	0.65	-0.59	2.06	1.08	-0.99	5.45	2.97	-2.48	3.60	1.95	-1.65	3.11	1.67	-1.44	2.38	1.28	-1.11
North	U105	0.78	1.15	0.37	1.30	1.92	0.62	4.04	6.13	2.09	2.65	4.03	1.38	2.28	3.46	1.19	1.68	2.58	0.90
North	U106	1.01	1.25	0.24	1.69	2.08	0.39	5.02	6.30	1.28	3.33	4.19	0.86	2.89	3.61	0.73	2.27	2.76	0.49
North	U107	0.95	0.80	-0.15	1.59	1.34	-0.25	4.15	3.59	-0.57	2.77	2.38	-0.39	2.41	2.06	-0.35	2.01	1.87	-0.13
North	U108	1.96	1.69	-0.27	3.28	2.82	-0.45	7.06	6.10	-0.96	4.75	4.04	-0.71	4.19	3.52	-0.67	3.90	3.31	-0.59
North	U109	3.75	3.11	-0.64	6.26	5.20	-1.06	10.80	11.33	0.52	7.24	7.50	0.26	6.37	6.52	0.15	5.74	5.93	0.18
North	U110	0.59	0.26	-0.33	0.99	0.43	-0.56	3.41	1.49	-1.92	2.25	0.97	-1.27	1.92	0.84	-1.09	1.42	0.61	-0.81
North	U111	1.07	1.63	0.56	1.79	2.72	0.93	8.19	7.93	-0.27	5.36	5.19	-0.18	4.59	4.45	-0.15	3.23	3.26	0.03
North	U112	1.00	1.00	0.01	1.66	1.68	0.01	7.22	6.24	-0.98	4.73	4.10	-0.63	4.05	3.53	-0.52	2.86	2.58	-0.28
North	U113	0.67	0.42	-0.25	1.12	0.71	-0.41	4.41	2.67	-1.74	2.89	1.75	-1.14	2.48	1.51	-0.97	1.77	1.10	-0.67
North	U114	1.07	0.60	-0.46	1.78	1.01	-0.77	6.80	4.18	-2.62	4.47	2.75	-1.72	3.83	2.36	-1.47	2.73	1.70	-1.03
North	U115	1.04	0.53	-0.51	1.73	0.89	-0.84	6.39	3.46	-2.93	4.20	2.28	-1.92	3.61	1.96	-1.65	2.64	1.44	-1.20
North	U116	0.82	0.74	-0.09	1.37	1.23	-0.15	5.78	4.55	-1.23	3.80	2.99	-0.80	3.26	2.57	-0.69	2.39	1.89	-0.50
North	U117	1.01	0.60	-0.41	1.68	1.01	-0.68	7.03	3.44	-3.59	4.63	2.27	-2.37	4.00	1.95	-2.05	2.97	1.46	-1.51
North	U118	2.90	2.38	-0.52	4.84	3.97	-0.87	8.52	7.04	-1.49	5.82	4.78	-1.05	5.33	4.32	-1.01	6.34	4.99	-1.35
North	U119	0.55	0.56	0.01	0.92	0.94	0.02	3.70	3.61	-0.10	2.43	2.36	-0.07	2.08	2.03	-0.06	1.51	1.49	-0.02
North	U120	1.37	1.52	0.15	2.28	2.53	0.25	7.30	6.23	-1.07	4.79	4.09	-0.71	4.12	3.52	-0.61	3.02	2.63	-0.39
North	U121	0.47	0.49	0.02	0.79	0.82	0.03	3.20	3.10	-0.10	2.11	2.03	-0.08	1.80	1.74	-0.06	1.30	1.27	-0.03
North	U122	1.16	0.97	-0.19	1.94	1.63	-0.32	6.99	5.22	-1.77	4.59	3.42	-1.17	3.94	2.94	-1.00	2.84	2.17	-0.68
North	U123	0.62	1.01	0.40	1.03	1.69	0.66	4.05	5.70	1.65	2.65	3.74	1.08	2.28	3.21	0.93	1.62	2.35	0.72
North	U124	0.90	0.71	-0.20	1.51	1.18	-0.33	6.32	4.03	-2.29	4.14	2.64	-1.50	3.54	2.26	-1.28	2.49	1.63	-0.86
North	U125	1.04	0.86	-0.17	1.73	1.44	-0.29	7.93	5.04	-2.89	5.18	3.30	-1.88	4.43	2.82	-1.60	3.08	2.02	-1.06
North	U126	1.15	0.95	-0.20	1.93	1.59	-0.34	9.35	6.07	-3.28	6.10	3.97	-2.13	5.20	3.39	-1.81	3.57	2.41	-1.16
North	U127	0.50	0.28	-0.22	0.83	0.47	-0.36	2.30	1.18	-1.12	1.51	0.77	-0.74	1.30	0.67	-0.64	0.98	0.51	-0.47
North	U128	0.90	0.71	-0.19	1.50	1.18	-0.32	3.89	2.70	-1.19	2.57	1.78	-0.79	2.22	1.54	-0.68	1.73	1.22	-0.51
North	U129	1.04	0.75	-0.29	1.74	1.26	-0.48	3.92	2.85	-1.07	2.60	1.89	-0.71	2.26	1.64	-0.62	1.83	1.35	-0.48
North	U130	1.48	1.18	-0.30	2.47	1.97	-0.50	5.47	4.37	-1.10	3.65	2.91	-0.74	3.19	2.54	-0.65	2.67	2.11	-0.56
North	U131	1.33	1.08	-0.25	2.22	1.80	-0.42	5.46	4.08	-1.38	3.59	2.68	-0.91	3.11	2.32	-0.79	2.45	1.86	-0.59
North	U132	1.87	1.66	-0.22	3.12	2.76	-0.36	6.93	6.23	-0.70	4.62	4.13	-0.49	4.04	3.59	-0.45	3.42	2.96	-0.46
North	U133	1.11	0.90	-0.20	1.85	1.51	-0.34	4.18	3.41	-0.77	2.77	2.26	-0.51	2.41	1.96	-0.45	1.95	1.62	-0.33
North	U134	0.96	0.73	-0.23	1.61	1.23	-0.38	3.90	2.85	-1.04	2.58	1.89	-0.69	2.23	1.63	-0.60	1.74	1.29	-0.45
North	U135	0.68	0.42	-0.26	1.14	0.70	-0.44	3.14	1.80	-1.34	2.07	1.18	-0.88	1.78	1.02	-0.76	1.31	0.76	-0.56
North	L1	0.98	0.76	-0.22	1.64	1.26	-0.37	3.97	3.06	-0.91	2.63	2.05	-0.58	2.28	1.79	-0.48	1.79	1.42	-0.37
North	L2	1.03	0.82	-0.21	1.72	1.37	-0.35	3.88	3.08	-0.80	2.58	2.07	-0.51	2.24	1.81	-0.43	1.83	1.49	-0.34
North	L3	0.94	0.77	-0.17	1.57	1.28	-0.29	3.47	2.74	-0.73	2.32	1.85	-0.46	2.03	1.63	-0.40	1.75	1.43	-0.32
North	L4	1.45	1.28	-0.18	2.43	2.13	-0.29	5.21	4.62	-0.59	3.51	3.17	-0.34	3.10	2.73	-0.37	2.58	2.23	-0.35
North	L5	0.90	0.77	-0.12	1.50	1.29	-0.21	2.63	2.25	-0.39	1.80	1.54	-0.26	1.64	1.41	-0.24	1.96	1.64	-0.32
North	L6	1.08	0.85	-0.23	1.80	1.42	-0.38	4.37	3.47	-0.90	2.90	2.30	-0.59	2.51	2.00	-0.51	1.97	1.60	-0.37
North	L7	1.12	0.86	-0.26	1.86	1.43	-0.43	4.91	3.85	-1.06	3.25	2.55	-0.70	2.81	2.21	-0.60	2.15	1.72	-0.43
North	L8	1.05	0.80	-0.24	1.75	1.34	-0.40	4.78	3.70	-1.08	3.18	2.47	-0.71	2.77	2.15	-0.62	2.13	1.69	-0.44

RATING FACTOR COMPARISON FROM 2010 (BASED ON 1996 AXIAL FORCES) TO 2012

GUSSET PLATE RATING FACTOR COMPARISON																			
Truss	Panel Point	HS-20 (INV.)			HS-20 (OPR.)			2F1			3F1			4F1			5C1		
		2010	2012	Change	2010	2012	Change	2010	2012	Change	2010	2012	Change	2010	2012	Change	2010	2012	Change
North	L9	1.13	0.88	-0.25	1.89	1.46	-0.43	5.02	3.99	-1.03	3.35	2.66	-0.69	2.92	2.32	-0.60	2.41	1.98	-0.43
North	L10	0.98	0.72	-0.26	1.64	1.20	-0.44	5.92	4.12	-1.80	3.90	2.73	-1.16	3.36	2.34	-1.01	2.47	1.76	-0.71
North	L11	1.22	1.18	-0.04	2.04	1.97	-0.07	6.24	5.50	-0.74	4.11	3.66	-0.46	3.54	3.18	-0.36	2.63	2.42	-0.21
North	L12	0.94	0.88	-0.06	1.57	1.47	-0.10	4.56	3.93	-0.62	3.01	2.62	-0.38	2.59	2.29	-0.31	1.95	1.76	-0.19
North	L13	0.94	0.89	-0.05	1.57	1.49	-0.08	4.25	3.80	-0.45	2.81	2.54	-0.27	2.43	2.21	-0.22	1.86	1.73	-0.13
North	L14	0.93	0.79	-0.14	1.55	1.32	-0.23	3.79	3.48	-0.31	2.51	2.33	-0.18	2.18	2.04	-0.14	1.71	1.63	-0.08
North	L15	1.12	1.04	-0.08	1.87	1.73	-0.14	3.29	3.01	-0.28	2.25	2.06	-0.19	2.05	1.89	-0.17	2.45	2.19	-0.25
North	L16	1.04	1.00	-0.04	1.73	1.67	-0.06	4.36	4.28	-0.08	2.89	2.84	-0.05	2.50	2.47	-0.04	1.97	1.98	0.02
North	L17	0.96	0.94	-0.02	1.61	1.57	-0.04	4.42	4.15	-0.26	2.92	2.75	-0.17	2.52	2.38	-0.14	1.93	1.87	-0.06
North	L18	0.81	0.75	-0.06	1.35	1.26	-0.10	3.89	3.40	-0.49	2.57	2.25	-0.32	2.22	1.95	-0.27	1.67	1.51	-0.16
North	L19	1.07	1.11	0.04	1.79	1.86	0.07	5.47	4.90	-0.57	3.60	3.24	-0.36	3.10	2.81	-0.30	2.31	2.18	-0.12
North	L20	0.96	0.76	-0.20	1.61	1.27	-0.34	5.72	3.98	-1.75	3.76	2.63	-1.13	3.24	2.26	-0.98	2.38	1.72	-0.67
North	L21	1.65	1.45	-0.21	2.75	2.41	-0.34	6.37	5.74	-0.64	4.26	3.90	-0.37	3.74	3.40	-0.33	3.21	3.00	-0.22
North	L22	0.96	0.75	-0.21	1.61	1.25	-0.36	3.80	3.06	-0.74	2.54	2.07	-0.46	2.22	1.81	-0.40	1.77	1.46	-0.31
North	L23	1.10	0.89	-0.21	1.84	1.49	-0.35	4.15	3.43	-0.72	2.76	2.30	-0.46	2.40	2.02	-0.38	1.95	1.65	-0.31
North	L24	1.05	0.90	-0.15	1.76	1.50	-0.26	3.89	3.23	-0.66	2.60	2.19	-0.41	2.27	1.91	-0.36	1.96	1.67	-0.29
North	L25	0.90	0.78	-0.12	1.50	1.30	-0.20	2.64	2.26	-0.38	1.80	1.55	-0.26	1.65	1.42	-0.23	1.97	1.66	-0.31
North	L26	1.03	0.82	-0.21	1.71	1.36	-0.35	3.68	2.93	-0.75	2.48	1.97	-0.51	2.19	1.74	-0.45	2.08	1.65	-0.43
North	L27	1.01	0.78	-0.22	1.68	1.30	-0.37	3.72	2.89	-0.83	2.48	1.93	-0.55	2.17	1.69	-0.48	1.87	1.48	-0.39
North	L28	1.23	0.97	-0.26	2.05	1.62	-0.43	4.61	3.65	-0.96	3.06	2.42	-0.64	2.66	2.11	-0.56	2.17	1.74	-0.43
North	L29	1.44	1.16	-0.28	2.40	1.93	-0.47	5.32	4.38	-0.94	3.61	2.97	-0.64	3.19	2.65	-0.54	2.69	2.23	-0.45
North	L30	1.71	1.37	-0.33	2.85	2.29	-0.56	10.27	8.01	-2.26	6.76	5.32	-1.43	5.82	4.56	-1.25	4.28	3.43	-0.85
North	L31	1.11	1.02	-0.09	1.85	1.71	-0.15	5.66	4.70	-0.97	3.73	3.13	-0.61	3.22	2.72	-0.49	2.39	2.08	-0.31
North	L32	0.98	0.88	-0.09	1.63	1.47	-0.16	4.74	3.93	-0.81	3.13	2.62	-0.50	2.70	2.28	-0.42	2.03	1.76	-0.27
North	L33	0.95	0.85	-0.09	1.58	1.43	-0.16	4.37	3.71	-0.65	2.89	2.48	-0.41	2.50	2.16	-0.34	1.91	1.69	-0.22
North	L34	0.97	0.90	-0.07	1.61	1.50	-0.12	4.32	3.71	-0.61	2.86	2.49	-0.37	2.48	2.19	-0.30	1.95	1.75	-0.20
North	L35	1.04	0.85	-0.18	1.73	1.42	-0.31	3.27	2.99	-0.28	2.23	2.04	-0.19	2.04	1.87	-0.17	1.96	1.68	-0.28
North	L36	0.87	0.82	-0.05	1.45	1.37	-0.08	3.71	3.54	-0.17	2.46	2.35	-0.11	2.13	2.04	-0.09	1.67	1.64	-0.03
North	L37	0.94	0.88	-0.06	1.57	1.47	-0.10	4.38	3.89	-0.49	2.89	2.58	-0.32	2.50	2.23	-0.27	1.92	1.76	-0.16
North	L38	1.04	0.97	-0.07	1.74	1.61	-0.12	5.05	4.33	-0.72	3.33	2.87	-0.46	2.87	2.48	-0.39	2.16	1.94	-0.23
North	L39	1.10	1.11	0.01	1.84	1.86	0.02	5.61	4.56	-1.05	3.70	3.03	-0.67	3.19	2.62	-0.56	2.37	2.07	-0.30
North	L40	1.77	1.39	-0.38	2.96	2.32	-0.64	10.32	7.57	-2.74	6.79	5.02	-1.77	5.84	4.33	-1.52	4.30	3.31	-0.99
North	L41	1.37	1.08	-0.29	2.28	1.80	-0.48	5.27	4.32	-0.95	3.59	3.01	-0.58	3.17	2.61	-0.56	2.68	2.23	-0.45
North	L42	1.18	0.91	-0.27	1.97	1.52	-0.45	4.79	3.87	-0.92	3.17	2.58	-0.59	2.75	2.25	-0.50	2.16	1.75	-0.41
North	L43	1.07	0.84	-0.23	1.78	1.40	-0.38	4.01	3.29	-0.72	2.67	2.21	-0.46	2.32	1.94	-0.38	1.89	1.59	-0.30
North	L44	1.00	0.84	-0.16	1.67	1.40	-0.27	3.70	3.01	-0.69	2.47	2.04	-0.43	2.16	1.78	-0.38	1.86	1.55	-0.31
North	L45	1.06	0.84	-0.22	1.77	1.40	-0.37	3.31	2.80	-0.51	2.26	1.92	-0.35	2.07	1.75	-0.32	2.18	1.75	-0.42
North	L46	1.00	0.74	-0.26	1.67	1.24	-0.44	3.71	2.74	-0.97	2.47	1.83	-0.65	2.16	1.60	-0.57	1.86	1.40	-0.46
North	L47	1.09	0.80	-0.29	1.81	1.33	-0.48	4.10	3.01	-1.09	2.72	2.00	-0.72	2.36	1.74	-0.63	1.91	1.43	-0.48
North	L48	1.29	0.97	-0.32	2.15	1.62	-0.53	5.39	3.94	-1.44	3.56	2.61	-0.95	3.08	2.25	-0.83	2.39	1.77	-0.62
North	L49	2.10	1.73	-0.36	3.50	2.90	-0.60	7.99	6.66	-1.33	5.45	4.45	-1.00	4.81	3.93	-0.88	4.19	3.46	-0.73
North	L50	2.73	2.18	-0.55	4.56	3.64	-0.92	18.44	13.44	-5.00	12.10	8.83	-3.28	10.38	7.56	-2.82	7.41	5.52	-1.90
North	L51	1.10	0.80	-0.29	1.83	1.34	-0.49	6.53	4.16	-2.37	4.28	2.74	-1.54	3.68	2.36	-1.32	2.65	1.74	-0.91
North	L52	0.86	0.57	-0.29	1.43	0.95	-0.48	4.82	2.83	-1.99	3.16	1.86	-1.30	2.72	1.60	-1.12	1.98	1.19	-0.79
North	L53	0.94	0.68	-0.27	1.57	1.13	-0.44	4.95	3.24	-1.71	3.26	2.13	-1.13	2.80	1.84	-0.97	2.07	1.39	-0.69
North	L54	1.12	0.84	-0.28	1.86	1.40	-0.46	5.62	3.88	-1.73	3.70	2.56	-1.14	3.19	2.21	-0.98	2.40	1.69	-0.71
North	L55	1.01	0.75	-0.26	1.69	1.25	-0.44	4.67	3.27	-1.40	3.09	2.16	-0.92	2.67	1.87	-0.80	2.04	1.46	-0.59
North	L56	1.05	0.93	-0.13	1.76	1.55	-0.21	4.20	3.49	-0.71	2.87	2.36	-0.50	2.62	2.09	-0.53	2.22	1.68	-0.54

RATING FACTOR COMPARISON FROM 2010 (BASED ON 1996 AXIAL FORCES) TO 2012

GUSSET PLATE RATING FACTOR COMPARISON																			
Truss	Panel Point	HS-20 (INV.)			HS-20 (OPR.)			2F1			3F1			4F1			5C1		
		2010	2012	Change	2010	2012	Change	2010	2012	Change	2010	2012	Change	2010	2012	Change	2010	2012	Change
North	L57	1.10	0.78	-0.32	1.83	1.30	-0.53	5.43	3.66	-1.77	3.58	2.41	-1.17	3.10	2.08	-1.02	2.37	1.62	-0.75
North	L58	1.19	0.86	-0.33	1.98	1.44	-0.54	5.97	4.10	-1.86	3.93	2.70	-1.24	3.39	2.32	-1.07	2.55	1.78	-0.77
North	L59	0.78	0.45	-0.33	1.31	0.76	-0.55	4.12	2.23	-1.89	2.71	1.47	-1.24	2.33	1.26	-1.07	1.72	0.95	-0.78
North	L60	0.86	0.58	-0.27	1.43	0.97	-0.46	4.81	2.83	-1.98	3.16	1.86	-1.30	2.72	1.60	-1.11	1.98	1.20	-0.78
North	L61	0.80	0.68	-0.12	1.34	1.14	-0.20	4.80	3.14	-1.66	3.15	2.06	-1.09	2.70	1.77	-0.93	1.95	1.33	-0.62
North	L62	1.33	1.17	-0.16	2.22	1.95	-0.26	9.12	6.73	-2.39	5.98	4.41	-1.57	5.12	3.78	-1.34	3.65	2.79	-0.85
North	L63	1.58	1.36	-0.22	2.63	2.27	-0.37	5.58	5.26	-0.32	3.77	3.48	-0.28	3.33	3.05	-0.29	3.21	3.02	-0.19
North	L64	1.40	1.12	-0.28	2.33	1.87	-0.47	5.62	4.81	-0.81	3.79	3.18	-0.61	3.35	2.78	-0.58	2.73	2.31	-0.42
North	L65	1.09	0.83	-0.26	1.82	1.38	-0.43	4.42	3.52	-0.89	2.92	2.33	-0.59	2.54	2.00	-0.53	1.99	1.58	-0.41
North	L66	1.04	0.73	-0.31	1.73	1.21	-0.52	3.89	3.12	-0.78	2.59	2.07	-0.52	2.25	1.78	-0.47	1.83	1.48	-0.35
North	L67	1.03	0.82	-0.21	1.72	1.37	-0.35	3.80	3.08	-0.72	2.54	2.05	-0.50	2.22	1.77	-0.45	1.92	1.56	-0.36
North	L68	1.44	1.28	-0.16	2.40	2.14	-0.26	4.73	4.37	-0.36	3.23	2.94	-0.30	2.96	2.64	-0.32	2.95	2.59	-0.36
North	L69	1.01	0.82	-0.20	1.69	1.37	-0.33	3.75	3.02	-0.73	2.50	2.01	-0.50	2.19	1.74	-0.45	1.89	1.52	-0.37
North	L70	1.03	0.79	-0.23	1.71	1.33	-0.38	3.85	3.07	-0.78	2.56	2.04	-0.52	2.23	1.76	-0.47	1.81	1.45	-0.36
North	L71	1.25	1.01	-0.24	2.09	1.68	-0.41	5.08	4.16	-0.92	3.36	2.75	-0.61	2.91	2.38	-0.54	2.29	1.88	-0.41
North	L72	1.18	0.90	-0.28	1.97	1.51	-0.47	4.75	3.88	-0.87	3.21	2.56	-0.64	2.84	2.24	-0.60	2.30	1.85	-0.46
North	L73	2.25	2.08	-0.17	3.75	3.48	-0.28	8.77	8.53	-0.24	5.88	5.64	-0.25	5.17	4.93	-0.24	4.57	4.44	-0.13
North	L74	1.16	1.00	-0.16	1.94	1.67	-0.27	9.25	6.60	-2.65	6.07	4.33	-1.74	5.21	3.71	-1.50	3.71	2.71	-1.00
North	L75	0.73	0.58	-0.15	1.21	0.97	-0.24	5.24	3.83	-1.42	3.44	2.52	-0.92	2.95	2.16	-0.79	2.11	1.58	-0.53
North	L76	1.02	0.90	-0.13	1.71	1.50	-0.21	7.15	5.79	-1.36	4.69	3.81	-0.88	4.03	3.26	-0.76	2.89	2.40	-0.49
North	L77	0.95	0.87	-0.08	1.59	1.45	-0.14	6.35	5.53	-0.83	4.17	3.64	-0.53	3.58	3.12	-0.46	2.58	2.29	-0.29
North	L78	0.99	0.88	-0.11	1.66	1.48	-0.18	6.47	5.55	-0.92	4.25	3.66	-0.59	3.65	3.13	-0.52	2.65	2.32	-0.33
North	L79	1.10	1.00	-0.11	1.84	1.66	-0.18	6.71	6.02	-0.70	4.41	3.97	-0.44	3.80	3.40	-0.40	2.77	2.52	-0.25
North	L80	1.01	0.91	-0.10	1.69	1.52	-0.17	5.54	5.14	-0.40	3.65	3.40	-0.25	3.14	2.91	-0.23	2.31	2.18	-0.13
North	L81	1.23	1.19	-0.04	2.06	1.99	-0.07	8.25	8.26	0.01	5.43	5.40	-0.03	4.68	4.63	-0.05	3.43	3.40	-0.04
North	L82	0.98	0.86	-0.12	1.64	1.44	-0.20	4.74	4.56	-0.18	3.23	3.06	-0.17	2.96	2.75	-0.21	2.90	2.29	-0.61
North	L83	0.96	0.74	-0.21	1.59	1.24	-0.35	6.68	5.09	-1.60	4.41	3.35	-1.06	3.80	2.88	-0.91	2.82	2.16	-0.66
North	L84	1.00	0.70	-0.29	1.66	1.17	-0.49	6.16	4.77	-1.39	4.05	3.13	-0.92	3.49	2.70	-0.79	2.56	2.01	-0.56
North	L85	0.96	0.77	-0.19	1.61	1.29	-0.32	5.90	4.83	-1.07	3.88	3.17	-0.71	3.33	2.73	-0.61	2.43	2.02	-0.41
North	L86	1.04	0.96	-0.08	1.74	1.60	-0.14	6.79	5.95	-0.84	4.46	3.92	-0.55	3.83	3.37	-0.47	2.78	2.49	-0.29
North	L87	1.04	1.03	0.00	1.73	1.73	0.00	7.01	6.38	-0.63	4.61	4.20	-0.41	3.96	3.61	-0.35	2.85	2.67	-0.18
North	L88	1.03	1.03	0.00	1.72	1.72	0.00	7.15	6.21	-0.94	4.70	4.09	-0.61	4.03	3.51	-0.51	2.89	2.60	-0.29
North	L89	1.38	2.05	0.67	2.31	3.42	1.11	9.85	10.70	0.86	6.47	7.01	0.53	5.55	6.01	0.46	4.06	4.42	0.36
North	L90	1.14	1.78	0.64	1.90	2.97	1.07	7.02	6.92	-0.10	4.63	4.53	-0.10	3.97	3.89	-0.08	2.94	2.88	-0.06
North	L91	2.06	2.12	0.06	3.44	3.53	0.09	10.94	9.57	-1.37	7.22	6.28	-0.94	6.23	5.39	-0.84	4.67	4.05	-0.61
North	L92	2.54	2.50	-0.04	4.24	4.17	-0.07	9.12	9.28	0.16	6.14	6.15	0.00	5.42	5.33	-0.09	5.07	4.68	-0.40
North	L93	1.54	1.29	-0.25	2.57	2.15	-0.42	6.39	5.53	-0.86	4.26	3.66	-0.60	3.73	3.17	-0.56	3.17	2.75	-0.42
North	L94	1.00	0.70	-0.30	1.68	1.17	-0.51	4.89	3.65	-1.24	3.29	2.42	-0.87	2.90	2.08	-0.82	2.26	1.65	-0.61
North	L95	1.04	0.69	-0.35	1.73	1.15	-0.58	5.07	3.59	-1.48	3.37	2.38	-0.99	2.93	2.05	-0.88	2.23	1.58	-0.65
North	L96	1.26	0.78	-0.48	2.11	1.30	-0.81	5.99	4.47	-1.52	3.96	2.95	-1.00	3.41	2.53	-0.88	2.57	1.92	-0.65
North	L97	1.15	0.81	-0.33	1.91	1.35	-0.56	5.04	3.66	-1.37	3.33	2.43	-0.90	2.88	2.08	-0.80	2.21	1.61	-0.60
North	L98	1.16	0.90	-0.25	1.93	1.51	-0.42	4.62	3.50	-1.12	3.06	2.33	-0.74	2.66	2.00	-0.66	2.08	1.59	-0.50
North	L99	1.15	0.93	-0.23	1.92	1.55	-0.38	4.33	3.49	-0.84	2.87	2.33	-0.55	2.50	2.00	-0.50	2.04	1.64	-0.39
North	L100	1.19	1.00	-0.19	1.98	1.67	-0.31	3.49	3.02	-0.46	2.38	2.03	-0.35	2.18	1.82	-0.36	2.60	2.08	-0.52
North	L101	1.22	0.98	-0.23	2.03	1.64	-0.39	4.58	3.71	-0.87	3.04	2.46	-0.59	2.65	2.13	-0.51	2.15	1.75	-0.40
North	L102	1.19	0.86	-0.32	1.98	1.44	-0.54	4.74	3.46	-1.28	3.14	2.29	-0.86	2.72	1.98	-0.75	2.14	1.57	-0.57
North	L103	1.13	0.78	-0.35	1.89	1.31	-0.58	4.99	3.55	-1.44	3.29	2.34	-0.95	2.85	2.02	-0.83	2.18	1.56	-0.62
North	L104	1.79	1.46	-0.34	2.99	2.43	-0.56	8.51	7.05	-1.46	5.62	4.65	-0.97	4.85	4.00	-0.84	3.65	3.04	-0.61

RATING FACTOR COMPARISON FROM 2010 (BASED ON 1996 AXIAL FORCES) TO 2012

GUSSET PLATE RATING FACTOR COMPARISON																			
Truss	Panel Point	HS-20 (INV.)			HS-20 (OPR.)			2F1			3F1			4F1			5C1		
		2010	2012	Change	2010	2012	Change	2010	2012	Change	2010	2012	Change	2010	2012	Change	2010	2012	Change
North	L105	1.13	0.81	-0.32	1.89	1.36	-0.53	5.87	4.34	-1.53	3.85	2.85	-1.00	3.31	2.45	-0.85	2.44	1.83	-0.61
North	L106	1.07	0.75	-0.33	1.79	1.24	-0.55	4.85	3.59	-1.27	3.25	2.38	-0.88	2.86	2.06	-0.80	2.41	1.77	-0.64
North	L107	1.09	0.77	-0.32	1.83	1.29	-0.54	4.78	3.50	-1.27	3.18	2.33	-0.85	2.77	2.01	-0.76	2.31	1.71	-0.60
North	L108	2.20	2.06	-0.14	3.67	3.44	-0.23	8.14	7.60	-0.53	5.43	5.05	-0.38	4.75	4.36	-0.39	4.06	3.80	-0.27
North	L109	2.20	2.32	0.12	3.68	3.88	0.20	11.69	9.94	-1.75	7.71	6.51	-1.20	6.65	5.59	-1.06	4.99	4.19	-0.79
North	L110	2.00	2.27	0.27	3.34	3.79	0.45	14.72	8.80	-5.92	9.71	5.75	-3.96	8.33	4.94	-3.39	6.18	3.67	-2.51
North	L111	1.25	1.89	0.65	2.08	3.16	1.08	9.51	9.62	0.11	6.23	6.33	0.10	5.33	5.44	0.11	3.75	4.45	0.71
North	L112	0.87	0.86	-0.02	1.45	1.43	-0.03	6.31	5.31	-1.00	4.13	3.49	-0.65	3.54	3.00	-0.53	2.50	2.20	-0.30
North	L113	1.29	1.08	-0.21	2.15	1.81	-0.35	8.84	7.14	-1.71	5.80	4.69	-1.11	4.97	4.03	-0.94	3.53	2.92	-0.60
North	L114	1.04	0.71	-0.33	1.74	1.19	-0.55	6.85	4.93	-1.92	4.50	3.24	-1.26	3.85	2.78	-1.07	2.75	2.01	-0.74
North	L115	1.32	0.84	-0.47	2.20	1.41	-0.79	7.91	5.51	-2.40	5.19	3.62	-1.57	4.46	3.11	-1.34	3.22	2.27	-0.95
North	L116	1.04	0.53	-0.51	1.73	0.89	-0.84	6.39	3.46	-2.93	4.20	2.28	-1.92	3.61	1.96	-1.65	2.64	1.44	-1.20
North	L117	1.19	0.78	-0.41	1.98	1.30	-0.68	8.29	4.43	-3.86	5.46	2.92	-2.54	4.70	2.51	-2.19	3.45	1.88	-1.57
North	L118	0.99	0.77	-0.23	1.66	1.28	-0.38	4.78	3.75	-1.03	3.26	2.49	-0.77	2.99	2.15	-0.84	3.02	1.64	-1.38
North	L119	0.80	0.74	-0.07	1.34	1.23	-0.11	5.41	4.49	-0.92	3.55	2.94	-0.61	3.04	2.52	-0.52	2.21	1.86	-0.35
North	L120	0.92	0.84	-0.08	1.53	1.40	-0.13	6.21	5.03	-1.18	4.08	3.29	-0.79	3.49	2.82	-0.67	2.52	2.07	-0.45
North	L121	1.15	1.01	-0.15	1.93	1.68	-0.24	6.74	5.04	-1.70	4.43	3.30	-1.12	3.80	2.84	-0.96	2.74	2.09	-0.65
North	L122	0.56	0.64	0.09	0.93	1.07	0.14	3.56	3.52	-0.04	2.34	2.31	-0.03	2.00	1.98	-0.02	1.43	1.45	0.02
North	L123	0.61	0.60	-0.01	1.01	1.00	-0.01	4.25	3.44	-0.81	2.78	2.25	-0.53	2.38	1.93	-0.45	1.68	1.39	-0.28
North	L124	1.01	0.82	-0.19	1.69	1.37	-0.32	7.53	4.87	-2.66	4.93	3.18	-1.74	4.20	2.73	-1.48	2.92	1.95	-0.98
North	L125	0.87	0.76	-0.11	1.45	1.26	-0.19	7.05	4.65	-2.40	4.60	3.04	-1.56	3.92	2.60	-1.32	2.69	1.84	-0.85
North	L126	1.84	1.63	-0.21	3.07	2.72	-0.35	15.67	10.95	-4.72	10.22	7.15	-3.07	8.71	6.11	-2.60	5.91	4.25	-1.65
North	L128	0.95	0.77	-0.18	1.59	1.28	-0.31	4.38	3.18	-1.20	2.88	2.10	-0.79	2.49	1.81	-0.68	1.87	1.38	-0.49
North	L129	1.03	0.78	-0.25	1.72	1.30	-0.42	4.22	2.99	-1.23	2.79	1.97	-0.81	2.41	1.71	-0.70	1.87	1.35	-0.53
North	L130	1.04	0.75	-0.29	1.74	1.26	-0.48	3.92	2.85	-1.07	2.60	1.89	-0.71	2.26	1.64	-0.62	1.83	1.35	-0.48
North	L131	0.87	0.78	-0.09	1.46	1.31	-0.15	2.58	2.31	-0.28	1.76	1.58	-0.19	1.61	1.44	-0.17	1.89	1.63	-0.26
North	L132	1.11	0.90	-0.20	1.85	1.51	-0.34	4.18	3.41	-0.77	2.77	2.26	-0.51	2.41	1.96	-0.45	1.95	1.62	-0.33
North	L133	0.92	0.75	-0.17	1.53	1.25	-0.28	3.71	2.85	-0.85	2.45	1.89	-0.57	2.12	1.63	-0.49	1.66	1.29	-0.37
North	L134	0.97	0.73	-0.23	1.61	1.23	-0.39	4.40	3.08	-1.32	2.90	2.03	-0.87	2.50	1.75	-0.76	1.90	1.34	-0.56
South	U0	1.21	0.96	-0.24	2.01	1.61	-0.40	4.89	3.85	-1.03	3.24	2.58	-0.66	2.81	2.26	-0.55	2.20	1.79	-0.41
South	U1	1.18	0.96	-0.22	1.96	1.60	-0.37	4.42	3.55	-0.87	2.94	2.38	-0.55	2.56	2.09	-0.47	2.08	1.72	-0.36
South	U2	1.01	0.84	-0.17	1.68	1.40	-0.29	3.73	3.00	-0.73	2.49	2.03	-0.46	2.18	1.78	-0.40	1.88	1.56	-0.32
South	U3	1.45	1.34	-0.11	2.43	2.24	-0.18	5.21	4.63	-0.58	3.51	3.17	-0.33	3.10	2.80	-0.30	2.99	2.74	-0.24
South	U4	1.44	1.27	-0.16	2.40	2.13	-0.27	5.30	4.69	-0.61	3.54	3.14	-0.40	3.10	2.75	-0.35	2.67	2.43	-0.24
South	U5	2.53	2.75	0.22	4.22	4.59	0.37	7.43	8.01	0.58	5.07	5.47	0.40	4.64	5.02	0.38	5.52	5.83	0.31
South	U6	1.14	0.91	-0.23	1.90	1.52	-0.38	4.27	3.41	-0.86	2.84	2.27	-0.57	2.47	1.97	-0.49	2.01	1.64	-0.37
South	U7	1.40	1.19	-0.21	2.33	1.99	-0.34	5.84	4.83	-1.01	3.86	3.20	-0.66	3.35	2.78	-0.57	2.63	2.23	-0.40
South	U8	1.05	0.87	-0.18	1.75	1.45	-0.30	4.79	3.87	-0.92	3.18	2.56	-0.62	2.77	2.22	-0.56	2.13	1.73	-0.41
South	U9	1.13	1.09	-0.05	1.89	1.81	-0.08	5.02	4.79	-0.24	3.35	3.22	-0.13	2.92	2.83	-0.09	2.41	2.27	-0.14
South	U10	0.98	1.04	0.06	1.64	1.74	0.10	5.13	4.16	-0.97	3.44	2.79	-0.65	3.04	2.46	-0.57	2.47	2.30	-0.17
South	U11	1.04	1.13	0.09	1.73	1.89	0.16	5.01	4.51	-0.50	3.30	3.01	-0.29	2.85	2.62	-0.23	2.15	2.03	-0.12
South	U12	0.99	1.03	0.04	1.65	1.72	0.07	4.46	4.03	-0.42	2.95	2.70	-0.25	2.55	2.35	-0.20	1.95	1.84	-0.11
South	U13	0.98	0.90	-0.09	1.64	1.50	-0.14	4.01	3.73	-0.28	2.65	2.50	-0.15	2.30	2.19	-0.11	1.81	1.75	-0.06
South	U14	1.19	1.16	-0.03	1.99	1.94	-0.05	5.88	5.64	-0.24	3.91	3.80	-0.11	3.40	3.35	-0.05	2.77	2.78	0.01
South	U15	2.05	2.41	0.36	3.42	4.02	0.60	6.03	7.01	0.99	4.11	4.79	0.68	3.76	4.40	0.63	4.48	5.11	0.62
South	U16	1.43	1.56	0.13	2.39	2.60	0.21	6.40	6.25	-0.15	4.25	4.15	-0.10	3.70	3.61	-0.09	3.01	3.01	0.00
South	U17	1.09	1.16	0.07	1.81	1.93	0.12	4.56	4.50	-0.06	3.02	2.99	-0.03	2.62	2.60	-0.02	2.06	2.09	0.03
South	U18	0.92	0.98	0.06	1.53	1.64	0.10	4.21	3.97	-0.25	2.79	2.63	-0.16	2.41	2.28	-0.13	1.85	1.79	-0.05

RATING FACTOR COMPARISON FROM 2010 (BASED ON 1996 AXIAL FORCES) TO 2012

GUSSET PLATE RATING FACTOR COMPARISON																			
Truss	Panel Point	HS-20 (INV.)			HS-20 (OPR.)			2F1			3F1			4F1			5C1		
		2010	2012	Change	2010	2012	Change	2010	2012	Change	2010	2012	Change	2010	2012	Change	2010	2012	Change
South	U19	1.06	1.19	0.13	1.77	1.99	0.22	5.15	4.77	-0.38	3.40	3.16	-0.24	2.93	2.74	-0.19	2.21	2.15	-0.06
South	U20	1.68	1.52	-0.16	2.81	2.54	-0.27	6.32	5.90	-0.43	4.20	3.94	-0.26	3.64	3.40	-0.25	2.90	2.71	-0.19
South	U21	1.19	0.95	-0.24	1.98	1.59	-0.39	4.45	3.66	-0.79	3.01	2.53	-0.47	2.66	2.19	-0.47	2.21	1.86	-0.34
South	U22	1.40	1.19	-0.21	2.33	1.99	-0.35	5.25	4.53	-0.72	3.49	3.04	-0.45	3.04	2.67	-0.37	2.47	2.18	-0.29
South	U23	1.10	0.93	-0.18	1.84	1.55	-0.29	4.08	3.33	-0.75	2.72	2.26	-0.47	2.38	1.97	-0.41	2.06	1.72	-0.33
South	U24	1.25	1.11	-0.14	2.09	1.86	-0.23	4.48	3.84	-0.64	3.02	2.63	-0.39	2.67	2.32	-0.35	2.57	2.26	-0.31
South	U25	2.76	2.78	0.02	4.61	4.64	0.03	8.11	8.08	-0.04	5.54	5.52	-0.02	5.07	5.06	0.00	6.04	5.92	-0.12
South	U26	2.64	2.22	-0.42	4.41	3.70	-0.71	8.85	7.59	-1.26	6.06	5.18	-0.89	5.48	4.64	-0.83	6.50	5.37	-1.14
South	U27	0.95	0.75	-0.20	1.59	1.25	-0.34	3.40	2.69	-0.71	2.29	1.81	-0.48	2.02	1.60	-0.43	1.92	1.52	-0.41
South	U28	0.86	0.65	-0.21	1.43	1.08	-0.35	3.17	2.40	-0.77	2.11	1.60	-0.51	1.85	1.40	-0.45	1.60	1.23	-0.37
South	U29	1.23	0.97	-0.25	2.05	1.62	-0.42	4.61	3.66	-0.95	3.06	2.43	-0.63	2.66	2.11	-0.55	2.17	1.74	-0.43
South	U30	0.94	0.99	0.05	1.56	1.65	0.08	4.78	4.01	-0.77	3.15	2.67	-0.48	2.71	2.32	-0.39	2.02	1.77	-0.24
South	U31	1.02	1.07	0.05	1.70	1.79	0.09	4.96	4.31	-0.65	3.27	2.88	-0.39	2.82	2.50	-0.32	2.13	1.93	-0.19
South	U32	0.94	0.98	0.04	1.58	1.64	0.07	4.34	3.91	-0.44	2.87	2.61	-0.26	2.48	2.27	-0.21	1.90	1.78	-0.12
South	U33	1.19	1.25	0.06	1.99	2.09	0.10	5.30	4.89	-0.41	3.50	3.27	-0.23	3.02	2.85	-0.17	2.32	2.23	-0.09
South	U34	1.37	1.43	0.06	2.29	2.39	0.10	5.70	5.80	0.10	3.79	3.91	0.12	3.30	3.46	0.16	2.68	2.87	0.19
South	U35	2.74	3.07	0.32	4.58	5.12	0.54	8.06	8.93	0.87	5.51	6.10	0.59	5.04	5.60	0.56	6.00	6.51	0.51
South	U36	1.04	0.88	-0.16	1.74	1.47	-0.27	4.19	3.31	-0.88	2.79	2.20	-0.58	2.42	1.92	-0.51	1.97	1.60	-0.38
South	U37	0.87	0.90	0.03	1.45	1.50	0.05	3.71	3.50	-0.21	2.46	2.32	-0.13	2.13	2.02	-0.11	1.67	1.62	-0.05
South	U38	0.89	0.92	0.03	1.49	1.54	0.05	4.16	3.78	-0.38	2.75	2.50	-0.25	2.38	2.17	-0.21	1.82	1.71	-0.11
South	U39	1.04	1.11	0.08	1.73	1.86	0.13	5.04	4.49	-0.55	3.32	2.97	-0.35	2.87	2.57	-0.29	2.16	2.02	-0.14
South	U40	1.21	1.00	-0.21	2.02	1.66	-0.36	4.95	3.96	-0.99	3.37	2.75	-0.61	2.97	2.39	-0.58	2.52	2.04	-0.47
South	U41	1.30	1.02	-0.28	2.18	1.71	-0.47	5.28	4.30	-0.98	3.49	2.87	-0.63	3.03	2.50	-0.53	2.38	1.95	-0.43
South	U42	1.12	0.88	-0.24	1.88	1.47	-0.40	4.22	3.37	-0.86	2.81	2.26	-0.54	2.44	1.98	-0.46	1.99	1.63	-0.36
South	U43	1.05	0.86	-0.19	1.75	1.44	-0.32	3.88	3.08	-0.80	2.59	2.09	-0.51	2.27	1.82	-0.44	1.96	1.59	-0.36
South	U44	1.13	1.04	-0.09	1.89	1.74	-0.15	4.05	3.59	-0.46	2.73	2.46	-0.27	2.41	2.18	-0.23	2.34	2.15	-0.19
South	U45	2.74	3.10	0.36	4.58	5.18	0.60	8.05	9.03	0.99	5.50	6.17	0.67	5.03	5.65	0.62	5.99	6.56	0.57
South	U46	1.01	0.94	-0.08	1.69	1.57	-0.13	3.63	3.37	-0.26	2.44	2.27	-0.18	2.16	2.00	-0.16	2.08	1.96	-0.12
South	U47	0.99	0.84	-0.14	1.65	1.41	-0.24	3.64	3.10	-0.53	2.43	2.07	-0.35	2.13	1.82	-0.31	1.84	1.60	-0.24
South	U48	1.40	1.19	-0.21	2.34	1.99	-0.35	5.25	4.64	-0.61	3.49	3.09	-0.41	3.04	2.69	-0.35	2.49	2.25	-0.24
South	U49	1.45	1.21	-0.24	2.42	2.02	-0.41	5.73	5.17	-0.56	3.80	3.41	-0.39	3.30	2.94	-0.36	2.62	2.37	-0.25
South	U50	0.76	0.93	0.17	1.27	1.55	0.28	4.30	3.94	-0.36	2.83	2.63	-0.20	2.44	2.31	-0.13	1.80	1.93	0.13
South	U51	0.85	1.06	0.21	1.42	1.76	0.34	4.65	5.11	0.46	3.06	3.36	0.30	2.64	2.90	0.26	1.96	2.23	0.27
South	U52	0.75	0.94	0.19	1.25	1.56	0.31	3.98	4.50	0.51	2.63	2.96	0.33	2.27	2.55	0.29	1.69	1.97	0.28
South	U53	0.71	0.90	0.18	1.19	1.50	0.31	3.57	4.14	0.57	2.36	2.73	0.37	2.04	2.36	0.32	1.54	1.84	0.30
South	U54	0.79	0.97	0.18	1.32	1.62	0.30	3.63	4.34	0.71	2.40	2.87	0.46	2.08	2.48	0.41	1.59	1.97	0.38
South	U55	1.44	1.72	0.29	2.40	2.88	0.48	7.85	9.67	1.82	5.15	6.35	1.19	4.43	5.45	1.02	3.31	4.13	0.82
South	U56	3.07	3.75	0.68	5.12	6.26	1.14	9.01	11.15	2.14	6.15	7.54	1.39	5.63	6.83	1.20	6.70	7.86	1.16
South	U57	1.05	1.21	0.16	1.76	2.02	0.26	5.13	5.27	0.14	3.40	3.49	0.09	2.94	3.02	0.08	2.30	2.42	0.12
South	U58	0.94	1.11	0.18	1.56	1.86	0.30	4.32	5.01	0.69	2.86	3.31	0.45	2.47	2.86	0.39	1.89	2.25	0.35
South	U59	0.76	0.93	0.18	1.26	1.56	0.30	3.80	4.39	0.59	2.51	2.90	0.39	2.17	2.51	0.34	1.64	1.96	0.32
South	U60	0.69	0.86	0.17	1.15	1.43	0.28	3.64	4.16	0.52	2.40	2.74	0.34	2.07	2.37	0.30	1.55	1.83	0.28
South	U61	0.83	1.04	0.21	1.39	1.74	0.35	4.56	5.00	0.43	3.01	3.30	0.29	2.59	2.85	0.26	1.93	2.22	0.29
South	U62	0.92	0.88	-0.04	1.53	1.46	-0.07	5.77	4.70	-1.07	3.80	3.08	-0.71	3.27	2.66	-0.62	2.41	2.05	-0.36
South	U63	1.12	0.88	-0.24	1.87	1.47	-0.40	4.51	3.76	-0.75	3.04	2.48	-0.56	2.69	2.17	-0.53	2.19	1.81	-0.38
South	U64	1.10	0.85	-0.24	1.83	1.42	-0.41	4.45	3.64	-0.80	2.95	2.41	-0.54	2.55	2.07	-0.49	2.00	1.64	-0.37
South	U65	1.01	0.88	-0.13	1.68	1.46	-0.22	4.08	3.39	-0.69	2.70	2.24	-0.46	2.34	1.93	-0.41	1.84	1.61	-0.23
South	U66	1.04	0.85	-0.18	1.73	1.43	-0.30	3.82	3.19	-0.63	2.55	2.11	-0.45	2.23	1.83	-0.41	1.93	1.61	-0.31

RATING FACTOR COMPARISON FROM 2010 (BASED ON 1996 AXIAL FORCES) TO 2012

GUSSET PLATE RATING FACTOR COMPARISON																			
Truss	Panel Point	HS-20 (INV.)			HS-20 (OPR.)			2F1			3F1			4F1			5C1		
		2010	2012	Change	2010	2012	Change	2010	2012	Change	2010	2012	Change	2010	2012	Change	2010	2012	Change
South	U67	1.77	1.62	-0.15	2.95	2.70	-0.25	6.32	5.90	-0.43	4.26	3.91	-0.35	3.77	3.42	-0.35	3.63	3.42	-0.21
South	U68	3.74	3.91	0.17	6.24	6.53	0.28	10.99	11.74	0.75	7.51	7.87	0.36	6.87	7.09	0.22	8.17	8.21	0.03
South	U69	1.22	1.05	-0.18	2.04	1.75	-0.29	4.38	3.77	-0.61	2.95	2.53	-0.42	2.61	2.20	-0.41	2.51	2.12	-0.39
South	U70	1.02	0.81	-0.21	1.70	1.35	-0.35	3.76	2.98	-0.78	2.51	1.99	-0.53	2.20	1.71	-0.48	1.90	1.50	-0.40
South	U71	1.34	1.08	-0.26	2.23	1.80	-0.44	5.03	4.05	-0.98	3.34	2.69	-0.66	2.91	2.32	-0.59	2.37	1.91	-0.45
South	U72	1.26	1.00	-0.25	2.10	1.67	-0.43	5.09	4.14	-0.95	3.37	2.74	-0.64	2.92	2.37	-0.55	2.29	1.87	-0.42
South	U73	1.28	1.01	-0.27	2.13	1.69	-0.44	5.14	4.22	-0.92	3.47	2.80	-0.67	3.07	2.44	-0.63	2.49	2.01	-0.48
South	U74	1.03	1.03	0.00	1.71	1.71	0.00	7.41	6.08	-1.34	4.86	4.00	-0.86	4.17	3.42	-0.76	2.98	2.51	-0.46
South	U75	0.62	0.53	-0.09	1.04	0.88	-0.16	4.33	3.08	-1.26	2.84	2.03	-0.82	2.44	1.73	-0.71	1.75	1.28	-0.47
South	U76	0.81	0.76	-0.05	1.35	1.27	-0.08	5.63	4.46	-1.17	3.69	2.94	-0.76	3.17	2.51	-0.66	2.27	1.85	-0.43
South	U77	0.93	0.90	-0.03	1.55	1.51	-0.05	6.06	5.19	-0.87	3.98	3.42	-0.57	3.42	2.92	-0.50	2.48	2.17	-0.31
South	U78	1.10	1.10	0.00	1.84	1.84	0.00	6.72	6.09	-0.63	4.42	4.01	-0.41	3.80	3.43	-0.37	2.77	2.55	-0.22
South	U79	1.06	1.04	-0.02	1.77	1.73	-0.04	5.79	5.48	-0.31	3.81	3.62	-0.20	3.28	3.09	-0.19	2.41	2.32	-0.09
South	U80	1.49	1.78	0.28	2.49	2.97	0.48	8.26	8.53	0.27	5.44	5.64	0.20	4.69	4.82	0.13	3.48	3.67	0.18
South	U81	0.71	0.79	0.08	1.18	1.32	0.14	4.82	5.25	0.43	3.16	3.44	0.27	2.71	2.94	0.23	1.96	2.16	0.20
South	U82	3.06	2.93	-0.13	5.10	4.89	-0.21	8.99	8.84	-0.15	6.14	5.92	-0.21	5.61	5.33	-0.28	6.69	6.14	-0.55
South	U83	0.85	0.82	-0.03	1.41	1.36	-0.05	5.80	5.21	-0.59	3.80	3.43	-0.37	3.26	2.96	-0.30	2.37	2.26	-0.11
South	U84	1.21	1.01	-0.19	2.01	1.69	-0.32	7.23	5.84	-1.40	4.77	3.84	-0.93	4.11	3.31	-0.80	3.05	2.49	-0.57
South	U85	1.12	0.85	-0.27	1.87	1.43	-0.44	6.15	4.80	-1.35	4.05	3.16	-0.89	3.48	2.72	-0.76	2.56	2.03	-0.53
South	U86	1.10	1.02	-0.08	1.84	1.70	-0.14	6.75	5.73	-1.02	4.44	3.77	-0.67	3.81	3.24	-0.57	2.78	2.40	-0.38
South	U87	0.79	0.96	0.18	1.31	1.60	0.29	5.25	5.06	-0.19	3.45	3.31	-0.14	2.96	2.84	-0.12	2.17	2.09	-0.08
South	U88	1.07	1.16	0.09	1.79	1.93	0.15	7.24	6.66	-0.57	4.75	4.38	-0.37	4.08	3.77	-0.31	2.94	2.79	-0.15
South	U89	1.02	1.17	0.15	1.70	1.95	0.25	7.11	6.44	-0.67	4.67	4.24	-0.43	4.00	3.65	-0.36	2.87	2.72	-0.15
South	U90	0.82	1.70	0.87	1.38	2.83	1.46	5.87	6.60	0.73	3.86	4.32	0.46	3.31	3.70	0.39	2.42	2.72	0.30
South	U91	3.14	3.45	0.32	5.23	5.76	0.53	11.27	12.48	1.22	7.58	8.24	0.66	6.69	7.20	0.51	6.26	7.00	0.74
South	U92	0.90	0.53	-0.37	1.51	0.89	-0.62	4.54	2.80	-1.74	2.99	1.83	-1.16	2.58	1.57	-1.01	1.92	1.17	-0.75
South	U93	1.21	0.87	-0.33	2.01	1.46	-0.56	4.89	3.74	-1.15	3.29	2.47	-0.82	2.90	2.15	-0.75	2.62	2.01	-0.61
South	U94	1.25	0.89	-0.36	2.08	1.48	-0.60	6.11	4.54	-1.57	4.06	3.00	-1.06	3.53	2.59	-0.94	2.69	1.99	-0.69
South	U95	1.16	0.80	-0.36	1.94	1.34	-0.60	5.51	3.95	-1.56	3.64	2.61	-1.02	3.14	2.23	-0.90	2.36	1.70	-0.66
South	U96	1.13	0.76	-0.37	1.89	1.27	-0.61	4.97	3.49	-1.48	3.29	2.31	-0.98	2.84	1.98	-0.86	2.18	1.53	-0.64
South	U97	1.13	0.78	-0.35	1.88	1.30	-0.58	4.51	3.22	-1.30	2.99	2.13	-0.86	2.59	1.83	-0.76	2.03	1.46	-0.58
South	U98	1.27	0.97	-0.30	2.12	1.62	-0.51	4.78	3.67	-1.11	3.18	2.44	-0.74	2.76	2.10	-0.67	2.25	1.73	-0.52
South	U99	1.43	0.98	-0.45	2.38	1.63	-0.75	5.73	4.08	-1.65	3.78	2.68	-1.10	3.26	2.30	-0.96	2.59	1.85	-0.75
South	U100	2.66	2.84	0.18	4.44	4.75	0.31	7.80	8.58	0.78	5.33	5.75	0.41	4.88	5.18	0.30	5.82	5.96	0.14
South	U101	1.43	0.98	-0.45	2.38	1.63	-0.75	5.73	4.08	-1.65	3.78	2.68	-1.10	3.26	2.30	-0.96	2.59	1.85	-0.75
South	U102	1.38	1.12	-0.26	2.30	1.87	-0.43	5.17	4.22	-0.95	3.43	2.80	-0.64	2.99	2.43	-0.56	2.43	2.00	-0.43
South	U103	1.13	0.86	-0.27	1.89	1.43	-0.46	4.53	3.42	-1.12	3.00	2.26	-0.75	2.60	1.96	-0.65	2.05	1.55	-0.49
South	U104	1.17	0.85	-0.32	1.95	1.42	-0.53	5.13	3.81	-1.31	3.39	2.52	-0.87	2.93	2.17	-0.76	2.25	1.68	-0.56
South	U105	1.11	0.81	-0.29	1.85	1.36	-0.49	5.26	3.98	-1.28	3.47	2.62	-0.85	2.99	2.26	-0.74	2.25	1.71	-0.54
South	U106	1.02	0.72	-0.30	1.70	1.20	-0.50	4.92	3.61	-1.31	3.27	2.40	-0.87	2.86	2.07	-0.78	2.19	1.61	-0.58
South	U107	1.28	1.00	-0.28	2.14	1.68	-0.47	5.38	4.34	-1.03	3.60	2.89	-0.72	3.17	2.51	-0.67	2.81	2.31	-0.50
South	U108	1.60	1.42	-0.18	2.67	2.37	-0.30	5.73	5.08	-0.65	3.86	3.37	-0.49	3.41	2.94	-0.48	3.20	2.80	-0.40
South	U109	2.84	3.11	0.27	4.75	5.20	0.45	10.99	11.33	0.34	7.37	7.52	0.15	6.49	6.53	0.04	5.89	5.49	-0.40
South	U110	0.46	0.36	-0.10	0.77	0.60	-0.16	2.80	1.99	-0.82	1.84	1.30	-0.54	1.58	1.11	-0.47	1.16	0.82	-0.34
South	U111	1.34	1.74	0.40	2.24	2.90	0.66	8.19	8.44	0.25	5.39	5.52	0.14	4.62	4.73	0.12	3.38	3.48	0.09
South	U112	1.33	1.42	0.10	2.21	2.37	0.16	8.77	8.12	-0.65	5.77	5.33	-0.44	4.96	4.59	-0.38	3.61	3.42	-0.20
South	U113	0.79	0.72	-0.06	1.31	1.20	-0.11	4.94	4.14	-0.80	3.25	2.71	-0.54	2.80	2.33	-0.47	2.06	1.74	-0.33
South	U114	1.43	1.40	-0.02	2.38	2.35	-0.04	8.69	8.27	-0.42	5.72	5.42	-0.31	4.93	4.67	-0.26	3.63	3.50	-0.13

RATING FACTOR COMPARISON FROM 2010 (BASED ON 1996 AXIAL FORCES) TO 2012

GUSSET PLATE RATING FACTOR COMPARISON																			
Truss	Panel Point	HS-20 (INV.)			HS-20 (OPR.)			2F1			3F1			4F1			5C1		
		2010	2012	Change	2010	2012	Change	2010	2012	Change	2010	2012	Change	2010	2012	Change	2010	2012	Change
South	U115	0.90	0.82	-0.08	1.51	1.38	-0.13	5.72	5.00	-0.72	3.77	3.27	-0.49	3.25	2.82	-0.43	2.40	2.11	-0.29
South	U116	1.10	1.91	0.81	1.84	3.19	1.34	8.28	13.16	4.88	5.46	8.64	3.19	4.70	7.42	2.72	3.48	5.59	2.11
South	U117	1.16	1.25	0.08	1.94	2.08	0.14	9.05	8.30	-0.75	5.96	5.45	-0.51	5.14	4.69	-0.45	3.82	3.57	-0.25
South	U118	3.82	4.22	0.40	6.38	7.05	0.66	11.24	12.51	1.27	7.68	8.47	0.79	7.03	7.66	0.64	8.35	8.80	0.45
South	U119	0.77	0.72	-0.05	1.28	1.20	-0.08	5.36	5.39	0.03	3.51	3.53	0.01	3.01	3.02	0.01	2.18	2.21	0.02
South	U120	1.78	4.87	3.10	2.97	8.14	5.17	9.51	21.19	11.68	6.27	13.87	7.60	5.40	11.98	6.59	4.00	9.15	5.16
South	U121	0.69	0.63	-0.06	1.15	1.04	-0.10	4.73	4.55	-0.18	3.11	2.98	-0.13	2.66	2.55	-0.11	1.93	1.86	-0.07
South	U122	0.86	0.94	0.08	1.43	1.57	0.14	5.19	5.55	0.36	3.42	3.65	0.23	2.95	3.14	0.19	2.18	2.35	0.18
South	U123	0.83	0.85	0.02	1.38	1.41	0.03	5.15	5.15	0.00	3.39	3.39	-0.01	2.92	2.92	-0.01	2.16	2.18	0.03
South	U124	1.18	1.20	0.02	1.96	2.00	0.04	7.48	7.34	-0.14	4.93	4.83	-0.10	4.25	4.16	-0.09	3.14	3.12	-0.02
South	U125	0.86	0.80	-0.07	1.44	1.33	-0.11	5.57	4.78	-0.79	3.67	3.14	-0.53	3.16	2.71	-0.45	2.34	2.04	-0.29
South	U126	0.68	0.53	-0.15	1.13	0.88	-0.25	4.37	3.17	-1.20	2.88	2.09	-0.79	2.49	1.80	-0.68	1.84	1.37	-0.47
South	U127	0.66	0.34	-0.32	1.10	0.56	-0.54	2.66	1.46	-1.20	1.77	0.97	-0.80	1.53	0.85	-0.68	1.20	0.61	-0.59
South	U128	0.58	0.29	-0.29	0.96	0.48	-0.48	2.39	1.21	-1.18	1.59	0.80	-0.78	1.38	0.71	-0.67	1.09	0.56	-0.53
South	U129	1.01	0.77	-0.24	1.69	1.29	-0.41	3.91	2.96	-0.95	2.60	1.97	-0.63	2.26	1.74	-0.53	1.81	1.40	-0.42
South	U130	1.44	1.19	-0.25	2.41	1.99	-0.42	5.35	4.43	-0.92	3.58	2.95	-0.63	3.13	2.60	-0.53	2.60	2.18	-0.42
South	U131	1.39	1.01	-0.38	2.33	1.69	-0.64	5.48	4.02	-1.46	3.62	2.66	-0.96	3.12	2.31	-0.81	2.48	1.84	-0.64
South	U132	1.72	1.44	-0.28	2.87	2.40	-0.47	6.43	5.42	-1.00	4.29	3.59	-0.69	3.74	3.16	-0.58	3.02	2.56	-0.46
South	U133	0.95	0.72	-0.23	1.58	1.20	-0.38	3.83	2.90	-0.93	2.53	1.92	-0.61	2.19	1.68	-0.51	1.71	1.32	-0.40
South	U134	0.53	0.74	0.22	0.88	1.24	0.36	2.29	3.13	0.84	1.51	2.07	0.55	1.31	1.81	0.51	1.00	1.42	0.42
South	U135	0.60	0.34	-0.26	1.00	0.57	-0.44	2.60	1.49	-1.11	1.72	0.98	-0.73	1.49	0.86	-0.62	1.14	0.66	-0.48
South	L1	0.98	0.76	-0.22	1.64	1.28	-0.36	3.97	3.07	-0.90	2.63	2.06	-0.57	2.28	1.80	-0.48	1.79	1.43	-0.36
South	L2	1.03	0.84	-0.20	1.72	1.40	-0.33	3.88	3.09	-0.79	2.58	2.08	-0.50	2.24	1.82	-0.42	1.83	1.49	-0.33
South	L3	0.94	0.77	-0.17	1.57	1.28	-0.29	3.47	2.75	-0.72	2.32	1.86	-0.46	2.03	1.63	-0.40	1.75	1.43	-0.32
South	L4	1.45	1.28	-0.17	2.43	2.13	-0.29	5.21	4.63	-0.58	3.51	3.17	-0.33	3.10	2.73	-0.37	2.58	2.24	-0.35
South	L5	0.90	0.77	-0.12	1.50	1.29	-0.20	2.63	2.25	-0.38	1.80	1.54	-0.26	1.64	1.41	-0.23	1.96	1.64	-0.32
South	L6	1.08	0.86	-0.22	1.80	1.44	-0.36	4.37	3.49	-0.88	2.90	2.31	-0.58	2.51	2.01	-0.50	1.97	1.61	-0.36
South	L7	1.12	0.87	-0.25	1.86	1.45	-0.42	4.91	3.87	-1.04	3.25	2.56	-0.69	2.81	2.22	-0.59	2.15	1.73	-0.42
South	L8	1.05	0.81	-0.24	1.75	1.35	-0.39	4.79	3.72	-1.07	3.18	2.48	-0.71	2.77	2.16	-0.61	2.13	1.70	-0.44
South	L9	1.13	0.90	-0.23	1.89	1.50	-0.39	5.02	4.01	-1.01	3.35	2.67	-0.68	2.92	2.34	-0.59	2.41	1.98	-0.43
South	L10	0.98	0.79	-0.19	1.64	1.31	-0.32	5.93	4.18	-1.75	3.90	2.77	-1.13	3.36	2.38	-0.98	2.47	1.78	-0.69
South	L11	1.22	1.35	0.12	2.04	2.25	0.20	6.24	5.53	-0.71	4.11	3.68	-0.43	3.54	3.20	-0.34	2.63	2.44	-0.20
South	L12	0.94	0.99	0.04	1.57	1.65	0.07	4.56	3.96	-0.60	3.01	2.64	-0.37	2.59	2.30	-0.29	1.95	1.77	-0.18
South	L13	0.94	0.98	0.04	1.57	1.63	0.06	4.25	3.82	-0.43	2.81	2.55	-0.25	2.43	2.23	-0.20	1.86	1.74	-0.12
South	L14	0.93	0.84	-0.09	1.55	1.41	-0.15	3.79	3.51	-0.29	2.51	2.35	-0.16	2.18	2.06	-0.12	1.71	1.65	-0.06
South	L15	1.12	1.04	-0.08	1.87	1.73	-0.14	3.29	3.02	-0.27	2.25	2.06	-0.19	2.05	1.89	-0.16	2.45	2.20	-0.25
South	L16	1.04	1.11	0.07	1.73	1.85	0.11	4.36	4.30	-0.06	2.89	2.85	-0.03	2.50	2.48	-0.03	1.97	1.99	0.02
South	L17	0.96	1.03	0.07	1.61	1.72	0.12	4.42	4.18	-0.24	2.92	2.77	-0.15	2.52	2.40	-0.13	1.93	1.89	-0.05
South	L18	0.81	0.85	0.03	1.35	1.41	0.06	3.89	3.43	-0.47	2.57	2.27	-0.30	2.22	1.96	-0.26	1.67	1.52	-0.15
South	L19	1.07	1.23	0.16	1.79	2.06	0.27	5.47	4.93	-0.53	3.60	3.26	-0.34	3.10	2.82	-0.28	2.31	2.20	-0.11
South	L20	0.96	0.81	-0.16	1.61	1.35	-0.26	5.73	4.03	-1.69	3.77	2.67	-1.10	3.24	2.30	-0.95	2.39	1.74	-0.64
South	L21	1.65	1.47	-0.19	2.76	2.45	-0.31	6.38	5.76	-0.62	4.27	3.91	-0.36	3.74	3.41	-0.33	3.22	3.01	-0.21
South	L22	0.96	0.76	-0.21	1.61	1.26	-0.35	3.81	3.07	-0.74	2.54	2.08	-0.46	2.22	1.82	-0.40	1.77	1.47	-0.31
South	L23	1.11	0.90	-0.20	1.84	1.51	-0.34	4.15	3.44	-0.71	2.76	2.31	-0.45	2.40	2.02	-0.38	1.95	1.65	-0.30
South	L24	1.05	0.90	-0.15	1.76	1.51	-0.25	3.89	3.24	-0.66	2.60	2.19	-0.41	2.27	1.92	-0.36	1.96	1.68	-0.29
South	L25	0.90	0.78	-0.12	1.50	1.30	-0.20	2.64	2.27	-0.38	1.80	1.55	-0.25	1.65	1.42	-0.23	1.97	1.66	-0.31
South	L26	1.03	0.82	-0.21	1.71	1.36	-0.35	3.68	2.94	-0.74	2.48	1.98	-0.50	2.19	1.75	-0.44	2.08	1.66	-0.42
South	L27	1.01	0.78	-0.22	1.68	1.31	-0.37	3.72	2.90	-0.82	2.48	1.93	-0.55	2.17	1.69	-0.48	1.87	1.49	-0.39

RATING FACTOR COMPARISON FROM 2010 (BASED ON 1996 AXIAL FORCES) TO 2012

GUSSET PLATE RATING FACTOR COMPARISON																			
Truss	Panel Point	HS-20 (INV.)			HS-20 (OPR.)			2F1			3F1			4F1			5C1		
		2010	2012	Change	2010	2012	Change	2010	2012	Change	2010	2012	Change	2010	2012	Change	2010	2012	Change
South	L28	1.23	0.97	-0.25	2.05	1.62	-0.42	4.61	3.66	-0.95	3.06	2.43	-0.63	2.66	2.11	-0.55	2.17	1.74	-0.43
South	L29	1.44	1.17	-0.27	2.40	1.95	-0.45	5.32	4.39	-0.93	3.61	2.98	-0.63	3.19	2.65	-0.54	2.69	2.24	-0.45
South	L30	1.71	1.50	-0.21	2.85	2.50	-0.35	10.26	8.23	-2.02	6.75	5.47	-1.28	5.81	4.69	-1.12	4.27	3.52	-0.75
South	L31	1.11	1.19	0.09	1.85	1.99	0.14	5.65	4.85	-0.80	3.72	3.23	-0.49	3.21	2.81	-0.39	2.38	2.15	-0.24
South	L32	0.97	1.02	0.04	1.62	1.70	0.07	4.72	4.08	-0.64	3.12	2.72	-0.39	2.69	2.37	-0.32	2.02	1.83	-0.20
South	L33	0.94	0.98	0.04	1.58	1.64	0.07	4.34	3.91	-0.44	2.87	2.61	-0.26	2.48	2.27	-0.21	1.90	1.78	-0.12
South	L34	0.96	1.02	0.06	1.60	1.70	0.10	4.29	4.05	-0.24	2.84	2.71	-0.13	2.46	2.38	-0.08	1.93	1.91	-0.02
South	L35	1.04	0.88	-0.16	1.74	1.47	-0.27	3.28	3.00	-0.27	2.24	2.05	-0.19	2.05	1.88	-0.17	1.97	1.60	-0.38
South	L36	0.87	0.90	0.03	1.45	1.50	0.05	3.71	3.50	-0.21	2.46	2.32	-0.13	2.13	2.02	-0.11	1.67	1.62	-0.05
South	L37	0.94	0.97	0.04	1.56	1.62	0.06	4.36	3.99	-0.37	2.88	2.64	-0.24	2.49	2.29	-0.20	1.91	1.81	-0.11
South	L38	1.04	1.09	0.05	1.73	1.81	0.09	5.03	4.45	-0.59	3.32	2.94	-0.38	2.86	2.55	-0.32	2.16	1.98	-0.18
South	L39	1.09	1.21	0.12	1.82	2.02	0.20	5.58	4.79	-0.78	3.68	3.18	-0.50	3.17	2.76	-0.41	2.35	2.18	-0.18
South	L40	1.78	1.49	-0.29	2.97	2.48	-0.48	10.35	7.98	-2.36	6.81	5.29	-1.52	5.86	4.56	-1.30	4.31	3.49	-0.82
South	L41	1.39	1.10	-0.29	2.32	1.83	-0.49	5.36	4.35	-1.00	3.64	3.03	-0.62	3.22	2.63	-0.59	2.72	2.25	-0.48
South	L42	1.22	0.94	-0.28	2.03	1.57	-0.46	4.92	3.94	-0.97	3.26	2.63	-0.63	2.82	2.30	-0.53	2.22	1.79	-0.43
South	L43	1.11	0.88	-0.23	1.85	1.46	-0.39	4.17	3.36	-0.81	2.77	2.26	-0.51	2.41	1.98	-0.43	1.96	1.62	-0.34
South	L44	1.05	0.86	-0.19	1.75	1.44	-0.32	3.88	3.08	-0.80	2.59	2.09	-0.51	2.27	1.82	-0.44	1.96	1.59	-0.36
South	L45	1.01	0.94	-0.08	1.69	1.57	-0.13	3.29	3.04	-0.25	2.25	2.07	-0.17	2.06	1.90	-0.16	2.08	1.96	-0.12
South	L46	0.99	0.84	-0.14	1.65	1.41	-0.24	3.64	3.10	-0.53	2.43	2.07	-0.35	2.13	1.82	-0.31	1.84	1.60	-0.24
South	L47	1.04	0.86	-0.18	1.74	1.44	-0.30	3.90	3.33	-0.56	2.59	2.22	-0.38	2.26	1.93	-0.33	1.85	1.62	-0.23
South	L48	1.82	1.56	-0.26	3.04	2.61	-0.43	7.17	6.68	-0.49	4.76	4.41	-0.35	4.13	3.80	-0.33	3.28	3.06	-0.22
South	L49	1.23	1.03	-0.20	2.05	1.72	-0.33	4.79	4.36	-0.43	3.25	2.92	-0.33	2.87	2.56	-0.31	2.37	2.14	-0.23
South	L50	1.70	1.64	-0.06	2.84	2.74	-0.10	11.10	10.38	-0.73	7.32	6.83	-0.49	6.31	5.87	-0.43	4.65	4.43	-0.22
South	L51	0.82	1.01	0.20	1.36	1.69	0.33	4.61	4.88	0.27	3.04	3.21	0.17	2.62	2.77	0.16	1.94	2.12	0.19
South	L52	0.75	0.93	0.18	1.26	1.55	0.29	4.12	4.49	0.38	2.71	2.96	0.25	2.34	2.55	0.22	1.74	1.96	0.23
South	L53	0.71	0.88	0.17	1.18	1.47	0.29	3.75	4.22	0.47	2.47	2.78	0.31	2.13	2.40	0.26	1.59	1.85	0.26
South	L54	0.71	0.90	0.18	1.19	1.50	0.31	3.57	4.14	0.57	2.36	2.73	0.37	2.04	2.36	0.32	1.54	1.84	0.30
South	L55	0.79	0.97	0.18	1.32	1.62	0.30	3.63	4.34	0.71	2.40	2.87	0.46	2.08	2.48	0.41	1.59	1.97	0.38
South	L56	0.91	1.04	0.13	1.51	1.73	0.22	3.65	4.00	0.36	2.49	2.71	0.22	2.28	2.45	0.18	1.98	2.08	0.10
South	L57	0.78	0.93	0.15	1.31	1.55	0.25	3.62	4.19	0.58	2.39	2.77	0.38	2.07	2.39	0.33	1.58	1.88	0.29
South	L58	0.76	0.93	0.18	1.26	1.56	0.30	3.80	4.39	0.59	2.51	2.90	0.39	2.17	2.51	0.34	1.64	1.96	0.32
South	L59	0.69	0.86	0.17	1.15	1.43	0.28	3.64	4.16	0.52	2.40	2.74	0.34	2.07	2.37	0.30	1.55	1.83	0.28
South	L60	0.83	1.04	0.21	1.39	1.74	0.35	4.56	5.00	0.43	3.01	3.30	0.29	2.59	2.85	0.26	1.93	2.22	0.29
South	L61	0.86	1.12	0.26	1.44	1.87	0.43	4.87	5.31	0.44	3.21	3.51	0.30	2.76	3.03	0.27	2.04	2.38	0.34
South	L62	1.22	0.90	-0.31	2.03	1.51	-0.52	7.65	4.85	-2.81	5.04	3.18	-1.86	4.34	2.74	-1.60	3.20	2.11	-1.08
South	L63	2.39	2.26	-0.13	3.99	3.78	-0.22	9.57	8.77	-0.80	6.46	5.79	-0.67	5.70	5.06	-0.64	4.86	4.81	-0.05
South	L64	1.40	1.15	-0.25	2.34	1.92	-0.42	5.63	4.91	-0.72	3.80	3.24	-0.56	3.36	2.83	-0.53	2.74	2.36	-0.38
South	L65	1.10	0.85	-0.24	1.83	1.42	-0.41	4.45	3.64	-0.80	2.95	2.41	-0.54	2.55	2.07	-0.49	2.00	1.64	-0.37
South	L66	1.04	0.83	-0.21	1.74	1.38	-0.35	3.91	3.21	-0.70	2.60	2.12	-0.47	2.26	1.83	-0.43	1.84	1.53	-0.31
South	L67	1.04	0.85	-0.18	1.73	1.43	-0.30	3.82	3.19	-0.63	2.55	2.11	-0.45	2.23	1.83	-0.41	1.93	1.61	-0.31
South	L68	1.44	1.25	-0.19	2.40	2.09	-0.32	4.74	4.39	-0.36	3.24	2.94	-0.30	2.96	2.62	-0.34	2.96	2.53	-0.43
South	L69	1.02	0.81	-0.21	1.70	1.35	-0.35	3.76	2.98	-0.78	2.51	1.99	-0.53	2.20	1.71	-0.48	1.90	1.50	-0.40
South	L70	1.03	0.81	-0.22	1.72	1.35	-0.37	3.86	3.04	-0.82	2.57	2.02	-0.55	2.23	1.74	-0.49	1.82	1.44	-0.38
South	L71	1.26	1.00	-0.25	2.10	1.67	-0.43	5.09	4.14	-0.95	3.37	2.74	-0.64	2.92	2.37	-0.55	2.29	1.87	-0.42
South	L72	1.19	0.92	-0.26	1.98	1.54	-0.44	4.77	3.85	-0.92	3.22	2.55	-0.67	2.84	2.22	-0.62	2.31	1.84	-0.47
South	L73	2.25	2.13	-0.12	3.76	3.55	-0.20	8.78	8.52	-0.26	5.89	5.65	-0.24	5.17	4.93	-0.24	4.57	4.48	-0.10
South	L74	1.16	1.10	-0.06	1.94	1.84	-0.10	9.25	6.82	-2.43	6.07	4.47	-1.60	5.21	3.83	-1.38	3.71	2.80	-0.91
South	L75	0.73	0.67	-0.06	1.21	1.12	-0.09	5.24	3.97	-1.27	3.44	2.61	-0.82	2.95	2.23	-0.72	2.10	1.64	-0.46

RATING FACTOR COMPARISON FROM 2010 (BASED ON 1996 AXIAL FORCES) TO 2012

GUSSET PLATE RATING FACTOR COMPARISON																			
Truss	Panel Point	HS-20 (INV.)			HS-20 (OPR.)			2F1			3F1			4F1			5C1		
		2010	2012	Change	2010	2012	Change	2010	2012	Change	2010	2012	Change	2010	2012	Change	2010	2012	Change
South	L76	1.02	1.00	-0.03	1.71	1.66	-0.05	7.15	5.81	-1.34	4.69	3.82	-0.87	4.03	3.27	-0.76	2.88	2.41	-0.48
South	L77	0.95	0.97	0.02	1.59	1.62	0.03	6.35	5.57	-0.78	4.17	3.67	-0.50	3.58	3.14	-0.45	2.58	2.31	-0.27
South	L78	0.99	0.98	-0.02	1.66	1.63	-0.03	6.47	5.61	-0.86	4.25	3.69	-0.56	3.65	3.16	-0.49	2.64	2.34	-0.30
South	L79	1.10	1.10	0.00	1.84	1.84	0.00	6.72	6.09	-0.63	4.42	4.01	-0.41	3.80	3.43	-0.37	2.77	2.55	-0.22
South	L80	1.02	0.99	-0.03	1.69	1.65	-0.04	5.55	5.23	-0.32	3.65	3.45	-0.20	3.14	2.95	-0.19	2.31	2.22	-0.09
South	L81	1.23	1.26	0.03	2.06	2.11	0.05	8.26	8.34	0.08	5.44	5.46	0.02	4.69	4.68	-0.01	3.43	3.44	0.00
South	L82	0.98	0.89	-0.09	1.63	1.49	-0.14	4.73	4.55	-0.18	3.23	3.05	-0.18	2.96	2.75	-0.21	2.89	2.26	-0.64
South	L83	0.95	0.80	-0.15	1.59	1.33	-0.26	6.67	5.03	-1.64	4.40	3.31	-1.09	3.79	2.85	-0.94	2.82	2.14	-0.68
South	L84	0.99	0.78	-0.21	1.66	1.31	-0.35	6.15	4.72	-1.43	4.05	3.10	-0.94	3.48	2.67	-0.81	2.56	1.99	-0.57
South	L85	0.96	0.86	-0.10	1.61	1.44	-0.17	5.90	4.84	-1.06	3.88	3.18	-0.70	3.33	2.74	-0.59	2.43	2.03	-0.40
South	L86	1.04	1.04	-0.01	1.74	1.73	-0.01	6.79	5.99	-0.80	4.46	3.94	-0.52	3.83	3.39	-0.44	2.78	2.51	-0.27
South	L87	1.04	1.12	0.08	1.73	1.87	0.14	7.02	6.44	-0.58	4.61	4.23	-0.37	3.96	3.64	-0.32	2.85	2.70	-0.15
South	L88	1.03	1.10	0.07	1.72	1.84	0.12	7.16	6.26	-0.89	4.70	4.12	-0.58	4.03	3.55	-0.48	2.89	2.63	-0.26
South	L89	1.38	2.12	0.74	2.30	3.54	1.23	9.84	11.06	1.22	6.47	7.23	0.77	5.54	6.20	0.66	4.06	4.56	0.51
South	L90	1.14	1.86	0.72	1.90	3.10	1.20	7.00	7.21	0.20	4.62	4.72	0.10	3.96	4.05	0.09	2.94	3.01	0.07
South	L91	2.06	2.37	0.31	3.43	3.95	0.52	10.92	9.94	-0.98	7.20	6.51	-0.70	6.22	5.59	-0.62	4.66	4.20	-0.45
South	L92	2.54	2.48	-0.07	4.24	4.13	-0.11	9.13	9.23	0.10	6.14	6.10	-0.04	5.42	5.28	-0.14	5.07	4.65	-0.42
South	L93	1.53	1.26	-0.27	2.56	2.11	-0.45	6.37	5.49	-0.88	4.25	3.62	-0.63	3.71	3.14	-0.58	3.16	2.73	-0.43
South	L94	1.00	0.69	-0.32	1.67	1.14	-0.53	4.89	3.59	-1.31	3.29	2.37	-0.92	2.90	2.04	-0.86	2.25	1.62	-0.63
South	L95	1.04	0.69	-0.35	1.73	1.15	-0.58	5.06	3.53	-1.53	3.36	2.33	-1.03	2.93	2.01	-0.91	2.23	1.55	-0.68
South	L96	1.26	0.89	-0.37	2.10	1.48	-0.61	5.97	4.39	-1.57	3.94	2.90	-1.03	3.40	2.48	-0.92	2.56	1.89	-0.67
South	L97	1.13	0.76	-0.36	1.88	1.27	-0.61	4.96	3.49	-1.47	3.28	2.31	-0.97	2.83	1.98	-0.86	2.17	1.53	-0.64
South	L98	1.12	0.78	-0.34	1.86	1.30	-0.56	4.47	3.22	-1.25	2.96	2.13	-0.83	2.57	1.83	-0.74	2.02	1.46	-0.56
South	L99	1.07	0.82	-0.26	1.79	1.36	-0.43	4.03	3.09	-0.94	2.68	2.05	-0.62	2.33	1.76	-0.56	1.90	1.46	-0.44
South	L100	1.18	1.00	-0.19	1.97	1.66	-0.31	3.47	3.00	-0.46	2.37	2.01	-0.36	2.17	1.81	-0.36	2.59	2.08	-0.50
South	L101	1.29	1.04	-0.25	2.16	1.74	-0.42	4.86	3.93	-0.93	3.23	2.60	-0.62	2.81	2.26	-0.55	2.29	1.87	-0.42
South	L102	1.13	0.86	-0.27	1.89	1.43	-0.46	4.53	3.42	-1.12	3.00	2.26	-0.75	2.60	1.96	-0.65	2.05	1.55	-0.49
South	L103	1.06	0.76	-0.31	1.78	1.26	-0.51	4.68	3.40	-1.28	3.09	2.24	-0.85	2.68	1.93	-0.74	2.05	1.50	-0.55
South	L104	1.02	0.73	-0.29	1.70	1.21	-0.48	4.83	3.55	-1.28	3.19	2.34	-0.85	2.75	2.01	-0.74	2.07	1.53	-0.54
South	L105	1.02	0.72	-0.30	1.70	1.20	-0.50	4.92	3.61	-1.31	3.27	2.40	-0.87	2.86	2.07	-0.78	2.19	1.61	-0.58
South	L106	1.07	0.79	-0.28	1.78	1.32	-0.47	4.76	3.74	-1.03	3.19	2.48	-0.71	2.81	2.15	-0.66	2.40	1.85	-0.55
South	L107	1.40	1.12	-0.28	2.34	1.88	-0.47	5.03	4.39	-0.64	3.39	2.91	-0.48	2.99	2.54	-0.46	2.81	2.42	-0.39
South	L108	2.05	1.96	-0.09	3.42	3.28	-0.15	7.57	7.24	-0.33	5.05	4.82	-0.23	4.42	4.16	-0.26	3.81	3.65	-0.16
South	L109	2.07	2.40	0.33	3.45	4.00	0.55	10.99	10.31	-0.67	7.25	6.77	-0.48	6.26	5.81	-0.45	4.69	4.36	-0.32
South	L110	1.37	2.64	1.28	2.29	4.41	2.13	7.98	13.26	5.29	5.26	8.69	3.42	4.52	7.47	2.95	3.34	5.57	2.22
South	L111	1.71	1.86	0.15	2.85	3.10	0.25	11.07	9.58	-1.48	7.28	6.30	-0.98	6.24	5.43	-0.81	4.57	4.38	-0.19
South	L112	1.18	1.24	0.07	1.96	2.07	0.11	7.78	7.09	-0.68	5.12	4.65	-0.46	4.40	4.01	-0.39	3.20	2.99	-0.22
South	L113	1.79	1.84	0.05	2.99	3.07	0.08	11.66	10.77	-0.89	7.67	7.06	-0.61	6.60	6.07	-0.52	4.83	4.51	-0.33
South	L114	1.31	1.33	0.01	2.19	2.22	0.02	8.27	7.62	-0.65	5.45	4.99	-0.46	4.69	4.30	-0.40	3.45	3.20	-0.26
South	L115	1.53	1.50	-0.03	2.55	2.50	-0.05	9.02	8.53	-0.49	5.94	5.59	-0.35	5.12	4.81	-0.31	3.78	3.61	-0.17
South	L116	1.09	0.98	-0.11	1.82	1.64	-0.18	7.50	6.91	-0.59	4.93	4.53	-0.40	4.22	3.90	-0.32	3.06	2.93	-0.13
South	L117	1.44	1.56	0.12	2.41	2.61	0.20	11.22	10.97	-0.25	7.39	7.20	-0.19	6.37	6.19	-0.19	4.73	4.66	-0.08
South	L118	1.07	1.30	0.23	1.79	2.17	0.38	6.32	7.13	0.81	4.32	4.83	0.51	3.95	4.25	0.30	3.89	3.26	-0.63
South	L119	1.14	1.04	-0.10	1.91	1.73	-0.17	7.97	7.74	-0.23	5.23	5.07	-0.16	4.48	4.34	-0.14	3.25	3.16	-0.08
South	L120	1.25	1.16	-0.09	2.09	1.94	-0.15	8.63	8.43	-0.20	5.67	5.51	-0.16	4.86	4.72	-0.13	3.52	3.44	-0.08
South	L121	1.48	1.63	0.15	2.47	2.73	0.25	8.51	9.71	1.20	5.61	6.37	0.77	4.83	5.49	0.65	3.57	4.10	0.53
South	L122	0.76	1.18	0.43	1.26	1.98	0.71	4.59	7.21	2.61	3.03	4.74	1.71	2.61	4.08	1.47	1.93	3.06	1.13
South	L123	1.29	1.71	0.42	2.16	2.85	0.70	8.22	10.46	2.24	5.42	6.88	1.46	4.67	5.93	1.26	3.45	4.45	1.00

RATING FACTOR COMPARISON FROM 2010 (BASED ON 1996 AXIAL FORCES) TO 2012

GUSSET PLATE RATING FACTOR COMPARISON																			
Truss	Panel Point	HS-20 (INV.)			HS-20 (OPR.)			2F1			3F1			4F1			5C1		
		2010	2012	Change	2010	2012	Change	2010	2012	Change	2010	2012	Change	2010	2012	Change	2010	2012	Change
South	L124	1.27	1.32	0.05	2.11	2.20	0.09	8.12	7.85	-0.27	5.35	5.17	-0.19	4.62	4.46	-0.16	3.41	3.36	-0.05
South	L125	1.09	1.20	0.11	1.83	2.00	0.18	7.08	7.00	-0.07	4.66	4.61	-0.05	4.02	3.98	-0.04	2.97	3.03	0.05
South	L126	0.86	0.73	-0.13	1.44	1.22	-0.22	5.39	3.88	-1.51	3.56	2.50	-1.06	3.07	2.17	-0.90	2.27	1.61	-0.66
South	L128	0.97	0.66	-0.31	1.62	1.11	-0.51	4.04	2.78	-1.25	2.68	1.85	-0.83	2.33	1.63	-0.69	1.83	1.28	-0.55
South	L129	1.01	0.75	-0.27	1.69	1.25	-0.45	3.91	2.88	-1.04	2.60	1.91	-0.69	2.26	1.69	-0.57	1.81	1.36	-0.46
South	L130	0.98	0.75	-0.23	1.64	1.26	-0.38	3.67	2.81	-0.86	2.44	1.87	-0.57	2.13	1.65	-0.48	1.77	1.38	-0.39
South	L131	1.34	0.73	-0.61	2.24	1.22	-1.02	4.92	2.15	-2.76	3.29	1.47	-1.82	2.89	1.35	-1.53	2.55	1.52	-1.03
South	L132	1.10	0.84	-0.26	1.84	1.41	-0.43	4.16	3.18	-0.98	2.76	2.11	-0.65	2.40	1.85	-0.55	1.94	1.50	-0.44
South	L133	0.95	0.72	-0.23	1.58	1.20	-0.38	3.83	2.90	-0.93	2.53	1.92	-0.61	2.19	1.68	-0.51	1.71	1.32	-0.40
South	L134	0.88	0.61	-0.28	1.47	1.01	-0.46	3.82	2.66	-1.16	2.53	1.76	-0.77	2.19	1.55	-0.64	1.68	1.18	-0.49

2010 MEMBER FORCES

NORTH TRUSS

2010 NORTH TRUSS FORCES BASED ON 1996 LOAD RATING ANALYSIS FORCES

TRUSS MEMBER ENVELOPE FORCES TRANSFERRED TO GUSSET PLATE (KIPS)											
Member	Dead	2F1		3F1		4F1		5C1		(HS20-44)	
		Compr.	Tens.	Compr.	Tens.	Compr.	Tens.	Compr.	Tens.	Compr.	Tens.
10003	-379.76	-75.71	0.05	-114.53	0.05	-132.44	0.05	-172.85	0.05	-183.00	0.05
10004	452.00	0.05	91.90	0.05	138.70	0.05	160.00	0.05	203.80	0.05	223.00
10005	-273.50	-55.30	0.05	-83.50	0.05	-96.30	0.05	-122.70	0.05	-125.90	0.05
10011	-273.50	-55.30	0.05	-83.50	0.05	-96.30	0.05	-122.70	0.05	-125.90	0.05
10013	-427.00	-87.90	0.05	-132.80	0.05	-153.20	0.05	-195.10	0.05	-213.50	0.05
10014	432.10	0.05	100.50	0.05	151.20	0.05	173.80	0.05	213.50	0.05	226.10
10015	-571.40	-114.70	0.05	-172.70	0.05	-199.30	0.05	-250.30	0.05	-258.30	0.05
10021	-371.17	-74.51	0.05	-112.18	0.05	-129.46	0.05	-162.59	0.05	-167.78	0.05
10023	-335.50	-81.30	1.60	-122.30	2.20	-140.60	2.20	-172.70	1.90	-182.90	0.05
10024	336.80	-5.40	97.70	-7.80	146.30	-8.70	167.20	-7.30	193.90	0.05	216.20
10025	-574.65	-114.40	0.05	-172.61	0.05	-200.05	0.05	-248.02	0.05	-256.79	0.05
10031	-825.30	-164.30	0.05	-247.90	0.05	-287.30	0.05	-356.20	0.05	-368.80	0.05
10033	-204.50	-66.60	11.20	-99.70	16.40	-114.00	18.10	-132.20	15.30	-147.30	0.05
10034	153.00	-28.40	81.20	-42.20	120.60	-47.80	136.40	-49.60	141.60	0.05	174.30
10035	-947.60	-188.60	0.05	-284.50	0.05	-329.70	0.05	-408.80	0.05	-423.30	0.05
10041	-386.78	-76.98	0.05	-116.12	0.05	-134.57	0.05	-166.86	0.05	-172.78	0.05
10043	-6.30	-38.80	33.10	-57.60	49.20	-65.20	55.70	-67.70	57.80	-83.30	0.05
10044	-178.00	-75.00	41.90	-112.40	61.00	-128.40	67.60	-148.90	56.90	-166.00	0.05
10045	-347.69	-69.93	0.05	-105.25	0.05	-121.43	0.05	-152.53	0.05	-157.41	0.05
10051	-806.00	-162.10	0.05	-244.00	0.05	-281.50	0.05	-353.60	0.05	-364.90	0.05
10053	-108.00	-73.10	0.10	-107.10	0.10	-117.00	0.10	-98.30	0.10	-128.70	0.05
10055	-806.00	-162.10	0.05	-244.00	0.05	-281.50	0.05	-353.60	0.05	-364.90	0.05
10061	-415.36	-83.54	0.05	-125.74	0.05	-145.07	0.05	-182.22	0.05	-188.05	0.05
10062	426.80	-13.10	105.30	-17.90	158.50	-18.20	182.20	-16.00	223.80	0.05	237.10
10063	-367.40	-76.30	0.05	-115.20	0.05	-132.90	0.05	-169.30	0.05	-185.30	0.05
10065	-251.19	-50.97	0.05	-76.88	0.05	-88.73	0.05	-113.02	0.05	-115.95	0.05
10071	-462.30	-93.80	0.05	-141.50	0.05	-163.30	0.05	-208.00	0.05	-213.40	0.05
10072	400.51	0.05	81.53	0.05	123.12	0.05	142.06	0.05	180.90	0.05	197.92
10073	-473.70	-85.80	0.05	-129.80	0.05	-150.10	0.05	-195.90	0.05	-226.10	0.05
10075	0.05	0.05	0.05	0.05	0.05	0.05	0.05	0.05	0.05	0.05	0.05
10081	0.05	0.05	0.05	0.05	0.05	0.05	0.05	0.05	0.05	0.05	0.05
10082	561.70	0.05	99.70	0.05	150.90	0.05	174.60	0.05	227.80	0.05	262.90
10083	-495.80	-84.80	0.05	-127.50	0.05	-146.40	0.05	-190.10	0.05	-232.30	0.05
10085	333.32	0.05	58.95	0.05	89.19	0.05	103.14	0.05	134.59	0.05	139.30
10091	242.44	0.05	42.87	0.05	64.87	0.05	75.02	0.05	97.90	0.05	101.32
10092	471.00	0.05	85.00	0.05	126.70	0.05	144.10	0.05	182.40	0.05	223.40
10093	-476.40	-84.60	0.05	-126.90	0.05	-145.40	0.05	-176.40	0.05	-224.80	0.05
10095	521.83	0.05	81.99	0.05	124.04	0.05	143.43	0.05	187.45	0.05	211.57
10101	391.56	0.05	61.52	0.05	93.08	0.05	107.63	0.05	140.66	0.05	158.76
10102	360.60	0.05	76.20	0.05	113.40	0.05	128.60	0.05	142.30	0.05	179.30
10103	-589.80	-86.40	25.50	-131.30	38.40	-152.50	44.70	-207.40	57.00	-312.60	0.05
10104	196.40	-42.10	92.40	-63.80	140.30	-74.10	162.80	-98.20	219.10	0.05	282.50
10105	527.15	-33.33	99.46	-50.61	150.46	-58.73	174.76	-79.03	231.79	0.05	297.79
10111	805.10	-50.90	151.90	-77.30	229.80	-89.70	266.90	-120.70	354.00	0.05	454.80
10113	-306.10	-95.40	31.30	-144.80	47.20	-168.10	54.90	-226.20	70.10	-291.70	0.05
10114	247.10	-41.00	110.60	-61.70	167.70	-71.80	194.30	-91.60	258.10	0.05	320.10
10115	643.20	-117.20	175.20	-177.60	265.10	-205.80	307.90	-273.30	408.40	0.05	567.20
10121	342.64	-62.43	93.33	-94.61	141.22	-109.63	164.02	-145.59	217.56	0.05	302.15
10123	-316.40	-95.20	35.20	-144.30	53.10	-167.20	61.80	-222.10	78.80	-272.90	0.05
10124	291.30	-50.90	120.00	-76.70	181.60	-89.30	210.10	-113.90	274.10	0.05	325.00
10125	143.33	-63.20	63.20	-95.63	95.63	-111.07	111.07	-147.33	147.33	0.05	224.33
10131	430.00	-189.60	189.60	-286.90	286.90	-333.20	333.20	-442.00	442.00	0.05	673.00
10133	-275.20	-86.90	36.90	-131.50	55.50	-152.10	64.60	-198.40	82.50	-229.50	0.05
10134	255.80	-58.40	117.40	-87.90	177.30	-102.30	204.50	-130.60	260.50	0.05	286.60
10135	229.40	-253.60	191.00	-383.90	289.00	-447.20	335.60	-589.50	445.10	0.05	757.30

2010 NORTH TRUSS FORCES BASED ON 1996 LOAD RATING ANALYSIS FORCES

TRUSS MEMBER ENVELOPE FORCES TRANSFERRED TO GUSSET PLATE (KIPS)											
Member	Dead	2F1		3F1		4F1		5C1		(HS20-44)	
		Compr.	Tens.	Compr.	Tens.	Compr.	Tens.	Compr.	Tens.	Compr.	Tens.
10141	122.19	-135.08	101.74	-204.49	153.94	-238.21	178.76	-314.01	237.09	0.05	403.39
10143	-205.20	-59.80	29.70	-90.20	44.70	-104.10	52.10	-132.50	66.40	-183.10	0.05
10144	152.20	-48.30	80.50	-72.70	121.10	-84.60	139.20	-108.00	171.00	0.05	238.20
10145	44.03	-111.69	67.67	-169.95	102.40	-197.22	118.95	-257.47	157.76	0.05	307.81
10151	108.00	-274.00	166.00	-416.90	251.20	-483.80	291.80	-631.60	387.00	0.05	755.10
10153	-109.70	-73.20	0.05	-107.20	0.05	-117.20	0.05	-98.40	0.05	-128.90	0.05
10155	108.00	-274.00	166.00	-416.90	251.20	-483.80	291.80	-631.60	387.00	0.05	755.10
10161	44.03	-111.69	67.67	-169.95	102.40	-197.22	118.95	-257.47	157.76	0.05	307.81
10162	22.40	-52.40	86.50	-79.30	130.20	-92.10	149.60	-122.20	183.90	0.05	231.20
10163	-124.70	-63.70	32.00	-96.10	48.40	-110.90	56.20	-141.30	74.50	-179.60	0.05
10165	66.06	-129.98	96.93	-196.78	145.99	-229.26	169.90	-302.18	216.87	0.05	373.95
10171	65.98	-129.81	96.80	-196.52	145.80	-228.96	169.67	-301.78	216.58	0.05	373.46
10172	148.80	-63.60	126.60	-96.20	191.20	-111.70	220.50	-148.20	280.90	0.05	318.70
10173	-207.20	-94.00	40.30	-142.20	60.90	-164.50	70.80	-214.60	93.90	-251.30	0.05
10175	147.13	-108.05	107.01	-163.54	161.10	-189.88	187.56	-251.83	239.33	0.05	356.52
10181	135.13	-99.23	98.28	-150.19	147.95	-174.38	172.26	-231.28	219.80	0.05	327.43
10182	203.40	-53.10	124.00	-80.40	187.60	-93.40	217.00	-123.90	283.20	0.05	340.60
10183	-258.10	-100.90	37.70	-152.90	57.10	-177.20	66.30	-235.30	87.90	-290.30	0.05
10185	217.87	-58.90	87.25	-89.29	131.36	-103.46	152.90	-137.42	195.14	0.05	256.25
10191	384.30	-103.90	153.90	-157.50	231.70	-182.50	269.70	-242.40	344.20	0.05	452.00
10192	187.40	-44.10	109.50	-66.40	165.90	-77.30	192.30	-98.60	255.40	0.05	318.00
10193	-264.90	-98.10	35.00	-148.90	52.80	-172.80	61.40	-232.60	78.40	-299.90	0.05
10195	497.80	-43.10	127.40	-65.40	191.90	-76.00	223.30	-102.20	285.00	0.05	335.30
10201	377.64	-32.70	96.65	-49.61	145.58	-57.66	169.40	-77.53	216.21	0.05	254.37
10202	135.92	-36.96	71.28	-55.60	108.24	-64.72	125.60	-82.56	169.04	0.05	217.92
10203	-507.10	-86.40	25.70	-131.30	38.90	-152.50	45.20	-207.40	60.00	-307.40	0.05
10204	258.50	0.05	70.00	0.05	103.80	0.05	117.30	0.05	124.60	0.05	149.50
10205	303.20	0.05	62.93	0.05	94.67	0.05	109.27	0.05	137.27	0.05	141.67
10211	319.86	0.05	66.39	0.05	99.87	0.05	115.27	0.05	144.81	0.05	149.45
10213	-365.80	-84.00	0.05	-125.60	0.05	-143.30	0.05	-166.60	0.05	-194.40	0.05
10214	313.70	0.05	75.90	0.05	112.30	0.05	126.90	0.05	152.90	0.05	170.60
10215	169.02	0.05	41.02	0.05	61.76	0.05	70.98	0.05	87.23	0.05	92.35
10221	199.86	0.05	48.51	0.05	73.03	0.05	83.92	0.05	103.15	0.05	109.20
10223	-379.50	-84.50	0.05	-126.70	0.05	-145.10	0.05	-181.60	0.05	-199.90	0.05
10224	373.50	0.05	91.00	0.05	136.90	0.05	157.40	0.05	193.40	0.05	204.80
10225	0.05	0.05	0.05	0.05	0.05	0.05	0.05	0.05	0.05	0.05	0.05
10231	0.05	0.05	0.05	0.05	0.05	0.05	0.05	0.05	0.05	0.05	0.05
10233	-341.90	-84.90	0.05	-127.80	0.05	-146.90	0.05	-180.50	0.05	-191.20	0.05
10234	353.60	0.05	103.60	0.05	155.10	0.05	177.20	0.05	205.50	0.05	229.10
10235	-271.50	-79.30	0.05	-118.70	0.05	-135.60	0.05	-157.30	0.05	-175.30	0.05
10241	-203.63	-59.48	0.05	-89.03	0.05	-101.70	0.05	-117.98	0.05	-131.48	0.05
10243	-230.90	-69.30	0.05	-103.80	0.05	-118.70	0.05	-137.60	0.05	-153.40	0.05
10244	191.70	-20.20	80.20	-27.70	119.10	-28.10	134.70	-24.70	139.80	0.05	172.10
10245	-248.60	-71.32	0.05	-106.48	0.05	-123.03	0.05	-139.99	0.05	-155.41	0.05
10251	-420.70	-120.70	0.05	-180.20	0.05	-208.20	0.05	-236.90	0.05	-263.00	0.05
10253	-107.00	-73.20	0.05	-107.20	0.05	-117.20	0.05	-98.40	0.05	-128.90	0.05
10255	-420.70	-120.70	0.05	-180.20	0.05	-208.20	0.05	-236.90	0.05	-263.00	0.05
10261	-248.60	-71.32	0.05	-106.48	0.05	-123.03	0.05	-139.99	0.05	-155.41	0.05
10262	37.70	-40.10	58.00	-58.50	84.60	-64.80	93.70	-54.50	78.90	0.05	116.40
10263	-132.50	-56.80	11.60	-84.30	15.80	-95.40	16.10	-99.10	14.10	-121.90	0.05
10265	-293.33	-84.15	0.05	-125.63	0.05	-145.13	0.05	-165.15	0.05	-183.38	0.05
10271	-260.73	-74.80	0.05	-111.67	0.05	-129.00	0.05	-146.80	0.05	-163.00	0.05
10272	243.40	-4.50	90.40	-6.10	134.20	-6.20	151.80	-5.50	159.80	0.05	193.90
10273	-270.60	-80.80	0.05	-121.00	0.05	-138.30	0.05	-160.30	0.05	-178.70	0.05
10275	-167.28	-48.64	0.05	-72.80	0.05	-83.20	0.05	-96.48	0.05	-107.52	0.05

2010 NORTH TRUSS FORCES BASED ON 1996 LOAD RATING ANALYSIS FORCES

TRUSS MEMBER ENVELOPE FORCES TRANSFERRED TO GUSSET PLATE (KIPS)											
Member	Dead	2F1		3F1		4F1		5C1		(HS20-44)	
		Compr.	Tens.	Compr.	Tens.	Compr.	Tens.	Compr.	Tens.	Compr.	Tens.
10281	-209.10	-60.80	0.05	-91.00	0.05	-104.00	0.05	-120.60	0.05	-134.40	0.05
10282	312.40	0.05	91.10	0.05	136.50	0.05	156.00	0.05	180.80	0.05	201.60
10283	-345.30	-84.90	0.05	-127.80	0.05	-146.90	0.05	-180.50	0.05	-191.20	0.05
10285	0.05	0.05	0.05	0.05	0.05	0.05	0.05	0.05	0.05	0.05	0.05
10291	0.05	0.05	0.05	0.05	0.05	0.05	0.05	0.05	0.05	0.05	0.05
10292	309.50	0.05	74.10	0.05	111.60	0.05	128.20	0.05	157.60	0.05	166.90
10293	-372.00	-83.80	0.05	-125.00	0.05	-142.40	0.05	-175.90	0.05	-194.60	0.05
10295	131.21	0.05	31.22	0.05	47.06	0.05	54.07	0.05	66.44	0.05	70.36
10301	100.74	0.05	23.97	0.05	36.13	0.05	41.51	0.05	51.01	0.05	54.02
10302	274.60	0.05	66.00	0.05	97.40	0.05	110.20	0.05	130.70	0.05	146.40
10303	-690.20	-86.40	17.10	-131.30	25.80	-152.50	29.80	-207.40	38.30	-311.20	0.05
10304	338.50	-34.00	86.10	-51.20	130.60	-59.10	151.60	-74.20	204.00	0.05	263.00
10305	112.08	-29.48	58.02	-44.72	87.27	-51.88	100.72	-69.84	126.54	0.05	136.97
10311	144.10	-37.90	74.60	-57.50	112.20	-66.70	129.50	-89.80	162.70	0.05	176.10
10313	-450.30	-99.40	25.90	-150.80	39.00	-175.10	45.00	-235.60	56.50	-303.80	0.05
10314	398.80	-31.20	106.00	-46.90	160.70	-54.10	186.30	-68.00	247.40	0.05	308.70
10315	-83.00	-93.30	92.10	-141.50	138.70	-164.00	160.00	-217.70	201.00	-260.50	0.05
10321	-55.76	-62.67	61.87	-95.05	93.17	-110.17	107.48	-146.24	135.02	-174.99	0.05
10323	-437.40	-102.30	25.40	-155.00	38.40	-179.70	44.30	-238.60	56.90	-294.70	0.05
10324	430.60	-33.90	119.30	-51.30	180.50	-59.10	208.70	-76.10	272.40	0.05	328.60
10325	-241.61	-103.98	68.65	-157.35	103.33	-182.75	119.26	-242.44	149.75	-291.24	0.05
10331	-245.77	-105.77	69.84	-160.07	105.11	-185.90	121.31	-246.62	152.33	-296.26	0.05
10333	-360.20	-92.30	26.30	-139.70	39.70	-161.60	45.80	-210.80	58.90	-246.20	0.05
10334	363.00	-38.70	116.10	-58.50	175.30	-67.50	202.20	-86.80	257.60	0.05	290.30
10335	-463.54	-160.22	79.64	-242.51	119.89	-282.55	138.30	-372.50	173.75	-450.50	0.05
10341	-314.17	-108.59	53.98	-164.37	81.26	-191.50	93.74	-252.48	117.77	-305.34	0.05
10343	-189.20	-60.50	20.20	-91.40	30.50	-105.40	35.20	-134.30	45.20	-162.00	0.05
10344	115.30	-37.10	75.80	-55.50	114.10	-63.50	131.20	-73.60	161.20	0.05	189.10
10345	-317.12	-104.39	41.98	-158.80	63.35	-184.30	73.08	-240.60	93.89	-295.14	0.05
10351	-737.30	-242.70	97.60	-369.20	147.30	-428.50	169.90	-559.40	218.30	-686.20	0.05
10353	-111.10	-73.20	0.05	-107.20	0.05	-117.20	0.05	-98.40	0.05	-128.90	0.05
10355	-737.30	-242.70	97.60	-369.20	147.30	-428.50	169.90	-559.40	218.30	-686.30	0.05
10361	-317.73	-104.59	42.06	-159.10	63.48	-184.66	73.22	-241.07	94.07	-295.75	0.05
10362	186.50	-34.90	87.40	-52.60	131.50	-60.70	151.10	-76.20	185.70	0.05	210.40
10363	-236.70	-69.10	22.90	-104.30	34.50	-120.40	39.80	-153.30	50.00	-179.50	0.05
10365	-311.78	-111.43	55.69	-168.68	84.08	-196.49	97.00	-259.06	124.55	-313.29	0.05
10371	-418.95	-149.73	74.83	-226.66	112.98	-264.04	130.34	-348.11	167.37	-420.98	0.05
10372	399.40	-40.40	121.80	-60.70	183.80	-70.10	212.10	-88.00	270.10	0.05	311.40
10373	-389.50	-98.20	27.80	-148.70	41.80	-172.00	48.30	-224.40	60.60	-264.40	0.05
10375	-197.05	-97.11	64.46	-146.95	97.38	-170.62	112.39	-226.30	144.52	-271.87	0.05
10381	-200.33	-98.73	65.53	-149.40	99.00	-173.47	114.27	-230.07	146.93	-276.40	0.05
10382	432.90	-35.10	124.10	-52.80	187.80	-61.00	217.20	-76.60	283.40	0.05	347.00
10383	-449.30	-109.40	27.00	-165.80	40.60	-192.20	46.90	-255.20	58.90	-316.50	0.05
10385	-16.77	-52.70	52.37	-79.91	79.05	-92.58	91.20	-122.96	117.35	-147.13	0.05
10391	-25.40	-79.80	79.30	-121.00	119.70	-140.20	138.10	-186.20	177.70	-222.80	0.05
10392	377.00	-33.00	103.50	-49.80	156.90	-57.50	181.80	-73.90	241.50	0.05	301.80
10393	-446.60	-100.60	28.40	-152.70	42.90	-177.20	49.50	-238.40	63.70	-307.50	0.05
10395	164.30	-31.70	62.80	-48.10	94.80	-55.80	109.40	-75.10	140.70	0.05	159.90
10401	119.97	-23.15	45.85	-35.12	69.22	-40.74	79.88	-54.83	102.73	0.05	116.75
10402	304.00	-37.00	84.10	-55.90	127.60	-64.50	148.10	-83.00	199.40	0.05	257.10
10403	-686.00	-86.40	17.00	-131.30	25.60	-152.50	29.50	-207.40	37.10	-301.10	0.05
10404	276.50	0.05	61.50	0.05	90.40	0.05	102.40	0.05	121.00	0.05	142.30
10405	113.83	0.05	22.79	0.05	34.42	0.05	39.71	0.05	50.61	0.05	51.92
10411	131.90	0.05	26.41	0.05	39.88	0.05	46.01	0.05	58.65	0.05	60.16
10413	-417.50	-83.50	0.05	-124.50	0.05	-141.50	0.05	-177.10	0.05	-206.30	0.05

2010 NORTH TRUSS FORCES BASED ON 1996 LOAD RATING ANALYSIS FORCES

TRUSS MEMBER ENVELOPE FORCES TRANSFERRED TO GUSSET PLATE (KIPS)											
Member	Dead	2F1		3F1		4F1		5C1		(HS20-44)	
		Compr.	Tens.	Compr.	Tens.	Compr.	Tens.	Compr.	Tens.	Compr.	Tens.
10414	344.00	0.05	69.30	0.05	104.60	0.05	120.70	0.05	153.90	0.05	168.40
10415	0.05	0.05	0.05	0.05	0.05	0.05	0.05	0.05	0.05	0.05	0.05
10421	0.05	0.05	0.05	0.05	0.05	0.05	0.05	0.05	0.05	0.05	0.05
10423	-417.30	-85.50	0.05	-129.00	0.05	-148.90	0.05	-189.90	0.05	-207.80	0.05
10424	382.80	0.05	90.50	0.05	136.20	0.05	156.50	0.05	192.40	0.05	203.80
10425	-241.20	-56.80	0.05	-85.40	0.05	-98.20	0.05	-120.70	0.05	-127.80	0.05
10431	-241.20	-56.80	0.05	-85.40	0.05	-98.20	0.05	-120.70	0.05	-127.80	0.05
10433	-356.60	-85.90	0.05	-129.20	0.05	-148.60	0.05	-182.60	0.05	-193.40	0.05
10434	343.80	0.05	96.60	0.05	144.70	0.05	165.40	0.05	191.80	0.05	213.80
10435	-487.80	-114.20	0.05	-171.00	0.05	-197.80	0.05	-239.10	0.05	-252.60	0.05
10441	-332.43	-77.83	0.05	-116.53	0.05	-134.80	0.05	-162.94	0.05	-172.14	0.05
10443	-203.60	-63.50	9.00	-95.10	12.30	-108.70	12.50	-126.10	11.00	-140.50	0.05
10444	137.00	-28.90	68.80	-42.10	102.10	-46.60	115.60	-39.30	120.70	0.05	147.70
10445	-361.07	-82.83	0.05	-125.28	0.05	-144.21	0.05	-170.06	0.05	-183.29	0.05
10451	-589.40	-135.20	0.05	-204.50	0.05	-235.40	0.05	-277.60	0.05	-299.20	0.05
10453	-109.70	-72.70	0.05	-106.40	0.05	-116.30	0.05	-97.70	0.05	-128.00	0.05
10455	-589.40	-135.20	0.05	-204.50	0.05	-235.40	0.05	-277.60	0.05	-299.20	0.05
10461	-414.76	-95.14	0.05	-143.91	0.05	-165.65	0.05	-195.35	0.05	-210.55	0.05
10462	135.80	-27.90	69.70	-40.80	103.50	-45.20	117.10	-38.80	121.70	0.05	149.70
10463	-202.00	-63.10	8.80	-94.50	12.20	-108.10	12.60	-125.80	10.70	-139.80	0.05
10465	-344.53	-79.45	0.05	-119.00	0.05	-137.71	0.05	-167.13	0.05	-176.14	0.05
10471	-489.60	-112.90	0.05	-169.10	0.05	-195.70	0.05	-237.50	0.05	-250.30	0.05
10472	345.00	0.05	96.00	0.05	143.90	0.05	164.60	0.05	191.60	0.05	213.00
10473	-357.20	-83.90	0.05	-126.40	0.05	-145.50	0.05	-180.10	0.05	-189.60	0.05
10475	-245.80	-56.20	0.05	-84.70	0.05	-97.50	0.05	-120.60	0.05	-127.00	0.05
10481	-245.80	-56.20	0.05	-84.70	0.05	-97.50	0.05	-120.60	0.05	-127.00	0.05
10482	384.90	0.05	88.40	0.05	133.20	0.05	153.30	0.05	189.80	0.05	199.80
10483	-413.20	-81.00	0.05	-122.50	0.05	-141.70	0.05	-182.80	0.05	-202.80	0.05
10485	0.05	0.05	0.05	0.05	0.05	0.05	0.05	0.05	0.05	0.05	0.05
10491	0.05	0.05	0.05	0.05	0.05	0.05	0.05	0.05	0.05	0.05	0.05
10492	345.00	0.05	66.10	0.05	100.00	0.05	115.60	0.05	149.10	0.05	165.40
10493	-414.70	-81.90	0.05	-122.10	0.05	-138.70	0.05	-172.10	0.05	-203.90	0.05
10495	141.52	0.05	26.93	0.05	40.74	0.05	47.07	0.05	60.73	0.05	61.66
10501	122.27	0.05	23.27	0.05	35.20	0.05	40.67	0.05	52.47	0.05	53.27
10502	268.40	0.05	60.40	0.05	88.60	0.05	100.40	0.05	115.10	0.05	137.90
10503	-650.73	-67.32	16.12	-102.57	24.37	-119.61	28.30	-167.42	36.94	-272.38	0.05
10504	458.40	-33.00	86.50	-49.90	131.70	-57.60	153.50	-75.10	213.00	0.05	308.40
10505	92.26	-22.89	44.25	-34.84	66.92	-40.58	77.40	-56.35	100.83	0.05	120.36
10511	120.50	-29.90	57.80	-45.50	87.40	-53.00	101.10	-73.60	131.70	0.05	157.20
10513	-609.30	-103.00	27.70	-157.00	41.90	-182.90	48.40	-253.90	63.10	-367.60	0.05
10514	427.12	-24.84	85.46	-37.54	129.99	-43.33	151.30	-56.52	207.49	0.05	289.09
10515	-120.00	-75.40	71.70	-114.60	108.40	-133.40	125.30	-183.00	163.20	-245.70	0.05
10521	-77.65	-48.79	46.39	-74.15	70.14	-86.32	81.08	-118.41	105.60	-158.98	0.05
10523	-617.30	-113.00	31.40	-172.00	47.30	-200.10	55.10	-274.50	71.80	-379.90	0.05
10524	464.37	-29.61	97.42	-44.76	147.95	-52.03	171.95	-67.89	232.66	0.05	314.05
10525	-321.21	-98.21	61.50	-149.14	93.00	-173.29	107.50	-235.07	140.00	-317.64	0.05
10531	-312.83	-95.65	59.90	-145.25	90.57	-168.77	104.70	-228.94	136.35	-309.36	0.05
10533	-557.20	-110.00	33.50	-167.00	50.50	-194.10	58.70	-262.60	76.60	-346.70	0.05
10534	469.90	-36.46	107.27	-55.02	162.71	-63.92	188.66	-83.41	251.24	0.05	323.57
10535	-578.75	-146.47	68.28	-222.17	103.31	-258.77	119.43	-350.16	155.60	-472.02	0.05
10541	-811.20	-205.30	95.70	-311.40	144.80	-362.70	167.40	-490.80	218.10	-661.60	0.05
10543	-448.40	-102.70	34.80	-155.70	52.60	-180.50	61.20	-240.40	79.80	-299.80	0.05
10544	458.80	-49.10	126.90	-74.10	192.00	-86.10	222.20	-112.40	290.00	0.05	350.50
10545	-1138.50	-270.40	104.50	-410.30	157.80	-478.50	183.50	-643.80	239.40	-871.00	0.05
10551	-556.96	-132.28	51.12	-200.72	77.20	-234.09	89.77	-314.95	117.12	-426.10	0.05

2010 NORTH TRUSS FORCES BASED ON 1996 LOAD RATING ANALYSIS FORCES

TRUSS MEMBER ENVELOPE FORCES TRANSFERRED TO GUSSET PLATE (KIPS)											
Member	Dead	2F1		3F1		4F1		5C1		(HS20-44)	
		Compr.	Tens.	Compr.	Tens.	Compr.	Tens.	Compr.	Tens.	Compr.	Tens.
10553	-204.70	-67.60	26.10	-102.30	39.50	-118.40	45.90	-154.50	59.90	-190.80	0.05
10554	119.70	-37.80	83.60	-57.00	126.20	-66.30	145.60	-86.50	185.10	0.05	219.40
10555	-455.83	-108.64	49.10	-165.51	74.11	-192.46	86.16	-256.87	112.43	-351.24	0.05
10561	-1226.40	-292.30	132.10	-445.30	199.40	-517.80	231.80	-691.10	302.50	-945.00	0.05
10563	-119.90	-78.80	0.05	-115.40	0.05	-126.20	0.05	-106.00	0.05	-138.80	0.05
10565	-1226.50	-292.30	132.10	-445.30	199.40	-517.80	231.80	-691.10	302.50	-945.00	0.05
10571	-391.06	-93.20	42.12	-141.98	63.58	-165.10	73.91	-220.35	96.45	-301.30	0.05
10572	241.20	-36.30	83.60	-54.60	126.10	-62.80	145.50	-76.90	184.80	0.05	232.80
10573	-287.90	-66.90	19.70	-101.30	29.40	-117.20	33.60	-152.90	40.60	-198.30	0.05
10575	-512.37	-132.05	71.34	-200.42	107.69	-233.74	125.18	-314.53	163.33	-425.88	0.05
10581	-1051.50	-271.00	146.40	-411.30	221.00	-479.70	256.90	-645.50	335.20	-874.00	0.05
10582	441.32	-27.38	102.90	-41.43	155.72	-47.90	180.12	-62.43	235.04	0.05	283.10
10583	-508.00	-102.00	23.90	-154.80	36.10	-179.50	41.80	-239.10	54.40	-297.30	0.05
10585	-665.30	-206.50	139.40	-313.10	210.40	-364.80	244.70	-493.90	319.30	-666.60	0.05
10591	-476.29	-147.84	99.80	-224.15	150.63	-261.16	175.18	-353.59	228.59	-477.23	0.05
10592	480.46	-23.57	100.81	-35.67	152.90	-41.25	177.34	-53.74	236.26	0.05	303.76
10593	-593.10	-109.40	23.00	-166.30	34.70	-193.20	40.20	-261.60	52.30	-344.80	0.05
10595	-159.60	-81.08	73.21	-123.20	110.48	-143.15	128.45	-194.31	167.59	-263.08	0.05
10601	-273.60	-139.00	125.50	-211.20	189.40	-245.40	220.20	-333.10	287.30	-451.00	0.05
10602	467.50	-29.78	97.59	-44.86	148.26	-52.17	172.31	-68.12	233.28	0.05	314.76
10603	-619.70	-112.70	31.40	-171.50	47.30	-199.60	55.10	-274.00	71.80	-379.10	0.05
10605	57.20	-77.10	104.50	-117.30	157.80	-136.50	183.50	-187.40	239.40	0.05	298.20
10611	35.75	-48.19	65.31	-73.31	98.63	-85.31	114.69	-117.13	149.63	0.05	186.38
10612	403.85	-37.88	86.99	-57.18	132.38	-66.55	154.11	-86.83	211.45	0.05	294.89
10613	-578.50	-103.60	41.80	-157.80	63.10	-183.90	73.30	-255.40	95.70	-371.20	0.05
10615	191.36	-21.31	56.73	-32.44	85.70	-37.80	99.61	-52.52	130.01	0.05	154.10
10621	282.00	-31.40	83.60	-47.80	126.30	-55.70	146.80	-77.40	191.60	0.05	227.10
10622	406.20	-47.60	86.20	-71.90	131.40	-83.60	153.10	-109.10	212.70	0.05	309.00
10623	-770.70	-85.70	27.80	-130.70	42.00	-152.50	48.40	-214.20	61.70	-352.80	0.05
10624	249.40	0.05	63.00	0.05	93.30	0.05	105.40	0.05	109.50	0.05	133.60
10625	346.10	0.05	60.40	0.05	91.20	0.05	105.20	0.05	135.20	0.05	143.30
10631	225.55	0.05	39.36	0.05	59.43	0.05	68.56	0.05	88.11	0.05	93.39
10633	-417.20	-82.80	0.05	-123.90	0.05	-141.50	0.05	-165.70	0.05	-201.80	0.05
10634	325.30	0.05	66.90	0.05	99.20	0.05	112.00	0.05	137.80	0.05	161.00
10635	121.15	0.05	24.31	0.05	36.74	0.05	42.36	0.05	54.01	0.05	55.38
10641	162.81	0.05	32.67	0.05	49.37	0.05	56.92	0.05	72.57	0.05	74.42
10643	-430.70	-83.00	0.05	-124.20	0.05	-142.00	0.05	-180.00	0.05	-209.00	0.05
10644	370.60	0.05	74.80	0.05	113.00	0.05	130.30	0.05	166.00	0.05	181.60
10645	0.05	0.05	0.05	0.05	0.05	0.05	0.05	0.05	0.05	0.05	0.05
10651	0.05	0.05	0.05	0.05	0.05	0.05	0.05	0.05	0.05	0.05	0.05
10653	-410.10	-84.20	0.05	-127.10	0.05	-146.60	0.05	-186.70	0.05	-204.30	0.05
10654	376.50	0.05	89.60	0.05	134.90	0.05	155.00	0.05	190.50	0.05	201.80
10655	-240.20	-56.90	0.05	-85.70	0.05	-98.50	0.05	-121.00	0.05	-128.20	0.05
10661	-240.20	-56.90	0.05	-85.70	0.05	-98.50	0.05	-121.00	0.05	-128.20	0.05
10663	-335.10	-81.10	0.05	-122.10	0.05	-140.30	0.05	-172.40	0.05	-182.60	0.05
10664	310.50	-3.10	89.50	-4.20	134.00	-4.30	153.10	-3.80	177.60	0.05	198.00
10665	-458.80	-107.90	0.05	-161.60	0.05	-187.00	0.05	-226.00	0.05	-238.80	0.05
10671	-300.45	-70.66	0.05	-105.83	0.05	-122.46	0.05	-148.00	0.05	-156.38	0.05
10673	-186.40	-59.40	10.30	-88.90	14.00	-101.60	14.30	-117.80	12.60	-131.30	0.05
10674	107.80	-32.00	62.20	-46.70	92.30	-51.70	104.40	-43.50	108.40	0.05	133.40
10675	-344.54	-79.76	0.05	-120.67	0.05	-138.91	0.05	-163.50	0.05	-176.41	0.05
10681	-536.50	-124.20	0.05	-187.90	0.05	-216.30	0.05	-254.60	0.05	-274.70	0.05
10683	-109.30	-72.10	0.05	-105.60	0.05	-115.40	0.05	-97.00	0.05	-127.00	0.05
10685	-536.50	-124.20	0.05	-187.90	0.05	-216.30	0.05	-254.60	0.05	-274.70	0.05
10691	-344.54	-79.76	0.05	-120.67	0.05	-138.91	0.05	-163.50	0.05	-176.41	0.05

2010 NORTH TRUSS FORCES BASED ON 1996 LOAD RATING ANALYSIS FORCES

TRUSS MEMBER ENVELOPE FORCES TRANSFERRED TO GUSSET PLATE (KIPS)											
Member	Dead	2F1		3F1		4F1		5C1		(HS20-44)	
		Compr.	Tens.	Compr.	Tens.	Compr.	Tens.	Compr.	Tens.	Compr.	Tens.
10692	118.70	-30.00	64.50	-43.70	95.80	-48.40	108.40	-40.80	112.50	0.05	138.40
10693	-192.70	-61.10	9.50	-91.40	13.00	-104.50	13.30	-121.10	11.70	-135.10	0.05
10695	-295.93	-69.55	0.05	-104.19	0.05	-120.50	0.05	-145.64	0.05	-153.89	0.05
10701	-451.90	-106.20	0.05	-159.10	0.05	-184.00	0.05	-222.40	0.05	-235.00	0.05
10702	313.30	-2.60	90.10	-3.50	134.90	-3.60	154.20	-3.10	178.80	0.05	199.30
10703	-336.80	-81.60	0.05	-122.70	0.05	-141.10	0.05	-173.40	0.05	-183.60	0.05
10705	-235.00	-55.60	0.05	-83.70	0.05	-96.20	0.05	-118.20	0.05	-125.20	0.05
10711	-235.00	-55.60	0.05	-83.70	0.05	-96.20	0.05	-118.20	0.05	-125.20	0.05
10712	376.90	0.05	89.60	0.05	134.80	0.05	155.00	0.05	190.40	0.05	201.70
10713	-409.90	-84.20	0.05	-127.10	0.05	-146.60	0.05	-186.70	0.05	-204.30	0.05
10715	0.05	0.05	0.05	0.05	0.05	0.05	0.05	0.05	0.05	0.05	0.05
10721	0.05	0.05	0.05	0.05	0.05	0.05	0.05	0.05	0.05	0.05	0.05
10722	371.90	0.05	74.70	0.05	112.80	0.05	130.20	0.05	165.80	0.05	181.40
10723	-433.50	-83.00	0.05	-124.20	0.05	-142.00	0.05	-179.90	0.05	-208.90	0.05
10725	149.83	0.05	29.97	0.05	45.21	0.05	52.12	0.05	66.38	0.05	68.12
10731	99.79	0.05	19.96	0.05	30.11	0.05	34.71	0.05	44.21	0.05	45.37
10732	331.50	0.05	67.20	0.05	99.60	0.05	112.60	0.05	138.60	0.05	161.90
10733	-422.70	-82.90	0.05	-124.00	0.05	-141.60	0.05	-166.20	0.05	-202.30	0.05
10735	204.99	0.05	35.46	0.05	53.55	0.05	61.77	0.05	79.44	0.05	84.16
10741	149.30	0.05	25.82	0.05	39.00	0.05	44.99	0.05	57.86	0.05	61.30
10742	255.20	0.05	63.30	0.05	93.70	0.05	105.90	0.05	110.30	0.05	134.30
10743	-770.50	-84.50	33.00	-128.80	49.80	-150.10	57.50	-210.60	74.20	-402.90	0.05
10744	386.40	-52.50	82.90	-79.20	126.30	-92.10	147.20	-120.20	206.30	0.05	358.60
10745	203.64	-18.66	56.20	-28.44	84.91	-33.13	98.69	-46.49	128.78	0.05	167.90
10751	163.58	-14.99	45.14	-22.85	68.21	-26.61	79.27	-37.34	103.45	0.05	134.87
10753	-578.80	-97.60	41.70	-148.80	62.90	-173.50	73.20	-243.10	95.50	-422.50	0.05
10754	488.80	-45.70	99.70	-68.90	151.90	-80.10	177.00	-104.60	247.00	0.05	416.80
10755	42.64	-31.39	47.34	-47.81	71.48	-55.72	83.11	-77.79	108.47	0.05	162.73
10761	90.60	-66.70	100.60	-101.60	151.90	-118.40	176.60	-165.30	230.50	0.05	345.80
10763	-601.50	-106.60	44.60	-162.40	67.80	-189.30	79.10	-264.10	107.90	-443.70	0.05
10764	439.84	-41.20	91.52	-62.72	139.28	-73.12	162.24	-99.84	225.28	0.05	370.80
10765	-191.80	-120.20	121.00	-183.00	182.60	-213.20	212.40	-296.00	277.10	-488.70	0.05
10771	-93.56	-58.63	59.02	-89.27	89.07	-104.00	103.61	-144.39	135.17	-238.39	0.05
10773	-575.60	-108.00	48.70	-164.50	74.00	-191.60	86.40	-266.10	117.90	-432.30	0.05
10774	449.00	-48.54	99.35	-73.82	151.20	-86.18	176.00	-117.60	243.03	0.05	387.85
10775	-275.09	-96.58	72.96	-146.92	110.17	-171.01	128.07	-237.14	167.12	-392.98	0.05
10781	-524.10	-184.00	139.00	-279.90	209.90	-325.80	244.00	-451.80	318.40	-748.70	0.05
10783	-476.90	-97.90	47.80	-149.00	72.70	-173.40	84.90	-239.40	115.80	-370.60	0.05
10784	371.36	-50.08	93.84	-76.16	142.72	-88.88	166.00	-121.36	227.60	0.05	342.80
10785	-828.60	-244.90	148.30	-372.50	223.80	-434.60	260.30	-602.20	339.60	-998.10	0.05
10791	-828.60	-244.90	148.30	-372.50	223.80	-434.60	260.30	-602.20	339.60	-998.10	0.05
10793	-327.80	-83.00	44.30	-126.10	67.30	-146.70	78.60	-201.20	107.20	-289.10	0.05
10794	281.80	-60.40	102.80	-91.90	156.10	-107.20	181.40	-146.40	246.70	0.05	336.40
10795	-1023.40	-292.90	172.20	-445.20	262.00	-520.50	305.70	-719.30	417.20	-1195.60	0.05
10801	-1023.40	-292.90	172.20	-445.20	262.00	-520.50	305.70	-719.30	417.20	-1195.60	0.05
10803	-148.50	-64.20	37.80	-97.60	57.40	-113.40	67.00	-154.20	91.50	-225.50	0.05
10804	39.20	-52.50	80.20	-79.90	121.80	-93.20	141.30	-127.20	190.20	0.05	266.00
10805	-1051.70	-319.40	209.10	-486.50	318.00	-568.00	371.00	-783.50	506.40	-1306.20	0.05
10811	-447.10	-135.78	88.89	-206.82	135.19	-241.47	157.72	-333.08	215.28	-555.29	0.05
10813	17.30	-50.80	33.20	-77.00	50.50	-89.40	59.00	-120.30	80.50	0.05	166.90
10814	-193.10	-46.50	63.00	-70.70	95.50	-82.50	110.60	-112.60	146.90	-251.90	0.05
10815	-565.81	-202.31	149.34	-308.74	227.13	-359.92	265.03	-494.38	361.71	-829.30	0.05
10821	-916.50	-327.70	241.90	-500.10	367.90	-583.00	429.30	-800.80	585.90	-1343.30	0.05
10823	-116.30	-70.60	0.05	-103.40	0.05	-113.00	0.05	-94.90	0.05	-124.30	0.05
10825	-916.50	-327.70	241.90	-500.10	367.90	-583.00	429.30	-800.80	585.90	-1343.30	0.05

2010 NORTH TRUSS FORCES BASED ON 1996 LOAD RATING ANALYSIS FORCES

TRUSS MEMBER ENVELOPE FORCES TRANSFERRED TO GUSSET PLATE (KIPS)											
Member	Dead	2F1		3F1		4F1		5C1		(HS20-44)	
		Compr.	Tens.	Compr.	Tens.	Compr.	Tens.	Compr.	Tens.	Compr.	Tens.
10831	-325.87	-116.52	86.01	-177.81	130.81	-207.29	152.64	-284.73	208.32	-477.62	0.05
10832	427.70	-38.30	70.00	-57.90	106.10	-67.00	122.90	-87.40	163.20	0.05	289.50
10833	-425.40	-55.90	23.10	-84.80	34.90	-98.50	40.30	-132.50	51.30	-235.70	0.05
10835	-363.03	-185.26	155.85	-282.13	237.11	-329.38	276.65	-454.36	377.58	-757.46	0.05
10841	-616.10	-314.40	264.50	-478.80	402.40	-559.00	469.50	-771.10	640.80	-1285.50	0.05
10842	486.56	-24.00	71.04	-36.16	107.76	-42.08	125.04	-54.88	168.32	0.05	255.20
10843	-431.49	-54.86	16.61	-83.30	25.11	-96.82	29.21	-131.60	38.10	-205.93	0.05
10845	-195.20	-281.80	276.20	-428.30	420.10	-500.70	490.10	-692.00	669.00	-1150.30	0.05
10851	-107.11	-154.63	151.56	-235.02	230.52	-274.75	268.94	-379.73	367.10	-631.21	0.05
10852	580.15	-25.67	84.66	-38.79	128.66	-45.06	149.52	-58.83	203.30	0.05	278.42
10853	-650.90	-84.50	23.30	-128.50	35.10	-149.50	40.80	-205.00	53.30	-295.00	0.05
10855	148.66	-123.68	145.23	-188.08	220.94	-219.46	257.76	-304.09	351.80	0.05	599.04
10861	281.40	-234.10	274.90	-356.00	418.20	-415.40	487.90	-575.60	665.90	0.05	1133.90
10862	543.34	-24.76	90.08	-37.41	137.00	-43.55	159.39	-56.81	218.50	0.05	330.13
10863	-673.20	-98.80	24.90	-150.30	37.60	-175.00	43.70	-241.60	57.00	-374.50	0.05
10865	729.80	-174.90	256.40	-266.20	390.00	-309.80	455.00	-429.50	621.00	0.05	1025.80
10871	228.61	-54.79	80.32	-83.39	122.17	-97.05	142.53	-134.54	194.53	0.05	321.33
10872	451.66	-43.87	94.11	-66.66	143.19	-77.78	166.68	-106.17	230.07	0.05	366.72
10873	-604.80	-107.10	45.80	-163.10	69.70	-190.00	81.40	-263.80	111.00	-428.30	0.05
10875	585.96	-63.33	123.57	-96.40	188.01	-112.28	219.31	-155.93	299.35	0.05	481.62
10881	1063.10	-114.90	224.20	-174.90	341.10	-203.70	397.90	-282.90	543.10	0.05	873.80
10882	378.00	-77.30	113.90	-117.50	173.40	-137.10	201.90	-187.20	280.40	0.05	461.60
10883	-459.60	-106.60	66.90	-162.30	101.70	-189.20	118.70	-264.00	162.00	-443.50	0.05
10885	1249.90	-63.70	186.40	-97.00	283.50	-113.10	330.80	-157.80	451.50	0.05	709.70
10891	508.43	-25.91	75.82	-39.46	115.32	-46.01	134.56	-64.19	183.66	0.05	288.69
10892	198.70	-85.30	98.90	-129.70	150.70	-151.30	175.70	-206.60	245.10	0.05	413.50
10893	-319.30	-97.10	77.80	-148.00	118.40	-172.50	138.10	-241.80	188.60	-420.20	0.05
10895	513.60	-10.07	58.82	-15.32	89.51	-17.87	104.40	-25.05	142.50	0.05	219.46
10901	1330.70	-26.10	152.40	-39.70	231.90	-46.30	270.50	-64.90	369.20	0.05	568.60
10902	-64.50	-99.20	82.80	-150.90	126.20	-176.10	147.20	-240.40	206.30	-423.30	0.05
10903	227.10	-83.20	156.70	-127.00	237.60	-148.30	276.90	-209.00	373.90	0.05	577.80
10904	-349.10	-66.50	58.20	-100.80	85.60	-116.80	97.00	-155.90	94.60	-211.60	0.05
10905	1426.30	-0.30	143.20	-0.40	217.30	-0.40	253.70	-0.40	344.50	0.05	493.30
10911	548.58	-0.12	55.08	-0.15	83.58	-0.15	97.58	-0.15	132.50	0.05	189.73
10913	-208.50	-79.90	18.60	-119.70	28.10	-136.80	32.60	-159.40	43.30	-177.00	0.05
10914	88.50	-20.70	65.50	-31.30	97.30	-36.30	110.20	-48.20	117.80	0.05	140.90
10915	779.62	0.05	85.31	0.05	129.35	0.05	150.80	0.05	203.65	0.05	275.43
10921	651.56	0.05	71.30	0.05	108.10	0.05	126.03	0.05	170.20	0.05	230.19
10923	-270.10	-79.70	5.10	-119.10	7.80	-135.90	9.00	-154.50	12.00	-175.30	0.05
10924	171.40	-6.60	68.00	-10.00	100.70	-11.60	113.80	-15.40	117.60	0.05	144.30
10925	453.32	0.05	54.43	0.05	82.50	0.05	95.73	0.05	128.49	0.05	163.77
10931	572.88	0.05	68.78	0.05	104.25	0.05	120.97	0.05	162.37	0.05	206.96
10933	-439.80	-80.10	0.05	-120.00	0.05	-137.30	0.05	-161.50	0.05	-199.10	0.05
10934	417.40	0.05	78.40	0.05	116.70	0.05	132.40	0.05	146.20	0.05	190.70
10935	443.02	0.05	58.71	0.05	88.99	0.05	103.14	0.05	136.96	0.05	163.92
10941	744.58	0.05	98.67	0.05	149.57	0.05	173.35	0.05	230.19	0.05	275.50
10943	-429.82	-58.98	0.05	-89.02	0.05	-102.76	0.05	-132.15	0.05	-177.96	0.05
10944	534.88	0.05	76.16	0.05	114.64	0.05	131.76	0.05	173.20	0.05	223.12
10945	319.33	0.05	47.08	0.05	71.31	0.05	82.67	0.05	109.73	0.05	121.10
10951	442.80	0.05	65.28	0.05	98.88	0.05	114.64	0.05	152.16	0.05	167.92
10953	-444.73	-59.64	0.05	-90.55	0.05	-105.24	0.05	-142.04	0.05	-183.13	0.05
10954	578.28	0.05	85.48	0.05	129.50	0.05	150.11	0.05	199.34	0.05	243.21
10955	0.05	0.05	0.05	0.05	0.05	0.05	0.05	0.05	0.05	0.05	0.05
10961	0.05	0.05	0.05	0.05	0.05	0.05	0.05	0.05	0.05	0.05	0.05
10963	-542.80	-81.60	0.05	-123.70	0.05	-143.40	0.05	-190.40	0.05	-232.30	0.05

2010 NORTH TRUSS FORCES BASED ON 1996 LOAD RATING ANALYSIS FORCES

TRUSS MEMBER ENVELOPE FORCES TRANSFERRED TO GUSSET PLATE (KIPS)											
Member	Dead	2F1		3F1		4F1		5C1		(HS20-44)	
		Compr.	Tens.	Compr.	Tens.	Compr.	Tens.	Compr.	Tens.	Compr.	Tens.
10964	439.57	0.05	73.21	0.05	110.72	0.05	128.09	0.05	167.16	0.05	192.95
10965	-494.50	-82.10	0.05	-124.20	0.05	-143.70	0.05	-187.50	0.05	-194.00	0.05
10971	-251.54	-41.76	0.05	-63.18	0.05	-73.10	0.05	-95.38	0.05	-98.68	0.05
10973	-432.40	-73.20	0.05	-110.70	0.05	-128.10	0.05	-167.10	0.05	-192.90	0.05
10974	495.80	-10.90	96.90	-14.90	146.30	-15.10	168.80	-13.30	214.90	0.05	232.40
10975	-463.93	-76.43	0.05	-115.41	0.05	-133.13	0.05	-171.16	0.05	-181.39	0.05
10981	-479.92	-79.06	0.05	-119.39	0.05	-137.72	0.05	-177.06	0.05	-187.65	0.05
10983	-311.10	-62.70	7.90	-94.60	10.80	-109.10	11.00	-139.00	9.60	-150.10	0.05
10984	312.20	-26.90	81.70	-39.20	122.90	-43.40	141.30	-36.50	173.60	0.05	183.90
10985	-490.37	-80.13	0.05	-120.66	0.05	-140.44	0.05	-179.21	0.05	-191.21	0.05
10991	-666.80	-108.96	0.05	-164.07	0.05	-190.97	0.05	-243.68	0.05	-260.00	0.05
10993	-179.80	-51.00	18.70	-76.80	27.30	-88.20	30.20	-108.40	25.40	-114.80	0.05
10994	105.10	-45.20	63.90	-67.10	95.70	-76.00	109.30	-78.80	126.80	0.05	141.40
10995	-692.41	-112.08	0.05	-170.14	0.05	-196.86	0.05	-247.75	0.05	-269.78	0.05
11001	-1197.30	-193.80	0.05	-294.20	0.05	-340.40	0.05	-428.40	0.05	-466.50	0.05
11003	-109.30	-69.20	0.20	-101.30	0.30	-110.60	0.40	-92.70	0.40	-121.60	0.05
11005	-1197.30	-193.80	0.05	-294.20	0.05	-340.40	0.05	-428.40	0.05	-466.50	0.05
11011	-611.39	-98.96	0.05	-150.23	0.05	-173.82	0.05	-218.76	0.05	-238.21	0.05
11012	97.90	-46.00	62.90	-68.40	94.20	-77.40	107.60	-80.30	124.80	0.05	139.10
11013	-172.20	-49.90	19.40	-75.10	28.30	-86.30	31.30	-106.10	26.40	-112.40	0.05
11015	-594.76	-97.16	0.05	-146.24	0.05	-170.22	0.05	-217.29	0.05	-231.77	0.05
11021	-516.44	-84.36	0.05	-126.98	0.05	-147.80	0.05	-188.67	0.05	-201.25	0.05
11022	303.20	-28.10	80.40	-40.90	121.00	-45.30	139.10	-38.20	171.00	0.05	181.10
11023	-306.70	-62.00	8.20	-93.60	11.20	-108.00	11.30	-137.60	10.00	-148.50	0.05
11025	-483.71	-79.64	0.05	-120.23	0.05	-138.69	0.05	-178.30	0.05	-188.95	0.05
11031	-480.27	-79.08	0.05	-119.38	0.05	-137.71	0.05	-177.03	0.05	-187.61	0.05
11032	493.20	-11.50	96.60	-15.70	145.80	-16.00	168.20	-14.10	214.20	0.05	231.50
11033	-428.00	-72.50	0.05	-109.70	0.05	-126.80	0.05	-165.50	0.05	-191.00	0.05
11035	-283.50	-47.00	0.05	-71.11	0.05	-82.24	0.05	-107.32	0.05	-111.03	0.05
11041	-504.30	-83.60	0.05	-126.50	0.05	-146.30	0.05	-190.90	0.05	-197.50	0.05
11042	525.68	0.05	87.36	0.05	132.24	0.05	152.96	0.05	199.60	0.05	230.40
11043	-543.20	-81.60	0.05	-123.70	0.05	-143.40	0.05	-190.40	0.05	-232.30	0.05
11045	0.05	0.05	0.05	0.05	0.05	0.05	0.05	0.05	0.05	0.05	0.05
11051	0.05	0.05	0.05	0.05	0.05	0.05	0.05	0.05	0.05	0.05	0.05
11052	616.25	0.05	91.11	0.05	138.07	0.05	159.98	0.05	212.43	0.05	259.23
11053	-619.20	-82.20	0.05	-125.20	0.05	-145.80	0.05	-197.70	0.05	-255.00	0.05
11055	476.39	0.05	70.24	0.05	106.50	0.05	123.41	0.05	163.86	0.05	180.84
11061	276.09	0.05	40.70	0.05	61.72	0.05	71.52	0.05	94.96	0.05	104.81
11062	540.25	0.05	78.36	0.05	117.79	0.05	135.21	0.05	176.85	0.05	227.86
11063	-409.37	-58.08	0.05	-87.66	0.05	-101.02	0.05	-128.66	0.05	-172.95	0.05
11065	676.64	0.05	90.04	0.05	136.46	0.05	158.14	0.05	210.05	0.05	251.31
11071	385.85	0.05	51.35	0.05	77.82	0.05	90.18	0.05	119.78	0.05	143.31
11072	457.10	0.05	81.20	0.05	121.10	0.05	137.80	0.05	157.30	0.05	206.60
11073	-467.60	-80.30	0.05	-120.60	0.05	-138.30	0.05	-166.30	0.05	-210.10	0.05
11075	757.22	0.05	91.56	0.05	138.78	0.05	161.06	0.05	216.17	0.05	275.56
11081	0.05	0.05	0.05	0.05	0.05	0.05	0.05	0.05	0.05	0.05	0.05
11082	247.00	0.05	71.40	0.05	106.10	0.05	120.30	0.05	129.10	0.05	153.90
11083	-325.30	-80.00	0.05	-119.90	0.05	-137.10	0.05	-160.20	0.05	-177.40	0.05
11085	1502.80	0.05	166.30	0.05	252.00	0.05	293.80	0.05	396.80	0.05	536.60
11091	0.05	0.05	0.05	0.05	0.05	0.05	0.05	0.05	0.05	0.05	0.05
11092	-118.50	-41.20	61.40	-62.40	90.50	-72.30	102.50	-96.00	101.00	-121.00	0.05
11093	-23.80	-79.40	36.30	-118.40	55.10	-134.60	63.80	-149.30	84.80	-173.10	0.05
11095	1450.00	0.05	147.50	0.05	223.80	0.05	261.30	0.05	354.80	0.05	508.10
11101	910.90	0.05	92.66	0.05	140.59	0.05	164.15	0.05	222.89	0.05	319.19
11102	-341.70	-65.00	58.00	-98.60	85.40	-114.20	96.70	-152.40	95.00	-206.50	0.05

2010 NORTH TRUSS FORCES BASED ON 1996 LOAD RATING ANALYSIS FORCES

TRUSS MEMBER ENVELOPE FORCES TRANSFERRED TO GUSSET PLATE (KIPS)											
Member	Dead	2F1		3F1		4F1		5C1		(HS20-44)	
		Compr.	Tens.	Compr.	Tens.	Compr.	Tens.	Compr.	Tens.	Compr.	Tens.
11103	-26.20	-83.50	141.90	-127.60	215.10	-149.30	250.60	-213.70	338.10	-427.30	0.05
11104	214.00	-85.90	85.70	-130.60	130.80	-152.40	152.80	-208.00	217.50	0.05	391.90
11105	760.30	-17.30	92.82	-26.46	141.22	-30.92	164.79	-43.94	224.94	0.05	340.13
11111	502.38	-11.43	61.33	-17.48	93.31	-20.43	108.89	-29.03	148.63	0.05	224.74
11113	-505.90	-99.60	74.40	-152.10	113.10	-177.70	132.00	-252.80	180.10	-455.70	0.05
11114	399.00	-82.90	104.70	-126.10	159.70	-147.10	186.50	-200.80	264.20	0.05	456.40
11115	426.90	-26.71	72.49	-40.74	110.25	-47.61	128.63	-67.41	175.57	0.05	265.51
11121	1101.20	-68.90	187.00	-105.10	284.40	-122.80	331.80	-173.90	452.90	0.05	684.90
11123	-697.80	-108.40	57.20	-165.50	87.00	-193.30	101.50	-273.80	138.50	-470.60	0.05
11124	470.49	-47.51	85.17	-72.23	129.95	-84.31	151.66	-115.07	213.68	0.05	355.06
11125	787.40	-121.70	218.40	-185.60	332.30	-216.60	387.70	-305.30	529.20	0.05	800.20
11131	378.90	-58.56	105.09	-89.31	159.90	-104.23	186.56	-146.91	254.65	0.05	385.06
11133	-839.40	-108.00	34.10	-164.70	51.90	-192.30	60.50	-270.90	82.60	-443.90	0.05
11134	712.41	-34.22	101.91	-52.03	155.27	-60.65	181.13	-82.86	253.54	0.05	401.11
11135	148.65	-84.23	112.00	-128.42	170.37	-149.77	198.79	-209.58	271.30	0.05	410.23
11141	319.60	-181.10	240.80	-276.10	366.30	-322.00	427.40	-450.60	583.30	0.05	882.00
11143	-880.50	-97.60	9.30	-148.70	14.10	-173.50	16.40	-242.80	22.40	-372.80	0.05
11144	723.02	-8.85	87.38	-13.51	133.09	-15.72	155.07	-21.52	214.83	0.05	314.57
11145	-236.10	-236.10	247.60	-359.50	376.60	-418.90	439.40	-584.70	599.80	-966.50	0.05
11151	-121.42	-121.42	127.34	-184.89	193.68	-215.43	225.98	-300.70	308.47	-497.06	0.05
11153	-814.10	-81.80	7.90	-124.60	11.90	-145.10	13.60	-201.10	15.60	-319.30	0.05
11154	706.80	-10.56	77.44	-15.84	117.84	-18.16	137.04	-22.16	187.36	0.05	285.52
11155	-295.41	-105.73	91.25	-160.82	138.83	-187.82	161.97	-260.32	221.07	-428.25	0.05
11161	-773.70	-276.90	239.00	-421.20	363.60	-491.90	424.20	-681.80	579.00	-1121.60	0.05
11163	-477.77	-47.30	14.44	-72.00	21.70	-83.72	24.91	-114.49	30.35	-198.84	0.05
11164	610.75	-27.43	67.18	-41.35	101.99	-47.55	118.43	-60.05	159.44	0.05	271.15
11165	-1224.00	-301.00	221.40	-458.20	336.70	-535.20	392.90	-738.10	536.20	-1212.80	0.05
11171	-499.20	-122.76	90.30	-186.87	137.32	-218.28	160.24	-301.03	218.69	-494.63	0.05
11173	-395.30	-43.36	20.39	-65.84	30.73	-76.46	35.39	-103.03	44.73	-181.71	0.05
11174	557.50	-43.90	70.30	-66.40	106.60	-76.70	123.50	-99.20	163.40	0.05	287.50
11175	-846.41	-167.93	108.24	-256.25	164.64	-298.72	192.09	-409.64	262.17	-677.03	0.05
11181	-1572.60	-312.00	201.10	-476.10	305.90	-555.00	356.90	-761.10	487.10	-1257.90	0.05
11183	-117.60	-80.20	0.05	-117.40	0.05	-128.30	0.05	-107.80	0.05	-141.20	0.05
11185	-1572.60	-312.00	201.10	-476.10	305.90	-555.00	356.90	-761.10	487.10	-1257.90	0.05
11191	-875.59	-173.71	111.97	-265.08	170.32	-309.01	198.71	-423.76	271.21	-700.37	0.05
11192	-347.70	-54.60	57.70	-82.60	87.40	-95.50	101.30	-123.70	133.80	-243.70	0.05
11193	149.30	-50.90	36.40	-77.30	54.80	-89.70	63.20	-120.70	79.60	0.05	168.40
11195	-935.84	-161.17	92.50	-245.32	140.71	-286.54	164.19	-395.22	224.14	-649.20	0.05
11201	-1793.70	-308.90	177.30	-470.20	269.70	-549.20	314.70	-757.50	429.60	-1244.30	0.05
11202	-79.70	-44.60	77.70	-67.90	118.00	-79.20	137.00	-108.10	184.40	-217.90	0.05
11203	-60.30	-67.20	35.10	-102.30	53.40	-119.00	62.20	-162.60	85.00	-214.90	0.05
11205	-1843.70	-285.10	148.70	-433.60	226.20	-506.50	263.90	-702.00	360.30	-1153.90	0.05
11211	-984.99	-152.31	79.44	-231.65	120.85	-270.60	140.99	-375.04	192.49	-616.47	0.05
11212	208.70	-51.00	97.70	-77.60	148.70	-90.50	172.90	-123.50	236.30	0.05	316.90
11213	-287.70	-83.60	40.30	-127.30	61.40	-148.40	71.60	-205.60	97.70	-292.60	0.05
11215	-855.55	-120.75	58.30	-183.95	88.65	-214.35	103.45	-299.10	141.20	-494.00	0.05
11221	-1711.10	-241.50	116.60	-367.90	177.30	-428.70	206.90	-598.20	282.40	-988.00	0.05
11222	471.90	-53.80	111.50	-81.90	169.80	-95.50	197.90	-130.40	274.20	0.05	401.20
11223	-373.22	-70.75	32.11	-107.93	48.86	-126.00	57.01	-176.84	77.88	-271.40	0.05
11225	-1424.50	-185.00	84.00	-282.20	127.80	-329.40	149.10	-462.30	203.60	-770.10	0.05
11231	-621.11	-80.66	36.63	-123.04	55.72	-143.62	65.01	-201.57	88.77	-335.78	0.05
11232	660.70	-52.30	115.00	-79.50	175.50	-92.70	204.80	-126.60	287.50	0.05	451.60
11233	-684.40	-101.50	44.10	-155.10	67.10	-181.30	78.20	-257.50	106.80	-421.80	0.05
11235	-410.28	-49.15	21.36	-75.10	32.47	-87.81	37.88	-124.72	51.72	-209.60	0.05
11241	-1052.70	-126.10	54.80	-192.70	83.30	-225.30	97.20	-320.00	132.70	-537.80	0.05

2010 NORTH TRUSS FORCES BASED ON 1996 LOAD RATING ANALYSIS FORCES

TRUSS MEMBER ENVELOPE FORCES TRANSFERRED TO GUSSET PLATE (KIPS)											
Member	Dead	2F1		3F1		4F1		5C1		(HS20-44)	
		Compr.	Tens.	Compr.	Tens.	Compr.	Tens.	Compr.	Tens.	Compr.	Tens.
11242	632.61	-39.06	90.04	-59.50	137.46	-69.35	160.72	-94.68	228.33	0.05	378.12
11243	-800.50	-98.50	41.60	-150.60	63.20	-176.40	73.80	-253.60	100.70	-439.60	0.05
11245	-669.10	-74.00	31.20	-113.10	47.50	-132.50	55.40	-190.50	75.60	-325.40	0.05
11251	-453.63	-50.17	21.15	-76.68	32.20	-89.83	37.56	-129.15	51.25	-220.61	0.05
11252	613.86	-31.28	74.17	-47.61	113.50	-55.59	132.85	-75.87	191.07	0.05	332.44
11253	-857.40	-88.60	37.00	-135.80	56.30	-159.30	65.60	-232.00	89.60	-430.20	0.05
11255	-217.73	-22.13	9.27	-33.93	14.07	-39.80	16.40	-57.93	22.40	-101.53	0.05
11261	-326.60	-33.20	13.90	-50.90	21.10	-59.70	24.60	-86.90	33.60	-152.30	0.05
11262	767.60	-32.80	78.60	-49.90	120.40	-58.20	141.30	-79.40	205.70	0.05	381.50
11263	-802.10	-72.30	30.10	-110.80	45.80	-130.10	53.40	-191.80	72.90	-368.70	0.05
11273	-492.50	-74.70	0.05	-113.70	0.05	-132.30	0.05	-180.50	0.05	-209.40	0.05
11274	522.50	0.05	86.50	0.05	131.30	0.05	152.30	0.05	202.20	0.05	237.90
11275	-312.20	-51.40	0.05	-78.00	0.05	-90.50	0.05	-120.10	0.05	-127.40	0.05
11281	-312.20	-51.40	0.05	-78.00	0.05	-90.50	0.05	-120.10	0.05	-127.40	0.05
11283	-414.10	-69.70	0.05	-105.70	0.05	-122.60	0.05	-162.70	0.05	-191.50	0.05
11284	380.40	-8.90	76.00	-12.40	115.00	-12.90	133.10	-10.70	171.10	0.05	186.00
11285	-523.20	-87.20	0.05	-131.90	0.05	-152.50	0.05	-197.70	0.05	-213.50	0.05
11291	-232.53	-38.76	0.05	-58.62	0.05	-67.78	0.05	-87.87	0.05	-94.89	0.05
11293	-309.90	-63.50	7.40	-96.00	10.30	-111.00	10.80	-142.80	9.00	-155.20	0.05
11294	244.30	-20.50	65.40	-30.00	98.50	-33.40	113.30	-29.30	140.20	0.05	147.60
11295	-337.29	-56.54	0.05	-85.14	0.05	-99.11	0.05	-127.04	0.05	-137.70	0.05
11301	-661.60	-110.90	0.05	-167.00	0.05	-194.40	0.05	-249.20	0.05	-270.10	0.05
11303	-191.70	-54.00	17.00	-81.30	24.80	-93.60	27.50	-115.70	24.20	-121.90	0.05
11304	104.20	-32.60	54.20	-48.40	81.20	-54.80	92.90	-57.80	108.60	0.05	120.20
11305	-722.10	-120.00	0.05	-182.20	0.05	-210.90	0.05	-266.90	0.05	-294.60	0.05
11311	-315.10	-52.36	0.05	-79.51	0.05	-92.03	0.05	-116.47	0.05	-128.55	0.05
11313	-116.00	-71.40	0.05	-104.70	0.05	-114.60	0.05	-97.50	0.05	-126.60	0.05
11315	-314.92	-52.32	0.05	-79.46	0.05	-91.99	0.05	-116.38	0.05	-128.47	0.05
11321	-721.70	-119.90	0.05	-182.10	0.05	-210.80	0.05	-266.70	0.05	-294.40	0.05
11322	52.80	-39.40	46.60	-58.50	69.80	-66.30	79.90	-70.20	93.00	0.05	103.30
11323	-150.80	-47.70	21.30	-71.90	31.10	-82.70	34.60	-102.20	30.40	-107.70	0.05
11325	-691.30	-115.50	0.05	-174.00	0.05	-202.70	0.05	-259.90	0.05	-281.50	0.05
11331	-363.84	-60.79	0.05	-91.58	0.05	-106.68	0.05	-136.79	0.05	-148.16	0.05
11332	202.60	-26.50	59.40	-38.70	89.50	-43.00	102.90	-37.80	127.10	0.05	134.00
11333	-281.10	-59.20	9.90	-89.50	13.80	-103.40	14.40	-132.50	12.00	-143.20	0.05
11335	-256.46	-42.79	0.05	-64.70	0.05	-74.76	0.05	-96.80	0.05	-104.34	0.05
11341	-571.20	-95.30	0.05	-144.10	0.05	-166.50	0.05	-215.60	0.05	-232.40	0.05
11342	363.70	-12.30	73.70	-17.20	111.40	-18.00	128.80	-14.90	165.10	0.05	178.40
11343	-401.10	-68.20	0.05	-103.40	0.05	-119.80	0.05	-158.00	0.05	-185.80	0.05
11345	-355.40	-59.00	0.05	-89.40	0.05	-103.60	0.05	-136.70	0.05	-144.70	0.05
11351	-355.40	-59.00	0.05	-89.40	0.05	-103.60	0.05	-136.70	0.05	-144.70	0.05
11352	545.70	0.05	90.20	0.05	136.70	0.05	158.40	0.05	209.00	0.05	245.70
11353	-477.30	-77.60	0.05	-118.00	0.05	-137.10	0.05	-185.40	0.05	-213.80	0.05
20003	-430.40	-85.80	0.05	-129.80	0.05	-150.10	0.05	-195.90	0.05	-207.40	0.05
20005	0.50	0.05	0.05	0.05	0.05	0.05	0.05	0.05	0.05	0.05	0.05
20011	0.50	0.05	0.05	0.05	0.05	0.05	0.05	0.05	0.05	0.05	0.05
20012	452.00	0.05	91.90	0.05	138.70	0.05	160.00	0.05	203.80	0.05	223.00
20013	-427.00	-87.90	0.05	-132.80	0.05	-153.20	0.05	-195.10	0.05	-213.50	0.05
20015	283.10	0.05	57.20	0.05	86.30	0.05	99.60	0.05	126.90	0.05	130.20
20021	168.33	0.05	34.01	0.05	51.31	0.05	59.22	0.05	75.45	0.05	77.42
20022	432.10	0.05	100.50	0.05	151.20	0.05	173.80	0.05	213.50	0.05	226.10
20023	-335.50	-81.30	1.60	-122.30	2.20	-140.60	2.20	-172.70	1.90	-182.90	0.05
20025	349.15	0.05	70.11	0.05	105.49	0.05	121.74	0.05	152.97	0.05	157.84
20031	284.06	0.05	57.04	0.05	85.82	0.05	99.04	0.05	124.45	0.05	128.42
20032	336.80	-5.40	97.70	-7.80	146.30	-8.70	167.20	-7.30	193.90	0.05	216.20

2010 NORTH TRUSS FORCES BASED ON 1996 LOAD RATING ANALYSIS FORCES

TRUSS MEMBER ENVELOPE FORCES TRANSFERRED TO GUSSET PLATE (KIPS)											
Member	Dead	2F1		3F1		4F1		5C1		(HS20-44)	
		Compr.	Tens.	Compr.	Tens.	Compr.	Tens.	Compr.	Tens.	Compr.	Tens.
20033	-204.50	-66.60	11.20	-99.70	16.40	-114.00	18.10	-132.20	15.30	-147.30	0.05
20035	406.26	0.05	80.93	0.05	122.10	0.05	141.49	0.05	175.42	0.05	181.68
20041	409.90	0.05	81.65	0.05	123.20	0.05	142.76	0.05	176.99	0.05	183.31
20042	153.00	-28.40	81.20	-42.20	120.60	-47.80	136.40	-49.60	141.60	0.05	174.30
20043	-6.30	-38.80	33.10	-57.60	49.20	-65.20	55.70	-67.70	57.80	-83.30	0.05
20045	449.64	0.05	89.59	0.05	135.14	0.05	156.61	0.05	194.18	0.05	201.07
20051	534.22	0.05	106.44	0.05	160.56	0.05	186.07	0.05	230.71	0.05	238.89
20052	-178.00	-75.00	41.90	-112.40	61.00	-128.40	67.60	-148.90	56.90	-166.00	0.05
20053	-108.00	-73.10	0.10	-107.10	0.10	-117.00	0.10	-98.30	0.10	-128.70	0.05
20054	426.80	-13.10	105.30	-17.90	158.50	-18.20	182.20	-16.00	223.80	0.05	237.10
20055	254.57	0.05	51.69	0.05	78.02	0.05	90.04	0.05	114.67	0.05	117.70
20061	327.25	0.05	66.44	0.05	100.30	0.05	115.74	0.05	147.40	0.05	151.30
20063	-367.40	-76.30	0.05	-115.20	0.05	-132.90	0.05	-169.30	0.05	-185.30	0.05
20064	583.60	0.05	118.80	0.05	179.40	0.05	207.00	0.05	263.60	0.05	288.40
20065	0.05	0.05	0.05	0.05	0.05	0.05	0.05	0.05	0.05	0.05	0.05
20071	0.05	0.05	0.05	0.05	0.05	0.05	0.05	0.05	0.05	0.05	0.05
20073	-473.70	-85.80	0.05	-129.80	0.05	-150.10	0.05	-195.90	0.05	-226.10	0.05
20074	561.70	0.05	99.70	0.05	150.90	0.05	174.60	0.05	227.80	0.05	262.90
20075	-422.90	-74.80	0.05	-113.10	0.05	-130.90	0.05	-170.80	0.05	-176.70	0.05
20081	-422.90	-74.80	0.05	-113.10	0.05	-130.90	0.05	-170.80	0.05	-176.70	0.05
20083	-495.80	-84.80	0.05	-127.50	0.05	-146.40	0.05	-190.10	0.05	-232.30	0.05
20084	471.00	0.05	85.00	0.05	126.70	0.05	144.10	0.05	182.40	0.05	223.40
20085	-757.10	-118.80	0.05	-179.70	0.05	-207.90	0.05	-271.60	0.05	-306.60	0.05
20091	-524.15	-82.25	0.05	-124.41	0.05	-143.93	0.05	-188.03	0.05	-212.26	0.05
20093	-476.40	-84.60	0.05	-126.90	0.05	-145.40	0.05	-176.40	0.05	-224.80	0.05
20094	360.60	0.05	76.20	0.05	113.40	0.05	128.60	0.05	142.30	0.05	179.30
20095	-762.52	-107.12	0.05	-162.08	0.05	-188.31	0.05	-249.67	0.05	-299.96	0.05
20101	-1011.50	-142.10	0.05	-215.00	0.05	-249.80	0.05	-331.20	0.05	-397.90	0.05
20103	-589.80	-86.40	25.50	-131.30	38.40	-152.50	44.70	-207.40	57.00	-312.60	0.05
20105	-1014.10	-142.90	0.05	-216.30	0.05	-251.20	0.05	-333.20	0.05	-400.20	0.05
20111	-756.79	-106.64	0.05	-161.42	0.05	-187.46	0.05	-248.66	0.05	-298.66	0.05
20112	196.40	-42.10	92.40	-63.80	140.30	-74.10	162.80	-98.20	219.10	0.05	282.50
20113	-306.10	-95.40	31.30	-144.80	47.20	-168.10	54.90	-226.20	70.10	-291.70	0.05
20115	-599.37	-113.26	37.96	-171.37	57.61	-199.02	66.88	-263.93	89.96	-339.02	0.05
20121	-597.87	-112.98	37.87	-170.94	57.47	-198.52	66.71	-263.27	89.74	-338.17	0.05
20122	247.10	-41.00	110.60	-61.70	167.70	-71.80	194.30	-91.60	258.10	0.05	320.10
20123	-316.40	-95.20	35.20	-144.30	53.10	-167.20	61.80	-222.10	78.80	-272.90	0.05
20125	-447.72	-122.08	81.63	-184.78	123.77	-214.56	143.45	-284.59	190.48	-395.27	0.05
20131	-430.30	-117.33	78.46	-177.59	118.96	-206.22	137.87	-273.52	183.07	-379.89	0.05
20132	291.30	-50.90	120.00	-76.70	181.60	-89.30	210.10	-113.90	274.10	0.05	325.00
20133	-275.20	-86.90	36.90	-131.50	55.50	-152.10	64.60	-198.40	82.50	-229.50	0.05
20135	-283.24	-125.02	125.02	-189.20	189.20	-219.78	219.78	-291.46	291.46	-443.87	0.05
20141	-325.73	-143.78	143.78	-217.58	217.58	-252.75	252.75	-335.18	335.18	-510.45	0.05
20142	255.80	-58.40	117.40	-87.90	177.30	-102.30	204.50	-130.60	260.50	0.05	286.60
20143	-205.20	-59.80	29.70	-90.20	44.70	-104.10	52.10	-132.50	66.40	-183.10	0.05
20145	-170.49	-141.96	188.54	-214.83	285.41	-249.53	332.50	-330.94	438.29	-563.09	0.05
20151	-159.78	-133.04	176.70	-201.34	267.48	-233.85	311.62	-310.16	410.76	-527.72	0.05
20152	152.20	-48.30	80.50	-72.70	121.10	-84.60	139.20	-108.00	171.00	0.05	238.20
20153	-109.70	-73.20	0.05	-107.20	0.05	-117.20	0.05	-98.40	0.05	-128.90	0.05
20154	22.40	-52.40	86.50	-79.30	130.20	-92.10	149.60	-122.20	183.90	0.05	231.20
20155	-84.91	-124.51	166.94	-187.48	252.72	-218.22	294.40	-278.49	388.11	-480.27	0.05
20161	-83.62	-122.62	164.39	-184.62	248.87	-214.90	289.92	-274.26	382.20	-472.96	0.05
20163	-124.70	-63.70	32.00	-96.10	48.40	-110.90	56.20	-141.30	74.50	-179.60	0.05
20164	148.80	-63.60	126.60	-96.20	191.20	-111.70	220.50	-148.20	280.90	0.05	318.70
20165	-179.29	-130.18	131.42	-196.01	198.92	-228.11	231.03	-291.16	306.34	-433.75	0.05

2010 NORTH TRUSS FORCES BASED ON 1996 LOAD RATING ANALYSIS FORCES

Member	TRUSS MEMBER ENVELOPE FORCES TRANSFERRED TO GUSSET PLATE (KIPS)										
	Dead	2F1		3F1		4F1		5C1		(HS20-44)	
		Compr.	Tens.	Compr.	Tens.	Compr.	Tens.	Compr.	Tens.	Compr.	Tens.
20171	-159.71	-115.96	117.07	-174.59	177.19	-203.19	205.79	-259.35	272.87	-386.36	0.05
20173	-207.20	-94.00	40.30	-142.20	60.90	-164.50	70.80	-214.60	93.90	-251.30	0.05
20174	203.40	-53.10	124.00	-80.40	187.60	-93.40	217.00	-123.90	283.20	0.05	340.60
20175	-281.26	-112.42	75.95	-169.26	115.08	-197.05	133.35	-251.44	177.10	-330.33	0.05
20181	-251.13	-100.38	67.81	-151.13	102.75	-175.94	119.06	-224.50	158.13	-294.94	0.05
20183	-258.10	-100.90	37.70	-152.90	57.10	-177.20	66.30	-235.30	87.90	-290.30	0.05
20184	187.40	-44.10	109.50	-66.40	165.90	-77.30	192.30	-98.60	255.40	0.05	318.00
20185	-357.63	-91.39	30.94	-137.61	46.93	-160.16	54.47	-204.36	73.32	-240.44	0.05
20191	-397.84	-101.66	34.42	-153.08	52.21	-178.17	60.59	-227.34	81.56	-267.47	0.05
20193	-264.90	-98.10	35.00	-148.90	52.80	-172.80	61.40	-232.60	78.40	-299.90	0.05
20194	128.46	-34.93	67.37	-52.55	102.30	-61.17	118.71	-78.03	159.76	0.05	205.96
20195	-479.50	-86.38	0.05	-130.06	0.05	-151.41	0.05	-193.27	0.05	-206.15	0.05
20201	-685.00	-123.40	0.05	-185.80	0.05	-216.30	0.05	-276.10	0.05	-294.50	0.05
20203	-507.10	-86.40	25.70	-131.30	38.90	-152.50	45.20	-207.40	60.00	-307.40	0.05
20205	-687.50	-124.40	0.05	-187.30	0.05	-218.10	0.05	-278.30	0.05	-296.90	0.05
20211	-434.21	-78.57	0.05	-118.29	0.05	-137.75	0.05	-175.77	0.05	-187.52	0.05
20212	258.50	0.05	70.00	0.05	103.80	0.05	117.30	0.05	124.60	0.05	149.50
20213	-365.80	-84.00	0.05	-125.60	0.05	-143.30	0.05	-166.60	0.05	-194.40	0.05
20215	-350.75	-72.97	0.05	-109.77	0.05	-126.68	0.05	-159.10	0.05	-164.17	0.05
20221	-504.20	-104.90	0.05	-157.80	0.05	-182.10	0.05	-228.70	0.05	-236.00	0.05
20222	313.70	0.05	75.90	0.05	112.30	0.05	126.90	0.05	152.90	0.05	170.60
20223	-379.50	-84.50	0.05	-126.70	0.05	-145.10	0.05	-181.60	0.05	-199.90	0.05
20225	-276.50	-67.30	0.05	-101.20	0.05	-116.30	0.05	-143.00	0.05	-151.40	0.05
20231	-276.50	-67.30	0.05	-101.20	0.05	-116.30	0.05	-143.00	0.05	-151.40	0.05
20232	373.50	0.05	91.00	0.05	136.90	0.05	157.40	0.05	193.40	0.05	204.80
20233	-341.90	-84.90	0.05	-127.80	0.05	-146.90	0.05	-180.50	0.05	-191.20	0.05
20235	0.05	0.05	0.05	0.05	0.05	0.05	0.05	0.05	0.05	0.05	0.05
20241	0.05	0.05	0.05	0.05	0.05	0.05	0.05	0.05	0.05	0.05	0.05
20242	353.60	0.05	103.60	0.05	155.10	0.05	177.20	0.05	205.50	0.05	229.10
20243	-230.90	-69.30	0.05	-103.80	0.05	-118.70	0.05	-137.60	0.05	-153.40	0.05
20245	271.70	0.05	79.30	0.05	118.70	0.05	135.70	0.05	157.40	0.05	175.40
20251	192.28	0.05	56.12	0.05	84.00	0.05	96.03	0.05	111.39	0.05	124.13
20252	191.70	-20.20	80.20	-27.70	119.10	-28.10	134.70	-24.70	139.80	0.05	172.10
20253	-107.00	-73.20	0.05	-107.20	0.05	-117.20	0.05	-98.40	0.05	-128.90	0.05
20254	37.70	-40.10	58.00	-58.50	84.60	-64.80	93.70	-54.50	78.90	0.05	116.40
20255	258.74	0.05	74.26	0.05	110.87	0.05	128.05	0.05	145.69	0.05	161.74
20261	263.58	0.05	75.65	0.05	112.94	0.05	130.44	0.05	148.41	0.05	164.77
20263	-132.50	-56.80	11.60	-84.30	15.80	-95.40	16.10	-99.10	14.10	-121.90	0.05
20264	243.40	-4.50	90.40	-6.10	134.20	-6.20	151.80	-5.50	159.80	0.05	193.90
20265	149.82	0.05	43.58	0.05	65.26	0.05	74.60	0.05	86.53	0.05	96.42
20271	145.02	0.05	42.18	0.05	63.17	0.05	72.20	0.05	83.75	0.05	93.33
20273	-270.60	-80.80	0.05	-121.00	0.05	-138.30	0.05	-160.30	0.05	-178.70	0.05
20274	312.40	0.05	91.10	0.05	136.50	0.05	156.00	0.05	180.80	0.05	201.60
20275	0.05	0.05	0.05	0.05	0.05	0.05	0.05	0.05	0.05	0.05	0.05
20281	0.05	0.05	0.05	0.05	0.05	0.05	0.05	0.05	0.05	0.05	0.05
20283	-345.30	-84.90	0.05	-127.80	0.05	-146.90	0.05	-180.50	0.05	-191.20	0.05
20284	309.50	0.05	74.10	0.05	111.60	0.05	128.20	0.05	157.60	0.05	166.90
20285	-200.80	-47.60	0.05	-71.60	0.05	-82.30	0.05	-101.20	0.05	-107.20	0.05
20291	-200.80	-47.60	0.05	-71.60	0.05	-82.30	0.05	-101.20	0.05	-107.20	0.05
20293	-372.00	-83.80	0.05	-125.00	0.05	-142.40	0.05	-175.90	0.05	-194.60	0.05
20294	274.60	0.05	66.00	0.05	97.40	0.05	110.20	0.05	130.70	0.05	146.40
20295	-377.30	-76.00	0.05	-114.40	0.05	-132.00	0.05	-165.80	0.05	-171.10	0.05
20301	-377.30	-76.00	0.05	-114.40	0.05	-132.00	0.05	-165.80	0.05	-171.10	0.05
20303	-690.20	-86.40	17.10	-131.30	25.80	-152.50	29.80	-207.40	38.30	-311.20	0.05
20305	-377.80	-76.70	0.05	-115.40	0.05	-133.10	0.05	-167.20	0.05	-172.60	0.05

2010 NORTH TRUSS FORCES BASED ON 1996 LOAD RATING ANALYSIS FORCES

TRUSS MEMBER ENVELOPE FORCES TRANSFERRED TO GUSSET PLATE (KIPS)											
Member	Dead	2F1		3F1		4F1		5C1		(HS20-44)	
		Compr.	Tens.	Compr.	Tens.	Compr.	Tens.	Compr.	Tens.	Compr.	Tens.
20311	-377.80	-76.70	0.05	-115.40	0.05	-133.10	0.05	-167.20	0.05	-172.60	0.05
20312	338.50	-34.00	86.10	-51.20	130.60	-59.10	151.60	-74.20	204.00	0.05	263.00
20313	-450.30	-99.40	25.90	-150.80	39.00	-175.10	45.00	-235.60	56.50	-303.80	0.05
20315	-166.60	-86.40	43.80	-130.00	66.60	-150.00	77.20	-188.40	103.90	-204.00	0.05
20321	-166.60	-86.40	43.80	-130.00	66.60	-150.00	77.20	-188.40	103.90	-204.00	0.05
20322	398.80	-31.20	106.00	-46.90	160.70	-54.10	186.30	-68.00	247.40	0.05	308.70
20323	-437.40	-102.30	25.40	-155.00	38.40	-179.70	44.30	-238.60	56.90	-294.70	0.05
20325	87.30	-98.20	99.40	-147.70	150.70	-170.50	174.70	-214.10	232.00	0.05	277.60
20331	53.18	-59.82	60.55	-89.98	91.81	-103.87	106.43	-130.43	141.33	0.05	169.11
20332	430.60	-33.90	119.30	-51.30	180.50	-59.10	208.70	-76.10	272.40	0.05	328.60
20333	-360.20	-92.30	26.30	-139.70	39.70	-161.60	45.80	-210.80	58.90	-246.20	0.05
20335	192.65	-55.19	83.59	-83.04	126.51	-95.87	146.95	-120.42	194.88	0.05	234.09
20341	172.05	-49.29	74.65	-74.15	112.98	-85.62	131.23	-107.54	174.04	0.05	209.06
20342	363.00	-38.70	116.10	-58.50	175.30	-67.50	202.20	-86.80	257.60	0.05	290.30
20343	-189.20	-60.50	20.20	-91.40	30.50	-105.40	35.20	-134.30	45.20	-162.00	0.05
20345	231.16	-40.10	80.64	-60.34	122.08	-69.62	142.20	-87.44	187.45	0.05	226.73
20351	294.30	-51.06	102.67	-76.82	155.42	-88.64	181.04	-111.33	238.65	0.05	288.66
20352	115.30	-37.10	75.80	-55.50	114.10	-63.50	131.20	-73.60	161.20	0.05	189.10
20353	-111.10	-73.20	0.05	-107.20	0.05	-117.20	0.05	-98.40	0.05	-128.90	0.05
20354	186.50	-34.90	87.40	-52.60	131.50	-60.70	151.10	-76.20	185.70	0.05	210.40
20355	267.73	-48.69	97.34	-73.51	147.34	-84.81	171.67	-109.13	226.26	0.05	273.68
20361	248.70	-45.23	90.42	-68.29	136.87	-78.78	159.46	-101.38	210.17	0.05	254.22
20363	-236.70	-69.10	22.90	-104.30	34.50	-120.40	39.80	-153.30	50.00	-179.50	0.05
20364	399.40	-40.40	121.80	-60.70	183.80	-70.10	212.10	-88.00	270.10	0.05	311.40
20365	140.86	-46.16	69.54	-69.72	105.22	-80.48	122.22	-103.53	162.09	0.05	194.72
20371	204.01	-66.86	100.72	-100.98	152.39	-116.56	177.01	-149.95	234.76	0.05	282.02
20373	-389.50	-98.20	27.80	-148.70	41.80	-172.00	48.30	-224.40	60.60	-264.40	0.05
20374	432.90	-35.10	124.10	-52.80	187.80	-61.00	217.20	-76.60	283.40	0.05	347.00
20375	19.65	-63.07	63.50	-95.25	96.24	-109.91	111.55	-141.38	148.14	0.05	177.25
20381	19.65	-63.07	63.50	-95.25	96.24	-109.91	111.55	-141.38	148.14	0.05	177.25
20383	-449.30	-109.40	27.00	-165.80	40.60	-192.20	46.90	-255.20	58.90	-316.50	0.05
20384	377.00	-33.00	103.50	-49.80	156.90	-57.50	181.80	-73.90	241.50	0.05	301.80
20385	-140.39	-53.34	26.95	-80.56	40.83	-92.93	47.40	-119.60	63.84	-135.90	0.05
20391	-203.20	-77.20	39.00	-116.60	59.10	-134.50	68.60	-173.10	92.40	-196.70	0.05
20393	-446.60	-100.60	28.40	-152.70	42.90	-177.20	49.50	-238.40	63.70	-307.50	0.05
20394	304.00	-37.00	84.10	-55.90	127.60	-64.50	148.10	-83.00	199.40	0.05	257.10
20395	-406.10	-70.50	0.05	-106.40	0.05	-122.80	0.05	-158.00	0.05	-167.50	0.05
20401	-406.10	-70.50	0.05	-106.40	0.05	-122.80	0.05	-158.00	0.05	-167.50	0.05
20403	-686.00	-86.40	17.00	-131.30	25.60	-152.50	29.50	-207.40	37.10	-301.10	0.05
20405	-406.10	-71.10	0.05	-107.40	0.05	-123.90	0.05	-159.40	0.05	-169.00	0.05
20411	-406.10	-71.10	0.05	-107.40	0.05	-123.90	0.05	-159.40	0.05	-169.00	0.05
20412	276.50	0.05	61.50	0.05	90.40	0.05	102.40	0.05	121.00	0.05	142.30
20413	-417.50	-83.50	0.05	-124.50	0.05	-141.50	0.05	-177.10	0.05	-206.30	0.05
20415	-215.00	-43.30	0.05	-65.30	0.05	-75.40	0.05	-96.10	0.05	-98.60	0.05
20421	-215.00	-43.30	0.05	-65.30	0.05	-75.40	0.05	-96.10	0.05	-98.60	0.05
20422	344.00	0.05	69.30	0.05	104.60	0.05	120.70	0.05	153.90	0.05	168.40
20423	-417.30	-85.50	0.05	-129.00	0.05	-148.90	0.05	-189.90	0.05	-207.80	0.05
20425	0.05	0.05	0.05	0.05	0.05	0.05	0.05	0.05	0.05	0.05	0.05
20431	0.05	0.05	0.05	0.05	0.05	0.05	0.05	0.05	0.05	0.05	0.05
20432	382.80	0.05	90.50	0.05	136.20	0.05	156.50	0.05	192.40	0.05	203.80
20433	-356.60	-85.90	0.05	-129.20	0.05	-148.60	0.05	-182.60	0.05	-193.40	0.05
20435	250.40	0.05	58.80	0.05	88.50	0.05	101.80	0.05	125.10	0.05	132.50
20441	175.04	0.05	41.10	0.05	61.86	0.05	71.16	0.05	87.45	0.05	92.62
20442	343.80	0.05	96.60	0.05	144.70	0.05	165.40	0.05	191.80	0.05	213.80
20443	-203.60	-63.50	9.00	-95.10	12.30	-108.70	12.50	-126.10	11.00	-140.50	0.05

2010 NORTH TRUSS FORCES BASED ON 1996 LOAD RATING ANALYSIS FORCES

TRUSS MEMBER ENVELOPE FORCES TRANSFERRED TO GUSSET PLATE (KIPS)											
Member	Dead	2F1		3F1		4F1		5C1		(HS20-44)	
		Compr.	Tens.	Compr.	Tens.	Compr.	Tens.	Compr.	Tens.	Compr.	Tens.
20445	332.86	0.05	77.91	0.05	116.62	0.05	134.93	0.05	163.09	0.05	172.28
20451	264.11	0.05	61.82	0.05	92.53	0.05	107.06	0.05	129.41	0.05	136.70
20452	137.00	-28.90	68.80	-42.10	102.10	-46.60	115.60	-39.30	120.70	0.05	147.70
20453	-109.70	-72.70	0.05	-106.40	0.05	-116.30	0.05	-97.70	0.05	-128.00	0.05
20454	135.80	-27.90	69.70	-40.80	103.50	-45.20	117.10	-38.80	121.70	0.05	149.70
20455	253.16	0.05	58.37	0.05	87.48	0.05	101.21	0.05	122.84	0.05	129.50
20461	333.74	0.05	76.95	0.05	115.33	0.05	133.43	0.05	161.94	0.05	170.72
20463	-202.00	-63.10	8.80	-94.50	12.20	-108.10	12.60	-125.80	10.70	-139.80	0.05
20464	345.00	0.05	96.00	0.05	143.90	0.05	164.60	0.05	191.60	0.05	213.00
20465	180.91	0.05	41.41	0.05	62.43	0.05	71.88	0.05	88.93	0.05	93.61
20471	180.91	0.05	41.41	0.05	62.43	0.05	71.88	0.05	88.93	0.05	93.61
20473	-357.20	-83.90	0.05	-126.40	0.05	-145.50	0.05	-180.10	0.05	-189.60	0.05
20474	384.90	0.05	88.40	0.05	133.20	0.05	153.30	0.05	189.80	0.05	199.80
20475	0.05	0.05	0.05	0.05	0.05	0.05	0.05	0.05	0.05	0.05	0.05
20481	0.05	0.05	0.05	0.05	0.05	0.05	0.05	0.05	0.05	0.05	0.05
20483	-413.20	-81.00	0.05	-122.50	0.05	-141.70	0.05	-182.80	0.05	-202.80	0.05
20484	345.00	0.05	66.10	0.05	100.00	0.05	115.60	0.05	149.10	0.05	165.40
20485	-226.60	-42.90	0.05	-64.80	0.05	-75.00	0.05	-96.70	0.05	-98.20	0.05
20491	-226.60	-42.90	0.05	-64.80	0.05	-75.00	0.05	-96.70	0.05	-98.20	0.05
20493	-414.70	-81.90	0.05	-122.10	0.05	-138.70	0.05	-172.10	0.05	-203.90	0.05
20494	268.40	0.05	60.40	0.05	88.60	0.05	100.40	0.05	115.10	0.05	137.90
20495	-417.30	-68.70	0.05	-103.90	0.05	-120.10	0.05	-156.50	0.05	-168.80	0.05
20501	-417.30	-68.70	0.05	-103.90	0.05	-120.10	0.05	-156.50	0.05	-168.80	0.05
20503	-602.71	-62.36	14.93	-95.00	22.57	-110.79	26.21	-155.07	34.21	-252.29	0.05
20505	-392.20	-65.10	0.05	-98.50	0.05	-113.90	0.05	-148.30	0.05	-160.00	0.05
20511	-392.20	-65.10	0.05	-98.50	0.05	-113.90	0.05	-148.30	0.05	-160.00	0.05
20512	458.40	-33.00	86.50	-49.90	131.70	-57.60	153.50	-75.10	213.00	0.05	308.40
20513	-609.30	-103.00	27.70	-157.00	41.90	-182.90	48.40	-253.90	63.10	-367.60	0.05
20515	-148.30	-71.70	37.00	-108.50	56.40	-125.40	65.80	-163.30	91.30	-195.00	0.05
20521	-148.30	-71.70	37.00	-108.50	56.40	-125.40	65.80	-163.30	91.30	-195.00	0.05
20522	406.29	-23.63	81.29	-35.71	123.65	-41.22	143.92	-53.76	197.37	0.05	274.99
20523	-617.30	-113.00	31.40	-172.00	47.30	-200.10	55.10	-274.50	71.80	-379.90	0.05
20525	135.50	-80.40	84.60	-121.60	128.60	-140.60	149.70	-183.10	205.40	0.05	275.70
20531	69.78	-41.40	43.57	-62.62	66.23	-72.40	77.09	-94.29	105.77	0.05	141.98
20532	502.64	-32.05	105.45	-48.45	160.14	-56.31	186.12	-73.49	251.83	0.05	339.94
20533	-557.20	-110.00	33.50	-167.00	50.50	-194.10	58.70	-262.60	76.60	-346.70	0.05
20535	242.86	-46.40	74.10	-70.14	112.52	-81.11	130.75	-105.67	177.36	0.05	239.67
20541	194.84	-37.22	59.45	-56.27	90.27	-65.07	104.90	-84.78	142.29	0.05	192.28
20542	471.65	-36.59	107.67	-55.23	163.32	-64.16	189.37	-83.72	252.18	0.05	324.78
20543	-448.40	-102.70	34.80	-155.70	52.60	-180.50	61.20	-240.40	79.80	-299.80	0.05
20545	323.79	-38.17	81.87	-57.72	124.14	-66.73	144.59	-86.95	195.67	0.05	263.77
20551	332.87	-39.24	84.17	-59.34	127.62	-68.60	148.64	-89.39	201.16	0.05	271.17
20552	458.80	-49.10	126.90	-74.10	192.00	-86.10	222.20	-112.40	290.00	0.05	350.50
20553	-204.70	-67.60	26.10	-102.30	39.50	-118.40	45.90	-154.50	59.90	-190.80	0.05
20555	485.25	-44.53	115.17	-67.24	174.79	-78.17	203.84	-101.98	274.27	0.05	371.02
20561	445.60	-40.89	105.76	-61.74	160.51	-71.78	187.18	-93.65	251.85	0.05	340.70
20562	119.70	-37.80	83.60	-57.00	126.20	-66.30	145.60	-86.50	185.10	0.05	219.40
20563	-119.90	-78.80	0.05	-115.40	0.05	-126.20	0.05	-106.00	0.05	-138.80	0.05
20564	241.20	-36.30	83.60	-54.60	126.10	-62.80	145.50	-76.90	184.80	0.05	232.80
20565	446.70	-62.20	115.15	-93.87	174.80	-109.16	203.84	-142.45	274.28	0.05	371.38
20571	490.98	-68.37	126.56	-103.18	192.13	-119.98	224.05	-156.57	301.47	0.05	408.19
20573	-287.90	-66.90	19.70	-101.30	29.40	-117.20	33.60	-152.90	40.60	-198.30	0.05
20574	443.31	-27.50	103.36	-41.62	156.42	-48.11	180.92	-62.72	236.09	0.05	284.37
20575	299.76	-62.87	93.13	-94.90	141.24	-110.36	164.54	-143.99	222.76	0.05	300.69
20581	303.06	-63.56	94.15	-95.94	142.80	-111.58	166.36	-145.57	225.21	0.05	304.00

2010 NORTH TRUSS FORCES BASED ON 1996 LOAD RATING ANALYSIS FORCES

TRUSS MEMBER ENVELOPE FORCES TRANSFERRED TO GUSSET PLATE (KIPS)											
Member	Dead	2F1		3F1		4F1		5C1		(HS20-44)	
		Compr.	Tens.	Compr.	Tens.	Compr.	Tens.	Compr.	Tens.	Compr.	Tens.
20583	-508.00	-102.00	23.90	-154.80	36.10	-179.50	41.80	-239.10	54.40	-297.30	0.05
20584	455.85	-22.36	95.64	-33.84	145.07	-39.14	168.25	-50.99	224.16	0.05	288.19
20585	127.30	-58.54	64.86	-88.37	98.50	-102.75	114.44	-134.02	155.38	0.05	210.39
20591	135.33	-62.24	68.95	-93.95	104.71	-109.24	121.67	-142.48	165.19	0.05	223.67
20593	-593.10	-109.40	23.00	-166.30	34.70	-193.20	40.20	-261.60	52.30	-344.80	0.05
20594	469.74	-29.92	98.05	-45.08	148.97	-52.42	173.13	-68.45	234.39	0.05	316.26
20595	-34.47	-61.97	45.69	-93.51	69.52	-108.72	80.90	-141.86	111.01	-176.70	0.05
20601	-64.80	-116.50	85.90	-175.80	130.70	-204.40	152.10	-266.70	208.70	-332.20	0.05
20603	-619.70	-112.70	31.40	-171.50	47.30	-199.60	55.10	-274.00	71.80	-379.10	0.05
20604	370.97	-34.80	79.91	-52.53	121.60	-61.14	141.56	-79.76	194.24	0.05	270.88
20605	-352.50	-104.10	39.00	-157.20	59.50	-182.70	69.30	-238.40	96.30	-282.60	0.05
20611	-352.50	-104.10	39.00	-157.20	59.50	-182.70	69.30	-238.40	96.30	-282.60	0.05
20613	-578.50	-103.60	41.80	-157.80	63.10	-183.90	73.30	-255.40	95.70	-371.20	0.05
20614	406.20	-47.60	86.20	-71.90	131.40	-83.60	153.10	-109.10	212.70	0.05	309.00
20615	-604.60	-92.60	0.05	-139.70	0.05	-162.50	0.05	-212.00	0.05	-239.90	0.05
20621	-604.60	-92.60	0.05	-139.70	0.05	-162.50	0.05	-212.00	0.05	-239.90	0.05
20623	-770.70	-85.70	27.80	-130.70	42.00	-152.50	48.40	-214.20	61.70	-352.80	0.05
20625	-617.20	-95.20	0.05	-143.70	0.05	-167.10	0.05	-218.00	0.05	-246.70	0.05
20631	-617.20	-95.20	0.05	-143.70	0.05	-167.10	0.05	-218.00	0.05	-246.70	0.05
20632	249.40	0.05	63.00	0.05	93.30	0.05	105.40	0.05	109.50	0.05	133.60
20633	-417.20	-82.80	0.05	-123.90	0.05	-141.50	0.05	-165.70	0.05	-201.80	0.05
20635	-427.20	-74.80	0.05	-112.90	0.05	-130.20	0.05	-167.40	0.05	-177.40	0.05
20641	-427.20	-74.80	0.05	-112.90	0.05	-130.20	0.05	-167.40	0.05	-177.40	0.05
20642	325.30	0.05	66.90	0.05	99.20	0.05	112.00	0.05	137.80	0.05	161.00
20643	-430.70	-83.00	0.05	-124.20	0.05	-142.00	0.05	-180.00	0.05	-209.00	0.05
20645	-228.20	-46.00	0.05	-69.50	0.05	-80.10	0.05	-102.10	0.05	-104.80	0.05
20651	-228.20	-46.00	0.05	-69.50	0.05	-80.10	0.05	-102.10	0.05	-104.80	0.05
20652	370.60	0.05	74.80	0.05	113.00	0.05	130.30	0.05	166.00	0.05	181.60
20653	-410.10	-84.20	0.05	-127.10	0.05	-146.60	0.05	-186.70	0.05	-204.30	0.05
20655	0.05	0.05	0.05	0.05	0.05	0.05	0.05	0.05	0.05	0.05	0.05
20661	0.05	0.05	0.05	0.05	0.05	0.05	0.05	0.05	0.05	0.05	0.05
20662	376.50	0.05	89.60	0.05	134.90	0.05	155.00	0.05	190.50	0.05	201.80
20663	-335.10	-81.10	0.05	-122.10	0.05	-140.30	0.05	-172.40	0.05	-182.60	0.05
20665	244.60	0.05	58.20	0.05	87.50	0.05	100.60	0.05	123.60	0.05	130.90
20671	170.55	0.05	40.58	0.05	61.01	0.05	70.14	0.05	86.18	0.05	91.27
20672	310.50	-3.10	89.50	-4.20	134.00	-4.30	153.10	-3.80	177.60	0.05	198.00
20673	-186.40	-59.40	10.30	-88.90	14.00	-101.60	14.30	-117.80	12.60	-131.30	0.05
20675	291.40	0.05	68.84	0.05	103.13	0.05	119.31	0.05	144.17	0.05	152.33
20681	252.60	0.05	59.67	0.05	89.39	0.05	103.43	0.05	124.97	0.05	132.04
20682	107.80	-32.00	62.20	-46.70	92.30	-51.70	104.40	-43.50	108.40	0.05	133.40
20683	-109.30	-72.10	0.05	-105.60	0.05	-115.40	0.05	-97.00	0.05	-127.00	0.05
20684	118.70	-30.00	64.50	-43.70	95.80	-48.40	108.40	-40.80	112.50	0.05	138.40
20685	226.58	0.05	53.48	0.05	80.09	0.05	92.67	0.05	111.98	0.05	118.32
20691	287.07	0.05	67.75	0.05	101.47	0.05	117.40	0.05	141.88	0.05	149.91
20693	-192.70	-61.10	9.50	-91.40	13.00	-104.50	13.30	-121.10	11.70	-135.10	0.05
20694	313.30	-2.60	90.10	-3.50	134.90	-3.60	154.20	-3.10	178.80	0.05	199.30
20695	166.43	0.05	39.60	0.05	59.54	0.05	68.47	0.05	84.09	0.05	89.11
20701	183.06	0.05	43.56	0.05	65.49	0.05	75.31	0.05	92.49	0.05	98.01
20703	-336.80	-81.60	0.05	-122.70	0.05	-141.10	0.05	-173.40	0.05	-183.60	0.05
20704	376.90	0.05	89.60	0.05	134.80	0.05	155.00	0.05	190.40	0.05	201.70
20705	0.05	0.05	0.05	0.05	0.05	0.05	0.05	0.05	0.05	0.05	0.05
20711	0.05	0.05	0.05	0.05	0.05	0.05	0.05	0.05	0.05	0.05	0.05
20713	-409.90	-84.20	0.05	-127.10	0.05	-146.60	0.05	-186.70	0.05	-204.30	0.05
20714	371.90	0.05	74.70	0.05	112.80	0.05	130.20	0.05	165.80	0.05	181.40
20715	-223.80	-44.60	0.05	-67.30	0.05	-77.60	0.05	-98.80	0.05	-101.40	0.05

2010 NORTH TRUSS FORCES BASED ON 1996 LOAD RATING ANALYSIS FORCES

TRUSS MEMBER ENVELOPE FORCES TRANSFERRED TO GUSSET PLATE (KIPS)											
Member	Dead	2F1		3F1		4F1		5C1		(HS20-44)	
		Compr.	Tens.	Compr.	Tens.	Compr.	Tens.	Compr.	Tens.	Compr.	Tens.
20721	-223.80	-44.60	0.05	-67.30	0.05	-77.60	0.05	-98.80	0.05	-101.40	0.05
20723	-433.50	-83.00	0.05	-124.20	0.05	-142.00	0.05	-179.90	0.05	-208.90	0.05
20724	331.50	0.05	67.20	0.05	99.60	0.05	112.60	0.05	138.60	0.05	161.90
20725	-420.60	-72.50	0.05	-109.50	0.05	-126.40	0.05	-162.40	0.05	-172.10	0.05
20731	-420.60	-72.50	0.05	-109.50	0.05	-126.40	0.05	-162.40	0.05	-172.10	0.05
20733	-422.70	-82.90	0.05	-124.00	0.05	-141.60	0.05	-166.20	0.05	-202.30	0.05
20734	255.20	0.05	63.30	0.05	93.70	0.05	105.90	0.05	110.30	0.05	134.30
20735	-612.80	-92.90	0.05	-140.20	0.05	-163.00	0.05	-212.70	0.05	-240.70	0.05
20741	-612.80	-92.90	0.05	-140.20	0.05	-163.00	0.05	-212.70	0.05	-240.70	0.05
20743	-770.50	-84.50	33.00	-128.80	49.80	-150.10	57.50	-210.60	74.20	-402.90	0.05
20745	-604.70	-92.40	0.05	-139.40	0.05	-162.10	0.05	-211.50	0.05	-239.40	0.05
20751	-604.70	-92.40	0.05	-139.40	0.05	-162.10	0.05	-211.50	0.05	-239.40	0.05
20752	386.40	-52.50	82.90	-79.20	126.30	-92.10	147.20	-120.20	206.30	0.05	358.60
20753	-578.80	-97.60	41.70	-148.80	62.90	-173.50	73.20	-243.10	95.50	-422.50	0.05
20755	-361.70	-100.30	33.30	-151.40	50.70	-176.00	59.10	-229.60	82.80	-299.40	0.05
20761	-361.70	-100.30	33.30	-151.40	50.70	-176.00	59.10	-229.60	82.80	-299.40	0.05
20762	488.80	-45.70	99.70	-68.90	151.90	-80.10	177.00	-104.60	247.00	0.05	416.80
20763	-601.50	-106.60	44.60	-162.40	67.80	-189.30	79.10	-264.10	107.90	-443.70	0.05
20765	-100.50	-112.90	74.90	-170.50	114.00	-198.20	132.90	-258.60	185.50	-388.00	0.05
20771	-100.50	-112.90	74.90	-170.50	114.00	-198.20	132.90	-258.60	185.50	-388.00	0.05
20772	446.06	-41.78	92.82	-63.61	141.25	-74.15	164.54	-101.25	228.47	0.05	376.05
20773	-575.60	-108.00	48.70	-164.50	74.00	-191.60	86.40	-266.10	117.90	-432.30	0.05
20775	203.60	-127.90	127.10	-193.10	193.50	-224.50	225.30	-292.90	312.90	0.05	516.50
20781	108.84	-68.37	67.94	-103.22	103.44	-120.01	120.44	-156.57	167.26	0.05	276.10
20782	452.96	-48.97	100.22	-74.47	152.53	-86.94	177.55	-118.64	245.18	0.05	391.27
20783	-476.90	-97.90	47.80	-149.00	72.70	-173.40	84.90	-239.40	115.80	-370.60	0.05
20785	260.86	-69.10	91.42	-104.28	139.13	-121.29	161.93	-158.23	224.50	0.05	372.06
20791	251.64	-66.66	88.19	-100.60	134.21	-117.00	156.21	-152.64	216.57	0.05	358.91
20792	389.93	-52.58	98.53	-79.97	149.86	-93.32	174.30	-127.43	238.98	0.05	359.94
20793	-327.80	-83.00	44.30	-126.10	67.30	-146.70	78.60	-201.20	107.20	-289.10	0.05
20795	388.47	-69.46	114.75	-104.88	174.48	-121.92	203.62	-159.07	282.10	0.05	467.61
20801	426.66	-76.28	126.03	-115.19	191.63	-133.90	223.63	-174.70	309.83	0.05	513.58
20802	281.80	-60.40	102.80	-91.90	156.10	-107.20	181.40	-146.40	246.70	0.05	336.40
20803	-148.50	-64.20	37.80	-97.60	57.40	-113.40	67.00	-154.20	91.50	-225.50	0.05
20805	516.41	-86.86	147.77	-132.15	224.55	-154.17	262.54	-210.44	362.85	0.05	603.12
20811	480.36	-80.79	137.45	-122.93	208.88	-143.41	244.21	-195.75	337.52	0.05	561.02
20812	39.20	-52.50	80.20	-79.90	121.80	-93.20	141.30	-127.20	190.20	0.05	266.00
20813	17.30	-50.80	33.20	-77.00	50.50	-89.40	59.00	-120.30	80.50	0.05	166.90
20815	485.58	-96.51	147.46	-146.82	224.58	-171.28	262.20	-233.77	361.66	0.05	602.95
20821	493.91	-98.16	149.99	-149.33	228.44	-174.21	266.70	-237.78	367.86	0.05	613.29
20822	-193.10	-46.50	63.00	-70.70	95.50	-82.50	110.60	-112.60	146.90	-251.90	0.05
20823	-116.30	-70.60	0.05	-103.40	0.05	-113.00	0.05	-94.90	0.05	-124.30	0.05
20824	427.70	-38.30	70.00	-57.90	106.10	-67.00	122.90	-87.40	163.20	0.05	289.50
20825	310.88	-133.49	158.62	-203.06	241.61	-236.92	282.07	-323.34	389.07	0.05	648.64
20831	349.18	-149.94	178.16	-228.08	271.38	-266.11	316.82	-363.18	437.01	0.05	728.56
20833	-425.40	-55.90	23.10	-84.80	34.90	-98.50	40.30	-132.50	51.30	-235.70	0.05
20834	481.49	-23.75	70.30	-35.78	106.64	-41.64	123.74	-54.31	166.57	0.05	252.54
20835	110.67	-156.74	159.97	-238.45	243.10	-278.18	284.24	-379.72	392.76	0.05	652.91
20841	116.55	-165.07	168.47	-251.12	256.02	-292.96	299.34	-399.90	413.62	0.05	687.60
20843	-418.80	-53.25	16.13	-80.85	24.38	-93.98	28.35	-127.73	36.98	-199.88	0.05
20844	553.78	-24.50	80.81	-37.02	122.81	-43.01	142.72	-56.16	194.06	0.05	265.77
20845	-169.13	-165.01	140.54	-251.00	213.70	-292.84	249.33	-399.66	345.47	-680.56	0.05
20851	-207.44	-202.39	172.38	-307.86	262.11	-359.17	305.81	-490.19	423.73	-834.73	0.05
20853	-650.90	-84.50	23.30	-128.50	35.10	-149.50	40.80	-205.00	53.30	-295.00	0.05
20854	531.53	-24.23	88.13	-36.60	134.03	-42.60	155.93	-55.58	213.75	0.05	322.95

2010 NORTH TRUSS FORCES BASED ON 1996 LOAD RATING ANALYSIS FORCES

TRUSS MEMBER ENVELOPE FORCES TRANSFERRED TO GUSSET PLATE (KIPS)											
Member	Dead	2F1		3F1		4F1		5C1		(HS20-44)	
		Compr.	Tens.	Compr.	Tens.	Compr.	Tens.	Compr.	Tens.	Compr.	Tens.
20855	-543.30	-190.60	130.01	-289.92	197.90	-338.26	230.34	-461.71	319.38	-762.71	0.05
20861	-546.41	-191.69	130.75	-291.57	199.03	-340.19	231.66	-464.35	321.20	-767.07	0.05
20863	-673.20	-98.80	24.90	-150.30	37.60	-175.00	43.70	-241.60	57.00	-374.50	0.05
20864	456.26	-44.31	95.07	-67.34	144.65	-78.57	168.38	-107.25	232.41	0.05	370.46
20865	-829.90	-174.80	89.51	-265.87	136.30	-310.14	158.77	-423.37	220.48	-681.11	0.05
20871	-814.58	-171.58	87.86	-260.96	133.78	-304.42	155.84	-415.56	216.41	-668.54	0.05
20873	-604.80	-107.10	45.80	-163.10	69.70	-190.00	81.40	-263.80	111.00	-428.30	0.05
20874	378.00	-77.30	113.90	-117.50	173.40	-137.10	201.90	-187.20	280.40	0.05	461.60
20875	-1027.21	-152.84	52.28	-232.50	79.59	-271.31	92.77	-370.34	129.47	-582.09	0.05
20881	-1095.81	-163.05	55.77	-248.03	84.90	-289.43	98.96	-395.07	138.11	-620.96	0.05
20883	-459.60	-106.60	66.90	-162.30	101.70	-189.20	118.70	-264.00	162.00	-443.50	0.05
20884	198.70	-85.30	98.90	-129.70	150.70	-151.30	175.70	-206.60	245.10	0.05	413.50
20885	-1270.12	-145.10	24.86	-220.76	37.83	-257.50	44.12	-351.50	61.83	-541.26	0.05
20891	-1070.46	-122.29	20.95	-186.06	31.88	-217.03	37.19	-296.24	52.11	-456.18	0.05
20893	-319.30	-97.10	77.80	-148.00	118.40	-172.50	138.10	-241.80	188.60	-420.20	0.05
20894	-64.50	-99.20	82.80	-150.90	126.20	-176.10	147.20	-240.40	206.30	-423.30	0.05
20895	-1216.32	-111.88	0.05	-170.20	0.05	-198.62	0.05	-271.05	0.05	-409.80	0.05
20901	-1887.40	-173.60	0.05	-264.10	0.05	-308.20	0.05	-420.60	0.05	-635.90	0.05
20903	227.10	-83.20	156.70	-127.00	237.60	-148.30	276.90	-209.00	373.90	0.05	577.80
20905	-2033.10	-188.70	0.05	-287.00	0.05	-334.90	0.05	-457.10	0.05	-691.10	0.05
20911	-1183.10	-109.81	0.05	-167.01	0.05	-194.89	0.05	-266.00	0.05	-402.17	0.05
20912	-349.10	-66.50	58.20	-100.80	85.60	-116.80	97.00	-155.90	94.60	-211.60	0.05
20913	-208.50	-79.90	18.60	-119.70	28.10	-136.80	32.60	-159.40	43.30	-177.00	0.05
20915	-954.11	-95.98	0.05	-145.65	0.05	-170.01	0.05	-230.87	0.05	-330.86	0.05
20921	-1073.84	-108.03	0.05	-163.92	0.05	-191.35	0.05	-259.84	0.05	-372.38	0.05
20922	88.50	-20.70	65.50	-31.30	97.30	-36.30	110.20	-48.20	117.80	0.05	140.90
20923	-270.10	-79.70	5.10	-119.10	7.80	-135.90	9.00	-154.50	12.00	-175.30	0.05
20925	-904.40	-99.17	0.05	-150.34	0.05	-175.27	0.05	-236.70	0.05	-320.11	0.05
20931	-1250.47	-137.11	0.05	-207.86	0.05	-242.34	0.05	-327.27	0.05	-442.60	0.05
20932	171.40	-6.60	68.00	-10.00	100.70	-11.60	113.80	-15.40	117.60	0.05	144.30
20933	-439.80	-80.10	0.05	-120.00	0.05	-137.30	0.05	-161.50	0.05	-199.10	0.05
20935	-1072.32	-128.91	0.05	-195.39	0.05	-226.69	0.05	-304.35	0.05	-387.91	0.05
20941	-920.53	-110.67	0.05	-167.73	0.05	-194.60	0.05	-261.27	0.05	-333.00	0.05
20942	417.40	0.05	78.40	0.05	116.70	0.05	132.40	0.05	146.20	0.05	190.70
20943	-413.70	-56.77	0.05	-85.68	0.05	-98.91	0.05	-127.19	0.05	-171.29	0.05
20945	-669.38	-88.77	0.05	-134.53	0.05	-155.90	0.05	-207.10	0.05	-247.81	0.05
20951	-1045.90	-138.70	0.05	-210.20	0.05	-243.60	0.05	-323.60	0.05	-387.20	0.05
20952	523.25	0.05	74.50	0.05	112.15	0.05	128.90	0.05	169.43	0.05	218.27
20953	-444.73	-59.64	0.05	-90.55	0.05	-105.24	0.05	-142.04	0.05	-183.13	0.05
20955	-556.00	-81.90	0.05	-124.20	0.05	-143.90	0.05	-191.20	0.05	-210.90	0.05
20961	-556.00	-81.90	0.05	-124.20	0.05	-143.90	0.05	-191.20	0.05	-210.90	0.05
20962	584.18	0.05	86.35	0.05	130.82	0.05	151.64	0.05	201.38	0.05	245.69
20963	-542.80	-81.60	0.05	-123.70	0.05	-143.40	0.05	-190.40	0.05	-232.30	0.05
20965	0.05	0.05	0.05	0.05	0.05	0.05	0.05	0.05	0.05	0.05	0.05
20971	0.05	0.05	0.05	0.05	0.05	0.05	0.05	0.05	0.05	0.05	0.05
20972	435.13	0.05	72.47	0.05	109.60	0.05	126.80	0.05	165.47	0.05	191.00
20973	-432.40	-73.20	0.05	-110.70	0.05	-128.10	0.05	-167.10	0.05	-192.90	0.05
20975	494.70	0.05	82.10	0.05	124.20	0.05	143.70	0.05	187.50	0.05	194.00
20981	308.89	0.05	51.26	0.05	77.55	0.05	89.72	0.05	117.07	0.05	121.13
20982	495.80	-10.90	96.90	-14.90	146.30	-15.10	168.80	-13.30	214.90	0.05	232.40
20983	-311.10	-62.70	7.90	-94.60	10.80	-109.10	11.00	-139.00	9.60	-150.10	0.05
20985	461.55	0.05	76.08	0.05	114.81	0.05	132.48	0.05	170.26	0.05	180.44
20991	461.34	0.05	76.05	0.05	114.75	0.05	132.42	0.05	170.18	0.05	180.36
20992	312.20	-26.90	81.70	-39.20	122.90	-43.40	141.30	-36.50	173.60	0.05	183.90
20993	-179.80	-51.00	18.70	-76.80	27.30	-88.20	30.20	-108.40	25.40	-114.80	0.05

2010 NORTH TRUSS FORCES BASED ON 1996 LOAD RATING ANALYSIS FORCES

TRUSS MEMBER ENVELOPE FORCES TRANSFERRED TO GUSSET PLATE (KIPS)											
Member	Dead	2F1		3F1		4F1		5C1		(HS20-44)	
		Compr.	Tens.	Compr.	Tens.	Compr.	Tens.	Compr.	Tens.	Compr.	Tens.
20995	542.72	0.05	88.69	0.05	133.54	0.05	155.43	0.05	198.34	0.05	211.62
21001	515.61	0.05	84.26	0.05	126.87	0.05	147.67	0.05	188.43	0.05	201.05
21002	105.10	-45.20	63.90	-67.10	95.70	-76.00	109.30	-78.80	126.80	0.05	141.40
21003	-109.30	-69.20	0.20	-101.30	0.30	-110.60	0.40	-92.70	0.40	-121.60	0.05
21004	97.90	-46.00	62.90	-68.40	94.20	-77.40	107.60	-80.30	124.80	0.05	139.10
21005	528.03	0.05	86.25	0.05	129.83	0.05	151.12	0.05	192.86	0.05	205.77
21011	551.26	0.05	90.05	0.05	135.54	0.05	157.77	0.05	201.34	0.05	214.82
21013	-172.20	-49.90	19.40	-75.10	28.30	-86.30	31.30	-106.10	26.40	-112.40	0.05
21014	303.20	-28.10	80.40	-40.90	121.00	-45.30	139.10	-38.20	171.00	0.05	181.10
21015	487.72	0.05	80.30	0.05	121.21	0.05	139.83	0.05	179.76	0.05	190.50
21021	473.05	0.05	77.88	0.05	117.57	0.05	135.62	0.05	174.35	0.05	184.77
21023	-306.70	-62.00	8.20	-93.60	11.20	-108.00	11.30	-137.60	10.00	-148.50	0.05
21024	493.20	-11.50	96.60	-15.70	145.80	-16.00	168.20	-14.10	214.20	0.05	231.50
21025	317.98	0.05	52.71	0.05	79.76	0.05	92.25	0.05	120.43	0.05	124.60
21031	391.83	0.05	64.96	0.05	98.29	0.05	113.67	0.05	148.40	0.05	153.53
21033	-428.00	-72.50	0.05	-109.70	0.05	-126.80	0.05	-165.50	0.05	-191.00	0.05
21034	438.07	0.05	72.80	0.05	110.20	0.05	127.47	0.05	166.33	0.05	192.00
21035	0.05	0.05	0.05	0.05	0.05	0.05	0.05	0.05	0.05	0.05	0.05
21041	0.05	0.05	0.05	0.05	0.05	0.05	0.05	0.05	0.05	0.05	0.05
21043	-543.20	-81.60	0.05	-123.70	0.05	-143.40	0.05	-190.40	0.05	-232.30	0.05
21044	609.78	0.05	90.15	0.05	136.62	0.05	158.30	0.05	210.20	0.05	256.51
21045	-583.20	-86.00	0.05	-130.30	0.05	-151.00	0.05	-200.50	0.05	-221.20	0.05
21051	-439.51	-64.81	0.05	-98.20	0.05	-113.80	0.05	-151.10	0.05	-166.70	0.05
21053	-619.20	-82.20	0.05	-125.20	0.05	-145.80	0.05	-197.70	0.05	-255.00	0.05
21054	540.25	0.05	78.36	0.05	117.79	0.05	135.21	0.05	176.85	0.05	227.86
21055	-869.04	-115.60	0.05	-175.20	0.05	-203.04	0.05	-269.60	0.05	-322.64	0.05
21061	-628.22	-83.57	0.05	-126.65	0.05	-146.78	0.05	-194.89	0.05	-233.23	0.05
21063	-570.20	-80.90	0.05	-122.10	0.05	-140.70	0.05	-179.20	0.05	-240.90	0.05
21064	457.10	0.05	81.20	0.05	121.10	0.05	137.80	0.05	157.30	0.05	206.60
21065	-887.38	-107.20	0.05	-162.52	0.05	-188.55	0.05	-253.11	0.05	-322.65	0.05
21071	-914.44	-110.47	0.05	-167.48	0.05	-194.30	0.05	-260.82	0.05	-332.48	0.05
21073	-467.60	-80.30	0.05	-120.60	0.05	-138.30	0.05	-166.30	0.05	-210.10	0.05
21074	247.00	0.05	71.40	0.05	106.10	0.05	120.30	0.05	129.10	0.05	153.90
21075	-1131.10	-125.01	0.05	-189.44	0.05	-220.84	0.05	-298.27	0.05	-403.40	0.05
21081	-1176.31	-130.01	0.05	-197.01	0.05	-229.67	0.05	-310.20	0.05	-419.53	0.05
21083	-325.30	-80.00	0.05	-119.90	0.05	-137.10	0.05	-160.20	0.05	-177.40	0.05
21084	-118.50	-41.20	61.40	-62.40	90.50	-72.30	102.50	-96.00	101.00	-121.00	0.05
21085	-1317.05	-133.65	0.05	-202.83	0.05	-236.82	0.05	-321.62	0.05	-460.53	0.05
21091	-1185.34	-120.29	0.05	-182.54	0.05	-213.14	0.05	-289.46	0.05	-414.48	0.05
21093	-23.80	-79.40	36.30	-118.40	55.10	-134.60	63.80	-149.30	84.80	-173.10	0.05
21094	-341.70	-65.00	58.00	-98.60	85.40	-114.20	96.70	-152.40	95.00	-206.50	0.05
21095	-1323.50	-123.86	0.05	-188.37	0.05	-219.76	0.05	-299.99	0.05	-453.62	0.05
21101	-2053.70	-192.20	0.05	-292.30	0.05	-341.00	0.05	-465.50	0.05	-703.90	0.05
21103	-26.20	-83.50	141.90	-127.60	215.10	-149.30	250.60	-213.70	338.10	-427.30	0.05
21105	-1757.40	-165.30	0.05	-251.40	0.05	-293.30	0.05	-400.40	0.05	-605.40	0.05
21111	-1029.33	-96.82	0.05	-147.25	0.05	-171.79	0.05	-234.52	0.05	-354.59	0.05
21112	214.00	-85.90	85.70	-130.60	130.80	-152.40	152.80	-208.00	217.50	0.05	391.90
21113	-505.90	-99.60	74.40	-152.10	113.10	-177.70	132.00	-252.80	180.10	-455.70	0.05
21115	-854.83	-104.59	19.51	-159.03	29.78	-185.58	34.77	-253.30	49.51	-383.01	0.05
21121	-1010.14	-123.59	23.06	-187.93	35.19	-219.29	41.08	-299.32	58.51	-452.59	0.05
21122	399.00	-82.90	104.70	-126.10	159.70	-147.10	186.50	-200.80	264.20	0.05	456.40
21123	-697.80	-108.40	57.20	-165.50	87.00	-193.30	101.50	-273.80	138.50	-470.60	0.05
21125	-778.37	-132.33	48.77	-201.25	74.42	-234.80	86.86	-320.50	123.07	-484.63	0.05
21131	-634.23	-107.83	39.74	-163.98	60.64	-191.32	70.78	-261.14	100.28	-394.88	0.05
21132	488.65	-49.34	88.46	-75.02	134.96	-87.56	157.51	-119.51	221.93	0.05	368.76

2010 NORTH TRUSS FORCES BASED ON 1996 LOAD RATING ANALYSIS FORCES

TRUSS MEMBER ENVELOPE FORCES TRANSFERRED TO GUSSET PLATE (KIPS)											
Member	Dead	2F1		3F1		4F1		5C1		(HS20-44)	
		Compr.	Tens.	Compr.	Tens.	Compr.	Tens.	Compr.	Tens.	Compr.	Tens.
21133	-839.40	-108.00	34.10	-164.70	51.90	-192.30	60.50	-270.90	82.60	-443.90	0.05
21135	-414.88	-115.17	64.16	-175.21	97.90	-204.46	114.26	-279.07	160.99	-421.96	0.05
21141	-545.29	-151.38	84.33	-230.28	128.67	-268.73	150.17	-366.79	211.59	-554.60	0.05
21142	708.07	-34.01	101.29	-51.72	154.33	-60.28	180.02	-82.35	252.00	0.05	398.67
21143	-880.50	-97.60	9.30	-148.70	14.10	-173.50	16.40	-242.80	22.40	-372.80	0.05
21145	-198.28	-149.54	112.43	-227.45	171.38	-265.35	199.94	-362.22	279.82	-547.69	0.05
21151	-227.97	-171.93	129.27	-261.51	197.05	-305.09	229.88	-416.46	321.72	-629.72	0.05
21152	716.95	-8.78	86.65	-13.39	131.98	-15.59	153.77	-21.34	213.03	0.05	311.94
21153	-814.10	-81.80	7.90	-124.60	11.90	-145.10	13.60	-201.10	15.60	-319.30	0.05
21155	167.91	-176.01	167.84	-267.78	255.63	-312.38	297.82	-426.38	415.66	0.05	687.13
21161	106.25	-111.37	106.20	-169.44	161.75	-197.66	188.45	-269.80	263.01	0.05	434.79
21162	706.80	-10.56	77.44	-15.84	117.84	-18.16	137.04	-22.16	187.36	0.05	285.52
21163	-510.24	-50.52	15.42	-76.89	23.17	-89.41	26.60	-122.27	32.41	-212.35	0.05
21165	297.71	-91.96	106.55	-139.89	162.06	-163.21	189.27	-222.80	262.37	0.05	431.59
21171	390.10	-120.50	139.62	-183.30	212.35	-213.87	248.01	-291.95	343.80	0.05	565.53
21172	614.42	-27.59	67.58	-41.60	102.60	-47.84	119.14	-60.41	160.40	0.05	272.78
21173	-550.60	-60.40	28.40	-91.70	42.80	-106.50	49.30	-143.50	62.30	-253.10	0.05
21175	536.51	-97.05	131.96	-147.61	200.85	-172.21	234.62	-235.06	323.55	0.05	531.68
21181	582.88	-105.44	143.36	-160.37	218.21	-187.10	254.90	-255.37	351.52	0.05	577.64
21182	557.50	-43.90	70.30	-66.40	106.60	-76.70	123.50	-99.20	163.40	0.05	287.50
21183	-117.60	-80.20	0.05	-117.40	0.05	-128.30	0.05	-107.80	0.05	-141.20	0.05
21184	-347.70	-54.60	57.70	-82.60	87.40	-95.50	101.30	-123.70	133.80	-243.70	0.05
21185	868.87	-85.91	149.67	-130.68	227.83	-152.48	266.06	-208.11	366.99	0.05	602.81
21191	885.39	-87.54	152.52	-133.16	232.16	-155.38	271.12	-212.07	373.97	0.05	614.27
21193	149.30	-50.90	36.40	-77.30	54.80	-89.70	63.20	-120.70	79.60	0.05	168.40
21194	-79.70	-44.60	77.70	-67.90	118.00	-79.20	137.00	-108.10	184.40	-217.90	0.05
21195	917.17	-73.99	141.86	-112.55	215.75	-131.33	252.02	-179.28	349.32	0.05	574.21
21201	1034.67	-83.47	160.04	-126.97	243.39	-148.15	284.31	-202.25	394.07	0.05	647.78
21203	-60.30	-67.20	35.10	-102.30	53.40	-119.00	62.20	-162.60	85.00	-214.90	0.05
21204	208.70	-51.00	97.70	-77.60	148.70	-90.50	172.90	-123.50	236.30	0.05	316.90
21205	994.75	-67.81	140.47	-103.13	213.94	-120.30	249.32	-164.23	347.94	0.05	574.66
21211	852.51	-58.11	120.39	-88.38	183.35	-103.10	213.67	-140.75	298.19	0.05	492.49
21213	-287.70	-83.60	40.30	-127.30	61.40	-148.40	71.60	-205.60	97.70	-292.60	0.05
21214	471.90	-53.80	111.50	-81.90	169.80	-95.50	197.90	-130.40	274.20	0.05	401.20
21215	699.13	-41.28	90.86	-62.81	138.60	-73.23	161.77	-99.98	227.04	0.05	378.19
21221	687.63	-40.60	89.36	-61.77	136.32	-72.03	159.11	-98.34	223.31	0.05	371.97
21223	-508.00	-96.30	43.70	-146.90	66.50	-171.50	77.60	-240.70	106.00	-369.40	0.05
21224	660.70	-52.30	115.00	-79.50	175.50	-92.70	204.80	-126.60	287.50	0.05	451.60
21225	560.71	-29.21	67.25	-44.45	102.72	-51.85	120.12	-70.79	170.63	0.05	286.75
21231	604.67	-31.50	72.52	-47.94	110.77	-55.91	129.54	-76.34	184.01	0.05	309.23
21233	-684.40	-101.50	44.10	-155.10	67.10	-181.30	78.20	-257.50	106.80	-421.80	0.05
21234	764.40	-47.20	108.80	-71.90	166.10	-83.80	194.20	-114.40	275.90	0.05	456.90
21235	385.54	-17.99	42.69	-27.39	65.30	-31.95	76.42	-43.61	109.93	0.05	187.80
21241	577.82	-26.96	63.99	-41.05	97.87	-47.89	114.53	-65.36	164.76	0.05	281.47
21243	-800.50	-98.50	41.60	-150.60	63.20	-176.40	73.80	-253.60	100.70	-439.60	0.05
21244	629.66	-32.08	76.08	-48.84	116.42	-57.02	136.27	-77.82	195.99	0.05	340.99
21245	284.84	-12.08	29.05	-18.44	44.46	-21.46	52.13	-29.36	75.99	0.05	133.08
21251	285.45	-12.11	29.11	-18.48	44.56	-21.50	52.25	-29.42	76.16	0.05	133.37
21253	-857.40	-88.60	37.00	-135.80	56.30	-159.30	65.60	-232.00	89.60	-430.20	0.05
21254	767.60	-32.80	78.60	-49.90	120.40	-58.20	141.30	-79.40	205.70	0.05	381.50
21255	-0.87	0.05	0.05	0.05	0.05	0.05	0.05	0.05	0.05	0.05	0.05
21261	-1.20	0.05	0.05	0.05	0.05	0.05	0.05	0.05	0.05	0.05	0.05
21263	-802.10	-72.30	30.10	-110.80	45.80	-130.10	53.40	-191.80	72.90	-368.70	0.05
21273	-492.50	-74.70	0.05	-113.70	0.05	-132.30	0.05	-180.50	0.05	-209.40	0.05
21275	0.05	0.05	0.05	0.05	0.05	0.05	0.05	0.05	0.05	0.05	0.05

2010 NORTH TRUSS FORCES BASED ON 1996 LOAD RATING ANALYSIS FORCES

TRUSS MEMBER ENVELOPE FORCES TRANSFERRED TO GUSSET PLATE (KIPS)											
Member	Dead	2F1		3F1		4F1		5C1		(HS20-44)	
		Compr.	Tens.	Compr.	Tens.	Compr.	Tens.	Compr.	Tens.	Compr.	Tens.
21281	0.05	0.05	0.05	0.05	0.05	0.05	0.05	0.05	0.05	0.05	0.05
21282	522.50	0.05	86.50	0.05	131.30	0.05	152.30	0.05	202.20	0.05	237.90
21283	-414.10	-69.70	0.05	-105.70	0.05	-122.60	0.05	-162.70	0.05	-191.50	0.05
21285	311.70	0.05	51.30	0.05	77.90	0.05	90.30	0.05	120.00	0.05	127.20
21291	148.43	0.05	24.43	0.05	37.10	0.05	43.00	0.05	57.14	0.05	60.57
21292	380.40	-8.90	76.00	-12.40	115.00	-12.90	133.10	-10.70	171.10	0.05	186.00
21293	-309.90	-63.50	7.40	-96.00	10.30	-111.00	10.80	-142.80	9.00	-155.20	0.05
21295	248.76	0.05	41.48	0.05	62.71	0.05	72.52	0.05	94.00	0.05	101.52
21301	522.40	0.05	87.10	0.05	131.70	0.05	152.30	0.05	197.40	0.05	213.20
21302	244.30	-20.50	65.40	-30.00	98.50	-33.40	113.30	-29.30	140.20	0.05	147.60
21303	-191.70	-54.00	17.00	-81.30	24.80	-93.60	27.50	-115.70	24.20	-121.90	0.05
21305	661.10	0.05	110.80	0.05	166.90	0.05	194.30	0.05	249.10	0.05	269.90
21311	285.18	0.05	47.80	0.05	72.00	0.05	83.82	0.05	107.45	0.05	116.43
21312	104.20	-32.60	54.20	-48.40	81.20	-54.80	92.90	-57.80	108.60	0.05	120.20
21313	-116.00	-71.40	0.05	-104.70	0.05	-114.60	0.05	-97.50	0.05	-126.60	0.05
21314	52.80	-39.40	46.60	-58.50	69.80	-66.30	79.90	-70.20	93.00	0.05	103.30
21315	326.70	0.05	54.60	0.05	82.25	0.05	95.77	0.05	122.86	0.05	133.07
21321	691.10	0.05	115.50	0.05	174.00	0.05	202.60	0.05	259.90	0.05	281.50
21323	-150.80	-47.70	21.30	-71.90	31.10	-82.70	34.60	-102.20	30.40	-107.70	0.05
21324	202.60	-26.50	59.40	-38.70	89.50	-43.00	102.90	-37.80	127.10	0.05	134.00
21325	571.20	0.05	95.30	0.05	144.10	0.05	166.50	0.05	215.60	0.05	232.40
21331	243.06	0.05	40.55	0.05	61.32	0.05	70.85	0.05	91.74	0.05	98.89
21333	-281.10	-59.20	9.90	-89.50	13.80	-103.40	14.40	-132.50	12.00	-143.20	0.05
21334	363.70	-12.30	73.70	-17.20	111.40	-18.00	128.80	-14.90	165.10	0.05	178.40
21335	142.16	0.05	23.60	0.05	35.76	0.05	41.44	0.05	54.68	0.05	57.88
21341	355.40	0.05	59.00	0.05	89.40	0.05	103.60	0.05	136.70	0.05	144.70
21343	-401.10	-68.20	0.05	-103.40	0.05	-119.80	0.05	-158.00	0.05	-185.80	0.05
21344	545.70	0.05	90.20	0.05	136.70	0.05	158.40	0.05	209.00	0.05	245.70
21345	0.05	0.05	0.05	0.05	0.05	0.05	0.05	0.05	0.05	0.05	0.05
21351	0.05	0.05	0.05	0.05	0.05	0.05	0.05	0.05	0.05	0.05	0.05
21353	-477.30	-77.60	0.05	-118.00	0.05	-137.10	0.05	-185.40	0.05	-213.80	0.05

SOUTH TRUSS

2010 SOUTH TRUSS FORCES BASED ON 1996 LOAD RATING ANALYSIS FORCES

TRUSS MEMBER ENVELOPE FORCES TRANSFERRED TO GUSSET PLATE (KIPS)											
Member	Dead	2F1		3F1		4F1		5C1		(HS20-44)	
		Compr.	Tens.	Compr.	Tens.	Compr.	Tens.	Compr.	Tens.	Compr.	Tens.
10003	-379.76	-75.71	0.05	-114.53	0.05	-132.44	0.05	-172.85	0.05	-183.00	0.05
10004	452.00	0.05	91.90	0.05	138.70	0.05	160.00	0.05	203.80	0.05	223.00
10005	-273.40	-55.30	0.05	-83.50	0.05	-96.30	0.05	-122.70	0.05	-125.90	0.05
10011	-273.40	-55.30	0.05	-83.50	0.05	-96.30	0.05	-122.70	0.05	-125.90	0.05
10013	-427.00	-87.90	0.05	-132.80	0.05	-153.20	0.05	-195.10	0.05	-213.50	0.05
10014	432.10	0.05	100.50	0.05	151.20	0.05	173.80	0.05	213.50	0.05	226.10
10015	-571.00	-114.70	0.05	-172.70	0.05	-199.30	0.05	-250.30	0.05	-258.30	0.05
10021	-370.91	-74.51	0.05	-112.18	0.05	-129.46	0.05	-162.59	0.05	-167.78	0.05
10023	-335.50	-81.30	1.60	-122.30	2.20	-140.60	2.20	-172.70	1.90	-182.90	0.05
10024	336.80	-5.40	97.70	-7.80	146.30	-8.70	167.20	-7.30	193.90	0.05	216.20
10025	-574.10	-114.40	0.05	-172.61	0.05	-200.05	0.05	-248.02	0.05	-256.79	0.05
10031	-824.50	-164.30	0.05	-247.90	0.05	-287.30	0.05	-356.20	0.05	-368.80	0.05
10033	-204.50	-66.60	11.20	-99.70	16.40	-114.00	18.10	-132.20	15.30	-147.30	0.05
10034	153.00	-28.40	81.20	-42.20	120.60	-47.80	136.40	-49.60	141.60	0.05	174.30
10035	-946.50	-188.60	0.05	-284.50	0.05	-329.70	0.05	-408.80	0.05	-423.30	0.05
10041	-386.33	-76.98	0.05	-116.12	0.05	-134.57	0.05	-166.86	0.05	-172.78	0.05
10043	-6.30	-38.80	33.10	-57.60	49.20	-65.20	55.70	-67.70	57.80	-83.30	0.05
10044	-178.00	-75.00	41.90	-112.40	61.00	-128.40	67.60	-148.90	56.90	-166.00	0.05
10045	-347.25	-69.93	0.05	-105.25	0.05	-121.43	0.05	-152.53	0.05	-157.41	0.05
10051	-805.00	-162.10	0.05	-244.00	0.05	-281.50	0.05	-353.60	0.05	-364.90	0.05
10053	-108.00	-73.10	0.10	-107.10	0.10	-117.00	0.10	-98.30	0.10	-128.70	0.05
10055	-805.00	-162.10	0.05	-244.00	0.05	-281.50	0.05	-353.60	0.05	-364.90	0.05
10061	-414.85	-83.54	0.05	-125.74	0.05	-145.07	0.05	-182.22	0.05	-188.05	0.05
10062	426.80	-13.10	105.30	-17.90	158.50	-18.20	182.20	-16.00	223.80	0.05	237.10
10063	-367.40	-76.30	0.05	-115.20	0.05	-132.90	0.05	-169.30	0.05	-185.30	0.05
10065	-250.92	-50.97	0.05	-76.88	0.05	-88.73	0.05	-113.02	0.05	-115.95	0.05
10071	-461.80	-93.80	0.05	-141.50	0.05	-163.30	0.05	-208.00	0.05	-213.40	0.05
10072	400.51	0.05	81.53	0.05	123.12	0.05	142.06	0.05	180.90	0.05	197.92
10073	-473.70	-85.80	0.05	-129.80	0.05	-150.10	0.05	-195.90	0.05	-226.10	0.05
10075	0.05	0.05	0.05	0.05	0.05	0.05	0.05	0.05	0.05	0.05	0.05
10081	0.05	0.05	0.05	0.05	0.05	0.05	0.05	0.05	0.05	0.05	0.05
10082	561.70	0.05	99.70	0.05	150.90	0.05	174.60	0.05	227.80	0.05	262.90
10083	-495.50	-84.80	0.05	-127.50	0.05	-146.40	0.05	-190.10	0.05	-232.30	0.05
10085	333.08	0.05	58.95	0.05	89.19	0.05	103.14	0.05	134.59	0.05	139.30
10091	242.27	0.05	42.87	0.05	64.87	0.05	75.02	0.05	97.90	0.05	101.32
10092	470.70	0.05	85.00	0.05	126.70	0.05	144.10	0.05	182.40	0.05	223.40
10093	-476.20	-84.60	0.05	-126.90	0.05	-145.40	0.05	-176.40	0.05	-224.80	0.05
10095	521.47	0.05	81.99	0.05	124.04	0.05	143.43	0.05	187.45	0.05	211.57
10101	391.29	0.05	61.52	0.05	93.08	0.05	107.63	0.05	140.66	0.05	158.76
10102	360.50	0.05	76.20	0.05	113.40	0.05	128.60	0.05	142.30	0.05	179.30
10103	-589.30	-86.40	25.50	-131.30	38.40	-152.50	44.70	-207.40	57.00	-312.60	0.05
10104	196.30	-42.10	92.40	-63.80	140.30	-74.10	162.80	-98.20	219.10	0.05	282.50
10105	526.82	-33.33	99.46	-50.61	150.46	-58.73	174.76	-79.03	231.79	0.05	297.79
10111	804.60	-50.90	151.90	-77.30	229.80	-89.70	266.90	-120.70	354.00	0.05	454.80
10113	-305.90	-95.40	31.30	-144.80	47.20	-168.10	54.90	-226.20	70.10	-291.70	0.05
10114	247.10	-41.00	110.60	-61.70	167.70	-71.80	194.30	-91.60	258.10	0.05	320.10
10115	642.70	-117.20	175.20	-177.60	265.10	-205.80	307.90	-273.30	408.40	0.05	567.20
10121	342.37	-62.43	93.33	-94.61	141.22	-109.63	164.02	-145.59	217.56	0.05	302.15
10123	-316.30	-95.20	35.20	-144.30	53.10	-167.20	61.80	-222.10	78.80	-272.90	0.05
10124	291.20	-50.90	120.00	-76.70	181.60	-89.30	210.10	-113.90	274.10	0.05	325.00
10125	143.20	-63.20	63.20	-95.63	95.63	-111.07	111.07	-147.33	147.33	0.05	224.33
10131	429.60	-189.60	189.60	-286.90	286.90	-333.20	333.20	-442.00	442.00	0.05	673.00
10133	-275.00	-86.90	36.90	-131.50	55.50	-152.10	64.60	-198.40	82.50	-229.50	0.05
10134	255.60	-58.40	117.40	-87.90	177.30	-102.30	204.50	-130.60	260.50	0.05	286.60
10135	229.20	-253.60	191.00	-383.90	289.00	-447.20	335.60	-589.50	445.10	0.05	757.30

2010 SOUTH TRUSS FORCES BASED ON 1996 LOAD RATING ANALYSIS FORCES

TRUSS MEMBER ENVELOPE FORCES TRANSFERRED TO GUSSET PLATE (KIPS)											
Member	Dead	2F1		3F1		4F1		5C1		(HS20-44)	
		Compr.	Tens.	Compr.	Tens.	Compr.	Tens.	Compr.	Tens.	Compr.	Tens.
10141	122.09	-135.08	101.74	-204.49	153.94	-238.21	178.76	-314.01	237.09	0.05	403.39
10143	-205.10	-59.80	29.70	-90.20	44.70	-104.10	52.10	-132.50	66.40	-183.10	0.05
10144	152.40	-48.30	80.50	-72.70	121.10	-84.60	139.20	-108.00	171.00	0.05	238.20
10145	43.86	-111.69	67.67	-169.95	102.40	-197.22	118.95	-257.47	157.76	0.05	307.81
10151	107.60	-274.00	166.00	-416.90	251.20	-483.80	291.80	-631.60	387.00	0.05	755.10
10153	-109.70	-73.20	0.05	-107.20	0.05	-117.20	0.05	-98.40	0.05	-128.90	0.05
10155	107.60	-274.00	166.00	-416.90	251.20	-483.80	291.80	-631.60	387.00	0.05	755.10
10161	43.86	-111.69	67.67	-169.95	102.40	-197.22	118.95	-257.47	157.76	0.05	307.81
10162	22.30	-52.40	86.50	-79.30	130.20	-92.10	149.60	-122.20	183.90	0.05	231.20
10163	-124.60	-63.70	32.00	-96.10	48.40	-110.90	56.20	-141.30	74.50	-179.60	0.05
10165	65.75	-129.98	96.93	-196.78	145.99	-229.26	169.90	-302.18	216.87	0.05	373.95
10171	65.66	-129.81	96.80	-196.52	145.80	-228.96	169.67	-301.78	216.58	0.05	373.46
10172	148.70	-63.60	126.60	-96.20	191.20	-111.70	220.50	-148.20	280.90	0.05	318.70
10173	-207.20	-94.00	40.30	-142.20	60.90	-164.50	70.80	-214.60	93.90	-251.30	0.05
10175	146.83	-108.05	107.01	-163.54	161.10	-189.88	187.56	-251.83	239.33	0.05	356.52
10181	134.85	-99.23	98.28	-150.19	147.95	-174.38	172.26	-231.28	219.80	0.05	327.43
10182	203.50	-53.10	124.00	-80.40	187.60	-93.40	217.00	-123.90	283.20	0.05	340.60
10183	-258.10	-100.90	37.70	-152.90	57.10	-177.20	66.30	-235.30	87.90	-290.30	0.05
10185	217.59	-58.90	87.25	-89.29	131.36	-103.46	152.90	-137.42	195.14	0.05	256.25
10191	383.80	-103.90	153.90	-157.50	231.70	-182.50	269.70	-242.40	344.20	0.05	452.00
10192	187.50	-44.10	109.50	-66.40	165.90	-77.30	192.30	-98.60	255.40	0.05	318.00
10193	-265.00	-98.10	35.00	-148.90	52.80	-172.80	61.40	-232.60	78.40	-299.90	0.05
10195	497.40	-43.10	127.40	-65.40	191.90	-76.00	223.30	-102.20	285.00	0.05	335.30
10201	377.34	-32.70	96.65	-49.61	145.58	-57.66	169.40	-77.53	216.21	0.05	254.37
10202	136.00	-36.96	71.28	-55.60	108.24	-64.72	125.60	-82.56	169.04	0.05	217.92
10203	-506.70	-86.40	25.70	-131.30	38.90	-152.50	45.20	-207.40	60.00	-307.40	0.05
10204	258.30	0.05	70.00	0.05	103.80	0.05	117.30	0.05	124.60	0.05	149.50
10205	303.00	0.05	62.93	0.05	94.67	0.05	109.27	0.05	137.27	0.05	141.67
10211	319.65	0.05	66.39	0.05	99.87	0.05	115.27	0.05	144.81	0.05	149.45
10213	-365.50	-84.00	0.05	-125.60	0.05	-143.30	0.05	-166.60	0.05	-194.40	0.05
10214	313.40	0.05	75.90	0.05	112.30	0.05	126.90	0.05	152.90	0.05	170.60
10215	168.96	0.05	41.02	0.05	61.76	0.05	70.98	0.05	87.23	0.05	92.35
10221	199.78	0.05	48.51	0.05	73.03	0.05	83.92	0.05	103.15	0.05	109.20
10223	-379.10	-84.50	0.05	-126.70	0.05	-145.10	0.05	-181.60	0.05	-199.90	0.05
10224	373.30	0.05	91.00	0.05	136.90	0.05	157.40	0.05	193.40	0.05	204.80
10225	0.05	0.05	0.05	0.05	0.05	0.05	0.05	0.05	0.05	0.05	0.05
10231	0.05	0.05	0.05	0.05	0.05	0.05	0.05	0.05	0.05	0.05	0.05
10233	-341.80	-84.90	0.05	-127.80	0.05	-146.90	0.05	-180.50	0.05	-191.20	0.05
10234	353.60	0.05	103.60	0.05	155.10	0.05	177.20	0.05	205.50	0.05	229.10
10235	-271.50	-79.30	0.05	-118.70	0.05	-135.60	0.05	-157.30	0.05	-175.30	0.05
10241	-203.63	-59.48	0.05	-89.03	0.05	-101.70	0.05	-117.98	0.05	-131.48	0.05
10243	-230.90	-69.30	0.05	-103.80	0.05	-118.70	0.05	-137.60	0.05	-153.40	0.05
10244	191.70	-20.20	80.20	-27.70	119.10	-28.10	134.70	-24.70	139.80	0.05	172.10
10245	-248.60	-71.32	0.05	-106.48	0.05	-123.03	0.05	-139.99	0.05	-155.41	0.05
10251	-420.70	-120.70	0.05	-180.20	0.05	-208.20	0.05	-236.90	0.05	-263.00	0.05
10253	-107.00	-73.20	0.05	-107.20	0.05	-117.20	0.05	-98.40	0.05	-128.90	0.05
10255	-420.70	-120.70	0.05	-180.20	0.05	-208.20	0.05	-236.90	0.05	-263.00	0.05
10261	-248.60	-71.32	0.05	-106.48	0.05	-123.03	0.05	-139.99	0.05	-155.41	0.05
10262	37.70	-40.10	58.00	-58.50	84.60	-64.80	93.70	-54.50	78.90	0.05	116.40
10263	-132.50	-56.80	11.60	-84.30	15.80	-95.40	16.10	-99.10	14.10	-121.90	0.05
10265	-293.33	-84.15	0.05	-125.63	0.05	-145.13	0.05	-165.15	0.05	-183.38	0.05
10271	-260.73	-74.80	0.05	-111.67	0.05	-129.00	0.05	-146.80	0.05	-163.00	0.05
10272	243.40	-4.50	90.40	-6.10	134.20	-6.20	151.80	-5.50	159.80	0.05	193.90
10273	-270.60	-80.80	0.05	-121.00	0.05	-138.30	0.05	-160.30	0.05	-178.70	0.05
10275	-167.28	-48.64	0.05	-72.80	0.05	-83.20	0.05	-96.48	0.05	-107.52	0.05

2010 SOUTH TRUSS FORCES BASED ON 1996 LOAD RATING ANALYSIS FORCES

TRUSS MEMBER ENVELOPE FORCES TRANSFERRED TO GUSSET PLATE (KIPS)											
Member	Dead	2F1		3F1		4F1		5C1		(HS20-44)	
		Compr.	Tens.	Compr.	Tens.	Compr.	Tens.	Compr.	Tens.	Compr.	Tens.
10281	-209.10	-60.80	0.05	-91.00	0.05	-104.00	0.05	-120.60	0.05	-134.40	0.05
10282	312.40	0.05	91.10	0.05	136.50	0.05	156.00	0.05	180.80	0.05	201.60
10283	-345.30	-84.90	0.05	-127.80	0.05	-146.90	0.05	-180.50	0.05	-191.20	0.05
10285	0.05	0.05	0.05	0.05	0.05	0.05	0.05	0.05	0.05	0.05	0.05
10291	0.05	0.05	0.05	0.05	0.05	0.05	0.05	0.05	0.05	0.05	0.05
10292	309.50	0.05	74.10	0.05	111.60	0.05	128.20	0.05	157.60	0.05	166.90
10293	-372.00	-83.80	0.05	-125.00	0.05	-142.40	0.05	-175.90	0.05	-194.60	0.05
10295	131.21	0.05	31.22	0.05	47.06	0.05	54.07	0.05	66.44	0.05	70.36
10301	100.74	0.05	23.97	0.05	36.13	0.05	41.51	0.05	51.01	0.05	54.02
10302	274.60	0.05	66.00	0.05	97.40	0.05	110.20	0.05	130.70	0.05	146.40
10303	-691.10	-86.40	17.10	-131.30	25.80	-152.50	29.70	-207.40	38.20	-311.20	0.05
10304	339.80	-34.00	86.10	-51.20	130.60	-59.10	151.60	-74.20	204.00	0.05	263.00
10305	112.08	-29.48	58.02	-44.72	87.27	-51.88	100.72	-69.84	126.54	0.05	136.97
10311	144.10	-37.90	74.60	-57.50	112.20	-66.70	129.50	-89.80	162.70	0.05	176.10
10313	-451.80	-99.40	25.90	-150.80	39.00	-175.10	45.00	-235.60	56.50	-303.80	0.05
10314	400.60	-31.20	106.00	-46.90	160.70	-54.10	186.30	-68.00	247.40	0.05	308.70
10315	-83.00	-93.30	92.10	-141.50	138.70	-164.00	160.00	-217.70	201.00	-260.50	0.05
10321	-55.76	-62.67	61.87	-95.05	93.17	-110.17	107.48	-146.24	135.02	-174.99	0.05
10323	-439.20	-102.30	25.40	-155.00	38.30	-179.70	44.20	-238.60	56.80	-294.70	0.05
10324	433.40	-33.90	119.30	-51.20	180.50	-59.10	208.70	-75.90	272.40	0.05	328.60
10325	-241.61	-103.98	68.65	-157.35	103.33	-182.75	119.26	-242.44	149.75	-291.24	0.05
10331	-245.77	-105.77	69.84	-160.07	105.11	-185.90	121.31	-246.62	152.33	-296.26	0.05
10333	-362.40	-92.30	26.30	-139.70	39.60	-161.60	45.70	-210.80	58.70	-246.20	0.05
10334	366.30	-38.70	116.10	-58.40	175.30	-67.40	202.20	-86.50	257.60	0.05	290.30
10335	-463.54	-160.22	79.64	-242.51	119.89	-282.55	138.30	-372.50	173.75	-450.50	0.05
10341	-314.17	-108.59	53.98	-164.37	81.26	-191.50	93.74	-252.48	117.77	-305.34	0.05
10343	-191.10	-60.50	20.20	-91.40	30.50	-105.40	35.10	-134.30	45.10	-162.00	0.05
10344	118.40	-37.10	75.80	-55.50	114.10	-63.50	131.20	-73.60	161.20	0.05	189.10
10345	-317.12	-104.39	41.98	-158.80	63.35	-184.30	73.08	-240.60	93.89	-295.14	0.05
10351	-737.30	-242.70	97.60	-369.20	147.30	-428.50	169.90	-559.40	218.30	-686.20	0.05
10353	-110.70	-73.20	0.05	-107.20	0.05	-117.20	0.05	-98.40	0.05	-128.90	0.05
10355	-737.30	-242.70	97.60	-369.20	147.30	-428.50	169.90	-559.40	218.30	-686.30	0.05
10361	-317.73	-104.59	42.06	-159.10	63.48	-184.66	73.22	-241.07	94.07	-295.75	0.05
10362	184.40	-34.90	87.40	-52.60	131.50	-60.70	151.10	-76.20	185.70	0.05	210.30
10363	-235.10	-69.10	22.90	-104.30	34.50	-120.40	39.80	-153.30	50.00	-179.40	0.05
10365	-311.78	-111.43	55.69	-168.68	84.08	-196.49	97.00	-259.06	124.55	-313.29	0.05
10371	-418.95	-149.73	74.83	-226.66	112.98	-264.04	130.34	-348.11	167.37	-420.98	0.05
10372	399.60	-40.40	121.80	-60.70	183.80	-70.10	212.10	-88.00	270.10	0.05	311.40
10373	-389.10	-98.20	27.80	-148.70	41.80	-172.00	48.30	-224.40	60.60	-264.40	0.05
10375	-203.48	-97.11	64.46	-146.95	97.31	-170.62	112.20	-226.30	144.13	-271.87	0.05
10381	-206.87	-98.73	65.53	-149.40	98.93	-173.47	114.07	-230.07	146.53	-276.40	0.05
10382	434.80	-35.10	124.10	-52.80	187.80	-61.00	217.20	-76.60	283.40	0.05	347.00
10383	-450.80	-109.40	27.00	-165.80	40.60	-192.20	46.90	-255.20	58.90	-316.50	0.05
10385	-22.45	-52.70	52.30	-79.91	78.98	-92.58	91.07	-122.96	116.95	-147.13	0.05
10391	-34.00	-79.80	79.20	-121.00	119.60	-140.20	137.90	-186.20	177.10	-222.80	0.05
10392	379.70	-33.00	103.50	-49.80	156.90	-57.40	181.80	-73.70	241.50	0.05	301.80
10393	-448.40	-100.60	28.40	-152.70	42.90	-177.20	49.50	-238.40	63.50	-307.50	0.05
10395	157.10	-31.70	62.70	-48.10	94.70	-55.80	109.20	-75.10	140.30	0.05	159.30
10401	114.71	-23.15	45.78	-35.12	69.15	-40.74	79.73	-54.83	102.44	0.05	116.31
10402	307.10	-37.00	84.10	-55.90	127.60	-64.40	148.10	-82.80	199.40	0.05	257.10
10403	-683.30	-86.40	17.00	-131.30	25.60	-152.50	29.50	-207.40	37.10	-301.10	0.05
10404	271.50	0.05	61.50	0.05	90.40	0.05	102.40	0.05	120.90	0.05	141.90
10405	111.15	0.05	22.79	0.05	34.35	0.05	39.64	0.05	50.42	0.05	51.79
10411	128.80	0.05	26.41	0.05	39.81	0.05	45.94	0.05	58.42	0.05	60.01
10413	-409.50	-83.50	0.05	-124.50	0.05	-141.50	0.05	-176.80	0.05	-205.70	0.05

2010 SOUTH TRUSS FORCES BASED ON 1996 LOAD RATING ANALYSIS FORCES

TRUSS MEMBER ENVELOPE FORCES TRANSFERRED TO GUSSET PLATE (KIPS)											
Member	Dead	2F1		3F1		4F1		5C1		(HS20-44)	
		Compr.	Tens.	Compr.	Tens.	Compr.	Tens.	Compr.	Tens.	Compr.	Tens.
10414	335.80	0.05	69.20	0.05	104.50	0.05	120.50	0.05	153.30	0.05	167.70
10415	0.05	0.05	0.05	0.05	0.05	0.05	0.05	0.05	0.05	0.05	0.05
10421	0.05	0.05	0.05	0.05	0.05	0.05	0.05	0.05	0.05	0.05	0.05
10423	-407.20	-85.40	0.05	-128.90	0.05	-148.70	0.05	-189.10	0.05	-206.90	0.05
10424	370.90	0.05	90.00	0.05	135.40	0.05	155.60	0.05	191.20	0.05	202.50
10425	-233.80	-56.50	0.05	-85.00	0.05	-97.70	0.05	-119.90	0.05	-127.10	0.05
10431	-233.80	-56.50	0.05	-85.00	0.05	-97.70	0.05	-119.90	0.05	-127.10	0.05
10433	-345.30	-85.40	0.05	-128.50	0.05	-147.70	0.05	-181.40	0.05	-192.20	0.05
10434	329.30	0.05	95.80	0.05	143.40	0.05	163.90	0.05	189.90	0.05	211.90
10435	-470.00	-113.20	0.05	-169.50	0.05	-196.00	0.05	-236.90	0.05	-250.40	0.05
10441	-320.30	-77.14	0.05	-115.51	0.05	-133.57	0.05	-161.44	0.05	-170.64	0.05
10443	-194.40	-63.00	9.20	-94.30	12.70	-107.80	12.90	-124.90	11.30	-139.40	0.05
10444	124.40	-29.90	68.20	-43.60	101.20	-48.30	114.50	-40.70	118.00	0.05	146.30
10445	-344.47	-82.03	0.05	-124.12	0.05	-142.86	0.05	-167.86	0.05	-181.39	0.05
10451	-562.30	-133.90	0.05	-202.60	0.05	-233.20	0.05	-274.00	0.05	-296.10	0.05
10453	-108.00	-73.70	0.05	-107.80	0.10	-117.80	0.10	-99.00	0.10	-129.60	0.05
10455	-562.30	-133.90	0.05	-202.60	0.05	-233.20	0.05	-274.00	0.05	-296.10	0.05
10461	-395.69	-94.23	0.05	-142.57	0.05	-164.10	0.05	-192.81	0.05	-208.37	0.05
10462	141.30	-27.60	71.50	-40.20	106.10	-44.40	120.00	-36.60	124.50	0.05	153.30
10463	-205.00	-66.10	8.20	-98.90	11.10	-112.90	11.10	-130.40	10.10	-145.80	0.05
10465	-322.65	-78.46	0.05	-117.45	0.05	-135.81	0.05	-163.47	0.05	-173.18	0.05
10471	-458.50	-111.50	0.05	-166.90	0.05	-193.00	0.05	-232.30	0.05	-246.10	0.05
10472	341.10	0.05	99.00	0.05	148.20	0.05	169.20	0.05	195.50	0.05	218.60
10473	-353.40	-89.20	0.05	-134.10	0.05	-153.90	0.05	-187.90	0.05	-200.10	0.05
10475	-217.50	-53.50	0.05	-80.40	0.05	-92.30	0.05	-112.60	0.05	-119.90	0.05
10481	-217.50	-53.50	0.05	-80.40	0.05	-92.30	0.05	-112.60	0.05	-119.90	0.05
10482	370.60	0.05	91.60	0.05	137.60	0.05	158.00	0.05	192.80	0.05	205.30
10483	-416.50	-89.60	0.05	-135.00	0.05	-155.40	0.05	-195.70	0.05	-211.50	0.05
10485	0.05	0.05	0.05	0.05	0.05	0.05	0.05	0.05	0.05	0.05	0.05
10491	0.05	0.05	0.05	0.05	0.05	0.05	0.05	0.05	0.05	0.05	0.05
10492	329.10	0.05	69.30	0.05	104.50	0.05	120.30	0.05	151.40	0.05	163.70
10493	-415.50	-84.70	0.05	-125.90	0.05	-142.70	0.05	-177.60	0.05	-204.40	0.05
10495	113.26	0.05	23.69	0.05	35.69	0.05	41.12	0.05	51.74	0.05	53.65
10501	95.27	0.05	19.93	0.05	30.02	0.05	34.59	0.05	43.52	0.05	45.13
10502	298.50	0.05	63.10	0.05	93.00	0.05	105.20	0.05	127.40	0.05	147.40
10503	-814.30	-84.50	21.20	-128.20	32.00	-148.80	37.20	-201.70	48.60	-330.00	0.05
10504	409.10	-32.40	79.60	-48.90	120.80	-56.30	140.20	-71.50	189.60	0.05	269.20
10505	86.82	-21.05	43.79	-31.93	66.00	-37.06	75.95	-50.15	96.47	0.05	112.47
10511	113.40	-27.50	57.20	-41.70	86.20	-48.40	99.20	-65.50	126.00	0.05	146.90
10513	-543.80	-94.90	27.20	-144.00	41.00	-167.10	47.20	-226.00	61.50	-320.90	0.05
10514	465.20	-30.30	93.80	-45.60	142.30	-52.50	165.10	-68.50	222.20	0.05	307.40
10515	-96.90	-66.50	70.80	-100.90	106.70	-117.00	122.80	-157.60	155.90	-210.10	0.05
10521	-62.75	-43.07	45.85	-65.34	69.10	-75.77	79.53	-102.06	100.96	-136.06	0.05
10523	-541.60	-99.80	31.80	-151.30	48.00	-175.50	55.90	-236.30	72.90	-324.60	0.05
10524	506.50	-38.10	105.40	-57.50	159.80	-66.90	185.20	-87.20	247.70	0.05	334.60
10525	-246.35	-76.03	54.92	-115.28	82.83	-133.86	95.33	-180.49	121.04	-243.38	0.05
10531	-255.58	-78.88	56.98	-119.59	85.93	-138.88	98.90	-187.25	125.57	-252.49	0.05
10533	-377.93	-73.78	26.64	-111.89	40.23	-129.72	46.83	-173.41	61.05	-228.80	0.05
10534	470.60	-44.00	106.60	-66.40	161.50	-77.20	187.00	-100.70	247.50	0.05	319.80
10535	-459.70	-115.16	63.22	-174.49	95.34	-203.51	109.78	-274.26	139.28	-372.15	0.05
10541	-684.20	-171.40	94.10	-259.70	141.90	-302.90	163.40	-408.20	207.30	-553.90	0.05
10543	-378.50	-85.80	35.40	-130.00	53.40	-150.50	62.10	-199.10	81.10	-248.70	0.05
10544	371.70	-49.80	104.40	-75.10	157.90	-87.40	182.60	-114.00	238.20	0.05	287.90
10545	-949.30	-222.50	106.10	-338.10	160.10	-394.00	186.20	-530.20	242.90	-724.30	0.05
10551	-464.69	-108.92	51.94	-165.50	78.37	-192.87	91.15	-259.54	118.90	-354.55	0.05

2010 SOUTH TRUSS FORCES BASED ON 1996 LOAD RATING ANALYSIS FORCES

TRUSS MEMBER ENVELOPE FORCES TRANSFERRED TO GUSSET PLATE (KIPS)											
Member	Dead	2F1		3F1		4F1		5C1		(HS20-44)	
		Compr.	Tens.	Compr.	Tens.	Compr.	Tens.	Compr.	Tens.	Compr.	Tens.
10553	-162.60	-55.50	26.50	-84.00	40.00	-97.10	46.50	-126.70	60.60	-158.30	0.05
10554	69.80	-38.30	68.40	-57.90	103.30	-67.30	119.20	-87.80	152.00	0.05	182.30
10555	-365.62	-87.36	48.94	-133.09	73.88	-154.74	85.90	-207.11	112.09	-285.64	0.05
10561	-1001.10	-239.20	134.00	-364.40	202.30	-423.70	235.20	-567.10	306.90	-782.10	0.05
10563	-111.90	-65.40	0.05	-95.80	0.05	-104.70	0.05	-87.90	0.05	-115.10	0.05
10565	-1001.10	-239.20	134.00	-364.40	202.30	-423.70	235.20	-567.10	306.90	-782.10	0.05
10571	-365.62	-87.36	48.94	-133.09	73.88	-154.74	85.90	-207.11	112.09	-285.64	0.05
10572	242.50	-29.80	69.90	-44.80	105.50	-51.50	121.80	-63.50	155.60	0.05	204.00
10573	-280.70	-56.30	17.80	-85.20	26.80	-98.50	30.90	-128.60	39.20	-172.70	0.05
10575	-398.02	-106.97	71.62	-162.48	108.12	-189.34	125.73	-254.73	164.02	-347.76	0.05
10581	-825.30	-221.80	148.50	-336.90	224.20	-392.60	260.70	-528.20	340.10	-721.10	0.05
10582	492.60	-33.50	106.10	-50.50	160.40	-58.20	185.50	-73.80	242.10	0.05	293.90
10583	-374.00	-69.78	19.10	-105.64	28.82	-122.40	33.11	-161.99	42.10	-203.03	0.05
10585	-477.40	-169.80	141.40	-257.30	213.50	-300.10	248.30	-404.30	323.90	-548.20	0.05
10591	-345.94	-123.04	102.46	-186.45	154.71	-217.46	179.93	-292.97	234.71	-397.25	0.05
10592	541.50	-29.50	107.90	-44.50	163.40	-51.30	189.30	-65.10	250.60	0.05	324.50
10593	-402.34	-71.32	17.06	-108.08	25.74	-125.21	29.58	-167.40	37.58	-221.36	0.05
10595	-90.20	-79.59	87.65	-120.70	132.33	-140.05	153.82	-188.66	200.70	-254.07	0.05
10601	-131.00	-115.60	127.30	-175.30	192.20	-203.40	223.40	-274.00	291.50	-369.00	0.05
10602	514.10	-38.40	106.40	-58.00	161.30	-67.40	186.90	-88.00	249.90	0.05	337.80
10603	-544.90	-99.90	31.70	-151.50	47.90	-175.80	55.70	-236.40	72.60	-325.10	0.05
10605	154.40	-64.50	106.10	-97.80	160.10	-113.40	186.20	-152.60	242.90	0.05	297.80
10611	88.23	-36.86	60.63	-55.89	91.49	-64.80	106.40	-87.20	138.80	0.05	170.17
10612	419.00	-47.60	94.70	-71.90	143.70	-83.50	166.60	-109.00	224.10	0.05	310.40
10613	-497.80	-95.20	42.60	-144.50	64.20	-167.70	74.70	-226.70	97.50	-321.20	0.05
10615	219.14	-16.06	54.34	-24.38	81.98	-28.29	95.36	-38.27	124.35	0.05	145.79
10621	214.84	-15.75	53.27	-23.91	80.38	-27.73	93.49	-37.52	121.91	0.05	142.93
10622	277.00	-59.60	80.60	-89.90	122.30	-104.60	141.90	-136.40	191.90	0.05	272.00
10623	-651.30	-85.00	39.90	-129.10	60.20	-149.90	69.50	-203.50	88.50	-320.30	0.05
10624	248.60	0.05	63.00	0.05	93.30	0.05	105.40	0.05	109.50	0.05	133.60
10625	242.16	0.05	42.47	0.05	64.13	0.05	73.97	0.05	95.06	0.05	100.76
10631	216.70	0.05	38.00	0.05	57.38	0.05	66.19	0.05	85.07	0.05	90.17
10633	-415.70	-82.80	0.05	-124.00	0.05	-141.50	0.05	-165.80	0.05	-201.80	0.05
10634	324.10	0.05	66.90	0.05	99.20	0.05	112.10	0.05	137.80	0.05	161.10
10635	117.45	0.05	23.70	0.05	35.81	0.05	41.28	0.05	52.58	0.05	53.98
10641	161.36	0.05	32.56	0.05	49.20	0.05	56.72	0.05	72.24	0.05	74.16
10643	-428.50	-83.00	0.05	-124.20	0.05	-142.00	0.05	-179.90	0.05	-208.90	0.05
10644	368.50	0.05	74.80	0.05	112.90	0.05	130.30	0.05	165.90	0.05	181.60
10645	0.05	0.05	0.05	0.05	0.05	0.05	0.05	0.05	0.05	0.05	0.05
10651	0.05	0.05	0.05	0.05	0.05	0.05	0.05	0.05	0.05	0.05	0.05
10653	-407.90	-84.20	0.05	-127.10	0.05	-146.60	0.05	-186.70	0.05	-204.30	0.05
10654	374.90	0.05	89.60	0.05	134.90	0.05	155.00	0.05	190.50	0.05	201.80
10655	-239.10	-56.90	0.05	-85.70	0.05	-98.50	0.05	-121.00	0.05	-128.20	0.05
10661	-239.10	-56.90	0.05	-85.70	0.05	-98.50	0.05	-121.00	0.05	-128.20	0.05
10663	-333.60	-81.10	0.05	-122.10	0.05	-140.30	0.05	-172.40	0.05	-182.60	0.05
10664	308.80	-3.10	89.50	-4.20	134.00	-4.30	153.10	-3.80	177.60	0.05	198.00
10665	-456.60	-107.90	0.05	-161.60	0.05	-187.00	0.05	-226.00	0.05	-238.80	0.05
10671	-299.01	-70.66	0.05	-105.83	0.05	-122.46	0.05	-148.00	0.05	-156.38	0.05
10673	-185.40	-59.40	10.30	-88.90	14.00	-101.60	14.30	-117.80	12.60	-131.30	0.05
10674	107.40	-32.00	62.20	-46.70	92.30	-51.70	104.40	-43.50	108.40	0.05	133.40
10675	-342.94	-79.76	0.05	-120.67	0.05	-138.91	0.05	-163.50	0.05	-176.41	0.05
10681	-534.00	-124.20	0.05	-187.90	0.05	-216.30	0.05	-254.60	0.05	-274.70	0.05
10683	-108.60	-72.10	0.05	-105.60	0.05	-115.40	0.05	-97.00	0.05	-127.00	0.05
10685	-534.00	-124.20	0.05	-187.90	0.05	-216.30	0.05	-254.60	0.05	-274.70	0.05
10691	-342.94	-79.76	0.05	-120.67	0.05	-138.91	0.05	-163.50	0.05	-176.41	0.05

2010 SOUTH TRUSS FORCES BASED ON 1996 LOAD RATING ANALYSIS FORCES

TRUSS MEMBER ENVELOPE FORCES TRANSFERRED TO GUSSET PLATE (KIPS)											
Member	Dead	2F1		3F1		4F1		5C1		(HS20-44)	
		Compr.	Tens.	Compr.	Tens.	Compr.	Tens.	Compr.	Tens.	Compr.	Tens.
10692	117.80	-30.00	64.50	-43.70	95.80	-48.40	108.40	-40.80	112.50	0.05	138.40
10693	-191.70	-61.10	9.50	-91.40	13.00	-104.50	13.30	-121.10	11.70	-135.10	0.05
10695	-294.69	-69.55	0.05	-104.19	0.05	-120.50	0.05	-145.64	0.05	-153.89	0.05
10701	-450.00	-106.20	0.05	-159.10	0.05	-184.00	0.05	-222.40	0.05	-235.00	0.05
10702	311.80	-2.60	90.10	-3.50	134.90	-3.60	154.20	-3.10	178.80	0.05	199.30
10703	-335.60	-81.60	0.05	-122.70	0.05	-141.10	0.05	-173.40	0.05	-183.60	0.05
10705	-234.20	-55.60	0.05	-83.70	0.05	-96.20	0.05	-118.20	0.05	-125.20	0.05
10711	-234.20	-55.60	0.05	-83.70	0.05	-96.20	0.05	-118.20	0.05	-125.20	0.05
10712	375.60	0.05	89.60	0.05	134.80	0.05	155.00	0.05	190.40	0.05	201.70
10713	-408.60	-84.20	0.05	-127.10	0.05	-146.60	0.05	-186.70	0.05	-204.30	0.05
10715	0.05	0.05	0.05	0.05	0.05	0.05	0.05	0.05	0.05	0.05	0.05
10721	0.05	0.05	0.05	0.05	0.05	0.05	0.05	0.05	0.05	0.05	0.05
10722	370.70	0.05	74.70	0.05	112.80	0.05	130.20	0.05	165.80	0.05	181.40
10723	-432.20	-83.00	0.05	-124.20	0.05	-142.00	0.05	-179.90	0.05	-208.90	0.05
10725	149.37	0.05	29.97	0.05	45.21	0.05	52.12	0.05	66.38	0.05	68.12
10731	99.49	0.05	19.96	0.05	30.11	0.05	34.71	0.05	44.21	0.05	45.37
10732	330.60	0.05	67.20	0.05	99.60	0.05	112.60	0.05	138.60	0.05	161.90
10733	-421.80	-82.90	0.05	-124.00	0.05	-141.60	0.05	-166.20	0.05	-202.30	0.05
10735	204.32	0.05	35.46	0.05	53.55	0.05	61.77	0.05	79.44	0.05	84.16
10741	148.82	0.05	25.82	0.05	39.00	0.05	44.99	0.05	57.86	0.05	61.30
10742	254.80	0.05	63.30	0.05	93.70	0.05	105.90	0.05	110.30	0.05	134.30
10743	-770.70	-84.50	33.00	-128.80	49.80	-150.10	57.50	-210.60	74.20	-402.90	0.05
10744	387.00	-52.50	82.90	-79.20	126.30	-92.10	147.20	-120.20	206.30	0.05	358.60
10745	202.68	-18.66	56.20	-28.44	84.91	-33.13	98.69	-46.49	128.78	0.05	167.90
10751	162.80	-14.99	45.14	-22.85	68.21	-26.61	79.27	-37.34	103.45	0.05	134.87
10753	-579.20	-97.60	41.70	-148.80	62.90	-173.50	73.20	-243.10	95.50	-422.50	0.05
10754	489.20	-45.70	99.70	-68.90	151.90	-80.10	177.00	-104.60	247.00	0.05	416.80
10755	41.88	-31.39	47.34	-47.81	71.48	-55.72	83.11	-77.79	108.47	0.05	162.78
10761	89.00	-66.70	100.60	-101.60	151.90	-118.40	176.60	-165.30	230.50	0.05	345.90
10763	-601.70	-106.60	44.60	-162.40	67.80	-189.30	79.10	-264.10	107.90	-443.70	0.05
10764	440.00	-41.20	91.52	-62.72	139.28	-73.12	162.24	-99.84	225.28	0.05	370.80
10765	-193.50	-120.20	121.00	-183.00	182.60	-213.20	212.40	-296.00	277.10	-488.70	0.05
10771	-94.39	-58.63	59.02	-89.27	89.07	-104.00	103.61	-144.39	135.17	-238.39	0.05
10773	-575.60	-108.00	48.70	-164.50	74.00	-191.60	86.40	-266.10	117.90	-432.30	0.05
10774	449.16	-48.54	99.35	-73.82	151.20	-86.18	176.00	-117.60	243.03	0.05	387.85
10775	-276.04	-96.58	72.96	-146.92	110.17	-171.01	128.07	-237.14	167.12	-392.98	0.05
10781	-525.90	-184.00	139.00	-279.90	209.90	-325.80	244.00	-451.80	318.40	-748.70	0.05
10783	-476.90	-97.90	47.80	-149.00	72.70	-173.40	84.90	-239.40	115.80	-370.60	0.05
10784	371.04	-50.08	93.84	-76.16	142.72	-88.88	166.00	-121.36	227.60	0.05	342.80
10785	-830.20	-244.90	148.30	-372.50	223.80	-434.60	260.30	-602.20	339.60	-998.10	0.05
10791	-830.20	-244.90	148.30	-372.50	223.80	-434.60	260.30	-602.20	339.60	-998.10	0.05
10793	-327.30	-83.00	44.30	-126.10	67.30	-146.70	78.60	-201.20	107.20	-289.10	0.05
10794	281.10	-60.40	102.80	-91.90	156.10	-107.20	181.40	-146.40	246.70	0.05	336.40
10795	-1024.40	-292.90	172.20	-445.20	262.00	-520.50	305.70	-719.30	417.20	-1195.60	0.05
10801	-1024.40	-292.90	172.20	-445.20	262.00	-520.50	305.70	-719.30	417.20	-1195.60	0.05
10803	-147.90	-64.20	37.80	-97.60	57.40	-113.40	67.00	-154.20	91.50	-225.50	0.05
10804	38.30	-52.50	80.20	-79.90	121.80	-93.20	141.30	-127.20	190.20	0.05	266.00
10805	-1052.20	-319.40	209.10	-486.50	318.00	-568.00	371.00	-783.50	506.40	-1306.20	0.05
10811	-447.31	-135.78	88.89	-206.82	135.19	-241.47	157.72	-333.08	215.28	-555.29	0.05
10813	18.00	-50.80	33.20	-77.00	50.50	-89.40	59.00	-120.30	80.50	0.05	167.00
10814	-194.00	-46.50	63.00	-70.70	95.50	-82.50	110.60	-112.60	146.90	-251.90	0.05
10815	-565.69	-202.31	149.34	-308.74	227.13	-359.92	265.03	-494.38	361.71	-829.30	0.05
10821	-916.30	-327.70	241.90	-500.10	367.90	-583.00	429.30	-800.80	585.90	-1343.30	0.05
10823	-116.60	-70.60	0.05	-103.40	0.05	-113.00	0.05	-94.90	0.05	-124.30	0.05
10825	-916.30	-327.70	241.90	-500.10	367.90	-583.00	429.30	-800.80	585.90	-1343.30	0.05

2010 SOUTH TRUSS FORCES BASED ON 1996 LOAD RATING ANALYSIS FORCES

TRUSS MEMBER ENVELOPE FORCES TRANSFERRED TO GUSSET PLATE (KIPS)											
Member	Dead	2F1		3F1		4F1		5C1		(HS20-44)	
		Compr.	Tens.	Compr.	Tens.	Compr.	Tens.	Compr.	Tens.	Compr.	Tens.
10831	-325.80	-116.52	86.01	-177.81	130.81	-207.29	152.64	-284.73	208.32	-477.62	0.05
10832	429.00	-38.30	70.00	-57.90	106.10	-67.00	122.90	-87.40	163.20	0.05	289.60
10833	-426.40	-55.90	23.10	-84.80	34.90	-98.50	40.30	-132.50	51.30	-235.70	0.05
10835	-362.38	-185.26	155.85	-282.13	237.11	-329.38	276.65	-454.36	377.58	-757.46	0.05
10841	-615.00	-314.40	264.50	-478.80	402.40	-559.00	469.50	-771.10	640.80	-1285.50	0.05
10842	487.52	-23.92	71.04	-36.16	107.76	-42.08	125.04	-54.88	168.32	0.05	255.20
10843	-432.11	-54.86	16.61	-83.30	25.11	-96.82	29.21	-131.60	38.10	-206.01	0.05
10845	-193.30	-281.80	276.20	-428.30	420.10	-500.70	490.10	-692.00	669.00	-1150.30	0.05
10851	-106.07	-154.63	151.56	-235.02	230.52	-274.75	268.94	-379.73	367.10	-631.21	0.05
10852	580.88	-25.67	84.66	-38.79	128.66	-45.06	149.52	-58.83	203.30	0.05	278.42
10853	-651.70	-84.50	23.30	-128.50	35.10	-149.50	40.80	-205.00	53.30	-295.00	0.05
10855	149.98	-123.68	145.23	-188.08	220.94	-219.46	257.76	-304.09	351.80	0.05	599.20
10861	283.90	-234.10	274.90	-356.00	418.20	-415.40	487.90	-575.60	665.90	0.05	1134.20
10862	543.80	-24.76	90.08	-37.41	137.00	-43.55	159.39	-56.81	218.50	0.05	330.13
10863	-673.70	-98.80	24.90	-150.30	37.60	-175.00	43.70	-241.60	57.00	-374.50	0.05
10865	732.70	-174.90	256.40	-266.20	390.00	-309.80	455.00	-429.50	621.00	0.05	1026.00
10871	229.52	-54.79	80.32	-83.39	122.17	-97.05	142.53	-134.54	194.53	0.05	321.40
10872	451.66	-43.87	94.11	-66.66	143.19	-77.78	166.68	-106.17	230.07	0.05	366.72
10873	-604.90	-107.10	45.80	-163.10	69.70	-190.00	81.40	-263.80	111.00	-428.30	0.05
10875	587.61	-63.33	123.57	-96.40	188.01	-112.28	219.31	-155.93	299.35	0.05	481.68
10881	1066.10	-114.90	224.20	-174.90	341.10	-203.70	397.90	-282.90	543.10	0.05	873.90
10882	377.60	-77.30	113.90	-117.50	173.40	-137.10	201.90	-187.20	280.40	0.05	461.60
10883	-459.00	-106.60	66.90	-162.30	101.70	-189.20	118.70	-264.00	162.00	-443.50	0.05
10885	1252.70	-63.70	186.40	-97.00	283.50	-113.10	330.80	-157.80	451.50	0.05	709.80
10891	509.57	-25.91	75.82	-39.46	115.32	-46.01	134.56	-64.19	183.66	0.05	288.73
10892	197.70	-85.30	98.90	-129.70	150.70	-151.30	175.70	-206.60	245.10	0.05	413.50
10893	-318.40	-97.10	77.80	-148.00	118.40	-172.50	138.10	-241.80	188.60	-420.20	0.05
10895	514.49	-10.07	58.82	-15.32	89.51	-17.87	104.40	-25.05	142.50	0.05	219.50
10901	1333.00	-26.10	152.40	-39.70	231.90	-46.30	270.50	-64.90	369.20	0.05	568.70
10902	-65.80	-99.20	82.80	-150.90	126.20	-176.10	147.20	-240.40	206.30	-423.40	0.05
10903	229.50	-83.20	156.70	-127.00	237.60	-148.30	276.90	-209.00	373.90	0.05	577.80
10904	-350.40	-66.50	57.90	-100.80	85.20	-116.80	96.60	-155.90	94.30	-211.60	0.05
10905	1428.70	0.05	143.20	0.05	217.30	0.05	253.70	0.05	344.50	0.05	493.40
10911	549.50	0.05	55.08	0.05	83.58	0.05	97.58	0.05	132.50	0.05	189.77
10913	-208.40	-80.00	18.60	-119.80	28.20	-137.00	32.70	-159.70	43.40	-177.20	0.05
10914	88.30	-20.70	65.50	-31.40	97.40	-36.30	110.30	-48.30	117.90	0.05	141.00
10915	780.74	0.05	85.31	0.05	129.35	0.05	150.80	0.05	203.65	0.05	275.43
10921	652.50	0.05	71.30	0.05	108.10	0.05	126.03	0.05	170.20	0.05	230.19
10923	-268.00	-79.70	5.40	-119.10	8.10	-135.90	9.40	-154.40	12.50	-175.20	0.05
10924	171.00	-6.60	68.00	-10.00	100.60	-11.60	113.70	-15.40	117.50	0.05	144.20
10925	454.06	0.05	54.43	0.05	82.50	0.05	95.73	0.05	128.49	0.05	163.77
10931	573.81	0.05	68.78	0.05	104.25	0.05	120.97	0.05	162.37	0.05	206.96
10933	-441.20	-80.10	0.05	-120.00	0.05	-137.40	0.05	-161.70	0.05	-199.50	0.05
10934	417.50	0.05	78.40	0.05	116.70	0.05	132.30	0.05	146.20	0.05	190.60
10935	443.88	0.05	58.71	0.05	88.99	0.05	103.14	0.05	136.96	0.05	163.92
10941	746.03	0.05	98.67	0.05	149.57	0.05	173.35	0.05	230.19	0.05	275.50
10943	-430.62	-58.98	0.05	-89.02	0.05	-102.76	0.05	-132.22	0.05	-178.11	0.05
10944	535.84	0.05	76.16	0.05	114.64	0.05	131.76	0.05	173.20	0.05	223.12
10945	320.02	0.05	47.08	0.05	71.31	0.05	82.67	0.05	109.73	0.05	121.10
10951	443.76	0.05	65.28	0.05	98.88	0.05	114.64	0.05	152.16	0.05	167.92
10953	-446.33	-59.64	0.05	-90.62	0.05	-105.31	0.05	-142.18	0.05	-183.35	0.05
10954	580.07	0.05	85.56	0.05	129.66	0.05	150.27	0.05	199.58	0.05	243.44
10955	0.05	0.05	0.05	0.05	0.05	0.05	0.05	0.05	0.05	0.05	0.05
10961	0.05	0.05	0.05	0.05	0.05	0.05	0.05	0.05	0.05	0.05	0.05
10963	-543.90	-81.60	0.05	-123.70	0.05	-143.40	0.05	-190.40	0.05	-232.30	0.05

2010 SOUTH TRUSS FORCES BASED ON 1996 LOAD RATING ANALYSIS FORCES

TRUSS MEMBER ENVELOPE FORCES TRANSFERRED TO GUSSET PLATE (KIPS)											
Member	Dead	2F1		3F1		4F1		5C1		(HS20-44)	
		Compr.	Tens.	Compr.	Tens.	Compr.	Tens.	Compr.	Tens.	Compr.	Tens.
10964	438.87	0.05	72.87	0.05	110.27	0.05	127.53	0.05	166.47	0.05	192.13
10965	-498.40	-82.50	0.05	-124.90	0.05	-144.40	0.05	-188.50	0.05	-195.00	0.05
10971	-268.57	-44.46	0.05	-67.30	0.05	-77.81	0.05	-101.58	0.05	-105.08	0.05
10973	-436.10	-73.60	0.05	-111.40	0.05	-128.80	0.05	-168.10	0.05	-194.00	0.05
10974	506.90	-10.40	98.50	-14.20	148.70	-14.40	171.60	-12.70	218.50	0.05	236.50
10975	-509.68	-83.77	0.05	-126.43	0.05	-145.89	0.05	-187.52	0.05	-198.72	0.05
10981	-441.73	-72.60	0.05	-109.57	0.05	-126.44	0.05	-162.52	0.05	-172.22	0.05
10983	-317.10	-63.50	7.50	-95.90	10.30	-110.60	10.50	-140.80	9.20	-152.20	0.05
10984	325.60	-26.10	83.80	-38.10	126.10	-42.20	145.00	-35.50	178.20	0.05	188.70
10985	-544.53	-88.64	0.05	-133.49	0.05	-155.41	0.05	-198.30	0.05	-211.58	0.05
10991	-598.84	-97.49	0.05	-146.81	0.05	-170.92	0.05	-218.08	0.05	-232.69	0.05
10993	-189.40	-52.40	17.80	-78.90	26.00	-90.70	28.80	-111.40	24.20	-118.00	0.05
10994	122.30	-43.90	67.00	-65.20	100.30	-73.70	114.60	-76.50	132.90	0.05	148.10
10995	-624.45	-100.70	0.05	-152.84	0.05	-176.84	0.05	-222.52	0.05	-242.32	0.05
11001	-1235.90	-199.30	0.05	-302.50	0.05	-350.00	0.05	-440.40	0.05	-479.60	0.05
11003	-110.30	-69.30	0.10	-101.40	0.20	-110.80	0.20	-92.90	0.30	-121.80	0.05
11005	-1235.90	-199.30	0.05	-302.50	0.05	-350.00	0.05	-440.40	0.05	-479.60	0.05
11011	-624.45	-100.70	0.05	-152.84	0.05	-176.84	0.05	-222.52	0.05	-242.32	0.05
11012	84.40	-49.00	61.90	-72.80	92.70	-82.40	105.90	-85.50	122.80	0.05	136.90
11013	-164.30	-48.60	20.20	-73.10	29.50	-84.00	32.70	-103.20	27.50	-109.30	0.05
11015	-614.07	-99.85	0.05	-150.33	0.05	-175.01	0.05	-223.34	0.05	-238.25	0.05
11021	-584.55	-95.05	0.05	-143.10	0.05	-166.60	0.05	-212.60	0.05	-226.80	0.05
11022	305.40	-29.50	81.40	-43.00	122.50	-47.60	140.80	-40.10	173.00	0.05	183.20
11023	-305.10	-61.60	8.40	-92.90	11.40	-107.20	11.60	-136.50	10.20	-147.30	0.05
11025	-506.13	-82.96	0.05	-125.24	0.05	-144.49	0.05	-185.73	0.05	-196.80	0.05
11031	-505.24	-82.82	0.05	-125.02	0.05	-144.24	0.05	-185.40	0.05	-196.46	0.05
11032	504.70	-12.20	98.50	-16.60	148.70	-16.90	171.50	-14.90	218.40	0.05	235.90
11033	-428.20	-72.20	0.05	-109.20	0.05	-126.30	0.05	-164.80	0.05	-190.30	0.05
11035	-288.80	-47.64	0.05	-72.15	0.05	-83.42	0.05	-108.85	0.05	-112.66	0.05
11041	-530.40	-87.50	0.05	-132.50	0.05	-153.20	0.05	-199.90	0.05	-206.90	0.05
11042	541.60	0.05	89.68	0.05	135.68	0.05	156.88	0.05	204.72	0.05	236.32
11043	-545.90	-81.60	0.05	-123.70	0.05	-143.40	0.05	-190.40	0.05	-232.30	0.05
11045	0.05	0.05	0.05	0.05	0.05	0.05	0.05	0.05	0.05	0.05	0.05
11051	0.05	0.05	0.05	0.05	0.05	0.05	0.05	0.05	0.05	0.05	0.05
11052	593.25	0.05	87.15	0.05	132.08	0.05	153.08	0.05	203.25	0.05	247.95
11053	-397.66	-52.31	0.05	-79.67	0.05	-92.72	0.05	-125.75	0.05	-162.15	0.05
11055	504.21	0.05	73.85	0.05	111.92	0.05	129.72	0.05	172.31	0.05	190.11
11061	263.95	0.05	38.66	0.05	58.59	0.05	67.91	0.05	90.20	0.05	99.52
11062	527.71	0.05	75.99	0.05	114.10	0.05	130.85	0.05	170.92	0.05	220.15
11063	-402.15	-56.63	0.05	-85.33	0.05	-98.28	0.05	-124.67	0.05	-167.44	0.05
11065	681.11	0.05	89.72	0.05	136.01	0.05	157.61	0.05	209.31	0.05	250.50
11071	438.14	0.05	57.72	0.05	87.50	0.05	101.39	0.05	134.65	0.05	161.14
11072	461.50	0.05	81.80	0.05	122.00	0.05	138.70	0.05	156.50	0.05	205.10
11073	-467.80	-80.20	0.05	-120.40	0.05	-138.00	0.05	-164.70	0.05	-206.50	0.05
11075	796.06	0.05	94.94	0.05	143.94	0.05	167.00	0.05	224.17	0.05	285.78
11081	806.67	0.05	96.21	0.05	145.86	0.05	169.23	0.05	227.16	0.05	289.59
11082	241.30	0.05	71.50	0.05	106.10	0.05	120.10	0.05	127.90	0.05	153.50
11083	-321.50	-79.90	0.05	-119.70	0.05	-136.80	0.05	-158.80	0.05	-176.80	0.05
11085	672.00	0.05	73.13	0.05	110.85	0.05	129.18	0.05	174.50	0.05	235.98
11091	664.02	0.05	72.27	0.05	109.54	0.05	127.65	0.05	172.43	0.05	233.17
11092	-136.10	-43.70	61.20	-66.30	90.00	-76.80	101.90	-102.00	99.30	-129.50	0.05
11093	-10.20	-79.30	38.60	-118.20	58.50	-134.30	67.80	-148.00	90.10	-172.60	0.05
11095	389.88	0.05	38.89	0.05	59.02	0.05	68.90	0.05	93.55	0.05	133.99
11101	969.90	0.05	96.75	0.05	146.82	0.05	171.41	0.05	232.72	0.05	333.31
11102	-362.10	-67.30	57.70	-102.00	84.90	-118.20	96.20	-157.80	93.50	-214.50	0.05

2010 SOUTH TRUSS FORCES BASED ON 1996 LOAD RATING ANALYSIS FORCES

TRUSS MEMBER ENVELOPE FORCES TRANSFERRED TO GUSSET PLATE (KIPS)											
Member	Dead	2F1		3F1		4F1		5C1		(HS20-44)	
		Compr.	Tens.	Compr.	Tens.	Compr.	Tens.	Compr.	Tens.	Compr.	Tens.
11103	185.10	-82.90	158.80	-126.30	240.70	-147.10	280.50	-204.00	378.80	0.05	554.30
11104	0.50	-100.80	81.30	-153.30	123.70	-178.90	144.00	-244.20	198.50	0.05	331.80
11105	834.31	-15.07	95.35	-22.90	145.02	-26.64	169.19	-36.77	230.97	0.05	349.29
11111	551.28	-9.96	63.01	-15.13	95.82	-17.60	111.79	-24.29	152.62	0.05	230.80
11113	-413.20	-93.80	76.60	-142.70	116.50	-166.10	135.90	-229.10	185.50	-382.80	0.05
11114	301.20	-85.70	95.00	-130.40	144.40	-152.20	168.00	-207.70	230.50	0.05	378.60
11115	488.65	-23.76	74.82	-36.17	113.82	-42.06	132.78	-57.72	181.23	0.05	274.08
11121	1260.50	-61.30	193.00	-93.30	293.60	-108.50	342.50	-148.90	467.50	0.05	707.00
11123	-612.80	-98.90	59.40	-150.30	90.30	-174.80	105.40	-240.00	143.90	-392.10	0.05
11124	402.86	-49.74	75.04	-75.61	114.07	-88.19	132.61	-120.39	181.05	0.05	292.53
11125	984.50	-106.70	226.80	-162.20	345.10	-188.50	402.60	-257.70	549.50	0.05	830.90
11131	452.45	-49.04	104.23	-74.54	158.60	-86.63	185.02	-118.43	252.54	0.05	381.86
11133	-766.00	-95.10	35.90	-144.50	54.60	-168.00	63.70	-229.40	87.00	-365.10	0.05
11134	631.70	-35.62	84.97	-54.20	129.07	-63.16	149.83	-86.26	203.54	0.05	320.25
11135	211.09	-59.83	97.16	-90.86	147.83	-105.89	172.44	-145.24	235.40	0.05	355.94
11141	546.20	-154.80	251.40	-235.10	382.50	-274.00	446.20	-375.80	609.10	0.05	921.00
11143	-824.80	-82.80	10.40	-125.80	15.80	-146.10	18.40	-198.40	25.10	-302.20	0.05
11144	723.31	-10.71	76.37	-16.27	115.92	-19.01	134.53	-25.94	182.14	0.05	269.62
11145	2.60	-195.60	259.40	-297.00	394.60	-347.00	460.40	-476.60	628.50	0.05	950.30
11151	1.15	-86.52	114.73	-131.37	174.53	-153.48	203.64	-210.80	277.99	0.05	420.33
11153	-778.10	-66.70	6.40	-101.20	9.60	-117.40	11.00	-159.00	12.80	-259.90	0.05
11154	693.65	-8.48	62.60	-12.76	94.98	-14.70	110.17	-18.25	148.86	0.05	237.46
11155	-231.86	-95.81	108.10	-145.89	164.44	-170.31	191.87	-234.88	261.89	-395.70	0.05
11161	-537.50	-222.10	250.60	-338.20	381.20	-394.80	444.80	-544.50	607.10	-917.30	0.05
11163	-451.30	-36.20	11.39	-54.95	17.18	-63.75	19.77	-86.11	24.55	-162.61	0.05
11164	602.78	-21.89	52.50	-33.13	79.59	-38.33	92.34	-49.40	124.21	0.05	233.08
11165	-997.20	-236.50	231.70	-360.60	352.50	-420.70	411.20	-580.70	561.30	-987.80	0.05
11171	-406.70	-96.45	94.50	-147.07	143.76	-171.58	167.71	-236.83	228.92	-402.87	0.05
11173	-393.62	-33.97	16.43	-51.58	24.83	-59.83	28.74	-80.54	36.99	-158.27	0.05
11174	553.80	-34.50	54.60	-52.30	82.70	-60.60	95.90	-80.00	128.00	0.05	253.60
11175	-729.78	-131.27	112.92	-200.33	171.80	-233.54	200.44	-321.75	273.58	-550.55	0.05
11181	-1355.90	-243.90	209.80	-372.20	319.20	-433.90	372.40	-597.80	508.30	-1022.90	0.05
11183	-114.40	-61.10	0.10	-89.40	0.20	-97.70	0.20	-82.20	0.30	-107.60	0.05
11185	-1355.80	-243.90	209.80	-372.20	319.20	-433.90	372.40	-597.80	508.30	-1022.90	0.05
11191	-754.88	-135.80	116.81	-207.23	177.72	-241.59	207.34	-332.84	283.01	-569.53	0.05
11192	-350.30	-42.40	45.50	-64.20	68.90	-74.30	79.90	-98.00	106.80	-223.60	0.05
11193	150.80	-39.30	29.80	-59.60	45.40	-69.10	52.90	-93.00	72.20	0.05	155.60
11195	-827.84	-126.37	95.95	-192.68	145.93	-224.77	170.24	-310.23	232.38	-527.74	0.05
11201	-1586.70	-242.20	183.90	-369.30	279.70	-430.80	326.30	-594.60	445.40	-1011.50	0.05
11202	-97.20	-46.60	61.40	-70.90	93.10	-82.70	108.00	-112.90	145.40	-218.80	0.05
11203	-44.90	-53.20	35.80	-80.70	54.40	-93.70	63.50	-126.60	86.60	-170.60	0.05
11205	-1650.30	-227.50	152.90	-346.30	232.50	-404.20	271.30	-557.40	370.30	-939.40	0.05
11211	-881.67	-121.54	81.69	-185.01	124.21	-215.94	144.94	-297.79	197.83	-501.87	0.05
11212	183.10	-53.40	79.50	-81.30	120.60	-94.80	140.00	-129.40	189.20	0.05	258.90
11213	-260.70	-69.40	41.30	-105.30	62.90	-122.20	73.40	-165.50	100.20	-237.70	0.05
11215	-764.75	-98.90	58.90	-150.20	89.65	-175.50	104.55	-241.05	142.75	-401.50	0.05
11221	-1529.50	-197.80	117.80	-300.40	179.30	-351.00	209.10	-482.10	285.50	-803.00	0.05
11222	432.40	-55.80	93.70	-84.90	142.20	-99.00	165.00	-135.20	223.30	0.05	331.10
11223	-464.50	-84.20	44.40	-127.70	67.60	-148.20	78.80	-200.70	107.60	-305.80	0.05
11225	-1256.70	-156.80	82.80	-238.00	125.90	-277.50	146.90	-379.70	200.60	-622.00	0.05
11231	-547.95	-68.37	36.10	-103.77	54.89	-121.00	64.05	-165.56	87.47	-271.20	0.05
11232	606.40	-53.30	101.00	-81.10	153.30	-94.70	177.90	-129.20	240.90	0.05	376.10
11233	-628.40	-94.60	44.30	-143.60	67.30	-166.60	78.50	-225.60	107.20	-356.80	0.05
11235	-351.78	-43.18	20.19	-65.48	30.71	-76.00	35.82	-103.28	48.91	-166.46	0.05
11241	-902.60	-110.80	51.80	-168.00	78.80	-195.00	91.90	-265.00	125.50	-427.10	0.05

2010 SOUTH TRUSS FORCES BASED ON 1996 LOAD RATING ANALYSIS FORCES

TRUSS MEMBER ENVELOPE FORCES TRANSFERRED TO GUSSET PLATE (KIPS)											
Member	Dead	2F1		3F1		4F1		5C1		(HS20-44)	
		Compr.	Tens.	Compr.	Tens.	Compr.	Tens.	Compr.	Tens.	Compr.	Tens.
11242	577.08	-39.06	83.50	-59.42	126.79	-69.35	147.06	-94.68	199.20	0.05	318.46
11243	-734.90	-99.40	41.10	-150.80	62.50	-174.90	73.00	-236.80	99.60	-382.20	0.05
11245	-539.70	-66.20	27.40	-100.40	41.60	-116.50	48.60	-157.60	66.30	-246.90	0.05
11251	-365.90	-44.88	18.58	-68.07	28.20	-78.98	32.95	-106.85	44.95	-167.39	0.05
11252	517.82	-28.51	68.90	-43.34	104.47	-50.54	121.25	-69.05	164.09	0.05	265.75
11253	-786.50	-98.30	36.00	-149.20	54.70	-173.00	63.80	-234.10	87.10	-380.70	0.05
11255	-145.67	-17.87	6.53	-27.13	9.93	-31.47	11.60	-42.60	15.87	-64.40	0.05
11261	-218.50	-26.80	9.80	-40.70	14.90	-47.20	17.40	-63.90	23.80	-96.60	0.05
11262	714.50	-32.40	88.50	-49.20	134.20	-57.40	155.70	-78.40	210.50	0.05	342.40
11263	-785.70	-94.10	31.10	-142.70	47.30	-165.50	55.20	-223.60	75.30	-353.70	0.05
11273	-532.40	-100.90	0.05	-152.10	0.05	-175.10	0.05	-224.00	0.05	-243.80	0.05
11274	515.30	0.05	101.80	0.05	153.50	0.05	176.70	0.05	224.00	0.05	253.20
11275	-272.90	-53.60	0.05	-80.80	0.05	-93.00	0.05	-118.00	0.05	-121.40	0.05
11281	-272.90	-53.60	0.05	-80.80	0.05	-93.00	0.05	-118.00	0.05	-121.40	0.05
11283	-433.60	-86.60	0.05	-130.50	0.05	-150.30	0.05	-190.60	0.05	-215.40	0.05
11284	390.20	-9.00	89.00	-12.10	133.90	-12.10	153.90	-11.10	191.80	0.05	205.50
11285	-496.40	-94.20	0.05	-141.80	0.05	-163.60	0.05	-207.10	0.05	-214.20	0.05
11291	-220.62	-41.87	0.05	-63.02	0.05	-72.71	0.05	-92.04	0.05	-95.20	0.05
11293	-314.50	-73.20	7.40	-110.20	10.00	-126.60	10.00	-157.80	9.10	-169.10	0.05
11294	240.00	-22.90	72.00	-33.40	108.10	-37.00	123.90	-30.40	149.30	0.05	160.80
11295	-347.45	-63.76	0.05	-96.22	0.05	-111.71	0.05	-141.38	0.05	-148.36	0.05
11301	-637.00	-116.90	0.05	-176.40	0.05	-204.80	0.05	-259.20	0.05	-272.00	0.05
11303	-186.20	-58.40	18.60	-87.70	27.10	-100.50	30.00	-121.10	24.60	-130.50	0.05
11304	92.40	-36.00	57.60	-53.50	86.00	-60.70	98.00	-63.00	111.00	0.05	126.20
11305	-692.80	-124.90	0.05	-189.20	0.05	-219.20	0.05	-276.00	0.05	-294.00	0.05
11311	-302.31	-54.50	0.05	-82.56	0.05	-95.65	0.05	-120.44	0.05	-128.29	0.05
11313	199.80	-75.90	0.05	-111.20	0.05	-121.70	0.05	-103.60	0.05	-134.50	0.05
11315	-302.14	-54.50	0.05	-82.52	0.05	-95.61	0.05	-120.39	0.05	-128.25	0.05
11321	-692.40	-124.90	0.05	-189.10	0.05	-219.10	0.05	-275.90	0.05	-293.90	0.05
11322	70.90	-40.00	51.30	-59.20	76.90	-66.70	88.00	-66.40	103.00	0.05	113.90
11323	-167.10	-51.50	19.70	-77.50	28.50	-89.20	31.30	-110.40	24.40	-116.20	0.05
11325	-649.60	-116.40	0.05	-175.30	0.05	-203.80	0.05	-260.20	0.05	-273.50	0.05
11331	-341.89	-61.26	0.05	-92.26	0.05	-107.26	0.05	-136.95	0.05	-143.95	0.05
11332	227.50	-25.10	65.60	-36.30	98.90	-39.90	113.70	-31.10	140.80	0.05	148.20
11333	-302.50	-64.90	6.90	-98.10	9.00	-113.20	9.10	-144.90	8.70	-157.00	0.05
11335	-228.53	-40.81	0.05	-61.64	0.05	-71.16	0.05	-91.28	0.05	-95.59	0.05
11341	-509.00	-90.90	0.05	-137.30	0.05	-158.50	0.05	-203.30	0.05	-212.90	0.05
11342	399.00	-8.80	82.90	-11.40	125.10	-11.60	144.40	-11.10	184.90	0.05	200.30
11343	-425.10	-76.80	0.05	-116.10	0.05	-134.20	0.05	-175.10	0.05	-199.10	0.05
11345	-262.40	-46.60	0.05	-70.50	0.05	-81.40	0.05	-106.20	0.05	-108.10	0.05
11351	-262.40	-46.60	0.05	-70.50	0.05	-81.40	0.05	-106.20	0.05	-108.10	0.05
11352	507.90	0.05	89.80	0.05	135.80	0.05	157.00	0.05	204.80	0.05	232.90
11353	-501.10	-87.00	0.05	-131.50	0.05	-152.10	0.05	-199.80	0.05	-223.00	0.05
20003	-430.40	-85.80	0.05	-129.80	0.05	-150.10	0.05	-195.90	0.05	-207.40	0.05
20005	0.50	0.05	0.05	0.05	0.05	0.05	0.05	0.05	0.05	0.05	0.05
20011	0.50	0.05	0.05	0.05	0.05	0.05	0.05	0.05	0.05	0.05	0.05
20012	452.00	0.05	91.90	0.05	138.70	0.05	160.00	0.05	203.80	0.05	223.00
20013	-427.00	-87.90	0.05	-132.80	0.05	-153.20	0.05	-195.10	0.05	-213.50	0.05
20015	283.10	0.05	57.20	0.05	86.30	0.05	99.60	0.05	126.90	0.05	130.20
20021	168.33	0.05	34.01	0.05	51.31	0.05	59.22	0.05	75.45	0.05	77.42
20022	432.10	0.05	100.50	0.05	151.20	0.05	173.80	0.05	213.50	0.05	226.10
20023	-335.50	-81.30	1.60	-122.30	2.20	-140.60	2.20	-172.70	1.90	-182.90	0.05
20025	349.15	0.05	70.11	0.05	105.49	0.05	121.74	0.05	152.97	0.05	157.84
20031	284.06	0.05	57.04	0.05	85.82	0.05	99.04	0.05	124.45	0.05	128.42
20032	336.80	-5.40	97.70	-7.80	146.30	-8.70	167.20	-7.30	193.90	0.05	216.20

2010 SOUTH TRUSS FORCES BASED ON 1996 LOAD RATING ANALYSIS FORCES

TRUSS MEMBER ENVELOPE FORCES TRANSFERRED TO GUSSET PLATE (KIPS)											
Member	Dead	2F1		3F1		4F1		5C1		(HS20-44)	
		Compr.	Tens.	Compr.	Tens.	Compr.	Tens.	Compr.	Tens.	Compr.	Tens.
20033	-204.50	-66.60	11.20	-99.70	16.40	-114.00	18.10	-132.20	15.30	-147.30	0.05
20035	406.26	0.05	80.93	0.05	122.10	0.05	141.49	0.05	175.42	0.05	181.68
20041	409.90	0.05	81.65	0.05	123.20	0.05	142.76	0.05	176.99	0.05	183.31
20042	153.00	-28.40	81.20	-42.20	120.60	-47.80	136.40	-49.60	141.60	0.05	174.30
20043	-6.30	-38.80	33.10	-57.60	49.20	-65.20	55.70	-67.70	57.80	-83.30	0.05
20045	449.64	0.05	89.59	0.05	135.14	0.05	156.61	0.05	194.18	0.05	201.07
20051	534.22	0.05	106.44	0.05	160.56	0.05	186.07	0.05	230.71	0.05	238.89
20052	-178.00	-75.00	41.90	-112.40	61.00	-128.40	67.60	-148.90	56.90	-166.00	0.05
20053	-108.00	-73.10	0.10	-107.10	0.10	-117.00	0.10	-98.30	0.10	-128.70	0.05
20054	426.80	-13.10	105.30	-17.90	158.50	-18.20	182.20	-16.00	223.80	0.05	237.10
20055	254.57	0.05	51.69	0.05	78.02	0.05	90.04	0.05	114.67	0.05	117.70
20061	327.25	0.05	66.44	0.05	100.30	0.05	115.74	0.05	147.40	0.05	151.30
20063	-367.40	-76.30	0.05	-115.20	0.05	-132.90	0.05	-169.30	0.05	-185.30	0.05
20064	583.60	0.05	118.80	0.05	179.40	0.05	207.00	0.05	263.60	0.05	288.40
20065	0.05	0.05	0.05	0.05	0.05	0.05	0.05	0.05	0.05	0.05	0.05
20071	0.05	0.05	0.05	0.05	0.05	0.05	0.05	0.05	0.05	0.05	0.05
20073	-473.70	-85.80	0.05	-129.80	0.05	-150.10	0.05	-195.90	0.05	-226.10	0.05
20074	561.70	0.05	99.70	0.05	150.90	0.05	174.60	0.05	227.80	0.05	262.90
20075	-422.90	-74.80	0.05	-113.10	0.05	-130.90	0.05	-170.80	0.05	-176.70	0.05
20081	-422.90	-74.80	0.05	-113.10	0.05	-130.90	0.05	-170.80	0.05	-176.70	0.05
20083	-495.50	-84.80	0.05	-127.50	0.05	-146.40	0.05	-190.10	0.05	-232.30	0.05
20084	470.70	0.05	85.00	0.05	126.70	0.05	144.10	0.05	182.40	0.05	223.40
20085	-756.50	-118.80	0.05	-179.70	0.05	-207.90	0.05	-271.60	0.05	-306.60	0.05
20091	-523.73	-82.25	0.05	-124.41	0.05	-143.93	0.05	-188.03	0.05	-212.26	0.05
20093	-476.20	-84.60	0.05	-126.90	0.05	-145.40	0.05	-176.40	0.05	-224.80	0.05
20094	360.50	0.05	76.20	0.05	113.40	0.05	128.60	0.05	142.30	0.05	179.30
20095	-762.06	-107.12	0.05	-162.08	0.05	-188.31	0.05	-249.67	0.05	-299.96	0.05
20101	-1010.90	-142.10	0.05	-215.00	0.05	-249.80	0.05	-331.20	0.05	-397.90	0.05
20103	-589.30	-86.40	25.50	-131.30	38.40	-152.50	44.70	-207.40	57.00	-312.60	0.05
20105	-1013.40	-142.90	0.05	-216.30	0.05	-251.20	0.05	-333.20	0.05	-400.20	0.05
20111	-756.27	-106.64	0.05	-161.42	0.05	-187.46	0.05	-248.66	0.05	-298.66	0.05
20112	196.30	-42.10	92.40	-63.80	140.30	-74.10	162.80	-98.20	219.10	0.05	282.50
20113	-305.90	-95.40	31.30	-144.80	47.20	-168.10	54.90	-226.20	70.10	-291.70	0.05
20115	-599.02	-113.26	37.96	-171.37	57.61	-199.02	66.88	-263.93	89.96	-339.02	0.05
20121	-597.52	-112.98	37.87	-170.94	57.47	-198.52	66.71	-263.27	89.74	-338.17	0.05
20122	247.10	-41.00	110.60	-61.70	167.70	-71.80	194.30	-91.60	258.10	0.05	320.10
20123	-316.30	-95.20	35.20	-144.30	53.10	-167.20	61.80	-222.10	78.80	-272.90	0.05
20125	-447.31	-122.08	81.63	-184.78	123.77	-214.56	143.45	-284.59	190.48	-395.27	0.05
20131	-429.91	-117.33	78.46	-177.59	118.96	-206.22	137.87	-273.52	183.07	-379.89	0.05
20132	291.20	-50.90	120.00	-76.70	181.60	-89.30	210.10	-113.90	274.10	0.05	325.00
20133	-275.00	-86.90	36.90	-131.50	55.50	-152.10	64.60	-198.40	82.50	-229.50	0.05
20135	-282.98	-125.02	125.02	-189.20	189.20	-219.78	219.78	-291.46	291.46	-443.87	0.05
20141	-325.43	-143.78	143.78	-217.58	217.58	-252.75	252.75	-335.18	335.18	-510.45	0.05
20142	255.60	-58.40	117.40	-87.90	177.30	-102.30	204.50	-130.60	260.50	0.05	286.60
20143	-205.10	-59.80	29.70	-90.20	44.70	-104.10	52.10	-132.50	66.40	-183.10	0.05
20145	-170.26	-141.96	188.54	-214.83	285.41	-249.53	332.50	-330.94	438.29	-563.09	0.05
20151	-159.57	-133.04	176.70	-201.34	267.48	-233.85	311.62	-310.16	410.76	-527.72	0.05
20152	152.40	-48.30	80.50	-72.70	121.10	-84.60	139.20	-108.00	171.00	0.05	238.20
20153	-109.70	-73.20	0.05	-107.20	0.05	-117.20	0.05	-98.40	0.05	-128.90	0.05
20154	22.30	-52.40	86.50	-79.30	130.20	-92.10	149.60	-122.20	183.90	0.05	231.20
20155	-84.51	-124.51	166.94	-187.48	252.72	-218.22	294.40	-278.49	388.11	-480.27	0.05
20161	-83.22	-122.62	164.39	-184.62	248.87	-214.90	289.92	-274.26	382.20	-472.96	0.05
20163	-124.60	-63.70	32.00	-96.10	48.40	-110.90	56.20	-141.30	74.50	-179.60	0.05
20164	148.70	-63.60	126.60	-96.20	191.20	-111.70	220.50	-148.20	280.90	0.05	318.70
20165	-178.93	-130.18	131.42	-196.01	198.92	-228.11	231.03	-291.16	306.34	-433.75	0.05

2010 SOUTH TRUSS FORCES BASED ON 1996 LOAD RATING ANALYSIS FORCES

Member	TRUSS MEMBER ENVELOPE FORCES TRANSFERRED TO GUSSET PLATE (KIPS)										
	Dead	2F1		3F1		4F1		5C1		(HS20-44)	
		Compr.	Tens.	Compr.	Tens.	Compr.	Tens.	Compr.	Tens.	Compr.	Tens.
20171	-159.38	-115.96	117.07	-174.59	177.19	-203.19	205.79	-259.35	272.87	-386.36	0.05
20173	-207.20	-94.00	40.30	-142.20	60.90	-164.50	70.80	-214.60	93.90	-251.30	0.05
20174	203.50	-53.10	124.00	-80.40	187.60	-93.40	217.00	-123.90	283.20	0.05	340.60
20175	-280.91	-112.42	75.95	-169.26	115.08	-197.05	133.35	-251.44	177.10	-330.33	0.05
20181	-250.81	-100.38	67.81	-151.13	102.75	-175.94	119.06	-224.50	158.13	-294.94	0.05
20183	-258.10	-100.90	37.70	-152.90	57.10	-177.20	66.30	-235.30	87.90	-290.30	0.05
20184	187.50	-44.10	109.50	-66.40	165.90	-77.30	192.30	-98.60	255.40	0.05	318.00
20185	-357.37	-91.39	30.94	-137.61	46.93	-160.16	54.47	-204.36	73.32	-240.44	0.05
20191	-397.55	-101.66	34.42	-153.08	52.21	-178.17	60.59	-227.34	81.56	-267.47	0.05
20193	-265.00	-98.10	35.00	-148.90	52.80	-172.80	61.40	-232.60	78.40	-299.90	0.05
20194	128.54	-34.93	67.37	-52.55	102.30	-61.17	118.71	-78.03	159.76	0.05	205.96
20195	-479.22	-86.38	0.05	-130.06	0.05	-151.41	0.05	-193.27	0.05	-206.15	0.05
20201	-684.60	-123.40	0.05	-185.80	0.05	-216.30	0.05	-276.10	0.05	-294.50	0.05
20203	-506.70	-86.40	25.70	-131.30	38.90	-152.50	45.20	-207.40	60.00	-307.40	0.05
20205	-687.10	-124.40	0.05	-187.30	0.05	-218.10	0.05	-278.30	0.05	-296.90	0.05
20211	-433.96	-78.57	0.05	-118.29	0.05	-137.75	0.05	-175.77	0.05	-187.52	0.05
20212	258.30	0.05	70.00	0.05	103.80	0.05	117.30	0.05	124.60	0.05	149.50
20213	-365.50	-84.00	0.05	-125.60	0.05	-143.30	0.05	-166.60	0.05	-194.40	0.05
20215	-350.54	-72.97	0.05	-109.77	0.05	-126.68	0.05	-159.10	0.05	-164.17	0.05
20221	-503.90	-104.90	0.05	-157.80	0.05	-182.10	0.05	-228.70	0.05	-236.00	0.05
20222	313.40	0.05	75.90	0.05	112.30	0.05	126.90	0.05	152.90	0.05	170.60
20223	-379.10	-84.50	0.05	-126.70	0.05	-145.10	0.05	-181.60	0.05	-199.90	0.05
20225	-276.40	-67.30	0.05	-101.20	0.05	-116.30	0.05	-143.00	0.05	-151.40	0.05
20231	-276.40	-67.30	0.05	-101.20	0.05	-116.30	0.05	-143.00	0.05	-151.40	0.05
20232	373.30	0.05	91.00	0.05	136.90	0.05	157.40	0.05	193.40	0.05	204.80
20233	-341.80	-84.90	0.05	-127.80	0.05	-146.90	0.05	-180.50	0.05	-191.20	0.05
20235	0.05	0.05	0.05	0.05	0.05	0.05	0.05	0.05	0.05	0.05	0.05
20241	0.05	0.05	0.05	0.05	0.05	0.05	0.05	0.05	0.05	0.05	0.05
20242	353.60	0.05	103.60	0.05	155.10	0.05	177.20	0.05	205.50	0.05	229.10
20243	-230.90	-69.30	0.05	-103.80	0.05	-118.70	0.05	-137.60	0.05	-153.40	0.05
20245	271.70	0.05	79.30	0.05	118.70	0.05	135.70	0.05	157.40	0.05	175.40
20251	192.28	0.05	56.12	0.05	84.00	0.05	96.03	0.05	111.39	0.05	124.13
20252	191.70	-20.20	80.20	-27.70	119.10	-28.10	134.70	-24.70	139.80	0.05	172.10
20253	-107.00	-73.20	0.05	-107.20	0.05	-117.20	0.05	-98.40	0.05	-128.90	0.05
20254	37.70	-40.10	58.00	-58.50	84.60	-64.80	93.70	-54.50	78.90	0.05	116.40
20255	258.74	0.05	74.26	0.05	110.87	0.05	128.05	0.05	145.69	0.05	161.74
20261	263.58	0.05	75.65	0.05	112.94	0.05	130.44	0.05	148.41	0.05	164.77
20263	-132.50	-56.80	11.60	-84.30	15.80	-95.40	16.10	-99.10	14.10	-121.90	0.05
20264	243.40	-4.50	90.40	-6.10	134.20	-6.20	151.80	-5.50	159.80	0.05	193.90
20265	149.82	0.05	43.58	0.05	65.26	0.05	74.60	0.05	86.53	0.05	96.42
20271	145.02	0.05	42.18	0.05	63.17	0.05	72.20	0.05	83.75	0.05	93.33
20273	-270.60	-80.80	0.05	-121.00	0.05	-138.30	0.05	-160.30	0.05	-178.70	0.05
20274	312.40	0.05	91.10	0.05	136.50	0.05	156.00	0.05	180.80	0.05	201.60
20275	0.05	0.05	0.05	0.05	0.05	0.05	0.05	0.05	0.05	0.05	0.05
20281	0.05	0.05	0.05	0.05	0.05	0.05	0.05	0.05	0.05	0.05	0.05
20283	-345.30	-84.90	0.05	-127.80	0.05	-146.90	0.05	-180.50	0.05	-191.20	0.05
20284	309.50	0.05	74.10	0.05	111.60	0.05	128.20	0.05	157.60	0.05	166.90
20285	-200.80	-47.60	0.05	-71.60	0.05	-82.30	0.05	-101.20	0.05	-107.20	0.05
20291	-200.80	-47.60	0.05	-71.60	0.05	-82.30	0.05	-101.20	0.05	-107.20	0.05
20293	-372.00	-83.80	0.05	-125.00	0.05	-142.40	0.05	-175.90	0.05	-194.60	0.05
20294	274.60	0.05	66.00	0.05	97.40	0.05	110.20	0.05	130.70	0.05	146.40
20295	-377.30	-76.00	0.05	-114.40	0.05	-132.00	0.05	-165.80	0.05	-171.10	0.05
20301	-377.30	-76.00	0.05	-114.40	0.05	-132.00	0.05	-165.80	0.05	-171.10	0.05
20303	-691.10	-86.40	17.10	-131.30	25.80	-152.50	29.70	-207.40	38.20	-311.20	0.05
20305	-377.80	-76.70	0.05	-115.40	0.05	-133.10	0.05	-167.20	0.05	-172.60	0.05

2010 SOUTH TRUSS FORCES BASED ON 1996 LOAD RATING ANALYSIS FORCES

Member	TRUSS MEMBER ENVELOPE FORCES TRANSFERRED TO GUSSET PLATE (KIPS)										
	Dead	2F1		3F1		4F1		5C1		(HS20-44)	
		Compr.	Tens.	Compr.	Tens.	Compr.	Tens.	Compr.	Tens.	Compr.	Tens.
20311	-377.80	-76.70	0.05	-115.40	0.05	-133.10	0.05	-167.20	0.05	-172.60	0.05
20312	339.80	-34.00	86.10	-51.20	130.60	-59.10	151.60	-74.20	204.00	0.05	263.00
20313	-451.80	-99.40	25.90	-150.80	39.00	-175.10	45.00	-235.60	56.50	-303.80	0.05
20315	-165.90	-86.40	43.80	-130.00	66.60	-150.00	77.20	-188.40	103.90	-203.90	0.05
20321	-165.90	-86.40	43.80	-130.00	66.60	-150.00	77.20	-188.40	103.90	-203.90	0.05
20322	400.60	-31.20	106.00	-46.90	160.70	-54.10	186.30	-68.00	247.40	0.05	308.70
20323	-439.20	-102.30	25.40	-155.00	38.30	-179.70	44.20	-238.60	56.80	-294.70	0.05
20325	89.10	-98.20	99.40	-147.70	150.70	-170.50	174.70	-214.10	232.00	0.05	277.60
20331	54.28	-59.82	60.55	-89.98	91.81	-103.87	106.43	-130.43	141.33	0.05	169.11
20332	433.40	-33.90	119.30	-51.20	180.50	-59.10	208.70	-75.90	272.40	0.05	328.60
20333	-362.40	-92.30	26.30	-139.70	39.60	-161.60	45.70	-210.80	58.70	-246.20	0.05
20335	194.48	-55.19	83.59	-83.04	126.51	-95.87	146.95	-120.42	194.88	0.05	234.09
20341	173.68	-49.29	74.65	-74.15	112.98	-85.62	131.23	-107.54	174.04	0.05	209.06
20342	366.30	-38.70	116.10	-58.40	175.30	-67.40	202.20	-86.50	257.60	0.05	290.30
20343	-191.10	-60.50	20.20	-91.40	30.50	-105.40	35.10	-134.30	45.10	-162.00	0.05
20345	233.35	-40.10	80.64	-60.34	122.08	-69.62	142.20	-87.44	187.45	0.05	226.73
20351	297.09	-51.06	102.67	-76.82	155.42	-88.64	181.04	-111.33	238.65	0.05	288.66
20352	118.40	-37.10	75.80	-55.50	114.10	-63.50	131.20	-73.60	161.20	0.05	189.10
20353	-110.70	-73.20	0.05	-107.20	0.05	-117.20	0.05	-98.40	0.05	-128.90	0.05
20354	184.40	-34.90	87.40	-52.60	131.50	-60.70	151.10	-76.20	185.70	0.05	210.30
20355	272.22	-48.65	97.34	-73.42	147.34	-84.72	171.67	-108.82	226.26	0.05	273.68
20361	252.87	-45.19	90.42	-68.20	136.87	-78.70	159.46	-101.08	210.17	0.05	254.22
20363	-235.10	-69.10	22.90	-104.30	34.50	-120.40	39.80	-153.30	50.00	-179.40	0.05
20364	399.60	-40.40	121.80	-60.70	183.80	-70.10	212.10	-88.00	270.10	0.05	311.40
20365	145.46	-46.16	69.54	-69.68	105.22	-80.34	122.22	-103.22	162.09	0.05	194.72
20371	210.67	-66.86	100.72	-100.91	152.39	-116.36	177.01	-149.49	234.76	0.05	282.02
20373	-389.10	-98.20	27.80	-148.70	41.80	-172.00	48.30	-224.40	60.60	-264.40	0.05
20374	434.80	-35.10	124.10	-52.80	187.80	-61.00	217.20	-76.60	283.40	0.05	347.00
20375	26.48	-63.00	63.50	-95.18	96.24	-109.77	111.55	-140.95	148.14	0.05	177.25
20381	26.48	-63.00	63.50	-95.18	96.24	-109.77	111.55	-140.95	148.14	0.05	177.25
20383	-450.80	-109.40	27.00	-165.80	40.60	-192.20	46.90	-255.20	58.90	-316.50	0.05
20384	379.70	-33.00	103.50	-49.80	156.90	-57.40	181.80	-73.70	241.50	0.05	301.80
20385	-134.24	-53.34	26.95	-80.49	40.83	-92.86	47.40	-119.25	63.84	-135.35	0.05
20391	-194.30	-77.20	39.00	-116.50	59.10	-134.40	68.60	-172.60	92.40	-195.90	0.05
20393	-448.40	-100.60	28.40	-152.70	42.90	-177.20	49.50	-238.40	63.50	-307.50	0.05
20394	307.10	-37.00	84.10	-55.90	127.60	-64.40	148.10	-82.80	199.40	0.05	257.10
20395	-397.40	-70.40	0.05	-106.30	0.05	-122.60	0.05	-157.50	0.05	-166.80	0.05
20401	-397.40	-70.40	0.05	-106.30	0.05	-122.60	0.05	-157.50	0.05	-166.80	0.05
20403	-683.30	-86.40	17.00	-131.30	25.60	-152.50	29.50	-207.40	37.10	-301.10	0.05
20405	-397.30	-71.10	0.05	-107.30	0.05	-123.80	0.05	-158.90	0.05	-168.30	0.05
20411	-397.30	-71.10	0.05	-107.30	0.05	-123.80	0.05	-158.90	0.05	-168.30	0.05
20412	271.50	0.05	61.50	0.05	90.40	0.05	102.40	0.05	120.90	0.05	141.90
20413	-409.50	-83.50	0.05	-124.50	0.05	-141.50	0.05	-176.80	0.05	-205.70	0.05
20415	-209.90	-43.20	0.05	-65.30	0.05	-75.30	0.05	-95.80	0.05	-98.40	0.05
20421	-209.90	-43.20	0.05	-65.30	0.05	-75.30	0.05	-95.80	0.05	-98.40	0.05
20422	335.80	0.05	69.20	0.05	104.50	0.05	120.50	0.05	153.30	0.05	167.70
20423	-407.20	-85.40	0.05	-128.90	0.05	-148.70	0.05	-189.10	0.05	-206.90	0.05
20425	0.05	0.05	0.05	0.05	0.05	0.05	0.05	0.05	0.05	0.05	0.05
20431	0.05	0.05	0.05	0.05	0.05	0.05	0.05	0.05	0.05	0.05	0.05
20432	370.90	0.05	90.00	0.05	135.40	0.05	155.60	0.05	191.20	0.05	202.50
20433	-345.30	-85.40	0.05	-128.50	0.05	-147.70	0.05	-181.40	0.05	-192.20	0.05
20435	242.60	0.05	58.50	0.05	88.10	0.05	101.20	0.05	124.30	0.05	131.70
20441	169.58	0.05	40.89	0.05	61.58	0.05	70.74	0.05	86.89	0.05	92.06
20442	329.30	0.05	95.80	0.05	143.40	0.05	163.90	0.05	189.90	0.05	211.90
20443	-194.40	-63.00	9.20	-94.30	12.70	-107.80	12.90	-124.90	11.30	-139.40	0.05

2010 SOUTH TRUSS FORCES BASED ON 1996 LOAD RATING ANALYSIS FORCES

TRUSS MEMBER ENVELOPE FORCES TRANSFERRED TO GUSSET PLATE (KIPS)											
Member	Dead	2F1		3F1		4F1		5C1		(HS20-44)	
		Compr.	Tens.	Compr.	Tens.	Compr.	Tens.	Compr.	Tens.	Compr.	Tens.
20445	320.68	0.05	77.23	0.05	115.60	0.05	133.70	0.05	161.60	0.05	170.78
20451	254.44	0.05	61.28	0.05	91.73	0.05	106.09	0.05	128.22	0.05	135.51
20452	124.40	-29.90	68.20	-43.60	101.20	-48.30	114.50	-40.70	118.00	0.05	146.30
20453	-108.00	-73.70	0.05	-107.80	0.10	-117.80	0.10	-99.00	0.10	-129.60	0.05
20454	141.30	-27.60	71.50	-40.20	106.10	-44.40	120.00	-36.60	124.50	0.05	153.30
20455	237.06	0.05	57.70	0.05	86.30	0.05	99.82	0.05	120.15	0.05	127.33
20461	312.51	0.05	76.07	0.05	113.76	0.05	131.59	0.05	158.40	0.05	167.86
20463	-205.00	-66.10	8.20	-98.90	11.10	-112.90	11.10	-130.40	10.10	-145.80	0.05
20464	341.10	0.05	99.00	0.05	148.20	0.05	169.20	0.05	195.50	0.05	218.60
20465	160.10	0.05	39.42	0.05	59.24	0.05	68.04	0.05	83.03	0.05	88.43
20471	158.85	0.05	39.11	0.05	58.78	0.05	67.52	0.05	82.39	0.05	87.74
20473	-353.40	-89.20	0.05	-134.10	0.05	-153.90	0.05	-187.90	0.05	-200.10	0.05
20474	370.60	0.05	91.60	0.05	137.60	0.05	158.00	0.05	192.80	0.05	205.30
20475	0.05	0.05	0.05	0.05	0.05	0.05	0.05	0.05	0.05	0.05	0.05
20481	0.05	0.05	0.05	0.05	0.05	0.05	0.05	0.05	0.05	0.05	0.05
20483	-416.50	-89.60	0.05	-135.00	0.05	-155.40	0.05	-195.70	0.05	-211.50	0.05
20484	169.54	0.05	35.70	0.05	53.83	0.05	61.97	0.05	77.99	0.05	84.33
20485	-199.50	-41.50	0.05	-62.50	0.05	-72.00	0.05	-90.60	0.05	-93.90	0.05
20491	-199.50	-41.50	0.05	-62.50	0.05	-72.00	0.05	-90.60	0.05	-93.90	0.05
20493	-415.50	-84.70	0.05	-125.90	0.05	-142.70	0.05	-177.60	0.05	-204.40	0.05
20494	298.50	0.05	63.10	0.05	93.00	0.05	105.20	0.05	127.40	0.05	147.40
20495	-380.70	-68.00	0.05	-102.60	0.05	-118.10	0.05	-149.90	0.05	-156.50	0.05
20501	-380.70	-68.00	0.05	-102.60	0.05	-118.10	0.05	-149.90	0.05	-156.50	0.05
20503	-814.30	-84.50	21.20	-128.20	32.00	-148.80	37.20	-201.70	48.60	-330.00	0.05
20505	-357.30	-64.50	0.05	-97.20	0.05	-111.90	0.05	-142.00	0.05	-148.30	0.05
20511	-357.30	-64.50	0.05	-97.20	0.05	-111.90	0.05	-142.00	0.05	-148.30	0.05
20512	409.10	-32.40	79.60	-48.90	120.80	-56.30	140.20	-71.50	189.60	0.05	269.20
20513	-543.80	-94.90	27.20	-144.00	41.00	-167.10	47.20	-226.00	61.50	-320.90	0.05
20515	-139.40	-70.90	34.10	-106.90	51.80	-123.10	60.10	-156.20	81.30	-182.20	0.05
20521	-139.40	-70.90	34.10	-106.90	51.80	-123.10	60.10	-156.20	81.30	-182.20	0.05
20522	465.20	-30.30	93.80	-45.60	142.30	-52.50	165.10	-68.50	222.20	0.05	307.40
20523	-541.60	-99.80	31.80	-151.30	48.00	-175.50	55.90	-236.30	72.90	-324.60	0.05
20525	109.50	-79.40	74.60	-119.70	113.20	-137.80	131.30	-174.90	176.80	0.05	235.80
20531	57.02	-41.34	38.84	-62.33	58.94	-71.75	68.37	-91.07	92.06	0.05	122.78
20532	506.50	-38.10	105.40	-57.50	159.80	-66.90	185.20	-87.20	247.70	0.05	334.60
20533	-375.41	-73.29	26.46	-111.14	39.96	-128.86	46.52	-172.25	60.64	-227.28	0.05
20535	193.00	-42.99	59.49	-64.77	90.18	-74.60	104.71	-94.69	141.21	0.05	190.39
20541	176.61	-39.33	54.44	-59.27	82.52	-68.26	95.81	-86.64	129.21	0.05	174.21
20542	470.60	-44.00	106.60	-66.40	161.50	-77.20	187.00	-100.70	247.50	0.05	319.80
20543	-378.50	-85.80	35.40	-130.00	53.40	-150.50	62.10	-199.10	81.10	-248.70	0.05
20545	287.78	-39.57	72.03	-59.65	109.13	-68.65	127.31	-87.12	171.53	0.05	232.82
20551	324.20	-44.58	81.14	-67.20	122.94	-77.34	143.43	-98.15	193.24	0.05	262.29
20552	371.70	-49.80	104.40	-75.10	157.90	-87.40	182.60	-114.00	238.20	0.05	287.90
20553	-162.60	-55.50	26.50	-84.00	40.00	-97.10	46.50	-126.70	60.60	-158.30	0.05
20555	410.00	-45.82	96.08	-69.14	145.95	-80.39	170.13	-104.87	228.92	0.05	312.72
20561	417.78	-46.69	97.90	-70.45	148.72	-81.91	173.36	-106.86	233.27	0.05	318.65
20562	69.80	-38.30	68.40	-57.90	103.30	-67.30	119.20	-87.80	152.00	0.05	182.30
20563	-111.90	-65.40	0.05	-95.80	0.05	-104.70	0.05	-87.90	0.05	-115.10	0.05
20564	242.50	-29.80	69.90	-44.80	105.50	-51.50	121.80	-63.50	155.60	0.05	204.00
20565	369.86	-66.55	99.43	-100.50	150.98	-116.85	175.97	-152.46	236.75	0.05	323.19
20571	314.24	-56.55	84.48	-85.39	128.28	-99.28	149.51	-129.53	201.15	0.05	274.59
20573	-280.70	-56.30	17.80	-85.20	26.80	-98.50	30.90	-128.60	39.20	-172.70	0.05
20574	492.60	-33.50	106.10	-50.50	160.40	-58.20	185.50	-73.80	242.10	0.05	293.90
20575	195.07	-57.85	69.46	-87.33	105.21	-101.51	122.72	-132.48	165.34	0.05	224.19
20581	245.87	-72.91	87.54	-110.08	132.61	-127.95	154.68	-166.99	208.41	0.05	282.58

2010 SOUTH TRUSS FORCES BASED ON 1996 LOAD RATING ANALYSIS FORCES

TRUSS MEMBER ENVELOPE FORCES TRANSFERRED TO GUSSET PLATE (KIPS)											
Member	Dead	2F1		3F1		4F1		5C1		(HS20-44)	
		Compr.	Tens.	Compr.	Tens.	Compr.	Tens.	Compr.	Tens.	Compr.	Tens.
20583	-352.00	-65.68	17.98	-99.43	27.12	-115.20	31.16	-152.46	39.62	-191.09	0.05
20584	541.50	-29.50	107.90	-44.50	163.40	-51.30	189.30	-65.10	250.60	0.05	324.50
20585	68.81	-67.14	60.96	-101.32	92.41	-117.82	107.24	-153.72	144.46	0.05	194.58
20591	91.50	-89.28	81.06	-134.72	122.87	-156.67	142.60	-204.40	192.08	0.05	258.74
20593	-387.71	-68.73	16.44	-104.15	24.80	-120.65	28.51	-161.31	36.22	-213.31	0.05
20594	514.10	-38.40	106.40	-58.00	161.30	-67.40	186.90	-88.00	249.90	0.05	337.80
20595	-124.06	-84.79	51.55	-128.08	78.18	-148.90	90.75	-194.28	121.98	-238.14	0.05
20601	-172.80	-118.10	71.80	-178.40	108.90	-207.40	126.40	-270.60	169.90	-331.70	0.05
20603	-544.90	-99.90	31.70	-151.50	47.90	-175.80	55.70	-236.40	72.60	-325.10	0.05
20604	419.00	-47.60	94.70	-71.90	143.70	-83.50	166.60	-109.00	224.10	0.05	310.40
20605	-427.80	-105.60	31.20	-159.50	47.40	-185.40	55.00	-241.90	74.40	-283.60	0.05
20611	-427.80	-105.60	31.20	-159.50	47.40	-185.40	55.00	-241.90	74.40	-283.60	0.05
20613	-497.80	-95.20	42.60	-144.50	64.20	-167.70	74.70	-226.70	97.50	-321.20	0.05
20614	277.00	-59.60	80.60	-89.90	122.30	-104.60	141.90	-136.40	191.90	0.05	272.00
20615	-661.10	-101.60	0.05	-153.40	0.05	-178.30	0.05	-232.70	0.05	-263.30	0.05
20621	-661.10	-101.60	0.05	-153.40	0.05	-178.30	0.05	-232.70	0.05	-263.30	0.05
20623	-651.30	-85.00	39.90	-129.10	60.20	-149.90	69.50	-203.50	88.50	-320.30	0.05
20625	-614.80	-95.20	0.05	-143.70	0.05	-167.10	0.05	-218.00	0.05	-246.70	0.05
20631	-614.80	-95.20	0.05	-143.70	0.05	-167.10	0.05	-218.00	0.05	-246.70	0.05
20632	248.60	0.05	63.00	0.05	93.30	0.05	105.40	0.05	109.50	0.05	133.60
20633	-415.70	-82.80	0.05	-124.00	0.05	-141.50	0.05	-165.80	0.05	-201.80	0.05
20635	-424.90	-74.80	0.05	-112.90	0.05	-130.20	0.05	-167.40	0.05	-177.40	0.05
20641	-424.90	-74.80	0.05	-112.90	0.05	-130.20	0.05	-167.40	0.05	-177.40	0.05
20642	324.10	0.05	66.90	0.05	99.20	0.05	112.10	0.05	137.80	0.05	161.10
20643	-428.50	-83.00	0.05	-124.20	0.05	-142.00	0.05	-179.90	0.05	-208.90	0.05
20645	-227.00	-46.00	0.05	-69.50	0.05	-80.10	0.05	-102.10	0.05	-104.80	0.05
20651	-227.00	-46.00	0.05	-69.50	0.05	-80.10	0.05	-102.10	0.05	-104.80	0.05
20652	368.50	0.05	74.80	0.05	112.90	0.05	130.30	0.05	165.90	0.05	181.60
20653	-407.90	-84.20	0.05	-127.10	0.05	-146.60	0.05	-186.70	0.05	-204.30	0.05
20655	0.05	0.05	0.05	0.05	0.05	0.05	0.05	0.05	0.05	0.05	0.05
20661	0.05	0.05	0.05	0.05	0.05	0.05	0.05	0.05	0.05	0.05	0.05
20662	374.90	0.05	89.60	0.05	134.90	0.05	155.00	0.05	190.50	0.05	201.80
20663	-333.60	-81.10	0.05	-122.10	0.05	-140.30	0.05	-172.40	0.05	-182.60	0.05
20665	244.60	0.05	58.20	0.05	87.50	0.05	100.60	0.05	123.60	0.05	130.90
20671	170.55	0.05	40.58	0.05	61.01	0.05	70.14	0.05	86.18	0.05	91.27
20672	308.80	-3.10	89.50	-4.20	134.00	-4.30	153.10	-3.80	177.60	0.05	198.00
20673	-185.40	-59.40	10.30	-88.90	14.00	-101.60	14.30	-117.80	12.60	-131.30	0.05
20675	291.40	0.05	68.84	0.05	103.13	0.05	119.31	0.05	144.17	0.05	152.33
20681	252.60	0.05	59.67	0.05	89.39	0.05	103.43	0.05	124.97	0.05	132.04
20682	107.40	-32.00	62.20	-46.70	92.30	-51.70	104.40	-43.50	108.40	0.05	133.40
20683	-108.60	-72.10	0.05	-105.60	0.05	-115.40	0.05	-97.00	0.05	-127.00	0.05
20684	117.80	-30.00	64.50	-43.70	95.80	-48.40	108.40	-40.80	112.50	0.05	138.40
20685	226.58	0.05	53.48	0.05	80.09	0.05	92.67	0.05	111.98	0.05	118.32
20691	287.07	0.05	67.75	0.05	101.47	0.05	117.40	0.05	141.88	0.05	149.91
20693	-191.70	-61.10	9.50	-91.40	13.00	-104.50	13.30	-121.10	11.70	-135.10	0.05
20694	311.80	-2.60	90.10	-3.50	134.90	-3.60	154.20	-3.10	178.80	0.05	199.30
20695	166.43	0.05	39.60	0.05	59.54	0.05	68.47	0.05	84.09	0.05	89.11
20701	183.06	0.05	43.56	0.05	65.49	0.05	75.31	0.05	92.49	0.05	98.01
20703	-335.60	-81.60	0.05	-122.70	0.05	-141.10	0.05	-173.40	0.05	-183.60	0.05
20704	375.60	0.05	89.60	0.05	134.80	0.05	155.00	0.05	190.40	0.05	201.70
20705	0.05	0.05	0.05	0.05	0.05	0.05	0.05	0.05	0.05	0.05	0.05
20711	0.05	0.05	0.05	0.05	0.05	0.05	0.05	0.05	0.05	0.05	0.05
20713	-408.60	-84.20	0.05	-127.10	0.05	-146.60	0.05	-186.70	0.05	-204.30	0.05
20714	370.70	0.05	74.70	0.05	112.80	0.05	130.20	0.05	165.80	0.05	181.40
20715	-223.10	-44.60	0.05	-67.30	0.05	-77.60	0.05	-98.80	0.05	-101.40	0.05

2010 SOUTH TRUSS FORCES BASED ON 1996 LOAD RATING ANALYSIS FORCES

TRUSS MEMBER ENVELOPE FORCES TRANSFERRED TO GUSSET PLATE (KIPS)											
Member	Dead	2F1		3F1		4F1		5C1		(HS20-44)	
		Compr.	Tens.	Compr.	Tens.	Compr.	Tens.	Compr.	Tens.	Compr.	Tens.
20721	-223.10	-44.60	0.05	-67.30	0.05	-77.60	0.05	-98.80	0.05	-101.40	0.05
20723	-432.20	-83.00	0.05	-124.20	0.05	-142.00	0.05	-179.90	0.05	-208.90	0.05
20724	330.60	0.05	67.20	0.05	99.60	0.05	112.60	0.05	138.60	0.05	161.90
20725	-419.30	-72.50	0.05	-109.50	0.05	-126.40	0.05	-162.40	0.05	-172.10	0.05
20731	-419.30	-72.50	0.05	-109.50	0.05	-126.40	0.05	-162.40	0.05	-172.10	0.05
20733	-421.80	-82.90	0.05	-124.00	0.05	-141.60	0.05	-166.20	0.05	-202.30	0.05
20734	254.80	0.05	63.30	0.05	93.70	0.05	105.90	0.05	110.30	0.05	134.30
20735	-611.10	-92.90	0.05	-140.20	0.05	-163.00	0.05	-212.70	0.05	-240.70	0.05
20741	-611.10	-92.90	0.05	-140.20	0.05	-163.00	0.05	-212.70	0.05	-240.70	0.05
20743	-770.70	-84.50	33.00	-128.80	49.80	-150.10	57.50	-210.60	74.20	-402.90	0.05
20745	-603.00	-92.40	0.05	-139.40	0.05	-162.10	0.05	-211.50	0.05	-239.40	0.05
20751	-603.00	-92.40	0.05	-139.40	0.05	-162.10	0.05	-211.50	0.05	-239.40	0.05
20752	387.00	-52.50	82.90	-79.20	126.30	-92.10	147.20	-120.20	206.30	0.05	358.60
20753	-579.20	-97.60	41.70	-148.80	62.90	-173.50	73.20	-243.10	95.50	-422.50	0.05
20755	-360.00	-100.30	33.30	-151.40	50.70	-176.00	59.10	-229.60	82.80	-299.40	0.05
20761	-360.00	-100.30	33.30	-151.40	50.70	-176.00	59.10	-229.60	82.80	-299.40	0.05
20762	489.20	-45.70	99.70	-68.90	151.90	-80.10	177.00	-104.60	247.00	0.05	416.80
20763	-601.70	-106.60	44.60	-162.40	67.80	-189.30	79.10	-264.10	107.90	-443.70	0.05
20765	-98.80	-112.90	74.90	-170.50	114.00	-198.20	132.90	-258.60	185.50	-388.10	0.05
20771	-98.80	-112.90	74.90	-170.50	114.00	-198.20	132.90	-258.60	185.50	-388.10	0.05
20772	446.23	-41.78	92.82	-63.61	141.25	-74.15	164.54	-101.25	228.47	0.05	376.05
20773	-575.60	-108.00	48.70	-164.50	74.00	-191.60	86.40	-266.10	117.90	-432.30	0.05
20775	205.30	-127.90	127.10	-193.10	193.50	-224.50	225.30	-292.90	312.90	0.05	516.50
20781	109.75	-68.37	67.94	-103.22	103.44	-120.01	120.44	-156.57	167.26	0.05	276.10
20782	453.12	-48.97	100.22	-74.47	152.53	-86.94	177.55	-118.64	245.18	0.05	391.27
20783	-476.90	-97.90	47.80	-149.00	72.70	-173.40	84.90	-239.40	115.80	-370.60	0.05
20785	261.73	-69.10	91.42	-104.28	139.13	-121.29	161.93	-158.23	224.50	0.05	372.06
20791	252.48	-66.66	88.19	-100.60	134.21	-117.00	156.21	-152.64	216.57	0.05	358.91
20792	389.59	-52.58	98.53	-79.97	149.86	-93.32	174.30	-127.43	238.98	0.05	359.94
20793	-327.30	-83.00	44.30	-126.10	67.30	-146.70	78.60	-201.20	107.20	-289.10	0.05
20795	389.22	-69.46	114.75	-104.88	174.48	-121.92	203.62	-159.07	282.10	0.05	467.61
20801	427.48	-76.28	126.03	-115.19	191.63	-133.90	223.63	-174.70	309.83	0.05	513.58
20802	281.10	-60.40	102.80	-91.90	156.10	-107.20	181.40	-146.40	246.70	0.05	336.40
20803	-147.90	-64.20	37.80	-97.60	57.40	-113.40	67.00	-154.20	91.50	-225.50	0.05
20805	516.92	-86.86	147.77	-132.15	224.55	-154.17	262.54	-210.44	362.85	0.05	603.12
20811	480.83	-80.79	137.45	-122.93	208.88	-143.41	244.21	-195.75	337.52	0.05	561.02
20812	38.30	-52.50	80.20	-79.90	121.80	-93.20	141.30	-127.20	190.20	0.05	266.00
20813	18.00	-50.80	33.20	-77.00	50.50	-89.40	59.00	-120.30	80.50	0.05	167.00
20815	485.82	-96.51	147.46	-146.82	224.58	-171.28	262.20	-233.82	361.66	0.05	602.95
20821	494.15	-98.16	149.99	-149.33	228.44	-174.21	266.70	-237.83	367.86	0.05	613.29
20822	-194.00	-46.50	63.00	-70.70	95.50	-82.50	110.60	-112.60	146.90	-251.90	0.05
20823	-116.60	-70.60	0.05	-103.40	0.05	-113.00	0.05	-94.90	0.05	-124.30	0.05
20824	429.00	-38.30	70.00	-57.90	106.10	-67.00	122.90	-87.40	163.20	0.05	289.60
20825	310.27	-133.49	158.62	-203.06	241.61	-236.92	282.07	-323.34	389.07	0.05	648.64
20831	348.50	-149.94	178.16	-228.08	271.38	-266.11	316.82	-363.18	437.01	0.05	728.56
20833	-426.40	-55.90	23.10	-84.80	34.90	-98.50	40.30	-132.50	51.30	-235.70	0.05
20834	482.44	-23.67	70.30	-35.78	106.64	-41.64	123.74	-54.31	166.57	0.05	252.54
20835	109.59	-156.74	159.97	-238.45	243.10	-278.18	284.24	-379.72	392.81	0.05	652.91
20841	115.42	-165.07	168.47	-251.12	256.02	-292.96	299.34	-399.90	413.68	0.05	687.60
20843	-419.40	-53.25	16.13	-80.85	24.38	-93.98	28.35	-127.73	36.98	-199.95	0.05
20844	554.48	-24.50	80.81	-37.02	122.81	-43.01	142.72	-56.16	194.06	0.05	265.77
20845	-170.68	-165.01	140.54	-251.00	213.70	-292.84	249.33	-399.66	345.47	-680.74	0.05
20851	-209.34	-202.39	172.38	-307.86	262.11	-359.17	305.81	-490.19	423.73	-834.95	0.05
20853	-651.70	-84.50	23.30	-128.50	35.10	-149.50	40.80	-205.00	53.30	-295.00	0.05
20854	531.98	-24.23	88.13	-36.60	134.03	-42.60	155.93	-55.58	213.75	0.05	322.95

2010 SOUTH TRUSS FORCES BASED ON 1996 LOAD RATING ANALYSIS FORCES

TRUSS MEMBER ENVELOPE FORCES TRANSFERRED TO GUSSET PLATE (KIPS)											
Member	Dead	2F1		3F1		4F1		5C1		(HS20-44)	
		Compr.	Tens.	Compr.	Tens.	Compr.	Tens.	Compr.	Tens.	Compr.	Tens.
20855	-545.42	-190.60	130.01	-289.92	197.90	-338.26	230.34	-461.71	319.38	-762.85	0.05
20861	-548.53	-191.69	130.75	-291.57	199.03	-340.19	231.66	-464.35	321.20	-767.21	0.05
20863	-673.70	-98.80	24.90	-150.30	37.60	-175.00	43.70	-241.60	57.00	-374.50	0.05
20864	456.26	-44.31	95.07	-67.34	144.65	-78.57	168.38	-107.25	232.41	0.05	370.46
20865	-832.19	-174.80	89.51	-265.87	136.30	-310.14	158.77	-423.37	220.48	-681.26	0.05
20871	-816.83	-171.58	87.86	-260.96	133.78	-304.42	155.84	-415.56	216.41	-668.68	0.05
20873	-604.90	-107.10	45.80	-163.10	69.70	-190.00	81.40	-263.80	111.00	-428.30	0.05
20874	377.60	-77.30	113.90	-117.50	173.40	-137.10	201.90	-187.20	280.40	0.05	461.60
20875	-1029.47	-152.84	52.28	-232.50	79.59	-271.31	92.77	-370.34	129.47	-582.16	0.05
20881	-1098.22	-163.05	55.77	-248.03	84.90	-289.43	98.96	-395.07	138.11	-621.04	0.05
20883	-459.00	-106.60	66.90	-162.30	101.70	-189.20	118.70	-264.00	162.00	-443.50	0.05
20884	197.70	-85.30	98.90	-129.70	150.70	-151.30	175.70	-206.60	245.10	0.05	413.50
20885	-1272.38	-145.10	24.86	-220.76	37.83	-257.50	44.12	-351.50	61.83	-541.34	0.05
20891	-1072.36	-122.29	20.95	-186.06	31.88	-217.03	37.19	-296.24	52.11	-456.24	0.05
20893	-318.40	-97.10	77.80	-148.00	118.40	-172.50	138.10	-241.80	188.60	-420.20	0.05
20894	-65.80	-99.20	82.80	-150.90	126.20	-176.10	147.20	-240.40	206.30	-423.40	0.05
20895	-1218.13	-111.88	0.05	-170.20	0.05	-198.62	0.05	-271.05	0.05	-409.87	0.05
20901	-1890.20	-173.60	0.05	-264.10	0.05	-308.20	0.05	-420.60	0.05	-636.00	0.05
20903	229.50	-83.20	156.70	-127.00	237.60	-148.30	276.90	-209.00	373.90	0.05	577.80
20905	-2036.20	-188.70	0.05	-287.00	0.05	-334.90	0.05	-457.10	0.05	-691.20	0.05
20911	-1184.91	-109.81	0.05	-167.01	0.05	-194.89	0.05	-266.00	0.05	-402.22	0.05
20912	-350.40	-66.50	57.90	-100.80	85.20	-116.80	96.60	-155.90	94.30	-211.60	0.05
20913	-208.40	-80.00	18.60	-119.80	28.20	-137.00	32.70	-159.70	43.40	-177.20	0.05
20915	-955.15	-96.04	0.05	-145.70	0.05	-170.12	0.05	-230.98	0.05	-330.80	0.05
20921	-1075.01	-108.09	0.05	-163.99	0.05	-191.47	0.05	-259.97	0.05	-372.32	0.05
20922	88.30	-20.70	65.50	-31.40	97.40	-36.30	110.30	-48.30	117.90	0.05	141.00
20923	-268.00	-79.70	5.40	-119.10	8.10	-135.90	9.40	-154.40	12.50	-175.20	0.05
20925	-906.33	-99.28	0.05	-150.45	0.05	-175.38	0.05	-236.87	0.05	-320.34	0.05
20931	-1253.14	-137.27	0.05	-208.02	0.05	-242.49	0.05	-327.51	0.05	-442.92	0.05
20932	171.00	-6.60	68.00	-10.00	100.60	-11.60	113.70	-15.40	117.50	0.05	144.20
20933	-441.20	-80.10	0.05	-120.00	0.05	-137.40	0.05	-161.70	0.05	-199.50	0.05
20935	-1074.26	-128.91	0.05	-195.39	0.05	-226.77	0.05	-304.35	0.05	-387.99	0.05
20941	-922.20	-110.67	0.05	-167.73	0.05	-194.67	0.05	-261.27	0.05	-333.07	0.05
20942	417.50	0.05	78.40	0.05	116.70	0.05	132.30	0.05	146.20	0.05	190.60
20943	-414.47	-56.77	0.05	-85.68	0.05	-98.91	0.05	-127.26	0.05	-171.43	0.05
20945	-670.66	-88.77	0.05	-134.53	0.05	-155.90	0.05	-207.10	0.05	-247.81	0.05
20951	-1047.90	-138.70	0.05	-210.20	0.05	-243.60	0.05	-323.60	0.05	-387.20	0.05
20952	524.19	0.05	74.50	0.05	112.15	0.05	128.90	0.05	169.43	0.05	218.27
20953	-446.33	-59.64	0.05	-90.62	0.05	-105.31	0.05	-142.18	0.05	-183.35	0.05
20955	-557.00	-81.90	0.05	-124.20	0.05	-143.90	0.05	-191.10	0.05	-210.80	0.05
20961	-557.00	-81.90	0.05	-124.20	0.05	-143.90	0.05	-191.10	0.05	-210.80	0.05
20962	585.99	0.05	86.43	0.05	130.98	0.05	151.80	0.05	201.61	0.05	245.93
20963	-543.90	-81.60	0.05	-123.70	0.05	-143.40	0.05	-190.40	0.05	-232.30	0.05
20965	0.05	0.05	0.05	0.05	0.05	0.05	0.05	0.05	0.05	0.05	0.05
20971	0.05	0.05	0.05	0.05	0.05	0.05	0.05	0.05	0.05	0.05	0.05
20972	438.87	0.05	72.87	0.05	110.27	0.05	127.53	0.05	166.47	0.05	192.13
20973	-436.10	-73.60	0.05	-111.40	0.05	-128.80	0.05	-168.10	0.05	-194.00	0.05
20975	498.60	0.05	82.50	0.05	124.90	0.05	144.50	0.05	188.50	0.05	195.00
20981	311.32	0.05	51.51	0.05	77.99	0.05	90.22	0.05	117.70	0.05	121.76
20982	506.90	-10.40	98.50	-14.20	148.70	-14.40	171.60	-12.70	218.50	0.05	236.50
20983	-317.10	-63.50	7.50	-95.90	10.30	-110.60	10.50	-140.80	9.20	-152.20	0.05
20985	468.36	0.05	76.98	0.05	116.18	0.05	134.07	0.05	172.32	0.05	182.60
20991	468.14	0.05	76.94	0.05	116.13	0.05	134.00	0.05	172.24	0.05	182.52
20992	325.60	-26.10	83.80	-38.10	126.10	-42.20	145.00	-35.50	178.20	0.05	188.70
20993	-189.40	-52.40	17.80	-78.90	26.00	-90.70	28.80	-111.40	24.20	-118.00	0.05

2010 SOUTH TRUSS FORCES BASED ON 1996 LOAD RATING ANALYSIS FORCES

TRUSS MEMBER ENVELOPE FORCES TRANSFERRED TO GUSSET PLATE (KIPS)											
Member	Dead	2F1		3F1		4F1		5C1		(HS20-44)	
		Compr.	Tens.	Compr.	Tens.	Compr.	Tens.	Compr.	Tens.	Compr.	Tens.
20995	554.64	0.05	90.29	0.05	135.97	0.05	158.30	0.05	201.99	0.05	215.51
21001	513.05	0.05	83.52	0.05	125.78	0.05	146.43	0.05	186.84	0.05	199.35
21002	122.30	-43.90	67.00	-65.20	100.30	-73.70	114.60	-76.50	132.90	0.05	148.10
21003	-110.30	-69.30	0.10	-101.40	0.20	-110.80	0.20	-92.90	0.30	-121.80	0.05
21004	84.40	-49.00	61.90	-72.80	92.70	-82.40	105.90	-85.50	122.80	0.05	136.90
21005	526.05	0.05	85.55	0.05	128.79	0.05	149.90	0.05	191.34	0.05	204.12
21011	581.59	0.05	94.58	0.05	142.39	0.05	165.72	0.05	211.54	0.05	225.67
21013	-164.30	-48.60	20.20	-73.10	29.50	-84.00	32.70	-103.20	27.50	-109.30	0.05
21014	305.40	-29.50	81.40	-43.00	122.50	-47.60	140.80	-40.10	173.00	0.05	183.20
21015	487.91	0.05	79.98	0.05	120.73	0.05	139.29	0.05	179.04	0.05	189.72
21021	495.65	0.05	81.25	0.05	122.64	0.05	141.50	0.05	181.88	0.05	192.73
21023	-305.10	-61.60	8.40	-92.90	11.40	-107.20	11.60	-136.50	10.20	-147.30	0.05
21024	504.70	-12.20	98.50	-16.60	148.70	-16.90	171.50	-14.90	218.40	0.05	235.90
21025	334.50	0.05	55.24	0.05	83.55	0.05	96.66	0.05	126.11	0.05	130.46
21031	412.19	0.05	68.06	0.05	102.95	0.05	119.11	0.05	155.40	0.05	160.76
21033	-428.20	-72.20	0.05	-109.20	0.05	-126.30	0.05	-164.80	0.05	-190.30	0.05
21034	451.33	0.05	74.73	0.05	113.07	0.05	130.73	0.05	170.60	0.05	196.93
21035	0.05	0.05	0.05	0.05	0.05	0.05	0.05	0.05	0.05	0.05	0.05
21041	0.05	0.05	0.05	0.05	0.05	0.05	0.05	0.05	0.05	0.05	0.05
21043	-545.90	-81.60	0.05	-123.70	0.05	-143.40	0.05	-190.40	0.05	-232.30	0.05
21044	585.93	0.05	86.07	0.05	130.44	0.05	151.19	0.05	200.74	0.05	244.89
21045	-617.20	-90.40	0.05	-137.00	0.05	-158.80	0.05	-210.80	0.05	-232.60	0.05
21051	-450.65	-66.01	0.05	-100.03	0.05	-115.95	0.05	-153.92	0.05	-169.83	0.05
21053	-388.83	-51.15	0.05	-77.90	0.05	-90.66	0.05	-122.95	0.05	-158.54	0.05
21054	527.71	0.05	75.99	0.05	114.10	0.05	130.85	0.05	170.92	0.05	220.15
21055	-936.92	-123.32	0.05	-186.98	0.05	-216.64	0.05	-287.74	0.05	-344.29	0.05
21061	-679.90	-89.49	0.05	-135.68	0.05	-157.21	0.05	-208.80	0.05	-249.84	0.05
21063	-402.15	-56.63	0.05	-85.33	0.05	-98.28	0.05	-124.67	0.05	-167.44	0.05
21064	461.50	0.05	81.80	0.05	122.00	0.05	138.70	0.05	156.50	0.05	205.10
21065	-974.83	-116.16	0.05	-176.08	0.05	-204.30	0.05	-274.18	0.05	-349.52	0.05
21071	-999.45	-119.10	0.05	-180.53	0.05	-209.46	0.05	-281.10	0.05	-358.35	0.05
21073	-467.80	-80.20	0.05	-120.40	0.05	-138.00	0.05	-164.70	0.05	-206.50	0.05
21074	241.30	0.05	71.50	0.05	106.10	0.05	120.10	0.05	127.90	0.05	153.50
21075	-1184.47	-128.65	0.05	-195.03	0.05	-227.31	0.05	-307.03	0.05	-415.20	0.05
21081	-1231.82	-133.79	0.05	-202.83	0.05	-236.40	0.05	-319.31	0.05	-431.80	0.05
21083	-321.50	-79.90	0.05	-119.70	0.05	-136.80	0.05	-158.80	0.05	-176.80	0.05
21084	-136.10	-43.70	61.20	-66.30	90.00	-76.80	101.90	-102.00	99.30	-129.50	0.05
21085	-1335.75	-132.89	0.05	-201.61	0.05	-235.43	0.05	-319.64	0.05	-457.77	0.05
21091	-1235.74	-122.94	0.05	-186.52	0.05	-217.80	0.05	-295.70	0.05	-423.50	0.05
21093	-10.20	-79.30	38.60	-118.20	58.50	-134.30	67.80	-148.00	90.10	-172.60	0.05
21094	-362.10	-67.30	57.70	-102.00	84.90	-118.20	96.20	-157.80	93.50	-214.50	0.05
21095	-1375.89	-125.80	0.05	-191.34	0.05	-223.24	0.05	-304.76	0.05	-460.78	0.05
21101	-2135.00	-195.20	0.05	-296.90	0.05	-346.40	0.05	-472.90	0.05	-715.00	0.05
21103	185.10	-82.90	158.80	-126.30	240.70	-147.10	280.50	-204.00	378.80	0.05	554.30
21105	-1924.60	-177.30	0.05	-269.60	0.05	-314.60	0.05	-429.40	0.05	-649.30	0.05
21111	-1127.27	-103.85	0.05	-157.91	0.05	-184.27	0.05	-251.51	0.05	-380.30	0.05
21112	0.50	-100.80	81.30	-153.30	123.70	-178.90	144.00	-244.20	198.50	0.05	331.80
21113	-413.20	-93.80	76.60	-142.70	116.50	-166.10	135.90	-229.10	185.50	-382.80	0.05
21115	-937.41	-107.36	16.96	-163.34	25.81	-190.57	30.00	-260.10	41.40	-393.33	0.05
21121	-1107.73	-126.87	20.04	-193.02	30.49	-225.19	35.45	-307.36	48.93	-464.79	0.05
21122	301.20	-85.70	95.00	-130.40	144.40	-152.20	168.00	-207.70	230.50	0.05	378.60
21123	-612.80	-98.90	59.40	-150.30	90.30	-174.80	105.40	-240.00	143.90	-392.10	0.05
21125	-890.56	-136.61	43.40	-207.79	66.00	-242.38	76.76	-330.86	105.39	-500.30	0.05
21131	-725.64	-111.31	35.36	-169.31	53.78	-197.49	62.54	-269.59	85.87	-407.66	0.05
21132	418.40	-51.66	77.93	-78.53	118.47	-91.59	137.73	-125.04	188.04	0.05	303.82

2010 SOUTH TRUSS FORCES BASED ON 1996 LOAD RATING ANALYSIS FORCES

TRUSS MEMBER ENVELOPE FORCES TRANSFERRED TO GUSSET PLATE (KIPS)											
Member	Dead	2F1		3F1		4F1		5C1		(HS20-44)	
		Compr.	Tens.	Compr.	Tens.	Compr.	Tens.	Compr.	Tens.	Compr.	Tens.
21133	-766.00	-95.10	35.90	-144.50	54.60	-168.00	63.70	-229.40	87.00	-365.10	0.05
21135	-518.53	-119.61	56.26	-181.93	85.51	-212.31	99.38	-289.77	135.91	-438.17	0.05
21141	-681.53	-157.20	73.95	-239.12	112.39	-279.04	130.61	-380.85	178.64	-575.90	0.05
21142	663.60	-37.42	89.26	-56.93	135.59	-66.35	157.39	-90.62	213.82	0.05	336.42
21143	-824.80	-82.80	10.40	-125.80	15.80	-146.10	18.40	-198.40	25.10	-302.20	0.05
21145	-338.83	-156.12	96.12	-237.48	145.97	-277.05	170.09	-378.15	233.35	-571.82	0.05
21151	-389.58	-179.50	110.52	-273.04	167.83	-318.54	195.57	-434.79	268.30	-657.45	0.05
21152	718.32	-10.64	75.84	-16.16	115.12	-18.88	133.60	-25.76	180.88	0.05	267.76
21153	-778.10	-66.70	6.40	-101.20	9.60	-117.40	11.00	-159.00	12.80	-259.90	0.05
21155	-1.78	-184.46	139.07	-280.56	211.17	-327.37	246.68	-446.77	338.80	-675.62	0.05
21161	-1.47	-152.76	115.18	-232.35	174.88	-271.12	204.29	-370.00	280.59	-559.53	0.05
21162	710.73	-8.69	64.14	-13.08	97.32	-15.06	112.88	-18.70	152.52	0.05	243.31
21163	-483.70	-38.80	12.20	-58.90	18.42	-68.33	21.19	-92.30	26.31	-174.29	0.05
21165	280.81	-130.94	116.05	-199.21	176.73	-232.40	206.27	-317.24	284.52	0.05	479.34
21171	270.96	-126.35	111.98	-192.23	170.54	-224.26	199.04	-306.12	274.54	0.05	462.53
21172	606.40	-22.02	52.82	-33.33	80.07	-38.56	92.90	-49.70	124.96	0.05	234.48
21173	-534.20	-46.10	22.30	-70.00	33.70	-81.20	39.00	-109.30	50.20	-214.80	0.05
21175	437.09	-101.57	103.67	-154.50	158.09	-180.28	184.41	-246.06	254.57	0.05	433.01
21181	474.87	-110.34	112.63	-167.85	171.76	-195.86	200.34	-267.33	276.57	0.05	470.44
21182	553.80	-34.50	54.60	-52.30	82.70	-60.60	95.90	-80.00	128.00	0.05	253.60
21183	-114.40	-61.10	0.10	-89.40	0.20	-97.70	0.20	-82.20	0.30	-107.60	0.05
21184	-350.30	-42.40	45.50	-64.20	68.90	-74.30	79.90	-98.00	106.80	-223.60	0.05
21185	768.57	-89.11	117.35	-135.52	178.89	-158.10	208.74	-215.81	288.06	0.05	490.01
21191	783.19	-90.80	119.59	-138.10	182.29	-161.11	212.71	-219.92	293.53	0.05	499.33
21193	150.80	-39.30	29.80	-59.60	45.40	-69.10	52.90	-93.00	72.20	0.05	155.60
21194	-97.20	-46.60	61.40	-70.90	93.10	-82.70	108.00	-112.90	145.40	-218.80	0.05
21195	820.87	-76.07	113.19	-115.68	172.27	-135.01	201.09	-184.25	277.32	0.05	467.43
21201	926.03	-85.82	127.69	-130.50	194.34	-152.30	226.86	-207.85	312.84	0.05	527.31
21203	-44.90	-53.20	35.80	-80.70	54.40	-93.70	63.50	-126.60	86.60	-170.60	0.05
21204	183.10	-53.40	79.50	-81.30	120.60	-94.80	140.00	-129.40	189.20	0.05	258.90
21205	889.19	-68.56	115.04	-104.28	174.75	-121.63	204.12	-166.02	280.42	0.05	467.08
21211	762.04	-58.76	98.59	-89.37	149.76	-104.23	174.93	-142.28	240.32	0.05	400.29
21213	-260.70	-69.40	41.30	-105.30	62.90	-122.20	73.40	-165.50	100.20	-237.70	0.05
21214	432.40	-55.80	93.70	-84.90	142.20	-99.00	165.00	-135.20	223.30	0.05	331.10
21215	616.72	-40.65	77.00	-61.84	116.88	-72.17	136.28	-98.48	186.49	0.05	305.49
21221	606.58	-39.98	75.73	-60.82	114.95	-70.99	134.04	-96.86	183.42	0.05	300.47
21223	-464.50	-84.20	44.40	-127.70	67.60	-148.20	78.80	-200.70	107.60	-305.80	0.05
21224	606.40	-53.30	101.00	-81.10	153.30	-94.70	177.90	-129.20	240.90	0.05	376.10
21225	480.74	-27.62	59.03	-41.99	89.63	-49.02	103.95	-66.89	141.27	0.05	227.71
21231	518.42	-29.78	63.66	-45.28	96.65	-52.87	112.10	-72.13	152.34	0.05	245.56
21233	-628.40	-94.60	44.30	-143.60	67.30	-166.60	78.50	-225.60	107.20	-356.80	0.05
21234	560.13	-37.91	81.05	-57.68	123.06	-67.31	142.74	-91.90	193.35	0.05	309.10
21235	310.94	-15.79	38.18	-24.01	57.95	-28.03	67.18	-38.24	90.92	0.05	142.42
21241	466.02	-23.66	57.23	-35.98	86.85	-42.01	100.69	-57.31	136.27	0.05	213.45
21243	-734.90	-99.40	41.10	-150.80	62.50	-174.90	73.00	-236.80	99.60	-382.20	0.05
21244	571.13	-31.45	76.00	-47.81	115.23	-55.75	133.73	-76.16	180.98	0.05	293.11
21245	190.18	-8.60	23.47	-13.01	35.56	-15.18	41.29	-20.76	55.77	0.05	84.36
21251	190.59	-8.62	23.52	-13.04	35.63	-15.22	41.38	-20.81	55.89	0.05	84.54
21253	-786.50	-98.30	36.00	-149.20	54.70	-173.00	63.80	-234.10	87.10	-380.70	0.05
21254	579.32	-26.27	71.76	-39.89	108.81	-46.54	126.24	-63.57	170.68	0.05	277.62
21255	-1.01	0.05	0.05	0.05	0.05	0.05	0.05	0.05	0.05	0.05	0.05
21261	-1.40	0.05	0.05	0.05	0.05	0.05	0.05	0.05	0.05	0.05	0.05
21263	-785.70	-94.10	31.10	-142.70	47.30	-165.50	55.20	-223.60	75.30	-353.70	0.05
21273	-532.40	-100.90	0.05	-152.10	0.05	-175.10	0.05	-224.00	0.05	-243.80	0.05
21275	0.05	0.05	0.05	0.05	0.05	0.05	0.05	0.05	0.05	0.05	0.05

2010 SOUTH TRUSS FORCES BASED ON 1996 LOAD RATING ANALYSIS FORCES

TRUSS MEMBER ENVELOPE FORCES TRANSFERRED TO GUSSET PLATE (KIPS)											
Member	Dead	2F1		3F1		4F1		5C1		(HS20-44)	
		Compr.	Tens.	Compr.	Tens.	Compr.	Tens.	Compr.	Tens.	Compr.	Tens.
21281	0.05	0.05	0.05	0.05	0.05	0.05	0.05	0.05	0.05	0.05	0.05
21282	515.30	0.05	101.80	0.05	153.50	0.05	176.70	0.05	224.00	0.05	253.20
21283	-433.60	-86.60	0.05	-130.50	0.05	-150.30	0.05	-190.60	0.05	-215.40	0.05
21285	272.40	0.05	53.50	0.05	80.70	0.05	92.90	0.05	117.80	0.05	121.20
21291	114.03	0.05	22.40	0.05	33.78	0.05	38.89	0.05	49.31	0.05	50.73
21292	390.20	-9.00	89.00	-12.10	133.90	-12.10	153.90	-11.10	191.80	0.05	205.50
21293	-314.50	-73.20	7.40	-110.20	10.00	-126.60	10.00	-157.80	9.10	-169.10	0.05
21295	220.22	0.05	41.82	0.05	62.89	0.05	72.62	0.05	91.87	0.05	95.07
21301	495.50	0.05	94.10	0.05	141.50	0.05	163.40	0.05	206.70	0.05	213.90
21302	240.00	-22.90	72.00	-33.40	108.10	-37.00	123.90	-30.40	149.30	0.05	160.80
21303	-186.20	-58.40	18.60	-87.70	27.10	-100.50	30.00	-121.10	24.60	-130.50	0.05
21305	636.50	0.05	116.80	0.05	176.20	0.05	204.70	0.05	259.00	0.05	271.80
21311	254.60	0.05	46.72	0.05	70.48	0.05	81.88	0.05	103.60	0.05	108.72
21312	92.40	-36.00	57.60	-53.50	86.00	-60.70	98.00	-63.00	111.00	0.05	126.20
21313	199.80	-75.90	0.05	-111.20	0.05	-121.70	0.05	-103.60	0.05	-134.50	0.05
21314	70.90	-40.00	51.30	-59.20	76.90	-66.70	88.00	-66.40	103.00	0.05	113.90
21315	259.72	0.05	46.56	0.05	70.12	0.05	81.48	0.05	104.08	0.05	109.36
21321	649.30	0.05	116.40	0.05	175.30	0.05	203.70	0.05	260.20	0.05	273.40
21323	-167.10	-51.50	19.70	-77.50	28.50	-89.20	31.30	-110.40	24.40	-116.20	0.05
21324	227.50	-25.10	65.60	-36.30	98.90	-39.90	113.70	-31.10	140.80	0.05	148.20
21325	509.00	0.05	90.90	0.05	137.30	0.05	158.50	0.05	203.30	0.05	212.90
21331	216.60	0.05	38.68	0.05	58.43	0.05	67.45	0.05	86.51	0.05	90.60
21333	-302.50	-64.90	6.90	-98.10	9.00	-113.20	9.10	-144.90	8.70	-157.00	0.05
21334	399.00	-8.80	82.90	-11.40	125.10	-11.60	144.40	-11.10	184.90	0.05	200.30
21335	111.66	0.05	19.83	0.05	30.00	0.05	34.64	0.05	45.19	0.05	46.00
21341	262.40	0.05	46.60	0.05	70.50	0.05	81.40	0.05	106.20	0.05	108.10
21343	-425.10	-76.80	0.05	-116.10	0.05	-134.20	0.05	-175.10	0.05	-199.10	0.05
21344	507.90	0.05	89.80	0.05	135.80	0.05	157.00	0.05	204.80	0.05	232.90
21345	0.05	0.05	0.05	0.05	0.05	0.05	0.05	0.05	0.05	0.05	0.05
21351	0.05	0.05	0.05	0.05	0.05	0.05	0.05	0.05	0.05	0.05	0.05
21353	-501.10	-87.00	0.05	-131.50	0.05	-152.10	0.05	-199.80	0.05	-223.00	0.05

Made By: ADK
Checked By: CTG

Date: 5/11/2012
Date: 5/11/2012

Job No.: P402110046
Sheet No.: _____

Panel Point	Pin #	Pin Diameter	Member	Service Loads							
				Dead	HS-20	2F1	3F1	4F1	5C1	HS-20 Truck Train	5C1 Truck Train
7	N1	3.0 in.	20071	0.6	0.1	0.1	0.1	0.1	0.1	0.1	0.1
23	N2	3.0 in.	10231	1.5	50.6	22.6	34.2	39.5	50.1	63.6	46.9
	N3	6.0 in.	20233	396.1	206.2	89.5	133.3	151.9	186.4	220.5	189.5
	N4	3.0 in.	20235	0.7	0.1	0.1	0.1	0.1	0.1	0.1	0.1
28	N5	3.0 in.	20281	1.5	0.1	0.1	0.1	0.1	0.1	0.1	0.1
42	N6	3.0 in.	10421	29.0	31.9	12.8	19.2	22.3	27.0	37.2	27.5
	N7	6.0 in.	20423	479.0	230.2	90.5	135.8	155.8	200.0	240.2	211.2
	N8	3.0 in.	20425	2.0	0.1	0.1	0.1	0.1	0.1	0.1	0.1
48	N9	3.0 in.	20481	2.0	0.1	0.1	0.1	0.1	0.1	0.1	0.1
65	N10	3.0 in.	10651	12.3	49.9	15.2	23.1	26.8	33.8	48.6	40.4
	N11	6.0 in.	20653	477.2	225.0	88.4	133.5	155.6	196.9	239.0	209.2
	N12	3.0 in.	20655	1.4	0.1	0.1	0.1	0.1	0.1	0.1	0.1
71	N13	3.0 in.	20711	1.4	0.1	0.1	0.1	0.1	0.1	0.1	0.1
96	N14	6.0 in.	20965	0.1	0.1	0.1	0.1	0.1	0.1	0.1	0.1
	N15	6.0 in.	10961	0.0	0.1	0.1	0.1	0.1	0.1	0.1	0.1
104	N16	6.0 in.	11045	44.2	75.1	27.3	41.6	48.4	63.4	79.8	70.1
	N17	6.0 in.	21041	0.1	0.1	0.1	0.1	0.1	0.1	0.1	0.1
	N18	6.0 in.	21043	647.6	239.6	83.9	127.4	147.8	194.3	248.0	222.6
7	S1	3.0 in.	20071	0.6	0.1	0.1	0.1	0.1	0.1	0.1	0.1
23	S2	3.0 in.	10231	0.9	50.7	22.7	34.2	39.5	50.1	63.6	46.8
	S3	6.0 in.	20233	395.4	204.2	89.5	133.3	151.9	186.4	220.5	189.6
	S4	3.0 in.	20235	0.7	0.1	0.1	0.1	0.1	0.1	0.1	0.1
28	S5	3.0 in.	20281	1.5	0.1	0.1	0.1	0.1	0.1	0.1	0.1
42	S6	3.0 in.	10421	28.5	30.0	13.0	19.7	22.7	27.8	37.6	28.0
	S7	6.0 in.	20423	473.7	227.1	90.2	135.2	155.0	198.4	239.1	209.9
	S8	3.0 in.	20425	2.0	0.1	0.1	0.1	0.1	0.1	0.1	0.1
48	S9	3.0 in.	20481	2.0	0.1	0.1	0.1	0.1	0.1	0.1	0.1
65	S10	3.0 in.	10651	11.4	34.5	15.2	23.2	26.9	34.3	49.0	40.8
	S11	6.0 in.	20653	468.2	225.7	88.2	133.4	155.4	196.1	238.7	208.0
	S12	3.0 in.	20655	1.4	0.1	0.1	0.1	0.1	0.1	0.1	0.1
71	S13	3.0 in.	20711	1.4	0.1	0.1	0.1	0.1	0.1	0.1	0.1
96	S14	6.0 in.	20965	0.1	0.1	0.1	0.1	0.1	0.1	0.1	0.1
	S15	6.0 in.	10961	0.0	0.1	0.1	0.1	0.1	0.1	0.1	0.1
104	S16	6.0 in.	11045	42.5	65.9	27.4	41.8	48.6	63.7	79.9	70.2
	S17	6.0 in.	21041	0.1	0.1	0.1	0.1	0.1	0.1	0.1	0.1
	S18	6.0 in.	21043	640.4	244.0	83.7	127.2	147.6	193.7	246.8	222.3



Main Avenue Bridge Load Rating
Pin Rating

Made By: ADK
Checked By: CTG

Date: 5/11/2012
Date: 5/11/2012

Job No.: P402110046
Sheet No.: _____

Pin Rating - As Built

Pin & Link			MATERIAL (ksi)		PLATE DIMENSION					CAPACITIES (kips)	
Panel Point	Pin #	Member	ΦF (Pin)	Fu (gusset plate)	Pin	Gusset Plate		Pin Plate		Shear in Pin (ΦFA)	Bearing in Gusset (4.8ΔFu)
					Diameter (in)	Thicknes s (in)	Width (in)	Thicknes s (in)	Width (in)		
7	N1	20071	---	---	---	---	---	---	---	---	---
23	N2	10231	18.75	60	4	0.75	4	0.5	4	471.24	540
	N3	20233	18.75	60	8	0.75	8	0.625	8	1884.96	1188
	N4	20235	---	---	---	---	---	---	---	---	---
28	N5	20281	---	---	---	---	---	---	---	---	---
42	N6	10421	18.75	60	4	0.75	4	0.5	4	471.24	540
	N7	20423	18.75	60	9	0.75	9	0.75	9	2385.65	1458
	N8	20425	---	---	---	---	---	---	---	---	---
48	N9	20481	---	---	---	---	---	---	---	---	---
65	N10	10651	18.75	60	4	0.75	4	0.5	4	471.24	540
	N11	20653	18.75	60	8	0.75	8	0.75	8	1884.96	1296
	N12	20655	---	---	---	---	---	---	---	---	---
71	N13	20711	---	---	---	---	---	---	---	---	---
96	N14	20965	---	---	---	---	---	---	---	---	---
	N15	10961	---	---	---	---	---	---	---	---	---
104	N16	11045	18.75	60	9	1	9	0.625	9	2385.65	1579.5
	N17	21041	---	---	---	---	---	---	---	---	---
	N18	21043	18.75	60	9	1	9	1.25	9	2385.65	2187
7	S1	20071	---	---	---	---	---	---	---	---	---
23	S2	10231	18.75	60	4	0.75	4	0.5	4	471.24	540
	S3	20233	18.75	60	8	0.75	8	0.625	8	1884.96	1188
	S4	20235	---	---	---	---	---	---	---	---	---
28	S5	20281	---	---	---	---	---	---	---	---	---
42	S6	10421	18.75	60	4	0.75	4	0.5	4	471.24	540
	S7	20423	18.75	60	9	0.75	9	0.75	9	2385.65	1458
	S8	20425	---	---	---	---	---	---	---	---	---
48	S9	20481	---	---	---	---	---	---	---	---	---
65	S10	10651	18.75	60	4	0.75	4	0.5	4	471.24	540
	S11	20653	18.75	60	8	0.75	8	0.75	8	1884.96	1296
	S12	20655	---	---	---	---	---	---	---	---	---
71	S13	20711	---	---	---	---	---	---	---	---	---
96	S14	20965	---	---	---	---	---	---	---	---	---
	S15	10961	---	---	---	---	---	---	---	---	---
104	S16	11045	18.75	60	9	1	9	0.625	9	2385.65	1579.5
	S17	21041	---	---	---	---	---	---	---	---	---
	S18	21043	18.75	60	9	1	9	1.25	9	2385.65	2187

Made By: ADK
Checked By: CTG

Date: 5/11/2012
Date: 5/11/2012

Job No.: P402110046
Sheet No.: _____

Pin Rating - As Built

Pin & Link		Dead Load	LIVE LOAD (SERVICE)					Truck Train		MPACT	RATING FACTORS - SHEAR							
Panel	Pin #		HS20	2F1	3F1	4F1	5C1	HS-20	5C1		HS20		Ohio Legal Loads				Truck Train	
		V _{DL} (k)	V _{LL} (k)	V _{LL} (k)	V _{LL} (k)	V _{LL} (k)	V _{LL} (k)	V _{LL} (k)	V _{LL} (k)		Inv.	Opr.	2F1	3F1	4F1	5C1	HS-20	5C1
7	N1	0.6	0.1	0.1	0.1	0.1	0.1	0.1	0.1	1.30	---	---	---	---	---	---	---	---
23	N2	1.5	50.6	22.6	34.2	39.5	50.1	63.6	46.9	1.30	3.29	5.49	12.27	8.12	7.03	5.54	4.37	5.92
	N3	396.1	206.2	89.5	133.3	151.9	186.4	220.5	189.5	1.30	2.36	3.93	9.06	6.08	5.34	4.35	3.68	4.28
	N4	0.7	0.1	0.1	0.1	0.1	0.1	0.1	0.1	1.30	---	---	---	---	---	---	---	---
28	N5	1.5	0.1	0.1	0.1	0.1	0.1	0.1	0.1	1.30	---	---	---	---	---	---	---	---
42	N6	29.0	31.9	12.8	19.2	22.3	27.0	37.2	27.5	1.30	4.81	8.04	20.09	13.32	11.52	9.49	6.90	9.33
	N7	479.0	230.2	90.5	135.8	155.8	200.0	240.2	211.2	1.30	2.72	4.53	11.53	7.68	6.70	5.22	4.34	4.94
	N8	2.0	0.1	0.1	0.1	0.1	0.1	0.1	0.1	1.30	---	---	---	---	---	---	---	---
48	N9	2.0	0.1	0.1	0.1	0.1	0.1	0.1	0.1	1.30	---	---	---	---	---	---	---	---
65	N10	12.3	49.9	15.2	23.1	26.8	33.8	48.6	40.4	1.30	3.23	5.40	17.77	11.68	10.06	7.96	5.54	6.67
	N11	477.2	225.0	88.4	133.5	155.6	196.9	239.0	209.2	1.30	1.99	3.33	8.46	5.60	4.81	3.80	3.13	3.58
	N12	1.4	0.1	0.1	0.1	0.1	0.1	0.1	0.1	1.30	---	---	---	---	---	---	---	---
71	N13	1.4	0.1	0.1	0.1	0.1	0.1	0.1	0.1	1.30	---	---	---	---	---	---	---	---
96	N14	0.1	0.1	0.1	0.1	0.1	0.1	0.1	0.1	1.30	---	---	---	---	---	---	---	---
	N15	0.0	0.1	0.1	0.1	0.1	0.1	0.1	0.1	1.30	---	---	---	---	---	---	---	---
104	N16	44.2	75.1	27.3	41.6	48.4	63.4	79.8	70.1	1.30	10.99	18.35	50.53	33.15	28.48	21.71	17.26	19.64
	N17	0.1	0.1	0.1	0.1	0.1	0.1	0.1	0.1	1.30	---	---	---	---	---	---	---	---
	N18	647.6	239.6	83.9	127.4	147.8	194.3	248.0	222.6	1.30	2.28	3.81	10.89	7.17	6.18	4.70	3.68	4.10
7	S1	0.6	0.1	0.1	0.1	0.1	0.1	0.1	0.1	1.30	---	---	---	---	---	---	---	---
23	S2	0.9	50.7	22.7	34.2	39.5	50.1	63.6	46.8	1.30	3.29	5.49	12.28	8.13	7.04	5.55	4.38	5.94
	S3	395.4	204.2	89.5	133.3	151.9	186.4	220.5	189.6	1.30	2.38	3.97	9.06	6.09	5.34	4.35	3.68	4.28
	S4	0.7	0.1	0.1	0.1	0.1	0.1	0.1	0.1	1.30	---	---	---	---	---	---	---	---
28	S5	1.5	0.1	0.1	0.1	0.1	0.1	0.1	0.1	1.30	---	---	---	---	---	---	---	---
42	S6	28.5	30.0	13.0	19.7	22.7	27.8	37.6	28.0	1.30	5.14	8.58	19.70	13.07	11.30	9.25	6.83	9.16
	S7	473.7	227.1	90.2	135.2	155.0	198.4	239.1	209.9	1.30	2.76	4.61	11.61	7.74	6.76	5.28	4.38	4.99
	S8	2.0	0.1	0.1	0.1	0.1	0.1	0.1	0.1	1.30	---	---	---	---	---	---	---	---
48	S9	2.0	0.1	0.1	0.1	0.1	0.1	0.1	0.1	1.30	---	---	---	---	---	---	---	---
65	S10	11.4	34.5	15.2	23.2	26.9	34.3	49.0	40.8	1.30	4.69	7.83	17.76	11.66	10.04	7.87	5.51	6.63
	S11	468.2	225.7	88.2	133.4	155.4	196.1	238.7	208.0	1.30	2.00	3.35	8.56	5.66	4.86	3.85	3.16	3.63
	S12	1.4	0.1	0.1	0.1	0.1	0.1	0.1	0.1	1.30	---	---	---	---	---	---	---	---
71	S13	1.4	0.1	0.1	0.1	0.1	0.1	0.1	0.1	1.30	---	---	---	---	---	---	---	---
96	S14	0.1	0.1	0.1	0.1	0.1	0.1	0.1	0.1	1.30	---	---	---	---	---	---	---	---
	S15	0.0	0.1	0.1	0.1	0.1	0.1	0.1	0.1	1.30	---	---	---	---	---	---	---	---
104	S16	42.5	65.9	27.4	41.8	48.6	63.7	79.9	70.2	1.30	12.54	20.95	50.35	33.03	28.38	21.66	17.26	19.63
	S17	0.1	0.1	0.1	0.1	0.1	0.1	0.1	0.1	1.30	---	---	---	---	---	---	---	---
	S18	640.4	244.0	83.7	127.2	147.6	193.7	246.8	222.3	1.30	2.26	3.77	10.97	7.22	6.23	4.74	3.72	4.13

Made By: ADK
Checked By: CTG

Date: 5/11/2012
Date: 5/11/2012

Job No.: P402110046
Sheet No.: _____

Pin Rating - As Built

Pin & Link		Dead Load	LIVE LOAD (SERVICE)					Truck Train		IMP	RATING FACTORS - BEARING								
Panel	Pin #		V _{DL} (k)	HS20	2F1	3F1	4F1	5C1	HS-20		5C1	HS20		Ohio Legal Loads				Truck Train	
			V _{LL} (k)	V _{LL} (k)	V _{LL} (k)	V _{LL} (k)	V _{LL} (k)	V _{LL} (k)	V _{LL} (k)		Inv.	Opr.	2F1	3F1	4F1	5C1	HS-20	5C1	
7	N1	0.6	0.1	0.1	0.1	0.1	0.1	0.1	0.1	1.30	---	---	---	---	---	---	---	---	---
23	N2	1.5	50.6	22.6	34.2	39.5	50.1	63.6	46.9	1.30	3.77	6.29	14.07	9.31	8.06	6.35	5.01	6.78	
	N3	396.1	206.2	89.5	133.3	151.9	186.4	220.5	189.5	1.30	1.16	1.93	4.45	2.99	2.62	2.14	1.81	2.10	
	N4	0.7	0.1	0.1	0.1	0.1	0.1	0.1	0.1	1.30	---	---	---	---	---	---	---	---	---
28	N5	1.5	0.1	0.1	0.1	0.1	0.1	0.1	0.1	1.30	---	---	---	---	---	---	---	---	---
42	N6	29.0	31.9	12.8	19.2	22.3	27.0	37.2	27.5	1.30	5.58	9.31	23.28	15.44	13.35	11.00	7.99	10.81	
	N7	479.0	230.2	90.5	135.8	155.8	200.0	240.2	211.2	1.30	1.29	2.15	5.46	3.64	3.17	2.47	2.06	2.34	
	N8	2.0	0.1	0.1	0.1	0.1	0.1	0.1	0.1	1.30	---	---	---	---	---	---	---	---	---
48	N9	2.0	0.1	0.1	0.1	0.1	0.1	0.1	0.1	1.30	---	---	---	---	---	---	---	---	---
65	N10	12.3	49.9	15.2	23.1	26.8	33.8	48.6	40.4	1.30	3.72	6.22	20.46	13.44	11.58	9.16	6.38	7.67	
	N11	477.2	225.0	88.4	133.5	155.6	196.9	239.0	209.2	1.30	1.06	1.78	4.52	2.99	2.57	2.03	1.67	1.91	
	N12	1.4	0.1	0.1	0.1	0.1	0.1	0.1	0.1	1.30	---	---	---	---	---	---	---	---	---
71	N13	1.4	0.1	0.1	0.1	0.1	0.1	0.1	0.1	1.30	---	---	---	---	---	---	---	---	---
96	N14	0.1	0.1	0.1	0.1	0.1	0.1	0.1	0.1	1.30	---	---	---	---	---	---	---	---	---
	N15	0.0	0.1	0.1	0.1	0.1	0.1	0.1	0.1	1.30	---	---	---	---	---	---	---	---	---
104	N16	44.2	75.1	27.3	41.6	48.4	63.4	79.8	70.1	1.30	7.19	12.00	33.03	21.67	18.62	14.19	11.28	12.84	
	N17	0.1	0.1	0.1	0.1	0.1	0.1	0.1	0.1	1.30	---	---	---	---	---	---	---	---	---
	N18	647.6	239.6	83.9	127.4	147.8	194.3	248.0	222.6	1.30	1.99	3.32	9.48	6.25	5.39	4.10	3.21	3.58	
7	S1	0.6	0.1	0.1	0.1	0.1	0.1	0.1	0.1	1.30	---	---	---	---	---	---	---	---	---
23	S2	0.9	50.7	22.7	34.2	39.5	50.1	63.6	46.8	1.30	3.77	6.30	14.08	9.32	8.07	6.36	5.02	6.81	
	S3	395.4	204.2	89.5	133.3	151.9	186.4	220.5	189.6	1.30	1.17	1.95	4.46	2.99	2.63	2.14	1.81	2.10	
	S4	0.7	0.1	0.1	0.1	0.1	0.1	0.1	0.1	1.30	---	---	---	---	---	---	---	---	---
28	S5	1.5	0.1	0.1	0.1	0.1	0.1	0.1	0.1	1.30	---	---	---	---	---	---	---	---	---
42	S6	28.5	30.0	13.0	19.7	22.7	27.8	37.6	28.0	1.30	5.95	9.94	22.82	15.13	13.08	10.71	7.91	10.62	
	S7	473.7	227.1	90.2	135.2	155.0	198.4	239.1	209.9	1.30	1.31	2.20	5.53	3.68	3.22	2.51	2.08	2.37	
	S8	2.0	0.1	0.1	0.1	0.1	0.1	0.1	0.1	1.30	---	---	---	---	---	---	---	---	---
48	S9	2.0	0.1	0.1	0.1	0.1	0.1	0.1	0.1	1.30	---	---	---	---	---	---	---	---	---
65	S10	11.4	34.5	15.2	23.2	26.9	34.3	49.0	40.8	1.30	5.40	9.01	20.43	13.42	11.56	9.05	6.34	7.62	
	S11	468.2	225.7	88.2	133.4	155.4	196.1	238.7	208.0	1.30	1.08	1.80	4.61	3.05	2.62	2.07	1.70	1.95	
	S12	1.4	0.1	0.1	0.1	0.1	0.1	0.1	0.1	1.30	---	---	---	---	---	---	---	---	---
71	S13	1.4	0.1	0.1	0.1	0.1	0.1	0.1	0.1	1.30	---	---	---	---	---	---	---	---	---
96	S14	0.1	0.1	0.1	0.1	0.1	0.1	0.1	0.1	1.30	---	---	---	---	---	---	---	---	---
	S15	0.0	0.1	0.1	0.1	0.1	0.1	0.1	0.1	1.30	---	---	---	---	---	---	---	---	---
104	S16	42.5	65.9	27.4	41.8	48.6	63.7	79.9	70.2	1.30	8.21	13.70	32.93	21.60	18.56	14.17	11.29	12.84	
	S17	0.1	0.1	0.1	0.1	0.1	0.1	0.1	0.1	1.30	---	---	---	---	---	---	---	---	---
	S18	640.4	244.0	83.7	127.2	147.6	193.7	246.8	222.3	1.30	1.97	3.29	9.57	6.30	5.43	4.14	3.25	3.61	

Made By: ADK
Checked By: CTG

Date: 5/11/2012
Date: 5/11/2012

Job No.: P402110046
Sheet No.: _____

Pin Rating - As Built

Pin & Link			MATERIAL (ksi)		Pin Diameter (in)	Section Loss ² (in)	PLATE DIMENSION				CAPACITIES (kips)		
Panel Point	Pin #	Member	ΦF (Pin)	Fu (gusset plate)			Pin D _{EFF} (in)	Gusset Plate Thickness (in)	Gusset Plate Width (in)	Pin Plate Thickness (in)	Pin Plate Width (in)	Shear in Pin (ΦFA)	Bearing in Gusset (4.8ΔFu)
7	N1	20071	---	---	---	---	---	---	---	---	---	---	---
23	N2	10231	18.75	60	4	0.175	3.915	0.75	4	0.5	4	451.52	540
	N3	20233	18.75	60	8	0.175	7.914	0.75	8	0.625	8	1844.62	1188
	N4	20235	---	---	---	---	---	---	---	---	---	---	---
28	N5	20281	---	---	---	---	---	---	---	---	---	---	---
42	N6	10421	18.75	60	4	0.200	3.904	0.75	4	0.5	4	448.86	540
	N7	20423	18.75	60	9	0.000	9	0.75	9	0.75	9	2385.65	1458
	N8	20425	---	---	---	---	---	---	---	---	---	---	---
48	N9	20481	---	---	---	---	---	---	---	---	---	---	---
65	N10	10651	18.75	60	4	0.000	4	0.75	4	0.5	4	471.24	540
	N11	20653	18.75	60	8	0.050	7.975	0.75	8	0.75	8	1873.25	1296
	N12	20655	---	---	---	---	---	---	---	---	---	---	---
71	N13	20711	---	---	---	---	---	---	---	---	---	---	---
96	N14	20965	---	---	---	---	---	---	---	---	---	---	---
	N15	10961	---	---	---	---	---	---	---	---	---	---	---
104	N16	11045	18.75	60	9	0.375	8.818	1	9	0.625	9	2290.39	1579.5
	N17	21041	---	---	---	---	---	---	---	---	---	---	---
	N18	21043	18.75	60	9	0.250	8.878	1	9	1.25	9	2321.22	2187
7	S1	20071	---	---	---	---	---	---	---	---	---	---	---
23	S2	10231	18.75	60	4	0.000	4	0.75	4	0.5	4	471.24	540
	S3	20233	18.75	60	8	0.150	7.926	0.75	8	0.625	8	1850.28	1188
	S4	20235	---	---	---	---	---	---	---	---	---	---	---
28	S5	20281	---	---	---	---	---	---	---	---	---	---	---
42	S6	10421	18.75	60	4	0.175	3.915	0.75	4	0.5	4	451.52	540
	S7	20423	18.75	60	9	0.000	9	0.75	9	0.75	9	2385.65	1458
	S8	20425	---	---	---	---	---	---	---	---	---	---	---
48	S9	20481	---	---	---	---	---	---	---	---	---	---	---
65	S10	10651	18.75	60	4	0.300	3.859	0.75	4	0.5	4	438.55	540
	S11	20653	18.75	60	8	0.000	8	0.75	8	0.75	8	1884.96	1296
	S12	20655	---	---	---	---	---	---	---	---	---	---	---
71	S13	20711	---	---	---	---	---	---	---	---	---	---	---
96	S14	20965	---	---	---	---	---	---	---	---	---	---	---
	S15	10961	---	---	---	---	---	---	---	---	---	---	---
104	S16	11045	18.75	60	9	0.400	8.807	1	9	0.625	9	2284.33	1579.5
	S17	21041	---	---	---	---	---	---	---	---	---	---	---
	S18	21043	18.75	60	9	0.400	8.2	1	9	1.25	9	1980.38	2187

¹ Arc length assumed to be 30 degrees

² Based on 2009 Ultrasonic Phased Array Method Inspection of Main Truss Spans Suspended Pins

Made By: ADK
Checked By: CTG

Date: 5/11/2012
Date: 5/11/2012

Job No.: P402110046
Sheet No.: _____

Pin Rating - As Built

Pin & Link		Dead Load	LIVE LOAD (SERVICE)							Truck Train		IMP	RATING FACTORS - SHEAR							
			HS20	2F1	3F1	4F1	5C1	HS-20	5C1	HS20			Ohio Legal Loads				Truck Train			
Panel	Pin #	V _{DL} (k)	V _{LL} (k)	V _{LL} (k)	V _{LL} (k)	V _{LL} (k)	V _{LL} (k)	V _{LL} (k)	V _{LL} (k)	V _{LL} (k)		Inv.	Opr.	2F1	3F1	4F1	5C1	HS-20	5C1	
7	N1	0.6	0.1	0.1	0.1	0.1	0.1	0.1	0.1	0.1	1.30	---	---	---	---	---	---	---	---	
23	N2	1.5	50.6	22.6	34.2	39.5	50.1	63.6	46.9	1.30	1.30	3.15	5.26	11.75	7.78	6.74	5.30	4.18	5.67	
	N3	396.1	206.2	89.5	133.3	151.9	186.4	220.5	189.5	1.30	1.30	2.29	3.82	8.79	5.90	5.18	4.22	3.57	4.15	
	N4	0.7	0.1	0.1	0.1	0.1	0.1	0.1	0.1	0.1	1.30	---	---	---	---	---	---	---	---	
	N5	1.5	0.1	0.1	0.1	0.1	0.1	0.1	0.1	0.1	1.30	---	---	---	---	---	---	---	---	
42	N6	29.0	31.9	12.8	19.2	22.3	27.0	37.2	27.5	1.30	1.30	4.57	7.62	19.06	12.64	10.93	9.00	6.54	8.85	
	N7	479.0	230.2	90.5	135.8	155.8	200.0	240.2	211.2	1.30	1.30	2.72	4.53	11.53	7.68	6.70	5.22	4.34	4.94	
	N8	2.0	0.1	0.1	0.1	0.1	0.1	0.1	0.1	0.1	1.30	---	---	---	---	---	---	---	---	
48	N9	2.0	0.1	0.1	0.1	0.1	0.1	0.1	0.1	0.1	1.30	---	---	---	---	---	---	---	---	
65	N10	12.3	49.9	15.2	23.1	26.8	33.8	48.6	40.4	1.30	1.30	3.23	5.40	17.77	11.68	10.06	7.96	5.54	6.67	
	N11	477.2	225.0	88.4	133.5	155.6	196.9	239.0	209.2	1.30	1.30	1.97	3.30	8.38	5.55	4.77	3.77	3.10	3.54	
	N12	1.4	0.1	0.1	0.1	0.1	0.1	0.1	0.1	0.1	1.30	---	---	---	---	---	---	---	---	
71	N13	1.4	0.1	0.1	0.1	0.1	0.1	0.1	0.1	0.1	1.30	---	---	---	---	---	---	---	---	
96	N14	0.1	0.1	0.1	0.1	0.1	0.1	0.1	0.1	0.1	1.30	---	---	---	---	---	---	---	---	
	N15	0.0	0.1	0.1	0.1	0.1	0.1	0.1	0.1	0.1	1.30	---	---	---	---	---	---	---	---	
104	N16	44.2	75.1	27.3	41.6	48.4	63.4	79.8	70.1	1.30	1.30	10.54	17.60	48.46	31.79	27.31	20.82	16.55	18.84	
	N17	0.1	0.1	0.1	0.1	0.1	0.1	0.1	0.1	0.1	1.30	---	---	---	---	---	---	---	---	
	N18	647.6	239.6	83.9	127.4	147.8	194.3	248.0	222.6	1.30	1.30	2.19	3.66	10.43	6.87	5.92	4.51	3.53	3.93	
7	S1	0.6	0.1	0.1	0.1	0.1	0.1	0.1	0.1	0.1	1.30	---	---	---	---	---	---	---	---	
23	S2	0.9	50.7	22.7	34.2	39.5	50.1	63.6	46.8	1.30	1.30	3.29	5.49	12.28	8.13	7.04	5.55	4.38	5.94	
	S3	395.4	204.2	89.5	133.3	151.9	186.4	220.5	189.6	1.30	1.30	2.32	3.87	8.84	5.93	5.20	4.24	3.59	4.17	
	S4	0.7	0.1	0.1	0.1	0.1	0.1	0.1	0.1	0.1	1.30	---	---	---	---	---	---	---	---	
	S5	1.5	0.1	0.1	0.1	0.1	0.1	0.1	0.1	0.1	1.30	---	---	---	---	---	---	---	---	
42	S6	28.5	30.0	13.0	19.7	22.7	27.8	37.6	28.0	1.30	1.30	4.91	8.19	18.80	12.47	10.78	8.83	6.52	8.75	
	S7	473.7	227.1	90.2	135.2	155.0	198.4	239.1	209.9	1.30	1.30	2.76	4.61	11.61	7.74	6.76	5.28	4.38	4.99	
	S8	2.0	0.1	0.1	0.1	0.1	0.1	0.1	0.1	0.1	1.30	---	---	---	---	---	---	---	---	
48	S9	2.0	0.1	0.1	0.1	0.1	0.1	0.1	0.1	0.1	1.30	---	---	---	---	---	---	---	---	
65	S10	11.4	34.5	15.2	23.2	26.9	34.3	49.0	40.8	1.30	1.30	4.35	7.27	16.49	10.83	9.32	7.30	5.12	6.15	
	S11	468.2	225.7	88.2	133.4	155.4	196.1	238.7	208.0	1.30	1.30	2.00	3.35	8.56	5.66	4.86	3.85	3.16	3.63	
	S12	1.4	0.1	0.1	0.1	0.1	0.1	0.1	0.1	0.1	1.30	---	---	---	---	---	---	---	---	
71	S13	1.4	0.1	0.1	0.1	0.1	0.1	0.1	0.1	0.1	1.30	---	---	---	---	---	---	---	---	
96	S14	0.1	0.1	0.1	0.1	0.1	0.1	0.1	0.1	0.1	1.30	---	---	---	---	---	---	---	---	
	S15	0.0	0.1	0.1	0.1	0.1	0.1	0.1	0.1	0.1	1.30	---	---	---	---	---	---	---	---	
104	S16	42.5	65.9	27.4	41.8	48.6	63.7	79.9	70.2	1.30	1.30	12.00	20.04	48.16	31.59	27.14	20.72	16.51	18.78	
	S17	0.1	0.1	0.1	0.1	0.1	0.1	0.1	0.1	0.1	1.30	---	---	---	---	---	---	---	---	
	S18	640.4	244.0	83.7	127.2	147.6	193.7	246.8	222.3	1.30	1.30	1.67	2.78	8.11	5.34	4.60	3.51	2.75	3.06	

Made By: ADK
Checked By: CTG

Date: 5/11/2012
Date: 5/11/2012

Job No.: P402110046
Sheet No.: _____

Pin Rating - As Built

Pin & Link		Dead Load	LIVE LOAD (SERVICE)					Truck Train		IMP	RATING FACTORS - BEARING							
Panel	Pin #		V _{DL} (k)	V _{LL} (k)	V _{LL} (k)	V _{LL} (k)	V _{LL} (k)	V _{LL} (k)	V _{LL} (k)		V _{LL} (k)	HS20		Ohio Legal Loads				Truck Train
										Inv.	Opr.	2F1	3F1	4F1	5C1	HS-20	5C1	
7	N1	0.6	0.1	0.1	0.1	0.1	0.1	0.1	0.1	1.30	---	---	---	---	---	---	---	---
23	N2	1.5	50.6	22.6	34.2	39.5	50.1	63.6	46.9	1.30	3.77	6.29	14.07	9.31	8.06	6.35	5.01	6.78
	N3	396.1	206.2	89.5	133.3	151.9	186.4	220.5	189.5	1.30	1.16	1.93	4.45	2.99	2.62	2.14	1.81	2.10
	N4	0.7	0.1	0.1	0.1	0.1	0.1	0.1	0.1	0.1	1.30	---	---	---	---	---	---	---
28	N5	1.5	0.1	0.1	0.1	0.1	0.1	0.1	0.1	1.30	---	---	---	---	---	---	---	---
42	N6	29.0	31.9	12.8	19.2	22.3	27.0	37.2	27.5	1.30	5.58	9.31	23.28	15.44	13.35	11.00	7.99	10.81
	N7	479.0	230.2	90.5	135.8	155.8	200.0	240.2	211.2	1.30	1.29	2.15	5.46	3.64	3.17	2.47	2.06	2.34
	N8	2.0	0.1	0.1	0.1	0.1	0.1	0.1	0.1	0.1	1.30	---	---	---	---	---	---	---
48	N9	2.0	0.1	0.1	0.1	0.1	0.1	0.1	0.1	1.30	---	---	---	---	---	---	---	---
65	N10	12.3	49.9	15.2	23.1	26.8	33.8	48.6	40.4	1.30	3.72	6.22	20.46	13.44	11.58	9.16	6.38	7.67
	N11	477.2	225.0	88.4	133.5	155.6	196.9	239.0	209.2	1.30	1.06	1.78	4.52	2.99	2.57	2.03	1.67	1.91
	N12	1.4	0.1	0.1	0.1	0.1	0.1	0.1	0.1	0.1	1.30	---	---	---	---	---	---	---
71	N13	1.4	0.1	0.1	0.1	0.1	0.1	0.1	0.1	1.30	---	---	---	---	---	---	---	---
96	N14	0.1	0.1	0.1	0.1	0.1	0.1	0.1	0.1	1.30	---	---	---	---	---	---	---	---
	N15	0.0	0.1	0.1	0.1	0.1	0.1	0.1	0.1	1.30	---	---	---	---	---	---	---	---
104	N16	44.2	75.1	27.3	41.6	48.4	63.4	79.8	70.1	1.30	7.19	12.00	33.03	21.67	18.62	14.19	11.28	12.84
	N17	0.1	0.1	0.1	0.1	0.1	0.1	0.1	0.1	1.30	---	---	---	---	---	---	---	---
	N18	647.6	239.6	83.9	127.4	147.8	194.3	248.0	222.6	1.30	1.99	3.32	9.48	6.25	5.39	4.10	3.21	3.58
7	S1	0.6	0.1	0.1	0.1	0.1	0.1	0.1	0.1	1.30	---	---	---	---	---	---	---	---
23	S2	0.9	50.7	22.7	34.2	39.5	50.1	63.6	46.8	1.30	3.77	6.30	14.08	9.32	8.07	6.36	5.02	6.81
	S3	395.4	204.2	89.5	133.3	151.9	186.4	220.5	189.6	1.30	1.17	1.95	4.46	2.99	2.63	2.14	1.81	2.10
	S4	0.7	0.1	0.1	0.1	0.1	0.1	0.1	0.1	0.1	1.30	---	---	---	---	---	---	---
28	S5	1.5	0.1	0.1	0.1	0.1	0.1	0.1	0.1	1.30	---	---	---	---	---	---	---	---
42	S6	28.5	30.0	13.0	19.7	22.7	27.8	37.6	28.0	1.30	5.95	9.94	22.82	15.13	13.08	10.71	7.91	10.62
	S7	473.7	227.1	90.2	135.2	155.0	198.4	239.1	209.9	1.30	1.31	2.20	5.53	3.68	3.22	2.51	2.08	2.37
	S8	2.0	0.1	0.1	0.1	0.1	0.1	0.1	0.1	0.1	1.30	---	---	---	---	---	---	---
48	S9	2.0	0.1	0.1	0.1	0.1	0.1	0.1	0.1	1.30	---	---	---	---	---	---	---	---
65	S10	11.4	34.5	15.2	23.2	26.9	34.3	49.0	40.8	1.30	5.40	9.01	20.43	13.42	11.56	9.05	6.34	7.62
	S11	468.2	225.7	88.2	133.4	155.4	196.1	238.7	208.0	1.30	1.08	1.80	4.61	3.05	2.62	2.07	1.70	1.95
	S12	1.4	0.1	0.1	0.1	0.1	0.1	0.1	0.1	0.1	1.30	---	---	---	---	---	---	---
71	S13	1.4	0.1	0.1	0.1	0.1	0.1	0.1	0.1	1.30	---	---	---	---	---	---	---	---
96	S14	0.1	0.1	0.1	0.1	0.1	0.1	0.1	0.1	1.30	---	---	---	---	---	---	---	---
	S15	0.0	0.1	0.1	0.1	0.1	0.1	0.1	0.1	1.30	---	---	---	---	---	---	---	---
104	S16	42.5	65.9	27.4	41.8	48.6	63.7	79.9	70.2	1.30	8.21	13.70	32.93	21.60	18.56	14.17	11.29	12.84
	S17	0.1	0.1	0.1	0.1	0.1	0.1	0.1	0.1	1.30	---	---	---	---	---	---	---	---
	S18	640.4	244.0	83.7	127.2	147.6	193.7	246.8	222.3	1.30	1.97	3.29	9.57	6.30	5.43	4.14	3.25	3.61