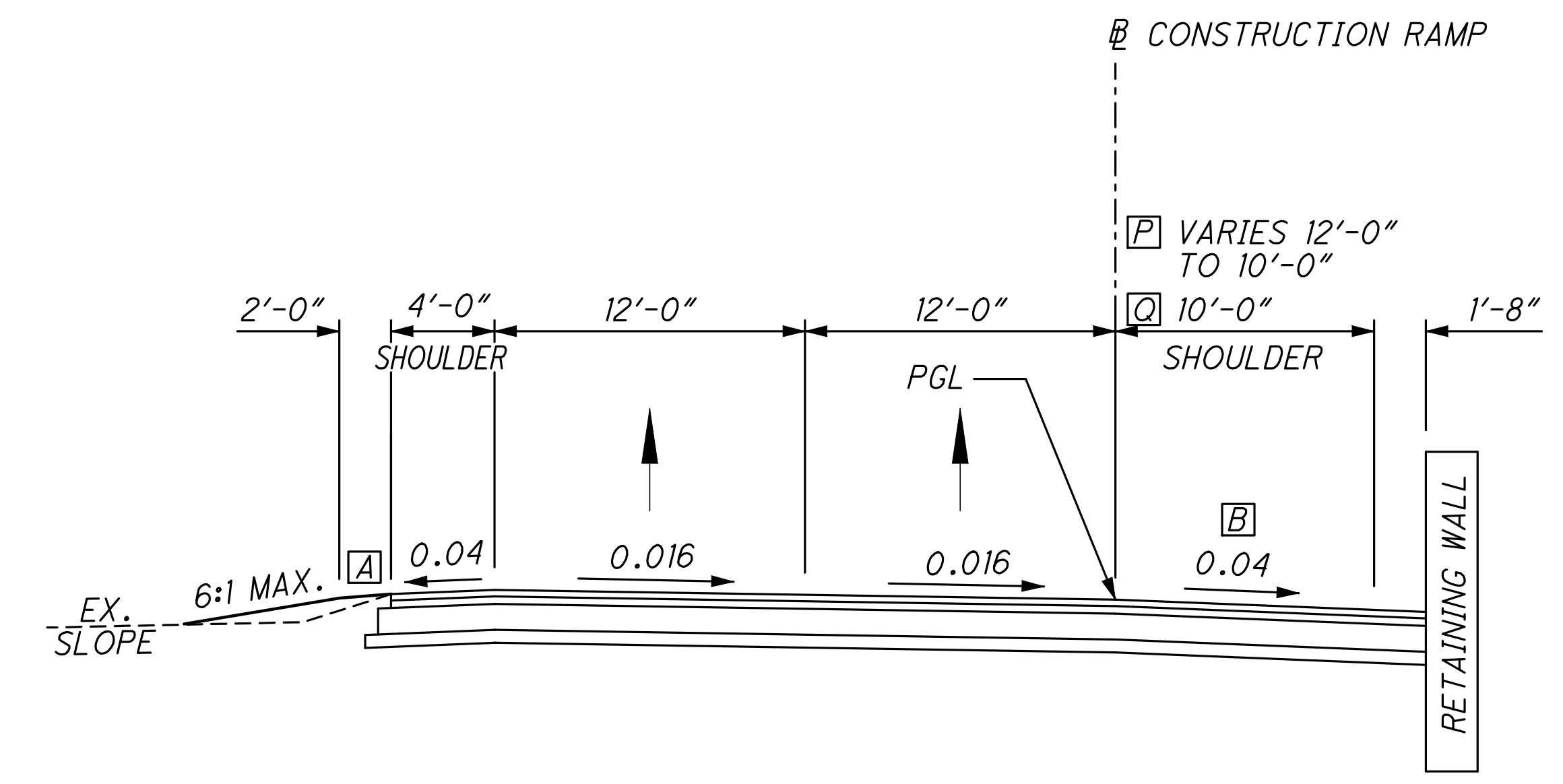


NORMAL SECTION - RAMP

SECTION APPLIES:
RAMP C5 - STA. 550+98.67 TO STA. 557+16.46 = 617.79 LIN. FT.

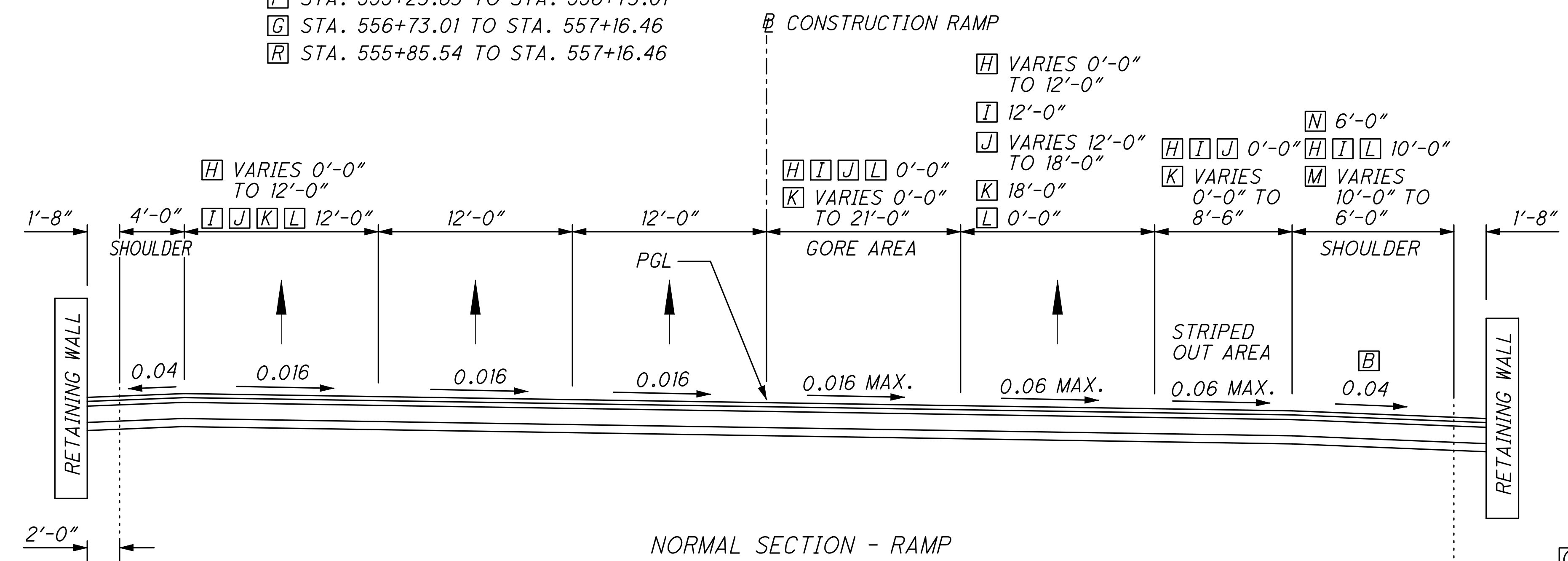
- C VARIES 14'-3" TO 16'-6"
- E VARIES 16'-6" TO 4'-0"
- F 4'-0"
- D VARIES 18'-8" TO 12'-0"
- R 0'-0"
- C D 12'-0"
- R VARIES 24'-0" TO 22'-5"
- G 8:1 MAX.
- B CONSTRUCTION RAMP



NORMAL SECTION - RAMP

SECTION APPLIES:
RAMP D1 - STA. 1307+13.59 TO STA. 1312+00.00 = 486.41 LIN. FT.

- P VARIES 12'-0" TO 10'-0"
- Q 10'-0"
- B 0'-0"
- B CONSTRUCTION RAMP

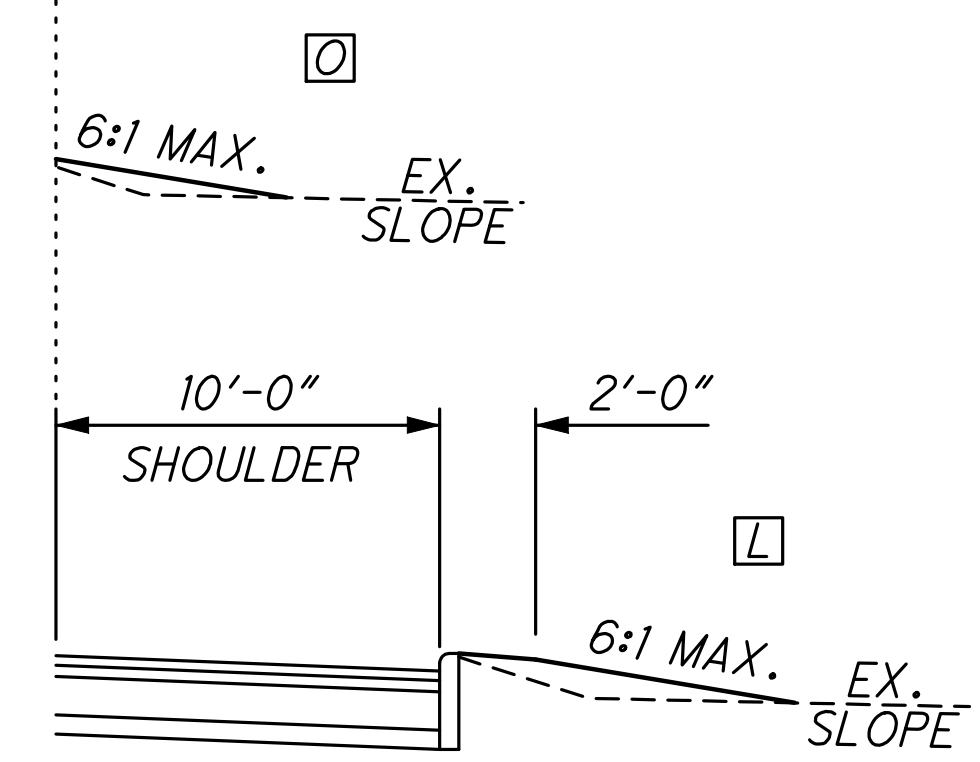
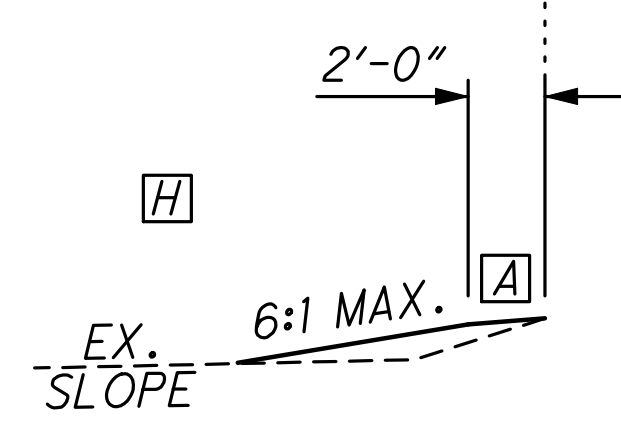


NORMAL SECTION - RAMP

SECTION APPLIES:
RAMP D1 - STA. 1312+00.00 TO STA. 1318+26.81 = 626.81 LIN. FT.

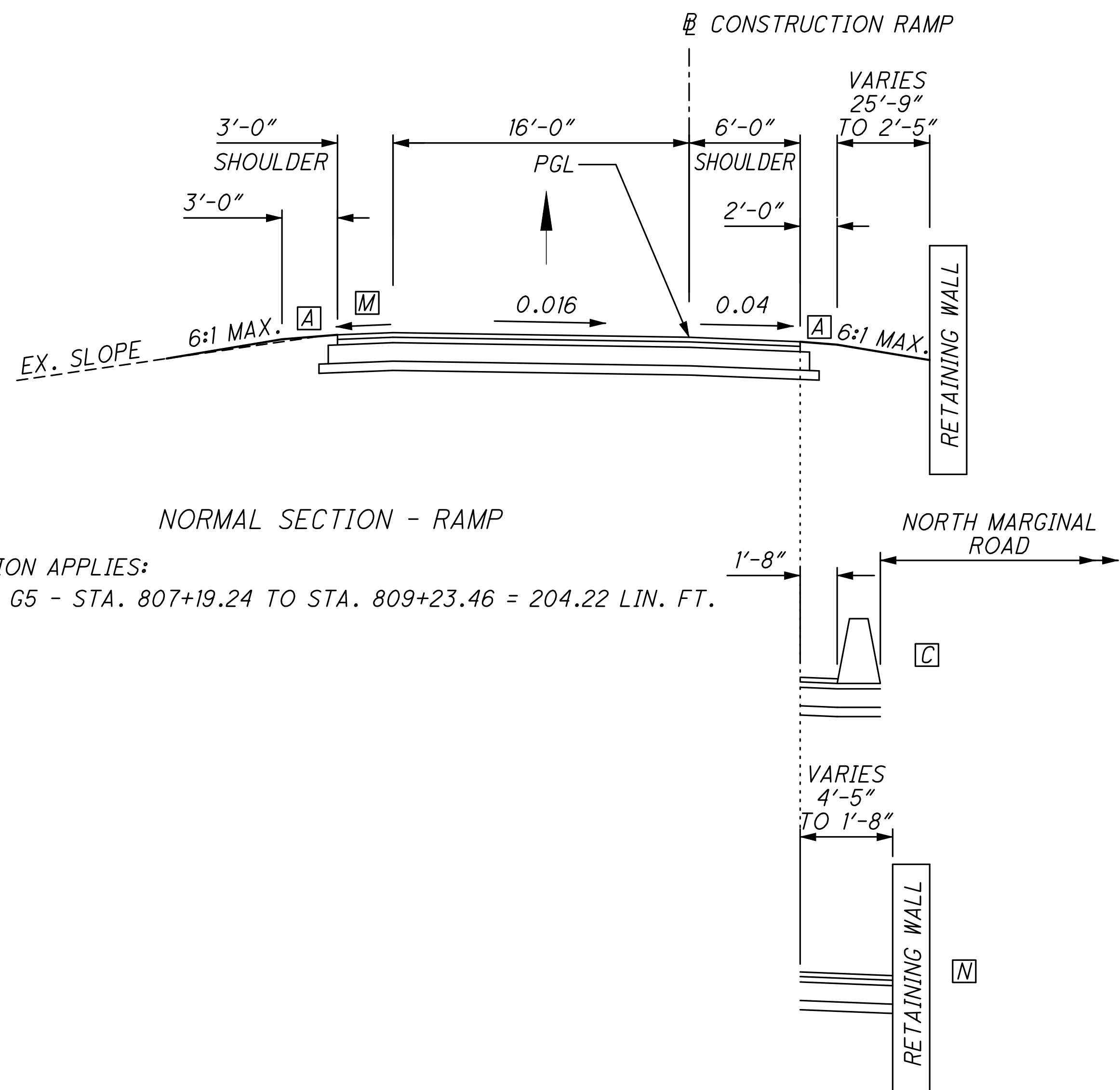
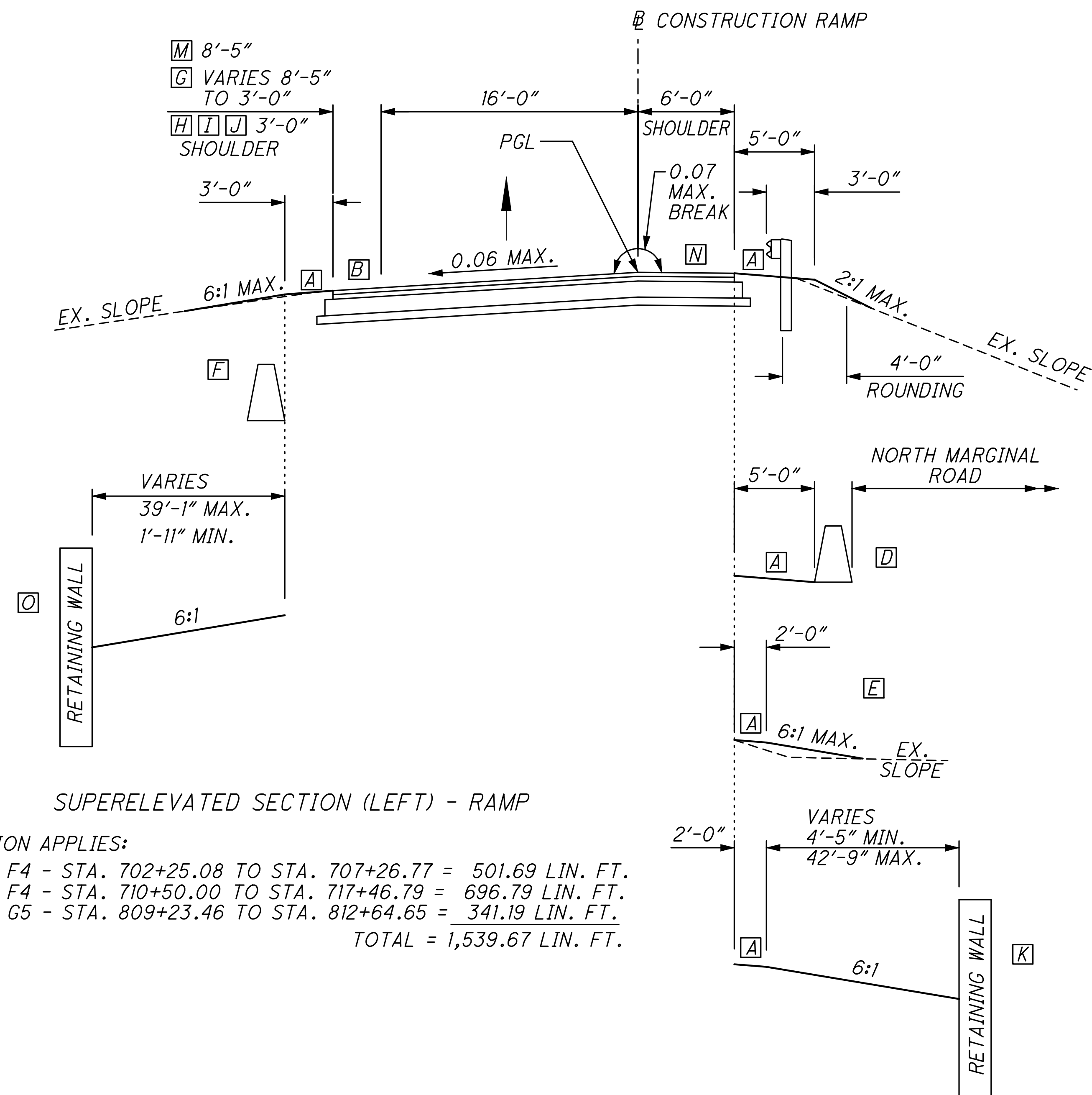
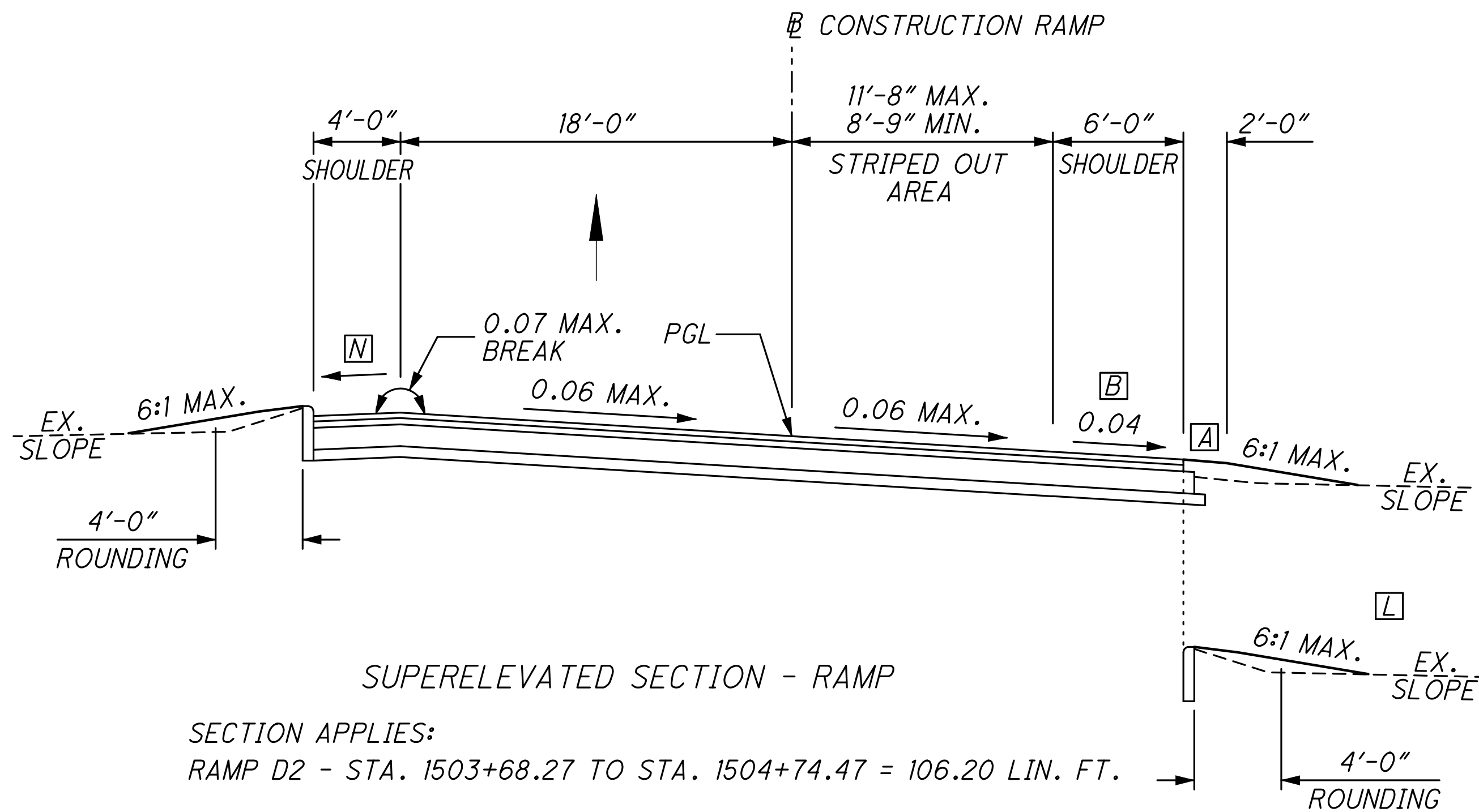
- H VARIES 0'-0" TO 12'-0"
- I VARIES 0'-0" TO 12'-0"
- J VARIES 12'-0" TO 18'-0"
- K VARIES 0'-0" TO 21'-0"
- L 0'-0"
- H VARIES 0'-0" TO 12'-0"
- I 12'-0"
- J VARIES 12'-0" TO 18'-0"
- K VARIES 0'-0" TO 8'-6"
- L 0'-0"
- M VARIES 10'-0" TO 6'-0"
- N 6'-0"
- O VARIES 10'-0" TO 6'-0"
- B CONSTRUCTION RAMP

- H STA. 1312+00.00 TO STA. 1312+50.00
- I STA. 1312+50.00 TO STA. 1314+29.67
- J STA. 1314+29.67 TO STA. 1317+28.86
- K STA. 1317+28.86 TO STA. 1317+89.83
- L STA. 1317+89.83 TO STA. 1318+26.81
- M STA. 1314+29.67 TO STA. 1316+29.61
- N STA. 1316+29.61 TO STA. 1317+89.83
- O STA. 1314+69.03 TO STA. 1317+89.83
- P STA. 1307+13.59 TO STA. 1307+61.77
- Q STA. 1307+61.77 TO STA. 1312+00.00



- A 0.08 SLOPE
- B OR PAVEMENT SLOPE, WHICHEVER IS GREATER

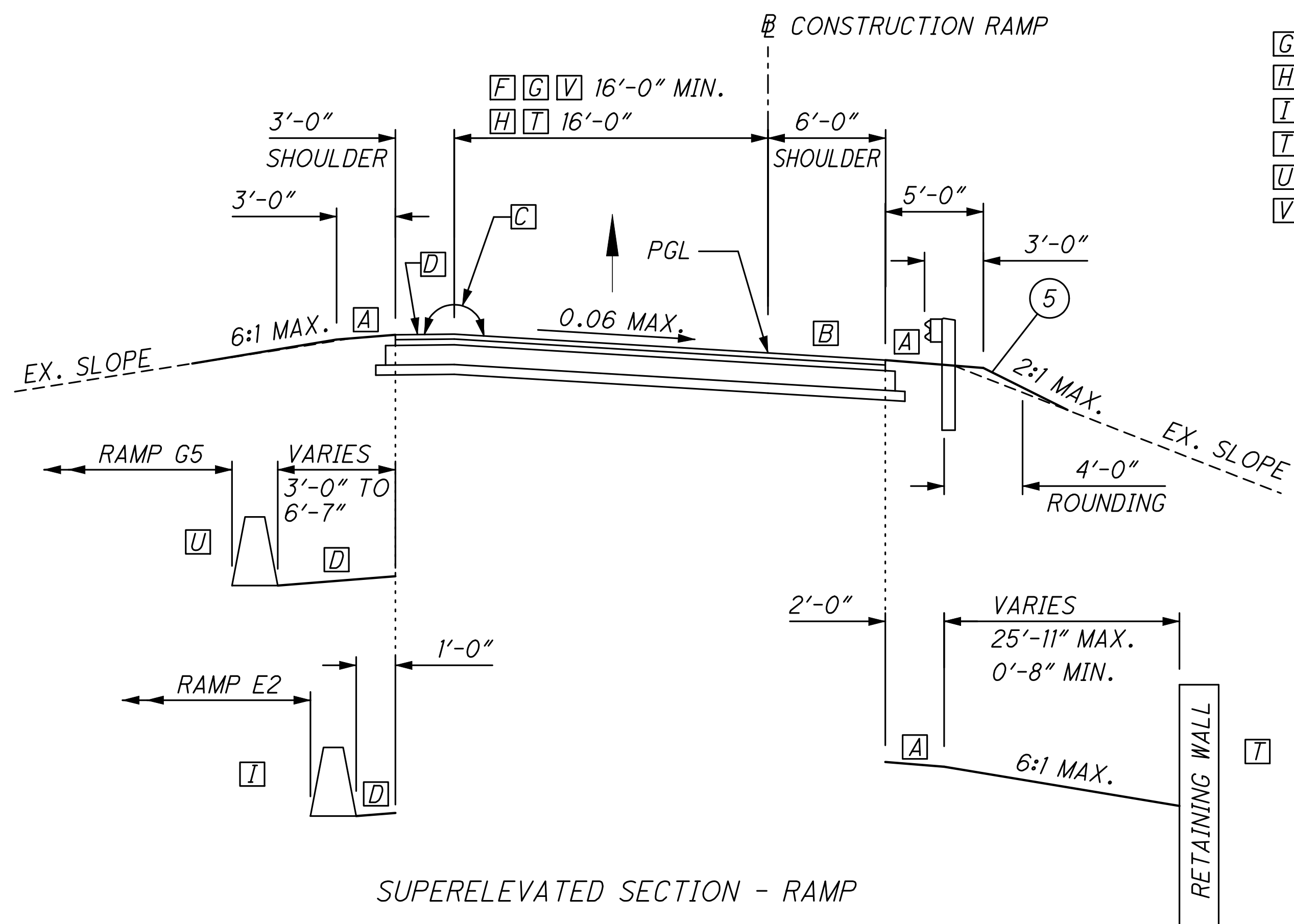
p:\pr40566\cadd\rdw\sh\CCG4\77413rv002.dgn



- C STA. 807+71.82 TO STA. 810+62.61
- D STA. 809+23.46 TO STA. 810+62.61
- E STA. 810+62.61 TO STA. 812+64.65
- F STA. 812+22.38 TO STA. 812+64.65
- G STA. 702+26.52 TO STA. 703+62.31
- H STA. 703+62.31 TO STA. 707+26.47
- I STA. 710+50.00 TO STA. 717+46.79
- J STA. 809+23.46 TO STA. 812+64.64
- K STA. 710+50.00 TO STA. 713+54.38
- L STA. 1504+63.75 TO STA. 1504+74.47
- M STA. 702+25.08 TO STA. 702+26.52
- N STA. 804+94.97 TO STA. 807+71.82
- Q STA. 710+50.00 TO STA. 717+26.31

- A 0.08 SLOPE
- B OR PAVEMENT SLOPE, WHICHEVER IS GREATER
- M 0.04 SLOPE
- N VARIES 0.04 TO 0.01

p:\pr40566\cadd\rdw\sh\t\CCG4\77413rv002.dgn

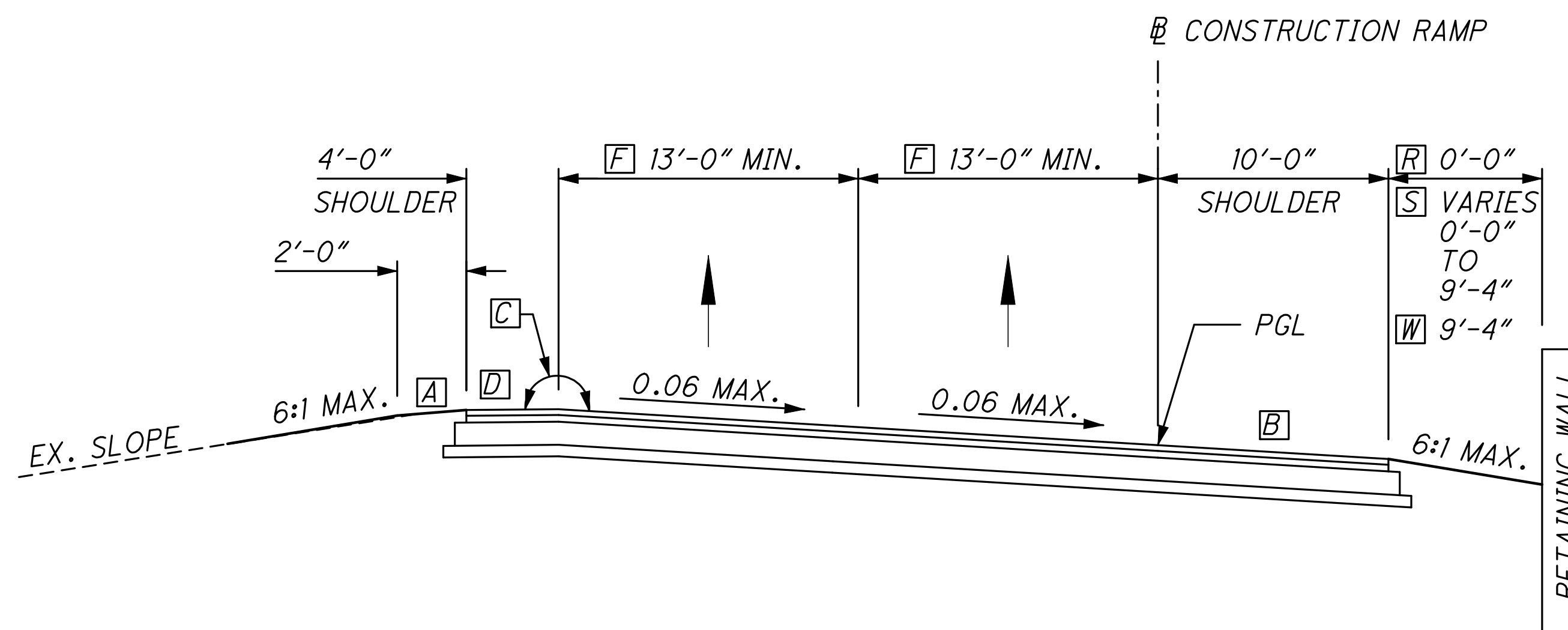


SUPERELEVATED SECTION - RAMP

SECTION APPLIES:

RAMP E1 - STA. 504+05.26 TO STA. 513+87.60 = 982.34 LIN. FT.
 RAMP G5 - STA. 802+72.56 TO STA. 807+19.24 = 446.68 LIN. FT.
 RAMP G6 - STA. 901+04.31 TO STA. 904+45.36 = 341.05 LIN. FT.
 TOTAL = 1,770.07 LIN. FT.

- [G] STA. 504+05.26 TO STA. 513+00.00
- [H] STA. 513+00.00 TO STA. 513+87.60
- [I] STA. 509+43.26 TO STA. 513+87.60
- [T] STA. 802+72.56 TO STA. 807+19.24
- [U] STA. 901+04.31 TO STA. 901+35.37
- [V] STA. 901+04.31 TO STA. 904+45.36

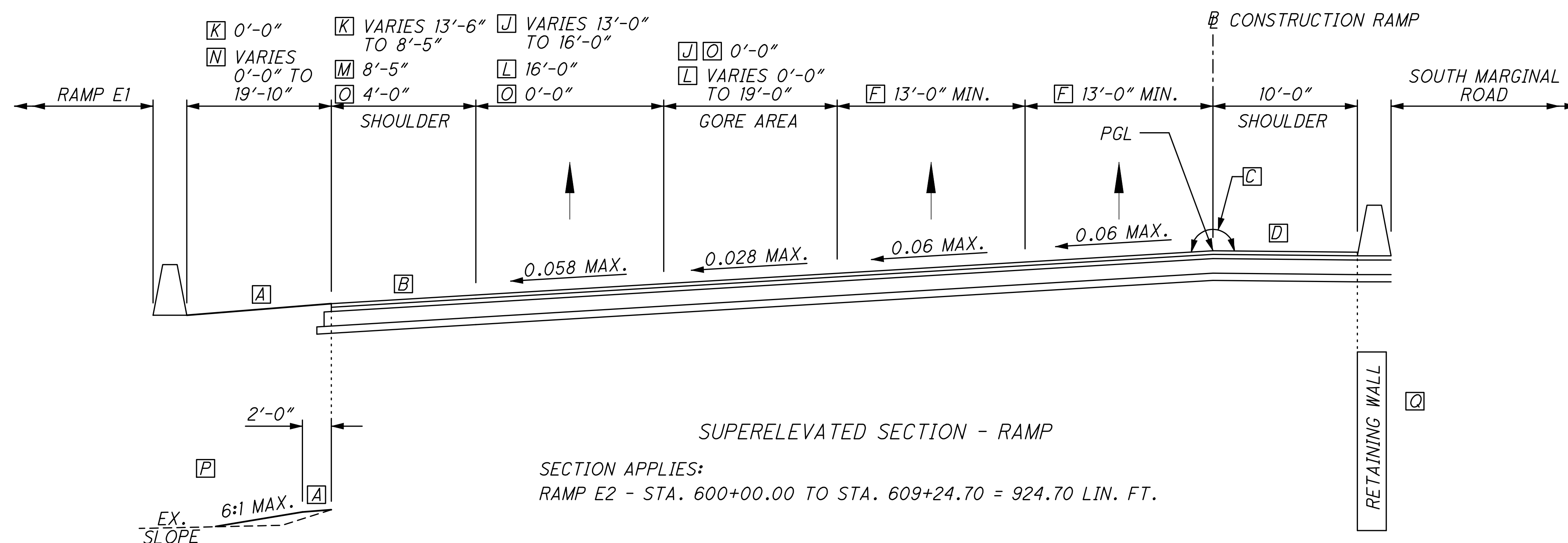


SUPERELEVATED SECTION - RAMP

SECTION APPLIES:

RAMP E2 - STA. 609+24.70 TO STA. 613+96.48 = 471.78 LIN. FT.

- [R] STA. 609+24.70 TO STA. 610+31.90
- [S] STA. 610+31.90 TO STA. 611+47.87
- [W] STA. 611+47.87 TO STA. 613+96.48



SUPERELEVATED SECTION - RAMP

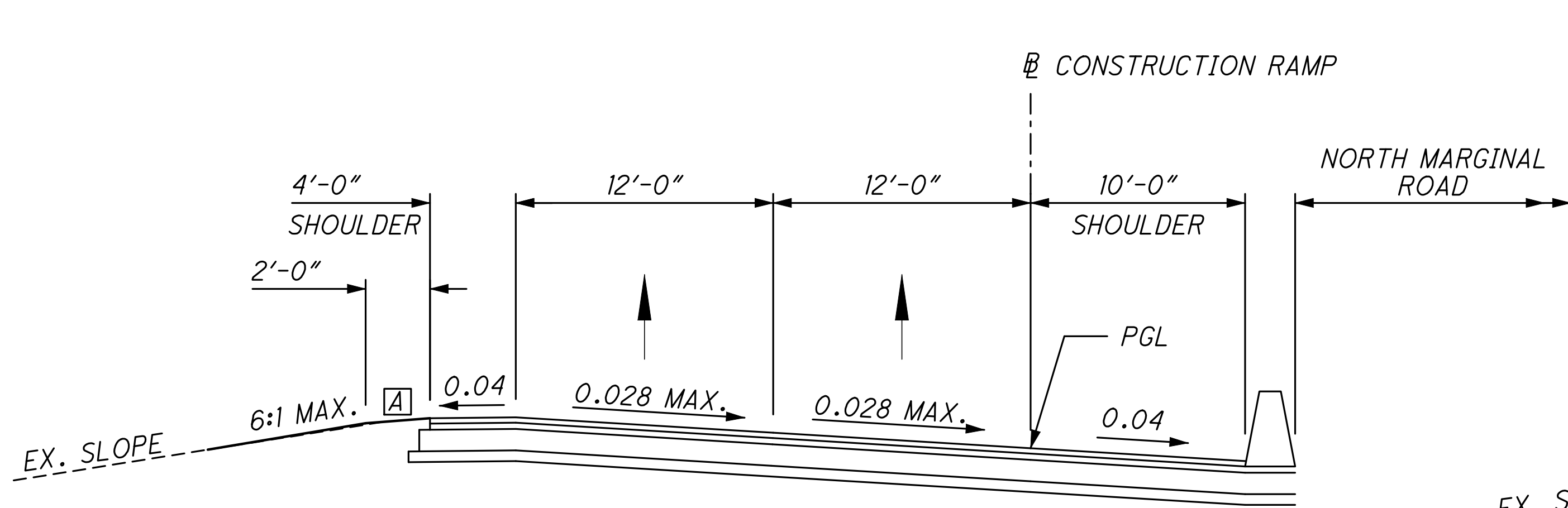
SECTION APPLIES:

RAMP E2 - STA. 600+00.00 TO STA. 609+24.70 = 924.70 LIN. FT.

- [J] STA. 600+00.00 TO STA. 602+77.84
- [K] STA. 600+00.00 TO STA. 603+44.95
- [L] STA. 602+77.84 TO STA. 604+97.07
- [M] STA. 603+44.95 TO STA. 604+97.51
- [N] STA. 603+44.95 TO STA. 604+76.54
- [O] STA. 604+97.07 TO STA. 609+24.70
- [P] STA. 604+76.54 TO STA. 609+24.70
- [Q] STA. 605+55.67 TO STA. 609+24.70

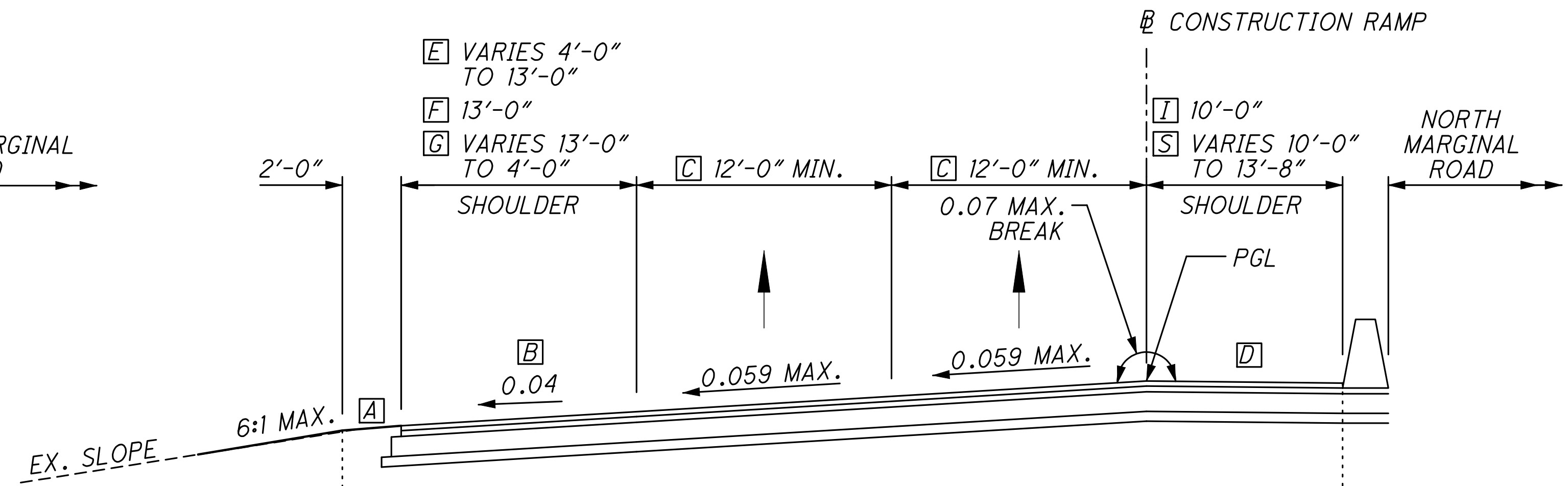
- [A] 0.08 SLOPE
- [B] 0.04 OR PAVEMENT SLOPE, WHICHEVER IS GREATER
- [C] 0.07 MAX. BREAK
- [D] VARIES 0.04 TO 0.01
- [E] 0.04 SLOPE
- [F] WIDEN CURVE AS REQUIRED PER ODOT LOCATION AND DESIGN MANUAL, VOLUME 1.

p:\pr40566\cadd\rdw\sh\ccg4\77413rv002.dgn



SUPERELEVATED SECTION - RAMP

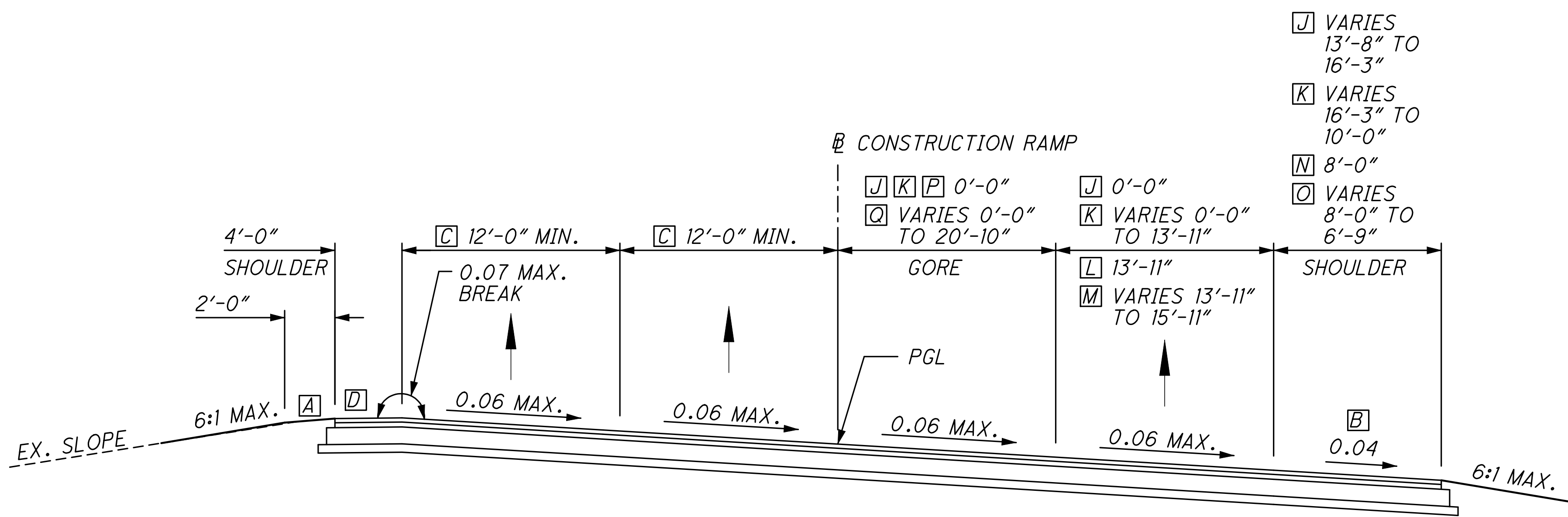
SECTION APPLIES:
RAMP F3 - STA. 404+29.77 TO STA. 406+51.34 = 221.57 LIN. FT.



SUPERELEVATED SECTION - RAMP

SECTION APPLIES:
RAMP F3 - STA. 406+51.34 TO STA. 416+06.79 = 955.45 LIN. FT.

- [E] STA. 406+51.34 TO STA. 409+71.33
- [F] STA. 409+71.33 TO STA. 412+86.79
- [G] STA. 412+86.79 TO STA. 416+06.79
- [H] STA. 410+50.00 TO STA. 416+06.79
- [I] STA. 406+51.34 TO STA. 415+00.00
- [R] STA. 408+51.76 TO STA. 411+91.65
- [S] STA. 415+00.00 TO STA. 416+06.79



SUPERELEVATED SECTION - RAMP

SECTION APPLIES:
RAMP F3 - STA. 416+06.79 TO STA. 423+49.31 = 742.52 LIN. FT.

- [J] VARIES 13'-8" TO 16'-3"
- [K] VARIES 16'-3" TO 10'-0"
- [N] 8'-0"
- [O] VARIES 8'-0" TO 6'-9"

- [J] STA. 416+06.79 TO STA. 416+90.00
- [K] STA. 416+90.00 TO STA. 417+90.00
- [L] STA. 417+90.00 TO STA. 420+82.15
- [M] STA. 420+82.15 TO STA. 423+49.31
- [N] STA. 417+90.00 TO STA. 422+75.33
- [O] STA. 422+75.33 TO STA. 423+49.31
- [P] STA. 417+90.00 TO STA. 421+05.07
- [Q] STA. 421+05.07 TO STA. 423+49.31

- [A] 0.08 SLOPE
- [B] OR PAVEMENT SLOPE, WHICHEVER IS GREATER
- [C] WIDEN CURVE AS REQUIRED PER ODOT LOCATION AND DESIGN MANUAL, VOLUME 1.
- [D] VARIES 0.04 TO 0.01

p:\pr40566\cadd\rdw\sh\CCG4\77413rv002.dgn