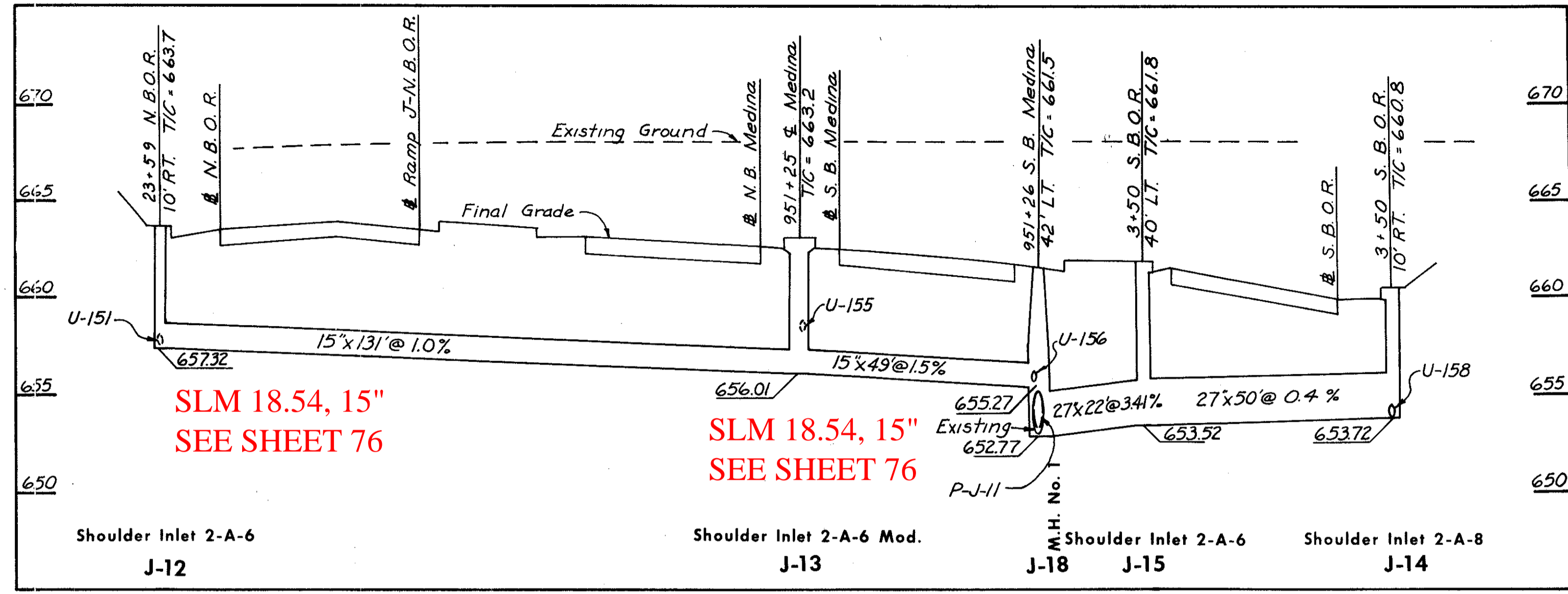


CUYAHOGA COUNTY  
CITY OF CLEVELAND  
MEDINA-CLARK INTERCHANGE  
CUY-71-18.54  
CUY-90-13.81



SLM 18.54, 15"  
SEE SHEET 76

SLM 18.54, 15"  
SEE SHEET 76

P-J-12  
CLASS B-1

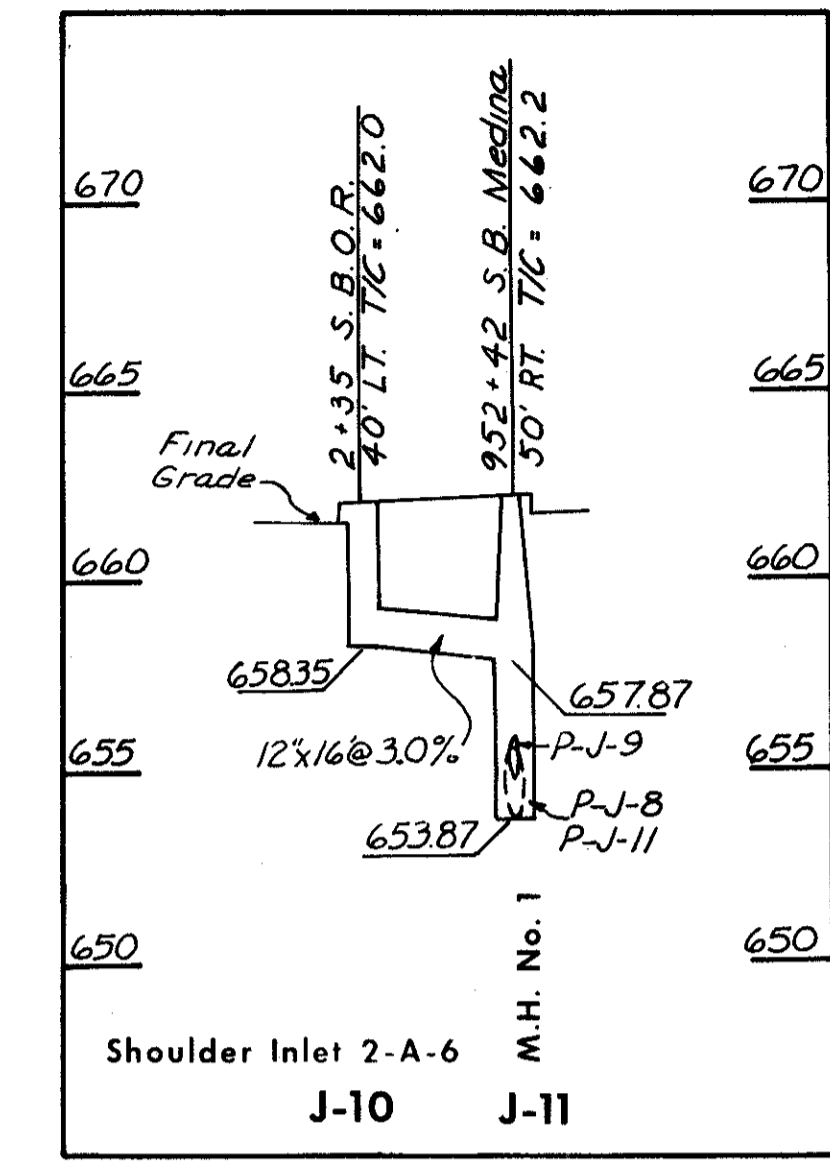
P-J-13  
CLASS B-1

P-J-15  
CLASS E-1

P-J-14  
CLASS B-1

SLM 18.54, 27"  
SEE SHEET 76

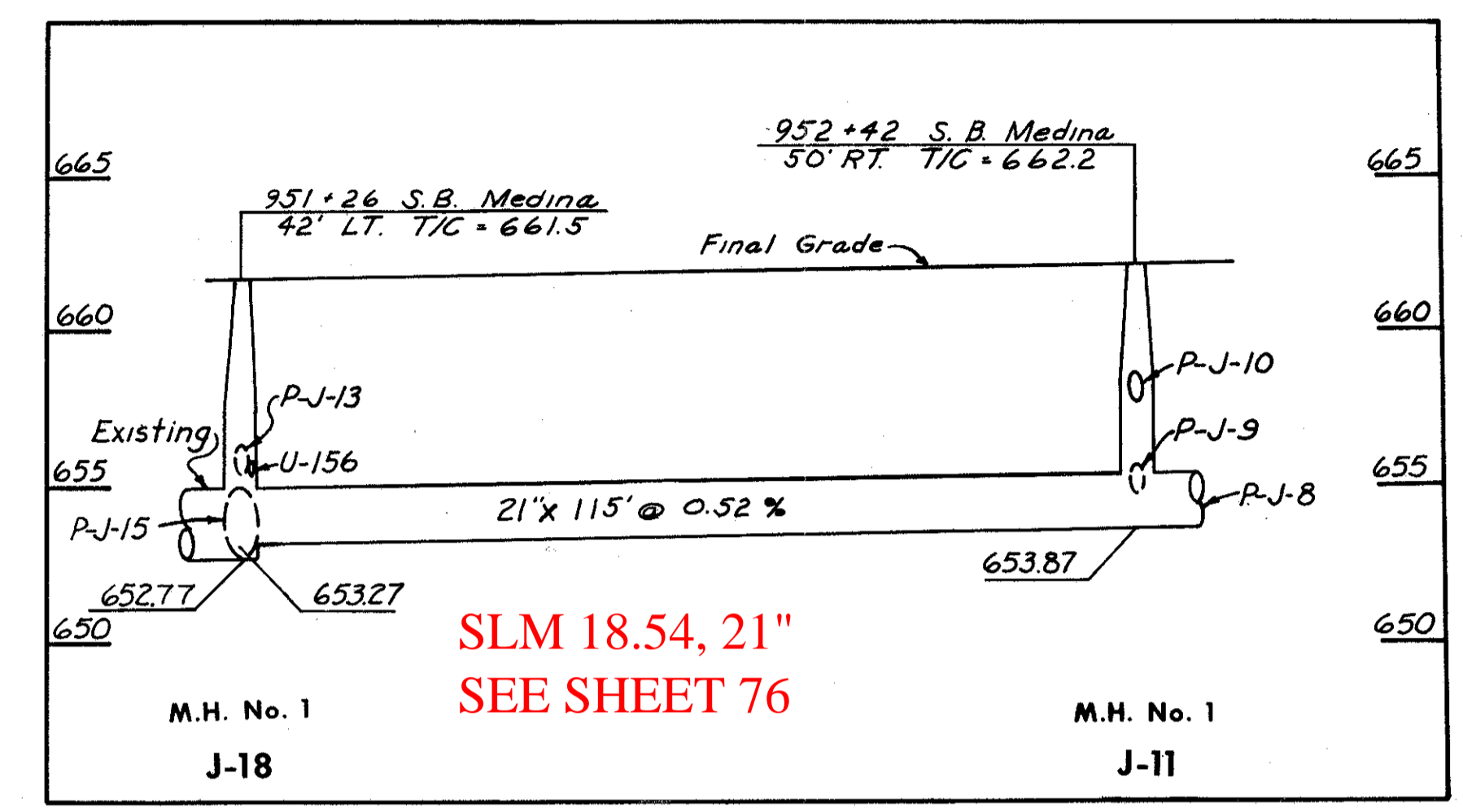
SLM 18.54, 27"  
SEE SHEET 76



SLM 18.57, 12"  
SEE SHEET 76

P-J-10  
CLASS E-1

P-J-11  
CLASS B-1



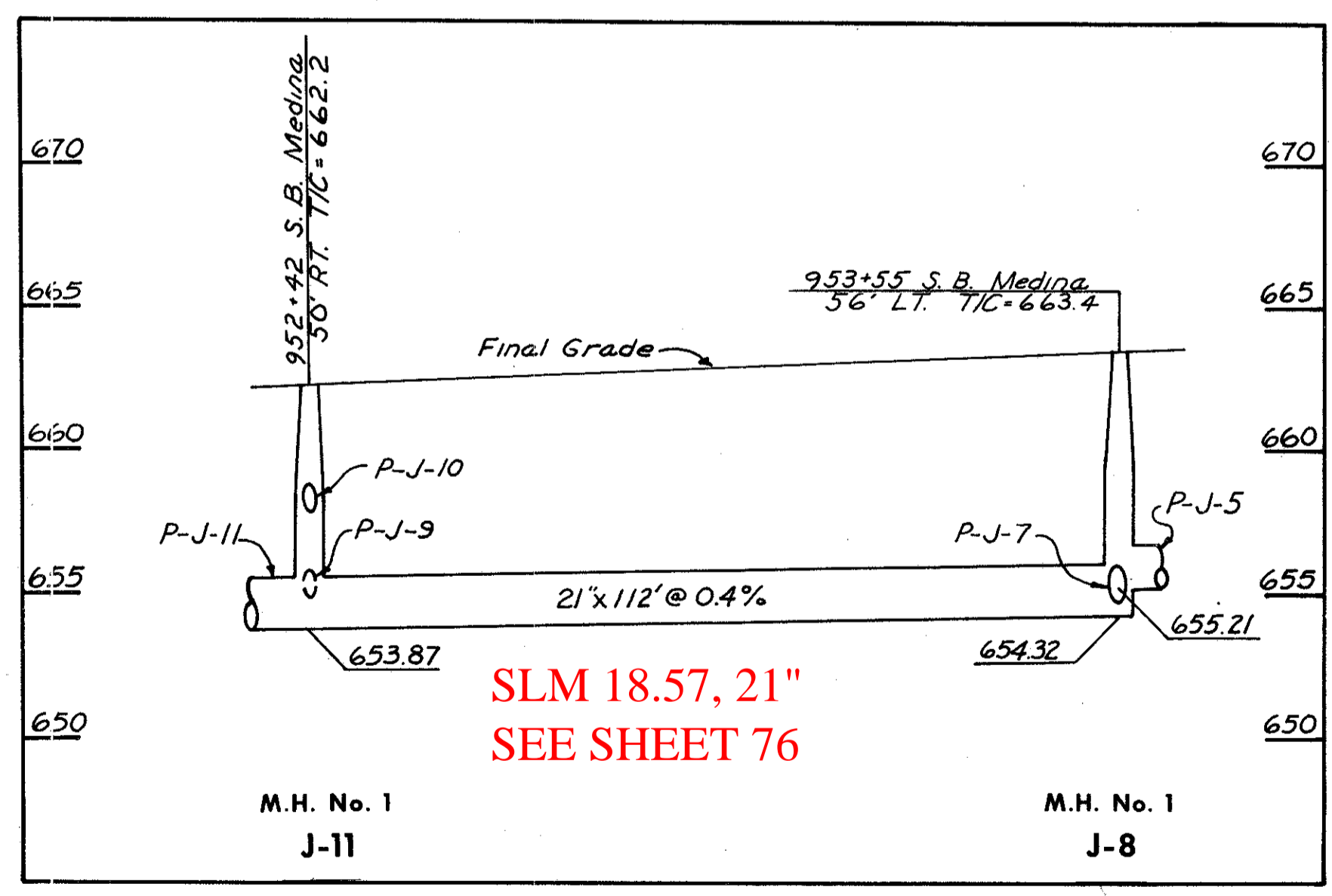
SLM 18.54, 21"  
SEE SHEET 76

M.H. No. 1  
J-18

M.H. No. 1  
J-11

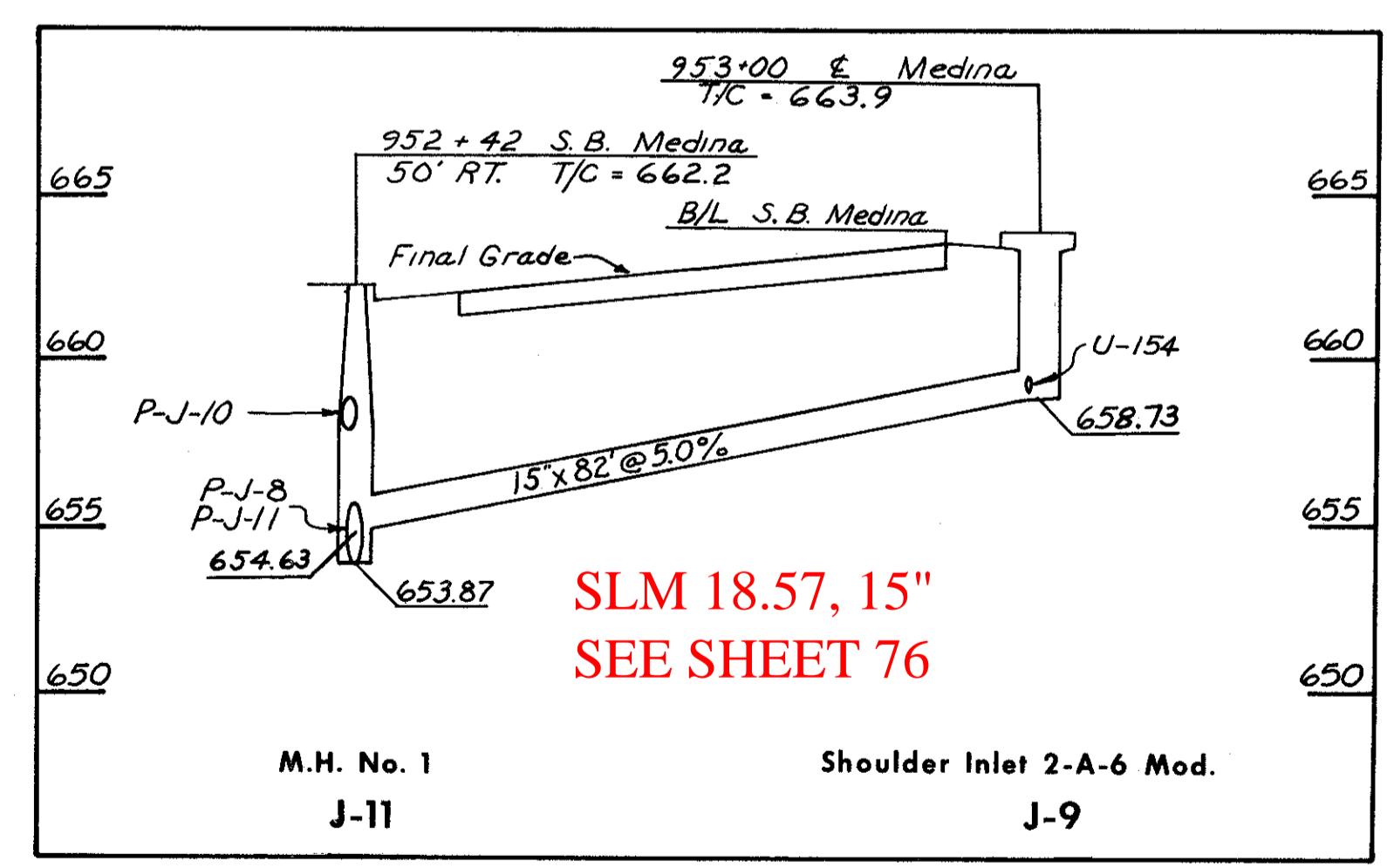
ESTIMATED QUANTITIES

I-8 STRUCTURES					
CODE	LOCATION	Shoulder Inlet	Shoulder Inlet	Shoulder Inlet	M.H. No. 1
		2-A-6	2-A-6 Mod.	2-A-8	
J-9	953+00 Medina	1	1		
J-10	2+35 Lane S.B.O.R. 40' LT.	1			
J-11	952+42 S.B. Medina 50' RT.				1
J-12	23+59 N.B.O.R. 10' RT.	1			
J-13	951+25 Medina		1		
J-14	3+50 Lane S.B.O.R. 10' RT.			1	
J-15	3+50 Lane S.B.O.R. 40' LT.	1			
J-18	951+26 S.B. Medina 42' LT.				1
CUY-71-18.54 TOTALS		3	2	1	2



SLM 18.57, 21"  
SEE SHEET 76

P-J-8  
CLASS E-1



SLM 18.57, 15"  
SEE SHEET 76

P-J-9  
CLASS B-1

CODE	ROADWAY	INLET CODE		I-1 PIPE						
				CLASS B-1	CLASS B-1	CLASS B-1	CLASS E-1	CLASS E-1	CLASS E-1	
		FROM	TO	15"	21"	27"	12"	21"	27"	
P-J-8	Southbound Medina	8	11							
P-J-9	Southbound Medina	9	11	82'						
P-J-10	S.B.O.R.	10	11				16'			
P-J-11	Southbound Medina	11	18		115'					
P-J-12	N.B.O.R.	12	13	131'						
P-J-13	Northbound Medina	13	18	49'						
P-J-14	S.B.O.R.	14	15				50'			
P-J-15	S.B.O.R.	15	18							22'
CUY-71-18.54 TOTALS				262'	115'	50'	16'	112'	22'	