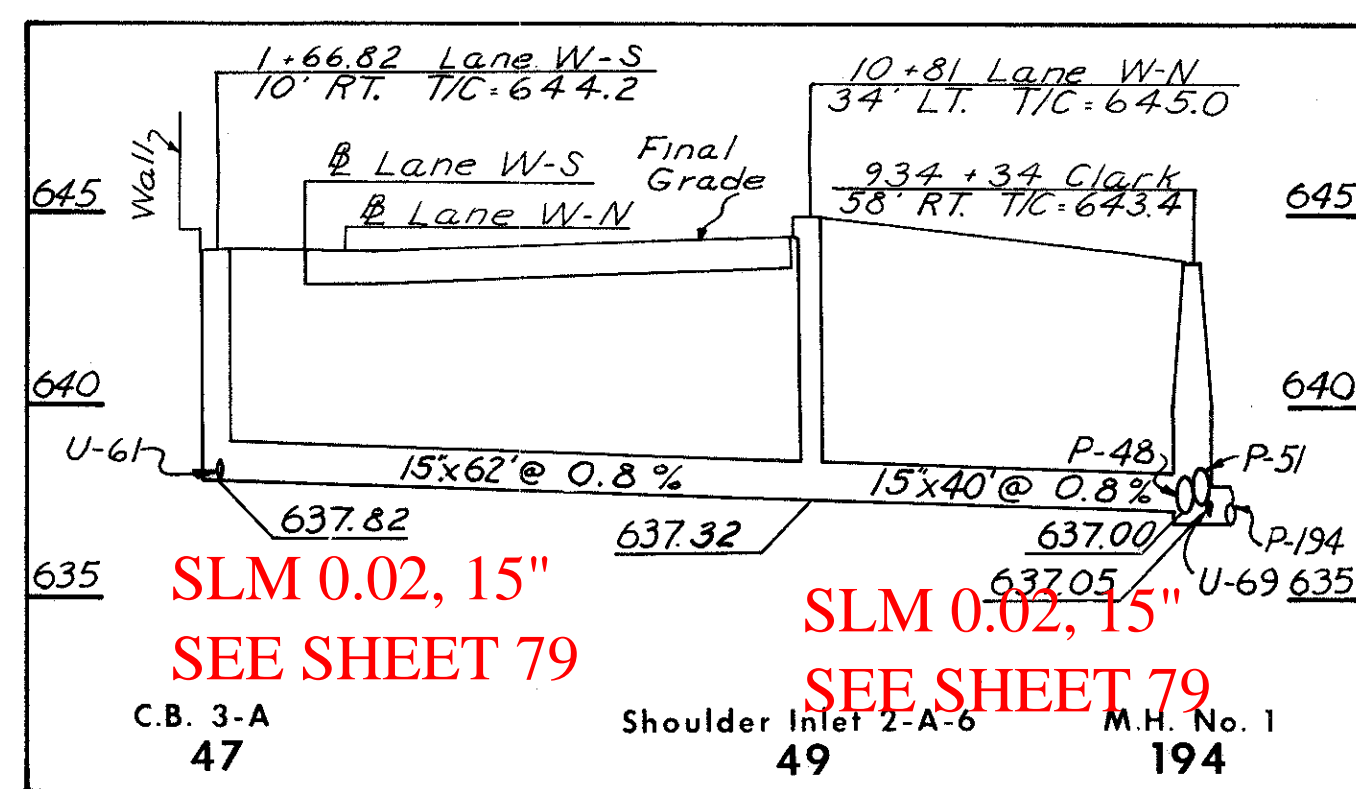


CUYAHOGA COUNTY
CITY OF CLEVELAND
MEDINA-CLARK INTERCHANGE
CUY-71-18.54
CUY-90-13.81

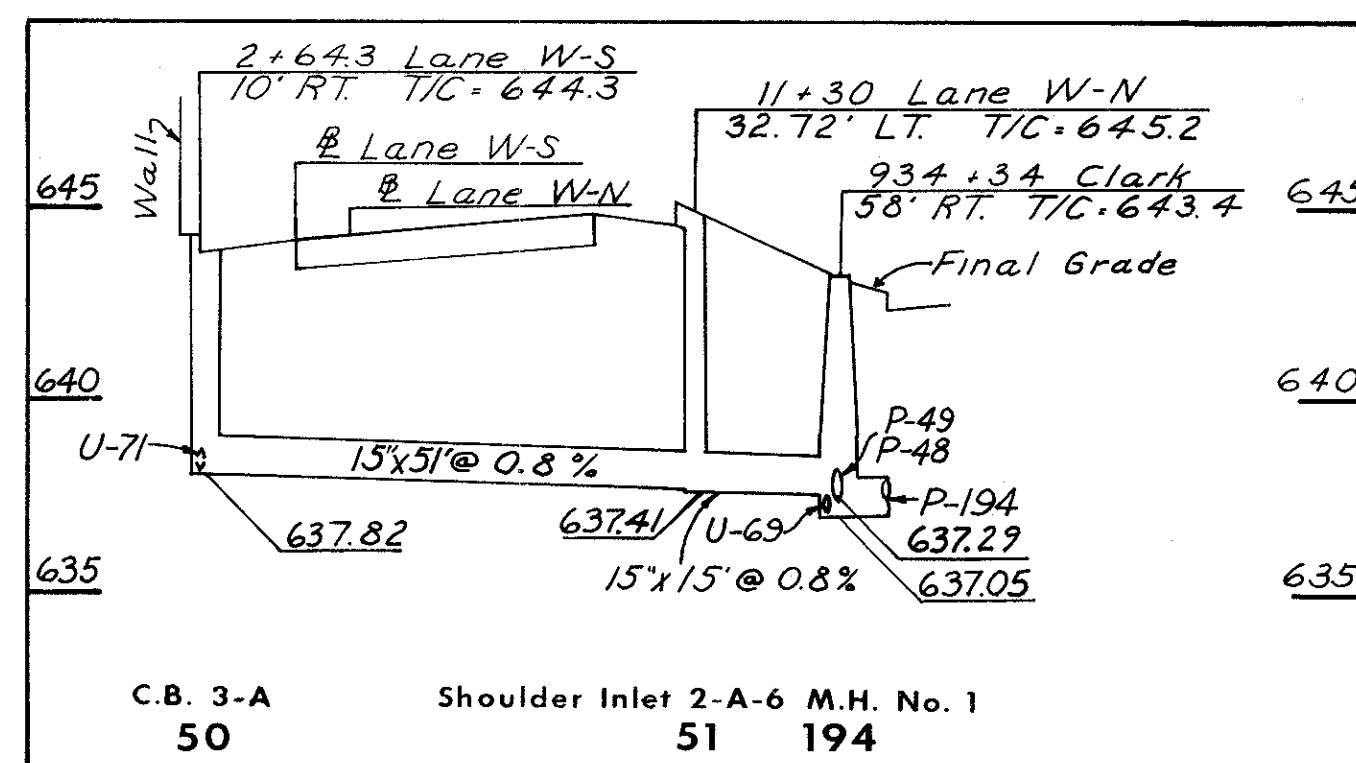


SLM 0.02, 15"
SEE SHEET 79

SLM 0.02, 15"
SEE SHEET 79

P-47
CLASS B-1

P-49
CLASS E-1

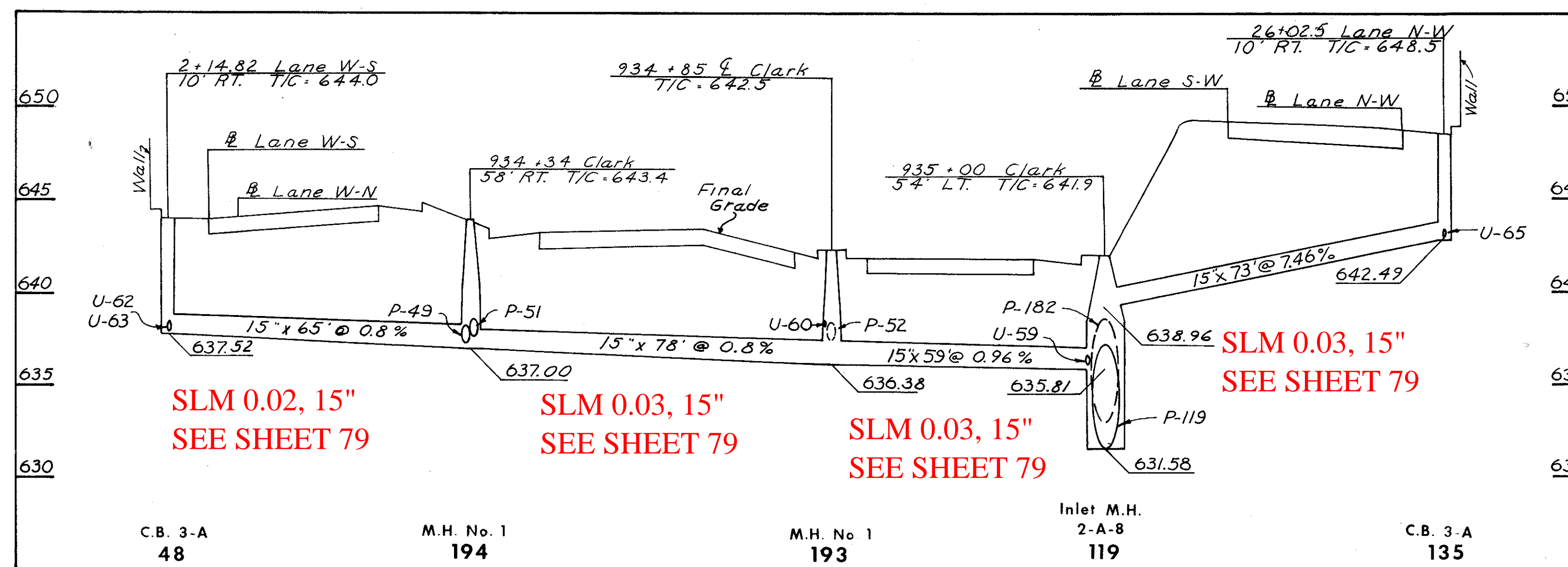


SLM 0.02, 15"
SEE SHEET 79

SLM 0.02, 15"
SEE SHEET 79

P-50
CLASS B-1

P-51
CLASS E-1



SLM 0.02, 15"
SEE SHEET 79

SLM 0.03, 15"
SEE SHEET 79

SLM 0.03, 15"
SEE SHEET 79

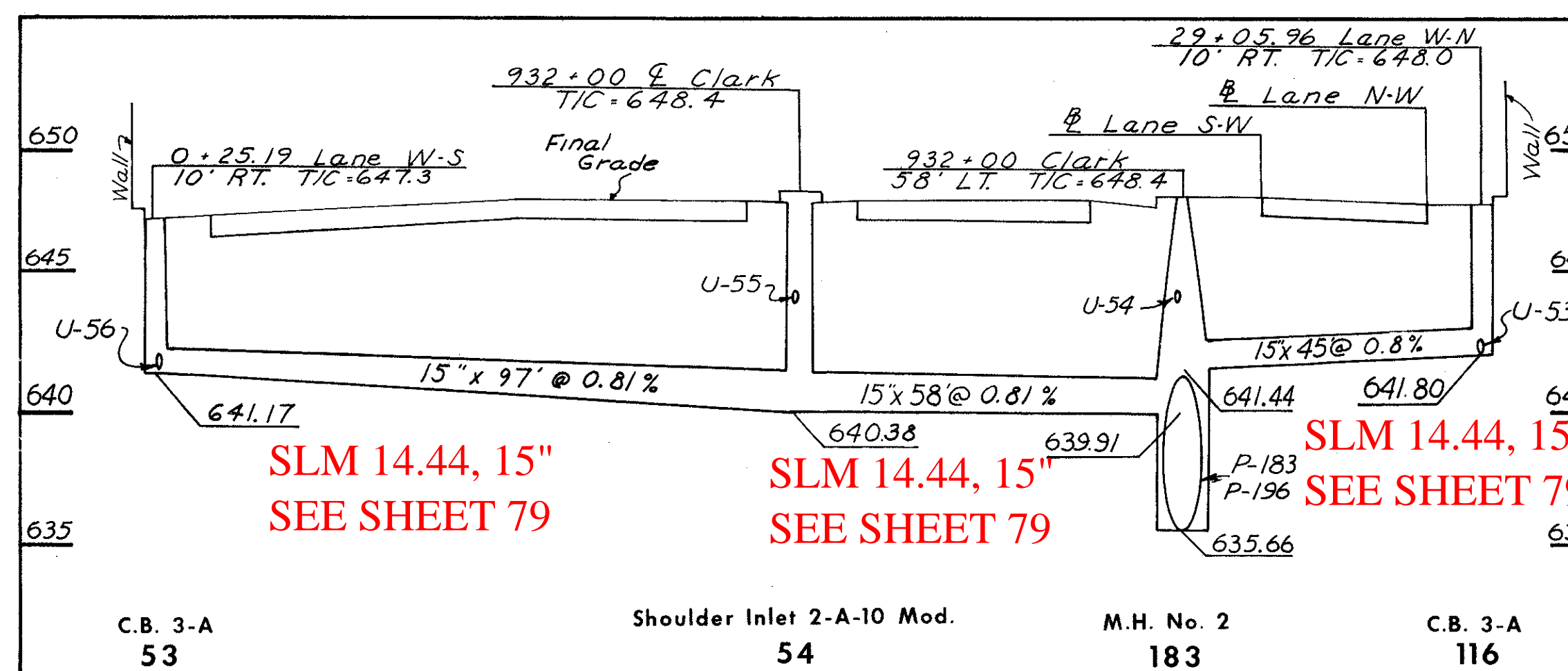
SLM 0.03, 15"
SEE SHEET 79

P-48 CLASS B-1

P-194 CLASS B-1

P-193 CLASS B-1

P-135 CLASS B-1



SLM 14.44, 15"
SEE SHEET 79

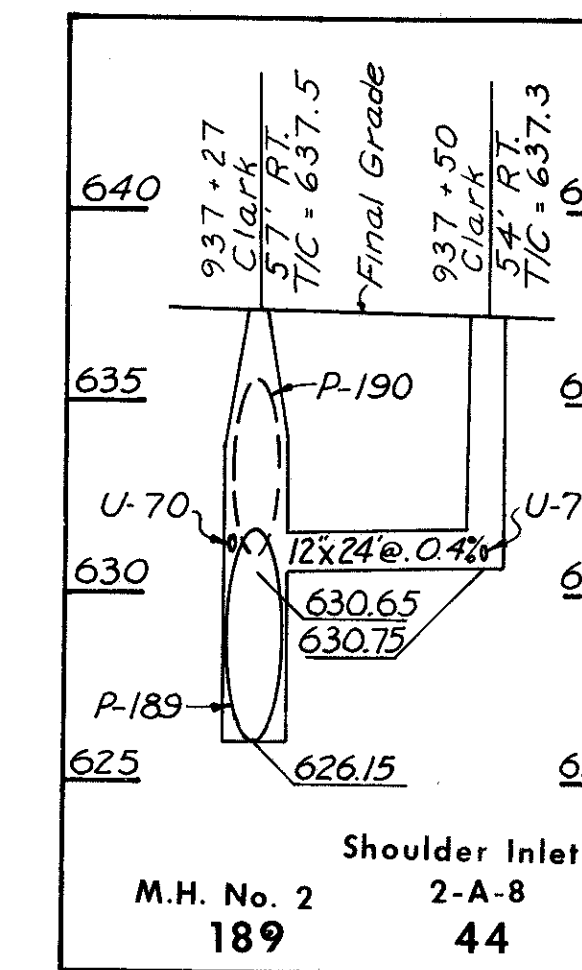
SLM 14.44, 15"
SEE SHEET 79

SLM 14.44, 15"
SEE SHEET 79

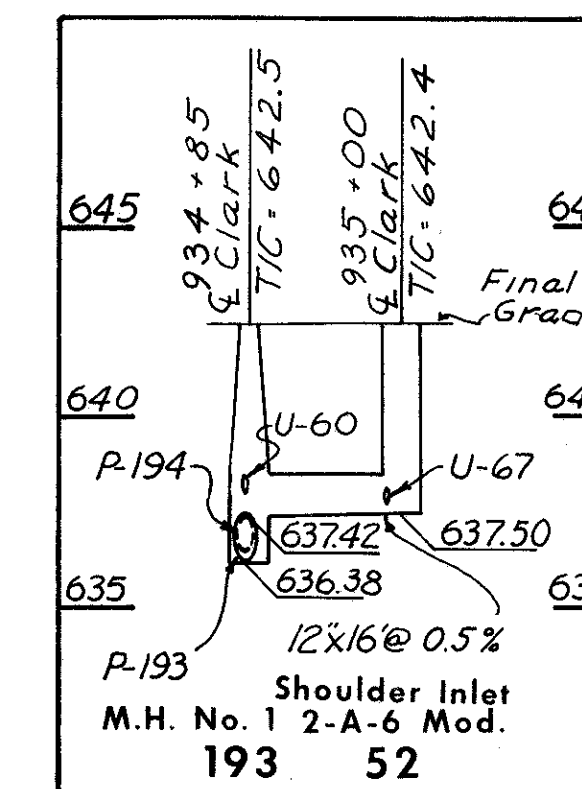
P-53 CLASS B-1

P-54 CLASS B-1

P-116 CLASS B-1



P-44
CLASS E-1



P-52
CLASS B-1

ESTIMATED QUANTITIES

CODE	LOCATION	I-B STRUCTURES						
		Shoulder Inlet 2-A-6	Shoulder Inlet 2-A-6 Mod.	Shoulder Inlet 2-A-8	Shoulder Inlet 2-A-10 Mod.	C.B. 3-A	M.H. No. 1	M.H. No. 2
		44	937+50 Clark 54' Rt.			1		
47	1+66.82 Lane W-S 10' Rt. *					1 *		
48	2+14.82 Lane W-S 10' Rt. *					1 *		
49	10+81 Lane W-N 34' Lt. *	1 *						
50	2+64.31 Lane W-S 10' Rt. *					1 *		
51	11+30 Lane W-N 32.72 Lt. *	1 *						
52	935+00 Clark E		1					
53	0+25.19 Lane W-S 10' Rt. *					1 *		
54	932+00 Clark E			1				
116	29+05.96 Lane N-W 10' Rt. *					1 *		
135	26+00 Lane N-W 10' Rt. *					1 *		
189	937+27 Clark 57' Rt.							1
193	934+85 Clark E						1	
194	934+34 Clark 58' Rt.						1	
	CUY-71-18.54 TOTALS		1	1	1		2	1
	CUY-90-13.81 TOTALS	2 *				6 *		

CODE	ROADWAY	INLET CODE		I-1 PIPE			
		FROM	TO	CLASS B-1	CLASS B-1	CLASS E-1	CLASS E-1
		12"	15"	12"	15"		
P-44	Clark Freeway	44	189			24'	
P-47	LANE W-S *	47	49		62' *		
P-48	LANE W-S *	48	194		65' *		
P-49	LANE W-N *	49	194				40' *
P-50	LANE W-S *	50	51		51' *		
P-51	LANE W-N *	51	194				15' *
P-52	Clark Freeway	52	193	16' ✓			
P-53	LANE W-S *	53	54		97' *		
P-54	Clark Freeway	54	183		58'		
P-116	LANE N-W *	116	183		45' *		
P-135	LANE N-W *	135	119		73' *		
P-193	Clark Freeway	193	119		59'		
P-194	Clark Freeway	194	193		78'		
	CUY-71-18.54 TOTALS			16' ✓	195' ✓	24' ✓	
	CUY-90-13.81 TOTALS				393' *		55' *

P-44,
P-47 thru P-54,
P-116, P-135,
P-193, and P-194
SEWER PROFILES