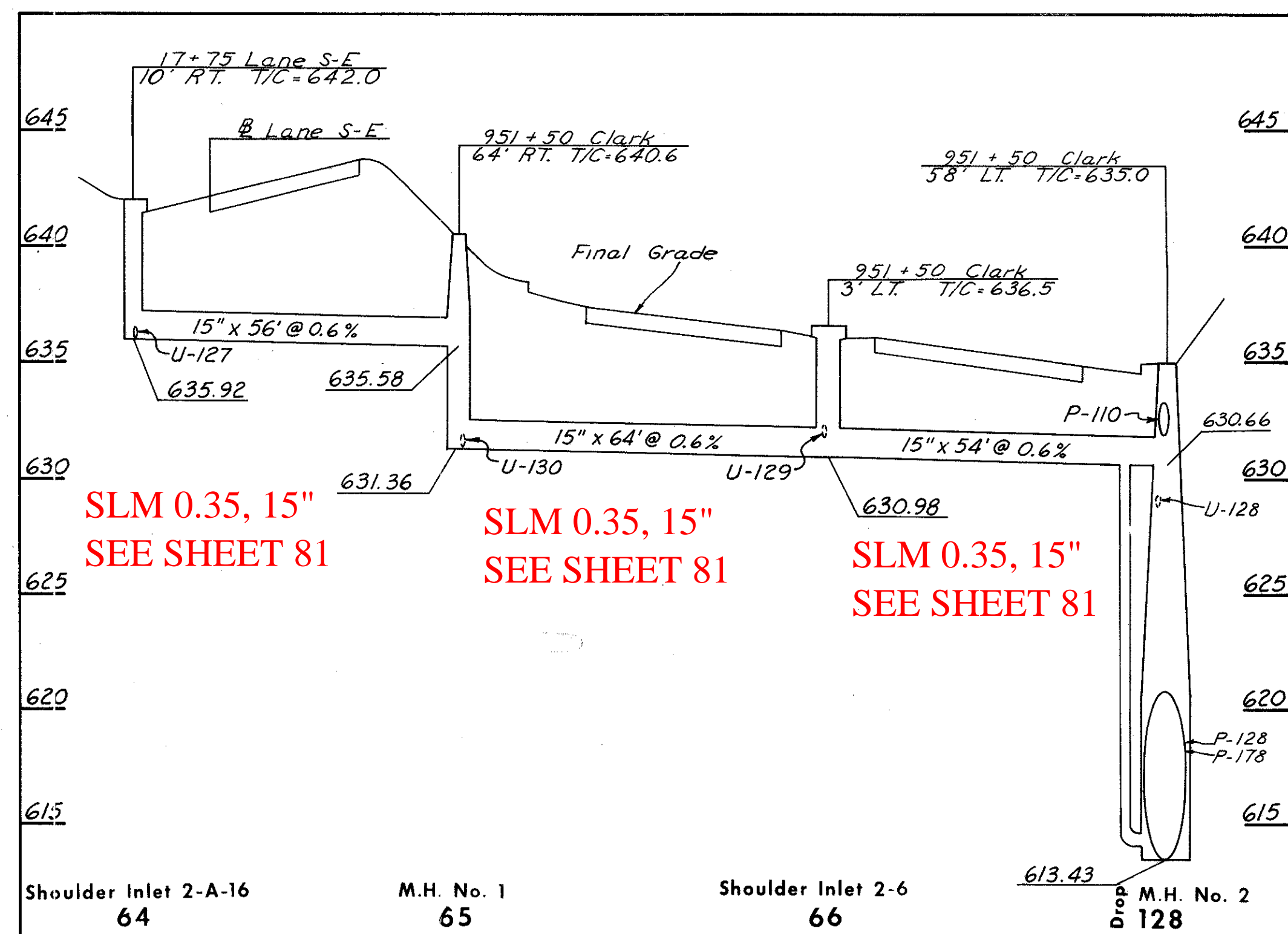


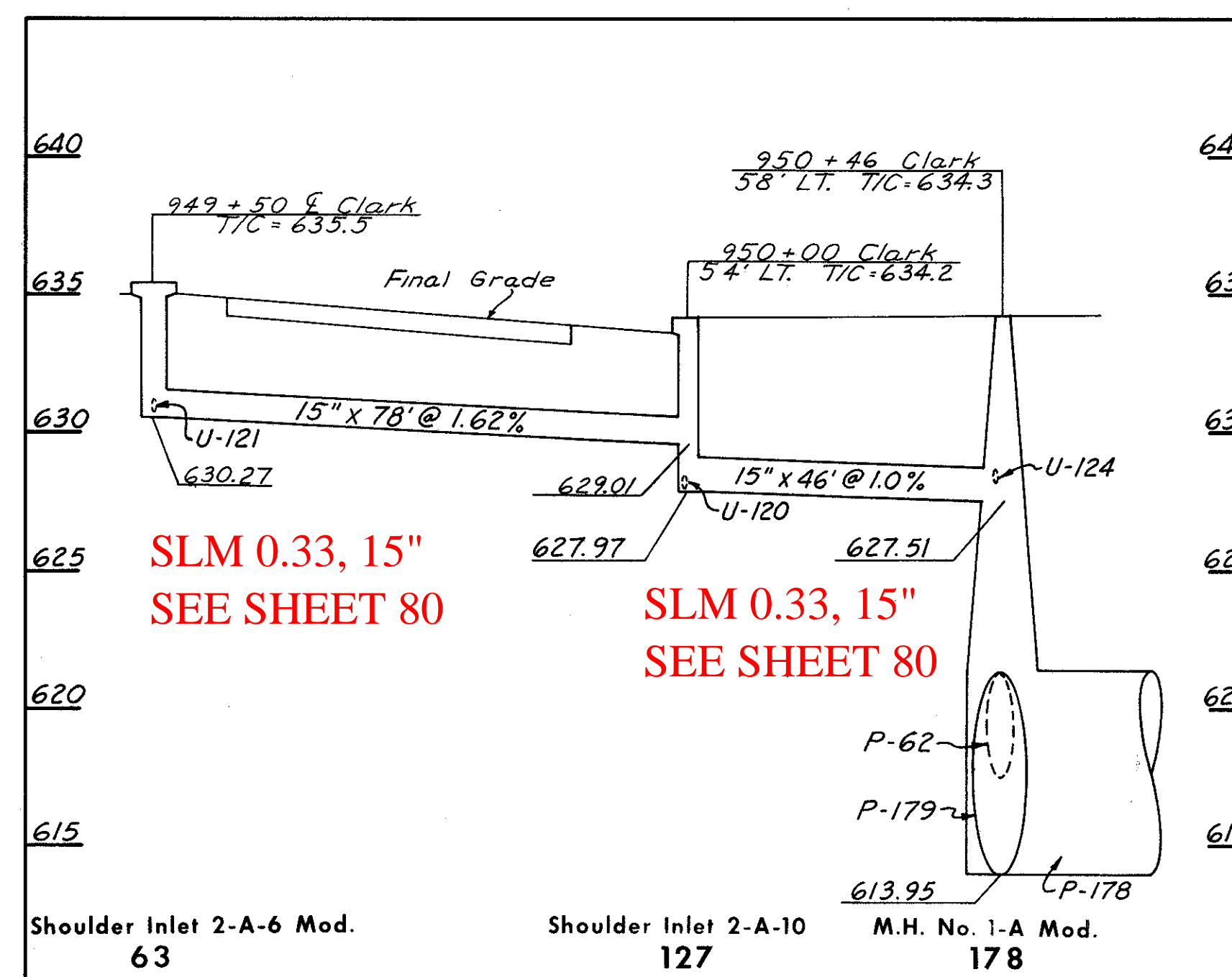
CUYAHOGA COUNTY  
CITY OF CLEVELAND  
MEDINA-CLARK INTERCHANGE  
CUY- 71-18.54  
CUY- 90-13.81



**P-64**  
CLASS B-1

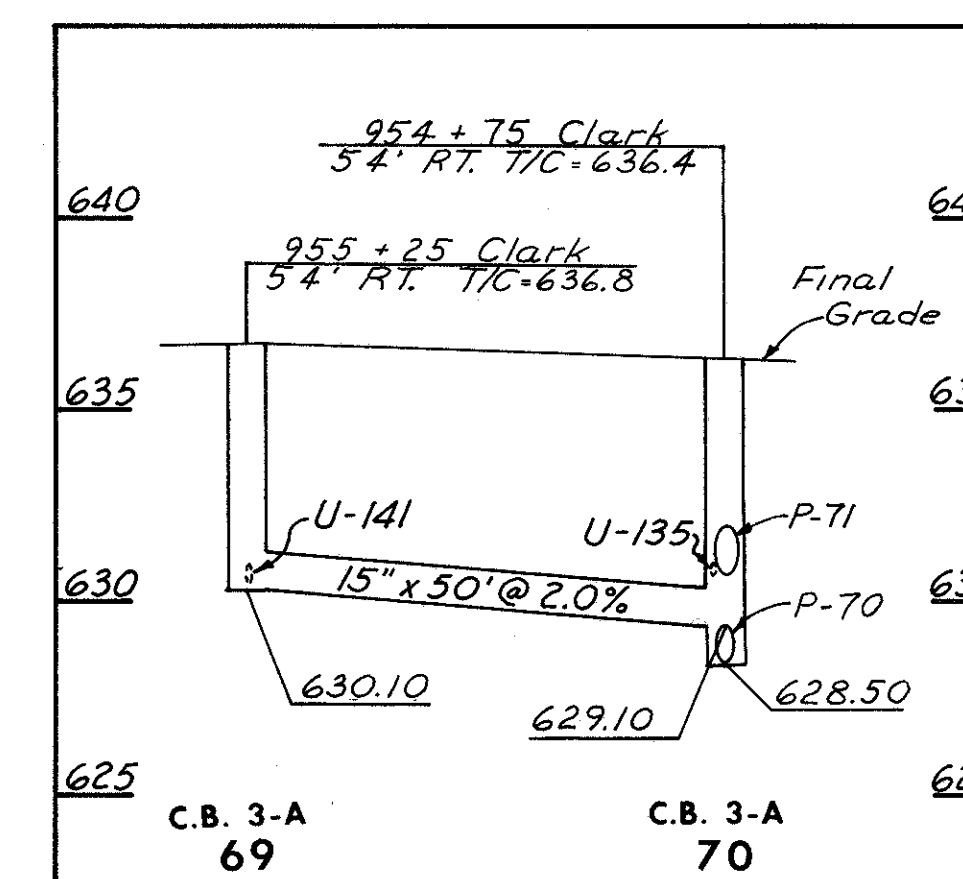
**P-65**  
CLASS B-1

**P-66**  
CLASS B-1



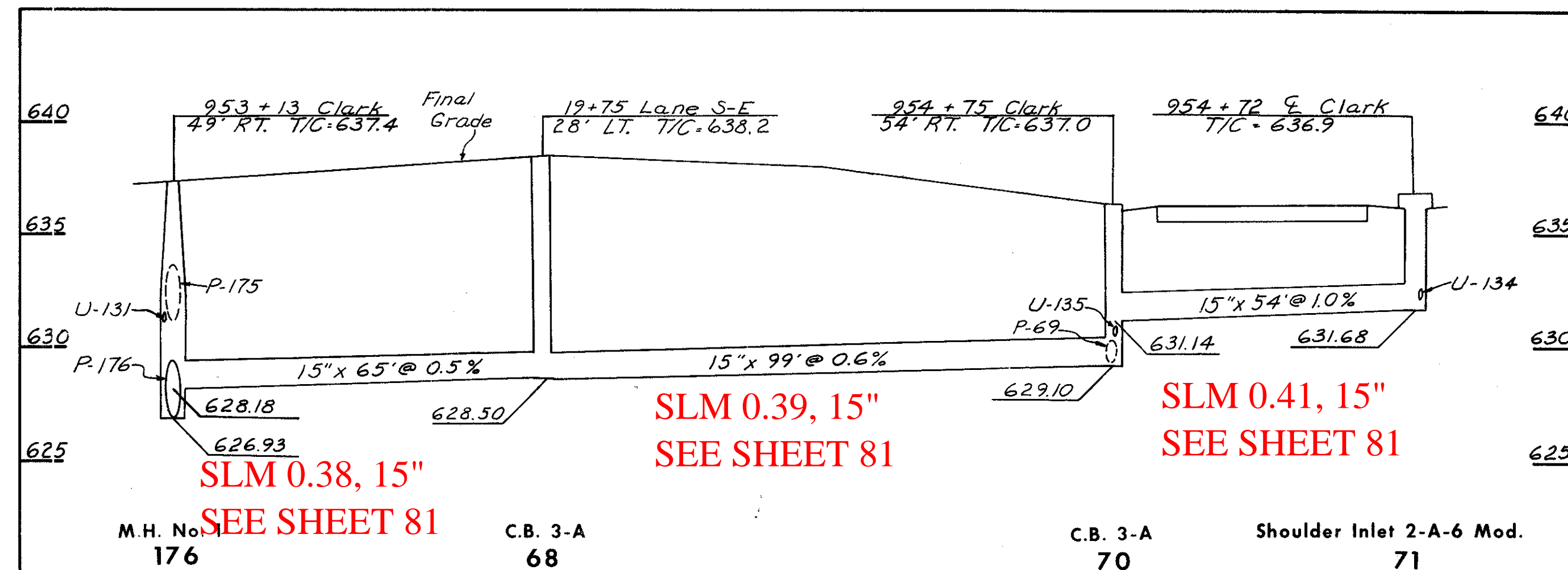
**P-63**  
CLASS B-1

**P-127**  
CLASS E-1



**P-69** SLM 0.41, 15"  
CLASS B-1 SEE SHEET 81

ESTIMATED QUANTITIES



**P-68**  
CLASS B-1

**P-70**  
CLASS B-1

**P-71**  
CLASS B-1

I-8 STRUCTURES							
CODE	LOCATION	Shoulder Inlet 2-6	Shoulder Inlet 2-A-6 Mod.	Shoulder Inlet 2-A-10	Shoulder Inlet 2-A-16	C.B. 3-A	M.H. No. 1
63	949+50 Clark E		1				
64	17+75 Lane S-E 10' Rt.				1		
65	951+50 Clark 64' Rt.						1
66	951+50 Clark 3' Lt.	1					
68	19+75 Lane S-E 28' Lt.					1	
69	955+25 Clark 54' Rt.					1	
70	954+75 Clark 54' Rt.					1	
71	954+72 Clark E		1				
127	950+00 Clark 54' Lt.			1			
CUY-71-18.54 TOTALS		1	2	1	1	3	1

CODE	ROADWAY	INLET CODE		I-1 PIPE		
		FROM	TO	CLASS B-1	CLASS E-1	
				15"	15"	
P-63	Clark Freeway	63	127	78'		
P-64	LANE S-E	64	65	56'		
P-65	Clark Freeway	65	66	64'		
P-66	Clark Freeway	66	128	54'		
P-68	LANE S-E	68	176	65'		
P-69	Clark Freeway	69	70	50'		
P-70	Clark Freeway	70	68	99'		
P-71	Clark Freeway	71	70	54'		
P-127	Clark Freeway	127	178		46'	
CUY-71-18.54 TOTALS					520'	46'

P-63 thru P-66,  
P-68 thru P-71,  
P-127  
SEWER PROFILES