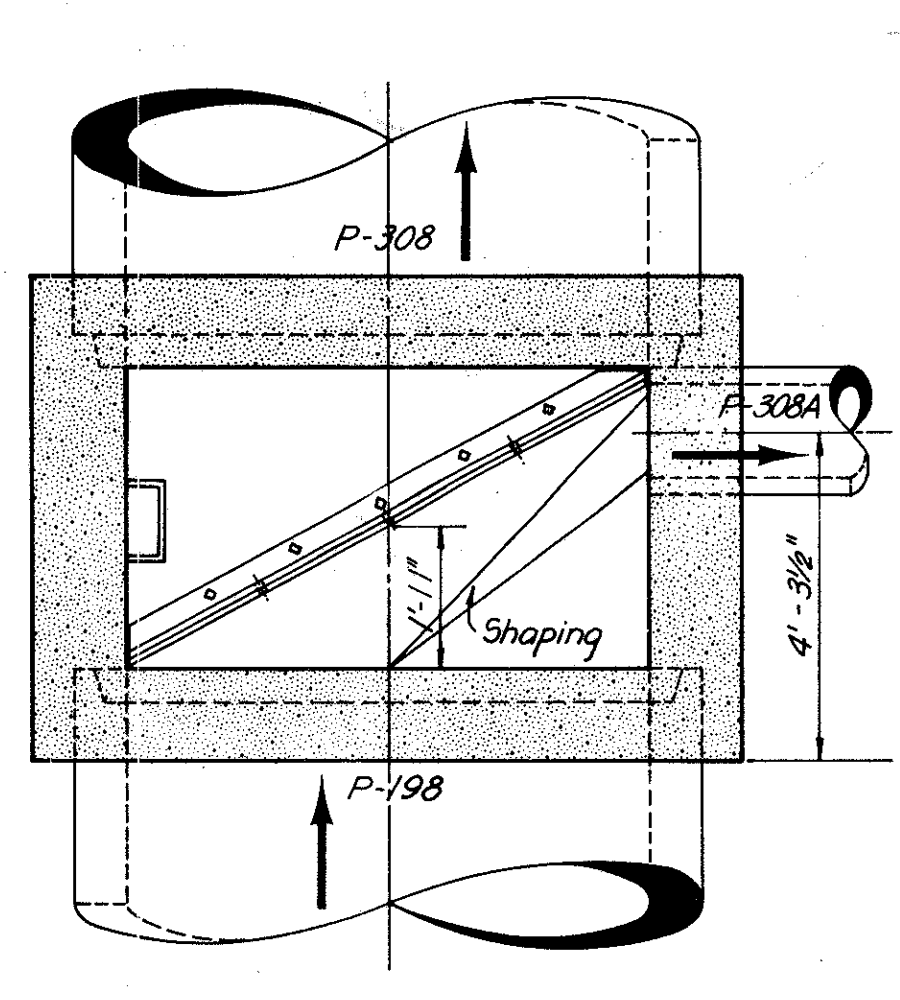
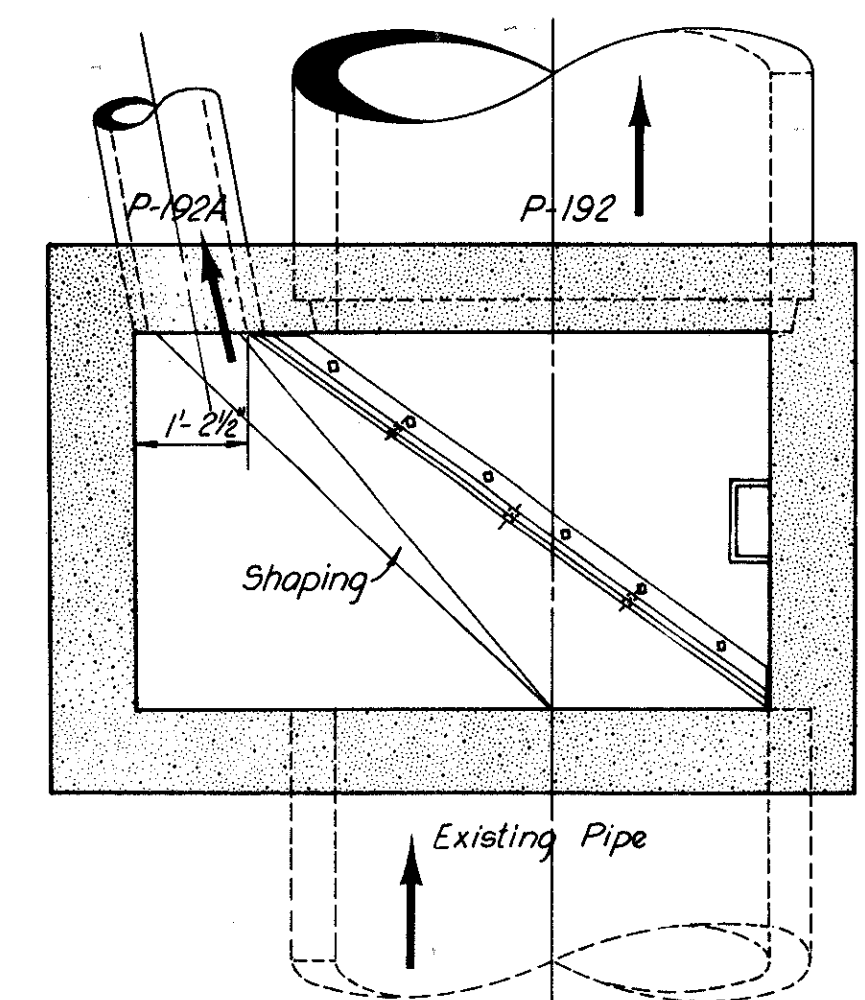


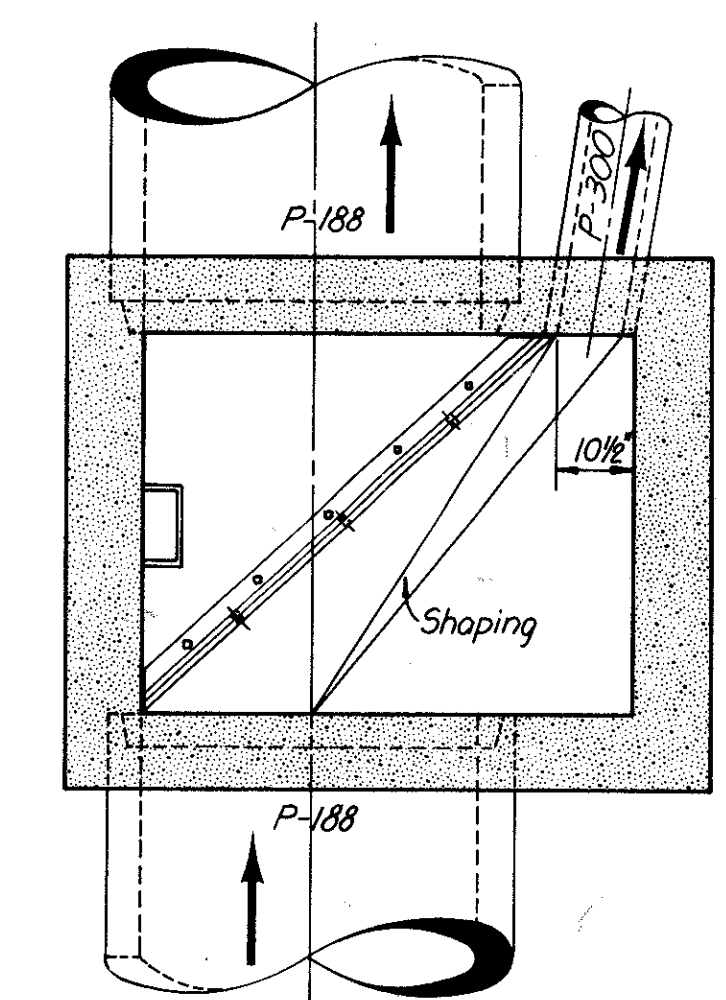
**CUYAHOGA COUNTY
CITY OF CLEVELAND
MEDINA-CLARK INTERCHANGE
CUY-71-18.54
CUY-90-13.81**



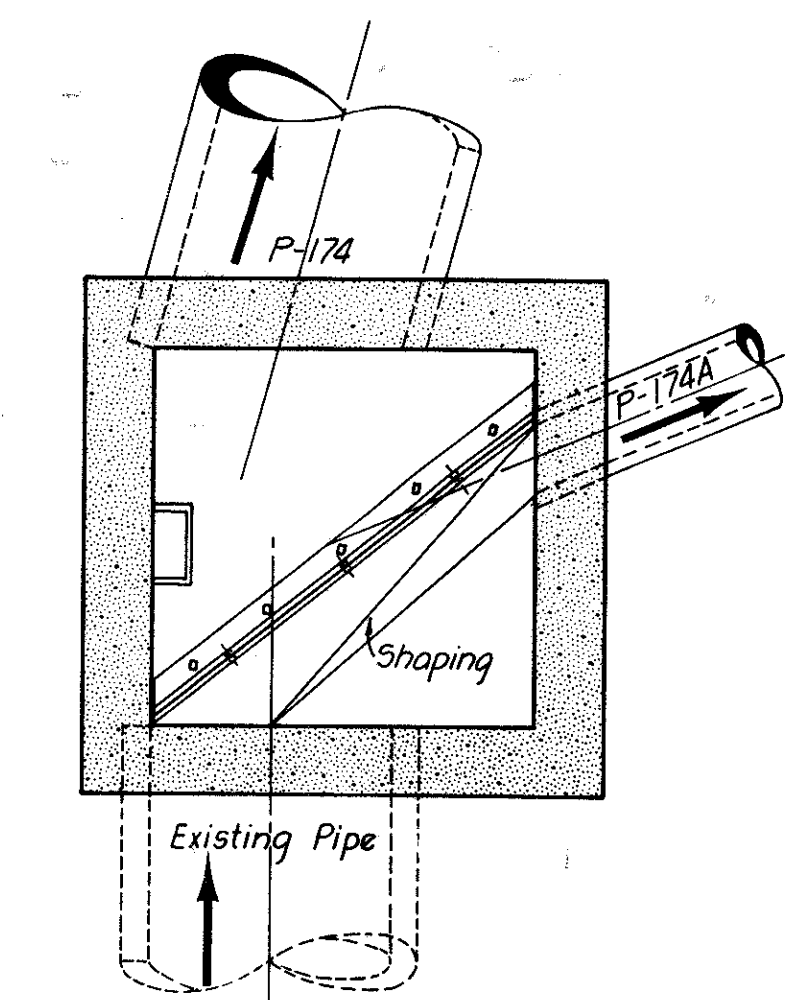
**SEPARATION CHAMBER NO. 308
WEST 25th STREET**



**SEPARATION CHAMBER NO. 192
SCRANTON ROAD**



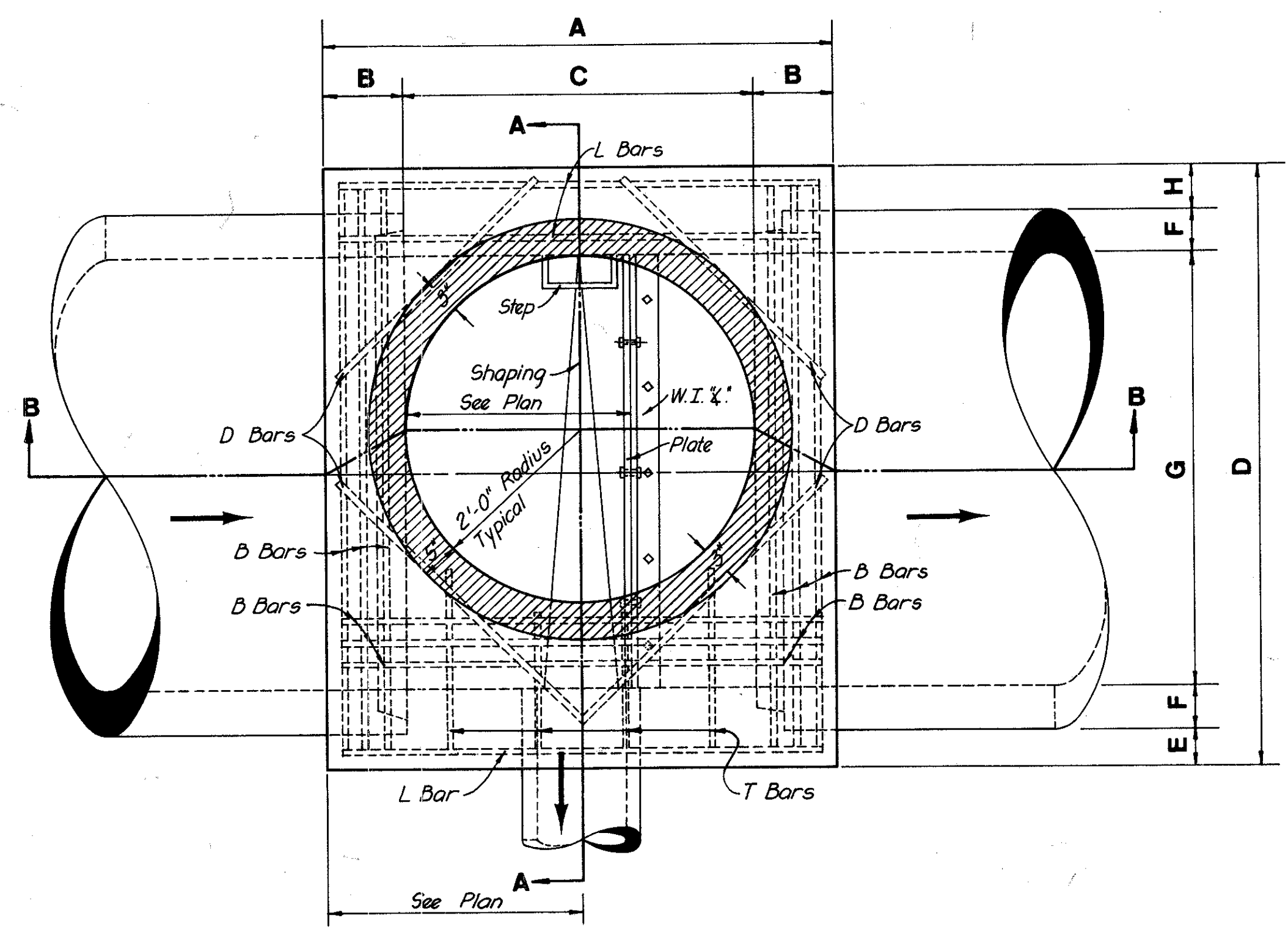
**SEPARATION CHAMBER NO. 300
WEST 14th STREET**



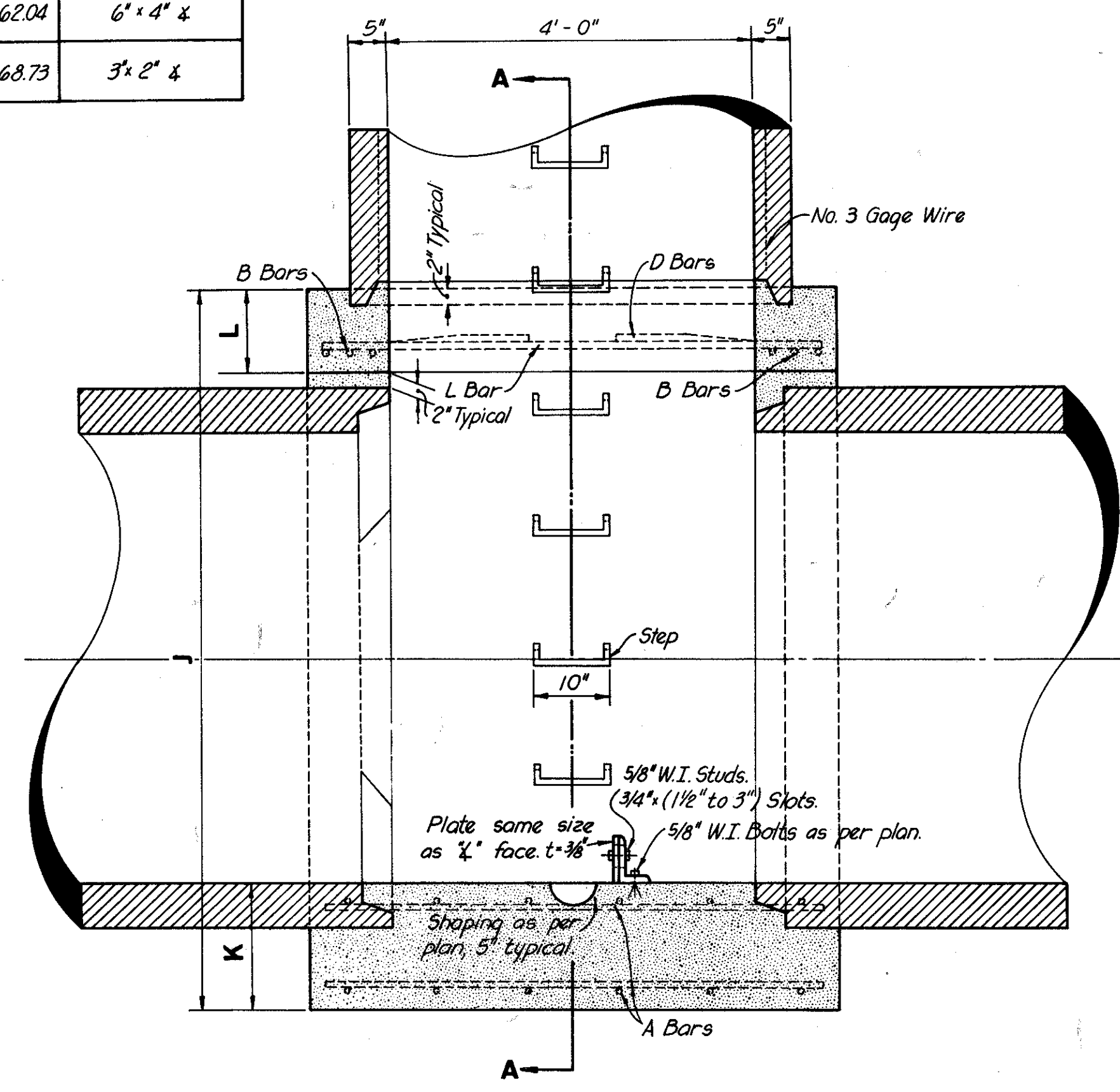
**SEPARATION CHAMBER NO. 174
WEST 12th STREET**

*Note: Reinforcing bars and other details not shown hereon will be as per Standard No. 1-A Manhole.
Payment for Steel I2's and Angles shall be included in price bid for Item I-B Separation Chamber, as per plan.*

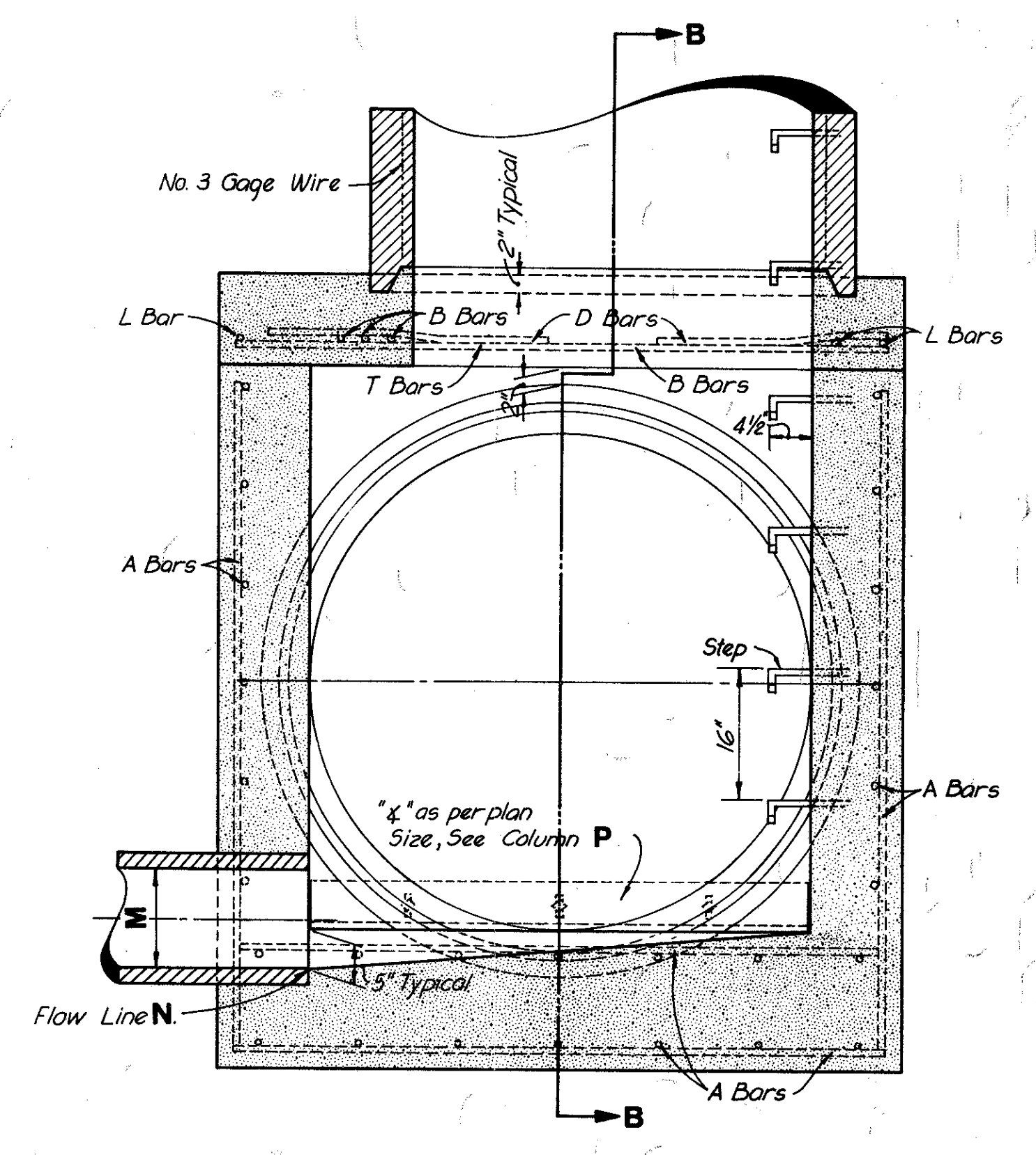
STRUCTURE	A	B	C	D	E	F	G	H	J	K	L	M	N	P
SEPARATION CHAMBER NO. 308	5'-11"	0'-11 1/2"	4'-0"	7'-5"	0'-5"	0'-6 1/2"	5'-6"	0'-5"	8'-7 1/2"	1'-5 1/2"	0'-11 1/2"	1'-0"	659.17	6" x 4" x Adjust to 7"
SEPARATION CHAMBER NO. 192	5'-9"	0'-10 1/2"	4'-0"	8'-4"	2'-6"	0'-5 1/2"	4'-6"	0'-5"	7'-4 1/2"	1'-4 1/2"	0'-10 1/2"	1'-0"	660.94	6" x 4" x Adjust to 12"
SEPARATION CHAMBER NO. 300	5'-7"	0'-9 1/2"	4'-0"	6'-9"	2'-1"	0'-4 1/2"	3'-6"	0'-5"	6'-1 1/2"	1'-3 1/2"	0'-9 1/2"	0'-8"	662.04	6" x 4" x
SEPARATION CHAMBER NO. 174	5'-5"	0'-8 1/2"	4'-0"	5'-5"	—	0'-3 1/2"	2'-6"	—	5'-4"	1'-2 1/2"	0'-8 1/2"	0'-8"	668.73	3" x 2" x



TYPICAL PLAN



SECTION B-B



SECTION A-A