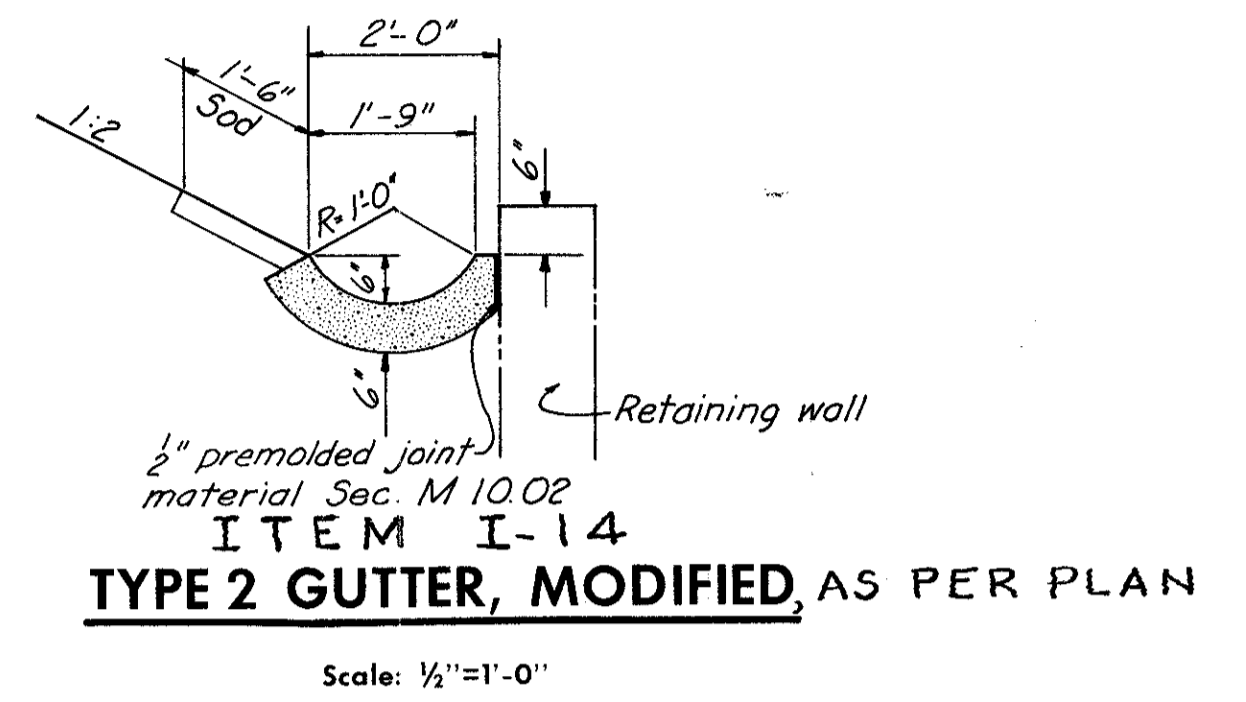
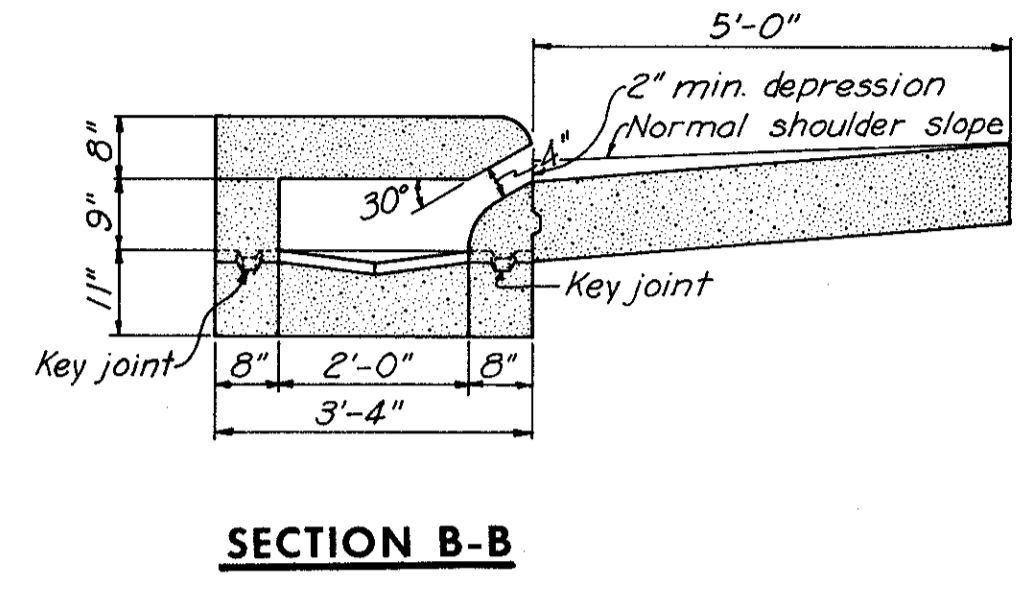
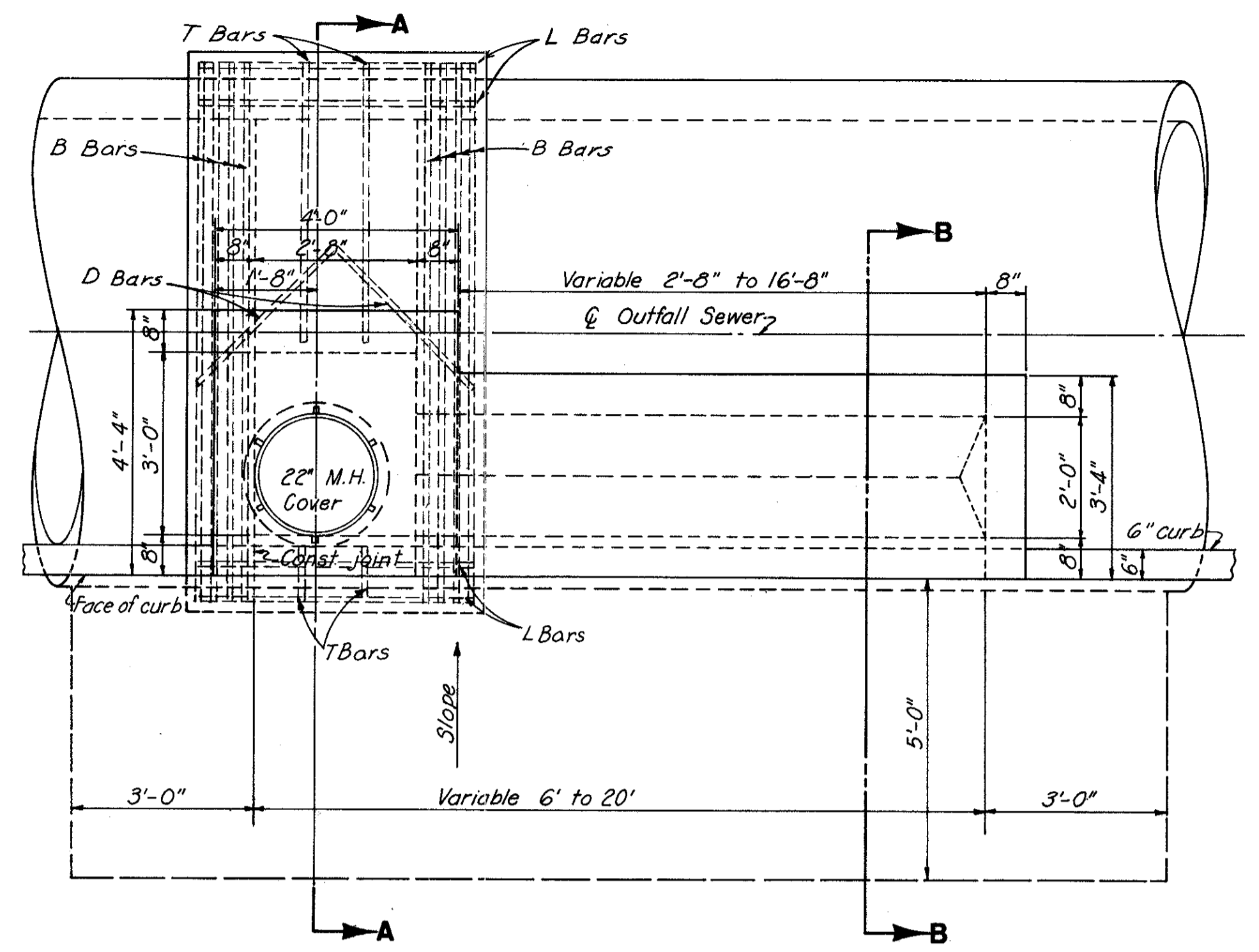
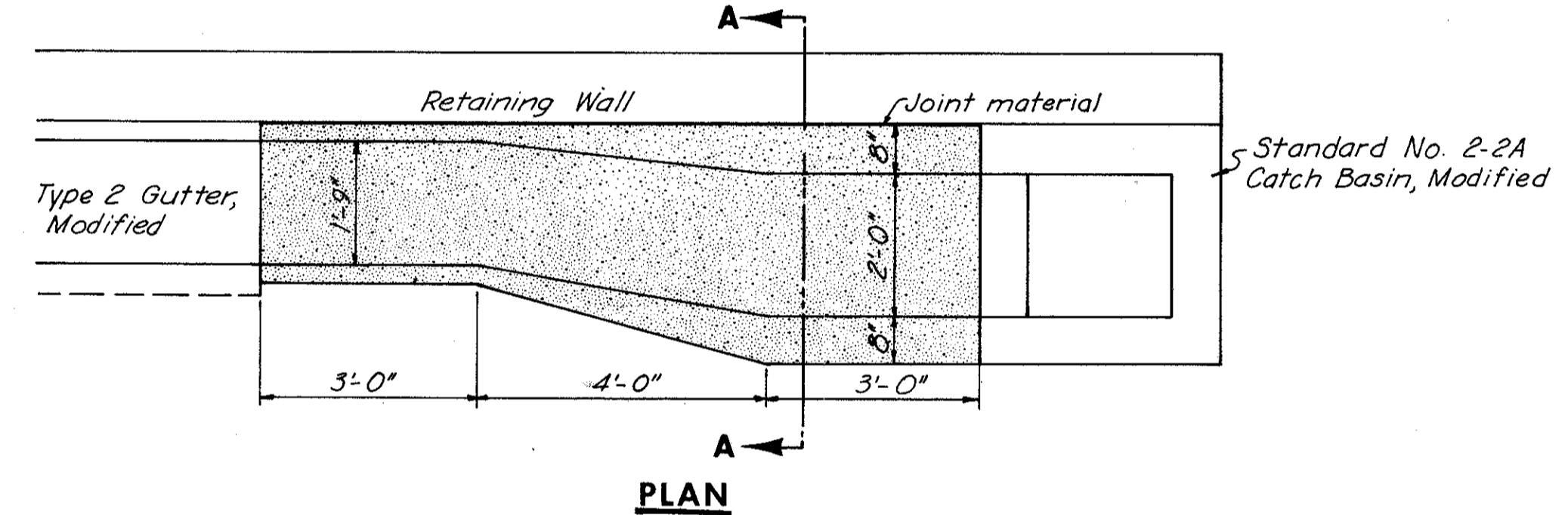
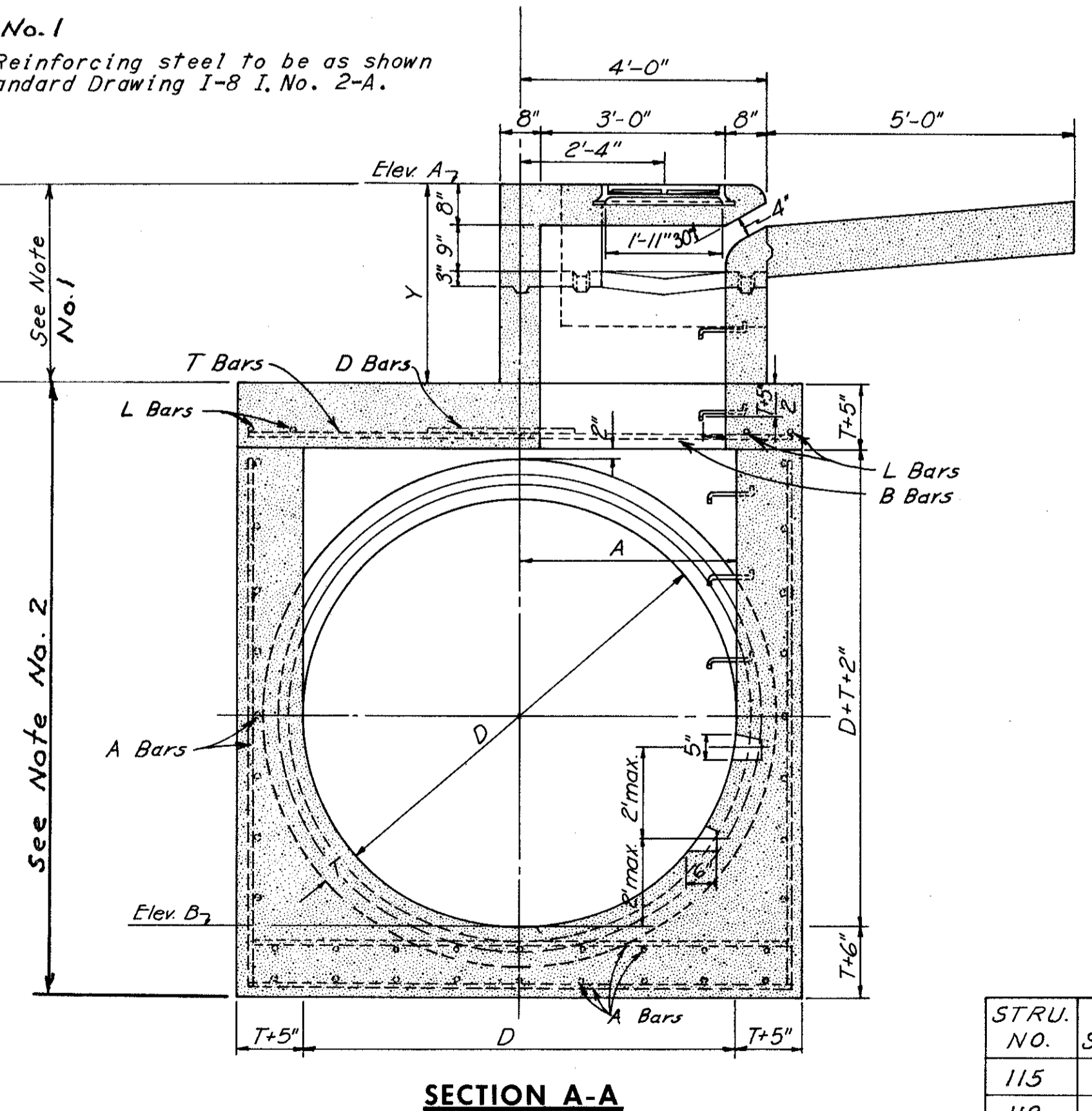
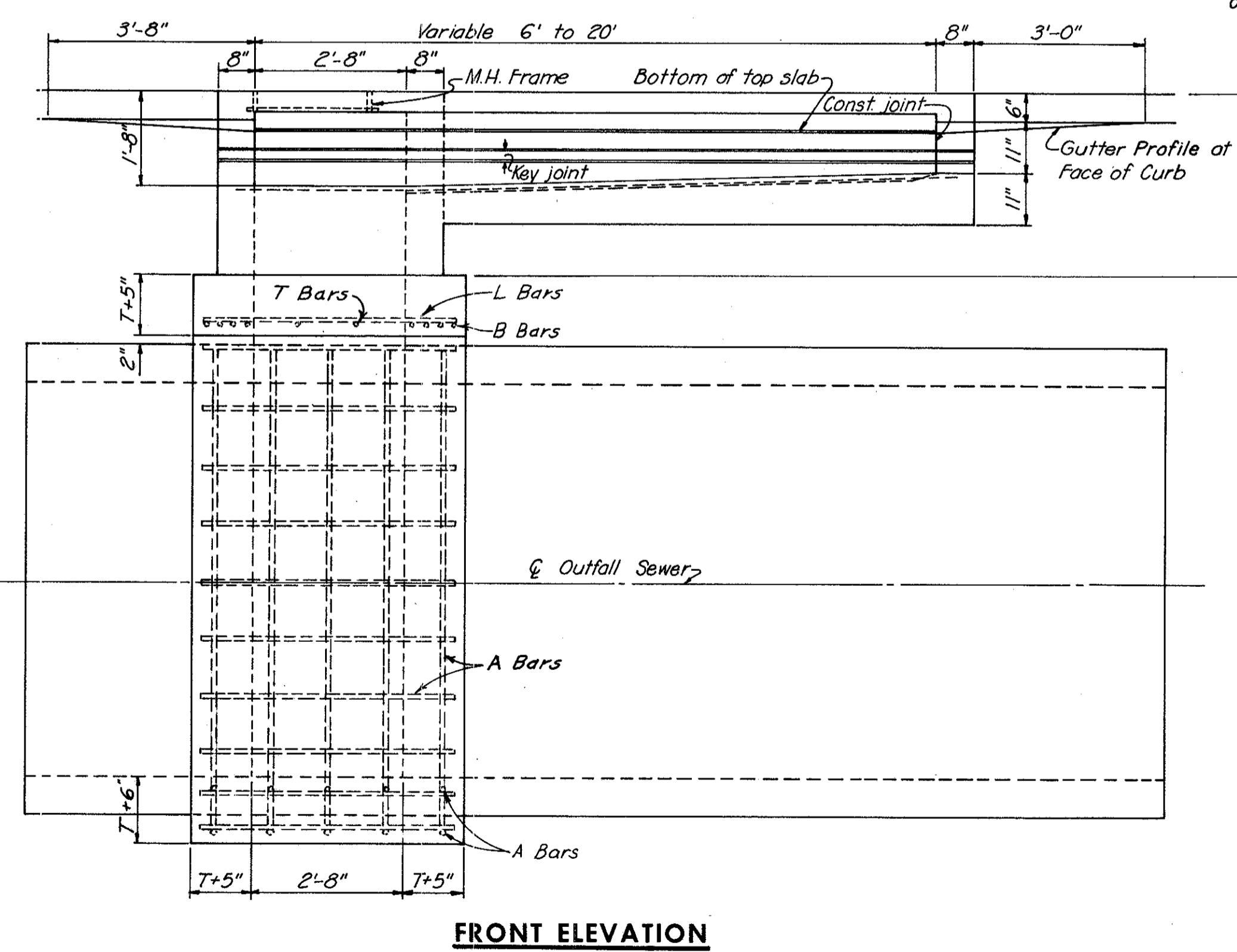


CUYAHOGA COUNTY
CITY OF CLEVELAND
MEDINA-CLARK INTERCHANGE
CUY- 71-18.54
CUY- 90-13.81



Note: No. 1
 Reinforcing steel to be as shown on Standard Drawing I-8 I, No. 2-A.



SECTION A-A
ITEM I-14 TYPE I PAVED GUTTER, MODIFIED, AS PER PLAN
GUTTER TRANSITION

Scale: 1/2"=1'-0"

DIMENSION TABLE

STRU. NO.	PIPE SIZE "D"	A	T	T+5	T+6	D+T+2	ELEV. A	ELEV. B	Y
115	33"	16 1/2"	3 3/4"	8 3/4"	9 3/4"	38 3/4"	652.01	645.53	2.52
119	66"	33"	6 1/2"	11 1/2"	12 1/2"	74 1/2"	641.90	631.58	3.15
121	84"	42"	8"	13"	14"	94"	632.13	620.15	3.06
122	84"	42"	8"	13"	14"	94"	630.52	619.32	2.28
123	90"	45"	8 1/2"	13 1/2"	14 1/2"	100 1/2"	630.17	617.13	3.54
124	90"	45"	8 1/2"	13 1/2"	14 1/2"	100 1/2"	630.41	616.87	4.04
125	90"	45"	8 1/2"	13 1/2"	14 1/2"	100 1/2"	632.04	615.73	6.81

Note: No. 2
 Reinforcing bars and other details not shown hereon will be as per Standard No. 1-A Manhole.

SCALE: As Shown
 HOWARD, NEEDLES, TAMMEN & BERGENDOFF
 MADE NAK DATE: 0-20-64 CONSULTING ENGINEERS
 TRCD: NAK DATE: 0-20-64
 CKD: CTS DATE: 10-26-64 KANSAS CITY CLEVELAND NEW YORK

INLET MANHOLE NO. 2-A
 Scale: 1/2"=1'-0"