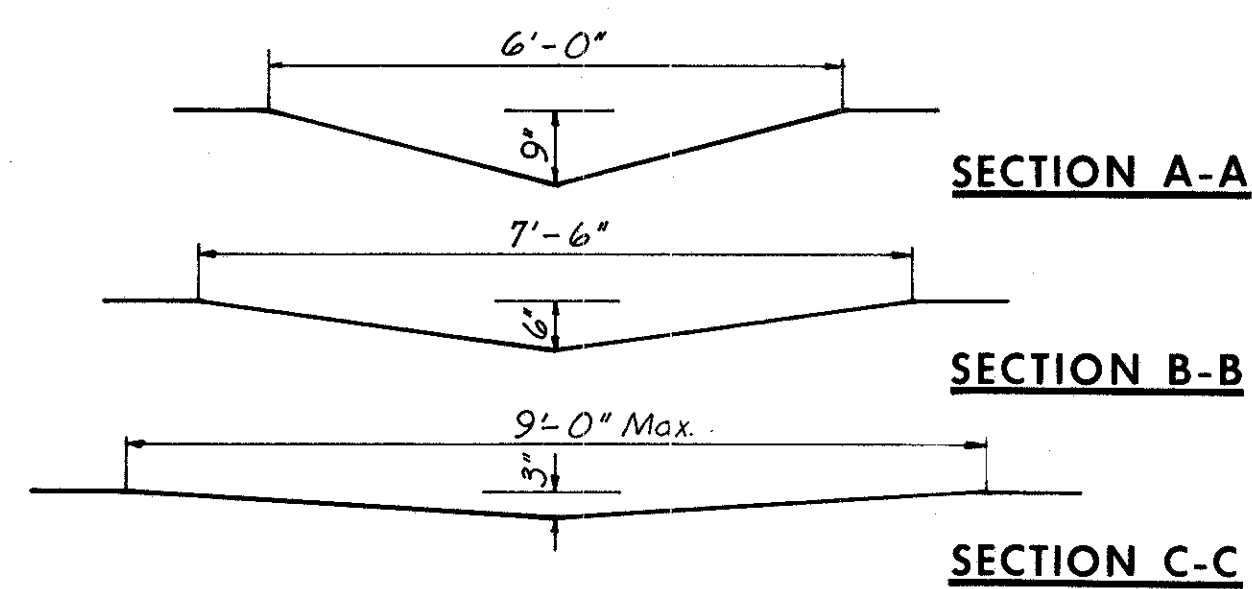


FED. RD. DIVISION	STATE	PROJECT
2	OHIO	

116
478

CUYAHOGA COUNTY
CITY OF CLEVELAND
MEDINA-CLARK INTERCHANGE
CUY- 71-18.54
CUY- 90-13.81



NOTE:

PRIOR TO REPLACEMENT OF SOD IN THE BERM AND SLOPE, GALVANIZED POULTRY FENCE SHALL BE PLACED ON THE FINISHED GRADE IN STRANDS WHICH SHALL BE AT RIGHT ANGLES TO THE DIRECTIONS OF FLOW. EACH STRAND SHALL BE STAKED SECURELY ON TOP AND BOTTOM WITH STAKES PLACED AT FOUR FOOT INTERVALS AND ALTERNATED IN ROWS FOUR FEET APART.

STAKES SHALL BE 1"x1"x8" WOOD STAKED AND SHALL BE PERPENDICULAR TO THE GROUND AND FLUSH WITH THE FINISHED GRADE.

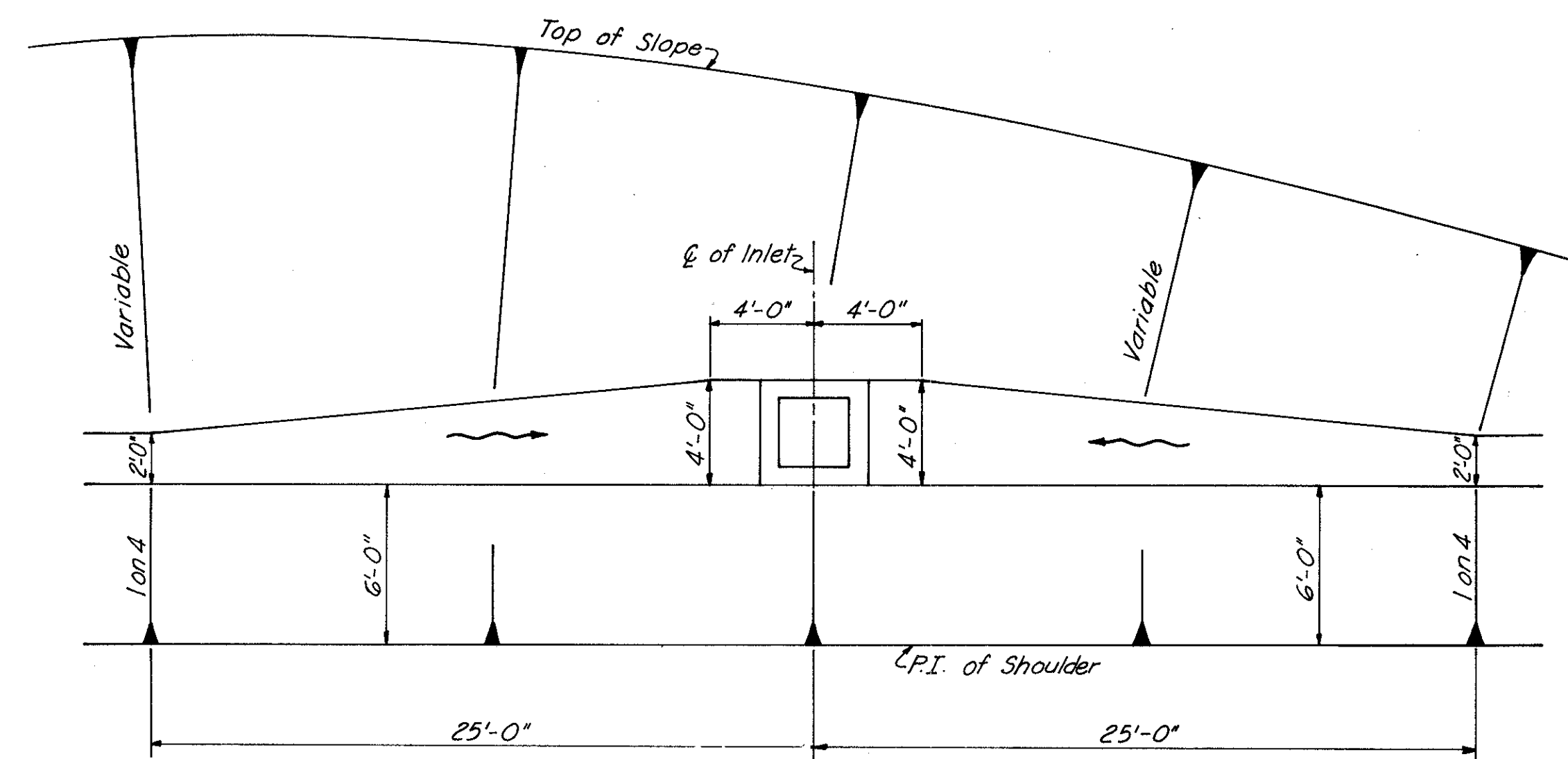
THE FENCE SHALL BE STRAIGHT LINE POULTRY FENCE OR EQUIVALENT WITH STRAND WIDTH OF FOUR FEET HAVING A TWO INCH MESH AND ALL WIRES NO. 20 GAUGE.

THE STRANDS OF FENCING SHALL BE FASTENED TOGETHER AT TWELVE INCH INTERVALS BY MEANS OF HOG RINGS.

THE FENCE SHALL BE SECURED TO THE WOOD STAKES BY METAL STAPLES.

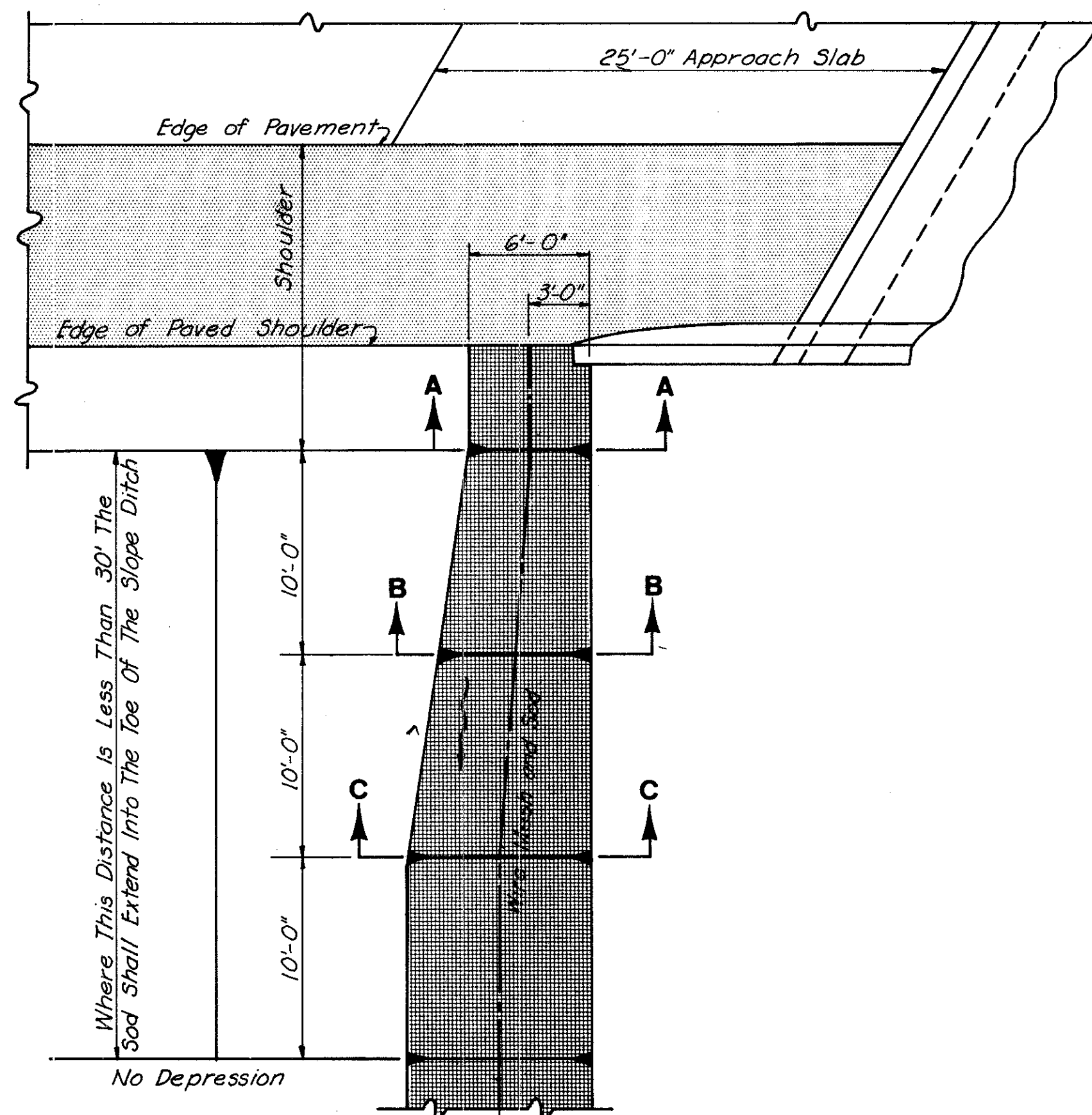
SOD SHALL BE LAID IN ACCORDANCE WITH THE CONSTRUCTION AND MATERIALS SPECIFICATIONS SECTION L-1007.

PAYMENT FOR ALL THE ABOVE SHALL BE INCLUDED IN THE UNIT PRICE BID FOR "ITEM L-10 SODDING FOR SPECIAL BERM AND SLOPE PROTECTION".



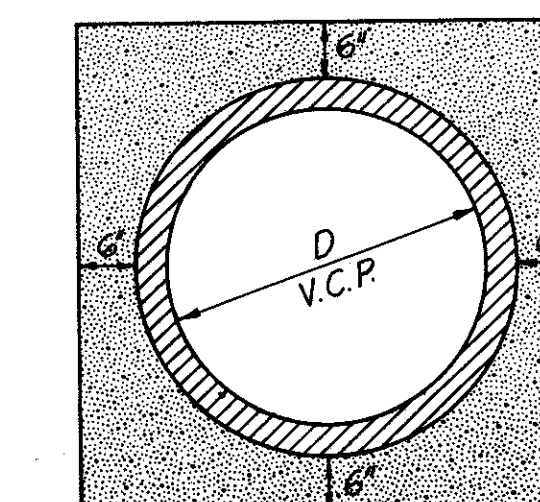
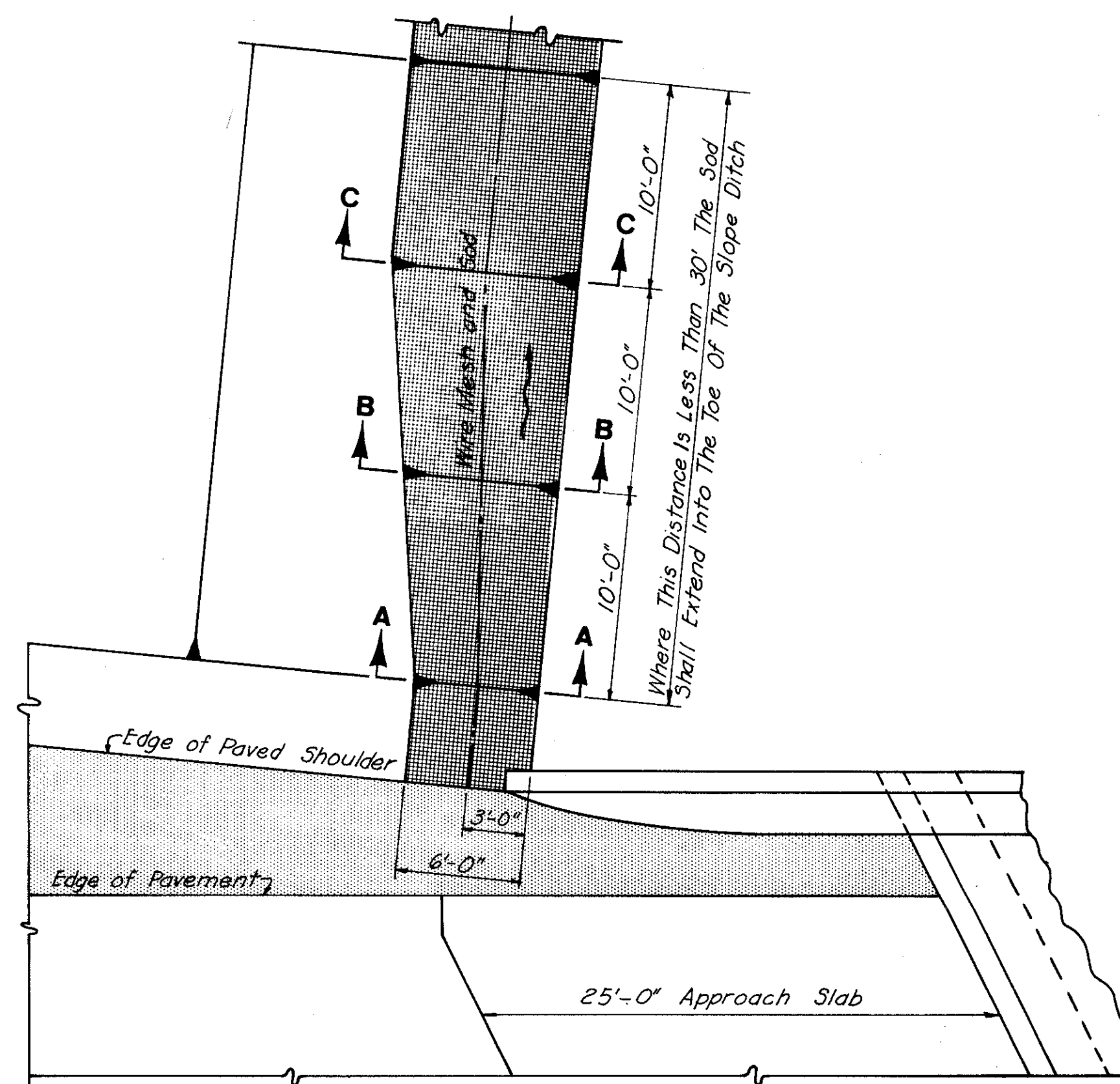
TRANSITION TO DITCH INLET

No Scale



SOD GUTTER

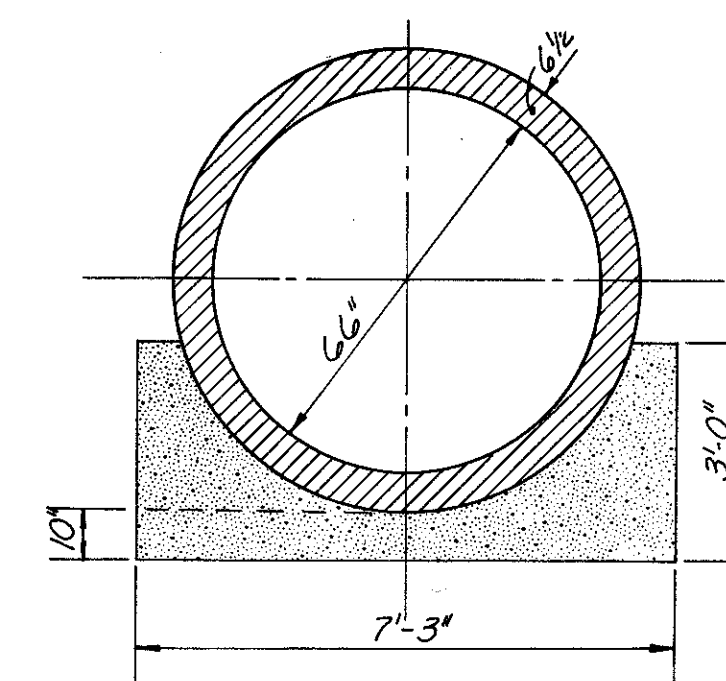
No Scale



PIPE ENCASMENT DETAIL

PIPE SIZE	QUANTITIES
8"	0.099 cu. yds. conc./ft.
12"	0.132 cu. yds. conc./ft.
15"	0.159 cu. yds. conc./ft.

CLASS "E" CONCRETE



PIPE CRADLE DETAIL

No Scale

QUANTITY	1-2 MASONRY
20' x 0.449 yds./ft.	= 8.98 yds. ³ /con

CLASS "C" CONCRETE

SCALE None
MADE NAK DATE 10-20-64
TRCD NAK DATE 10-20-64
CKD CTS DATE 10-26-64

HOWARD, NEEDLES, TAMMEN & BERGENDOFF
CONSULTING ENGINEERS
KANSAS CITY CLEVELAND NEW YORK