



Date: _____ Type: _____
 Firm Name: _____ **FIXTURE TYPE 'A'** _____
FACIA GIRDER WASH _____
 Project: _____

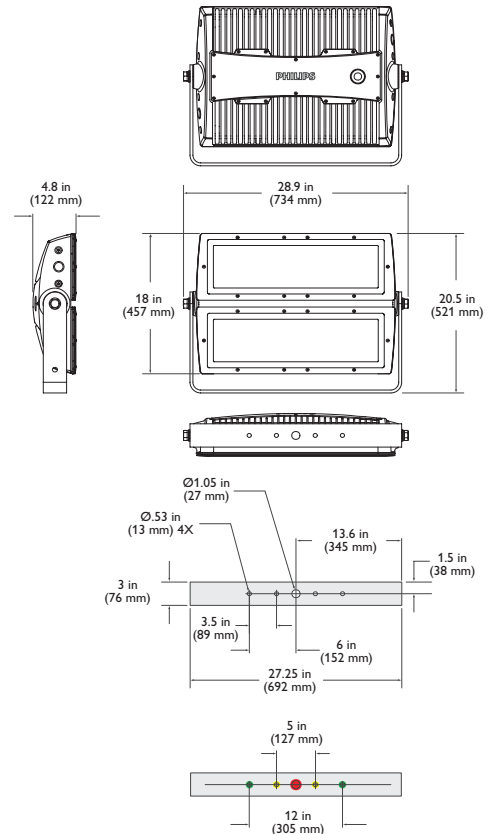
iW Reach Powercore

5° x 17° asymmetric spread lens

Premium long-throw exterior LED floodlight with intelligent white light

iW Reach Powercore, the intelligent white light version of our flagship, high-performance exterior architectural floodlight, outputs washes of white light in color temperatures ranging from a warm 2700 K to a cool 6500 K. Combines all the benefits of LED-based lighting in an elegant fixture specifically designed for commercial skyscrapers, casinos, large retail exteriors, bridges, piers, public monuments, and themed attractions. With significantly more lumen output than any other competitive fixture and unprecedented light projection, this powerful fixture represents the next generation in exterior illumination.

- Integrates Powercore technology — Powercore technology rapidly, efficiently, and accurately controls power output to fixtures directly from line voltage. The Philips Color Kinetics Data Enabler Pro merges line voltage with control data and delivers them over a single standard wire, dramatically simplifying installation and lowering total system cost.
- Unparalleled light output — Outputs up to 10,950 lumens and projects light up to 815 ft (248.4 m).
- Wide range of color temperature and brightness — Channels of warm white and cool white LEDs produce color temperatures ranging from 2700 K – 6500 K. Fixture brightness can be adjusted while varying or maintaining constant color temperature.
- Versatile optics — Exchangeable spread lenses of 8°, 13°, 23°, 40°, 63°, and an asymmetric 5° x 17° support a multitude of applications, including spotlighting, wall grazing, and asymmetric wall washing.
- Unique split design — Spread lenses fit over each fixture half to support diffuser combinations. Use one spread lens on the lower half to bathe a large façade with light at street level, and a different lens to project light hundreds of feet up the building's walls.
- Simple fixture positioning — Rugged, slim-profile mounting bracket allows simple



positioning and fixture rotation through a full 360°. Side locking bolts reliably secure fixture with standard wrench.

- Universal power input range — Accepts a universal power input range of 100 – 240 VAC, allowing long fixture runs and consistent installation in any location around the world. Each Data Enabler Pro can support multiple fixtures for illuminating even the largest exterior façades and structures.

For detailed product information, please refer to the iW Reach Powercore Product Guide at www.philipscolorkinetics.com/ls/intelliwhite/iwreach/



Specifications

Due to continuous improvements and innovations, specifications may change without notice.

Item	Specification	Details
	Color Temperature*	2700 K – 6500 K
	Lumens†	4,969
	Efficacy (lm / W)	39.7
	CRI	68.5 (without spread lens, full unit)
	Mixing Distance	50 ft (15.2 m) to uniform light
	Lumen Maintenance‡	90,000 hours L50 @ 25° C 68,000 hours L50 @ 50° C
	Electrical	Input Voltage
Power Consumption		250 W maximum at full output, steady state
Power Factor		.994 (without spread lens, full unit) @ 120 VAC
Control	Interface	Data Enabler Pro (DMX / Ethernet) Fixture firmware addressable 8- or 16-bit control
	Control System	Philips full range of controllers, including Light System Manager, iPlayer 3, and ColorDial Pro, or third-party controllers
Physical	Dimensions (Height x Width x Depth)	20.5 x 28.9 x 4.8 in (521 x 734 x 122 mm)
	Weight	75 lb (34 kg)
	Effective Projected Area	0.42 m ²
	Housing	Die-cast aluminium, powder-coated finish
	Lens	Tempered glass
	Fixture Connections	Integral male / female waterproof connector, 6 ft (1.8 m) unified power / data cable
	Temperature Ranges	-40° – 122° F (-40° – 50° C) Operating -4° – 122° F (-20° – 50° C) Startup -40° – 176° F (-40° – 80° C) Storage
Certification and Safety	Certification	UL / cUL, FCC Class A, CE, CQC
	Environment	Dry / Damp / Wet Location, IP66
	Humidity	0 – 95%, non-condensing
Fixture Run Lengths	To calculate fixture run lengths and total power consumption for your specific installation, download the Configuration Calculator from www.philipscolorkinetics.com/support/install_tool/	

* Color temperatures conform to nominal CCTs as defined in ANSI Chromaticity Standard C78.

† Lumen measurement complies with IES LM-79-08 testing procedures.

‡ L50 = 50% lumen maintenance (when light output drops below 50% of initial output). Ambient luminaire temperatures specified. Lumen maintenance calculations are based on lifetime prediction graphs supplied by LED source manufacturers. Calculations for white-light LED fixtures are based on measurements that comply with IES LM-80-08 testing procedures. Refer to www.philipscolorkinetics.com/support/appnotes/lm-80-08.pdf for more information.



Fixtures and Accessories

Item	Type	Item Number	Philips 12NC
iW Reach Powercore <i>Includes 6 ft (1.8 m) leader cable</i>	UL / cUL and CE / PSE	523-000045-00	910503700625
Replacement Leader Cable 6 ft (1.8 m)	UL / cUL	108-000043-02	910503700453
	CE / PSE	108-000043-03	910503700454
iW Reach Powercore Spread Lens with bezel	13°	120-000068-00	910503700506
	23°	120-000068-01	910503700507
	40°	120-000068-02	910503700508
	63°	120-000068-03	910503700509
	5° x 17°	120-000068-04	910503700510
Data Enabler Pro	3/4 in / 1/2 in NPT (U.S. trade size conduit)	106-000004-00	910503701210
	PG21 / PG13 (metric size conduit)	106-000004-01	910503701211

Use Item Number when ordering in North America.

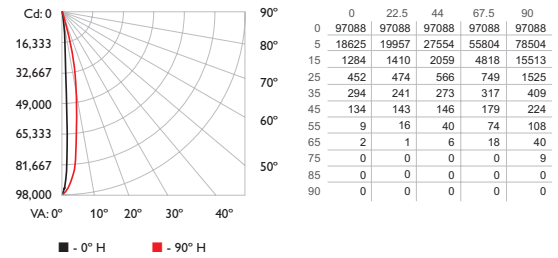


Philips Color Kinetics
3 Burlington Woods Drive
Burlington, Massachusetts 01803 USA
Tel 888.385.5742
Tel 617.423.9999
Fax 617.423.9998
www.philipscolorkinetics.com

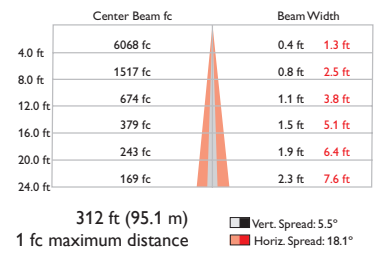
Photometrics

5° x 17° asymmetric spread lens, half unit

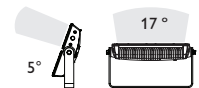
Polar Candela Distribution



Illuminance at Distance



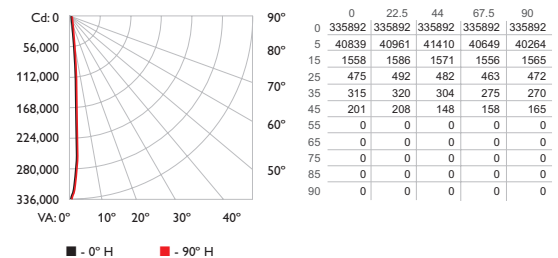
Lumens	4,969
Efficacy	39.7 lm / W



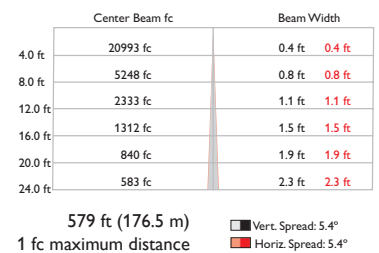
For lux multiply fc by 10.7

5° native (no spread lens), half unit

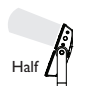
Polar Candela Distribution



Illuminance at Distance



Lumens	5,406
Efficacy	43.2 lm / W



Copyright © 2009 – 2012 Philips Solid-State Lighting Solutions, Inc. All rights reserved.
Chromacore, Chromasic, CK, the CK logo, Color Kinetics, the Color Kinetics logo, ColorBlast, ColorBlaze, ColorBurst, eW Fuse, ColorGraze, ColorPlay, ColorReach, iW Reach, eW Reach, DIMand, EssentialWhite, eV, iColor, iColor Cove, IntelliWhite, iW, iPlayer, Optibin, and Powercore are either registered trademarks or trademarks of Philips Solid-State Lighting Solutions, Inc. in the United States and / or other countries. All other brand or product names are trademarks or registered trademarks of their respective owners. Due to continuous improvements and innovations, specifications may change without notice.

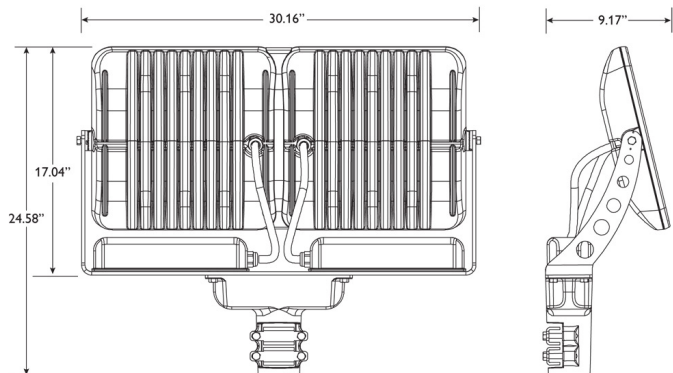
DAS-000030-07 R04 07-12

LEDGINE LED Flood Light (FX2) Specification Sheet

Project Name:	FIXTURE TYPE 'B' PIER SPOTLIGHTS NOT PROVIDED BY VINCENT LIGHTING	MFG: Philips Hadco
Fixture Type:		Qty:

Ordering Guide

Example: FX2 160 T A S W A 3 E D A S



Product Code	FX2	LEDGINE LED Flood Light
LED BOARDS	160	160 LED'S
	128	128 LED'S
Mounting	T	Tenon Mount (1.5" - 2.375" O.D.)
Finish	A	Black
	B	White
	H	Bronze
	I	Gray
	J	Green
Distribution	S	Spot
	N	Narrow
	M	Medium
	W	Wide
	H	Horizontal
	F	Forward Throw
Color Temperature	W	3000K
	N	4000K
	C	5700K
Voltage	A	120-277 VAC
	B	347-480 VAC
Drive Current	3	350 mA
	5	530 mA
Photo Control	E	120 VAC Button Eye
	H	208/240/277 VAC Button Eye
	K	347V Button Eye
	N	None
Dimming Control	DA	4 Hrs 25% Reduction
	DB	4 Hrs 50% Reduction
	DC	4 Hrs 75% Reduction
	DD	6 Hrs 25% Reduction
	DE	6 Hrs 50% Reduction
	DF	6 Hrs 75% Reduction
	DG	8 Hrs 25% Reduction
	DH	8 Hrs 50% Reduction
	DJ	8 Hrs 75% Reduction
	DZ	Custom Dimming Schedule
	N	None
Surge Suppression	S	Standard Built In <3kV
	A	Additional 10kV/10kA

*1 B Voltage not available with dimming.

*2 If using dimming in conjunction with a motion sensor consult factory

Specifications

APPLICATIONS:

This LED Flood Light has a sleek design with precision injection molded optics. Six different optic plates provide versatility for use in many outdoor lighting applications.

CONSTRUCTION:

The housing is constructed of low copper die-cast aluminum with a sleek contemporary design and low EPA. The housing is a unique thermal dissipating design with wide channels that allow for natural removal of dirt and debris. The six different precision designed, injection molded optic plates and three mounting options provide versatility for use in many outdoor lighting applications. The tempered glass lens is held in place with a low copper die cast aluminum lens frame and stainless steel hardware. The optics chamber is IP66 rated and uses an IP67 rated Anti-Wicking connector that is removable and flexible. The flood light is rotatable in 10 degree increments. 180 Degrees backward and 90 degrees forward.

MOUNTING:

The FX2 has one mounting option, Tenon Mount. The tenon mount option includes a cast aluminum adaptor, cast from low-copper aluminum allow for mounting to a 1.5" to 2.375" O.D. vertical tenon. The FX2 utilizes a dual clamp mounting system made from HSLA steel that is zinc plated to protect against corrosion. The FX2 is field rotatable by 10 degree increments (180 degrees backward and 90 degrees forward) on a yoke which is formed from a 1/4" thick, laser-cut aluminum sheet.

LEDGINE LED Flood Light (FX2) Specification Sheet

Project Name:	Location:	MFG: Philips Hadco
Fixture Type:	Catalog No.:	Qty:

LED SPECIFICATIONS:

Refer to IES files for energy consumption and delivered lumens for each option. Based on in-situ thermal testing and data from Philips Lumileds and Philips Advance, expected to reach 80,000 hours with >L70 lumen maintenance @ 25°C. The Philips LEDGINE uses Philips Lumileds Rebel LEDs. Color temperatures available are ANSI Bins 3000K, 4000K, and 5700K CCT. Multiple distributions are available including Spot, Narrow, Medium, Wide, Horizontal and Forward Throw. 128 and 160 LED board options are available.

ELECTRONIC DRIVER:

Integral Philips Lighting Electronics Advance XITANIUM LED drivers. Standard drivers provide universal voltage from 120-277VAC, 50-60Hz. All XITANIUM LED drivers are RoHS compliant. The LED drivers have <3kV surge suppression built in, 10kV is an additional option (see Ordering Guide). IP66 rated. Multiple drive currents are available see ordering guide for options.

FINISH:

Thermoset polyester powdercoat is electrostatically applied after a five-stage conversion cleaning process and bonded by heat fusion thermosetting. Laboratory tested for superior weatherability and fade resistance in accordance with ASTM B117 specifications. Powdercoat is 3.0 - 6.0 mil thickness. Textured finish

OPTIONS:

Optional integral surge suppression device tested in accordance with ANSI/IEEE C62.45 per ANSI/IEEE C62.41.2 Scenario I Category C High Exposure 10kV/10kA waveforms for Line-Ground, Line-Neutral and Neutral-Ground. Enclosure for surge suppression device is constructed of high temperature, flameproof material with an 85°C maximum surface temperature rating. The device consists of a thermally protected transient overvoltage circuit and is designed for use with universal voltage ballasts and drivers. Custom 0-10V dimming schedule (DZ) is available by contacting the factory. As an alternative, Wireless Controls options are also available - contact the factory for details.

IP RATING:

The LED driver is IP66 rated. The LED optics chamber is IP66 rated.

CERTIFICATIONS:

Vibration tested to ANSI C136.31 for Normal Applications. UL8750 and UL1598 compliant. ETL listed to U.S. safety standards for wet locations. cETL listed to Canadian safety standards for wet locations. Manufactured to ISO 9001:2008 Standards. Luminaire photometric testing performed in accordance with IESNA LM-79 guidelines. Photometric .ies files that include "LM79" in the file name are verified by an independent NVLAP accredited lab. LEDs tested by an ISO 17025-2005 accredited lab in accordance with IESNA LM-80 guidelines in compliance with EPA ENERGY STAR, extrapolations in accordance with IESNA TM-21.

WARRANTY:

5 year extended warranty

AWARDS & RECOGNITIONS:

Buy American and ARRA Compliant - commercially available off-the-shelf (COTS) product proudly designed and Made in the U.S.A.

ACCESSORIES:

There are several accessories available. Twin, Triple and Quad Mount Bull Horns, and Wall Mount. Glare Shield and Vandal Shield. See Attached spec sheets for details.

Width:

9.17"

Height :

24.58"

Length:

30.36"

EPA:

2.9 sq ft

Max. Weight:

45 lbs

IESNA Classifications:

See IES Files



Date: _____ Type: _____
 Firm Name: _____ **FIXTURE TYPE 'C'** _____
 Project: _____ **INTERIOR GIRDER WASH** _____

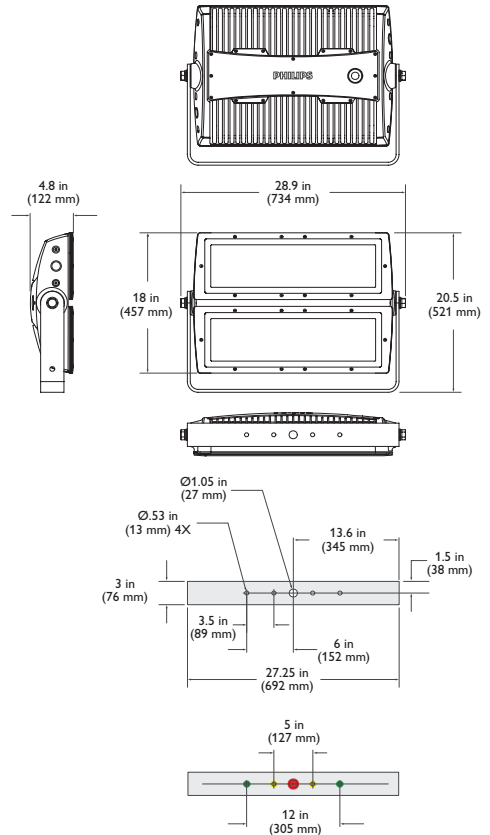
ColorReach Powercore gen2

5° native (no spread lens)

Premium long-throw exterior LED floodlight with intelligent color light

ColorReach Powercore gen2 combines all the benefits of LED-based lighting and control in an elegant fixture specifically designed for large-scale installations, such as commercial skyscrapers, casinos, bridges, piers, public monuments, and themed attractions. Custom configurations with custom channels of white or color LED sources are also available to support special applications.

- Integrates Powercore technology — Powercore technology rapidly, efficiently, and accurately controls power output fixtures directly from line voltage. Philips Data Enabler Pro merges line voltage and control data and delivers them to fixtures over a single standard cable, dramatically simplifying installation and lowering total system cost.
- Unparalleled light output — With an output of up to 8,488 lumens, light projection of up to 665 ft (202.7 m), and a 5° native beam angle, ColorReach Powercore gen2 offers unprecedented LED-based illumination of large-scale structures and objects.
- Split design supports diffuser combinations — Each half of the fixture is individually addressable and controllable. For instance, you can use one spread lens on the fixture's lower half to bathe a large façade with color at street level, and a different lens to project a contrasting or complementary color hundreds of feet up the building's walls.
- Versatile optics — Exchangeable spread lenses of 8°, 13°, 23°, 40°, 63°, and an asymmetric 5° x 17° support a variety of photometric distributions for a multitude of applications, including spotlighting, wall grazing, and asymmetric wall washing. Bezel and gasket ship with spread lenses for easy user installation.
- Simple fixture positioning — Rugged, slim-profile mounting bracket allows simple positioning and fixture rotation through a full 360°. Side locking bolts reliably secure fixture with a standard wrench.



- Universal power input range — Accepts a universal power input range of 100 – 240 VAC, allowing consistent installation in any location around the world.
- Industry-leading controls — Works seamlessly with the complete Philips Color Kinetics line of controllers, including Light System Manager, iPlayer 3, and ColorDial Pro, as well as third-party controllers.

For detailed product information, please refer to the ColorReach Powercore gen 2 Product Guide at www.philipscolorkinetics.com/ls/rgb/colorreach/



Specifications

Due to continuous improvements and innovations, specifications may change without notice.

Item	Specification	Details
	Lumens*	8,488 (no spread lens, full unit)
	LED Channels	Red / Green / Blue
	Mixing Distance	50 ft (15.2 m) to uniform light
	Lumen Maintenance†	100,000 hours L50 @ 25° C 80,000 hours L50 @ 50° C
	Electrical	Input Voltage
	Power Consumption	290 W maximum at full output, steady state
	Control	Interface
	Control System	Philips full range of controllers, including Light System Manager, iPlayer 3, and ColorDial Pro, or third-party controllers
	Physical	Dimensions (Height x Width x Depth)
Weight		75 lb (34 kg)
Effective Projected Area		0.42 m ²
Housing		Die-cast aluminium, powder-coated finish
Lens		Tempered glass
Fixture Connections		Integral male / female waterproof connector, 6 ft (1.8 m) unified power / data cable
Temperature Ranges		-40° – 122° F (-40° – 50° C) Operating -4° – 122° F (-20° – 50° C) Startup -40° – 176° F (-40° – 80° C) Storage
Humidity		0 – 95%, non-condensing
Fixture Run Lengths		To calculate fixture run lengths and total power consumption for your specific installation, download the Configuration Calculator from www.philipscolorkinetics.com/support/install_tool/
Certification and Safety		Certification
	Environment	Dry / Damp / Wet Location, IP66

* Lumen measurement complies with IES LM-79-08 testing procedures



† L50 = 50% lumen maintenance (when light output drops below 50% of initial output). Ambient luminaire temperatures specified. Lumen maintenance calculations are based on lifetime prediction graphs supplied by LED source manufacturers. Calculations for white-light LED fixtures are based on measurements that comply with IES LM-80-08 testing procedures. Refer to www.philipscolorkinetics.com/support/appnotes/lm-80-08.pdf for more information.

Fixtures and Accessories

Item	Type	Item Number	Philips 12NC
ColorReach Powercore gen2 Includes 6 ft (1.8 m) leader cable	UL / cUL and CE / PSE	123-000013-50	910503703934
Replacement Leader Cable 6 ft (1.8 m)	UL / cUL	108-000043-02	910503700453
	CE / PSE	108-000043-03	910503700454
ColorReach Powercore Spread Lens with bezel	13°	120-000068-00	910503700506
	23°	120-000068-01	910503700507
	40°	120-000068-02	910503700508
	63°	120-000068-03	910503700509
	Asymmetric (5° x 17°)	120-000068-04	910503700510
	8°	120-000068-05	910503700511
Data Enabler Pro	3/4 in / 1/2 in NPT (U.S. trade size conduit)	106-000004-00	910503701210
	PG21 / PG13 (metric size conduit)	106-000004-01	910503701211

Use Item Number when ordering in North America.

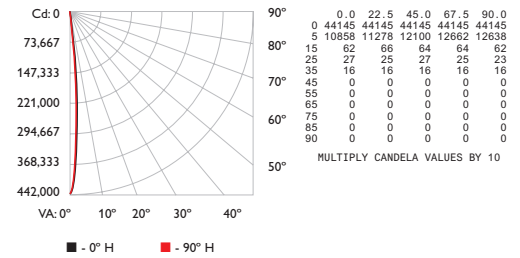


Philips Color Kinetics
3 Burlington Woods Drive
Burlington, Massachusetts 01803 USA
Tel 888.385.5742
Tel 617.423.9999
Fax 617.423.9998
www.philipscolorkinetics.com

Photometrics

5° native (no spread lens), full unit

Polar Candela Distribution



Illuminance at Distance

	Center Beam fc	Beam Width
4.0 ft	27591 fc	0.5 ft 0.5 ft
8.0 ft	6898 fc	1.0 ft 1.1 ft
12.0 ft	3066 fc	1.5 ft 1.6 ft
16.0 ft	1724 fc	2.0 ft 2.1 ft
20.0 ft	1104 fc	2.5 ft 2.7 ft
24.0 ft	766 fc	3.0 ft 3.2 ft

665 ft (202.7 m)
1 fc maximum distance

Vert. Spread: 7.2°
Horiz. Spread: 7.6°

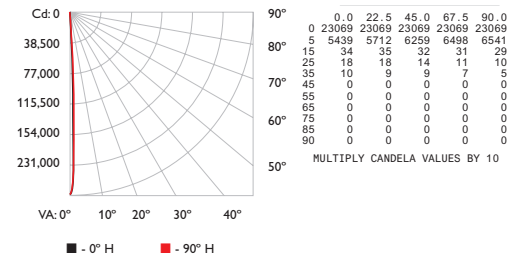
LED	Lumens	Efficacy
RGB	8488	31.0



For lux multiply fc by 10.7

5° native (no spread lens), half unit

Polar Candela Distribution



Illuminance at Distance

	Center Beam fc	Beam Width
4.0 ft	14418 fc	0.5 ft 0.5 ft
8.0 ft	3605 fc	1.0 ft 1.1 ft
12.0 ft	1602 fc	1.5 ft 1.6 ft
16.0 ft	901 fc	2.0 ft 2.1 ft
20.0 ft	577 fc	2.5 ft 2.6 ft
24.0 ft	401 fc	3.0 ft 3.2 ft

480 ft (146.3 m)
1 fc maximum distance

Vert. Spread: 7.1°
Horiz. Spread: 7.6°

LED	Lumens	Efficacy
RGB	4316	31.5



Copyright © 2008 – 2012 Philips Solid-State Lighting Solutions, Inc. All rights reserved. Chromacore, Chromasic, CK, the CK logo, Color Kinetics, the Color Kinetics logo, ColorBlast, ColorBlaze, ColorBurst, eVW Fuse, ColorGaze, ColorPlay, ColorReach, iW Reach, eW Reach, Colorcore, ColorCove, iColor, iColor Cove, IntelliWhite, iV, iPlayer, iOptibin, and Powercore are either registered trademarks or trademarks of Philips Solid-State Lighting Solutions, Inc. in the United States and / or other countries. All other brand or product names are trademarks or registered trademarks of their respective owners. Due to continuous improvements and innovations, specifications may change without notice.

DAS-000022-01 R07 09-12



Date: _____ Type: _____
 Firm Name: _____
 Project: _____

FIXTURE TYPE 'F1' 2FT
FIXTURE TYPE 'F2' 4 FT
FILL IN GRAZE WASH

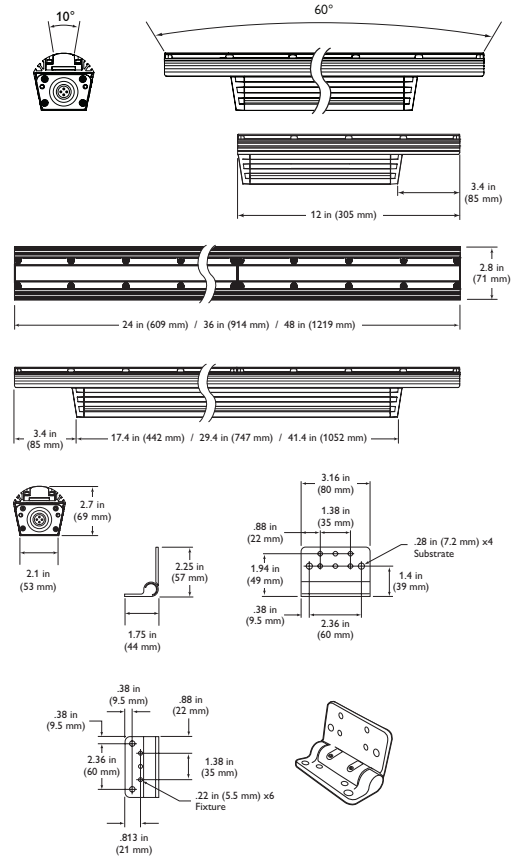
iW Graze Powercore

10° x 60° beam angle

Linear exterior LED wall grazing fixture with intelligent white light

iW Graze Powercore linear LED fixtures are optimized for surface grazing, wash lighting, and efficient signage illumination. iW Graze Powercore fixtures combine channels of cool and warm white LEDs to offer color temperatures ranging from 2700 K – 6500 K. With the operational efficiency and cost-effectiveness of Powercore technology, and a low-profile multi-positional housing, iW Graze Powercore offers both superior performance and simple installation.

- Integrates patented Powercore technology — Powercore technology rapidly, efficiently, and accurately controls power output to iW Graze Powercore fixtures directly from line voltage. The Philips Color Kinetics Data Enabler Pro merges line voltage and control data and delivers them to the fixture over a single standard cable, dramatically simplifying installation and lowering total system cost.
- Tailor light output to specific applications — Available in 1 ft (305 mm), 2 ft (610 mm), 3 ft (914 mm), and 4 ft (1219 mm) lengths, with 10° x 60° and 30° x 60° beam angle options. Superior beam quality offers uniform beam saturation as close as 6 in (152 mm), and a wide horizontal beam angle allows a range of fixture spacing options.
- Versatile installation options — Constant-torque locking hinges offer simple and consistent position control from various angles. The space-efficient, low-profile aluminum housing accommodates placement within most architectural niches.
- Industry-leading controls — iW Graze Powercore works seamlessly with the complete line of Philips Color Kinetics controllers, including Light System Manager, iPlayer 3, and ColorDial Pro, as well as third-party controllers.
- Universal power input range — iW Graze Powercore accepts power input of 100 to 240 VAC, allowing consistent installation in any location around the world. A single Data



Enabler Pro can support long runs of iW Graze Powercore fixtures.

- Outdoor rated — With an extruded, anodized aluminum housing fully sealed for maximum fixture life and IP66-rated for outdoor applications, iW Graze Powercore is ideal for use in damp or wet locations.

For detailed product information, please refer to the iW Blast Powercore Product Guide at www.philipscolorkinetics.com/ls/intelliwhite/iwgrazepc/



Specifications

Due to continuous improvements and innovations, specifications may change without notice.

Item	Specification	1 ft (305 mm)	2 ft (610 mm)	3 ft (914 mm)	4 ft (1219 mm)
Output	Color Temperature*	2700 K – 6500 K			
	Lumens†	557 (1 ft length)			
	Efficacy (lm / W)	24.6 (1 ft length)			
	Lumen Maintenance‡	50,000 hours L50 @ 25° C (typical application)			
Electrical	Input Voltage	100 – 240 VAC, auto-switching, 50 / 60 Hz			
	Power Consumption <i>max. at full output, steady state</i>	17.5 W	35 W	52.5 W	70 W
Control	Interface	Data Enabler Pro (DMX / Ethernet) Fixture firmware addressable 8- or 16-bit control			
Physical	Dimensions (Height x Width x Depth)	2.7 x 12 x 2.8 in (69 x 305 x 71 mm)	2.7 x 24 x 2.8 in (69 x 610 x 71 mm)	2.7 x 36 x 2.8 in (69 x 914 x 71 mm)	2.7 x 48 x 2.8 in (69 x 1219 x 71 mm)
	Weight	1.99 lb (0.9 kg)	4.9 lb (2.2 kg)	8.1 lb (3.6 kg)	10.8 lb (4.9 kg)
	Housing	Extruded anodized aluminum			
	Lens	Clear polycarbonate with holographic film diffuser			
	Fixture Connectors	Integral male / female waterproof connectors			
	Mounting	Multi-positional, constant torque locking hinges			
	Temperature Ranges	-40° – 122° F (-40° – 50° C) Operating -4° – 122° F (-20° – 50° C) Startup -40° – 176° F (-40° – 80° C) Storage			
	Humidity	0 – 95%, non-condensing			
Certification and Safety	Certification	UL / cUL, FCC Class A, CE, C-Tick			
	Environment	Dry / Damp / Wet Location, IP66			

* Color temperatures conform to nominal CCTs as defined in ANSI Chromaticity Standard C78.377A.

† Lumen measurement complies with IES LM-79-08 testing procedures.

‡ L50 = 50% lumen maintenance (when light output drops below 50% of initial output). Ambient luminaire temperatures specified.

Lumen maintenance calculations are based on lifetime prediction graphs supplied by LED source manufacturers. Calculations for white-light LED fixtures are based on measurements that comply with IES LM-80-08 testing procedures. Refer to www.philipscolorkinetics.com/support/appnotes/lm-80-08.pdf for more information.



Fixtures and Accessories

Use Item Number when ordering in North America.

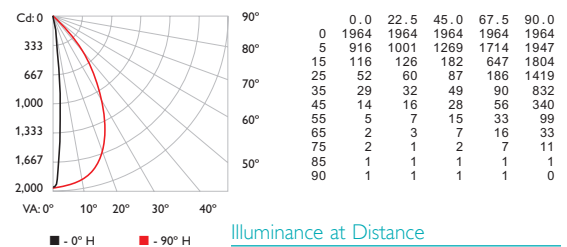
Item	Type	Item Number	Philips 12NC
iW Graze Powercore	10° x 60° beam angle	1 ft (305 mm)	523-000053-04 910503700956
		2 ft (610 mm)	523-000053-05 910503700957
		3 ft (914 mm)	523-000053-06 910503700958
		4 ft (1219 mm)	523-000053-07 910503700959
Leader Cable	UL / cUL	50 ft (15.2 m)	108-000042-00 910503700322
	CE	108-000042-01	910503700323
Jumper Cable	UL / cUL	End-to-end	108-000039-00 910503700314
		1 ft (305 mm)	108-000039-01 910503700315
		5 ft (1.5 m)	108-000039-02 910503700316
	CE	End-to-end	108-000040-00 910503700317
		1 ft (305 mm)	108-000040-01 910503700318
		5 ft (1.5 m)	108-000040-02 910503700319
Glare Shield		1 ft (305 mm)	120-000081-00 910503700745
		2 ft (610 mm)	120-000081-01 910503700746
		3 ft (914 mm)	120-000081-02 910503700747
		4 ft (1.2 m)	120-000081-03 910503700748
Additional Terminators	Quantity 10	120-000074-00	910503700580
Additional Hinge	Quantity 1	120-000098-00	910503700772
Data Enabler Pro	3/4 in / 1/2 in NPT (U.S. trade size conduit)	106-000004-00	910503701210
	PG21 / PG13 (metric size conduit)	106-000004-01	910503701211

CHROMACORE[®] | OPTIBIN[™] | POWERCORE[™]
CKTECHNOLOGY CKTECHNOLOGY CKTECHNOLOGY

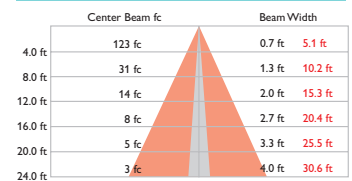
Photometrics

1 ft (305 mm) length, 10° x 60° beam angle

Polar Candela Distribution



Illuminance at Distance



44.3 ft (13.5 m) 1 fc maximum distance
 ■ Vert. Spread: 9.5°
 ■ Horiz. Spread: 65.0°

Lumens	557
Efficacy	24.6 lm / W

For lux multiply fc by 10.7



Philips Color Kinetics
 3 Burlington Woods Drive
 Burlington, Massachusetts 01803 USA
 Tel 888.385.5742
 Tel 617.423.9999
 Fax 617.423.9998
www.philipscolorkinetics.com

Copyright © 2010 – 2012 Philips Solid-State Lighting Solutions, Inc. All rights reserved.
 Chromacore, Chromasic, CK, the CK logo, Color Kinetics, the Color Kinetics logo, ColorBlast, ColorBlaze, ColorBurst, ColorGraze, ColorPlay, ColorReach, iW Reach, eW Reach, eW Fuse, DIMand, EssentialWhite, eW, iColor, iColor Cove, IntelliWhite, iW, iPlayer, Optibin, and Powercore are either registered trademarks or trademarks of Philips Solid-State Lighting Solutions, Inc. in the United States and / or other countries. All other brand or product names are trademarks or registered trademarks of their respective owners. Due to continuous improvements and innovations, specifications may change without notice.

DAS-000026-01 R03 07-12



Date: _____ Type: _____
 Firm Name: _____ **FIXTURE TYPE 'G'
 FACIA GIRDER FILL** _____
 Project: _____

iW Blast Powercore

21° frosted lens

The world's leading exterior LED wash fixture with intelligent white light

Higher Output

Three-Channel:

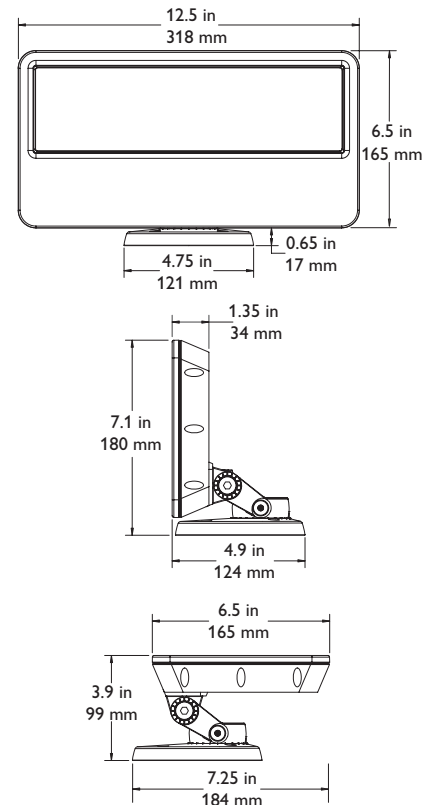
2700 K

4000 K

6500 K

iW Blast Powercore is an intelligent, high-performance white-light LED fixture that goes where white lights have never gone before. With improved output of up to 1852 lumens and superior fixture-to-fixture color consistency, iW Blast Powercore is ideal for situations in which lamp maintenance may be difficult or impossible.

- Integrates patented Powercore technology — Powercore technology rapidly, efficiently, and accurately controls power output to fixtures directly from line voltage. The Philips Color Kinetics Data Enabler Pro merges line voltage with control data and delivers them to the fixture over a single standard wire, dramatically simplifying installation and lowering total system cost.
- Supports new applications for white light— Long useful source life (up to 70,000 hours at 70% lumen maintenance) significantly reduces or eliminates maintenance problems, allowing the use of white lighting in spaces where lamp maintenance may be difficult or impossible.
- High-performance illumination in a wide range of color temperatures — Channels of warm, neutral, and cool white LEDs produce color temperatures ranging from 2700 K to 6500 K. iW Blast Powercore offers the greatest possible light intensity at all color temperatures. Fixture brightness can be varied while maintaining constant color temperature.
- High-intensity, energy-efficient white light — Produces high-intensity illumination at a significantly lower power draw than comparable ceramic metal halide light sources.
- Versatile lighting options — iW Blast Powercore is available in four beam angles: 21° and 36° for soft edges, 83° with no optic for uniformly washing façades, and 10° for extended light projection. Rugged die-cast aluminum housing is available in white or black.
- Flexible light positioning — Locking canopy base offers friction-free rotation of up to 350°, and 110° fixture tilting lets you quickly aim the fixture without special tools.



- Easy installation — Fixtures can be mounted to a junction box on a wall, ceiling, or floor for maximum flexibility. The canopy base allows for after-installation rotation without precise junction box positioning.
- Universal power input range — Accepts a universal power input range of 100 – 240 VAC, allowing long fixture runs and consistent installation in any location around the world.
- Outdoor rated — Fully sealed for maximum fixture life, fixtures meet or exceed specifications for use in wet locations.

For detailed product information, please refer to the iW Blast Powercore Product Guide at www.philipscolorkinetics.com/ls/intelliwhite/iwblastpc/

PHILIPS

Specifications

Due to continuous improvements and innovations, specifications may change without notice.

Item	Specification	Details
	Color Temperature*	2700 K – 6500 K
	Lumens†	1708
	Efficacy (lm / W)	33.1
	CRI	80
	Lumen Maintenance‡	70,000 hours L70 @ 25° C 37,000 hours L70 @ 50° C 90,000 hours L50 @ 25° C 68,000 hours L50 @ 50° C
	Mixing Distance	6 in (152 mm) to uniform light
	LED Channels	2700 K / 4000 K / 6500 K
Electrical	Input Voltage	100 – 240 VAC, auto-switching, 50 / 60 Hz via Data Enabler Pro
	Power Consumption	50 W maximum at full output, steady state
	Power Factor	.99 @ 120 VAC
Control	Interface	Data Enabler Pro (DMX / Ethernet) Fixture firmware addressable 8- or 16-bit control
	Control System	Philips full range of controllers, including Light System Manager, iPlayer 3, and ColorDial Pro, or third-party controllers
Physical	Dimensions (Height x Width x Depth)	7.1 x 12.5 x 4.9 in (172 x 317 x 125 mm)
	Weight	6.4 lbs (2.9 kg)
	Effective Projected Area (EPA)	0.05211 m ²
	Housing	Die-cast aluminium, black or white powder-coated finish
	Lens	Frosted tempered glass
	Fixture Connections	6 ft (1.8 m) unified power / data cable
	Temperature Ranges	-40° – 122° F (-40° – 50° C) Operating -4° – 122° F (-20° – 50° C) Startup -40° – 176° F (-40° – 80° C) Storage
Certification and Safety	Certification	UL / cUL, FCC, Class A, CE, PSE
	Environment	Dry / Damp / Wet Location, IP66

* Color temperatures conform to nominal CCTs as defined in ANSI Chromaticity Standard C78.



† Lumen measurement complies with IES LM-79-08 testing procedures.

‡ L70 = 70% lumen maintenance (when light output drops below 70% of initial output). L50 = 50% lumen maintenance (when light output drops below 50% of initial output). Ambient luminaire temperatures specified. Lumen maintenance calculations are based on lifetime prediction graphs supplied by LED source manufacturers. Calculations for white-light LED fixtures are based on measurements that comply with IES LM-80-08 testing procedures. Refer to www.philipscolorkinetics.com/support/appnotes/ for more information.

Data Enabler Pro

Item	Type	Item Number	Philips 12NC
Data Enabler Pro	3/4 in / 1/2 in NPT (U.S. trade size conduit)	106-000004-00	910503701210
	PG21 / PG13 (metric size conduit)	106-000004-01	910503701211

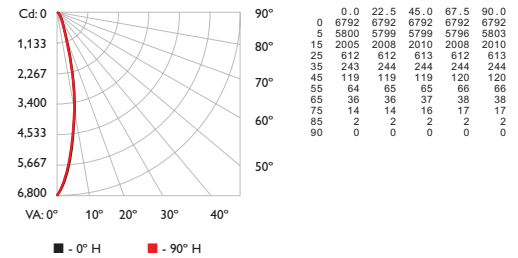


Philips Color Kinetics
3 Burlington Woods Drive
Burlington, Massachusetts 01803 USA
Tel 888.385.5742
Tel 617.423.9999
Fax 617.423.9998
www.philipscolorkinetics.com

Photometrics

21° frosted lens

Polar Candela Distribution



Illuminance at Distance

Center Beam fc	Beam Width
4 ft	424 fc 1.5 ft 1.5 ft
8 ft	106 fc 3.0 ft 3.1 ft
12 ft	47 fc 4.6 ft 4.6 ft
16 ft	27 fc 6.1 ft 6.1 ft
20 ft	17 fc 7.6 ft 7.6 ft
24 ft	12 fc 9.1 ft 9.2 ft

82.4 ft (25.1 m) 1 fc maximum distance
Vert. Spread: 21.6° Horiz. Spread: 21.6°

Lumens	1708
Efficacy	33.1

For lux multiply fc by 10.7

Refer to the *iW Blast Powercore Product Guide* for information on available accessories, including top hats, half top hats, egg crate louvers, barndoors, and spread lenses.

CHROMACORE[®] | OPTIBIN[®] | POWERCORE[®]
CK TECHNOLOGY | CK TECHNOLOGY | CK TECHNOLOGY

Fixtures

Item	Type	Housing	Item Number	Philips 12NC
iW Blast Powercore UL / cUL CE	10°	White	523-000071-00	910503702333
		Black	523-000071-01	910503702356
	21°	White	523-000071-02	910503702357
		Black	523-000071-03	910503702358
	36°	White	523-000071-04	910503702359
		Black	523-000071-05	910503702360
83°	White	523-000071-06	910503702361	
	Black	523-000071-07	910503702362	
iW Blast Powercore CQC	10°	White	523-000071-08	910503702438
		Black	523-000071-09	910503702439
	21°	White	523-000071-10	910503702440
		Black	523-000071-11	910503702441
	36°	White	523-000071-12	910503702831
		Black	523-000071-13	910503702832
	83°	White	523-000071-14	910503702833
		Black	523-000071-15	910503702834

Use Item Number when ordering in North America.

Copyright © 2009 – 2012 Philips Solid-State Lighting Solutions, Inc. All rights reserved. Chromacore, Chromasic, CK, the CK logo, Color Kinetics, the Color Kinetics logo, ColorBlast, ColorBlaze, ColorBurst, eW Fuse, ColorGraze, ColorPlay, ColorReach, iW Reach, eW Reach, DIMand, EssentialWhite, eW, iColor, iColor Cove, IntelliWhite, iW, iPlayer, Optibin, and Powercore are either registered trademarks or trademarks of Philips Solid-State Lighting Solutions, Inc. in the United States and / or other countries. All other brand or product names are trademarks or registered trademarks of their respective owners. Due to continuous improvements and innovations, specifications may change without notice.

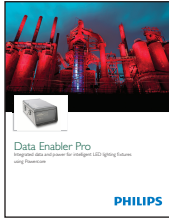
DAS-000023-02 R06 07-12



Date: _____ Type: _____

Firm Name: _____ **FIXTURE TYPE 'DATA ENABLER'** _____

Project: _____



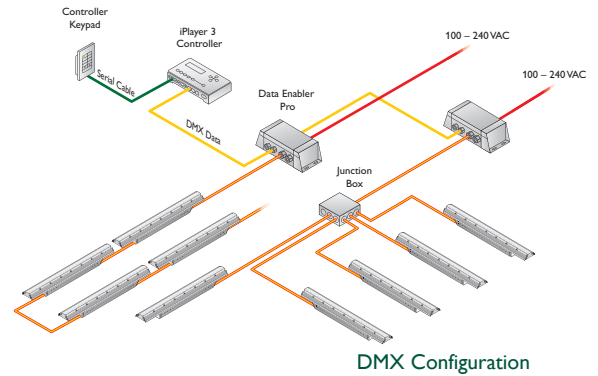
☰ For information on installation planning, including electrical and data configuration guidelines, view or download the Data Enabler Pro Product Guide from www.philipscolorkinetics.com/lsl/pds/dataenablerpro/

Data Enabler Pro

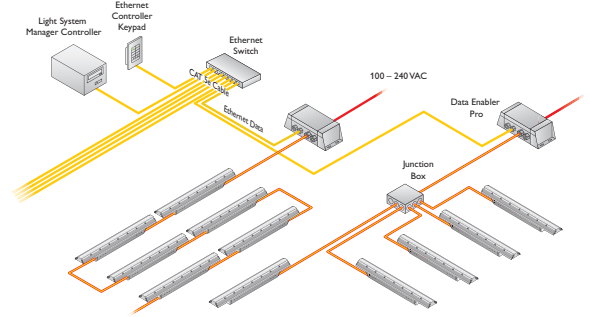
Integrated data and power for intelligent LED lighting fixtures employing Powercore technology

Data Enabler Pro delivers integrated data and power to intelligent color and tunable white LED lighting fixtures employing Powercore technology from Philips Color Kinetics. Data Enabler Pro integrates many of the features of the previous generation of Data Enablers, including Data Enabler DMX, Data Enabler Ethernet, and Data Enabler EO. Data Enabler Pro is the single solution for all intelligent Powercore-based installations, whether DMX or Ethernet, color or white, indoors or outdoors.

- Easy installation — Accessible, clearly labeled terminal block connectors for DMX, Ethernet, line voltage, and fixtures make installation easy. Tethered cover with captive screws ensures convenient removal and replacement.
- Supports fixtures employing Powercore technology — Powercore technology rapidly, efficiently, and accurately controls power output to LED lighting fixtures directly from line voltage. Philips Data Enabler Pro merges line voltage and control data and delivers them to Powercore fixtures over a single cable, dramatically simplifying installation and lowering total system cost.
- On-board diagnostics — On-board indicator LEDs provide visual feedback for normal operation, Ethernet connection detection, and Ethernet and DMX data transmission.
- Full support for DMX and Ethernet — Provides inputs and outputs for both DMX and Ethernet, allowing you to connect multiple Data Enabler Pro devices in series. Also provides an Ethernet output terminal for eW Accent MX Powercore and iColor Accent MX Powercore support.



DMX Configuration



Ethernet Configuration

- Outdoor-rated for use in damp and wet environments — Data Enabler Pro offers superior leakage protection in a cast aluminum, IP66-rated enclosure.
- Multiple conduit entries — Data Enabler Pro conduit entries accommodate NPT conduit in US trade sizes of 1/2 in and 3/4 in, or metric sizes of PG13 and PG21.
- Universal power input range — Data Enabler Pro automatically senses mains voltages ranging from 100 – 277 VAC, and passes mains voltages through to all connected lights.
- Designed for maximum energy efficiency — Data Enabler Pro consumes just 20 W maximum. Optional power-saving modes automatically cut power to attached lights when lights are off for a configurable number of minutes.



Specifications

Due to continuous improvements and innovations, specifications may change without notice.

Item	Specification	Details
Electrical	Input Voltage	100 – 277 VAC*, auto-ranging, 50 / 60 Hz
	Maximum Input Current	16.5 A maximum
	Power Consumption	20 W maximum
	Load Current	16 A maximum
Connections	Power Input	3-wire PC terminal block connector†
	Power / Data Output	4-wire PC terminal block connector†
		4-wire IDC terminal block connector (eW Accent MX Powercore and iColor Accent MX Powercore only)‡
	DMX Input / Output	Double-pair, double-entry IDC connectors‡
	Ethernet Input / Output	Double-pair, double-entry IDC connectors‡
Physical	Dimensions (Height x Width x Depth)	3.4 x 10.5 x 5.4 in (87 x 267 x 138 mm)
	Weight	5.4 lb (2.4 kg)
	Construction	Cast aluminum enclosure with slots for surface mounting
	Finish	Powder-coated industrial gray matte
	Threaded Openings	3/4 in NPT for power / 1/2 in NPT for data (US trade) PG21 for power / PG13 for data (metric)
	Temperature Ranges	-40° – 122° F (-40° – 50° C) Operating -20° – 122° F (-20° – 50° C) Startup -40° – 176° F (-40° – 80° C) Storage
	Humidity	0 – 95%, non-condensing
	Cooling	Convection
	Heat Dissipation	20 W
	Data Input Source	Philips full range of controllers, third-party DMX controllers, or KiNET-compatible§ third-party Ethernet controllers
Certification and Safety	Certification	UL / cUL, FCC Class A, CE, C-Tick
	Environment	Dry / Damp / Wet Location, IP66

* Verify that the line voltage is appropriate for the lighting fixtures in your installation. See a specific fixture's documentation for supported line voltages.



† PC terminal block connectors accept recommended wire sizes from 8 – 18 AWG (8.37 – 0.823 mm²).

‡ IDC connectors accept wire sizes from 22 – 26 AWG (0.326 – 0.129 mm²).

§ KiNET is the Ethernet lighting protocol from Philips Color Kinetics.

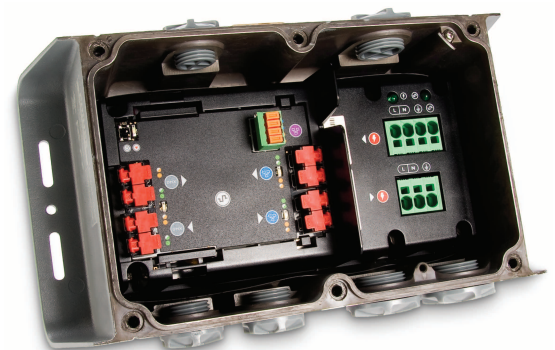
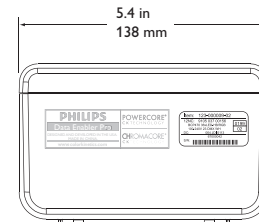
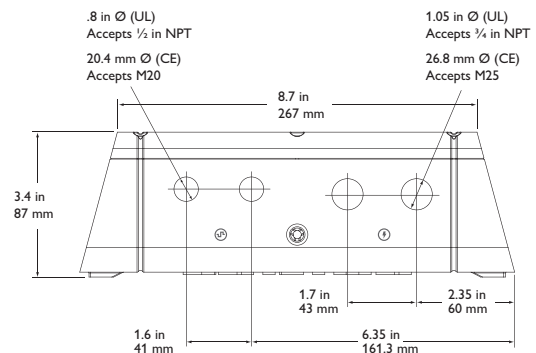
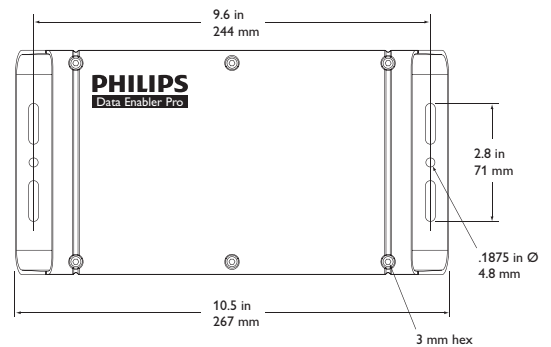
Ordering Information

Item	Type	Item Number	Philips 12NC
Data Enabler Pro	3/4 in / 1/2 in NPT (US trade size conduit)	106-000004-00	910503701210
	PG21 / PG13 (metric size conduit)	106-000004-01	910503701211

Use Item Number when ordering in North America.



Philips Color Kinetics
3 Burlington Woods Drive
Burlington, Massachusetts 01803 USA
Tel 888.385.5742
Tel 617.423.9999
Fax 617.423.9998
www.philipscolorkinetics.com



Copyright © 2010 – 2012 Philips Solid-State Lighting Solutions, Inc. All rights reserved. Chromacore, Chromasic, CK, the CK logo, Color Kinetics, the Color Kinetics logo, ColorBlast, ColorBlaze, ColorBurst, eW Fuse, ColorGraze, ColorPlay, ColorReach, iW Reach, eW Reach, DIMand, EssentialWhite, eW, iColor, iColor Cove, IntelliWhite, iW, iPlayer, Optibin, and Powercore are either registered trademarks or trademarks of Philips Solid-State Lighting Solutions, Inc. in the United States and / or other countries. All other brand or product names are trademarks or registered trademarks of their respective owners. Due to continuous improvements and innovations, specifications may change without notice. DAS-000052-01 R05 07-12