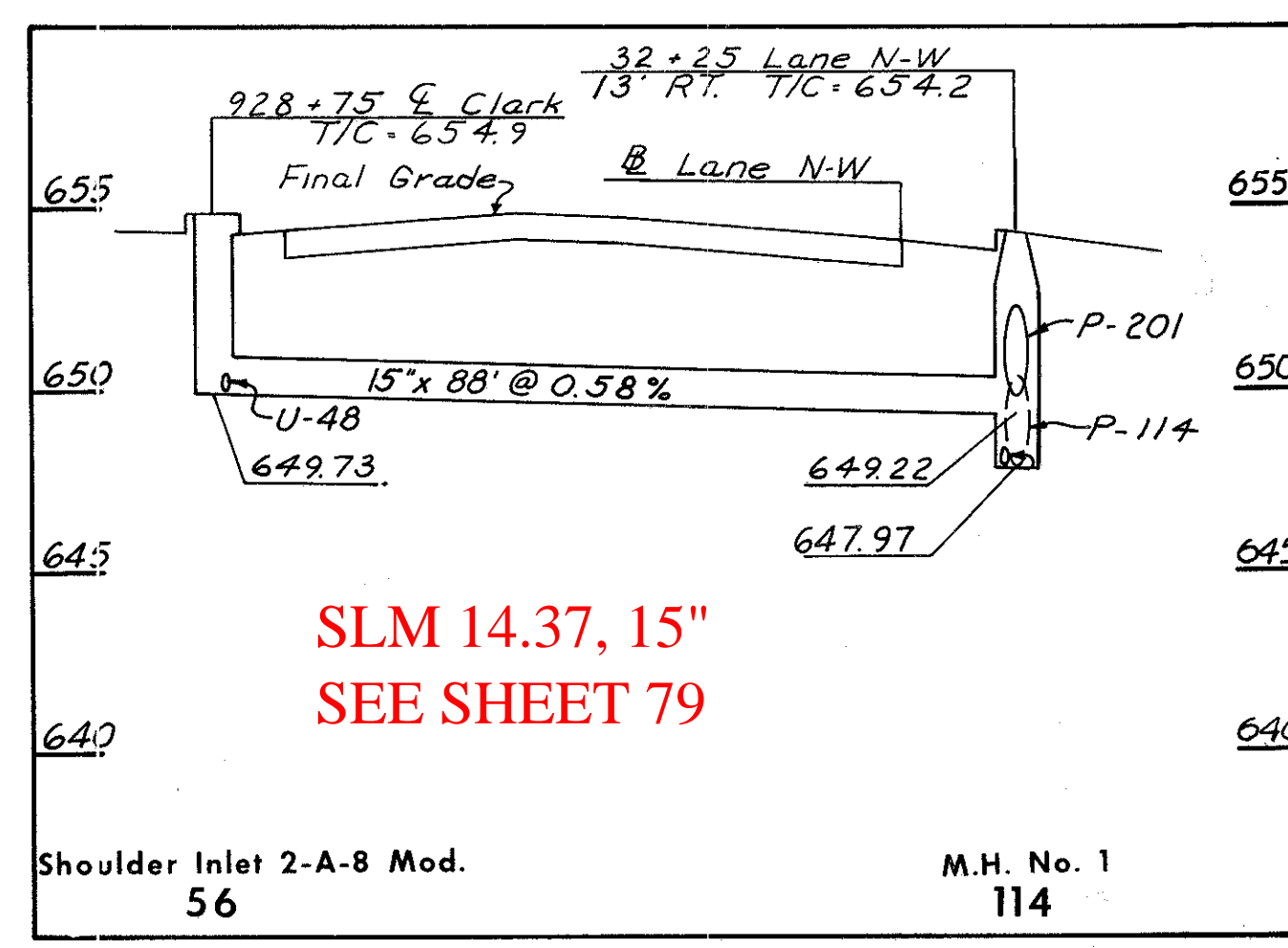
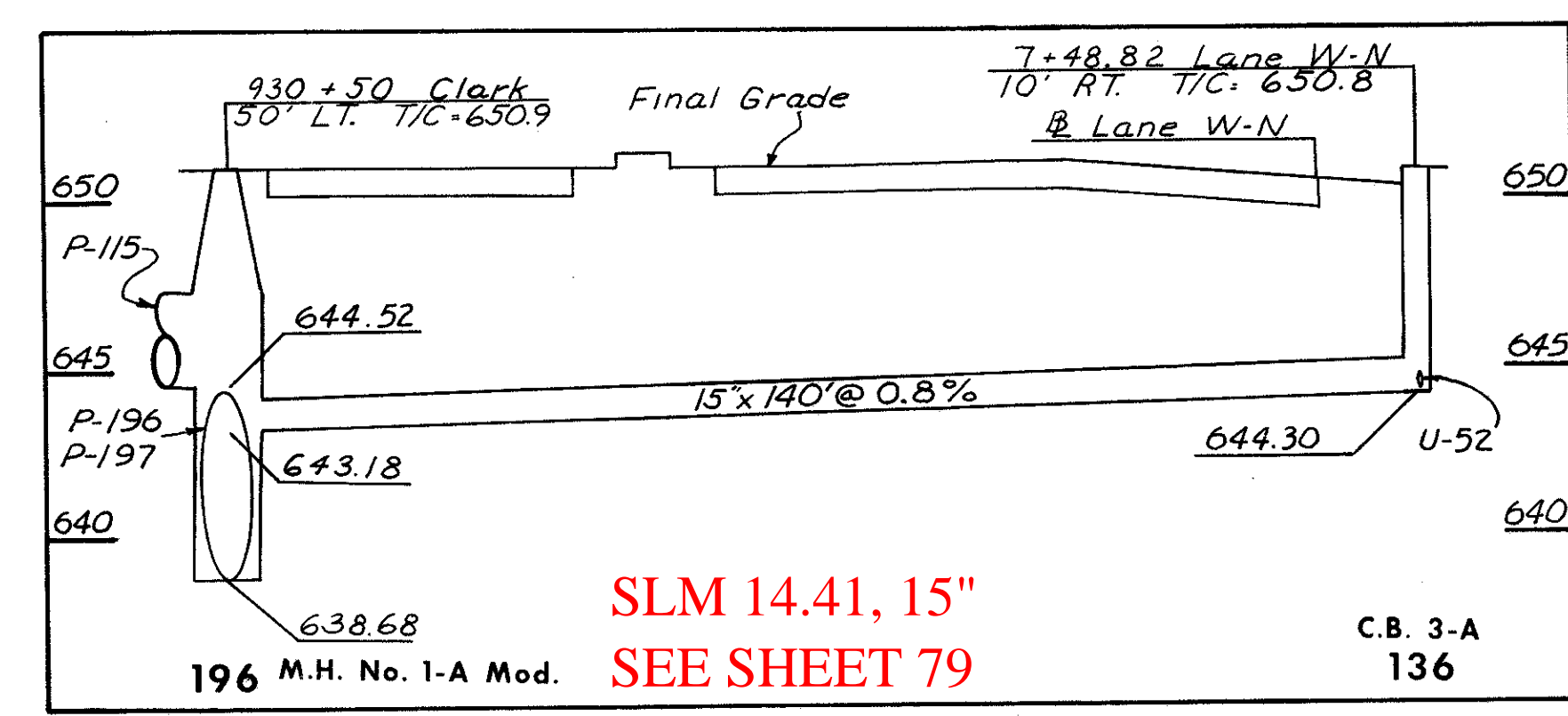


CUYAHOGA COUNTY
CITY OF CLEVELAND
MEDINA-CLARK INTERCHANGE
CUY- 71-18.54
CUY- 90-13.81



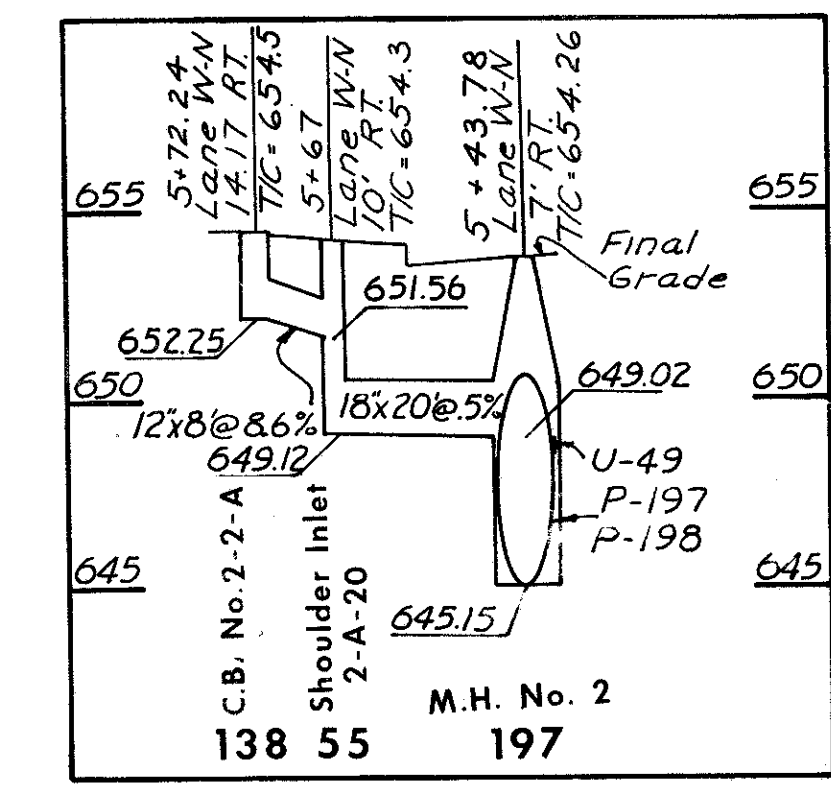
SLM 14.37, 15"
SEE SHEET 79

P-56
CLASS B-1



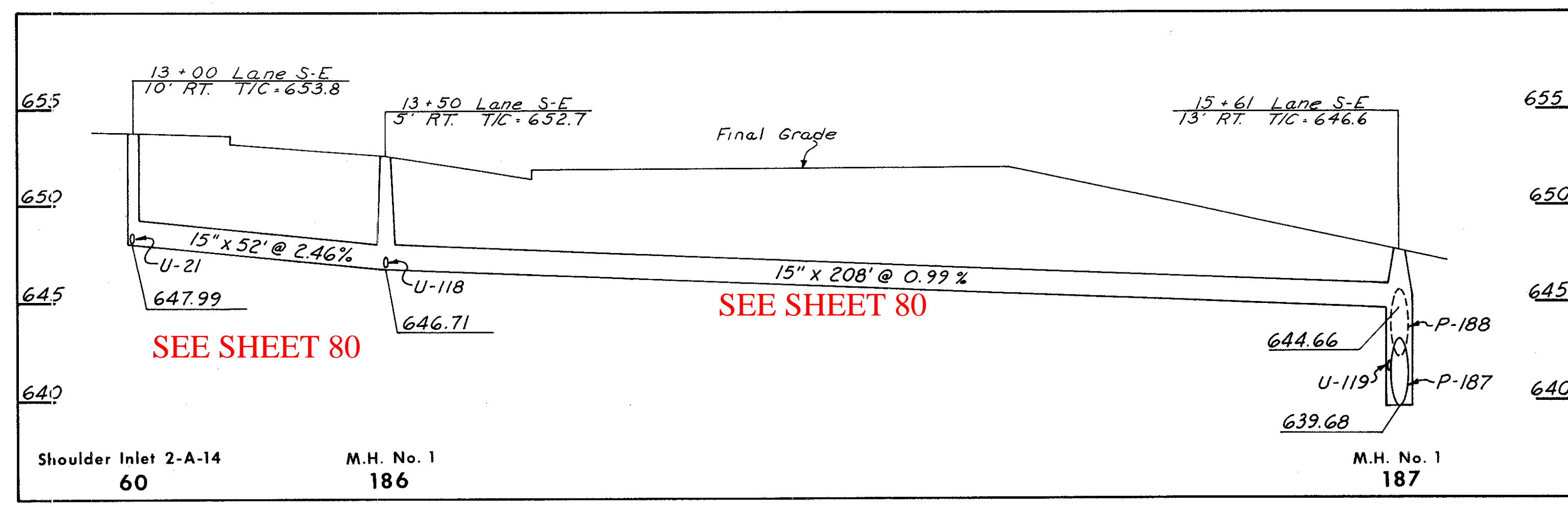
SLM 14.41, 15"
SEE SHEET 79

P-136
CLASS B-1



SEE SHEET 79

P-138 P-55
CLASS E-1 CLASS B-1

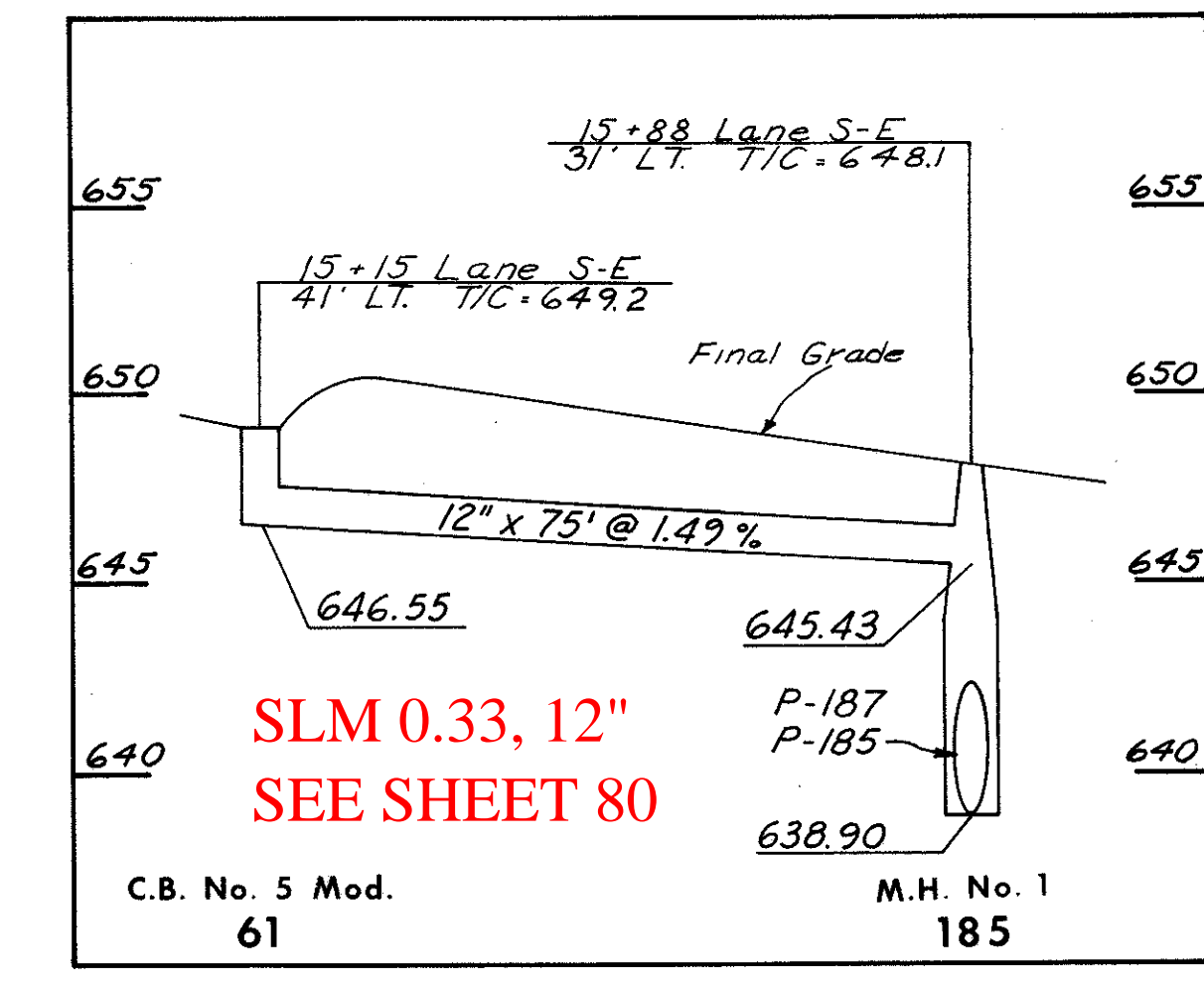


SEE SHEET 80

SEE SHEET 80

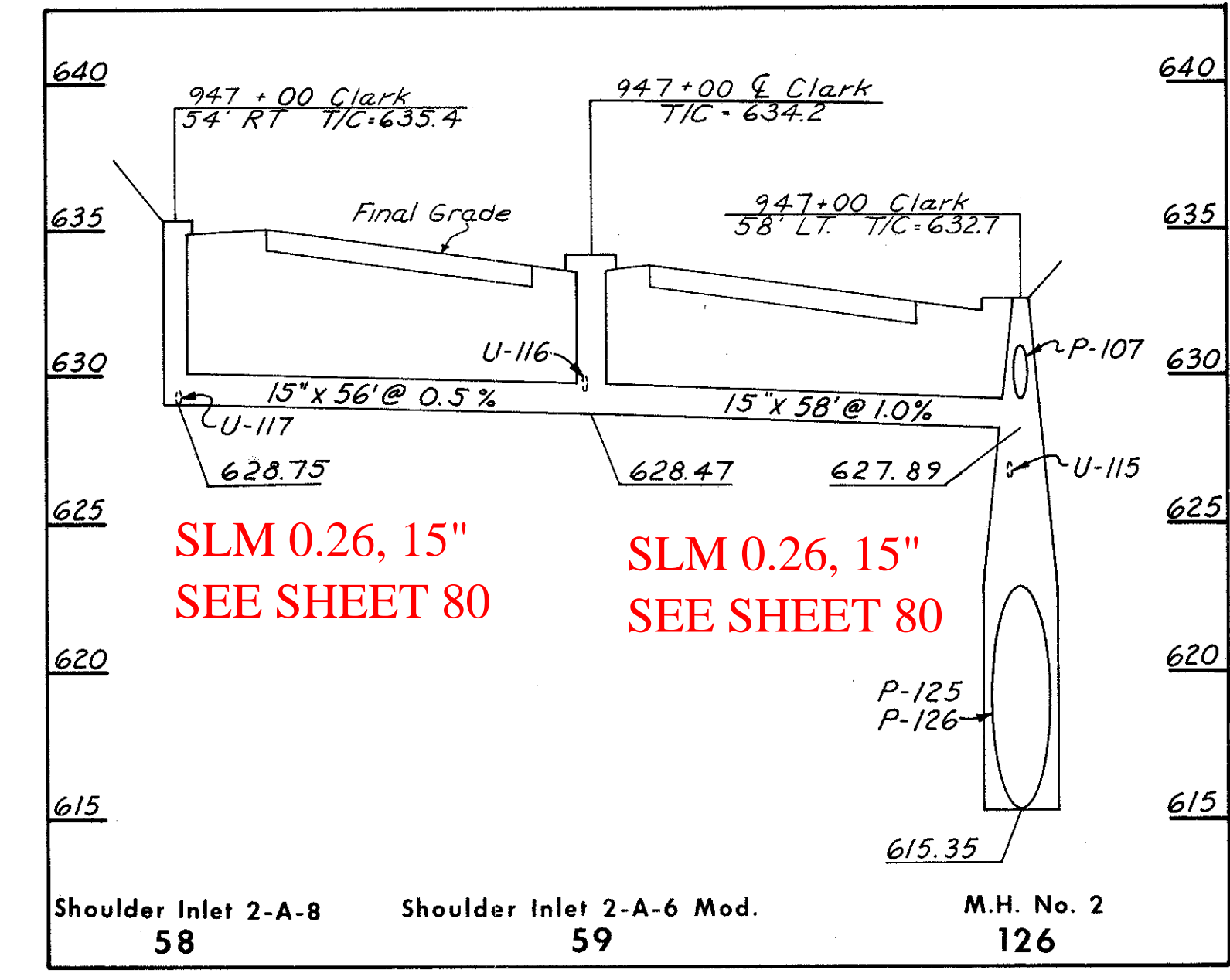
P-60
CLASS B-1

P-186
CLASS B-1



SLM 0.33, 12"
SEE SHEET 80

P-61
CLASS E-1



SLM 0.26, 15"
SEE SHEET 80

SLM 0.26, 15"
SEE SHEET 80

P-58
CLASS B-1

P-59
CLASS B-1

ESTIMATED QUANTITIES

CODE	LOCATION	I-8 STRUCTURES									
		Shoulder Inlet 2-A-6 Mod.	Shoulder Inlet 2-A-8 Mod.	Shoulder Inlet 2-A-8 Mod.	Shoulder Inlet 2-A-14 Mod.	Shoulder Inlet 2-A-20 Mod.	C. B. No. 2-2-A	C. B. 3-A	C. B. 5 Mod.	M. H. No. 1	M. H. No. 2
55	5+67 Lane W-N 10' Rt *					1 *					
56	928+75 Clark E			1							
58	947+00 Clark 54' Rt		1								
59	947+00 Clark E	1									
60	13+00 Lane S-E 10' Rt				1						
61	15+15 Lane S-E 41' Lt							1			
136	7+48.82 Lane W-N 10' Rt *							1 *			
138	5+72.24 Lane W-N 14.17 Rt *							1 *			
185	15+88 Lane S-E 31' Lt								1		
186	13+50 Lane S-E 5' Rt								1		
187	15+61 Lane S-E 13' Rt								1		
197	5+43.78 Lane W-N 7' Rt *									1 *	
	CUY-71-18.54 TOTALS	1	1	1	1	1 *	1 *	1 *	3	1 *	
	CUY-90-13.81 TOTALS					1 *	1 *	1 *		1 *	

CODE	ROADWAY	INLET CODE		I-1 PIPE		
		FROM	TO	CLASS B-1 15"	CLASS B-1 18"	CLASS E-1 12"
P-55	LANE W-N *	55	197		20' *	
P-56	Clark Freeway	56	114	88'		
P-58	Clark Freeway	58	59	56'		
P-59	Clark Freeway	59	126	58'		
P-60	LANE S-E	60	186	52'		
P-61	LANE S-E	61	185			75'
P-136	LANE W-N *	136	196	140' *		
P-138	LANE W-N *	138	55			8' *
P-186	LANE S-E	186	187	208'		
	CUY-71-18.54 TOTALS			462'	20'	75'
	CUY-90-13.81 TOTALS			140' *		8' *

P-55, P-56,
P-58 thru P-61,
P-136,
P-138, and P-186
SEWER PROFILES