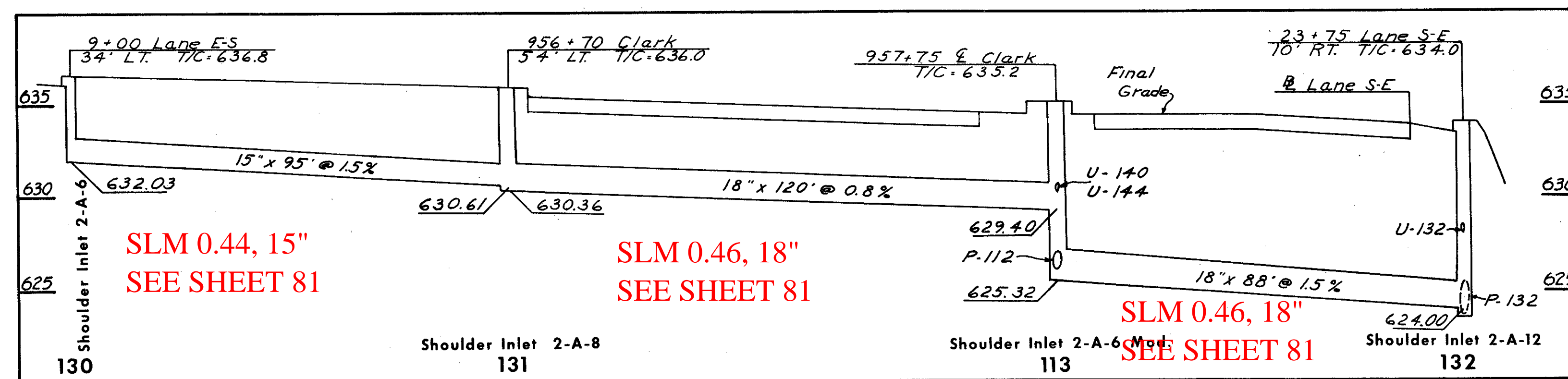


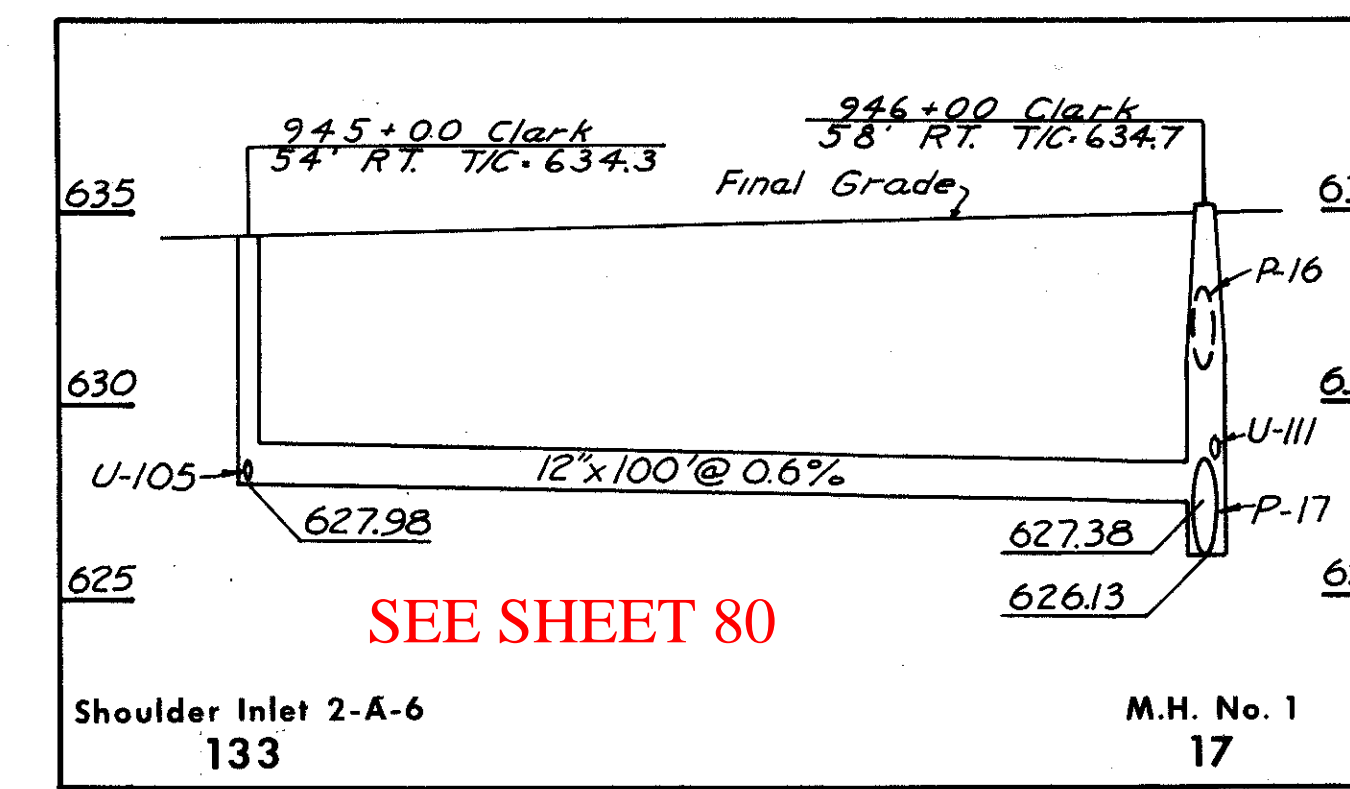
CUYAHOGA COUNTY
CITY OF CLEVELAND
MEDINA-CLARK INTERCHANGE
CUY-71-18.54
CUY-90-13.81



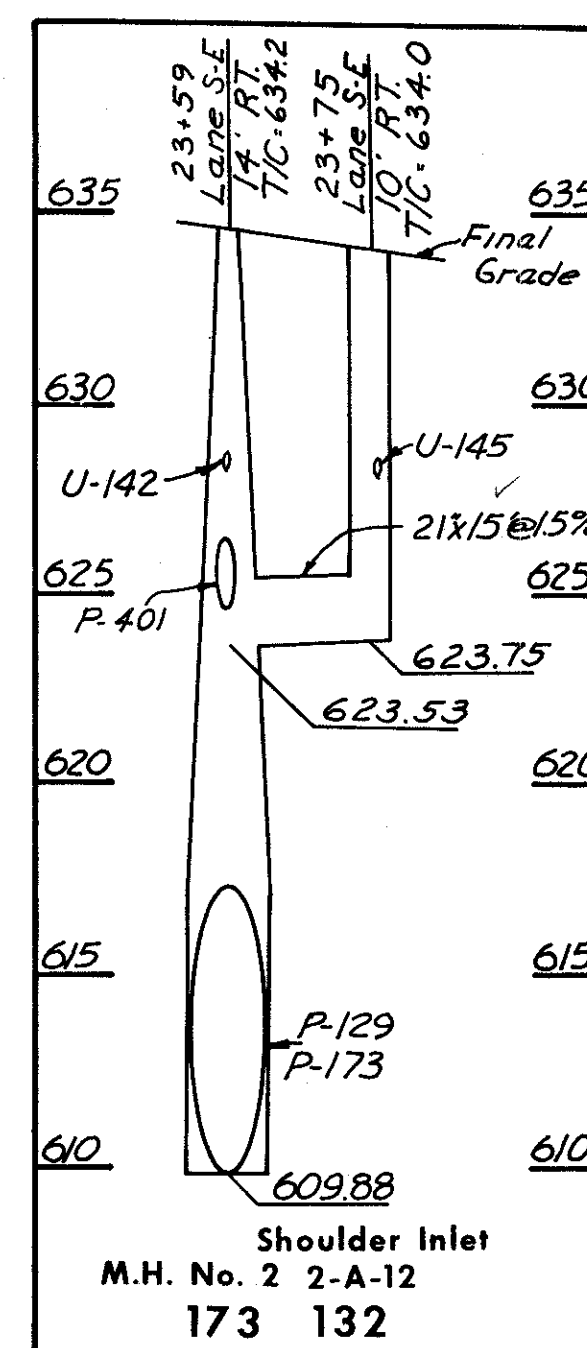
P-130
CLASS B-1

P-131
CLASS B-1

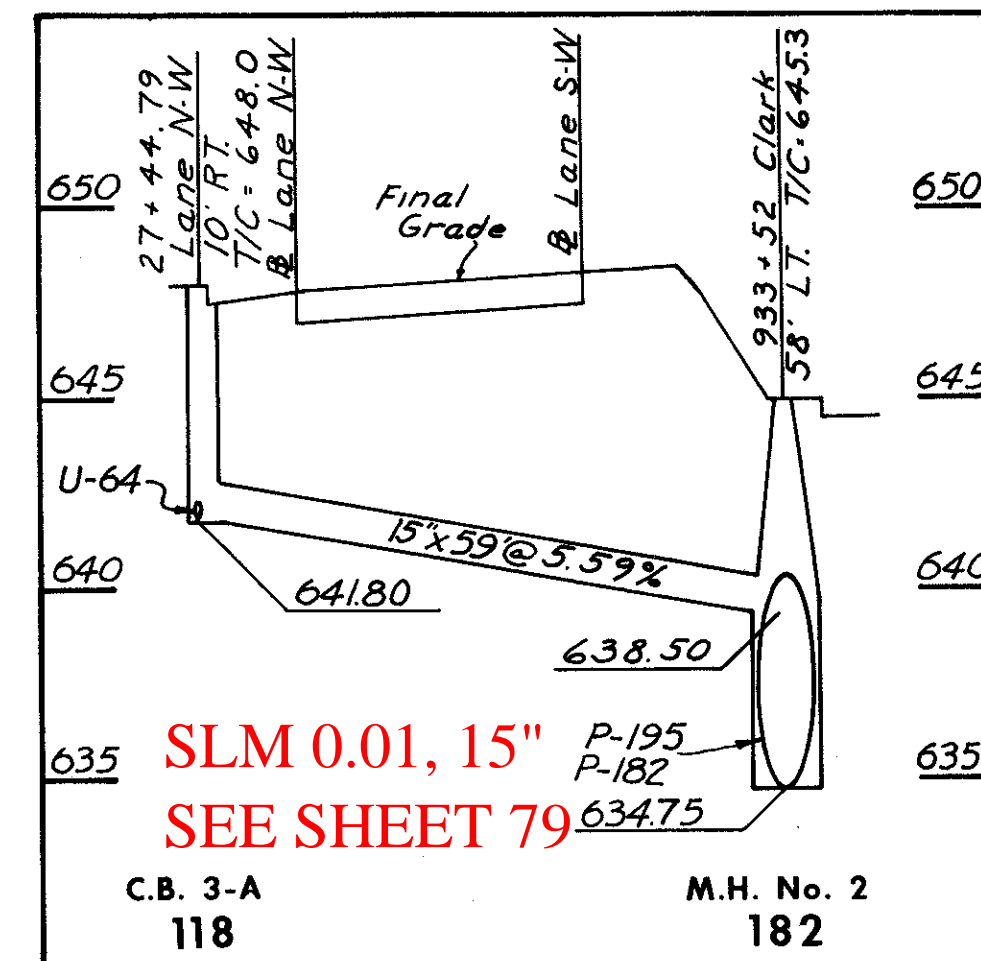
P-113
CLASS B-1



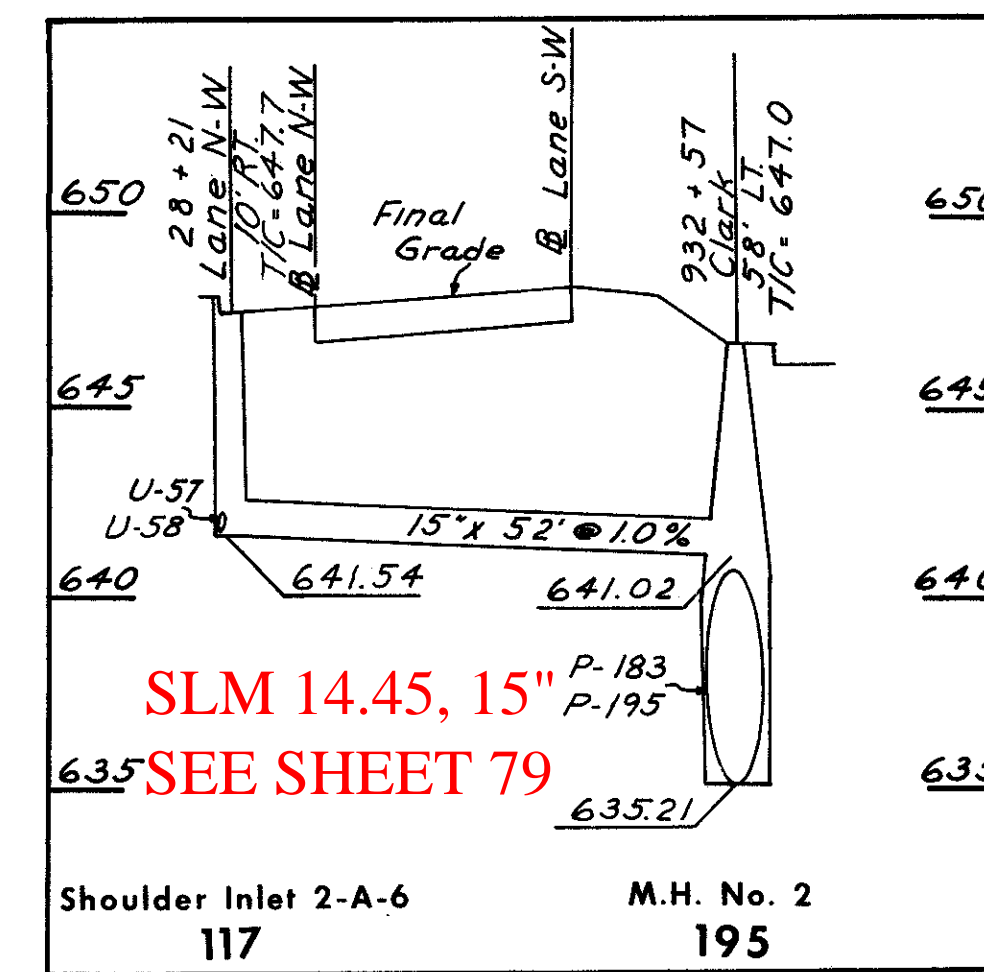
P-133
CLASS E-1



P-132
CLASS E-1



P-118
CLASS B-1



P-117
CLASS B-1

ESTIMATED QUANTITIES

I-8 STRUCTURES					
CODE	LOCATION	Shoulder Inlet 2-A-6	Shoulder Inlet 2-A-8	Shoulder Inlet 2-A-12	C.B. 3-A
117	28+21 Lane N-W 10' RT.*	1*			
118	27+44.79 Lane N-W 10' RT.*				1*
131	956+70 Clark Freeway 54' LT.		1		
132	23+75 Lane S-E 10' RT.			1	
133	945+00 Clark Freeway 54' RT.	1			
	CUY-71-18.54 TOTALS	1	1	1	
	CUY-90-13.81 TOTALS	1*			1*

I-1 PIPE							
CODE	ROADWAY	INLET CODE		CLASS			
		FROM	TO	CLASS B-1	CLASS B-1	CLASS E-1	CLASS E-1
P-113	Clark Freeway	113	132	15"	18"	12"	21"
P-117	Lane N-W *	117	195	52' *	88' ✓		
P-118	Lane N-W *	118	182	59' *			
P-130	Lane E-S	130	131	95' ✓			
P-131	Clark Freeway	131	113		120' ✓		
P-132	Lane S-E	132	173				15' ✓
P-133	Clark Freeway	133	17			100' ✓	
	CUY-71-18.54 TOTALS			95' ✓	208' ✓	100' ✓	15' ✓
	CUY-90-13.81 TOTALS			111' *			