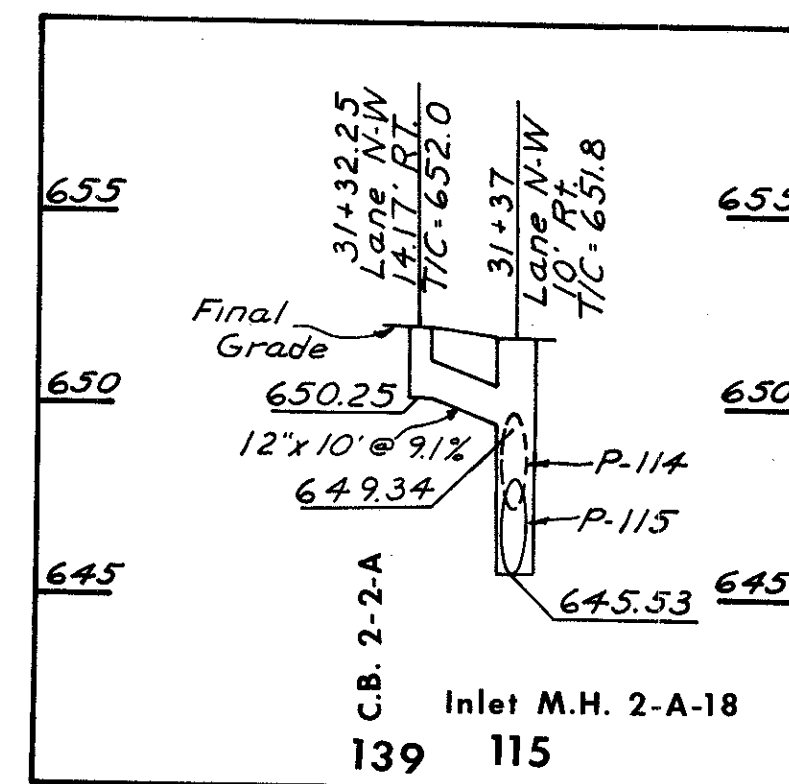
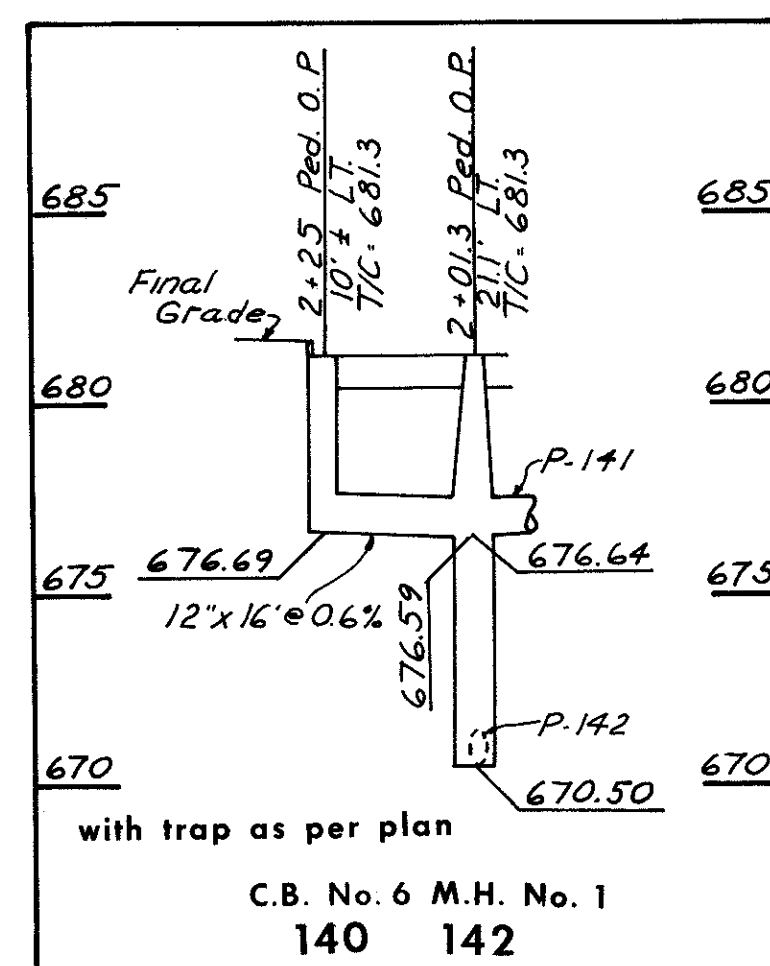


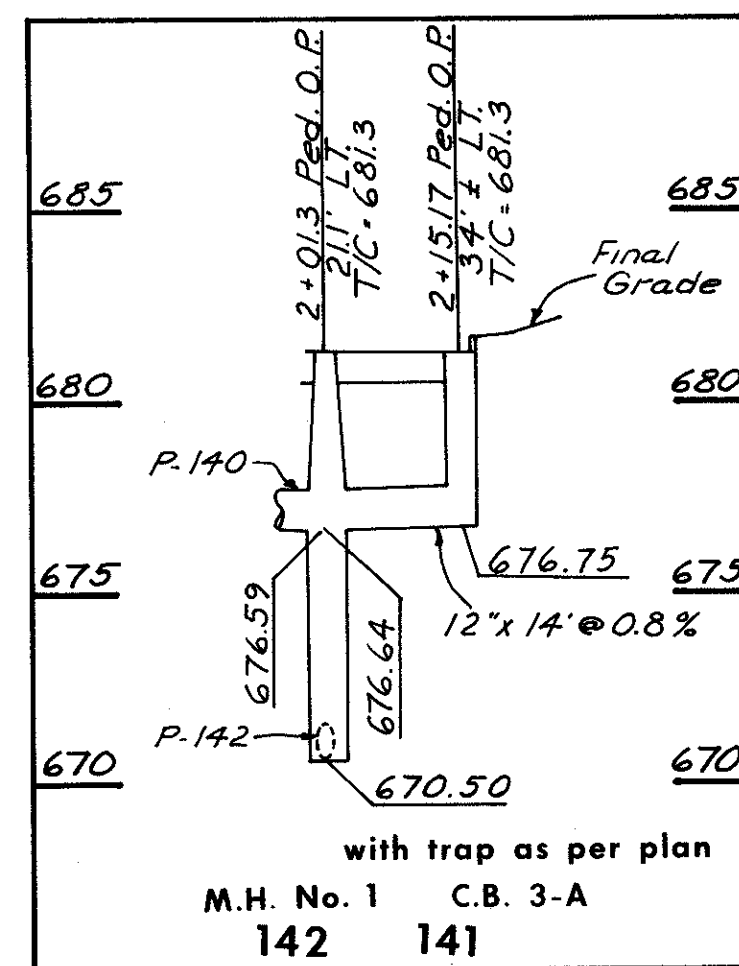
CUYAHOGA COUNTY  
CITY OF CLEVELAND  
MEDINA-CLARK INTERCHANGE  
CUY-71-18.54  
CUY-90-13.81



**P-139**  
CLASS E-1



**P-140**  
CLASS B-1

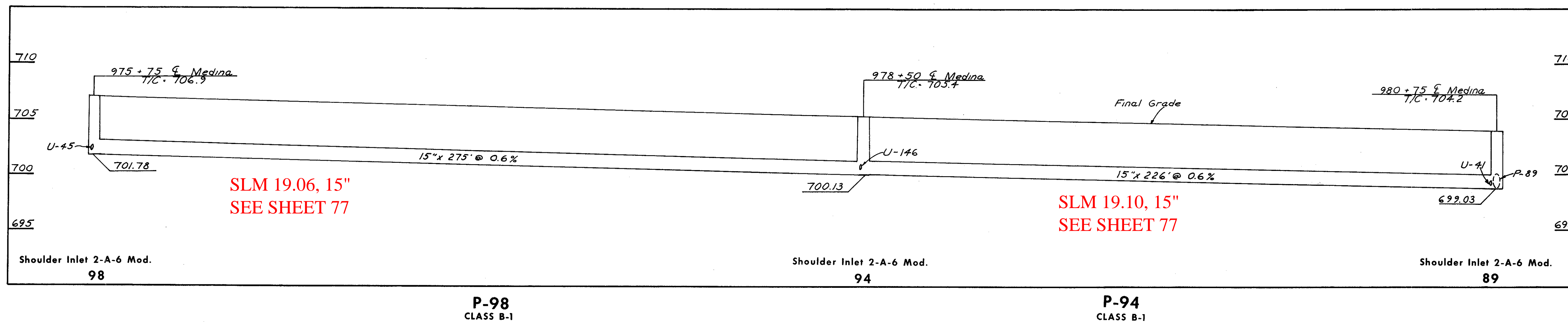


**P-141**  
CLASS B-1

ESTIMATED QUANTITIES

I-8 STRUCTURES					
CODE	LOCATION	Shoulder Inlet 2-A-6 Mod.	C.B. No. 2-2-A	C.B. 3-A	M.H. No. 1 C.B. 6
94	980+75 Medina Freeway	1			
98	978+50 Medina Freeway	1			
139	31+32.25 Lane N-W 14.17' RT.*		1*		
140	2+25 Pedestrian O.P. 10' LT.				1
141	2+15.17 Pedestrian O.P. 34' LT.			1	
142	2+01.30 Pedestrian O.P. 21' LT.				1
CUY-71-18.54 TOTALS		2		1	1
CUY-90-13.81 TOTALS			1*		

CODE	ROADWAY	INLET CODE		I-1 PIPE		
		FROM	TO	CLASS B-1 12"	CLASS B-1 15"	CLASS E-1 12"
P-94	Medina Freeway	94	89		226'	
P-98	Medina Freeway	98	94		275'	
P-139	Lane N-W *	139	115			10' *
P-140	P.O. Bridge	140	142	16'		
P-141	P.O. Bridge	141	142	14'		
CUY-71-18.54 TOTALS				30'	501'	
CUY-90-13.81 TOTALS						10' *



**P-98**  
CLASS B-1

**P-94**  
CLASS B-1