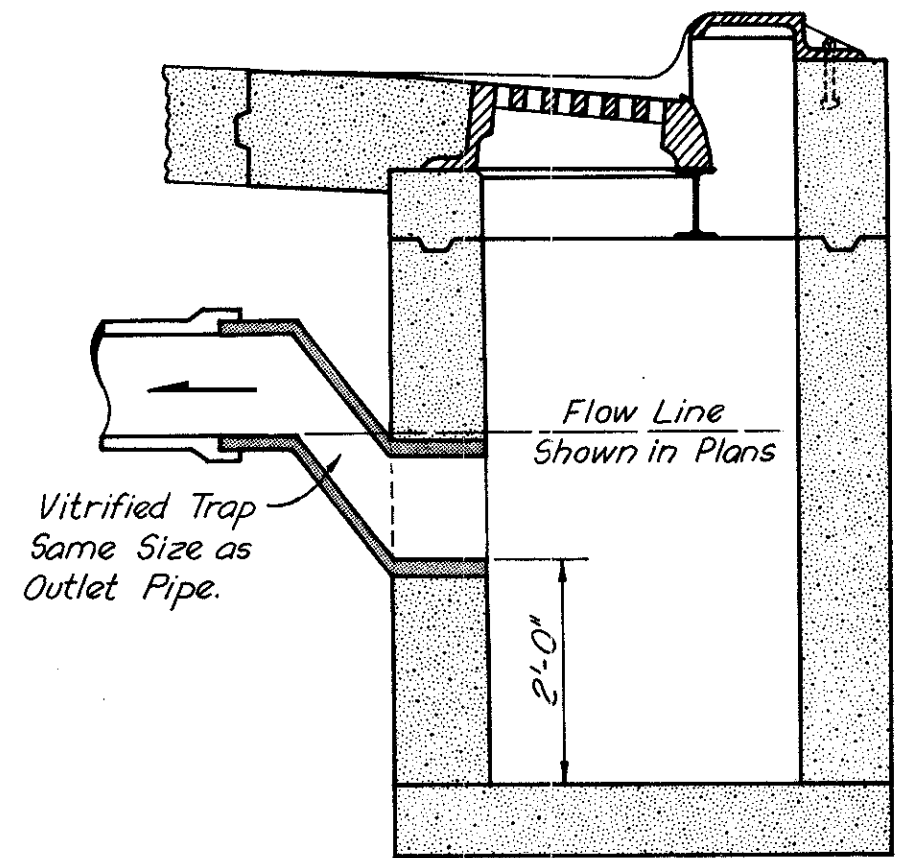
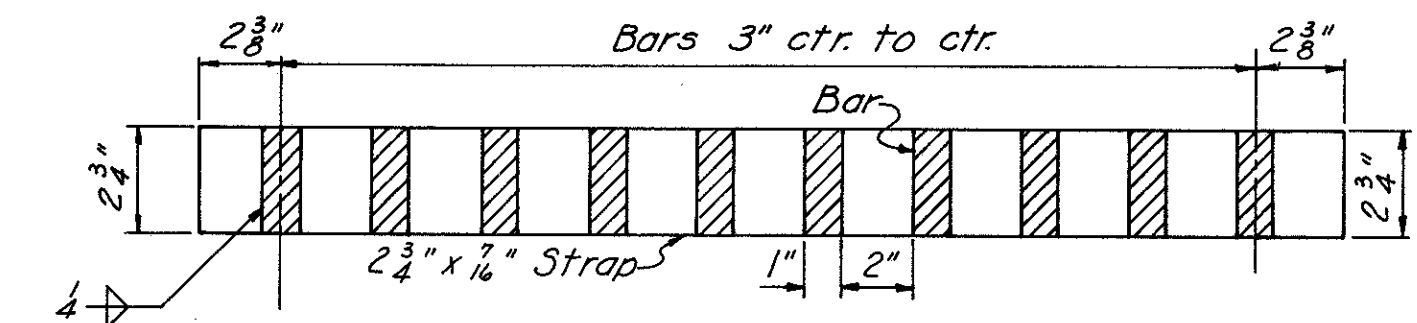


CUYAHOGA COUNTY
CITY OF CLEVELAND
MEDINA-CLARK INTERCHANGE
CUY- 71-18.54
CUY- 90-13.81

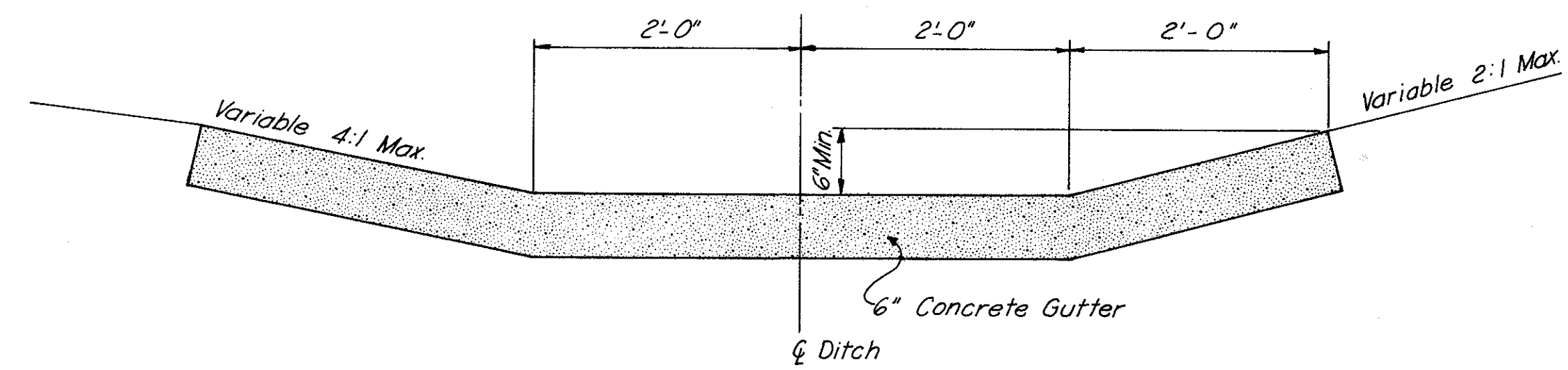


CATCH BASIN OR INLET WITH TRAP

Notes:
The trap and sump details shown on this drawing are applicable to all catch basins or inlets noted in these plans as being "with trap".
All catch basin or inlet details not shown shall conform to the details shown on the appropriate Standard Drawing.
The unit price paid per each for all catch basins or inlets noted as being "With Trap, As per Plan" shall constitute full compensation for labor, materials, tools and incidentals necessary to complete the work as set forth in Sec. 1-8.10 of the Standard Specifications.

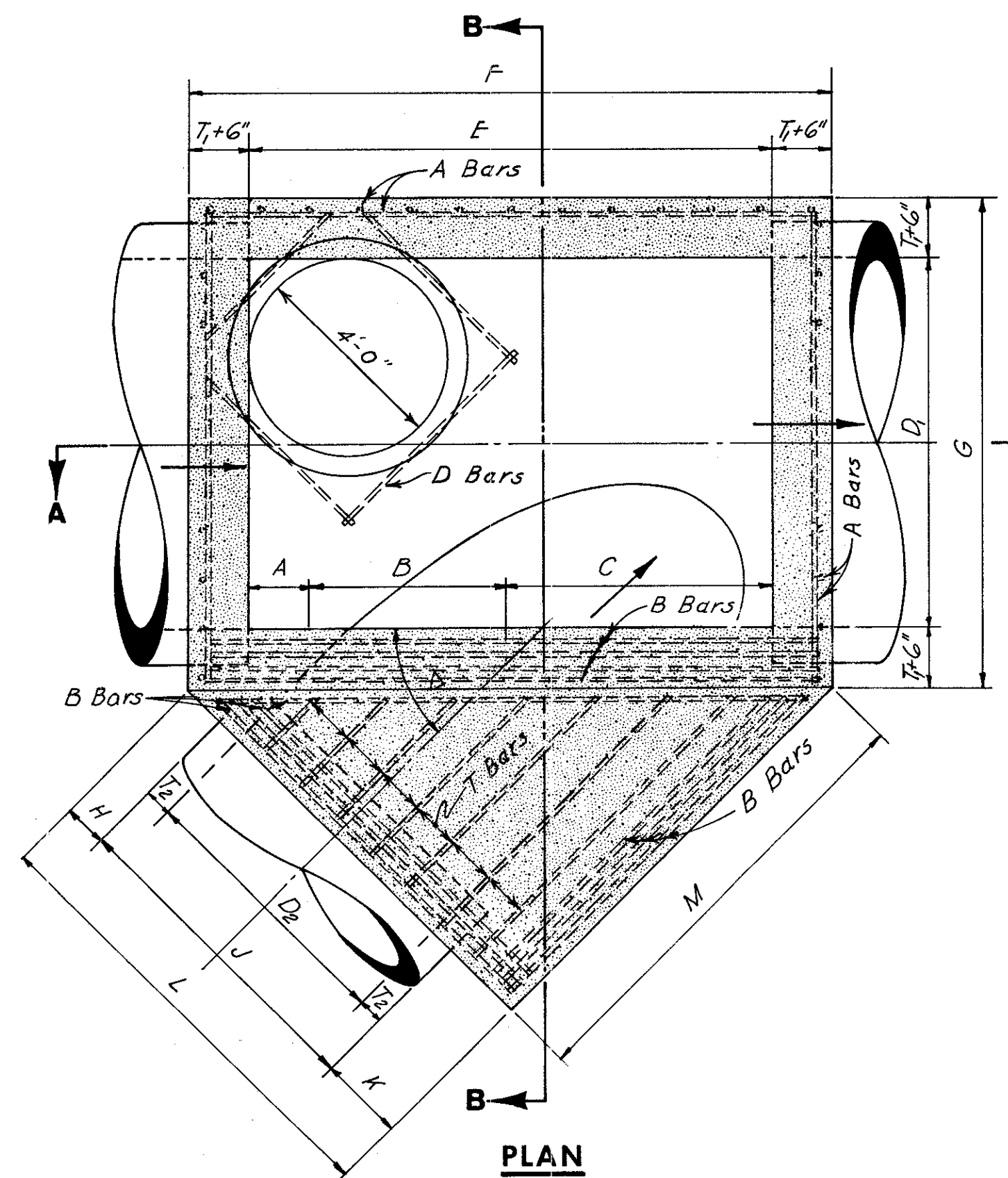


SECTION THRU GRATE
MODIFIED GRATE
Scale: 3/16"=0'-1"

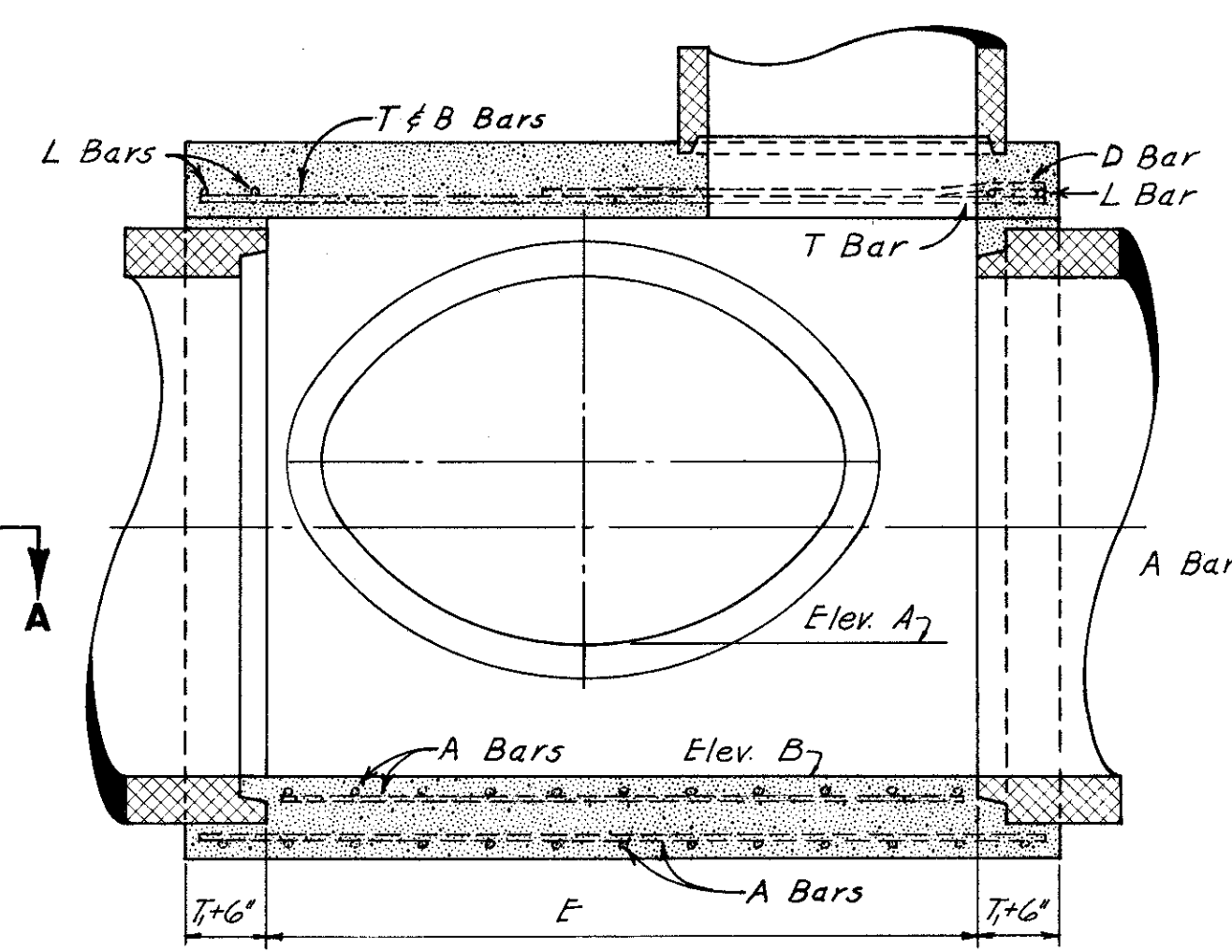


MODIFIED APRON
Scale: 1"=1'-0"

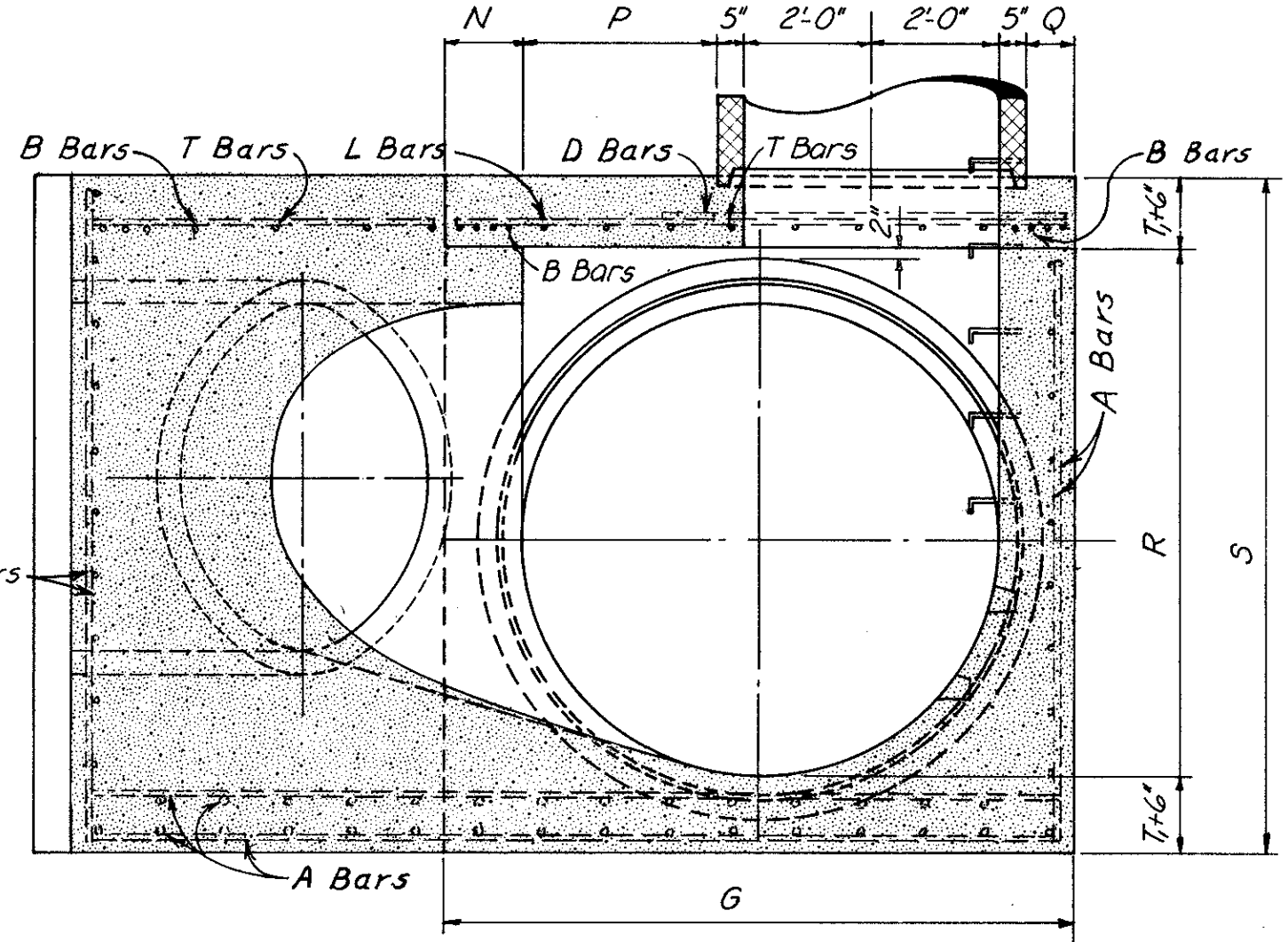
STANDARD NO. 5 CATCH BASIN MODIFICATIONS



PLAN



SECTION A-A



SECTION B-B

STANDARD NO. 1-A MANHOLE, MODIFIED

Scale: 3/8"=1'-0"

DIMENSION TABLE

D ₁	66"	72"	90"	90"
D ₂	66"	66"	48"	30"
T ₁	0'-6 1/2"	0'-7"	0'-8 1/2"	0'-8 1/2"
T ₂	0'-6 1/2"	0'-6 1/2"	0'-5"	0'-3 1/2"
A	1'-0 1/2"	1'-1"	1'-2 1/2"	1'-2 1/2"
B	3'-7 3/8"	3'-6 3/8"	2'-2 1/2"	0'-11 1/16"
C	5'-9 1/8"	5'-9 1/8"	4'-8 1/2"	2'-2 1/2"
E	14'-8 1/16"	10'-5 1/2"	8'-1 1/2"	5'-6 1/16"
F	16'-9 1/16"	12'-7 1/2"	10'-6 1/2"	7'-11 1/16"
G	7'-7"	8'-2"	9'-11"	9'-11"
H	0'-6 3/8"	0'-9 3/8"	0'-10 1/4"	0'-10 1/4"
J	6'-7"	6'-7"	4'-10"	3'-1"
K	1'-6 3/16"	1'-6 1/16"	1'-9 3/16"	1'-8 3/16"
L	8'-6 1/2"	8'-11 1/16"	7'-5 1/2"	5'-7 1/16"
M	14'-5 3/4"	8'-11 1/8"	7'-5 7/16"	5'-7 1/16"
N	1'-0 1/2"	1'-1"	1'-2 1/2"	1'-2 1/2"
P	1'-1"	1'-7"	3'-1"	3'-1"
Q	0'-7 1/2"	0'-8"	0'-9 1/2"	0'-9 1/2"
R	6'-2 1/2"	6'-9"	8'-4 1/2"	8'-4 1/2"
S	8'-3 1/2"	8'-11"	10'-8 1/2"	10'-8 1/2"
Elev. A	638.68	625.17	617.45	617.25
Elev. B	638.68	624.67	613.95	612.25
Δ	30°31'48"	45°00'	45°00'	45°00'

Note:
Reinforcing bars and other details not shown hereon will be as per Standard No. 1-A Manhole.

SCALE: As Shown
MADE: NAK DATE: 10-20-64
TRCD: NAK DATE: 10-20-64
CKD: CTS DATE: 10-26-64
HOWARD, NEEDLES, TAMMEN & BERGENDOFF
CONSULTING ENGINEERS
KANSAS CITY CLEVELAND NEW YORK