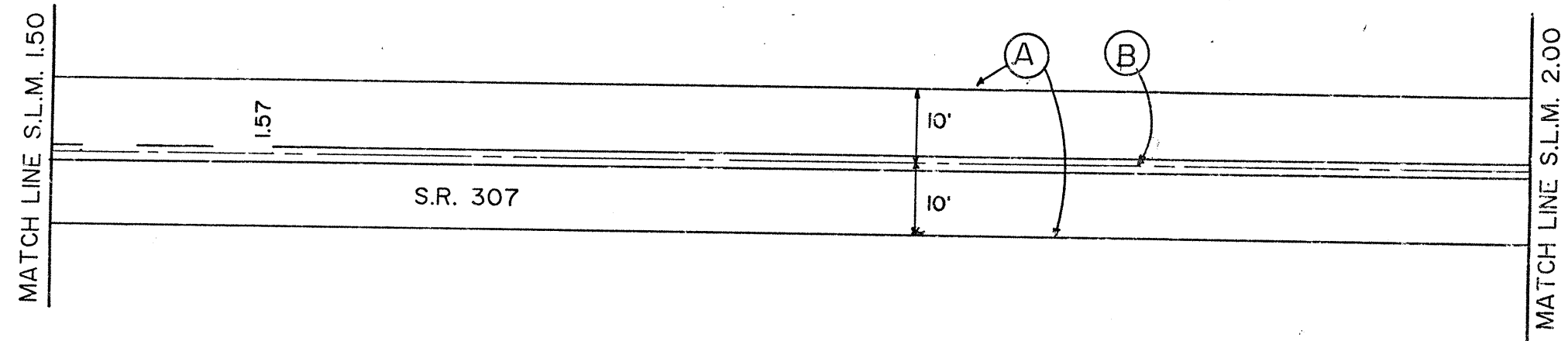


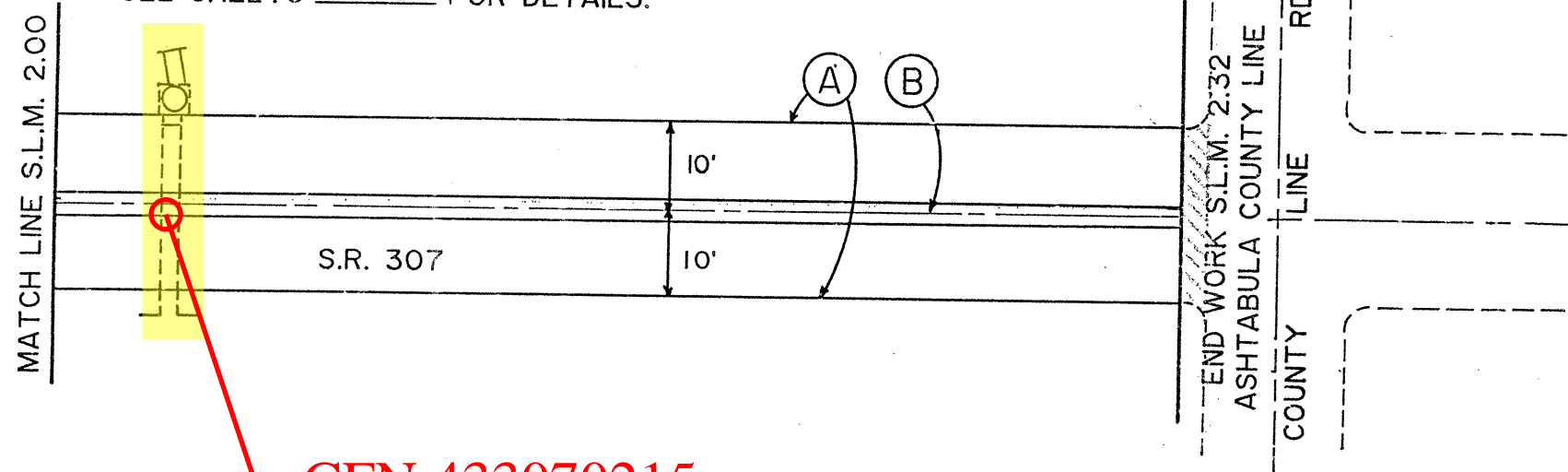
PLAN NO.
107

19
55

LAKE COUNTY
LAK-307-0.00
LAK-528-0.00



REMOVE EXISTING CATCH BASIN
REPLACE WITH MANHOLE NO. MH-3
SEE SHEETS 24-26 FOR DETAILS.



N

CFN 433070215
SLM 2.05, 15" & 21"
SEE SHEET 25 AND 26

PAVEMENT MARKING LEGEND
(A) EDGE LINE
(B) CENTER LINE