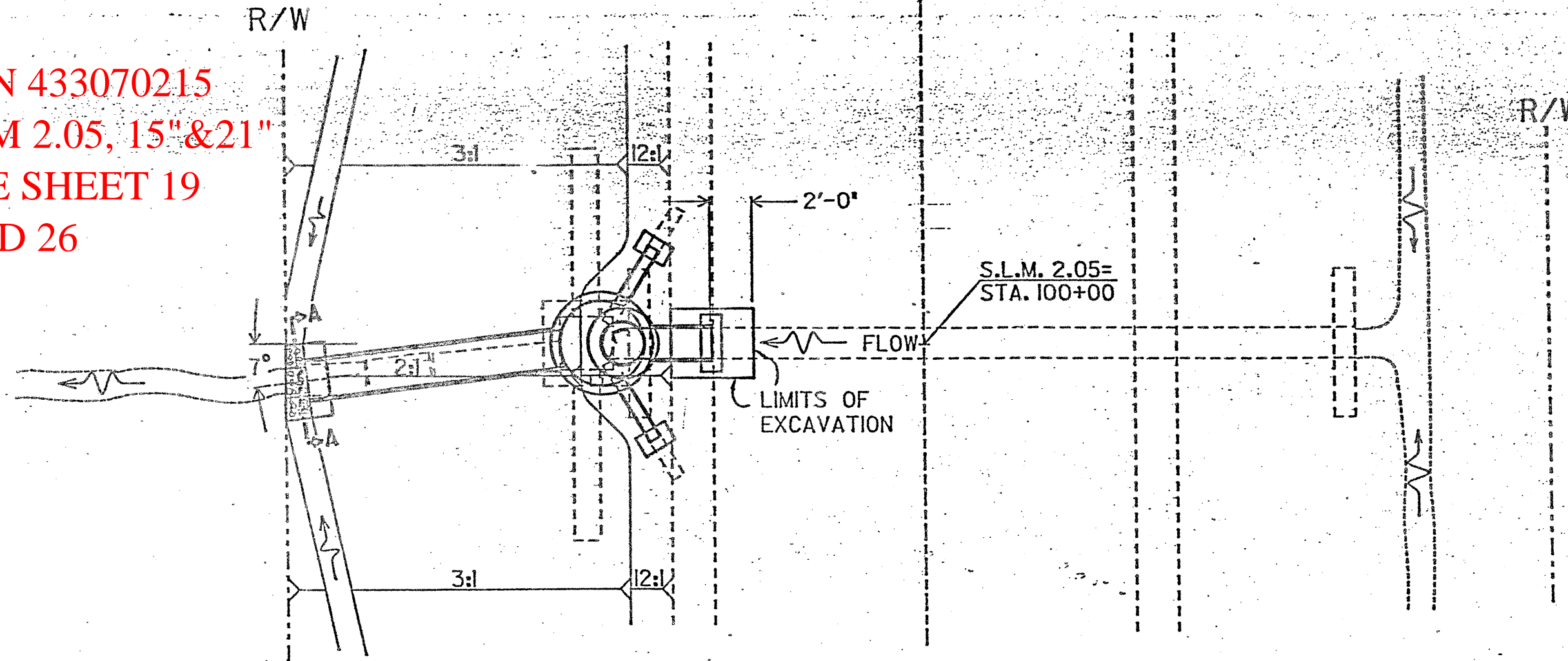
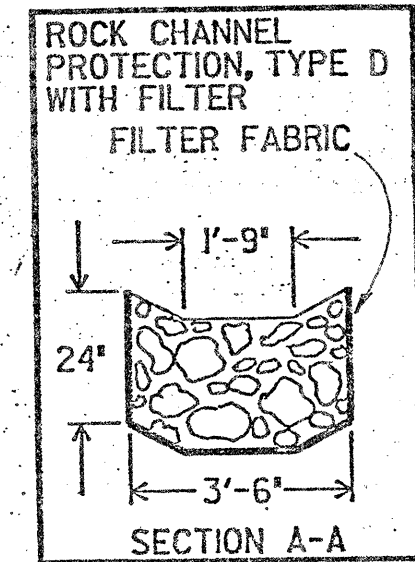
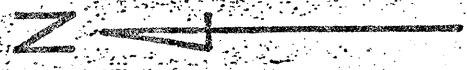


CFN 433070215
SLM 2.05, 15" & 21"
SEE SHEET 19
AND 26



PLAN VIEW

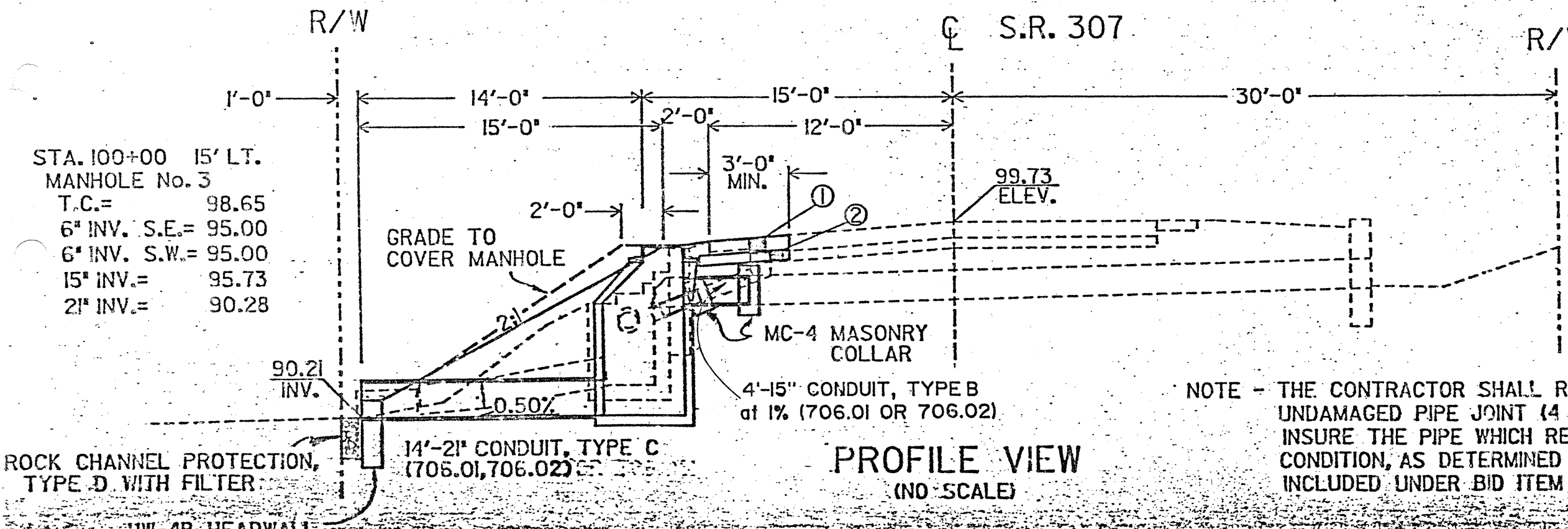


TRENCH REPAIR LEGEND

- ① ITEM 301 - 8" BITUMINOUS AGGREGATE BASE, 6" MAX. LIFTS
- ② ITEM 304 - 6" AGGREGATE BASE, AS PER PLAN

REFERENCE STATIONING:
S.L.M. 2.05 = STA. 100+00

REFERENCE ELEVATION:
TBM @ SPIKE NORTH SIDE OF
ELECTRIC POLE, SOUTH OF S.R. 307
5 FT. WEST OF ☉ CULVERT.
ELEV. = 100 FT.



PROFILE VIEW
(NO SCALE)

NOTE - THE CONTRACTOR SHALL REMOVE THE EXISTING PIPE TO AN UNDAMAGED PIPE JOINT (4 FT. MAX.). CARE SHALL BE TAKEN TO INSURE THE PIPE WHICH REMAINS IS LEFT UNDISTURBED AND IN GOOD CONDITION, AS DETERMINED BY THE ENGINEER. THIS WORK SHALL BE INCLUDED UNDER BID ITEM 202 - HEADWALL REMOVED.