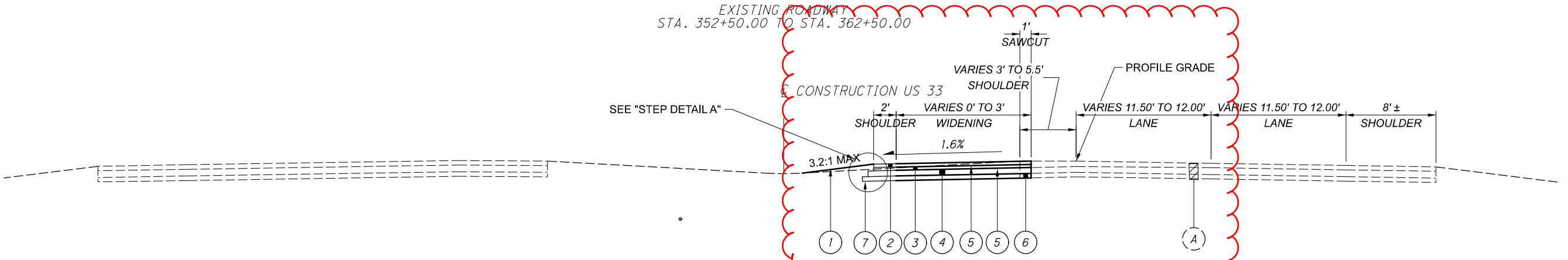


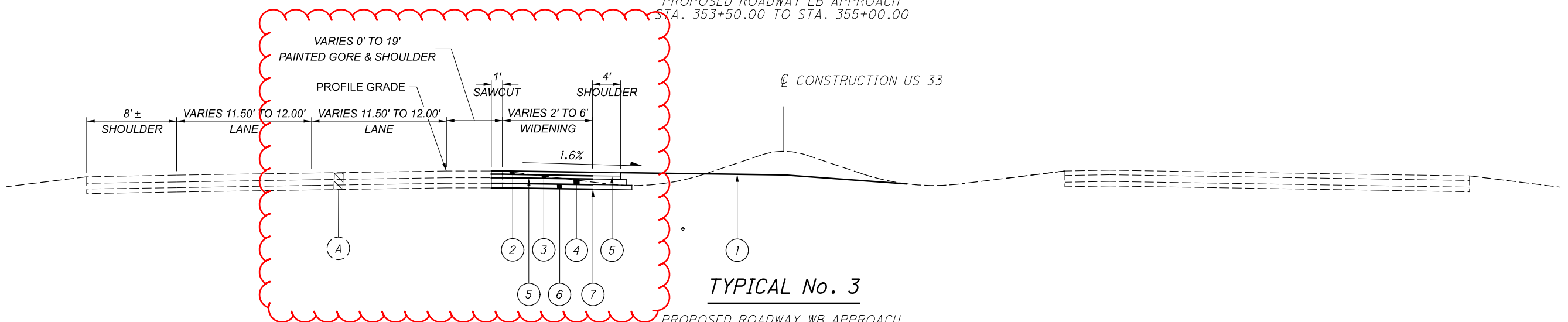
**TYPICAL No. 1**

EXISTING ROADWAY  
 STA. 352+50.00 TO STA. 362+50.00



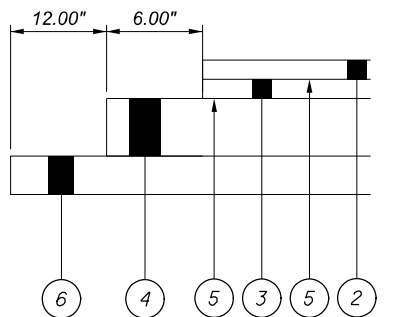
**TYPICAL No. 2**

PROPOSED ROADWAY EB APPROACH  
 STA. 353+50.00 TO STA. 355+00.00



**TYPICAL No. 3**

PROPOSED ROADWAY WB APPROACH  
 STA. 355+50.00 TO STA. 362+50.00



STEP DETAIL A

**LEGEND**

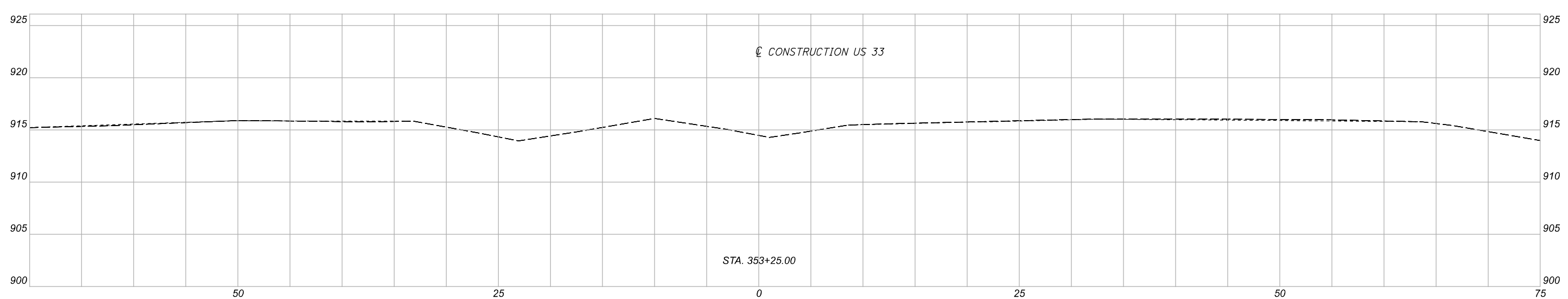
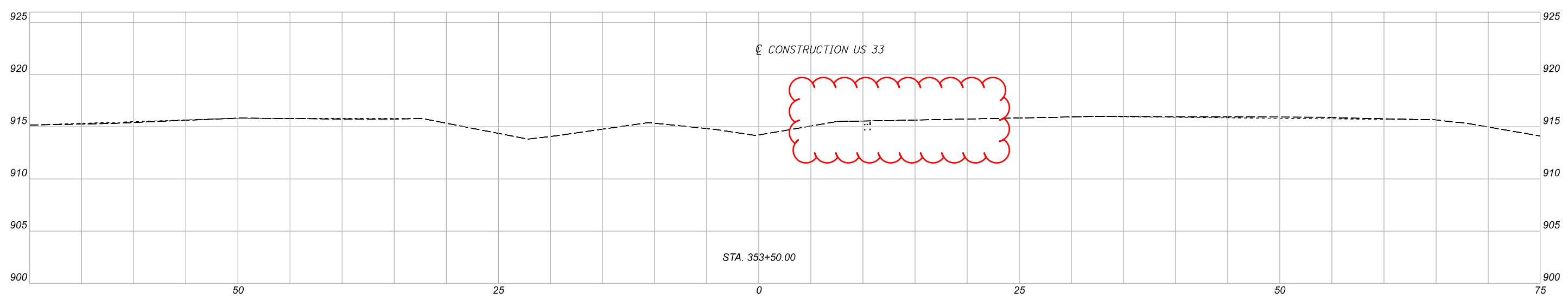
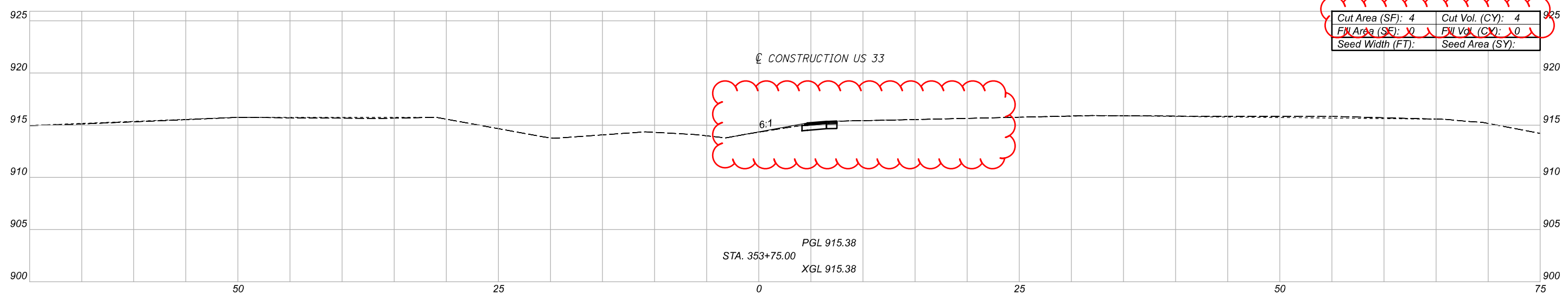
- (A) EX. PAVEMENT, ±15.5" TOTAL PAVEMENT THICKNESS
- (1) ITEM 659 - SEEDING AND MULCHING
- (2) ITEM 441 - AC SURFACE COURSE, 1.5", TYPE 1, (448), PG70-22M
- (3) ITEM 441 - AC SURFACE COURSE, 1.5", TYPE 1, (448), PG70-22M
- (4) ITEM 301 - ASPHALT CONCRETE BASE, 9", PG64-22
- (5) ITEM 407 - NON-TRACKING TACK COAT (0.055 GAL/SY)
- (6) ITEM 304 - 6" AGGREGATE BASE
- (7) ITEM 204 - SUBGRADE COMPACTION

AUG-33-7.08

MODEL: Sheet PAPER SIZE: 17x11 (in.) DATE: 3/28/2022 TIME: 1:30:38 PM USER: bcao pwc:\hhd\pc-pw-bentley.com\hhd\pc-pw-02\Documents\071 Active Projects\Design\071Aug12\11369240C-Engineering\Roadway\Sheets\113692\_GG001.dgn

SHEET NUM.										PART.		ITEM	ITEM EXT	GRAND TOTAL	UNIT	DESCRIPTION	SEE SHEET NO.
										01/SAF/OT							
<b>ROADWAY</b>																	
			4	5		9	25	26			LS	202	11200	LS		PORTIONS OF STRUCTURE REMOVED	
						89					89	202	23000	89	SY	PAVEMENT REMOVED	
											860	203	10000	860	CY	EXCAVATION	
											30	203	20000	30	CY	EMBANKMENT	
						1,073					1,073	204	10000	1,073	SY	SUBGRADE COMPACTION	
			103								103	204	13000	103	CY	EXCAVATION OF SUBGRADE	
			103								103	204	30020	103	CY	GRANULAR MATERIAL, TYPE C	
						2					2	204	45000	2	HOUR	PROOF ROLLING	
						11					11	204	50000	11	SY	GEOTEXTILE FABRIC	
<b>EROSION CONTROL</b>																	
			2,550								2,550	659	10000	2,550	SY	SEEDING AND MULCHING	
			0.34								0.34	659	20000	0.34	TON	COMMERCIAL FERTILIZER	
			0.01								0.01	659	35000	0.01	MGAL	WATER	
											1,000	832	30000	1,000	EACH	EROSION CONTROL	
<b>PAVEMENT</b>																	
						820					820	252	01500	820	FT	FULL DEPTH PAVEMENT SAWING	
						257					257	301	46000	257	CY	ASPHALT CONCRETE BASE, PG64-22	
						179					179	304	20000	179	CY	AGGREGATE BASE	
						109					109	407	20000	109	GAL	NON-TRACKING TACK COAT (0.055 GAL/SY)	
						82					82	441	50100	82	CY	ASPHALT CONCRETE SURFACE COURSE, TYPE 1, (448), PG70-22M	
<b>TRAFFIC CONTROL</b>																	
							27				27	621	00100	27	EACH	RPM	
								279			279	630	03100	279	FT	GROUND MOUNTED SUPPORT, NO. 3 POST	
								6			6	630	08600	6	EACH	SIGN POST REFLECTOR	
								40			40	630	80100	40	SF	SIGN, FLAT SHEET	
								7			7	630	85100	7	EACH	REMOVAL OF GROUND MOUNTED SIGN AND REERECTION	
									14		14	630	86002	14	EACH	REMOVAL OF GROUND MOUNTED POST SUPPORT AND DISPOSAL	
							0.16				0.16	644	00104	0.16	MILE	EDGE LINE, 6"	
							1,033				1,033	644	00400	1,033	FT	CHANNELIZING LINE, 8"	
							57				57	644	00900	57	SF	ISLAND MARKING, WHITE	
							8				8	644	01300	8	EACH	LANE ARROW	
<b>MAINTENANCE OF TRAFFIC</b>																	
						32					32	614	11110	32	HOUR	LAW ENFORCEMENT OFFICER WITH PATROL CAR FOR ASSISTANCE	
											LS	614	12420	LS		DETOUR SIGNING	
<b>INCIDENTALS</b>																	
											LS	614	11000	LS		MAINTAINING TRAFFIC	
											LS	623	10000	LS		CONSTRUCTION LAYOUT STAKES AND SURVEYING	
											LS	624	10000	LS		MOBILIZATION	

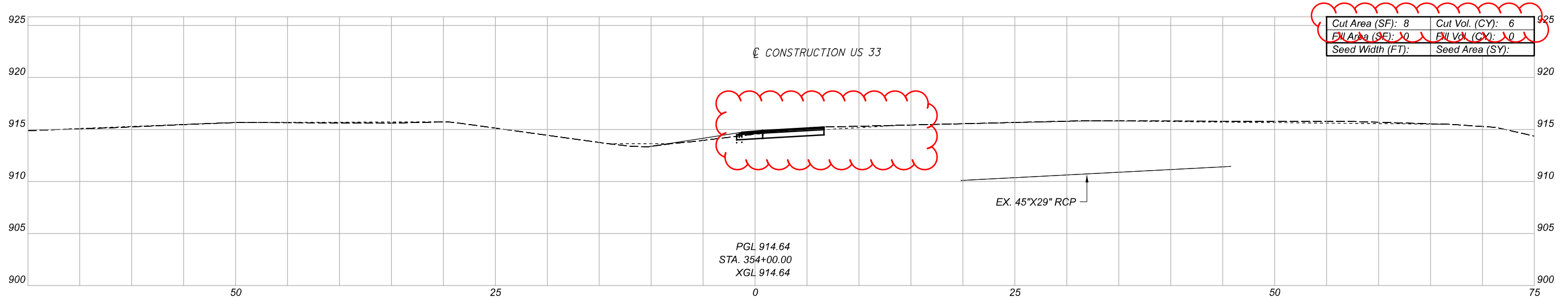
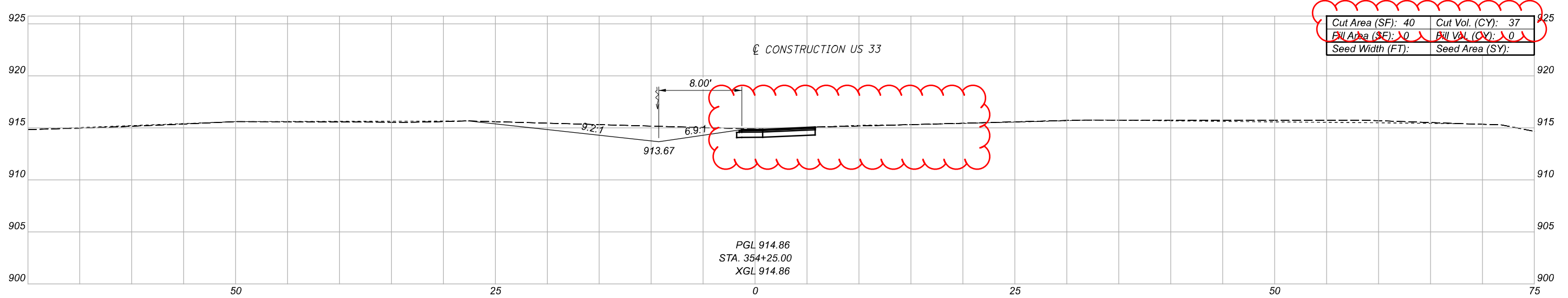
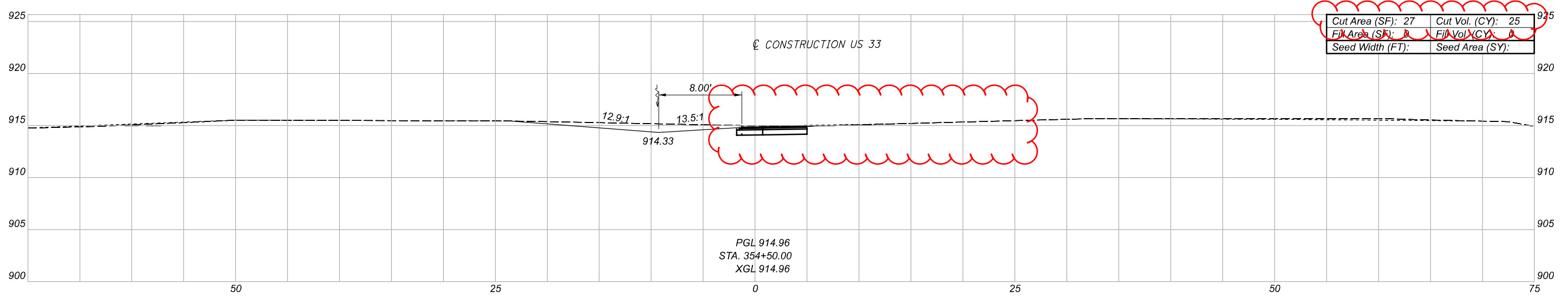
GENERAL SUMMARY



CROSS SECTIONS  
 STA. 353+25.00 TO STA. 353+75.00

DESIGN AGENCY
DESIGNER
BTC
REVIEWER
CWW 11/24/21
PROJECT ID
113692
SHEET TOTAL
P.12 P.28

Sheet Totals		
Seeding	Cut	Fill
.	.	.



CROSS SECTIONS  
 STA. 354+00.00 TO STA. 354+50.00

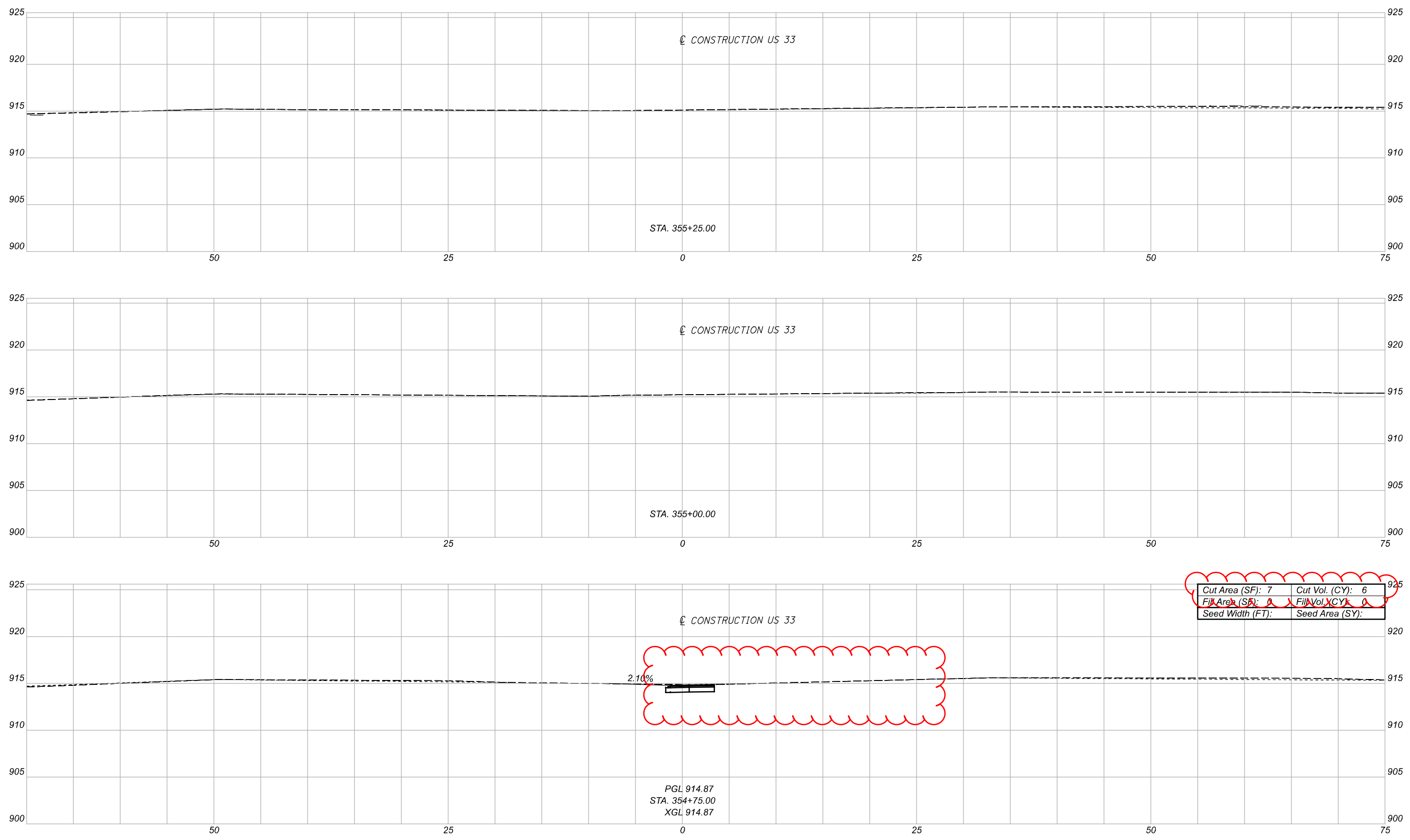
DESIGN AGENCY

DESIGNER  
 BTC

REVIEWER  
 CWW 11/24/21

PROJECT ID  
 113692

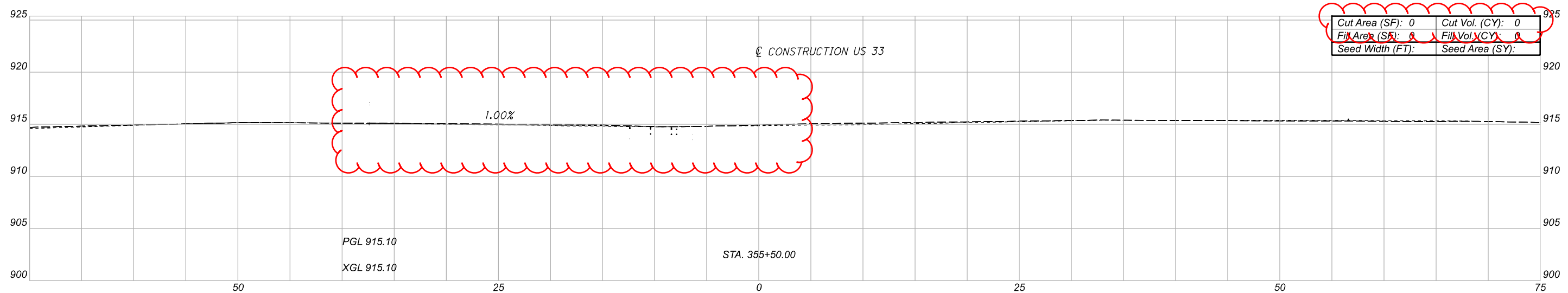
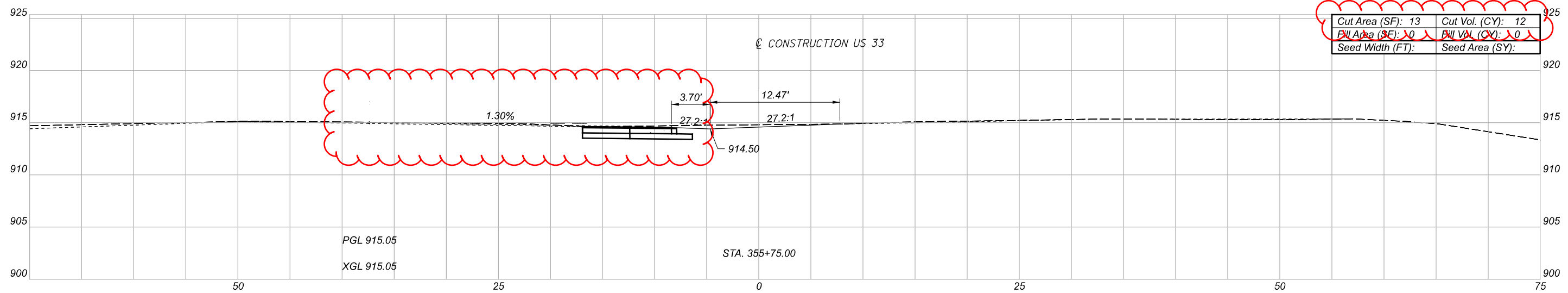
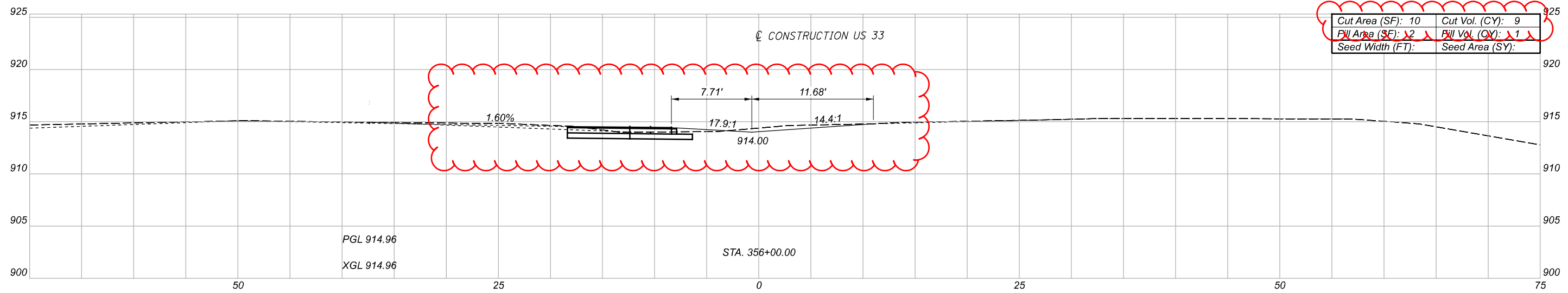
Sheet Totals			SHEET	TOTAL
Seeding	Cut	Fill		
.	.	.	P.13	P.28



CROSS SECTIONS  
STA. 354+75.00 TO STA. 355+25.00

DESIGN AGENCY	
DESIGNER	BTC
REVIEWER	CWW 11/24/21
PROJECT ID	113692
SHEET	P.14
TOTAL	P.28

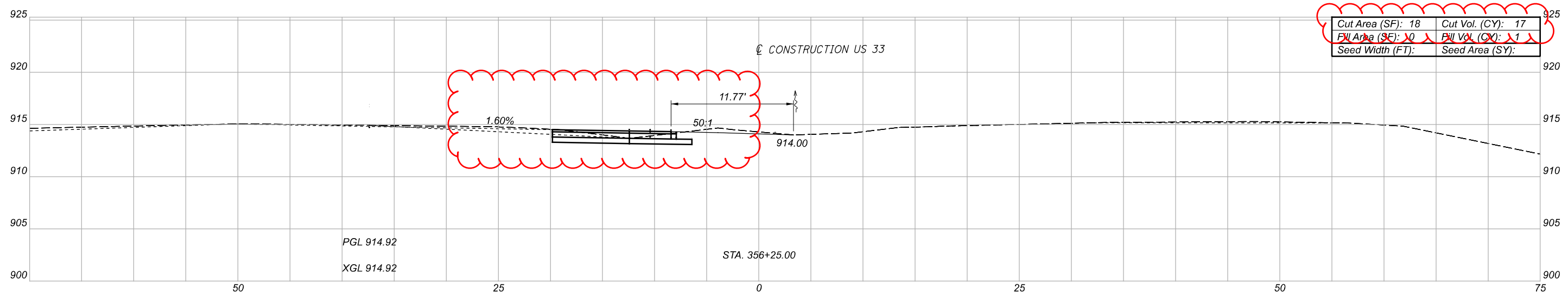
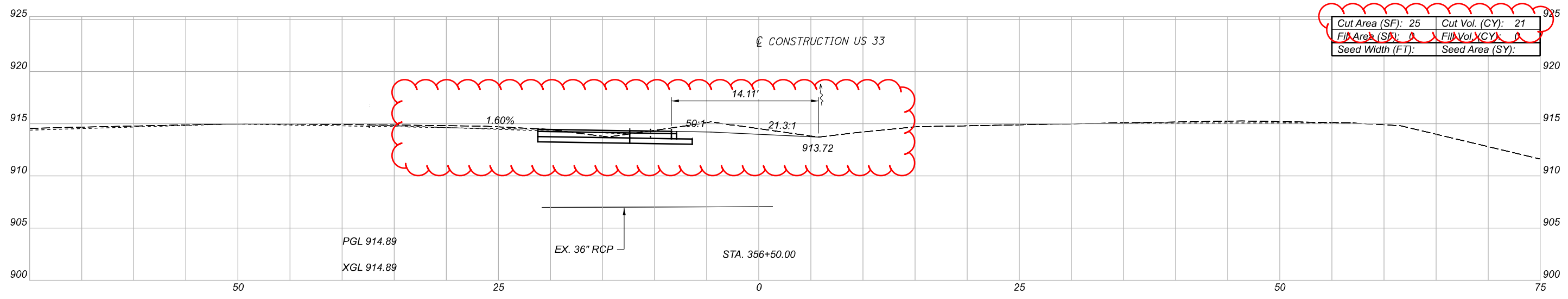
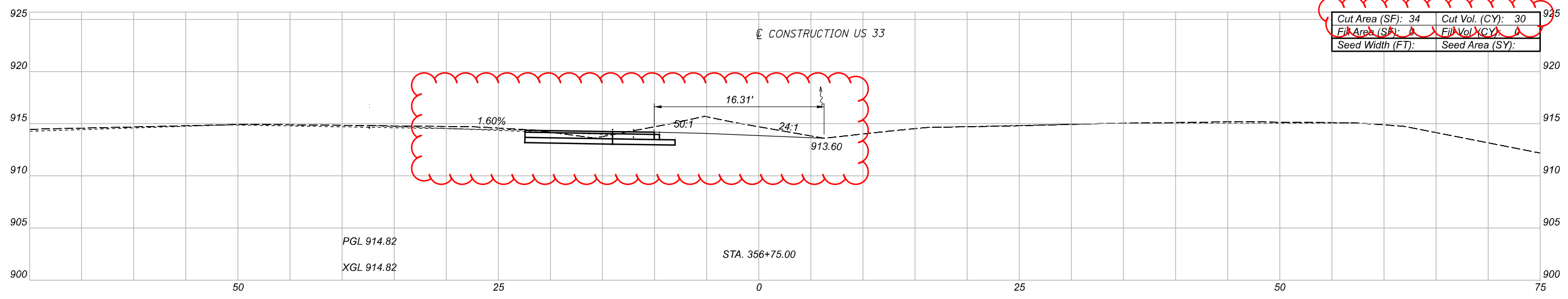
Sheet Totals		
Seeding	Cut	Fill
.	.	.



CROSS SECTIONS  
 STA. 355+50.00 TO STA. 356+00.00

DESIGN AGENCY	
DESIGNER	BTC
REVIEWER	CWW 11/24/21
PROJECT ID	113692
SHEET TOTAL	P.15 P.28

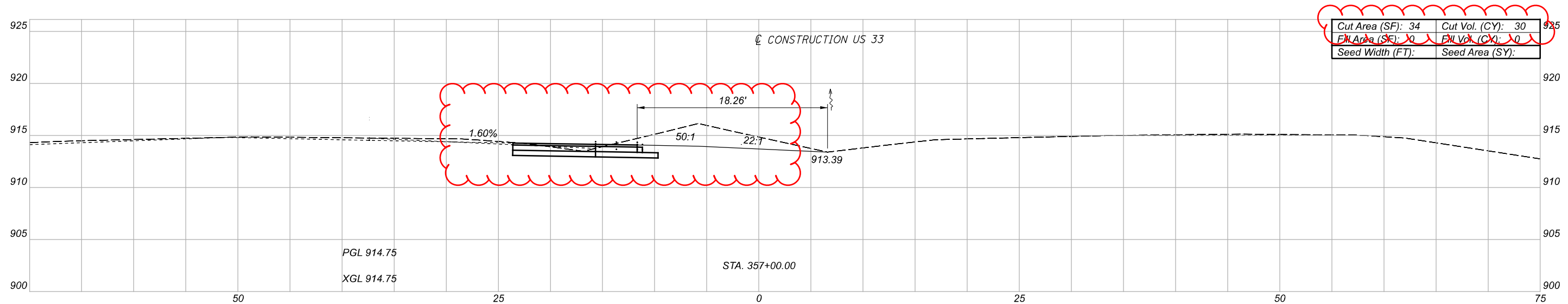
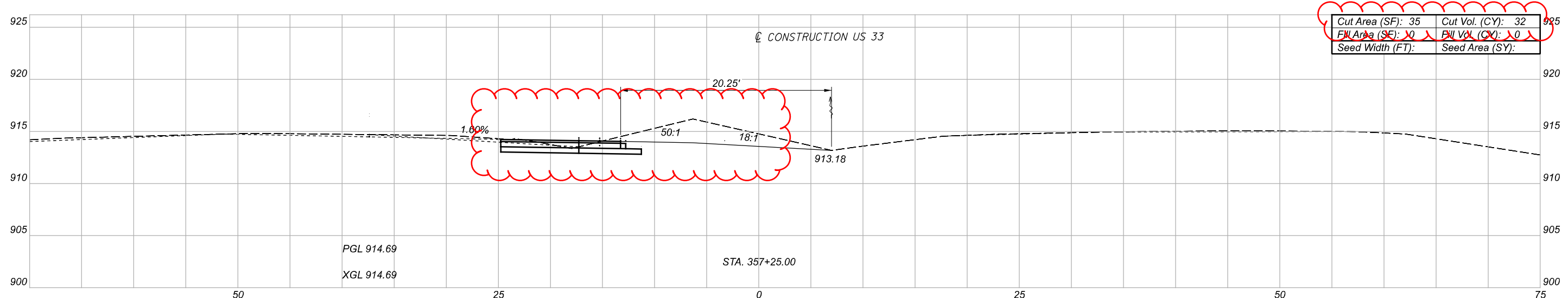
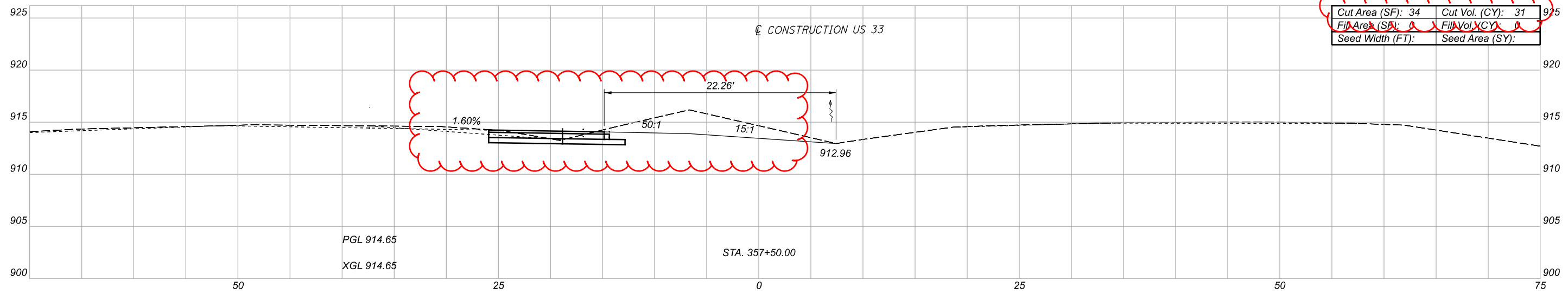
Sheet Totals		
Seeding	Cut	Fill
.	.	.



CROSS SECTIONS  
 STA. 356+25.00 TO STA. 356+75.00

DESIGN AGENCY	
DESIGNER	BTC
REVIEWER	CWW 11/24/21
PROJECT ID	113692

Sheet Totals		
Seeding	Cut	Fill
.	.	.
SHEET P.16	TOTAL P.28	

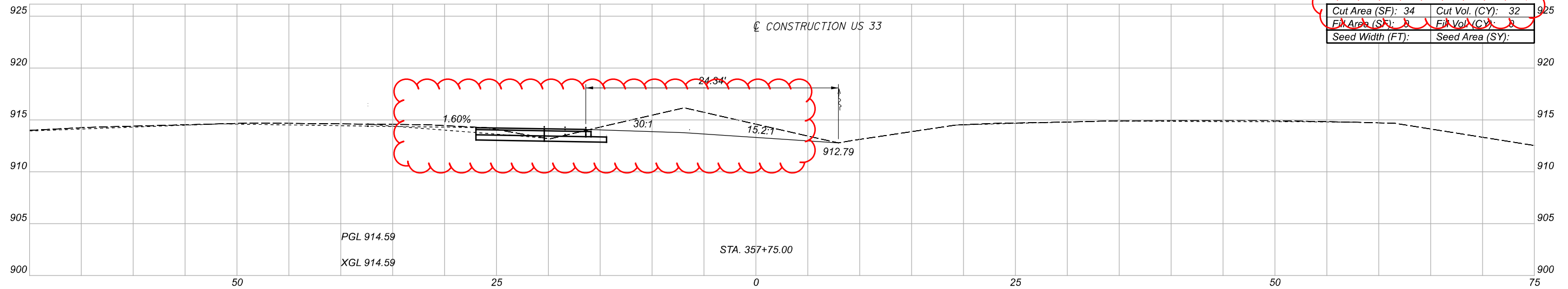
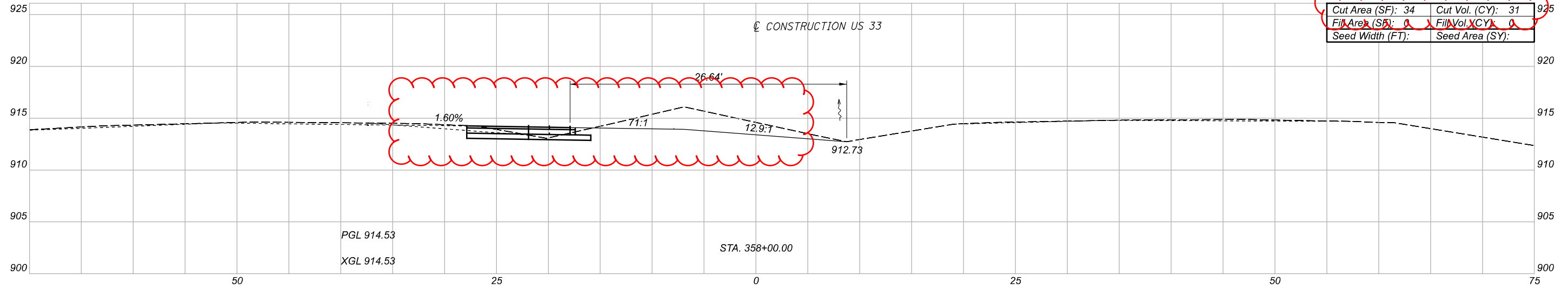
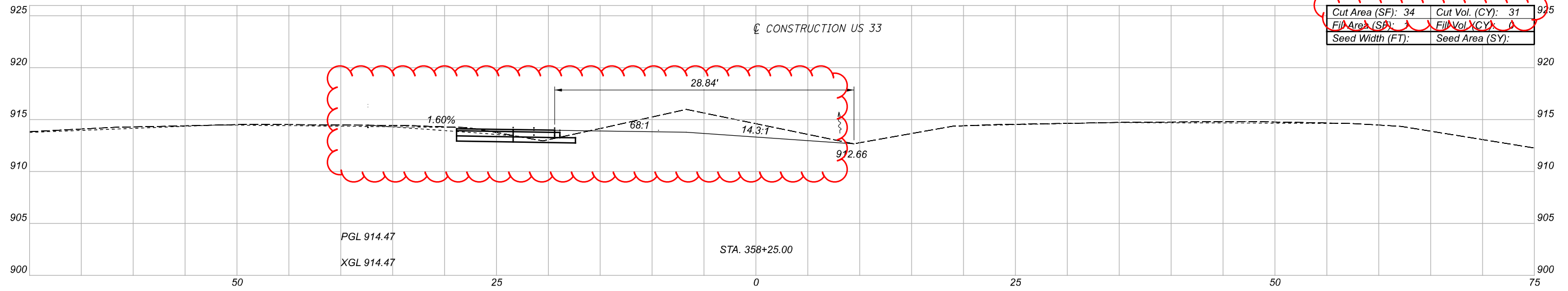


CROSS SECTIONS  
 STA. 357+00.00 TO STA. 357+50.00

DESIGN AGENCY	
DESIGNER	BTC
REVIEWER	CWW 11/24/21
PROJECT ID	113692
SHEET TOTAL	P.17 P.28

Sheet Totals		
Seeding	Cut	Fill
.	.	.





CROSS SECTIONS  
 STA. 357+75.00 TO STA. 358+25.00

DESIGN AGENCY

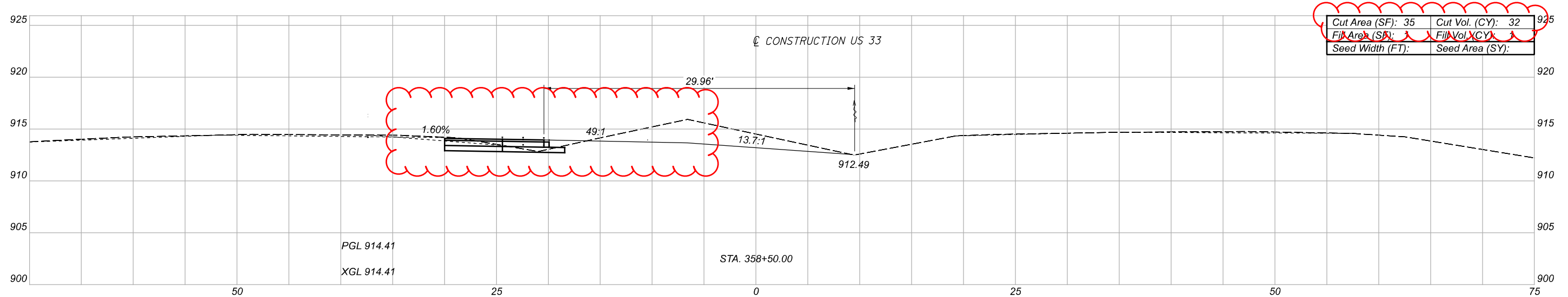
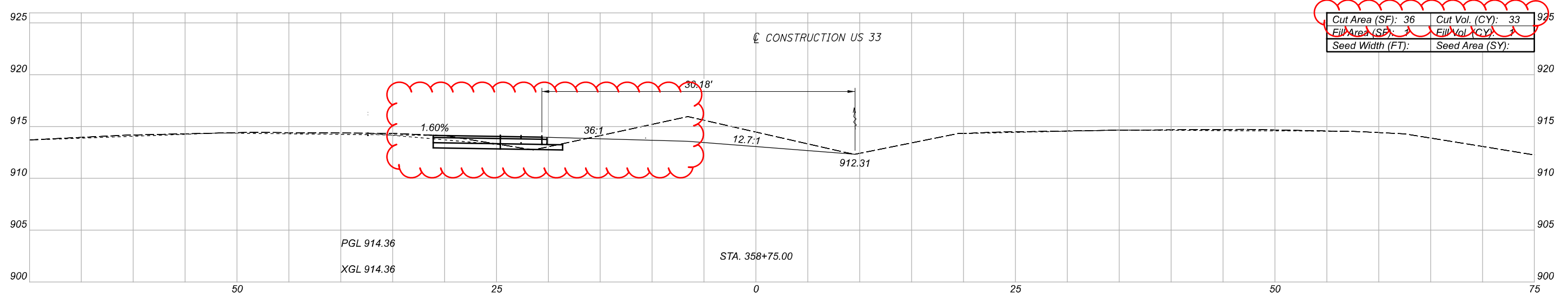
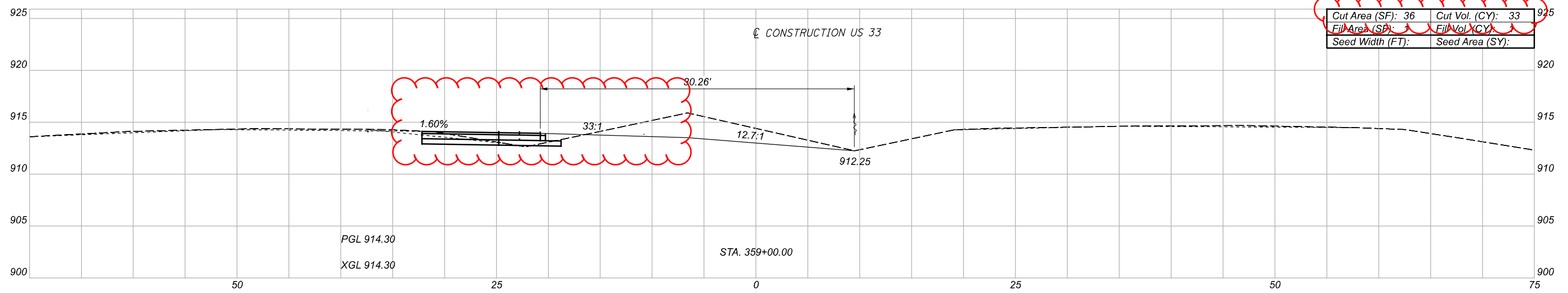
DESIGNER  
 BTC

REVIEWER  
 CWW 11/24/21

PROJECT ID  
 113692

Sheet Totals		
Seeding	Cut	Fill
.	.	.

SHEET	TOTAL
P.18	P.28



CROSS SECTIONS  
 STA. 358+50.00 TO STA. 359+00.00

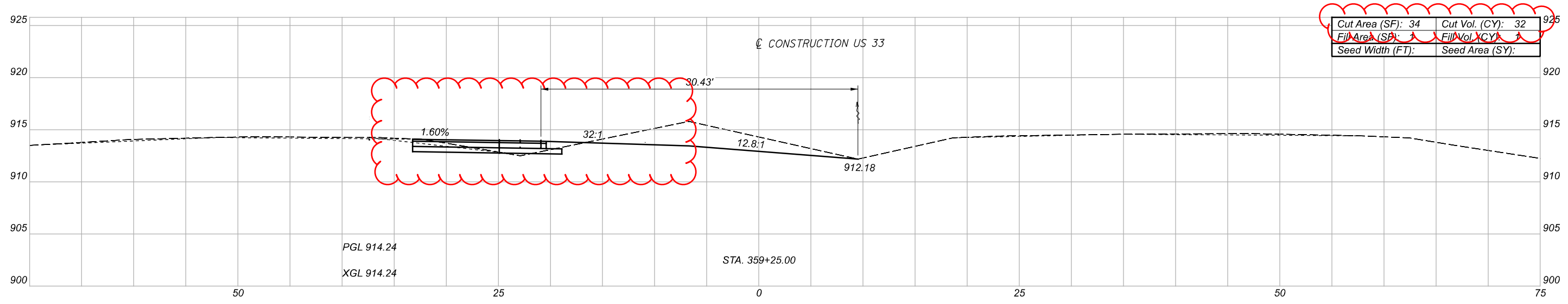
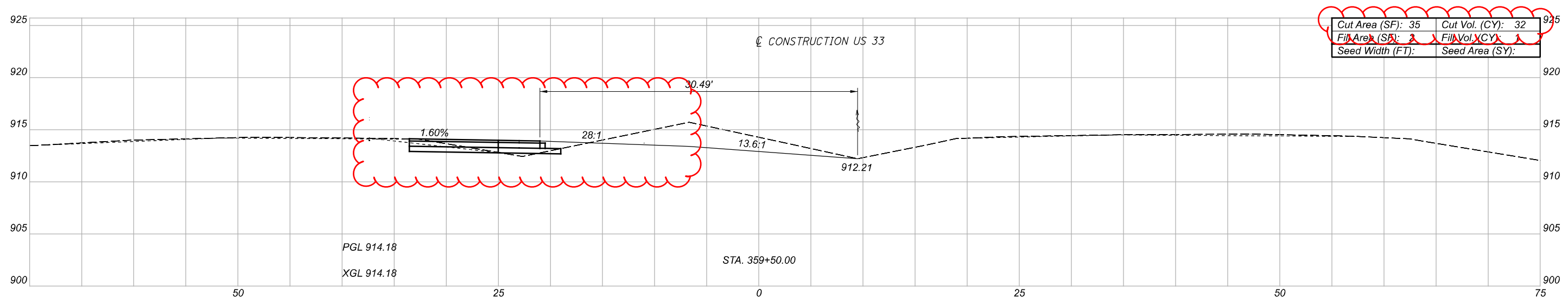
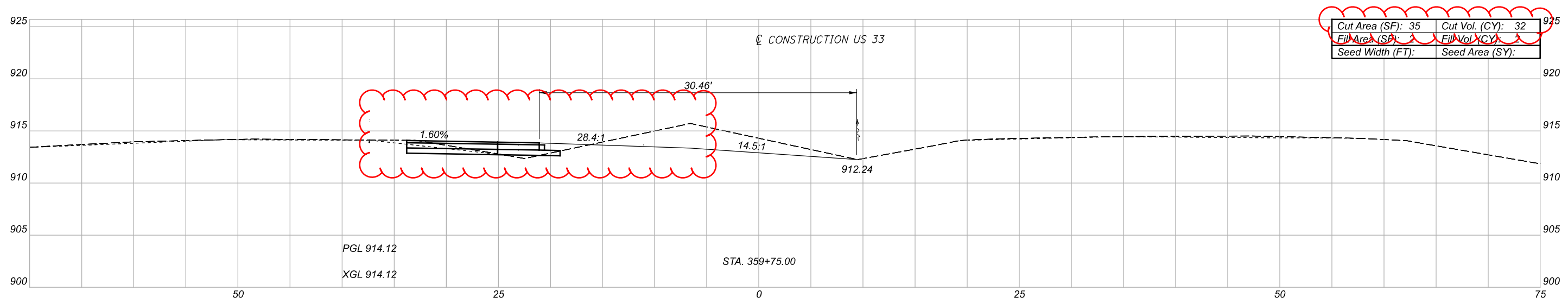
DESIGN AGENCY

DESIGNER  
 BTC

REVIEWER  
 CWW 11/24/21

PROJECT ID  
 113692

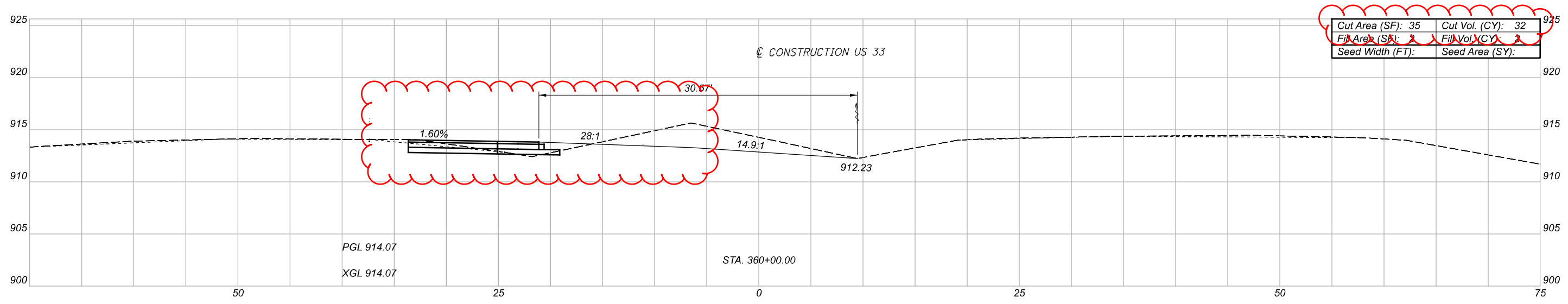
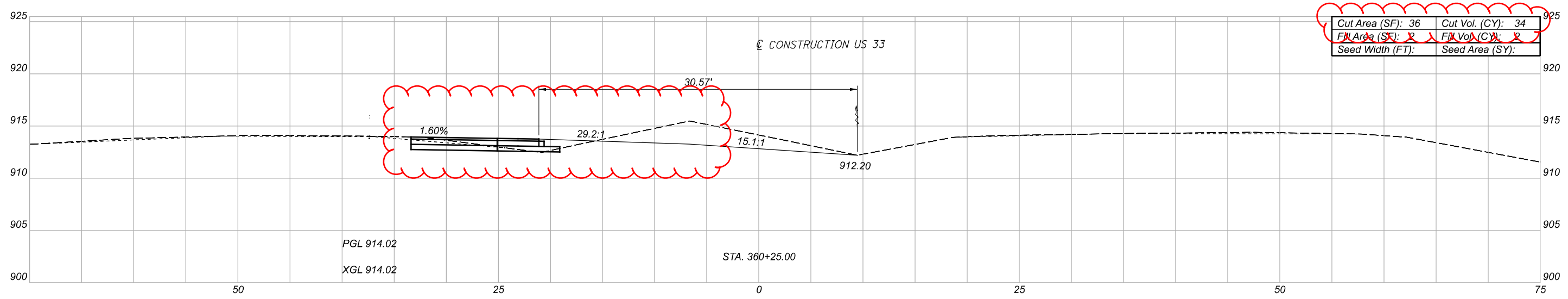
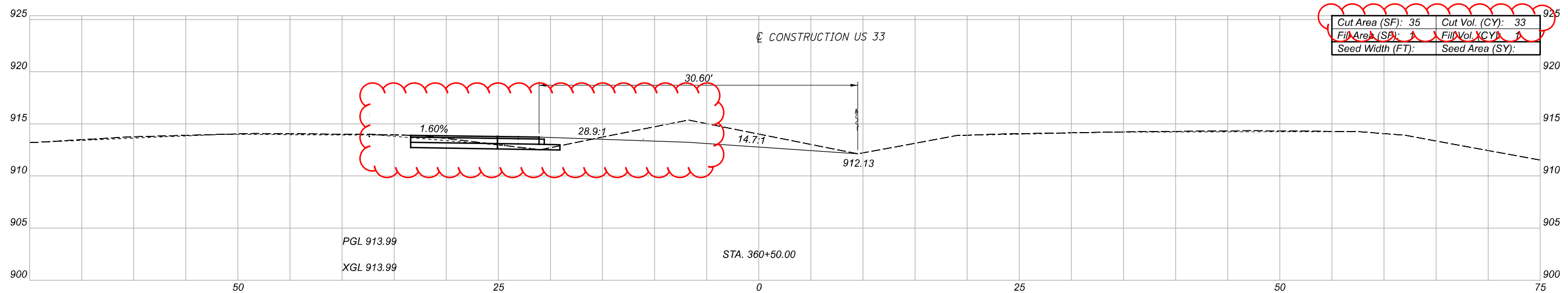
Sheet Totals		
Seeding	Cut	Fill
.	.	.
SHEET P.19	TOTAL P.28	



Sheet Totals		
Seeding	Cut	Fill
.	.	.

DESIGN AGENCY	
DESIGNER	BTC
REVIEWER	CWW 11/24/21
PROJECT ID	113692
SHEET	P.20
TOTAL	P.28

CROSS SECTIONS  
 STA. 359+25.00 TO STA. 359+75.00

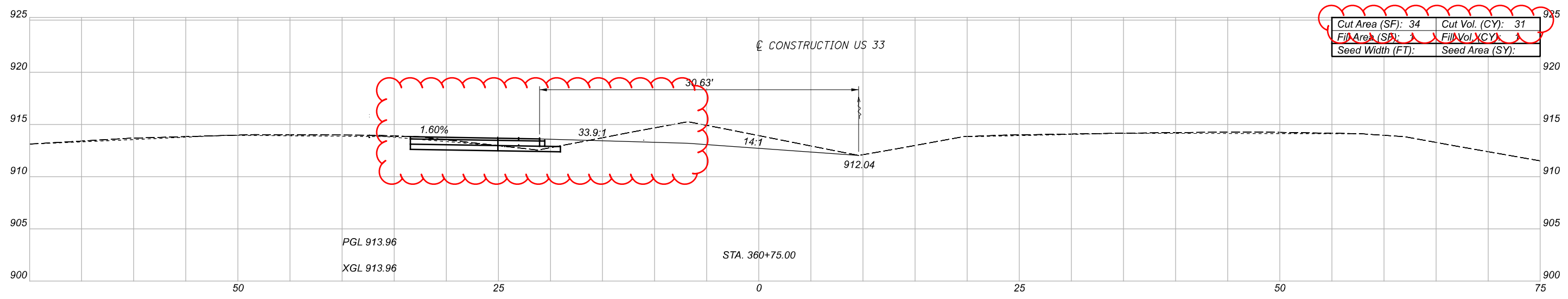
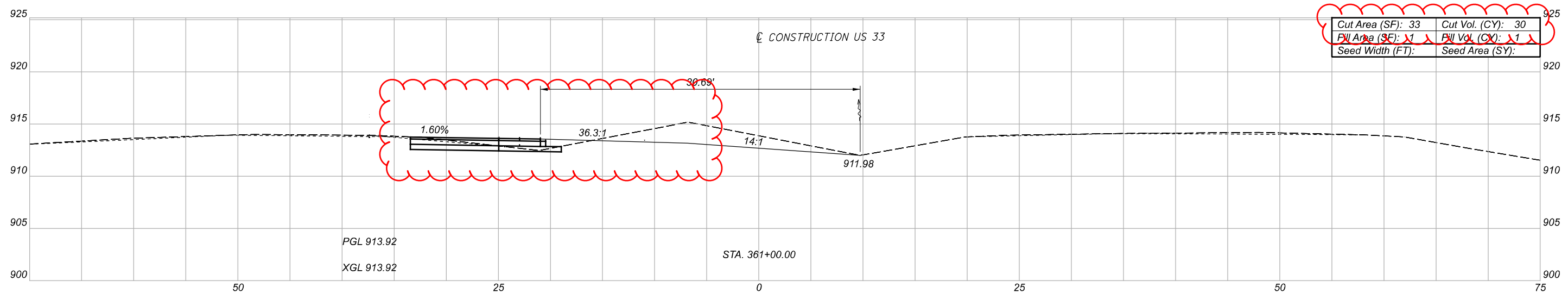
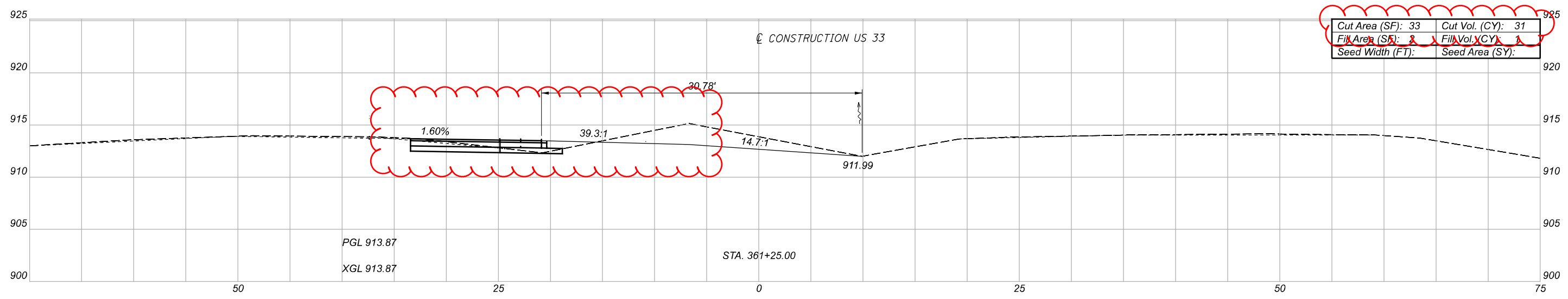


CROSS SECTIONS  
 STA. 360+00.00 TO STA. 360+50.00

DESIGN AGENCY	
DESIGNER	BTC
REVIEWER	CWW 11/24/21
PROJECT ID	113692

Sheet Totals		
Seeding	Cut	Fill
.	.	.

SHEET	TOTAL
P.21	P.28

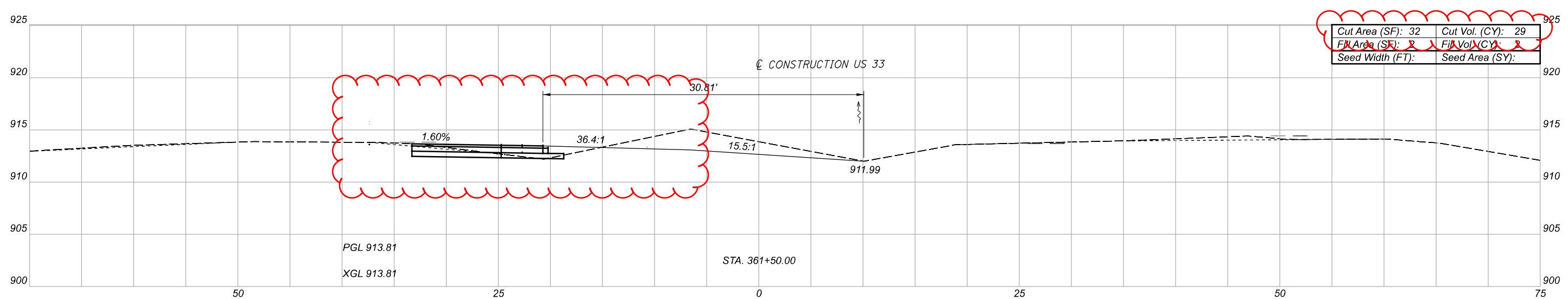
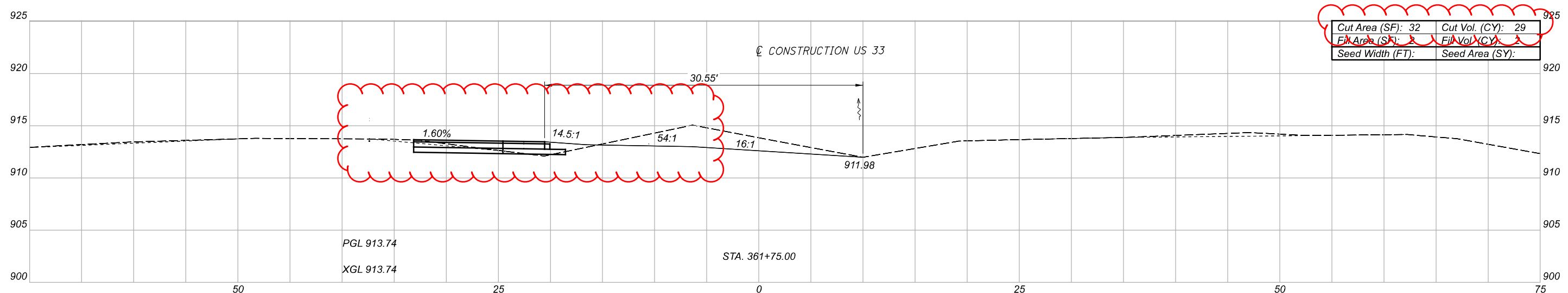
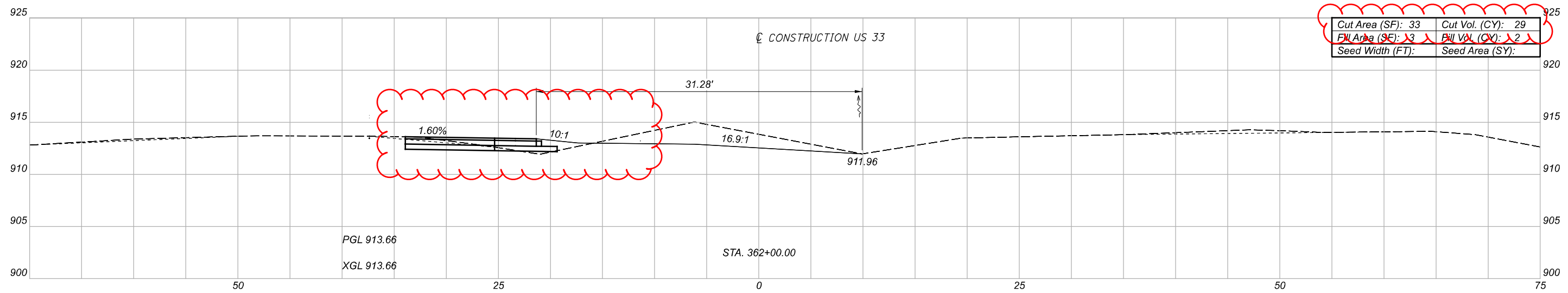


CROSS SECTIONS  
 STA. 360+75.00 TO STA. 361+25.00

DESIGN AGENCY	
DESIGNER	BTC
REVIEWER	CWW 11/24/21
PROJECT ID	113692

Sheet Totals		
Seeding	Cut	Fill
.	.	.

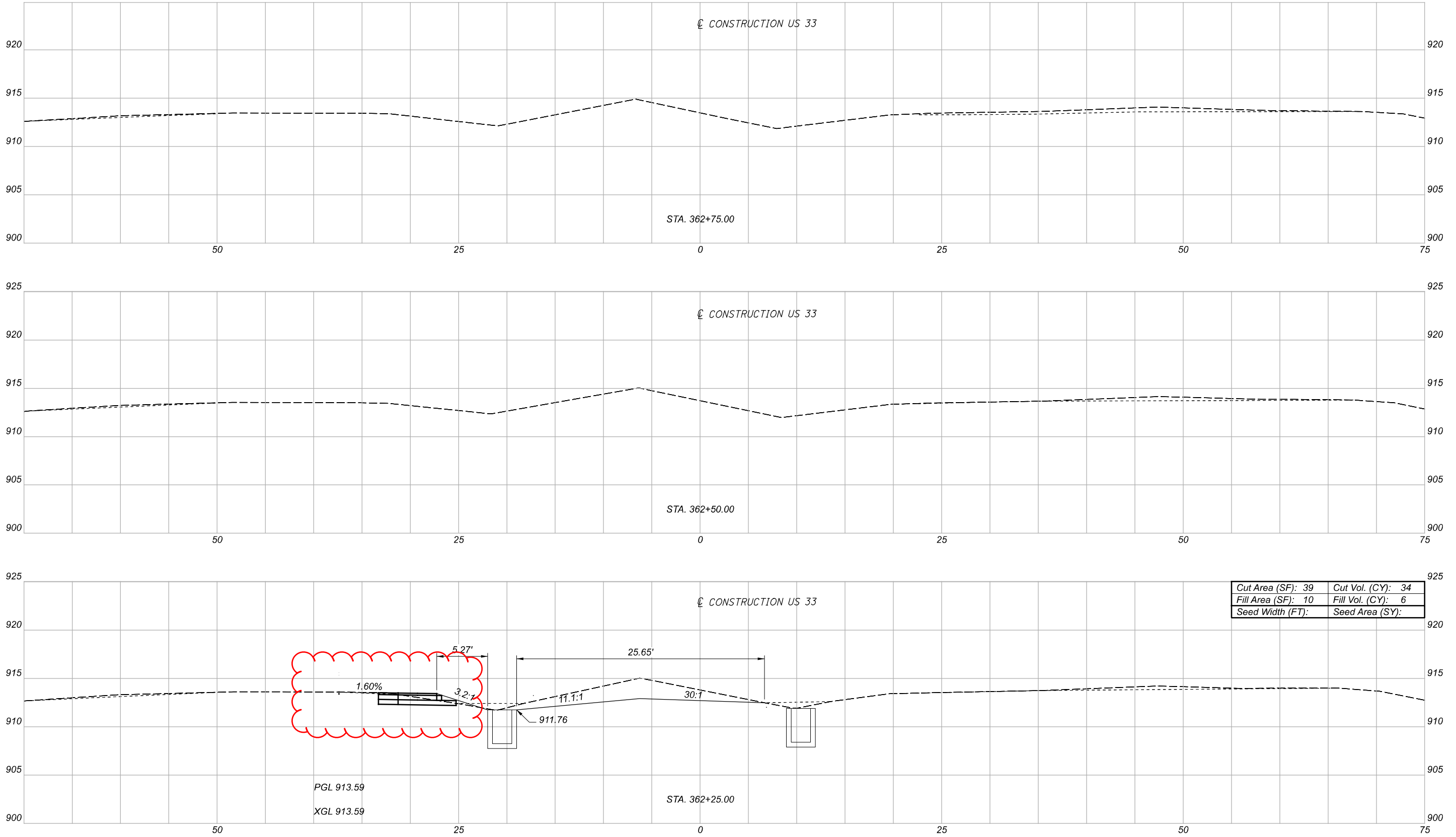
SHEET	TOTAL
P.22	P.28



CROSS SECTIONS  
 STA. 361+50.00 TO STA. 362+00.00

DESIGN AGENCY	
DESIGNER	BTC
REVIEWER	CWW 11/24/21
PROJECT ID	113692

Sheet Totals		
Seeding	Cut	Fill
.	.	.
SHEET P.23	TOTAL P.28	



Cut Area (SF): 39	Cut Vol. (CY): 34
Fill Area (SF): 10	Fill Vol. (CY): 6
Seed Width (FT):	Seed Area (SY):

CROSS SECTIONS  
STA. 362+25.00 TO STA. 362+75.00

DESIGN AGENCY
DESIGNER
REVIEWER
PROJECT ID

BTC  
11/24/21

Sheet Totals		
Seeding	Cut	Fill
.	.	.