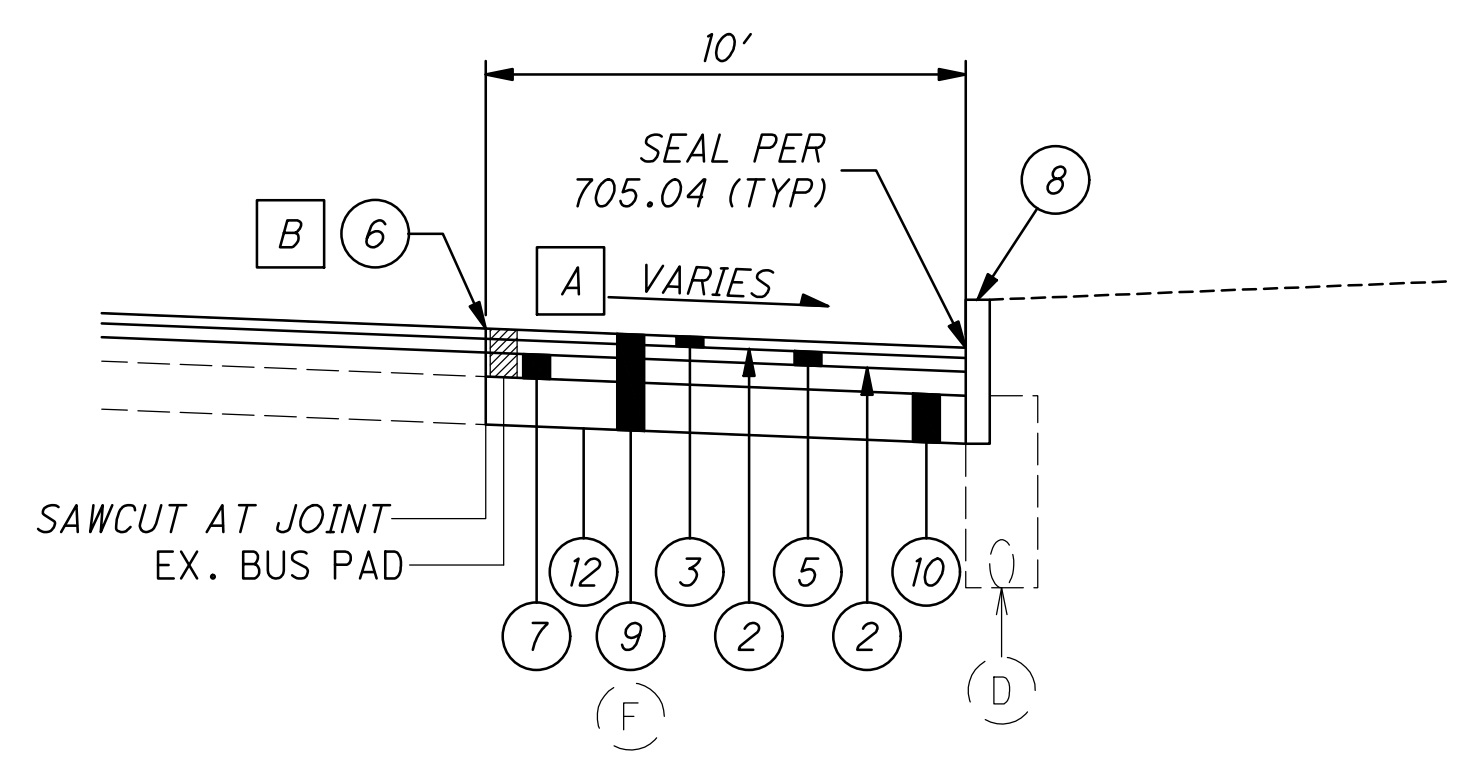
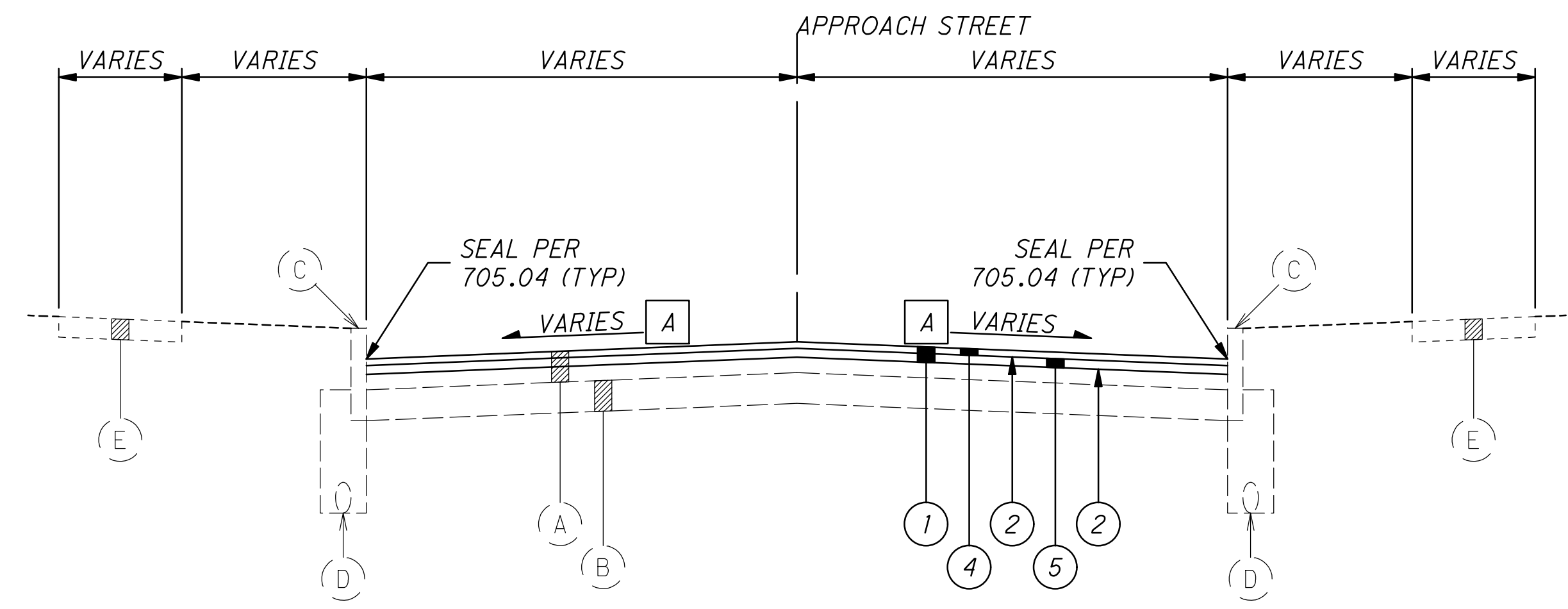


EUCLID AVE.
 STA. 4+55.00 TO STA. 52+27.93 = 4,773 LF
 STA. 53+49.09 TO STA. 223+11.00 = 16,962 LF



BUS PAD DETAIL



APPROACH STREET - TYPICAL SECTION
 SEE PLAN SHEETS

PROPOSED LEGEND

- ① ITEM 254 - PAVEMENT PLANING, ASPHALT CONCRETE, AS PER PLAN (T = 3")
- ② ITEM 407 - NON-TRACKING TACK COAT (0.055 GAL/SY)
- ③ ITEM 441 - 1.25" ASPHALT CONCRETE SURFACE COURSE, TYPE 1, (446), AS PER PLAN, PG70-22M
- ④ ITEM 441 - 1.25" ASPHALT CONCRETE SURFACE COURSE, TYPE 1, (448), PG64-22
- ⑤ ITEM 441 - 1.75" ASPHALT CONCRETE INTERMEDIATE COURSE, TYPE 2, (448)
- ⑥ ITEM 875 - LONGITUDINAL JOINT ADHESIVE
- ⑦ ITEM 301 - 9" ASPHALT CONCRETE BASE, PG64-22
- ⑧ ITEM 609 - CURB, TYPE 6
- ⑨ ITEM 202 - PAVEMENT REMOVED
- ⑩ ITEM 304 - 6" AGGREGATE BASE
- ⑪ ITEM 207 - NON-TRACKING TACK COAT (0.085 GAL/SY)
- ⑫ ITEM 204 - SUBGRADE COMPACTION

- A MATCH EXIST. CROSS SLOPE
- B PLACED AT COLD LONGITUDINAL JOINTS OR AS DIRECTED

EXISTING LEGEND

- (A) EXIST. ASPHALT CONCRETE PAVEMENT 5.5"± - 10.0"±
- (B) EXIST. BRICK/CONCRETE BASE
- (C) EXIST. CONCRETE CURB
- (D) EXIST. UNDERDRAIN (IF PRESENT)
- (E) EXIST. CONCRETE WALK
- (F) EXIST. CONCRETE BUS PAD

NO.	DESCRIPTION	REV. BY	DATE
1	ITEM DESCRIPTION UPDATED	MSS	3/23/22

O:\2020\2020044\02\Euclid Ave\Design\Roadway\Sheets\2021044_GY001.dwg_23-Mar-22 10:08 AM

INCIDENTALS

ITEM 623 - CONSTRUCTION LAYOUT STAKES, AS PER PLAN

AFTER COMPLETION OF ALL WORK, BUT PRIOR TO FINAL ACCEPTANCE OF THE PROJECT, AN OHIO PROFESSIONAL SURVEYOR SHALL DETERMINE THE MINIMUM VERTICAL CLEARANCES OF ALL EXISTING AND NEW BRIDGES WITHIN THE PROJECT LIMITS. AT A MINIMUM, MEASUREMENTS SHALL BE TAKEN ALONG EACH FASCIA BEAM AT THE EDGE OF SHOULDERS, EDGE LINES, LANE LINES, AND CROWN OF THE ROADWAY BELOW. THE ODOT DISTRICT 12 VERTICAL CLEARANCE SURVEY FORM SHALL BE USED, WHERE APPLICABLE, TO DOCUMENT THE MEASUREMENTS. WHERE THE ODOT DISTRICT 12 VERTICAL CLEARANCE SURVEY FORM IS NOT APPLICABLE, THE MEASUREMENTS SHALL BE DOCUMENTED ON A CONTRACTOR-DEVELOPED FORM THAT CLOSELY RESEMBLES THE ODOT DISTRICT 12 VERTICAL CLEARANCE SURVEY FORM AND ACCURATELY DEPICTS THE BRIDGE AND BELOW LANE AND SHOULDER CONFIGURATION. THE COMPLETED FORM SHALL BEAR THE STAMP OR SEAL OF THE OHIO PROFESSIONAL SURVEYOR WHO HAS TAKEN THE MEASUREMENTS AND SHALL BE SUBMITTED TO THE PROJECT ENGINEER PRIOR TO FINAL ACCEPTANCE OF THE PROJECT.

THE ODOT DISTRICT 12 VERTICAL CLEARANCE SURVEY FORM CAN BE DOWNLOADED FROM THE FOLLOWING WEBSITE:

[HTTP://WWW.DOT.STATE.OH.US/DISTRICTS/D12/HIGHWAYMANAGEMENT/PAGES/PERMITS.ASPX](http://www.dot.state.oh.us/districts/d12/highwaymanagement/pages/permits.aspx)

PAYMENT WILL BE MADE UNDER:

ITEM 623 - CONSTRUCTION LAYOUT STAKES AND SURVEYING, AS PER PLAN LS

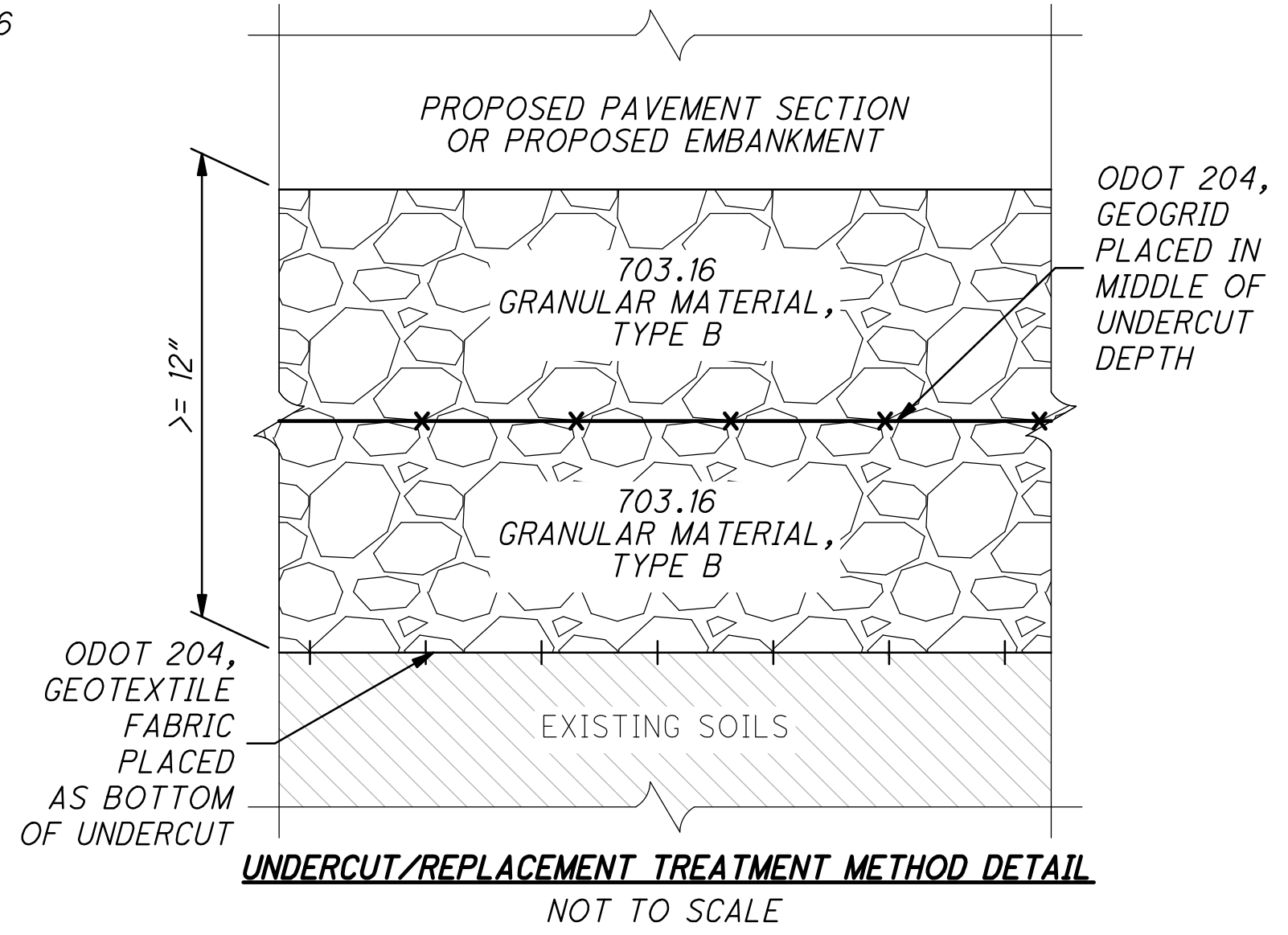
UNSUITABLE SUBGRADE MATERIAL

WHERE UNSUITABLE SUBGRADE MATERIAL IS ENCOUNTERED, IT SHALL BE REMOVED TO THE DEPTH DETERMINED BY THE ENGINEER AND REPLACED IN EIGHT (8) INCH MAXIMUM (LOOSE DEPTH) MECHANICALLY COMPACTED LAYERS. SUITABLE EMBANKMENT MATERIAL (204.02) REQUIRED TO REPLACE THE UNDERCUT SUBGRADE SHALL, TO THE EXTENT POSSIBLE, EXHIBIT THE SAME PHYSICAL PROPERTIES AS THE ADJACENT SOUND SUBGRADE MATERIALS. IN CONJUNCTION WITH THE ABOVE WORK, AN ESTIMATED QUANTITY OF ITEM 204 - GEOTEXTILE FABRIC AND ITEM 204 - GEOGRID ARE PROVIDED FOR USE AS DIRECTED BY THE ENGINEER.

REMOVAL OF UNSUITABLE SUBGRADE SHALL BE PAID UNDER ITEM 204 - EXCAVATION OF SUBGRADE. THE COST OF FURNISHING AND COMPACTING SUITABLE EMBANKMENT MATERIAL IN PLACE SHALL BE PAID FOR ITEM 204 - GRANULAR MATERIAL, TYPE B, AS PER PLAN.

THE FOLLOWING ESTIMATED QUANTITIES TO BE USED AS DIRECTED BY THE ENGINEER, ARE CARRIED TO THE GENERAL SUMMARY FOR THIS WORK AND PAYMENT IS INCLUDED IN THE CONTRACT UNIT PRICE BID FOR:

ITEM 204, EXCAVATION OF SUBGRADE	<u>250 CY</u>
ITEM 204, GRANULAR MATERIAL, TYPE B, AS PER PLAN	<u>250 CY</u>
ITEM 204, GEOTEXTILE FABRIC	<u>750 SY</u>
ITEM 204, GEOGRID	<u>750 SY</u>

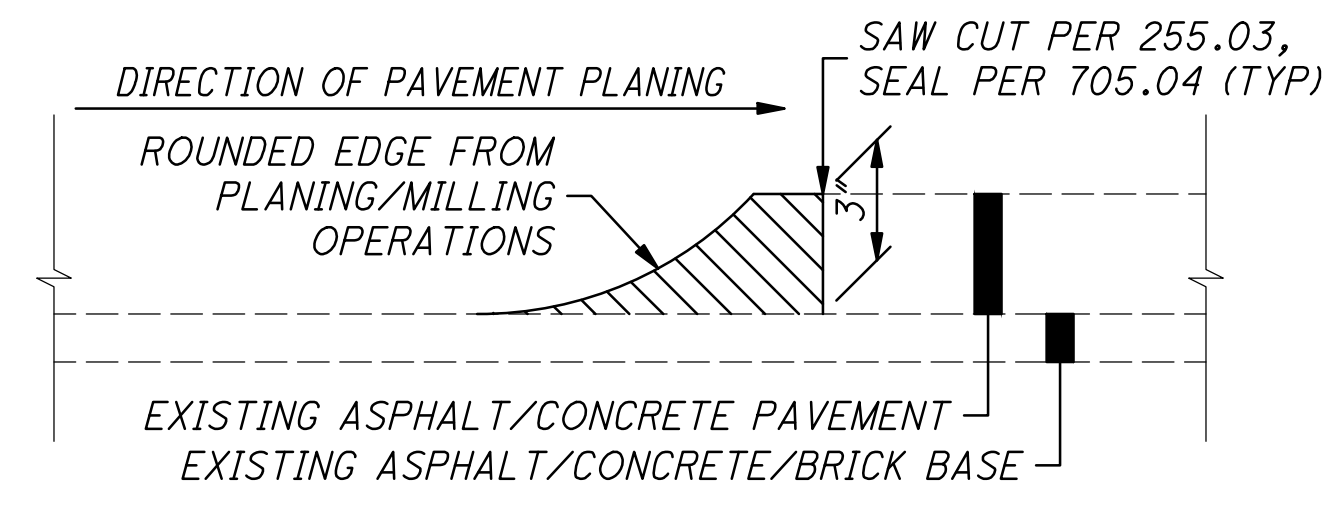


ITEM 204 - GRANULAR MATERIAL, TYPE B, AS PER PLAN

THIS ITEM OF WORK SHALL BE PERFORMED IN CONFORMANCE WITH ITEM 204 IN THE C&MS EXCEPT THAT THE USE OF SLAG IN ANY FORM IS NOT PERMITTED. PAYMENT FOR ALL LABOR, MATERIALS, AND EQUIPMENT ARE CONSIDERED INCIDENTAL TO ITEM 204, GRANULAR MATERIAL, TYPE B, AS PER PLAN.

ITEM 254 - PAVEMENT PLANING, ASPHALT CONCRETE, AS PER PLAN

THIS ITEM OF WORK SHALL BE PERFORMED IN CONFORMANCE WITH ITEM 254 IN THE C&MS EXCEPT THAT WHEN PLANING/MILLING OPERATIONS PRODUCE A ROUNDED EDGE, THEN A SAWCUT SHALL BE USED TO MANUFACTURE A PERPENDICULAR EDGE, AS DETAILED ON THIS SHEET. METHOD OF REMOVAL OF REMAINING ASPHALT CONCRETE IS LEFT TO THE DISCRETION OF THE ENGINEER. PAYMENT FOR ALL LABOR, MATERIALS, AND EQUIPMENT ARE CONSIDERED INCIDENTAL TO ITEM 254 - PAVEMENT PLANING, ASPHALT CONCRETE, AS PER PLAN.



ITEM 609 - CURB, TYPE 6

THE FOLLOWING CONTINGENCY QUANTITY HAS BEEN PROVIDED AND SHALL BE USED AS DIRECTED BY THE ENGINEER TO INSTALL ANY TYPE 6 CURBING. THE LOCATION OF THE CURB WILL BE AS DETERMINED BY THE PROJECT ENGINEER. NOTE THAT THE INSTALLED CURB QUANTITY MAY NOT BE CONTIGUOUS. CURB REMOVAL AND REPLACEMENT SHALL EXTEND FROM EXISTING JOINTS WITH A MINIMUM LENGTH OF 6 FEET. PAYMENT FOR ALL SAWCUTTING, PAVEMENT REMOVAL AND PAVEMENT REPLACEMENT INCLUDING ALL MATERIALS AND LABOR SHALL BE INCIDENTAL TO AND INCLUDED IN THE ITEM 609 - CURB, TYPE 6.

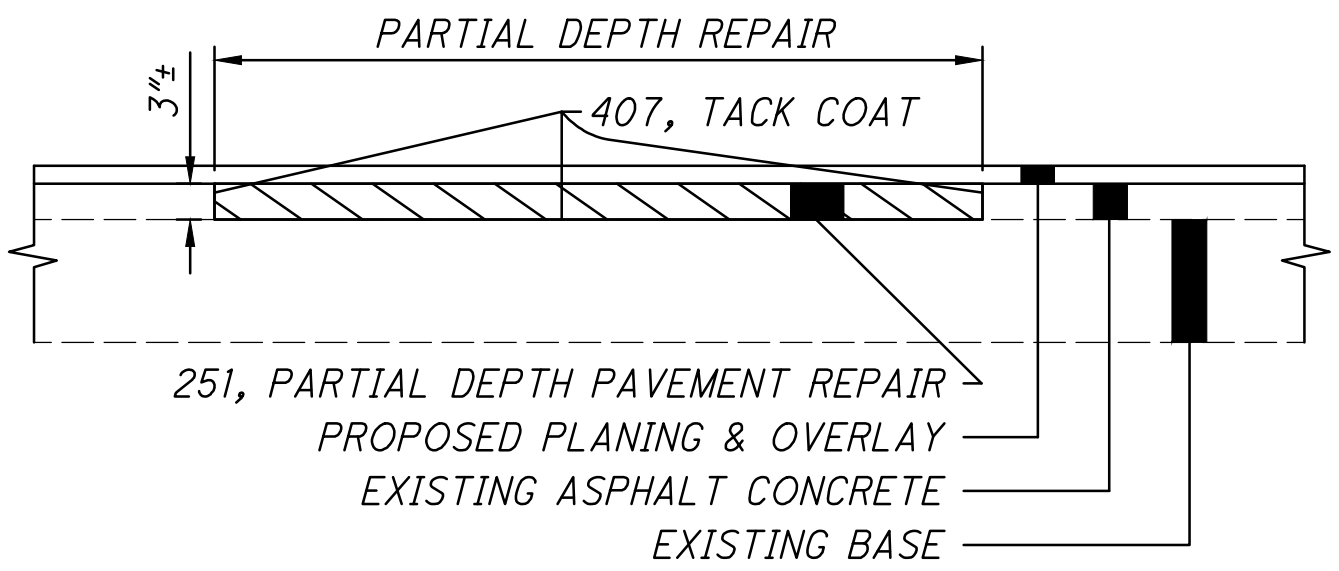
THE FOLLOWING CONTINGENCY QUANTITY HAS BEEN CARRIED TO THE GENERAL SUMMARY:

609, CURB, TYPE 6	<u>1,500 FT</u>
-------------------	-----------------

ITEM 251 - PARTIAL DEPTH PAVEMENT REPAIR (441), AS PER PLAN

A QUANTITY OF THIS ITEM IS PROVIDED FOR USE AS DIRECTED BY THE ENGINEER. THE ITEM SHALL CONSIST OF REPAIRING EXISTING LOCATIONS EXHIBITING SURFACE DETERIORATION AND PLACING ITEM 441 ASPHALT CONCRETE, TYPE 2. THE ASPHALT CONCRETE SHALL BE COMPACTED WITH A TYPE I PNEUMATIC TIRE ROLLER AND A STEEL WHEEL ROLLER AS PER 401.13. IT IS NOT THE INTENT TO REPAIR EVERY DETERIORATED AREA WITHIN THE PROJECT. PAVEMENT REPAIRS WILL BE MARKED IN THE FIELD BY THE PROJECT ENGINEER ACCORDING TO CMS 251.02. MINIMUM WIDTH IS 2'. UNLESS OTHERWISE DIRECTED BY THE ENGINEER, THIS ITEM SHALL BE PERFORMED AFTER THE COMPLETION OF MAINLINE PAVEMENT PLANING. ALSO, THIS ITEM SHALL COMMENCE WITHIN 7 DAYS OF THE COMPLETION OF MAINLINE PAVEMENT PLANING. PAYMENT SHALL BE BASED ON THE ACTUAL NUMBER OF SQUARE YARDS OF PAVEMENT REPAIR. THE FOLLOWING ESTIMATED QUANTITY HAS BEEN CARRIED TO THE GENERAL SUMMARY:

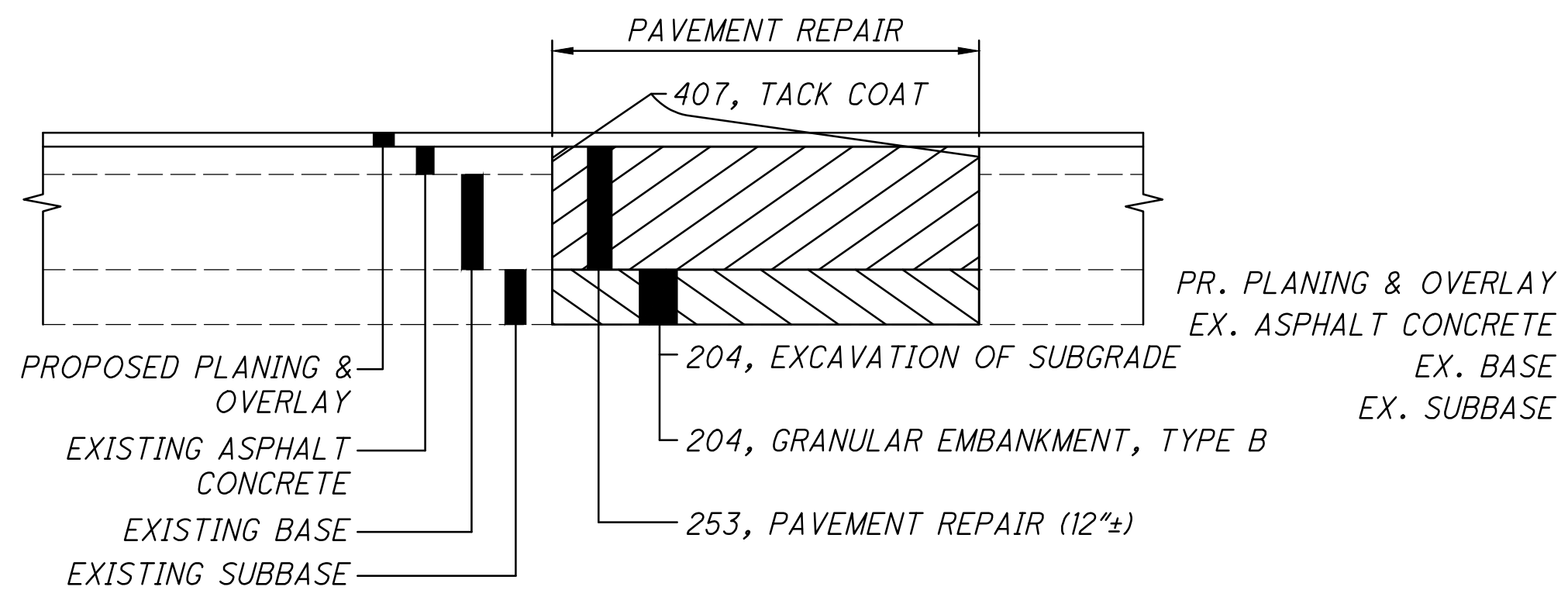
251, PARTIAL DEPTH PAVEMENT REPAIR (441)	<u>1,800 SY</u>
--	-----------------



ITEM 253 - PAVEMENT REPAIR

A QUANTITY OF THIS ITEM IS PROVIDED FOR USE AS DIRECTED BY THE ENGINEER. THIS ITEM SHALL CONSIST OF CUTTING AND REMOVING DETERIORATED PAVEMENT FULL DEPTH AND PLACING 12"± 301 ASPHALT CONCRETE BASE, PG64-22. THE MAXIMUM COMPACTED DEPTH OF ANY ONE LAYER SHALL BE 6 INCHES. UNLESS OTHERWISE DIRECTED BY THE ENGINEER, THIS ITEM SHALL BE PERFORMED AFTER THE COMPLETION OF MAINLINE PAVEMENT PLANING. ALSO, THIS ITEM SHALL COMMENCE WITHIN 7 DAYS OF THE COMPLETION OF MAINLINE PAVEMENT PLANING. IT IS NOT THE INTENT TO REPAIR EVERY DETERIORATED AREA WITHIN THE PROJECT. THE ENGINEER SHALL DETERMINE WHICH AREAS ARE TO BE REPAIRED. PAYMENT SHALL BE BASED ON THE ACTUAL NUMBER OF CUBIC YARDS OF PAVEMENT REMOVED AND REPLACED TO THE LIMITS DESIGNATED BY THE ENGINEER. THE FOLLOWING ESTIMATED QUANTITY HAS BEEN CARRIED TO THE GENERAL SUMMARY:

253, PAVEMENT REPAIR	<u>2,500 CY</u>
----------------------	-----------------



O:\2020\2020044\02\Euclid Ave\Design\Roadway\Sheets\2020044_CN001.dwg_23-Mar-22 10:55 AM

NO.	DESCRIPTION	REV. BY	DATE
1	ITEM NAME UPDATED	MSS	3/23/22

NOTIFICATIONS AND CONTACTS

THE CONTRACTOR SHALL NOTIFY IN WRITING THE FOLLOWING AGENCIES AT LEAST TWO (2) WEEKS PRIOR TO THE START OF CONSTRUCTION, AND AT LEAST SEVENTY-TWO (72) HOURS BEFORE IMPLEMENTING ANY SUBSTANTIAL CHANGES IN TRAFFIC PATTERNS OR CLOSING OF ANY STREET TO TRAFFIC.

1. CITY OF EUCLID
PUBLIC SERVICE DEPARTMENT
585 E. 222ND STREET
EUCLID, OH 44123
(216) 289-2700
2. EUCLID POLICE DEPARTMENT
545 E 222ND STREET
EUCLID, OH 44123
(216) 731-1234
3. EUCLID FIRE DEPARTMENT
1500 CHARDON ROAD
EUCLID, OH 44123
(216) 289-8416
4. EUCLID BOARD OF EDUCATION
651 E. 222ND STREET
EUCLID, OH 44123
(216) 261-2900
5. CITY OF CLEVELAND
DEPARTMENT OF PUBLIC WORKS
500 LAKESIDE AVENUE
CLEVELAND, OH 44114
(216) 664-2485
6. CLEVELAND POLICE DEPARTMENT
1300 ONTARIO STREET
CLEVELAND, OH 44113
(216) 623-5000
7. CLEVELAND FIRE DEPARTMENT
1645 SUPERIOR AVENUE, EAST
CLEVELAND, OH 44114
(216) 664-6800
8. CLEVELAND METROPOLITAN SCHOOL DISTRICT
1111 SUPERIOR AVENUE E., SUITE 1800
CLEVELAND, OH 44114
(216) 838-0030
9. WICKLIFFE SERVICE DEPARTMENT
30020 LAKELAND BOULEVARD
WICKLIFFE, OH 44092
(440) 943-7125
10. WICKLIFFE POLICE DEPARTMENT
28730 RIDGE ROAD
WICKLIFFE, OH 44092
(400) 943-1234
11. WICKLIFFE FIRE DEPARTMENT
29885 EUCLID AVENUE
WICKLIFFE, OH 44092
(440) 943-1212
12. WICKLIFFE CITY SCHOOL DISTRICT
2221 ROCKEFELLER ROAD
WICKLIFFE, OH 44092
(440) 943-6900
13. GREATER CLEVELAND RTA
1240 WEST 6TH STREET
CLEVELAND, OH 44113
(216) 621-9500

NOTIFICATIONS AND CONTACTS (CONTINUED)

14. ODOT DISTRICT 12
5500 TRANSPORTATION BOULEVARD
GARFIELD HEIGHTS, OH 44125
(216) 581-2100

SHOULD ANY OF THE PROJECTED DATES AND TIME FRAMES OF THE START AND END OF THE ROAD CLOSURES CHANGE THROUGHOUT THE DURATION OF THE PROJECT, THE AGENCIES LISTED ABOVE MUST BE NOTIFIED IMMEDIATELY.

SEQUENCE OF CONSTRUCTION

SECTION 1

SECTION 1 OF THE REHABILITATION PROJECT INCLUDES EUCLID AVENUE FROM RICHMOND ROAD TO THE EASTERN CORPORATION LIMITS. PROJECT IMPROVEMENTS AND PAVEMENT REPAIRS WITHIN THESE LIMITS SHALL BE PERFORMED WITH PHASES 1A AND 1B CONSTRUCTION ACTIVITIES. THE CONTRACTOR SHALL PERFORM REPAIRS AND IMPROVEMENTS UP TO AND INCLUDING THE ASPHALT CONCRETE INTERMEDIATE COURSE.

PHASE 1A

THE CONTRACTOR SHALL MAINTAIN ONE LANE IN EACH DIRECTION UTILIZING THE INSIDE LANES ON EUCLID AVENUE BY ODOT SCD MT-95.31. THE CONTRACTOR SHALL COMPLETE ALL WORK ON THE CURB LANES OF EUCLID AVENUE.

PHASE 1B

THE CONTRACTOR SHALL MAINTAIN ONE LANE IN EACH DIRECTION UTILIZING THE CURB LANES ON EUCLID AVENUE BY ODOT SCD MT-95.32. THE CONTRACTOR SHALL COMPLETE ALL WORK ON THE INSIDE LANES OF EUCLID AVENUE.

SECTION 2

SECTION 2 OF THE REHABILITATION PROJECT INCLUDES EUCLID AVENUE FROM HERITAGE DRIVE TO RICHMOND ROAD. PROJECT IMPROVEMENTS AND PAVEMENT REPAIRS WITHIN THESE LIMITS SHALL BE PERFORMED WITH PHASES 2A AND 2B CONSTRUCTION ACTIVITIES. THE CONTRACTOR SHALL PERFORM REPAIRS AND IMPROVEMENTS UP TO AND INCLUDING THE ASPHALT CONCRETE INTERMEDIATE COURSE.

PHASE 2A

THE CONTRACTOR SHALL MAINTAIN ONE LANE IN EACH DIRECTION UTILIZING THE CURB LANES ON EUCLID AVENUE BY ODOT SCD MT-95.32. THE CONTRACTOR SHALL COMPLETE ALL WORK ON THE INSIDE LANES OF EUCLID AVENUE.

PHASE 2B

THE CONTRACTOR SHALL MAINTAIN ONE LANE IN EACH DIRECTION UTILIZING THE INSIDE LANES ON EUCLID AVENUE BY ODOT SCD MT-95.31. THE CONTRACTOR SHALL COMPLETE ALL WORK ON THE CURB LANES OF EUCLID AVENUE.

SECTION 3

SECTION 3 OF THE REHABILITATION PROJECT INCLUDES EUCLID AVENUE FROM CHARDON ROAD TO HERITAGE DRIVE. PROJECT IMPROVEMENTS AND PAVEMENT REPAIRS WITHIN THESE LIMITS SHALL BE PERFORMED WITH PHASES 3A AND 3B CONSTRUCTION ACTIVITIES. THE CONTRACTOR SHALL PERFORM REPAIRS AND IMPROVEMENTS UP TO AND INCLUDING THE ASPHALT CONCRETE INTERMEDIATE COURSE.

PHASE 3A

THE CONTRACTOR SHALL MAINTAIN ONE LANE IN EACH DIRECTION UTILIZING THE INSIDE LANES ON EUCLID AVENUE BY ODOT SCD MT-95.31. THE CONTRACTOR SHALL COMPLETE ALL WORK ON THE CURB LANES OF EUCLID AVENUE.

SEQUENCE OF CONSTRUCTION (CONTINUED)

PHASE 3B

THE CONTRACTOR SHALL MAINTAIN ONE LANE IN EACH DIRECTION UTILIZING THE CURB LANES ON EUCLID AVENUE BY ODOT SCD MT-95.32. THE CONTRACTOR SHALL COMPLETE ALL WORK ON THE INSIDE LANES OF EUCLID AVENUE.

SECTION 4

SECTION 4 OF THE REHABILITATION PROJECT INCLUDES EUCLID AVENUE FROM THE WESTERN CLEVELAND CORPORATION LIMIT TO CHARDON ROAD. PROJECT IMPROVEMENTS AND PAVEMENT REPAIRS WITHIN THESE LIMITS SHALL BE PERFORMED WITH PHASES 4A AND 4B CONSTRUCTION ACTIVITIES. THE CONTRACTOR SHALL PERFORM REPAIRS AND IMPROVEMENTS UP TO AND INCLUDING THE ASPHALT CONCRETE INTERMEDIATE COURSE.

PHASE 4A

THE CONTRACTOR SHALL MAINTAIN ONE LANE IN EACH DIRECTION UTILIZING THE CURB LANES ON EUCLID AVENUE BY ODOT SCD MT-95.32. THE CONTRACTOR SHALL COMPLETE ALL WORK ON THE INSIDE LANES OF EUCLID AVENUE.

PHASE 4B

THE CONTRACTOR SHALL MAINTAIN ONE LANE IN EACH DIRECTION UTILIZING THE INSIDE LANES ON EUCLID AVENUE BY ODOT SCD MT-95.31. THE CONTRACTOR SHALL COMPLETE ALL WORK ON THE CURB LANES OF EUCLID AVENUE.

PHASE 5

THE CONTRACTOR SHALL THOROUGHLY CLEAN THE ASPHALT INTERMEDIATE COURSE. THE CONTRACTOR SHALL PLACE THE ASPHALT SURFACE IN A CONTINUOUS CONSTRUCTION OPERATION FROM THE BEGINNING OF THE PROJECT TO THE END OF PROJECT, FULL-WIDTH, FACE OF CURB TO FACE OF CURB TO MINIMIZE LONGITUDINAL COLD JOINTS UTILIZING ODOT STANDARD CONSTRUCTION DRAWING MT-97.11, FLASHING ARROW BOARDS PER ODOT C&MS 614 AND LAW ENFORCEMENT OFFICERS AS NEEDED.

THE CONTRACTOR SHALL PLACE FINAL PAVEMENT MARKINGS THROUGHOUT THE ENTIRE PROJECT WHILE MAINTAINING TRAFFIC IN ACCORDANCE WITH MT-99.20.

WORK HOUR DESCRIPTIONS

OFF-PEAK HOURS ARE DEFINED AS ANY PERIOD OTHER THAN 6:00-9:00 AM AND 4:00-7:00 PM (MONDAY THRU FRIDAY) AND LEGAL HOLIDAYS.

NIGHTTIME HOURS ARE DEFINED AS BETWEEN 8:00 PM AND 6:00 AM.

RESTRICTIONS

THE CONTRACTOR SHALL NOT BEGIN PHASE 4 CONSTRUCTION UNTIL AFTER JULY 1, 2022 IN ORDER TO AVOID THE DOMINION GAS LINE CONSTRUCTION. THE CONTRACTOR SHALL RECEIVE WRITTEN APPROVAL TO BEGIN WORK FOR PHASE 4 PRIOR TO JULY 1, 2022.

DUST CONTROL

THE CONTRACTOR SHALL FURNISH AND APPLY WATER AND CALCIUM CHLORIDE FOR DUST CONTROL AS DIRECTED BY THE ENGINEER. THE FOLLOWING ESTIMATED QUANTITIES HAVE BEEN INCLUDED FOR DUST CONTROL PURPOSES:

ITEM 616 - WATER

60 MGAL

INSTALLATION OF PAVEMENT MARKINGS

THE CONTRACTOR MAY REDUCE THE NUMBER OF THROUGH TRAFFIC LANES BY 50% AS DIRECTED BY THE ENGINEER, IN ORDER TO REMOVE PAVEMENT MARKINGS OR TO INSTALL WORK ZONE OR PERMANENT PAVEMENT MARKINGS. THE CONTRACTOR SHALL LIMIT THE AFOREMENTIONED CLOSURE TO BETWEEN THE HOURS OF 9:00 A.M. AND 3:30 P.M. UNLESS OTHERWISE APPROVED BY THE ENGINEER.

ALL WORK ZONE PAVEMENT MARKINGS AND SIGNS REQUIRED FOR A PARTICULAR LANE CLOSURE OR TRAFFIC PATTERN SHALL BE INSTALLED ON A SINGLE WORK DAY AND THE CORRESPONDING TRAFFIC PATTERN SHALL BE IMMEDIATELY IMPLEMENTED. IN ADDITION, THE REQUIREMENTS OF ODOT 614.11 SHALL APPLY.

FLOODLIGHTING

FLOODLIGHTING OF THE WORK SITE FOR OPERATIONS CONDUCTED DURING NIGHTTIME PERIODS SHALL BE ACCOMPLISHED SO THAT THE LIGHTS DO NOT CAUSE GLARE TO THE DRIVERS ON THE ROADWAY. TO ENSURE THE ADEQUACY OF THE FLOODLIGHT PLACEMENT, THE CONTRACTOR AND THE ENGINEER SHALL DRIVE THROUGH THE WORK SITE EACH NIGHT WHEN THE LIGHTING IS IN PLACE AND OPERATIVE PRIOR TO COMMENCING ANY WORK. IF GLARE IS DETECTED, THE LIGHT PLACEMENT AND SHIELDING SHALL BE ADJUSTED TO THE SATISFACTION OF THE ENGINEER BEFORE WORK PROCEEDS.

PAYMENT FOR ALL LABOR, EQUIPMENT AND MATERIALS SHALL BE INCLUDED IN THE LUMP SUM CONTRACT PRICE FOR ITEM 614, MAINTAINING TRAFFIC.

PLACEMENT OF ASPHALT CONCRETE

TWO-WAY TRAFFIC SHALL BE MAINTAINED AT ALL TIMES EXCEPT THAT ONE-WAY TRAFFIC WILL BE PERMITTED FOR MINIMUM PERIODS OF TIME CONSISTENT WITH THE REQUIREMENTS OF THE SPECIFICATIONS FOR PROTECTION OF COMPLETED ASPHALT CONCRETE COURSES.

FAILURE TO COMPLY

IF THERE IS ANY FAILURE TO COMPLY WITH THE PROVISIONS FOR TRAFFIC CONTROL AS OUTLINED IN THESE PLANS AND NOTES OR WITH THE PROVISIONS OF THE OMUTCD, THE ROADWAY IN THE VICINITY OF THE WORK AREA SHALL NOT BE CONSIDERED TO BE IN A CONDITION FOR SAFE AND CONVENIENT USE BY THE TRAVELING PUBLIC. ANY FAILURE TO KEEP THE ROADWAY IN THE VICINITY OF THE WORK AREA IN A CONDITION FOR THE SAFE AND CONVENIENT USE BY THE TRAVELING PUBLIC SHALL BE CONSIDERED A BREACH OF CONTRACT. WORK SHALL BE SUSPENDED UNTIL THE CONTRACTOR COMPLIES WITH THE PROVISIONS OF THE AFOREMENTIONED ITEMS.

PEDESTRIAN ACCESS

DURING TEMPORARY CLOSURE OR RELOCATION OF SIDEWALKS AND OTHER PEDESTRIAN FACILITIES, TEMPORARY PEDESTRIAN ACCESS FACILITIES SHALL BE PROVIDED. THESE FACILITIES SHALL BE DETECTABLE AND INCLUDE ACCESSIBILITY FEATURES CONSISTENT WITH THE FEATURES PRESENT IN THE EXISTING FACILITY. PEDESTRIAN SIDEWALK CLOSURES, CROSSWALK CLOSURES AND PEDESTRIAN DETOURS OR BYPASSES SHALL BE INSTALLED IN ACCORDANCE WITH ODOT STANDARD CONSTRUCTION DRAWING MT-110.10.

RTA BUS STOP ACCESS

ACCESS TO ALL RTA BUS STOPS SHALL BE MAINTAINED AT ALL TIMES DURING CONSTRUCTION. THE CONTRACTOR SHALL COORDINATE THE LOCATION OF ANY TEMPORARY BUS STOP LOCATIONS WITH THE GREATER CLEVELAND REGIONAL TRANSIT AUTHORITY. THIS WORK SHALL BE INCLUDED IN THE LUMP SUM BID FOR ITEM 614 - MAINTAINING TRAFFIC. NO ADDITIONAL PAYMENTS WILL BE MADE.

NO.	DESCRIPTION	REV. BY	DATE
1	REVISED PHASING	AKF	3/22/22

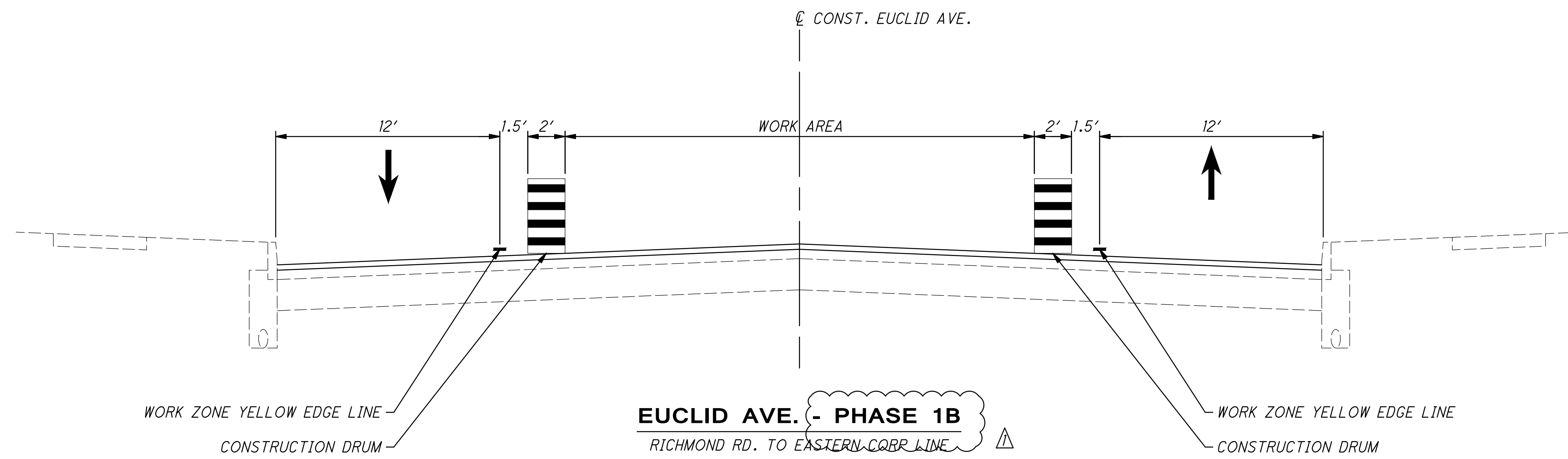
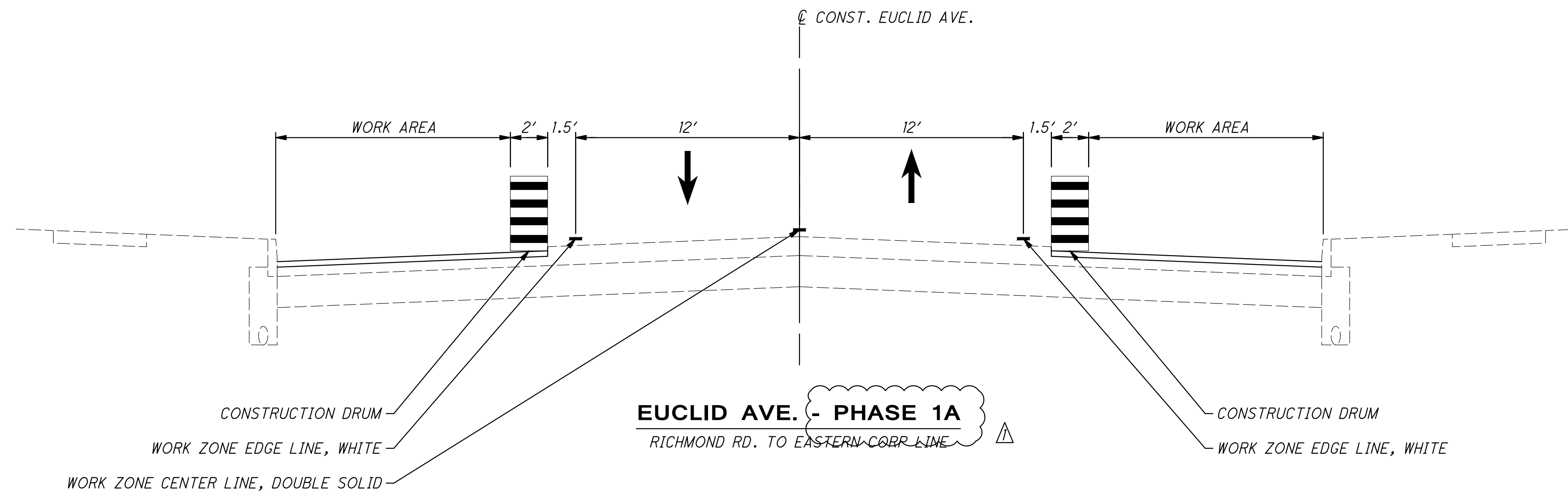
O:\2020\2020044\02\Euclid Ave\Design\WOT\Sheets\2021044.02_MN001.dwg 22-Mar-22 10:45 AM

CALCULATED
JAK
CHECKED
AKF

MAINTENANCE OF TRAFFIC NOTES

US-20/EUCLID AVE

O:\2020\2020044\02\Euclid Ave\Design\MOT\Sheets\2021044.02_MY004.dwg 22-Mar-22 10:46 AM



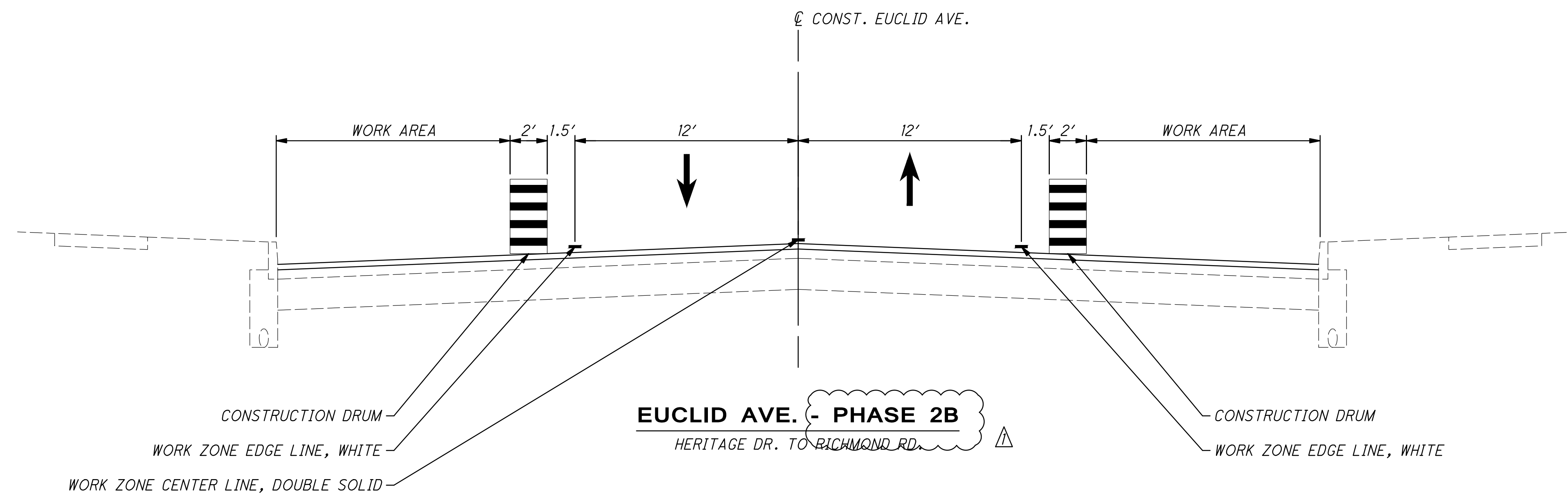
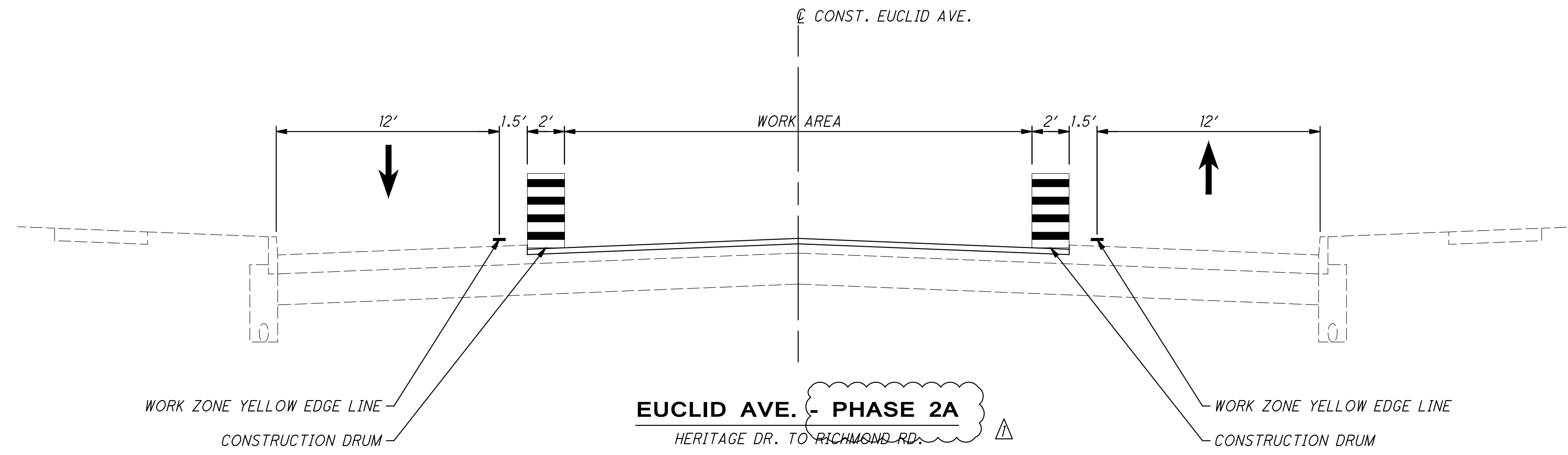
NO.	DESCRIPTION	REV. BY	DATE
1	REVISED PHASING	AKF	3/22/22

CALCULATED
JAK
CHECKED
AKF

MAINTENANCE OF TRAFFIC TYPICAL SECTIONS

US-20/EUCLID AVE

O:\2020\2020044\02\Euclid Ave\Design\MOT\Sheets\2021044.02_MY003.dwg 22-Mar-22 10:46 AM



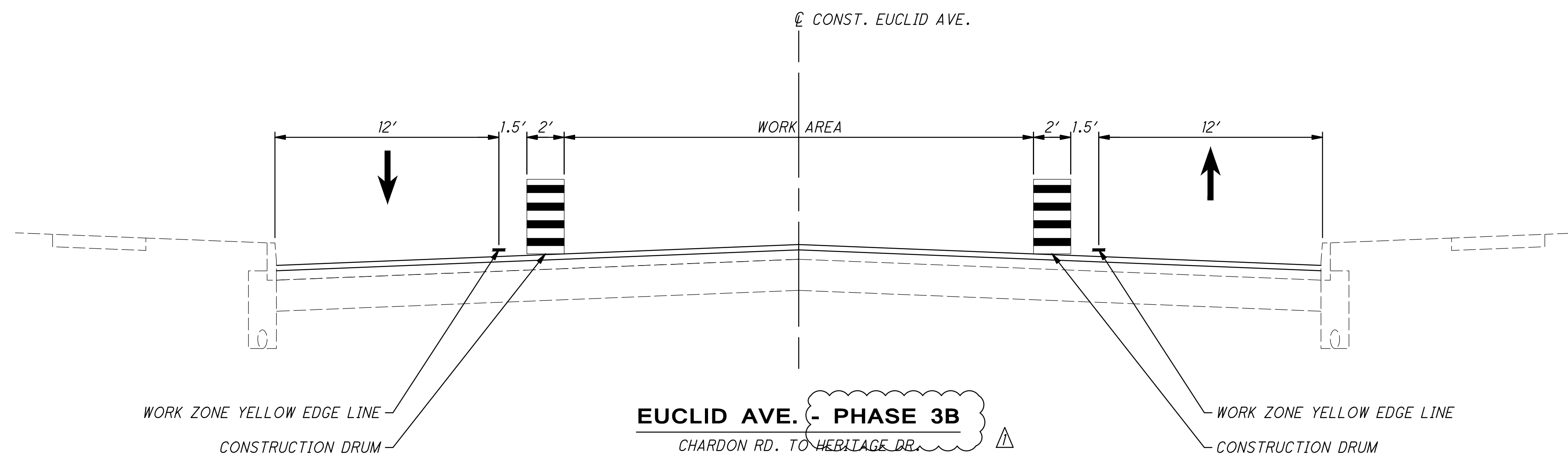
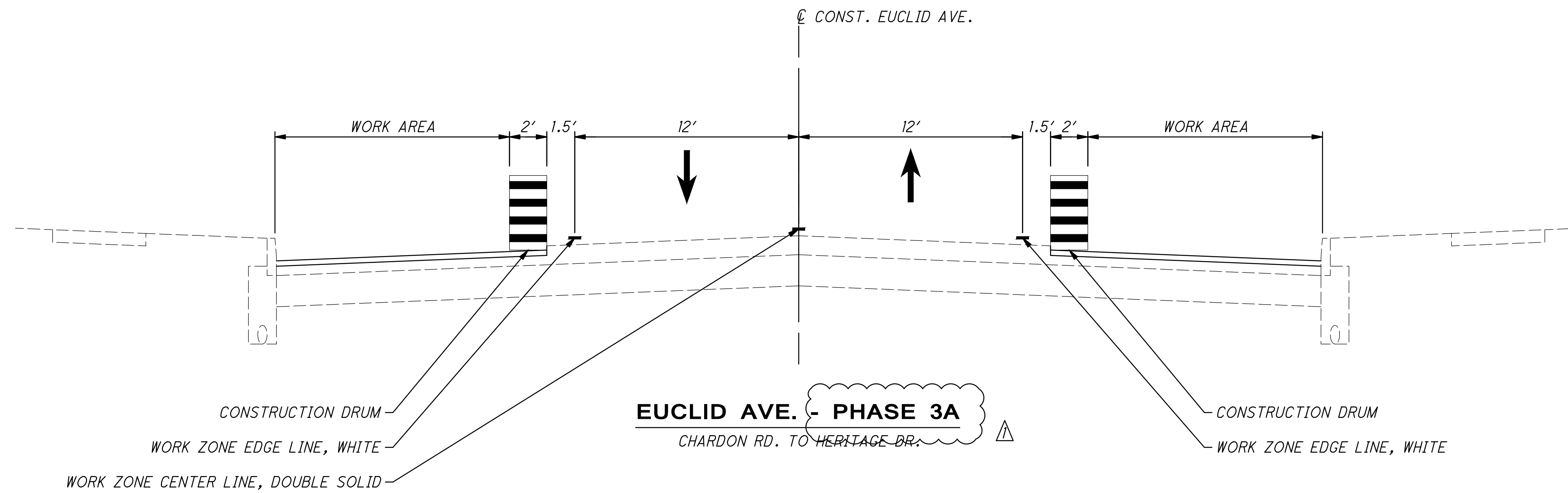
NO.	DESCRIPTION	REV. BY	DATE
1	REVISED PHASING	AKF	3/22/22

CALCULATED
JAK
CHECKED
AKF

MAINTENANCE OF TRAFFIC TYPICAL SECTIONS

US-20/EUCLID AVE

O:\2020\2020044\02\Euclid Ave\Design\MOT\Sheets\2021044.02_MY002.dwg 22-Mar-22 10:46 AM



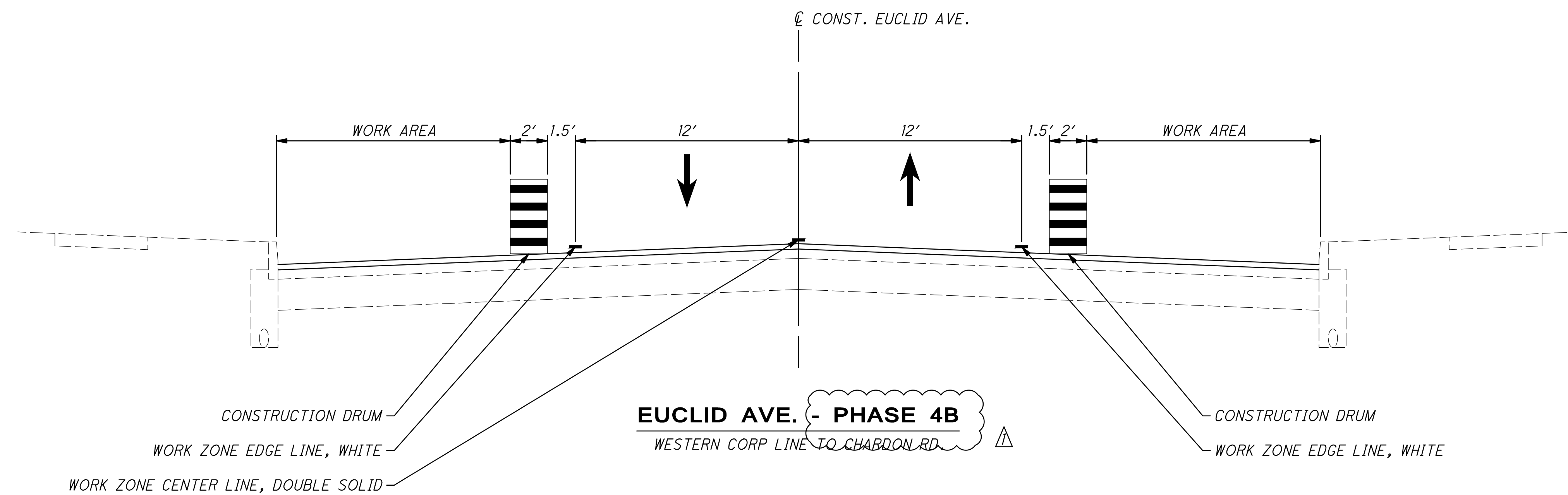
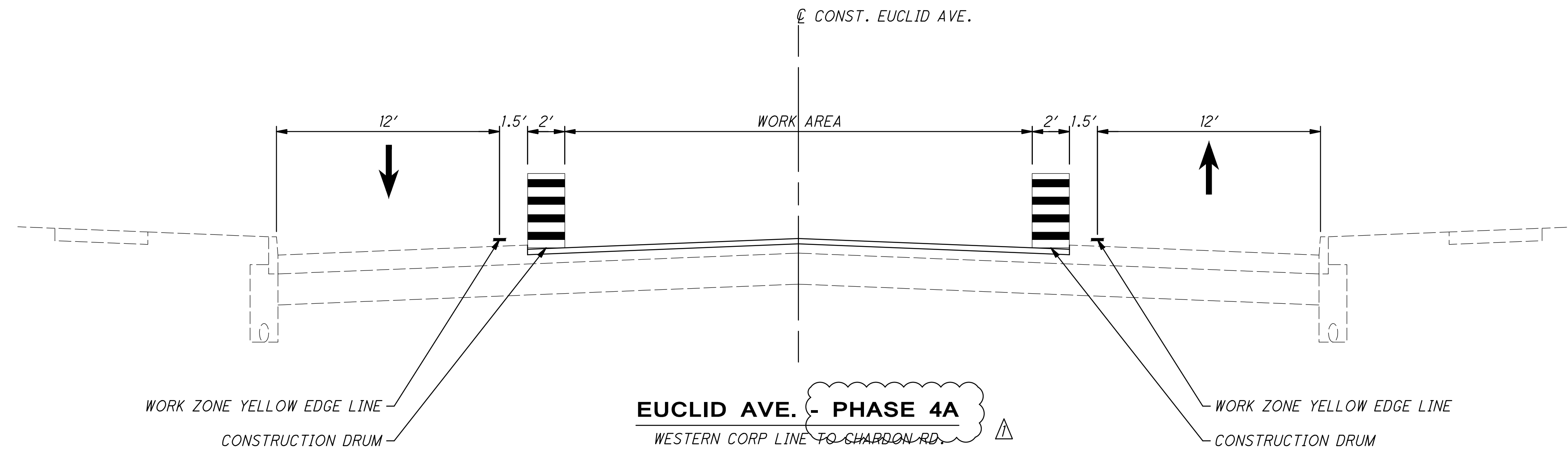
NO.	DESCRIPTION	REV. BY	DATE
1	REVISED PHASING	AKF	3/22/22

CALCULATED
JAK
CHECKED
AKF

MAINTENANCE OF TRAFFIC TYPICAL SECTIONS

US-20/EUCLID AVE

O:\2020\2020044\02\Euclid Ave\Design\MOT\Sheets\2021044.02_MY001.dwg_22-Mar-22 10:47 AM



NO.	DESCRIPTION	REV. BY	DATE
1	REVISED PHASING	AKF	3/22/22

CALCULATED
JAK
CHECKED
AKF

MAINTENANCE OF TRAFFIC TYPICAL SECTIONS

US-20/EUCLID AVE

SHEET NUM.											PART.	ITEM	ITEM	GRAND	UNIT	DESCRIPTION	SEE SHEET NO.
8	9	10					21	22	23	24	01/NHS/PV	EXT	TOTAL				
ROADWAY																	
LS											LS	201	11000	LS	CLEARING AND GRUBBING		
										2,879		202	23000	2,879	SY	PAVEMENT REMOVED	
1,500							14,798					202	30000	16,298	SF	WALK REMOVED	
1,500							1,681			2,589		202	32000	5,770	FT	CURB REMOVED	
										2,879		204	10000	2,879	SY	SUBGRADE COMPACTION	
		250										250	204	13000	CY	EXCAVATION OF SUBGRADE	
		250										250	204	30011	CY	GRANULAR MATERIAL, TYPE B, AS PER PLAN	
		750										750	204	50000	SY	GEOTEXTILE FABRIC	
		750										750	204	51000	SY	GEOGRID	
1,500							7,483					608	10000	8,983	SF	4" CONCRETE WALK	
							8,885					608	52000	8,885	SF	CURB RAMP	
	5						8					13	623	39501	13	EACH	MONUMENT BOX ADJUSTED TO GRADE, AS PER PLAN
EROSION CONTROL																	
7,500												7,500	832	30001	7,500	EACH	EROSION CONTROL, AS PER PLAN
DRAINAGE																	
		1,500										1,500	605	13300	1,500	FT	6" UNCLASSIFIED PIPE UNDERDRAINS
							5					5	611	98631	5	EACH	CATCH BASIN ADJUSTED TO GRADE, AS PER PLAN
	3											3	611	98635	3	EACH	CATCH BASIN RECONSTRUCTED TO GRADE, AS PER PLAN
	15						122					137	611	99655	137	EACH	MANHOLE ADJUSTED TO GRADE, AS PER PLAN
	5											5	611	99661	5	EACH	MANHOLE RECONSTRUCTED TO GRADE, AS PER PLAN
	20,000											20,000	SPECIAL	61199820	20,000	LB	MISCELLANEOUS METAL
PAVEMENT																	
		1,800										1,800	251	01001	1,800	SY	PARTIAL DEPTH PAVEMENT REPAIR (441), AS PER PLAN
		2,500										2,500	253	02000	2,500	CY	PAVEMENT REPAIR
							78,710	58,351	2,837			139,898	254	01001	139,898	SY	PAVEMENT PLANING, ASPHALT CONCRETE, AS PER PLAN (T=3")
									725			725	301	46000	725	CY	ASPHALT CONCRETE BASE, PG64-22
									487			487	304	20000	487	CY	AGGREGATE BASE
							11,078	8,219	840			20,137	407	20000	20,137	GAL	NON-TRACKING TACK COAT
							2,780	2,004	106			4,890	441	10101	4,890	CY	ASPHALT CONCRETE SURFACE COURSE, TYPE 1, (446), AS PER PLAN, PG70-22M
								59	107			166	441	50000	166	CY	ASPHALT CONCRETE SURFACE COURSE, TYPE 1, (448), PG64-22
							3,846	2,855	297			6,998	441	50300	6,998	CY	ASPHALT CONCRETE INTERMEDIATE COURSE, TYPE 2, (448)
		1,500					1,681			2,589		5,770	609	26000	5,770	FT	CURB, TYPE 6
							2,177			266		2,443	875	10000	2,443	LB	LONGITUDINAL JOINT ADHESIVE
WATER WORK																	
							62					62	638	10801	62	EACH	VALVE BOX ADJUSTED TO GRADE, AS PER PLAN

GENERAL SUMMARY

US-20/EUCLID AVE

NO.	DESCRIPTION	REV. BY	DATE
1	ITEM DESCRIPTION UPDATED	MSS	3/23/22
2	ITEM DESCRIPTION UPDATED	MSS	3/23/22

O:\2020\2020044\02\Euclid Ave\Design\Roadway\Sheets\2020044_CC001.dwg 23-Mar-22 11:38 AM

SHEET NO.	STATION TO STATION		SIDE	LENGTH (L) FT	AVERAGE WIDTH (W) FT	SURFACE AREA (A) (A = L x W) SF	CADD GENERATED AREA SF	254	407	407	441	441	441					
	FROM	TO						SY	GAL	GAL	CY	CY	CY					
	EUCLID AVE.																	
32	40+00.00	45+00.00	RT	500	28	14000		1556	86	133	54		76					
33	45+00.00	50+00.00	RT	500	28	14000		1556	86	133	54		76					
34	50+00.00	52+27.00	RT	227	28	6356		707	39	61	25		35					
34	53+49.00	55+00.00	RT	151	28	4228		470	26	40	17		23					
35-36	55+00.00	61+59.90	RT	660	28	18480		2054	113	175	72		100					
36-37	61+59.90	66+94.55	RT	535	31	16585		1843	102	157	64		90					
37	66+94.55	70+00.00	RT	306	28	8568		952	53	81	34		47					
38	70+00.00	75+00.00	RT	500	28	14000		1556	86	133	55		76					
39	75+00.00	80+00.00	RT	500	28	14000		1556	86	133	55		76					
40	80+00.00	85+00.00	RT	500	28	14000		1556	86	133	55		76					
41	85+00.00	90+00.00	RT	500	28	14000		1556	86	133	55		76					
42	90+00.00	95+00.00	RT	500	28	14000		1556	86	133	55		76					
43	95+00.00	100+00.00	RT	500	28	14000		1556	86	133	55		76					
44	100+00.00	105+00.00	RT	500	28	14000		1556	86	133	55		76					
45	105+00.00	110+00.00	RT	500	28	14000		1556	86	133	55		76					
46	110+00.00	115+00.00	RT	500	28	14000		1556	86	133	55		76					
47	115+00.00	120+00.00	RT	500	28	14000		1556	86	133	55		76					
48	120+00.00	125+00.00	RT	500	28	14000		1556	86	133	55		76					
49	125+00.00	130+00.00	RT	500	28	14000		1556	86	133	55		76					
50	130+00.00	135+00.00	RT	500	28	14000		1556	86	133	55		76					
51	135+00.00	140+00.00	RT	500	28	14000		1556	86	133	55		76					
52	140+00.00	145+00.00	RT	500	28	14000		1556	86	133	55		76					
53	145+00.00	150+00.00	RT	500	28	14000		1556	86	133	55		76					
54	150+00.00	155+00.00	RT	500	28	14000		1556	86	133	55		76					
55	155+00.00	160+00.00	RT	500	28	14000		1556	86	133	55		76					
56	160+00.00	165+00.00	RT	500	28	14000		1556	86	133	55		76					
57	165+00.00	170+00.00	RT	500	28	14000		1556	86	133	55		76					
58	170+00.00	175+00.00	RT	500	28	14000		1556	86	133	55		76					
59	175+00.00	180+00.00	RT	500	28	14000		1556	86	133	55		76					
60	180+00.00	185+00.00	RT	500	28	14000		1556	86	133	55		76					
61	185+00.00	190+00.00	RT	500	28	14000		1556	86	133	55		76					
62	190+00.00	195+00.00	RT	500	28	14000		1556	86	133	55		76					
63	195+00.00	200+00.00	RT	500	28	14000		1556	86	133	55		76					
64	200+00.00	205+00.00	RT	500	28	14000		1556	86	133	55		76					
65	205+00.00	210+00.00	RT	500	28	14000		1556	86	133	55		76					
66	210+00.00	215+00.00	RT	500	28	14000		1556	86	133	55		76					
67	215+00.00	220+00.00	RT	500	28	14000		1556	86	133	55		76					
68	220+00.00	END PROJECT	RT	311	28	8708		968	54	83	34		48					
25	UPPER VALLEY DR.		LT/RT	47	14		798	89	5	8		3	4					
25	UPPER VALLEY DR.		LT/RT	27	29		1044	116	7	10		5	6					
25	E. 191ST ST.		LT/RT	30	27		1119	125	7	11		5	7					
27	E. 193RD ST.		LT/RT	26	16		473	53	3	5		2	3					
28	E. 195TH ST.		LT/RT	24	13		366	41	3	4		2	2					
28	E. 196TH ST.		LT/RT	25	11		301	34	2	3		2	2					
30	SOUTH GRAND BLVD.		LT/RT	30	15		615	69	4	6		3	4					
32	NORTH GRAND BLVD.		LT/RT	18	-		1425	159	9	14		6	8					
33	DILLE RD.		LT/RT	68	48		4137	460	26	40		16	23					
33	HIGHLAND DR.		LT/RT	67	43		3764	419	24	36		15	21					
							SUBTOTAL	58351	3229	4990	2004	59	2855					
TOTALS CARRIED TO GENERAL SUMMARY								58351	8219		2004	59	2855					



CALCULATED
MSS
CHECKED
DEN

PAVEMENT CALCULATIONS

US-20/EUCLID AVE

NO.	DESCRIPTION	REV. BY	DATE
1	ITEM DESCRIPTION UPDATED	MSS	3/23/22

O:\2020\2020044\02\Euclid Ave\Design\Roadway\Sheets\2020044_CC001.dwg 23-Mar-22 11:40 AM

SHEET NO.	REF. NO.	STATION TO STATION		SIDE	LENGTH (L) FT	AVERAGE WIDTH (W) FT	SURFACE AREA (A) (A = L x W) SF	CADD GENERATED AREA SF	202	202	204	254	301	304	407	407	441	441	441	609	875
		FROM	TO						PAVEMENT REMOVED SY	CURB REMOVED FT	SUBGRADE COMPACTION SY	PAVEMENT PLANING, ASPHALT CONCRETE, AS PER PLAN (T = 3") SY	ASPHALT CONCRETE BASE, PG64-22 CY	AGGREGATE BASE CY	NON-TRACKING TACK COAT (0.055 GAL/SY) GAL	NON-TRACKING TACK COAT (0.085 GAL/SY) GAL	ASPHALT CONCRETE SURFACE COURSE, TYPE 1, (448), AS PER PLAN, (PG64-22) CY	ASPHALT CONCRETE SURFACE COURSE, TYPE 1, (448), (PG64-22) CY	ASPHALT CONCRETE INTERMEDIATE COURSE, TYPE 2, (448) CY	CURB, TYPE 6 FT	LONGITUDINAL JOINT ADHESIVE LB
36		CHARDON RD. (EAST)		LT	42	26	1204					134			8	12		5	7		
37		E. 212TH ST.		LT	20	11	258					29			2	3		1	2		
38		E. 214TH ST.		LT	26	15	446					50			3	5		2	3		
39		E. 219TH ST.		LT	30	22	893					100			6	9		4	5		
40		E. 221ST ST.		LT	24	20	523					59			4	5		3	3		
40		E. 222ND ST.		LT	79	18	1871					208			12	18		8	11		
49		E. 243RD ST.		RT	39	17	887					99			6	9		4	5		
52		E. 248TH ST.		LT	25	20	667					75			5	7		3	4		
55		E. 254TH ST.		LT	25	15	451					51			3	5		2	3		
56		BABITT RD.		LT	36	16	708					79			5	7		3	4		
58		KNUTH AVE.		LT	35	53	4750					528			30	45		19	26		
58		RICHMOND RD.		LT	62	44	3518					391			22	34		14	20		
59		E. 261ST.		LT	28	22	926					103			6	9		4	6		
60		MAGNOLIA DR.		RT	48	24	1430					159			9	14		6	8		
63		TREMAINE DR.		RT	26	22	884					99			6	9		4	5		
65		E. 276TH ST.		LT	27	31	1234					138			8	12		5	7		
65		E. 276TH ST.		RT	23	31	1214					135			8	12		5	7		
66		HILLDALE DR.		RT	25	37	1528					170			10	15		6	9		
67		I-90 EB ON RAMP (WEST)		RT	24	33	880					98			6	9		4	5		
67		I-90 EB ON RAMP (EAST)		RT	19	21.00	476					53			3	5		2	3		
67		I-90 EB OFF RAMP		LT	26	23	710					79			5	7		3	4		
25	BR1	4+58.00	6+07.00	LT	149	10	1490		166	149	166		42	28	10	15	6	9	149	15	
26-27	BR2	14+80.00	16+29.00	RT	149	10	1490		166	149	166		42	28	10	15	6	9	149	15	
27	BR3	15+95.00	17+42.00	LT	147	10	1470		163	147	163		41	28	9	14	6	8	147	15	
28	BR4	21+04.00	22+55.00	RT	151	10	1510		168	151	168		42	28	10	15	6	9	151	16	
29-30	BR5	28+42.00	30+14.00	LT	172	10	1720		191	172	191		48	32	11	17	7	10	172	18	
30	BR6	33+06.00	34+64.00	LT	158	10	1580		176	158	176		44	30	10	15	7	9	158	16	
33	BR7	47+10.00	48+51.00	LT	141	10	1410		157	141	157		40	27	9	14	6	8	141	15	
36	BR8	61+55.00	63+03.00	RT	148	10	1480		164	148	164		42	28	10	14	6	8	148	15	
36	BR9	61+56.00	63+03.00	LT	147	10	1470		163	147	163		41	28	9	14	6	8	147	15	
39-40	BR10	78+86.00	80+39.00	LT	153	10	1530		170	153	170		43	29	10	15	6	9	153	16	
40-41	BR11	84+47.00	86+05.00	LT	158	10	1580		176	158	176		44	30	10	15	7	9	158	16	
46	BR12	112+59.00	114+09.00	LT	150	10	1500		167	150	167		42	28	10	15	6	9	150	15	
55-56	BR13	159+53.00	161+07.00	LT	154	10	1540		171	154	171		43	29	10	15	6	9	154	16	
57-58	BR14	168+30.00	169+90.00	LT	160	10	1600		178	160	178		45	30	10	16	7	9	160	16	
59-60	BR15	179+04.00	180+55.00	LT	151	10	1510		168	151	168		42	28	10	15	6	9	151	16	
61	BR16	185+75.00	187+26.00	LT	151	10	1510		168	151	168		42	28	10	15	6	9	151	16	
66	BR17	205+15.00	206+65.00	LT	150	10	1500		167	150	167		42	28	10	15	6	9	150	15	
								SUBTOTAL	2879	2589	2879	2837	725	487	335	505	106	107	297	2589	266
TOTALS CARRIED TO GENERAL SUMMARY									2879	2589	2879	2837	725	487	840		106	107	297	2589	266

CALCULATED	JAK
CHECKED	AKF

PAVEMENT CALCULATIONS

US-20/EUCLID AVE

24
82