

140'-11 1/4" ACROW BRIDGE DECK OVERALL

ACROW 140FT DSR1H BRIDGE

LEVEL PROFILE

ELEVATION

PLAN

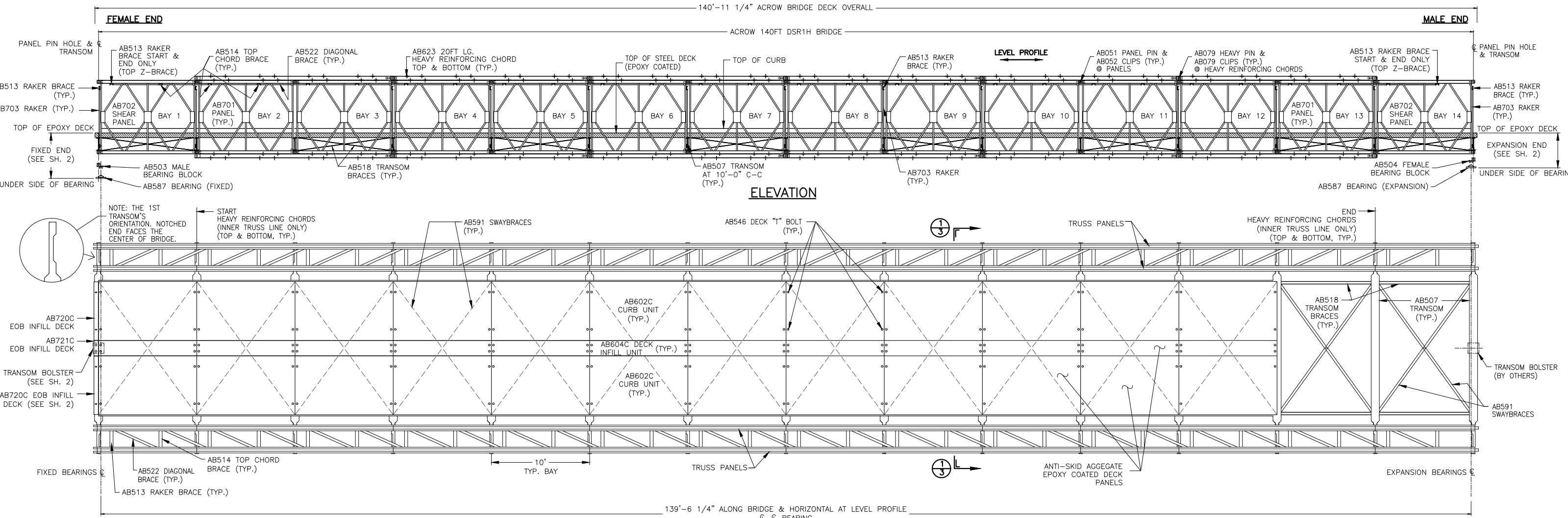
SECTION 1/3

**FOR INFORMATION ONLY
NOT FOR CONSTRUCTION**

INFORMATION DISCLOSED HEREIN IS THE PROPERTY OF ACROW CORPORATION OF AMERICA. THIS MATERIAL IS PRIVILEGED AND CONFIDENTIAL. IT IS INTENDED SOLELY FOR THE ADDRESSEE. ANY UNAUTHORIZED DISCLOSURE, REPRODUCTION, OR DISTRIBUTION IS PROHIBITED. DUPLICATION OF ANY PORTION OF THIS DATA SHALL INCLUDE THIS LEGEND. COPYRIGHT ACROW CORP. 2023

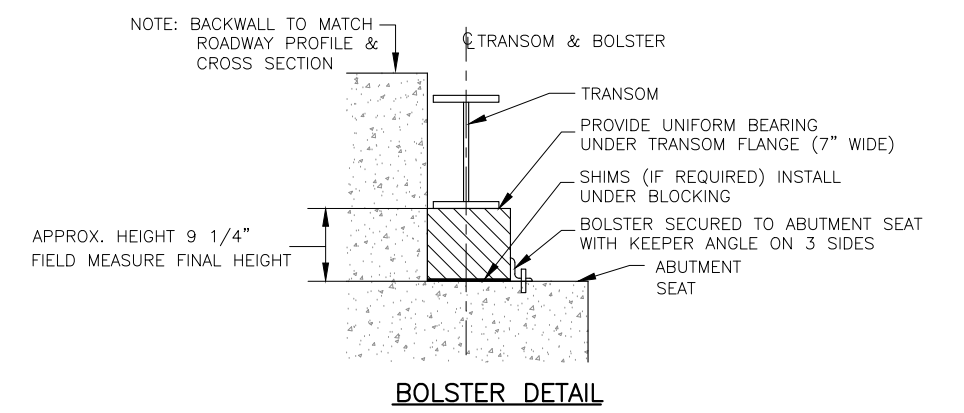
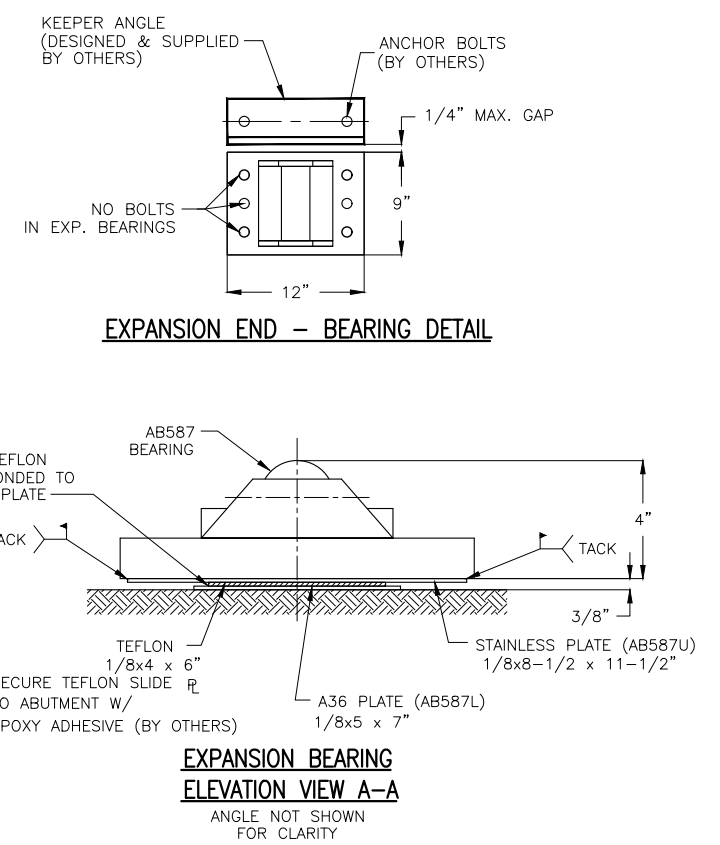
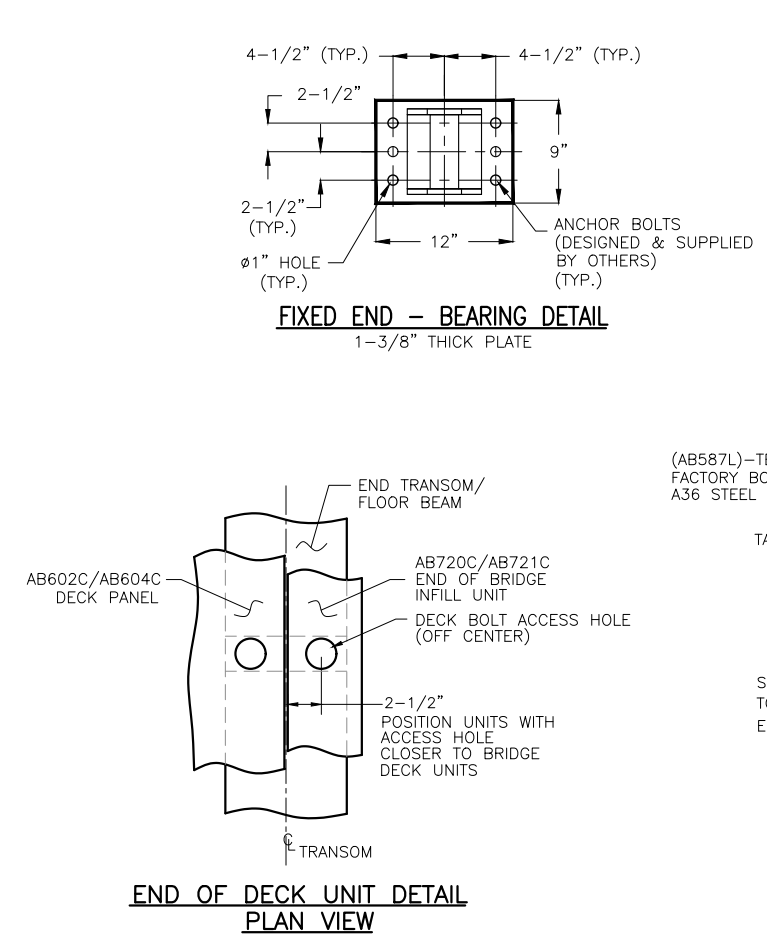
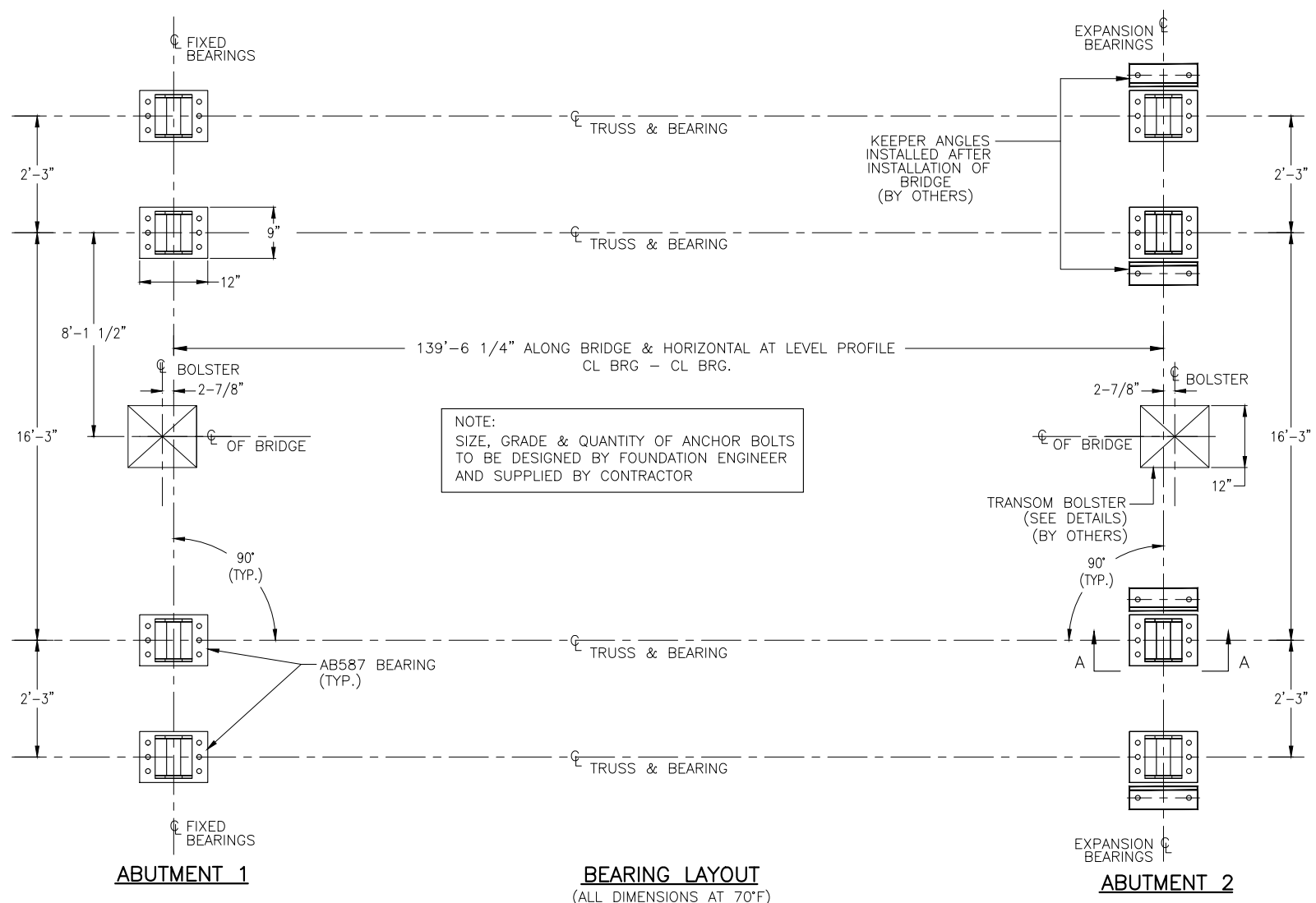
		Building Bridges. Connecting People. Acrow Corporation of America 181 New Road, Parsippany, NJ 07054	
		PLAN, ELEVATION & SECTION 140FT x EW DSR1H BRIDGE UNION STREET OVER TINKERS CREEK TEMPORARY UTILITY BRIDGE BEDFORD OHIO	
DRAWN BY: AC CHECKED BY: MAD APPROVED BY: XX	DATE: NOVEMBER 14, 2023 SCALE: NTS	PROJECT NO.: 23-223 DRAWING NO.: PROPOSAL SHT 1 OF 2	ODOT DISTRICT 12 GARFIELD HEIGHTS, OHIO

REV.	DATE	DESCRIPTION	BY	CHK.	APPR.

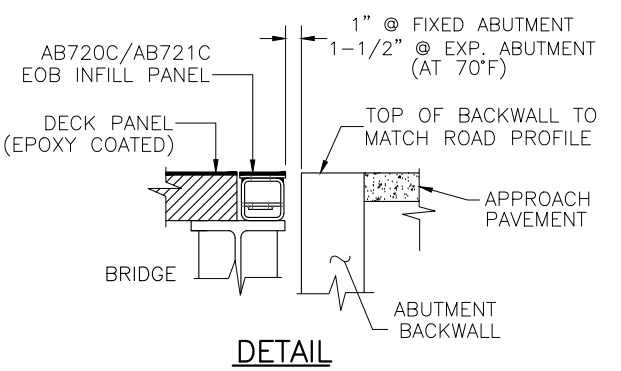
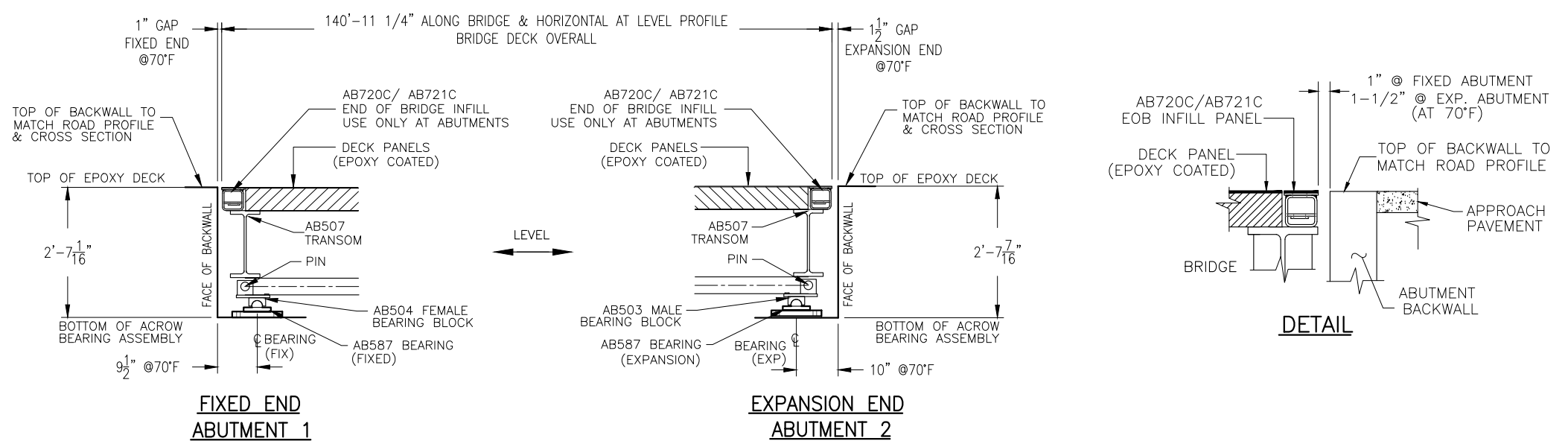


139'-6 1/4" ALONG BRIDGE & HORIZONTAL AT LEVEL PROFILE
 CL-CL BEARING

ABUTMENT 1 ABUTMENT 2



**FOR INFORMATION ONLY
NOT FOR CONSTRUCTION**



- NOTE:**
- HARDWOOD BLOCKING IS RECOMMENDED; FINAL BOLSTER DESIGN IS BY OTHERS
 - BOLSTER HEIGHT WILL VARY BASED ON TRANSOM TYPE/DEAD LOADS
 - BOLSTER TO MATCH SLOPE OF TRANSOM FLANGE
 - INSTALL BOLSTER TO A TIGHT FIT AFTER BRIDGE & DECK ARE IN PLACE
 - SHIM PLATES USED FOR TIGHT FIT ARE TO BE INSTALLED UNDER BLOCKING
 - BOLSTER TO BE SECURED FROM MOVEMENT AFTER INSTALLATION

INFORMATION DISCLOSED HEREIN IS THE PROPERTY OF ACROW CORPORATION OF AMERICA. THIS MATERIAL IS PRIVILEGED AND CONFIDENTIAL. IT IS INTENDED SOLELY FOR THE ADDRESSEE. ANY UNAUTHORIZED DISCLOSURE, REPRODUCTION, OR DISTRIBUTION IS PROHIBITED. DUPLICATION OF ANY PORTION OF THIS DATA SHALL INCLUDE THIS LEGEND. COPYRIGHT ACROW CORP. 2023

SEAL	ACROW BRIDGE Building Bridges. Connecting People. Acrow Corporation of America 181 New Road, Parsippany, NJ 07054		
BEARING LAYOUT & DETAILS 140FT x EW DSR1H BRIDGE UNION STREET OVER TINKERS CREEK TEMPORARY UTILITY BRIDGE BEDFORD OHIO			
DRAWN BY	AC	DATE	NOVEMBER 14, 2023
CHECKED BY	MAD	SCALE:	NTS
APPROVED BY	XX	PROJECT NO.	23-223
ODOT DISTRICT 12 GARFIELD HEIGHTS, OHIO			DRAWING NO. PROPOSAL SHT 2 OF 2

REV.	DATE	DESCRIPTION	BY	CHK.	APPR.