

I:\Projectdata\101196\Design\Structures_General\Sheets\101196_GS002_Addendum R2.dgn Default 29-MAR-2021 3:07PM eschecke

STRUCTURE REPAIR (SFN 6900062) (PUT-115-01.32 OVER SUGAR CREEK)				
ITEM	EXT.	DESCRIPTION	UNIT	TOTAL
516	01301	ELASTOMERIC STRIP SEAL WITHOUT STEEL EXTRUSIONS, AS PER PLAN (SEE SHT, 7)	FT	70
STRUCTURE REPAIR (SFN 0200506) (ALL-696-0020 OVER WB US 30 & RAMP D)				
ITEM	EXT.	DESCRIPTION	UNIT	TOTAL
512	10100	SEALING OF CONCRETE STRUCTURE (EXPOXY-EURETHANE)	SY	31
519	11101	PATCHING CONCRETE STRUCTURE, AS PER PLAN (SEE SHT. 7)	SF	200
SPECIAL	51912510	PATCHING CONCRETE BRIDGE DECK (SEE THIS SHEET)	SY	27
843	50000	PATCHING CONCRETE STRUCTURES WITH TROWELABLE MORTAR	SF	75
STRUCTURE REPAIR (SFN 8801630) (WYA-30-1821 OVER INTERMITTENT WATERWAY)				
ITEM	EXT.	DESCRIPTION	UNIT	TOTAL
PIPE LINER OPTION A: SS 837 LINER PIPE (SEE PN 138)				
503	11100	COFFERDAMS AND EXCAVATION BRACING		LS
837	10000	LINER PIPE, 54" OD 707.34 OR 52" OD 748.06 (SEE DETAIL AND NOTE BELOW)	FT	472
837	21000	BACKFILL FOR LINER PIPE	FT	472
PIPE LINER OPTION B: SS 833 CONDUIT RENEWAL USING SPRAY APPLIED STRUCTURAL LINER (SEE PN 138)				
833	10000	CONDUIT RENEWAL USING SPRAY APPLIED STRUCTURAL LINER, ROUND CONDUIT (60" DIAMETER)	FT	472
PIPE LINER OPTION C: SS 899 CURED-IN-PLACE PIPE LINER (SEE PN 138)				
899	10000	CURED-IN-PLACE PIPE LINER (60" DIAMETER)	FT	472

WORK TO BE PERFORMED

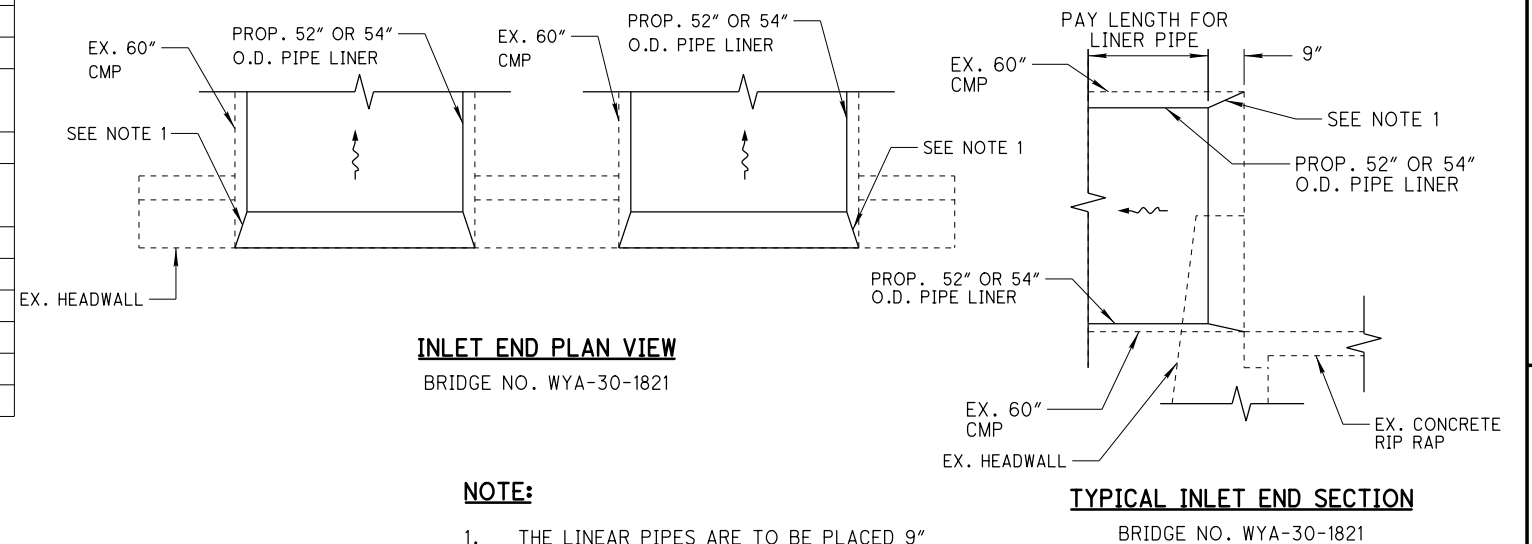
County	Route	SLM	Feature Intersected	SFN	Description of Work
Replace Approach Slabs					
HAN	SR 15	2090L	LYE CREEK	3200574	Replace Approach Slabs, patch deck & abutment/wingwalls, install curtain walls, and treat deck with GFR
HAN	SR 15	2090R	LYE CREEK	3200604	Replace Approach Slabs, patch deck & abutment/wingwalls, install curtain walls, and treat deck with GFR
Joint Replacement					
ALL	IR 75	1181C	RAMP C OVER NS RR	0202401	Replace damaged intermediate joint
ALL	SR 696	00200	US 30 WB & RAMP D	0200506	Replace pressure relieved joint, repair median sections, & patch deck
PUT	SR 115	0132	SUGAR CREEK	6900062	Strip Seal Gland Replacement
Pipe Lining					
WYA	US 30	1821	INTERMITTENT WATERWAY	8801630	Line Twin 60" Alum.

ITEM SPECIAL, PATCHING CONCRETE BRIDGE DECK

THIS ITEM SHALL BE COMPLETED PER THE SPECIFICATIONS IN PROPOSAL NOTE 512. THE CONTRACTOR HAS THE OPTION TO USE PATCHING MATERIAL TYPE A, B OR C TO COMPLETE THE REPAIRS WITHIN THE TIME FRAMES PERMITTED IN THE PLANS.

THIS ITEM SHALL BE USED TO COMPLETE REPAIRS TO CONCRETE ON BRIDGE DECKS AND APPROACH SLABS AS PER THE "WORK TO BE PERFORMED" LIST ON THIS SHEET AND TO ADDRESS ANY POT HOLES OR CONCRETE SCALING THAT EXISTS.

STRUCTURE REPAIR (SFN 3200574) (HAN-15-2090 L OVER LYE CREEK)				
ITEM	EXT.	DESCRIPTION	UNIT	TOTAL
202	22900	APPROACH SLAB REMOVED	SY	134
509	10000	EPOXY COATED REINFORCING STEEL	LB	1182
510	10000	DOWEL HOLES WITH NONSHRINK, NONMETALLIC GROUT	EACH	158
512	10600	CONCRETE REPAIR BY EPOXY INJECTION	FT	10
512	73500	TREATING CONCRETE BRIDGE DECKS WITH GRAVITY-FED RESIN	SY	442
519	11101	PATCHING CONCRETE STRUCTURE, AS PER PLAN (SEE SHT. 7)	SF	175
SPECIAL	51911900	PATCHING CONCRETE STRUCTURES, MISC.: ABUTMENT BACKWALL (SEE SHT. 7)	CY	6
SPECIAL	51912510	PATCHING CONCRETE BRIDGE DECK (SEE THIS SHEET)	SY	40
526	25001	REINFORCED CONCRETE APPROACH SLABS (T=15"), AS PER PLAN (SEE SHT. 7)	SY	134
843	50000	PATCHING CONCRETE STRUCTURES WITH TROWELABLE MORTAR	SF	50
STRUCTURE REPAIR (SFN 3200604) (HAN-15-2090 R OVER LYE CREEK)				
ITEM	EXT.	DESCRIPTION	UNIT	TOTAL
202	22900	APPROACH SLAB REMOVED	SY	134
509	10000	EPOXY COATED REINFORCING STEEL	LB	1182
510	10000	DOWEL HOLES WITH NONSHRINK, NONMETALLIC GROUT	EACH	158
512	10600	CONCRETE REPAIR BY EPOXY INJECTION	FT	15
512	73500	TREATING CONCRETE BRIDGE DECKS WITH GRAVITY-FED RESIN	SY	442
519	11101	PATCHING CONCRETE STRUCTURE, AS PER PLAN (SEE SHT. 7)	SF	320
SPECIAL	51911900	PATCHING CONCRETE STRUCTURES, MISC.: ABUTMENT BACKWALL (SEE SHT. 7)	CY	6
SPECIAL	51912510	PATCHING CONCRETE BRIDGE DECK (SEE THIS SHEET)	SY	50
526	25001	REINFORCED CONCRETE APPROACH SLABS (T=15"), AS PER PLAN (SEE SHT. 7)	SY	134
843	50000	PATCHING CONCRETE STRUCTURES WITH TROWELABLE MORTAR	SF	160
STRUCTURE REPAIR (SFN 0202401) (ALL-75-1181C OVER NORFOLK AND SOUTHERN RR)				
ITEM	EXT.	DESCRIPTION	UNIT	TOTAL
202	11203	PORTIONS OF STRUCTURE REMOVED, OVER 20 FT SPAN, AS PER PLAN (SEE SHT. 7)		LS
511	34410	CLASS QC2 CONCRETE, SUPERSTRUCTURE	CY	1
512	10100	SEALING OF CONCRETE SURFACES (EPOXY-URETHANE)	SY	1
516	12301	STRIP SEAL EXPANSION JOINT ANCHORED WITH ELASTOMERIC CONCRETE, AS PER PLAN (SEE SHTS 12-13)	FT	28



NOTE:

1. THE LINER PIPES ARE TO BE PLACED 9" SHORTER THAN THE EXISTING PIPES ON THE INLET ENDS. BACKFILL FOR THE LINER PIPES TO BE SLOPED TO TRANSITION FROM THE INLET ENDS OF THE LINER PIPES TO THE INLET ENDS OF THE EXISTING CORRUGATED METAL PIPES.

DESIGN AGENCY: ODOT DISTRICT ONE
 PLANNING & ENGINEERING
 DATE: VARIOUS
 REVIEWED: VARIOUS
 DRAWN: EJS
 DESIGNED: EJS
 STRUCTURE FILE NUMBER: VARIOUS
 CHECKED: VARIOUS
 STRUCTURE GENERAL NOTES & ESTIMATED QUANTITIES
 D01-BM-FY21
 PID No. 101196
 2 / 7
 8 / 13