

LDENNIS@D07CD109 - STLIST.m - Monday October 23 2000 10:23:47 AM EDT

REINFORCING STEEL LIST

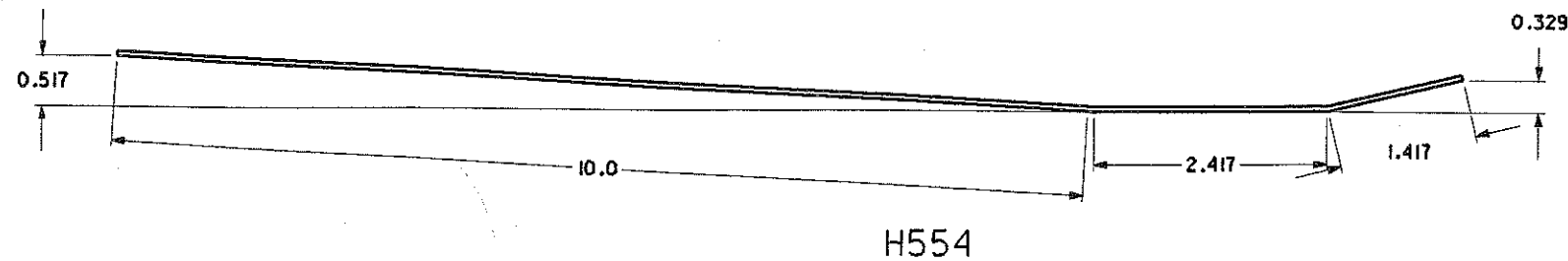
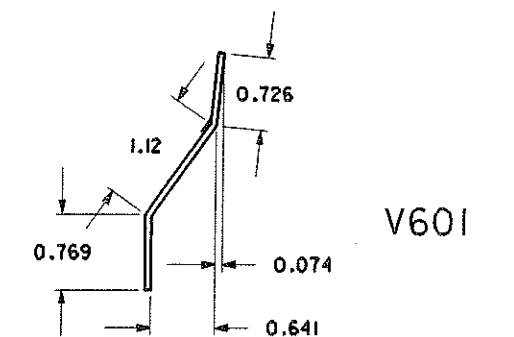
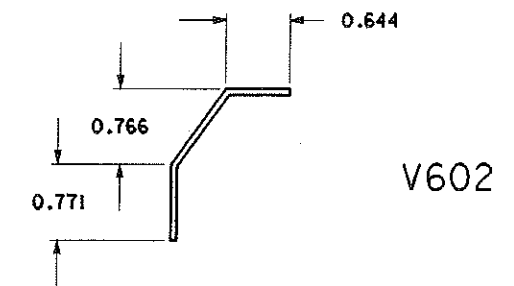
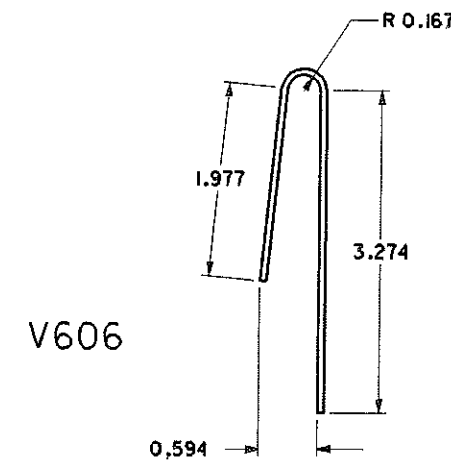
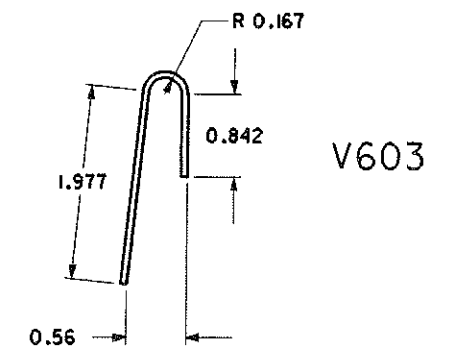
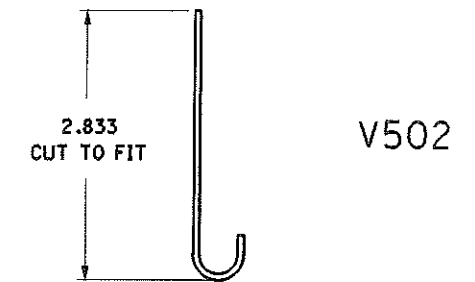
BAR MARK	NO. OF BARS	BAR LENGTH Feet	TOTAL BAR LENGTH	SHAPE	EPOXY COATED REINFORCING STEEL	EAST PARAPET	WEST PARAPET	
					Lbs			
H551	272	15.67	4262	S	4445	136	136	TRIM TO FIT
H552	32	12.92	413	S	431	16	16	TRIM TO FIT
H553	8	17.42	139	S	145	4	4	
H554	12	13.83	166	B	173	6	6	
H555	12	1.25	15	S	16	6	6	
H556	20	14.92	298	S	311	10	10	
H557	8	10.17	81	S	84	4	4	
V502	40	3.47	139	B	145	20	20	TRIM TO FIT
V601	1264	2.60	3286	B	4936	632	632	
V602	40	2.30	92	B	138	20	20	
V603	1256	3.41	4283	B	6433	628	628	
V604	32	3.17	101	S	152	16	16	
V605	40	3.50	140	S	210	20	20	TRIM TO FIT
V606	16	5.84	93	B	140	8	8	

TOTAL = 14628 lb
 FOR INFORMATION ONLY
 INCLUDED FOR PAYMENT WITH ITEM 517 - RAILING FACED, AS PER PLAN

REINFORCING STEEL

ASTM A 615, A 616, OR A 617; GRADE 60.
 fy = 60 ksi

ALL DIMENSIONS IN FEET



REINFORCING STEEL TABLE

LOGAN COUNTY
LOG-117-0671

10/10

DESIGNED DATE REVISIONS CHECKED
 LEE LEE LEE 08-28-00