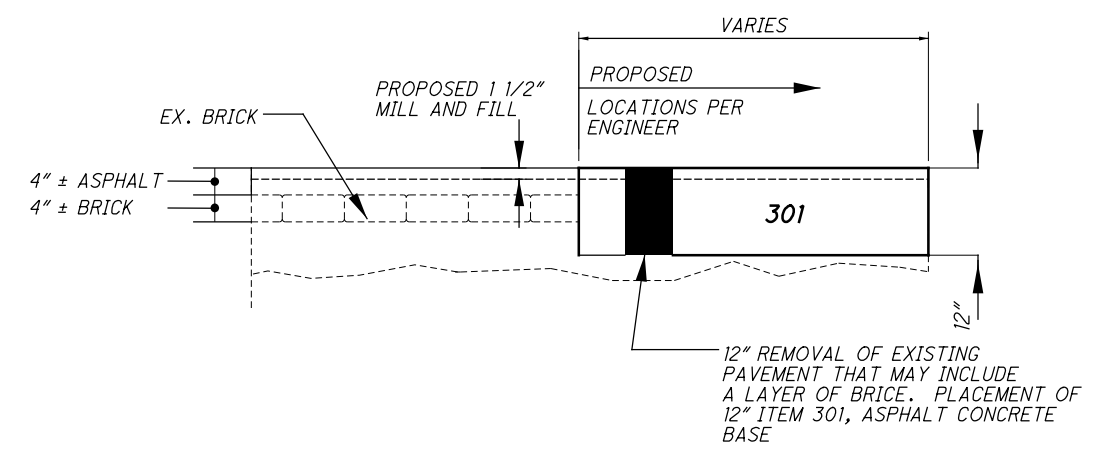


TRENCH DRAIN, AS PER PLAN DETAIL

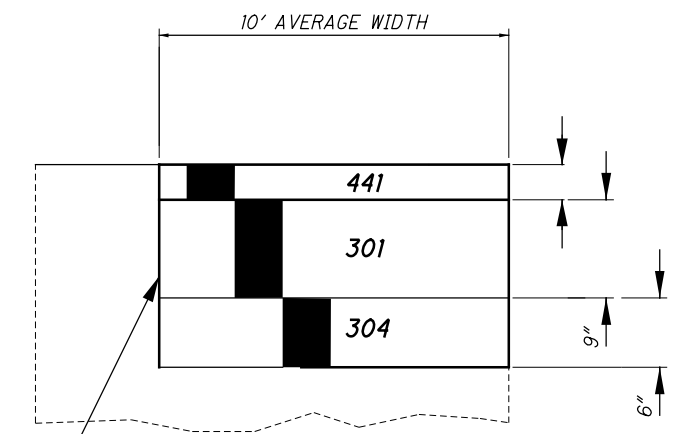
FOR MORE INFORMATION ON TRENCH DRAINS, SEE SUPPLEMENTAL SPECIFICATION 839.

ITEM 839 - TRENCH DRAIN WITH STANDARD GRATE, AS PER PLAN SHALL INCLUDE REMOVAL OF EXISTING TRENCH DRAIN AND SURROUNDING CONCRETE.



PARTIAL DEPTH PAVEMENT REPAIR DETAIL

SEE GENERAL NOTES FOR MORE INFORMATION REGARDING ITEM 251-PARTIAL DEPTH PAVEMENT REPAIR, (ASPHALT CONCRETE BASE) AS PER PLAN.



18" REMOVAL OF EXISTING PAVEMENT. PLACEMENT OF 3" ITEM 441 ASPHALT SURFACE COURSE, 9" ITEM 301 ASPHALT CONCRETE BASE, AND 6" ITEM 304 AGGREGATE BASE

FULL DEPTH PAVEMENT REPAIR DETAIL

SEE GENERAL NOTES FOR MORE INFORMATION REGARDING ITEM 253- PAVEMENT REPAIR, AS PER PLAN.

I:\Project+Data\06090_DEL-37-9.18\Design\Roadway\Sheets\06090_GA001.dgn GA001 3/9/2020 10:45:50 AM rmcneill

