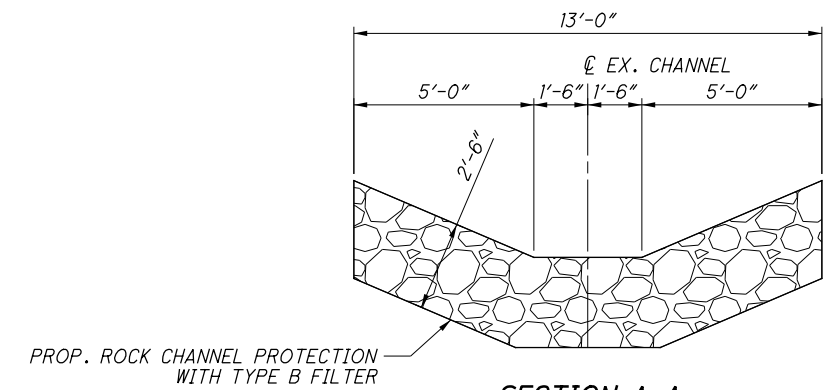
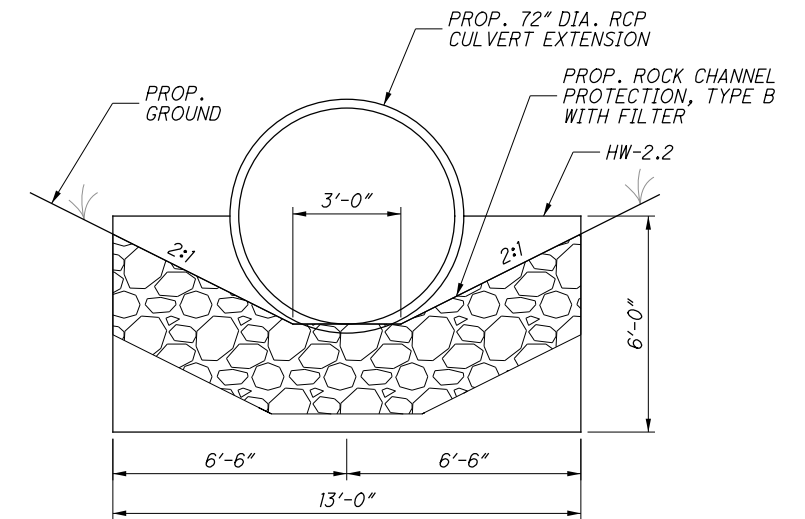


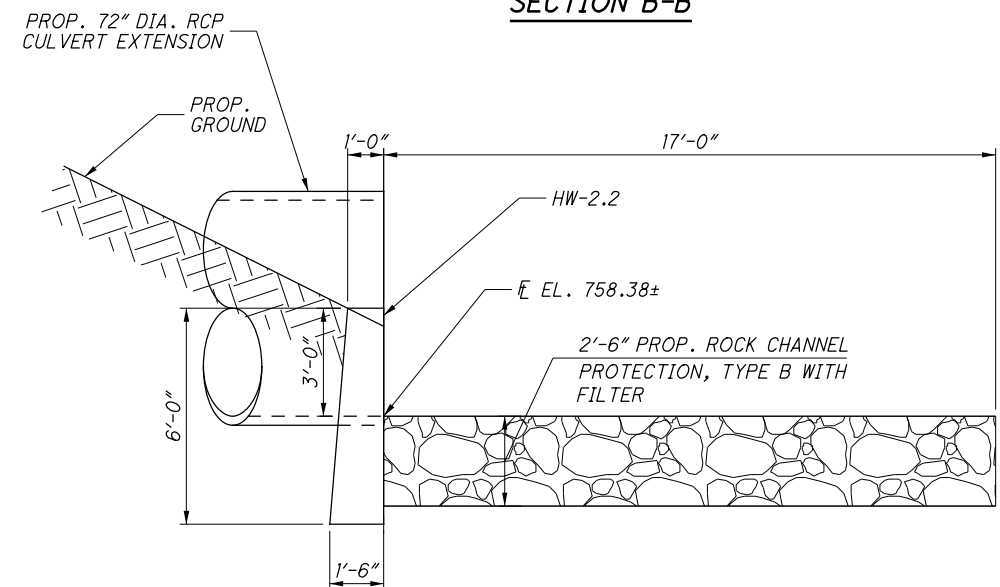
OUTLET PLAN



SECTION A-A



SECTION B-B



SECTION C-C

ESTIMATED QUANTITIES				CALC.	DATE
				BFK	8/22/18
				CHK'D	DATE
				JDH	8/22/18
ITEM	ITEM EXT.	UNIT	DESCRIPTION	TOTAL	SHT. REF.
202	20010	EACH	HEADWALL REMOVED	1	
202	35200	FT	PIPE REMOVED, OVER 24"	8	
601	32100	CY	ROCK CHANNEL PROTECTION, TYPE B WITH FILTER	21	
602	20000	CY	CONCRETE MASONRY	2.8	
503	11100	LS	COFFERDAMS AND EXCAVATION BRACING	19	
611	26000	FT	72" CONDUIT, TYPE A (706.02)	19	
SPECIAL	69071000		ASBESTOS ABATEMENT (CULVERT JOINT MATERIAL)	LS	213 / 264

ITEM SPECIAL - ASBESTOS ABATEMENT (CULVERT JOINT MATERIAL):

AN ASBESTOS SURVEY OF THE BRIDGE AND CULVERT STRUCTURES SCHEDULED FOR DEMOLITION WAS COMPLETED IN NOVEMBER 2016 BY A CERTIFIED ASBESTOS HAZARD EVALUATION SPECIALIST (CAHES). THE SURVEY IDENTIFIED THE POTENTIAL/PRESUMED ASBESTOS CONTAINING MATERIALS AT THE LOCATIONS LISTED BELOW:

ASBESTOS ABATEMENT TABLE			
CULVERT FILE NUMBER	ASBESTOS CONTAINING MATERIAL	LOCATION	ESTIMATED QUANTITY
1812232	BLACK-JOINT SEALANT	JOINT BETWEEN PIPE SEGMENTS	4 S.F.

THE QUANTITY OF 4 S.F. INCLUDES AN ESTIMATED 4 S.F. PER JOINT LOCATED ON THE INSIDE AND OUTSIDE OF THE PIPE FOR A TOTAL OF 1 JOINT.

A COPY OF THE OHIO ENVIRONMENTAL PROTECTION AGENCY (OEPA) NOTIFICATION OF DEMOLITION AND RENOVATION FORM WITH SECTIONS I-VII AND XVI COMPLETED IS AVAILABLE AT THE ODOT DISTRICT 6 OFFICE (PLANNING DEPARTMENT). THE FORM MUST BE SUBMITTED TO OEPA AT LEAST 10 DAYS PRIOR TO DEMOLITION/RENOVATION ACTIVITIES.

A LICENSED CONTRACTOR SHALL TAKE WHATEVER PRECAUTIONS ARE POSSIBLE TO ENSURE THAT THE ASBESTOS CONTAINING MATERIAL (ACM) DOES NOT BECOME FRIABLE. TO ASSURE THAT THE NONFRIABLE ASBESTOS MATERIAL DOES NOT BECOME FRIABLE OR IN THE EVENT THAT THE NONFRIABLE MATERIAL BECOMES FRIABLE, THE CONTRACTOR SHALL PROVIDE AN INDIVIDUAL TRAINED IN THE PROVISIONS OF NESHAP THAT WILL BE ON-SITE DURING THE DEMOLITION AND/OR REMOVAL OF THE ACM. ALL ACMS SHALL BE PROPERLY CONTAINERIZED, TRANSPORTED, AND DISPOSED OF IN ACCORDANCE WITH STATE AND FEDERAL REGULATIONS.

BASIS OF PAYMENT: THE CONTRACTOR SHALL FURNISH ALL THE LABOR (INCLUDING CAHES), EQUIPMENT, AND MATERIALS NECESSARY TO COMPLETE, SUBMIT, AND COMPLY WITH THE OEPA NOTIFICATION FOR AND TO REMOVE, TRANSPORT AND DISPOSE OF ASBESTOS CONTAINING MATERIALS IN A LICENSED (BY THE LOCAL HEALTH DEPARTMENT) AND PERMITTED (BY THE OEPA) SOLID WASTE FACILITY. PAYMENT FOR THIS WORK SHALL BE MADE AT THE CONTRACT PRICES BID LUMP SUM. THE FOLLOWING QUANTITIES HAVE BEEN INCLUDED IN THE RESPECTIVE CULVERT ESTIMATED QUANTITIES FOR THE WORK NOTED ABOVE: 690E71000 ITEM SPECIAL - ASBESTOS ABATEMENT (CULVERT JOINT MATERIAL), LUMP SUM

FOR ADDITIONAL INFORMATION SEE PROJECT ASBESTOS REPORT DATED 11/10/2016.

LEGEND:

* = DIMENSION MAY VARY AS DEPENDENT UPON FIRST JOINT LOCATION