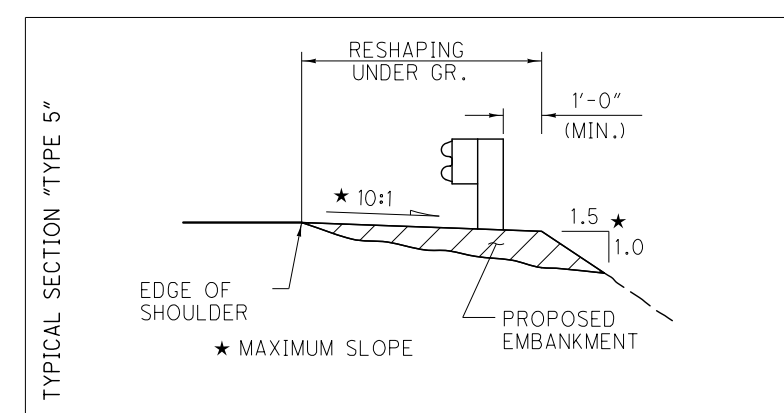


NOTES:

- 1. ALL QUANTITIES CARRIED TO SHEET 12

LOCATION	ITEM	DESCRIPTION	UNIT	QUANTITY		TOTAL
				LEFT	RIGHT	
	203	EMBANKMENT, AS PER PLAN	CY	10	2	12



I:\projects\88767\roadway\sheets\88767GR001.dgn