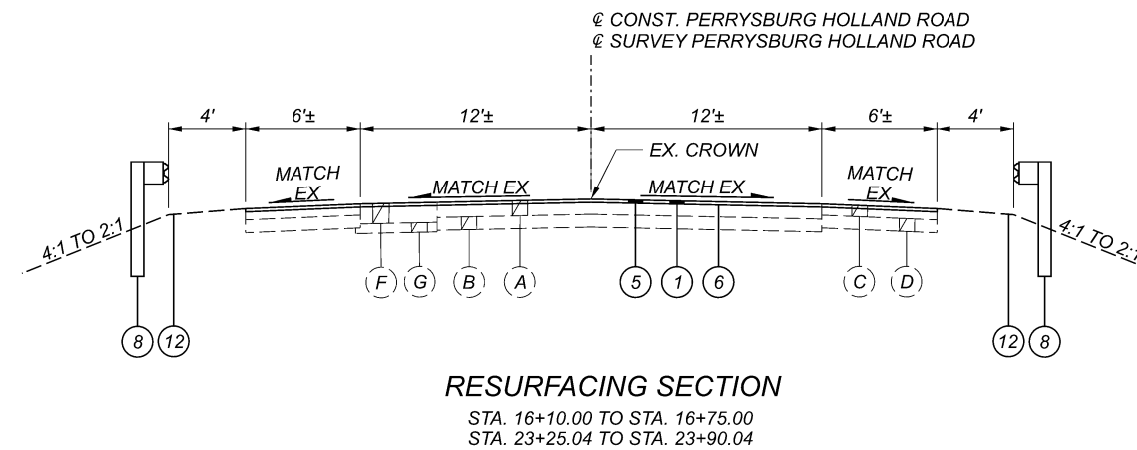


STATION APPLICATION LEFT:
 STA. 13+61.17 TO STA. 16+10.00
 STA. 23+90.04 TO STA. 26+65.63

STATION APPLICATION RIGHT:
 STA. 14+10.75 TO STA. 16+10.00
 STA. 23+90.04 TO STA. 25+63.90



STA. 16+10.00 TO STA. 16+75.00
 STA. 23+25.04 TO STA. 23+90.04

LEGEND

- (1) ITEM 442 - 2" ASPHALT CONCRETE SURFACE COURSE, 9.5 mm, TYPE A (448)
- (2) ITEM 442 - 1½" ASPHALT CONCRETE SURFACE COURSE, 9.5 mm, TYPE A (448)
- (3) ITEM 301 - 9" ASPHALT CONCRETE BASE (TWO LIFTS)
- (4) ITEM 304 - 6" AGGREGATE BASE
- (5) ITEM 254 - 2" PAVEMENT PLANING
- (6) ITEM 407 - NON-TRACKING TACK COAT
- (7) ITEM 526 - REINFORCED CONCRETE APPROACH SLABS (T=17")

- (8) ITEM 606 - GUARDRAIL, TYPE MGS WITH LONG POSTS
- (9) ITEM 606 - MGS BRIDGE TERMINAL ASSEMBLY, TYPE 1, AS PER PLAN
- (10) ITEM 609 - CURB, TYPE 4-A
- (11) ITEM 609 - CURB, TYPE 4-C
- (12) ITEM 209 - RESHAPING UNDER GUARDRAIL
- (13) ITEM 203 - EMBANKMENT
- (14) ITEM 204 - SUBGRADE COMPACTION

EXISTING LEGEND

- (A) 9.5" ASPHALT PAVEMENT
- (B) 8" CONCRETE
- (C) 7" ASPHALT PAVEMENT
- (D) 8" STONE BASE
- (E) GUARDRAIL
- (F) 11.75" ASPHALT CONCRETE
- (G) 6" STONE BASE

TYPICAL SECTIONS

DESIGN AGENCY



BERGMANN
 ARCHITECTS ENGINEERS PLANNERS
 3224 Executive Parkway, Ste. III,
 Toledo, OH 43606

DESIGNER
MAS

REVIEWER
 XF 05/18/21

PROJECT ID
 110516

SHEET TOTAL
 3 56

A VARIES: 12.09' AT STA. 16+75.00 TO 11' AT STA. 17+40.02
 11' AT STA. 17+40.02 TO STA. 17+44.56
 11' AT STA. 22+55.48 TO STA. 22+60.02
 VARIES: 11' AT STA. 22+60.02 TO 12.20' AT STA. 23+25.04

B VARIES: 11.44' AT STA. 16+75.00 TO 11' AT STA. 17+40.02
 11' AT STA. 17+40.02 TO STA. 17+44.56
 11' AT STA. 22+55.48 TO STA. 22+60.02
 VARIES: 11' AT STA. 22+60.02 TO 11.78' AT STA. 23+25.04

C VARIES: 5.2' AT STA. 16+75.00 TO 7.17' AT STA. 17+40.02
 7.17' AT STA. 17+40.02 TO STA. 17+44.56
 7.17' AT STA. 22+55.48 TO STA. 22+60.02
 VARIES: 7.17' AT STA. 22+60.02 TO 6.42' AT STA. 23+25.04

D VARIES: 6.04' AT STA. 16+75.00 TO 4' AT STA. 17+40.02
 4' AT STA. 17+40.02 TO STA. 17+44.56
 4' AT STA. 22+55.48 TO STA. 22+60.02
 VARIES: 4' AT STA. 22+60.02 TO 5.6' AT STA. 23+25.04

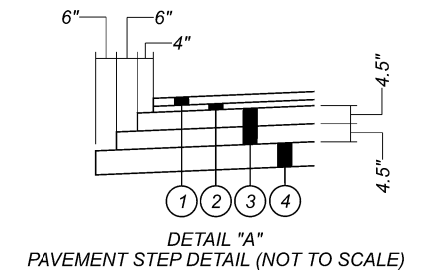
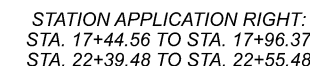
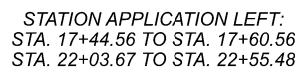
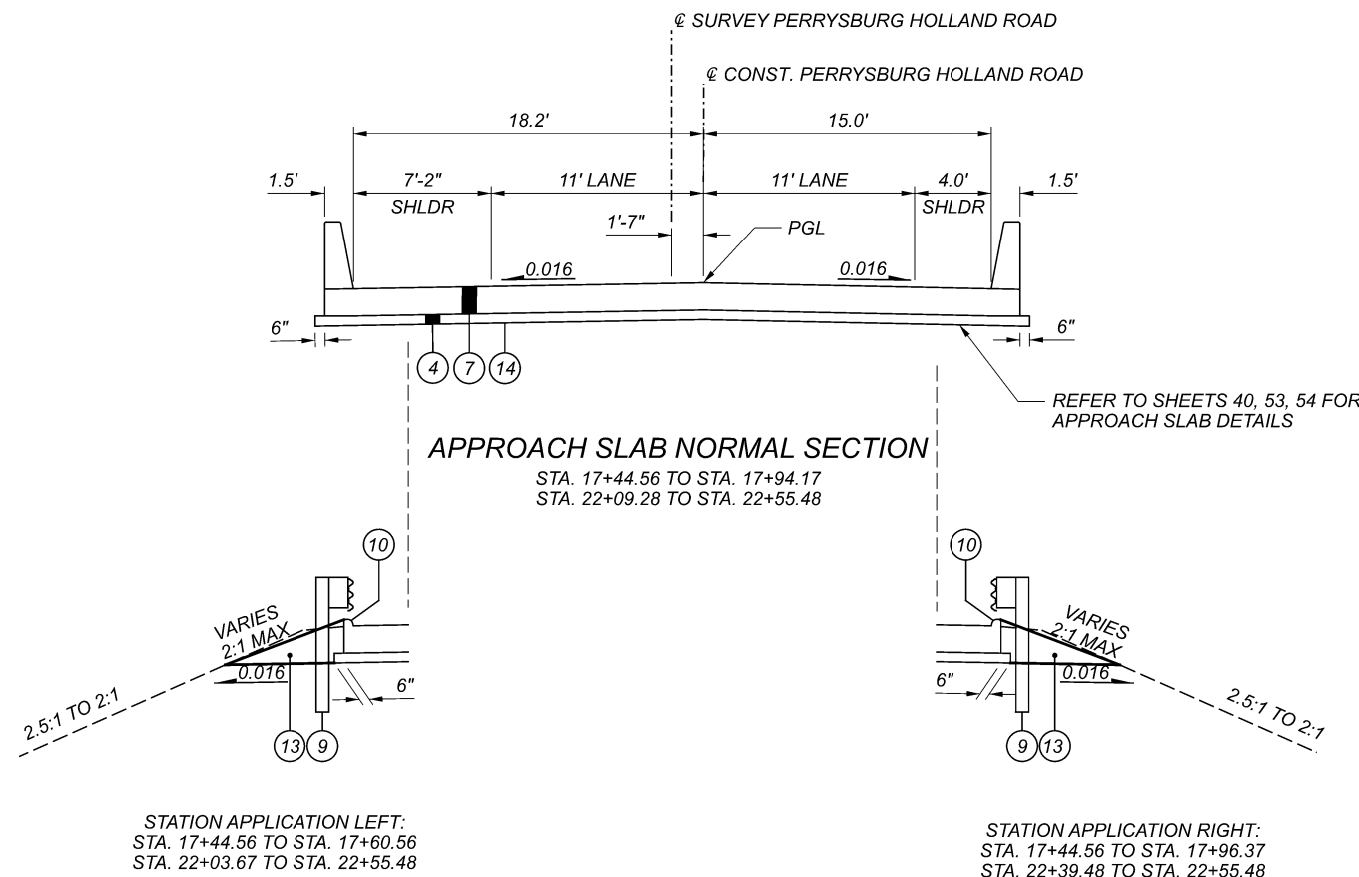
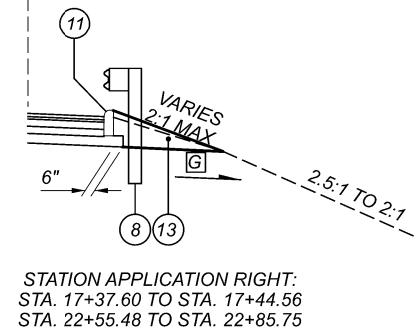
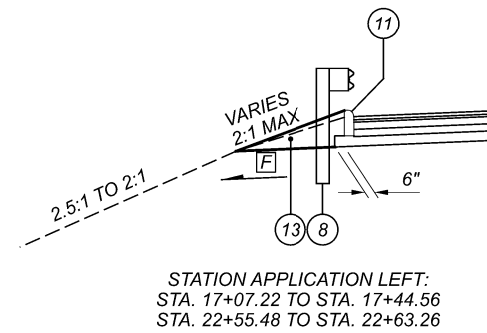
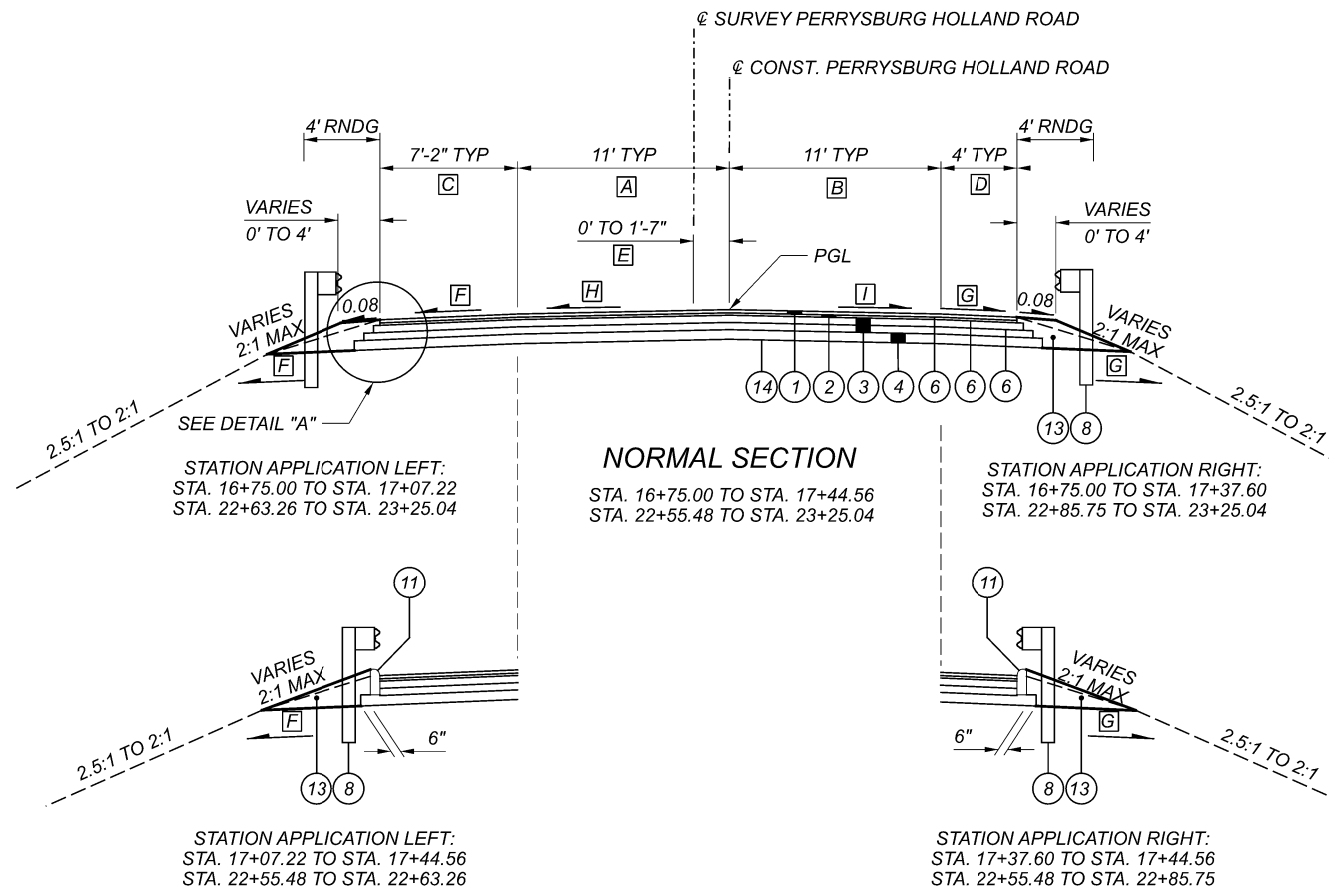
E VARIES: 0' AT STA. 16+75.00 TO 1.58' AT STA. 17+40.02
 1.58' AT STA. 17+40.02 TO STA. 17+44.56
 1.58' AT STA. 22+55.48 TO STA. 22+60.02
 VARIES 1.58' AT STA. 22+60.02 TO 0' AT STA. 23+25.04

F VARIES: 0.035 AT STA. 16+75.00 TO 0.016 AT STA. 17+40.02
 0.016 AT STA. 17+40.02 TO STA. 17+44.56
 0.016 AT STA. 22+55.48 TO STA. 22+60.02
 VARIES: 0.016 AT STA. 22+60.02 TO 0.041 AT STA. 23+25.04

G VARIES: 0.060 AT STA. 16+75.00 TO 0.016 AT STA. 17+40.02
 0.016 AT STA. 17+40.02 TO STA. 17+44.56
 0.016 AT STA. 22+55.48 TO STA. 22+60.02
 VARIES: 0.016 AT STA. 22+60.02 TO 0.042 AT STA. 23+25.04

H VARIES: 0.022 AT STA. 16+75.00 TO 0.016 AT STA. 17+40.02
 0.016 AT STA. 17+40.02 TO STA. 17+44.56
 0.016 AT STA. 22+55.48 TO STA. 22+60.02
 VARIES: 0.016 AT STA. 22+60.02 TO 0.029 AT STA. 23+25.04

I VARIES: 0.032 AT STA. 16+75.00 TO 0.016 AT STA. 17+40.02
 0.016 AT STA. 17+40.02 TO STA. 17+44.56
 0.016 AT STA. 22+55.48 TO STA. 22+60.02
 VARIES: 0.016 AT STA. 22+60.02 TO 0.029 AT STA. 23+25.04



TYPICAL SECTIONS

DESIGN AGENCY	B
BERGMANN	ARCHITECTS ENGINEERS PLANNERS
3224 Executive Parkway, Ste. III, Totals, OH 43006	
DESIGNER	MAS
REVIEWER	XF 05/18/21
PROJECT ID	110516
SHEET	TOTAL
4	56

LUC-475-3.82

MODEL: Sheet PAPER: LUC-475-3.82 DATE: 10/25/2021 TIME: 8:46:37 AM USER: xfeng
 P:\Projects\0001\0447100_0001-LUC-475-3.86 Bridge Redeck\4.0_Dwg\400-Engineering\Roadway\Sheets\10516_G0001.dgn

SHEET NUM.							PART.	ITEM	ITEM	GRAND	UNIT	DESCRIPTION	SEE SHEET NO.
5	6	7	8	12	30	39	OFFICE CALCS	01/BRO/B R	EXT	TOTAL			
ROADWAY													
LS								LS	201	11000	LS	CLEARING AND GRUBBING	
1								1	201	21800	1	EACH	TREE REMOVED, 18"
				868				868	202	23000	868	SY	PAVEMENT REMOVED
				40				40	202	32000	40	FT	CURB REMOVED
				1,582				1582	202	38000	1,582	FT	GUARDRAIL REMOVED
				100				100	202	75000	100	FT	FENCE REMOVED
				165				165	203	10000	165	CY	EXCAVATION
				86				86	203	20000	86	CY	EMBANKMENT
							41	41	203	35110	41	CY	GRANULAR MATERIAL, TYPE B
							949	949	204	10000	949	SY	SUBGRADE COMPACTION
2								2	204	45000	2	hour	PROOF ROLLING
				12			1,010	1,010	204	50000	1,010	SY	GEOTEXTILE FABRIC
				1,175				12	209	15000	12	STA	RESHAPING UNDER GUARDRAIL
				4				1,175	606	15100	1,175	FT	GUARDRAIL, TYPE MGS WITH LONG POSTS
								4	606	26150	4	EACH	ANCHOR ASSEMBLY, MGS TYPE E, MASH 2016
				4				4	606	35003	4	EACH	MGS BRIDGE TERMINAL ASSEMBLY, TYPE 1, AS PER PLAN
				100				100	607	23000	100	FT	FENCE, TYPE CLT
				100				100	607	70000	100	FT	FENCELINE SEEDING AND MULCHING
LS								LS	SPECIAL	69071000	LS		ASBESTOS ABATEMENT, BRIDGE RAILING CAULK
1								1	SPECIAL	69071050	1	EACH	ASBESTOS INSPECTION
								584	840	23000	584	CY	SELECT GRANULAR BACKFILL
								2,321	863	00100	2,321	SY	GEOGRID, TYPE P1
EROSION CONTROL													
103								103	601	20011	103	CY	CRUSHED AGGREGATE SLOPE PROTECTION, AS PER PLAN
				143		8		151	601	21060	151	SY	TIED CONCRETE BLOCK MAT WITH TYPE 2 UNDERLAYMENT
				18				18	601	32200	18	CY	ROCK CHANNEL PROTECTION, TYPE C WITH FILTER
37								37	659	00300	37	CY	TOPSOIL
329								329	659	10000	329	SY	SEEDING AND MULCHING
16								16	659	14000	16	SY	REPAIR SEEDING AND MULCHING
16								16	659	15000	16	SY	INTER-SEEDING
0.04								0.04	659	20000	0.04	TON	COMMERCIAL FERTILIZER
0.07								0.07	659	31000	0.07	ACRE	LIME
0.93								0.93	659	35000	0.93	MGAL	WATER
								10,000	832	30000	10,000	EACH	EROSION CONTROL
DRAINAGE													
								84	611	01500	84	FT	6" CONDUIT, TYPE F
								4	611	99710	4	EACH	PRECAST REINFORCED CONCRETE OUTLET
PAVEMENT													
								520	254	01000	520	SY	PAVEMENT PLANING, ASPHALT CONCRETE, 2"
								137	301	46000	137	CY	ASPHALT CONCRETE BASE, PG64-22
								256	304	20000	256	CY	AGGREGATE BASE
								127	407	20000	127	GAL	NON-TRACKING TACK COAT
								82	442	10500	82	CY	ASPHALT CONCRETE SURFACE COURSE, 9.5 MM, TYPE A (448)
				83				83	609	24510	83	FT	CURB, TYPE 4-C
TRAFFIC CONTROL													
								7	621	00100	7	EACH	RPM
								16	621	54000	16	EACH	RAISED PAVEMENT MARKER REMOVED
								8	626	00102	8	EACH	BARRIER REFLECTOR, TYPE 1, BIDIRECTIONAL
								26	626	00116	26	EACH	BARRIER REFLECTOR, TYPE 5, BIDIRECTIONAL
								84	630	03100	84	FT	GROUND MOUNTED SUPPORT, NO. 3 POST
								1	630	08600	1	EACH	SIGN POST REFLECTOR
								45	630	80100	45	SF	SIGN, FLAT SHEET
								45	630	81100	45	SF	SIGN ERECTED, FLAT SHEET
								6	630	84900	6	EACH	REMOVAL OF GROUND MOUNTED SIGN AND DISPOSAL
								6	630	86002	6	EACH	REMOVAL OF GROUND MOUNTED POST SUPPORT AND DISPOSAL
								0.3	646	10010	0.3	MILE	EDGE LINE, 6"
								0.15	646	10200	0.15	MILE	CENTER LINE

GENERAL SUMMARY

DESIGN AGENCY



BERGMANN
 ARCHITECTS ENGINEERS PLANNERS
 3234 Everest Parkway, Ste 111,
 Toledo, OH 43606

DESIGNER
MAS

REVIEWER
 XF 05/18/21

PROJECT ID
 110516

SHEET TOTAL
 10 56