

A VARIES FROM 17.0' TO 29.5' FROM STA. 159+70.00 TO STA. 161+30.00
 29.5' FROM STA. 161+30.00 TO STA. 162+28.00
 VARIES FROM 29.5' TO 17.0' FROM STA. 162+28.00 TO STA. 163+66.00

VARIES FROM 17.0' TO 27.0' FROM STA. 219+57.00 TO STA. 221+28.00
 27.0' FROM STA. 221+28.00 TO STA. 223+10.00

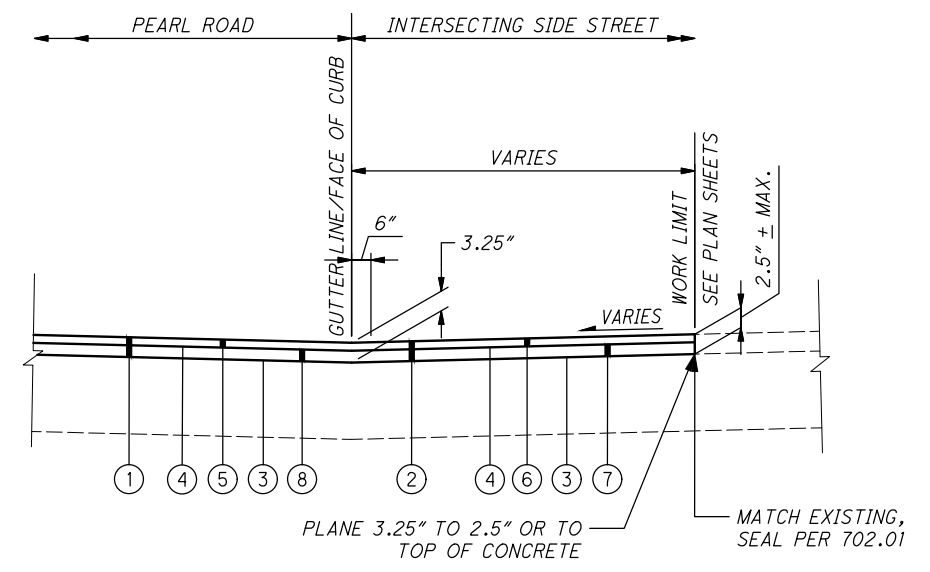
VARIES FROM 17.0' TO 28.0' FROM STA. 300+71.00 TO STA. 302+01.00
 28.0' FROM STA. 302+01.00 TO STA. 304+90.00
 VARIES FROM 28.0' TO 17.0' FROM STA. 304+90.00 TO STA. 305+55.00

VARIES FROM 17.0' TO 27.0' FROM STA. 314+65.00 TO STA. 315+60.00
 27.0' FROM STA. 315+60.00 TO STA. 318+61.00
 VARIES FROM 27.0' TO 17.0' FROM STA. 318+61.00 TO STA. 319+47.00

VARIES FROM 17.0' TO 28.0' FROM STA. 321+06.00 TO STA. 322+17.00
 28.0' FROM STA. 322+17.00 TO STA. 324+78.00
 VARIES FROM 28.0' TO 17.0' FROM STA. 324+78.00 TO STA. 325+66.00

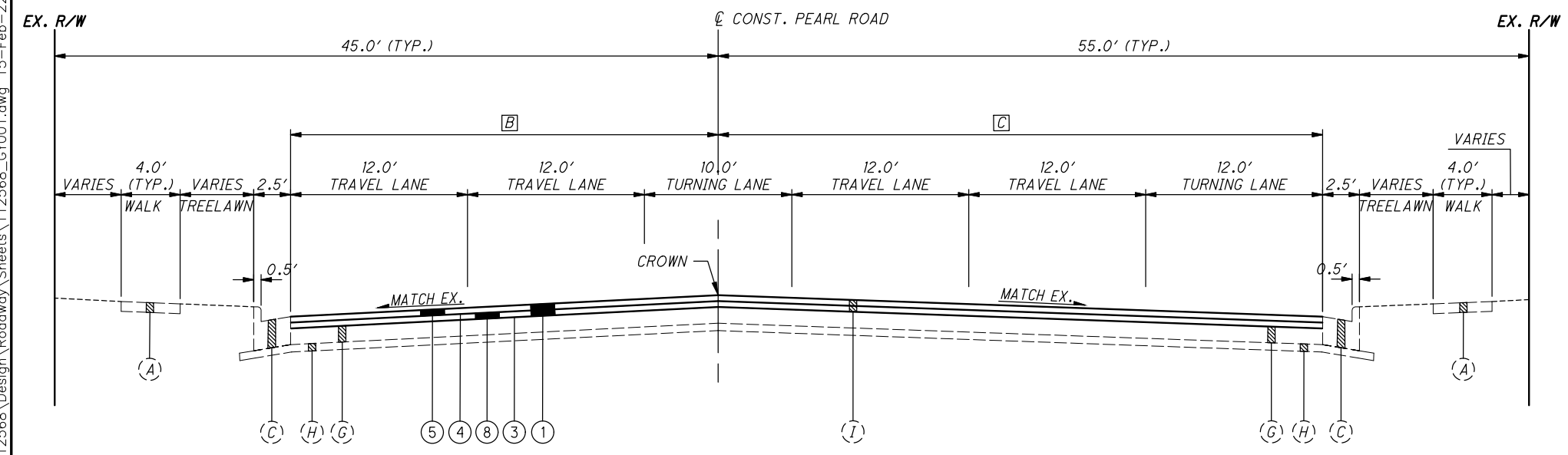
PEARL ROAD (RESURFACING)
SECTION APPLIES:

STA. 130+75.00 TO STA. 187+30.00	=	5,655.00'
STA. 203+17.00 TO STA. 335+48.35	=	13,231.35'
TOTAL	=	18,886.35'



TYPICAL INTERSECTION FEATHER DETAIL
 NOT TO SCALE

- EXISTING LEGEND:**
- (A) EX. CONCRETE WALK
 - (B) EX. CONCRETE CURB, TYPE 2-B
 - (C) EX. CONCRETE CURB AND GUTTER
 - (D) EX. ASPHALT WEARING COURSE (T=2.00" MIN, 5.00" MAX, 3.00" TYP.)*
 - (E) EX. CONCRETE BASE (T=9.0" TYP.)*
 - (F) EX. ASPHALT BASE (T=3.00" MIN, 7.00" MAX, 4.00" TYP.)*
 - (G) EX. ASPHALT BASE (T=8.00" TYP.)*
 - (H) EX. AGGREGATE BASE
 - (I) EX. ASPHALT WEARING COURSE (2.50" TYP.)*
- * SEE NOTES ON SHEET 15 FOR ADDITIONAL PAVEMENT THICKNESS INFORMATION.



B VARIES FROM 17.0' TO 29.0' FROM STA. 187+30.00 TO STA. 191+48.00
 29.0' FROM STA. 191+48.00 TO STA. 196+20.05
 41.0' FROM STA. 196+20.05 TO STA. 199+75.00
 VARIES FROM 41.0' TO 17.0' FROM STA. 199+75.00 TO STA. 202+40.00
 17.0' FROM STA. 202+40.00 TO STA. 203+17.00

C VARIES FROM 17.0' TO 17.0' FROM STA. 187+30.00 TO STA. 187+53.00
 41.0' FROM STA. 187+53.00 TO STA. 190+97.00
 41.0' FROM STA. 190+97.00 TO STA. 196+20.05
 29.0' FROM STA. 196+20.05 TO STA. 199+77.00
 VARIES FROM 29.0' TO 17.0' FROM STA. 199+77.00 TO STA. 203+17.00

PEARL ROAD (RESURFACING)
SECTION APPLIES:

STA. 187+30.00 TO STA. 203+17.00	=	1,587.00'
TOTAL	=	1,587.00'

- PROPOSED LEGEND:**
- ① ITEM 254 - PAVEMENT PLANING, ASPHALT CONCRETE, AS PER PLAN (3.25" UNIFORM)
 - ② ITEM 254 - PAVEMENT PLANING, ASPHALT CONCRETE, (2½" TO 3¼" VARIABLE DEPTH PLANING)
 - ③ ITEM 407 - TACK COAT, 702.13 (APPLIED AT 0.09 GAL/SY)
 - ④ ITEM 407 - NON-TRACKING TACK COAT (APPLIED AT 0.06 GAL/SY)
 - ⑤ ITEM 441 - 1 1/2" ASPHALT CONCRETE SURFACE COURSE, TYPE 1, (446), PG 70-22M, AS PER PLAN
 - ⑥ ITEM 441 - 1 1/2" ASPHALT CONCRETE SURFACE COURSE, TYPE 1, (448), PG 64-22, AS PER PLAN
 - ⑦ ITEM 441 - ASPHALT CONCRETE INTERMEDIATE COURSE, TYPE 1, (448), AS PER PLAN, (1" MIN. TO 1.75" MAX), (PG 64-22)
 - ⑧ ITEM 441 - 1 3/4" ASPHALT CONCRETE INTERMEDIATE COURSE, TYPE 2, (446), AS PER PLAN

P:\21112 Pearl Road Resurfacing\112568\Design\Roadway\Sheets\112568_GY001.dwg 15-Feb-22 10:14 AM

GENERAL

UTILITIES

LISTED BELOW ARE ALL UTILITIES LOCATED WITHIN THE PROJECT CONSTRUCTION LIMITS TOGETHER WITH THEIR RESPECTIVE OWNERS:

SEWER
MEDINA COUNTY SANITARY ENGINEER
ATTN: BEN ROMINE
791 WEST SMITH ROAD
MEDINA, OHIO 44256
PHONE: (330) 232-8788

TELECOMMUNICATIONS
ACD TELECOM
ATTN.: SHIRLEY YOHNKA
1800 N. GRAND RIVER AVENUE
LANSING, MICHIGAN 48906
PHONE: (517) 999-3240

WATER
CITY OF CLEVELAND DIVISION OF WATER
ATTN.: FRED ROBERTS
1201 LAKESIDE AVENUE
CLEVELAND, OHIO 44114
PHONE: (216) 664-2444 EXT. 75590
EMERGENCY DISPATCH
PHONE: (216) 664-3060
INSPECTION
PHONE: (216) 664-2342

WIDE OPEN WEST (WOW)
ATTN.: MARK FREY
105 BLAZE INDUSTRIAL PARKWAY
BEREA, OHIO 44017
PHONE: (440) 625-0349

AT&T OHIO
ATTN.: JAMES JANIS
13630 LORAIN AVENUE, ROOM 350
CLEVELAND, OHIO 44111
PHONE: (216) 476-6142

GAS
COLUMBIA GAS OF OHIO
ATTN.: DAN SUREN
7080 FRY ROAD
MIDDLEBURG HEIGHTS, OHIO 44130
PHONE: (440) 891-2428

EVERSTREAM
ATTN.: ROB WOOD
1228 EUCLID AVENUE, SUITE 250
CLEVELAND, OHIO 44115
PHONE: (216) 923-2209

ELECTRIC
OHIO EDISON
ATTN.: JEFF HALL
6326 LAKE AVENUE
ELYRIA, OHIO 44035
PHONE: (440) 326-3207

CHARTER COMMUNICATIONS
ATTN.: GARY NAUMANN
8179 DOW CIRCLE
STRONGSVILLE, OHIO 44136
PHONE: (216) 575-8016, EXT. 5033

PIPELINE
BUCKEYE PARTNERS
ATTN.: DAVE JONES
FIVE TEK PARK
9999 HAMILTON BOULEVARD
BREINIGSVILLE, PA 18031
PHONE: (610) 904-4409

MCI METRO
ATTN.: DAN ARZ
12300 RIDGE ROAD
NORTH ROYALTON, OHIO 44133
PHONE: (440) 457-4832

FRONTIER COMMUNICATIONS
ATTN.: RANDY HOWARD
6223 NORWALK ROAD
MEDINA, OHIO 44256
PHONE: (330) 722-9586

THE LOCATION OF THE UNDERGROUND UTILITIES SHOWN ON THE PLANS ARE AS OBTAINED FROM THE OWNERS AS REQUIRED BY SECTION 153.64 O.R.C.

LOCAL LAWS, ORDINANCES, AND REGULATIONS

IN ACCORDANCE WITH SECTION 107.01 OF THE GENERAL PROVISIONS, THE CONTRACTOR SHALL STAY FULLY INFORMED OF ALL LOCAL LAWS, ORDINANCES, REGULATIONS, ORDERS, AND DECREES THAT AFFECT THE WORK. IT IS THE CONTRACTOR'S RESPONSIBILITY TO OBSERVE AND COMPLY WITH ALL SUCH LAWS, ORDINANCES, REGULATIONS, ORDERS, AND DECREES AT NO ADDITIONAL COST TO THE PROJECT/CITY.

CONTRACTOR'S RESPONSIBILITY FOR UTILITY PROPERTY AND SERVICES

AT PROJECT LOCATIONS WHERE THE CONTRACTOR IS WORKING ADJACENT TO PROPERTY OR SERVICES OF UTILITY COMPANIES SUCH AS, BUT NOT LIMITED TO, POWER, TELECOMMUNICATIONS, GAS, ETC. WORK SHALL NOT COMMENCE UNTIL ARRANGEMENTS FOR PROPER PROTECTION OF SUCH FACILITIES HAVE BEEN MADE, AS DIRECTED BY 107.16 OF THE ODOT CMS.

WORK LIMITS

THE WORK LIMITS SHOWN ON THESE PLANS ARE FOR PHYSICAL CONSTRUCTION ONLY. THE INSTALLATION, AND OPERATION (INCLUDING ERECTION, MAINTENANCE AND REMOVAL) OF ALL WORK ZONE TRAFFIC CONTROL AND WORK ZONE TRAFFIC CONTROL DEVICES REQUIRED BY THESE PLANS, EXCEPT WHERE OTHERWISE NOTED, SHALL BE PROVIDED BY THE CONTRACTOR WHETHER INSIDE OR OUTSIDE THESE WORK LIMITS. IT IS ANTICIPATED THAT ALL WORK WILL BE PERFORMED WITHIN THE EXISTING RIGHT OF WAY ALONG PEARL ROAD, AS SHOWN ON THE PLANS.

STATIONING AND LOCATIONS

STATIONING AND LOCATIONS INDICATED ON THESE PLANS ARE APPROXIMATE. ALL LOCATIONS AND ITEMS CALLED OUT BY STATION ARE SUBJECT TO ADJUSTMENT IN THE FIELD "AS DIRECTED BY THE ENGINEER" AT NO ADDITIONAL COST.

EXISTING TYPICAL SECTIONS

EXISTING TYPICAL SECTIONS HAVE BEEN DEVELOPED FROM SITE MEASUREMENTS AND RECORD PLANS AND ARE BELIEVED TO REPRESENT THE WIDTH AND COMPOSITION OF THE EXISTING PAVEMENT, BUT THE CITY OF BRUNSWICK DOES NOT GUARANTEE THE ACCURACY OF SAME AND SIDE ROAD PAVEMENT TYPES MAY DIFFER.

CONTINGENCY QUANTITIES

THE CONTRACTOR SHALL NOT ORDER MATERIALS OR PERFORM WORK FOR ITEMS DESIGNATED BY PLAN NOTE TO BE USED "AS DIRECTED BY THE ENGINEER" UNLESS AUTHORIZED BY THE ENGINEER. THE ACTUAL WORK LOCATIONS AND QUANTITIES USED FOR SUCH ITEMS SHALL BE INCORPORATED INTO THE FINAL SUBSIDIARY AGREEMENT GOVERNING COMPLETION OF THIS PROJECT.

COOPERATION BETWEEN CONTRACTORS

IT IS ANTICIPATED THAT OTHER CONTRACTORS WILL BE WORKING ON PROJECTS ADJACENT TO OR WITHIN THE LIMITS OF THIS PROJECT, EITHER FOR THE CITY OR FOR OTHER PUBLIC AGENCIES. THE CONTRACTOR SHALL COOPERATE AND COORDINATE HIS OPERATIONS, INCLUDING PROVISIONS FOR THE MAINTENANCE OF TRAFFIC, WITH THE CONTRACTORS OF OTHER PROJECTS THAT MAY BE IN FORCE DURING THE LIFE OF THIS CONTRACT INCLUDING BUT NOT LIMITED TO THE PREVIOUSLY LISTED UTILITY COMPANIES, THE COUNTY, THE CITY OF BRUNSWICK, BRUNSWICK HILLS TOWNSHIP, ODOT, ETC.

FIELD OFFICE, TYPE C, AS PER PLAN

THE CONTRACTOR'S INSURANCE SHALL INCLUDE A RIDER FOR COVERAGE OVER ANY ODOT/CITY PROPERTY INSIDE THE FIELD OFFICE WHICH MAY BECOME DAMAGED OR STOLEN.

THE FOLLOWING QUANTITY HAS BEEN PROVIDED IN THE GENERAL SUMMARY FOR THIS ITEM:

ITEM 619 - FIELD OFFICE, TYPE C, AS PER PLAN 15 MONTH

CONSTRUCTION NOISE

ACTIVITIES AND LAND USE ADJACENT TO THIS PROJECT MAY BE AFFECTED BY CONSTRUCTION NOISE. IN ORDER TO MINIMIZE ANY ADVERSE CONSTRUCTION NOISE IMPACTS, DO NOT OPERATE POWER-OPERATED CONSTRUCTION -TYPE DEVICES DURING THE HOURS OF 7 PM TO 7 AM MONDAY-FRIDAY, AND 7 PM TO 8 AM SATURDAY-SUNDAY, UNLESS OTHERWISE APPROVED BY THE MUNICIPALITY. IN ADDITION, DO NOT OPERATE AT ANY TIME ANY DEVICE IN SUCH A MANNER THAT THE NOISE CREATED SUBSTANTIALLY EXCEEDS THE NOISE CUSTOMARILY AND NECESSARILY ATTENDANT TO THE REASONABLE AND EFFICIENT PERFORMANCE OF SUCH EQUIPMENT.

CONTRACTOR WORK HOURS

THE CONTRACTOR SHALL RESTRICT HIS WORKING HOURS TO THOSE PERMITTED BY LOCAL OR OTHER APPLICABLE ORDINANCE, LAWS AND REGULATIONS UNLESS A WRITTEN VARIANCE HAS BEEN ACCEPTED FROM THE APPROPRIATE GOVERNING AUTHORITIES.

CONSTRUCTION NOTIFICATION

THE CONTRACTOR SHALL ADVISE THE PROJECT ENGINEER A MINIMUM OF FOURTEEN (14) DAYS PRIOR TO THE START OF CONSTRUCTION ACTIVITIES, LANE CLOSURE AND ROAD CLOSURE. THE PROJECT ENGINEER WILL FORWARD THE INFORMATION TO THE CITY AND LOCAL OFFICIALS RESPONSIBLE FOR THE PUBLIC NOTIFICATION.

P:\21112 Pearl Road Resurfacing\112568\Design\Roadway\Sheets\112568_GN001.dwg 15-Feb-22 10:14 AM

CALCULATED
JTS
CHECKED
BAK

GENERAL NOTES

MED-US 42-23.02

9
60

ROADWAY (CONTINUED)

ITEM 608 - CURB RAMP, AS PER PLAN

ALL APPLICABLE PROVISIONS OF ITEM 608 SHALL APPLY EXCEPT AS MODIFIED HEREIN.

608.01 DESCRIPTION.

THIS WORK SHALL CONSIST OF CONSTRUCTING AMERICAN WITH DISABILITIES ACT (ADA) COMPLIANT CURB RAMPS IN ACCORDANCE WITH ODOT'S STANDARD CONSTRUCTION DRAWING BP-7.1 (EXCEPT AS MODIFIED HEREIN) AT THE LOCATIONS SHOWN ON THE PLANS OR AT LOCATIONS DETERMINED BY THE ENGINEER.

608.07 CURB RAMPS.

THE ENGINEER WILL DETERMINE THE EXACT LOCATIONS AND APPROPRIATE CURB RAMP DESIGNS TO BE CONSTRUCTED. EXISTING CURB RAMPS THAT ARE NOT AFFECTED BY THE CONSTRUCTION AND ARE CURRENTLY ADA COMPLIANT NEED NOT BE REPLACED. AT THE COMPLETION OF THE PROJECT ALL CURB RAMPS WITHIN THE PROJECT LIMITS SHALL BE ADA COMPLIANT.

NO ELEVATION DATA IS PROVIDED IN THE PLANS FOR CURB RAMP CONSTRUCTION. THE CONTRACTOR SHALL BE RESPONSIBLE FOR CURB RAMP LAYOUT IN ACCORDANCE WITH ODOT SCD BP-7.1. THE CONTRACTOR SHALL NOT PLACE ANY CONCRETE UNTIL THE CURB RAMP LAYOUT HAS BEEN APPROVED BY THE ENGINEER. THE LAYOUT SHALL PROVIDE THE ENGINEER WITH ALL NECESSARY SLOPES AND WIDTHS FOR APPROVAL.

WHERE PHYSICALLY FEASIBLE, AS DETERMINED BY THE ENGINEER, PROVIDE 3:1 FLARED SIDES IN LIEU OF RETURNED CURBS.

THE ENGINEER (AND CITY/TOWNSHIP) SHALL CAREFULLY CONSIDER POTENTIAL IMPACTS TO UTILITIES AND ADJACENT PROPERTY OWNERS WHEN DETERMINING THE EXACT CURB RAMP LOCATIONS AND DESIGNS.

THICKNESS OF THE CURB RAMP WALK AND CONCRETE BASE BENEATH THE DETECTABLE WARNINGS SHALL BE A MINIMUM OF SIX (6) INCHES. IN ADDITION, A TWO (2) INCH COMPACTED SCREENINGS BED, AS SPECIFIED UNDER "ITEM 608 - 4" CONCRETE WALK, AS PER PLAN", SHALL BE FURNISHED AND PLACED BENEATH ALL CURB RAMP AREAS.

608.09 BASIS OF PAYMENT.

PAYMENT WILL BE MADE UNDER ITEM 608 OR ITEM 608 - CURB RAMP, AS PER PLAN (SF).

THE PER SF PAYMENT FOR CURB RAMPS SHALL ALSO INCLUDE THICKENING THE CONCRETE WALK TO SIX (6) INCHES AND THE REPLACEMENT OF ADJACENT CURB.

PAYMENT FOR FURNISHING AND PLACING THE TWO (2) INCH COMPACTED SCREENINGS BED IS INCLUDED IN THE CONTRACT UNIT PRICE BID FOR ITEM 608 - CURB RAMP, AS PER PLAN WHICH IS MEASURED THROUGH ALL CURB RAMP AREAS.

PROTECTION OF RIGHT-OF-WAY LANDSCAPING

PRIOR TO BEGINNING WORK, THE CONTRACTOR, THE PROJECT ENGINEER, AND A REPRESENTATIVE OF THE MAINTAINING AGENCY WILL REVIEW AND RECORD ALL LANDSCAPING ITEMS WITHIN THE RIGHT-OF-WAY (BOTH WITHIN AND OUTSIDE THE CONSTRUCTION LIMITS). A RECORD OF THIS REVIEW WILL BE KEPT IN THE PROJECT ENGINEERS FILES. PRIOR TO FINAL ACCEPTANCE, A FINAL REVIEW OF LANDSCAPING ITEMS WILL BE MADE.

CONSTRUCT ALL ACTIVITIES, EQUIPMENT STORAGE, AND STAGING TO WITHIN CONSTRUCTION LIMITS. UNLESS OTHERWISE IDENTIFIED IN THE PLANS OR PROPOSAL. THE CONSTRUCTION LIMITS ARE SHOWN ON THE PLANS SHEETS.

ANY ITEMS DAMAGED BEYOND THE CONSTRUCTION LIMITS AS DEFINED ABOVE WILL BE REPLACED IN KIND OR AS APPROVED BY THE PROJECT ENGINEER.

**ITEM 623 - MONUMENT BOX ADJUSTED TO GRADE, AS PER PLAN
ITEM 623 - MONUMENT, MISC.: CUYAHOGA COUNTY MONUMENT BOX
ITEM 623 - MONUMENT, MISC.: CUYAHOGA COUNTY CENTERLINE MONUMENT BOX ASSEMBLY, TYPE 1**

WHERE, AS DETERMINED BY THE ENGINEER, EXISTING MONUMENT BOXES ARE SUITABLE FOR REUSE, THEY SHALL REMAIN UNDISTURBED IN PLACE OR, IF/WHERE REQUIRED, THEY SHALL SIMPLY BE ADJUSTED TO GRADE.

FOR ALL REFERENCES "CUYAHOGA COUNTY MONUMENT BOX", "CUYAHOGA COUNTY CENTERLINE MONUMENT BOX ASSEMBLY, TYPE 1" AND CUYAHOGA COUNTY STANDARD CONSTRUCTION DRAWING "MC-1C" SEE DETAILS ON SHEET 57.

EXISTING MONUMENT BOXES THAT ARE SUITABLE FOR REUSE, MAY BE ADJUSTED USING "ADJUSTING RINGS" AS DETAILED ON THE MB-1C. EXISTING MONUMENT BOXES THAT ARE DETERMINED BY THE ENGINEER TO BE UNSUITABLE FOR REUSE SHALL BE REMOVED AND REPLACED WITH A CUYAHOGA COUNTY MONUMENT BOX AS DETAILED ON THE CUYAHOGA COUNTY ENGINEER'S CONSTRUCTION DRAWING MB-1C, SET TO GRADE.

CARE AND/OR PROTECTIVE MEASURES SHALL BE EMPLOYED BY THE CONTRACTOR TO AVOID DAMAGE OR DISRUPTION OF EXISTING MONUMENTS DURING THE MONUMENT BOX ADJUSTMENT OR REMOVAL AND REPLACEMENT OPERATIONS AND ALL OTHER OPERATIONS IN THE PROXIMITY OF SAID MONUMENTS. THOSE MONUMENTS THAT ARE DISPLACED OR DAMAGED DUE TO THE CONTRACTOR'S NEGLIGENCE SHALL BE REMOVED AND REPLACED WITH A TYPE 1 CUYAHOGA COUNTY CENTERLINE MONUMENT BOX ASSEMBLY UNDER THE SUPERVISION OF A LICENSED SURVEYOR, ALL AT THE CONTRACTOR'S EXPENSE. WHERE NO EXISTING MONUMENTS ARE FOUND WITHIN SAID MONUMENT BOXES OR WHERE MONUMENTS ARE DISPLACED OR DAMAGED AT NO FAULT OF THE CONTRACTOR, THEY SHALL BE PLACED OR REPLACED IN ACCORDANCE WITH "ITEM 623 - MONUMENT, MISC.: CUYAHOGA COUNTY CENTERLINE MONUMENT BOX ASSEMBLY, TYPE 1", AS SPECIFIED BELOW; ALL AT THE DIRECTION OF THE ENGINEER.

WHERE DIRECTED BY THE ENGINEER, THE CONTRACTOR SHALL REMOVE THE EXISTING MONUMENT ASSEMBLY IN ITS ENTIRETY AND SHALL INSTALL, EXCEPTING THE "MONUMENT PIN," THE ENTIRE MONUMENT ASSEMBLY, INCLUDING THE BOX AS DETAILED ON THE CUYAHOGA COUNTY ENGINEER'S CONSTRUCTION DRAWING MB-1C. INSTALLATION SHALL BE SUCH THAT WHEN THE CONTRACTOR PLACES THE "MONUMENT PIN", IT CAN BE CENTERED IN THE BOX. PAYMENT FOR THE ABOVE WORK SHALL BE MADE UNDER ITEM 623 - MONUMENT, MISC.: CUYAHOGA COUNTY CENTERLINE MONUMENT BOX ASSEMBLY, TYPE 1.

EXISTING CONCRETE (BLOCK-OUT) PAVEMENT REMOVED SHALL BE REPLACED USING MEDIUM-SETTING CONCRETE (CLASS QC MS) PER 499.03 OF THE SPECIFICATIONS. ALL WORK SHALL BE PERFORMED AT THE DIRECTION OF THE ENGINEER. PAYMENT FOR THE ABOVE SHALL BE MADE AT THE PER EACH CONTRACT UNIT PRICE BID FOR "ITEM 623 - MONUMENT BOX ADJUSTED TO GRADE, AS PER PLAN," "ITEM 623 - MONUMENT, MISC.: CUYAHOGA COUNTY MONUMENT BOX" OR "ITEM 623 - MONUMENT, MISC.: CUYAHOGA COUNTY CENTERLINE MONUMENT BOX ASSEMBLY, TYPE 1".

MONUMENTS SHALL BE LEFT UNDISTURBED UNTIL THE ENGINEER HAS CHECKED/VERIFIED THE REFERENCES PROVIDED BY THE CONTRACTOR'S SURVEYOR. IN ALL CASES THE CONTRACTOR SHALL CONTACT THE ENGINEER NO LESS THAN TWO (2) WEEKS PRIOR TO THE DISTURBANCE OF ANY EXISTING MONUMENTS.

THE FOLLOWING QUANTITIES ARE CARRIED TO THE GENERAL SUMMARY FOR USE AS DIRECTED BY THE ENGINEER:

ITEM 623 - MONUMENT BOX ADJUSTED TO GRADE, AS PER PLAN	2 EACH
ITEM 623 - MONUMENT, MISC.: CUYAHOGA COUNTY MONUMENT BOX	2 EACH
ITEM 623 - MONUMENT, MISC.: CUYAHOGA COUNTY CENTERLINE MONUMENT BOX ASSEMBLY, TYPE 1	2 EACH

ITEM 623 - MONUMENT MISC.: MONUMENT REFERENCING

THIS ITEM SHALL CONSIST OF LOCATING AND REFERENCING ALL EXISTING ROADWAY AND/OR CENTERLINE MONUMENTS WITHIN THE LIMITS OF THE PROPOSED WORK FOR THE PURPOSES OF RESETTING/REESTABLISHING THEIR EXACT LOCATION IN THE EVENT THEY ARE DISPLACED OR DAMAGED DURING CONSTRUCTION. ALL WORK SHALL BE PERFORMED UNDER THE SUPERVISION OF A LICENSED SURVEYOR PROVIDED BY THE CONTRACTOR AND SHALL BE COMPLETED PRIOR TO THE START OF ANY PROXIMATE GRADING, PAVING OR OTHER SUCH OPERATIONS.

A THOROUGH SEARCH SHALL BE MADE TO LOCATE THE MONUMENTS WITHIN THE LIMITS OF THE PROPOSED WORK. UPON LOCATING THE EXISTING MONUMENTS, THE MONUMENT PINS/POINTS SHALL BE CAREFULLY EXPOSED AND REFERENCED TO NO LESS THAN THREE (3) PERMANENT OBJECTS. ANY EXISTING MONUMENTS THAT MIGHT REQUIRE REPLACEMENT SHALL BE NOTED. THE REFERENCES ALONG WITH ALL NOTATIONS SHALL BE DELIVERED TO THE ENGINEER IMMEDIATELY UPON COMPLETION. ADJUSTMENTS OR REPLACEMENTS OF MONUMENT BOXES OR ASSEMBLIES MAY NOT COMMENCE UNTIL THE REFERENCES HAVE BEEN CHECKED/VERIFIED AND APPROVED BY THE ENGINEER.

THE PER EACH UNIT PRICE PAYMENT FOR THIS WORK SHALL INCLUDE LOCATING THE MONUMENTS, CAREFULLY CLEANING OUT THE MONUMENT BOXES AND/OR EXPOSING THE MONUMENT PINS/POINTS, REFERENCING THE MONUMENTS AND ALL RELATED NOTATION.

THE FOLLOWING ESTIMATED QUANTITY IS PROVIDED IN THE GENERAL SUMMARY FOR ALL MONUMENTS KNOWN TO EXIST OR INITIALLY FOUND/ENCOUNTERED WITHIN THE PROPOSED WORK LIMITS:

ITEM 623 - MONUMENT MISC.: MONUMENT REFERENCING	5 EACH
--------------------------------------------------------	---------------

EXISTING DRIVE AND/OR DRIVE APRON REMOVAL/REPLACEMENT

THE PROPOSED LOCATIONS AND LIMITS OF DRIVE AND/OR DRIVE APRON REMOVALS/REPLACEMENTS ARE SHOWN ON THE PLANS. IN ADDITION TO THE DRIVE APRONS REPLACEMENT LOCATIONS SHOWN ON THE PLANS, THE LIMITS OF CONTINGENCY DRIVE AND/OR DRIVE APRON REMOVALS/REPLACEMENTS REQUIRED TO FACILITATE ADJACENT PAVEMENT, CURB, UNDERDRAIN OR SIDEWALK WORK NOT SHOWN ON THE PLANS SHALL BE AS DIRECTED BY THE ENGINEER. CONTINGENCY QUANTITIES ARE PROVIDED HEREIN FOR REPAIRS TO ABUTTING DRIVE APRONS, DRIVES AND PARKING LOT AREAS UNAVOIDABLY DAMAGED, AS DETERMINED BY THE ENGINEER. AEROSOL SPRAY PAINT FOR OUTLINING SHALL BE PROVIDED BY THE CONTRACTOR.

THE CONTRACTOR SHALL REMOVE AND DISPOSE OF THE DESIGNATED PORTIONS OF EXISTING DRIVES AND/OR DRIVE APRONS PER 202.05 OR 203.04(E), AS APPLICABLE, AND BY METHODS THAT WILL NOT DISTURB, DAMAGE OR UNDERMINE THE ADJACENT PAVEMENT, CURB, SIDEWALK OR THE PORTIONS OF EXISTING DRIVES/DRIVE APRONS INTENDED TO REMAIN IN PLACE. ANY ADJACENT FACILITIES DAMAGED AS A RESULT OF THE CONTRACTOR'S NEGLIGENCE, AS DETERMINED BY THE ENGINEER, AND WHICH ARE NOT OTHERWISE DESIGNATED FOR REPLACEMENT, SHALL BE REPLACED AT THE CONTRACTOR'S EXPENSE, ALL AT THE DIRECTION OF THE ENGINEER.

CONFIGURATIONS AND COMPOSITIONS OF COMPLETELY REPLACED AND PARTIALLY REPLACED DRIVES/DRIVE APRONS SHALL GENERALLY MATCH THE EXISTING, AS DIRECTED BY THE ENGINEER.

THE CONTRACTOR SHALL STAGE HIS/HER OPERATIONS SUCH THAT THE MAXIMUM OUT OF SERVICE TIME FOR ANY RESIDENTIAL DRIVE IS SEVEN (7) DAYS. THE CONTRACTOR SHALL NOTIFY EACH RESIDENT OF ANY RESTRICTED ACCESS TO THEIR PROPERTY NO LATER THAN ONE (1) WEEK IN ADVANCE. ACCESS TO COMMERCIAL AND HANDICAP PROPERTY SHALL BE MAINTAINED AT ALL TIMES.

THE FOLLOWING CONTINGENCY QUANTITIES ARE CARRIED TO THE GENERAL SUMMARY FOR USE AS DIRECTED BY THE ENGINEER:

ITEM 202 - PAVEMENT REMOVED	580 SY
ITEM 203 - EXCAVATION	100 CY
ITEM 204 - SUBGRADE COMPACTION	580 SY
ITEM 304 - AGGREGATE BASE, AS PER PLAN	100 CY
ITEM 452 - 8" NON-REINFORCED CONCRETE PAVEMENT, CLASS QC MS	580 SY

P:\21112 Pearl Road Resurfacing\112568\Design\Roadway\Sheets\112568_GN001.dwg 15-Feb-22 10:14 AM

CALCULATED
JTS
CHECKED
BAK

GENERAL NOTES

MED-US 42-23.02

EROSION CONTROL (CONTINUED)

ITEM 832 - EROSION CONTROL, AS PER PLAN

SEDIMENTATION IMPACTS SHALL BE KEPT TO A MINIMUM THROUGH THE USE OF BEST MANAGEMENT PRACTICES FOR SOIL EROSION AND SEDIMENTATION CONTROL.

ALL SOIL EROSION AND SEDIMENT CONTROL MEASURES AS SPECIFIED HEREIN OR DIRECTED BY THE ENGINEER SHALL BE IN PLACE PRIOR TO ANY EXCAVATION, GRADING OR FILLING OPERATIONS AND INSTALLATION OF PROPOSED STRUCTURES OR UTILITIES. THESE CONTROL MEASURES SHALL REMAIN IN PLACE UNTIL CONSTRUCTION IS COMPLETE AND THE AREA IS STABILIZED AS ACCEPTED BY THE ENGINEER.

THE FOLLOWING ESTIMATED QUANTITY IS PROVIDED FOR TEMPORARY SEDIMENT AND EROSION CONTROL (TSEC) IN ACCORDANCE WITH THE APPLICABLE REQUIREMENTS OF ODOT SUPPLEMENTAL SPECIFICATION 832:

ITEM 832 - EROSION CONTROL, AS PER PLAN 10,000 EACH

DRAINAGE

REVIEW OF DRAINAGE FACILITIES

BEFORE ANY WORK IS STARTED ON THE PROJECT AND AGAIN BEFORE FINAL ACCEPTANCE, THE ENGINEER AND THE CONTRACTOR, ALONG WITH LOCAL REPRESENTATIVES, SHALL MAKE AN INSPECTION OF ALL EXISTING SEWERS WHICH ARE TO REMAIN IN SERVICE AND WHICH MAY BE AFFECTED BY THE WORK. THE CONDITION OF THE EXISTING CONDUITS AND THEIR APPURTENANCES SHALL BE DETERMINED FROM FIELD OBSERVATIONS. RECORDS OF THE INSPECTION SHALL BE KEPT IN WRITING BY THE ENGINEER.

ALL NEW CONDUITS, INLETS, CATCH BASINS, AND MANHOLES CONSTRUCTED AS A PART OF THE PROJECT SHALL BE FREE OF ALL FOREIGN MATTER AND IN A CLEAN CONDITION BEFORE THE PROJECT WILL BE ACCEPTED.

ALL EXISTING SEWERS INSPECTED INITIALLY BY THE ABOVE-MENTIONED PARTIES SHALL BE MAINTAINED AND LEFT IN A CONDITION REASONABLY COMPARABLE TO THAT DETERMINED BY THE ORIGINAL INSPECTION. ANY CHANGE IN THE CONDITION RESULTING FROM THE CONTRACTOR'S OPERATIONS SHALL BE CORRECTED BY THE CONTRACTOR TO THE SATISFACTION OF THE ENGINEER.

PAYMENT FOR ALL OPERATIONS DESCRIBED ABOVE SHALL BE INCLUDED IN THE CONTRACT PRICE FOR THE PERTINENT 611 CONDUIT OR 611 STRUCTURE ITEMS.

ITEM SPECIAL - MISCELLANEOUS METAL

EXISTING CASTINGS MAY PROVE TO BE UNSUITABLE FOR REUSE, AS DETERMINED BY THE ENGINEER. IT SHALL BE THE CONTRACTOR'S RESPONSIBILITY TO PROVIDE THE CASTINGS OF THE REQUIRED TYPE, SIZE AND STRENGTH (HEAVY OR LIGHT DUTY) FOR THE PARTICULAR STRUCTURE IN QUESTION. ALL MATERIAL SHALL MEET ITEM 611 OF THE SPECIFICATIONS AND SHALL HAVE THE PRIOR APPROVAL OF THE ENGINEER.

THE FOLLOWING ESTIMATED QUANTITY HAS BEEN CARRIED TO THE GENERAL SUMMARY FOR USE AS DIRECTED BY THE ENGINEER.

ITEM SPECIAL - MISCELLANEOUS METAL 26,000 LB

THE CONTRACTOR IS CAUTIONED TO USE EXTREME CARE IN THE REMOVAL, STORAGE AND REPLACEMENT OF ALL EXISTING CASTINGS. CASTINGS DAMAGED BY THE NEGLIGENCE OF THE CONTRACTOR, AS DETERMINED BY THE ENGINEER, SHALL BE REPLACED WITH THE PROPER NEW CASTINGS AT THE EXPENSE OF THE CONTRACTOR.

EXISTING UNDERDRAINS

IT IS INTENDED NOT TO DISTURB THE EXISTING UNDERDRAINS DURING THE CURB AND PAVEMENT REMOVAL AND REPLACEMENT OPERATIONS. ANY EXISTING UNDERDRAIN DAMAGED DURING THE REMOVAL OF EXISTING CURB AND PAVEMENT DUE TO THE CARELESSNESS OF THE CONTRACTOR SHALL BE REMOVED AND REPLACED BY THE CONTRACTOR AT HIS/HER OWN EXPENSE.

EXISTING UNDERDRAINS WHICH THE ENGINEER DETERMINES ARE ADVERSELY AFFECTED (THROUGH NO FAULT OF THE CONTRACTOR) BY THE CONSTRUCTION OF THIS IMPROVEMENT OR ARE FOUND TO BE OTHERWISE UNSUITABLE SHALL BE REMOVED AND REPLACED, IN KIND (INCLUDING ALL NECESSARY BENDS OR BRANCHES), AT THE SAME TRENCH WIDTH AND DEPTH, UNLESS OTHERWISE SPECIFIED BY THE ENGINEER.

GRANULAR BACKFILL MATERIAL SHALL BE LIMITED TO LIMESTONE.

THE COST FOR REMOVAL AND DISPOSAL OF EXISTING UNDERDRAIN PIPE/OUTLET PIPE IS INCLUDED UNDER THESE ITEMS.

CURB REPLACEMENT LOCATIONS NOTED ON THE PLAN VIEWS WILL INCLUDE ADJACENT UNDERDRAIN REPLACEMENT. THE REPLACEMENT UNDERDRAIN SHALL FOLLOW THE SLOPE AND DEPTH OF THE EXISTING UNDERDRAIN AND OUTLET AT THE SAME DRAINAGE STRUCTURE.

THE FOLLOWING ESTIMATED QUANTITIES ARE CARRIED TO THE GENERAL SUMMARY FOR USE AS DIRECTED BY THE ENGINEER:

ITEM 611 - 6" CONDUIT, TYPE F FOR UNDERDRAIN OUTLETS 400 FT
ITEM 605 - 6" UNCLASSIFIED PIPE UNDERDRAINS WITH GEOTEXTILE FABRIC 9600 FT

EXISTING UNDERDRAINS (CONTINUED)

NONE OF THE ABOVE MATERIALS SHALL BE ORDERED BY THE CONTRACTOR UNTIL AUTHORIZED BY THE ENGINEER.

ITEM 611 - STRUCTURES ADJUSTED (RECONSTRUCTED) TO GRADE, AS PER PLAN

611.10 DRAINAGE STRUCTURE CONSTRUCTION. EXCEPT AS NOTED BELOW FOR EXISTING PRECAST SANITARY SEWER MANHOLES, STRUCTURES SHALL BE ADJUSTED OR RECONSTRUCTED TO GRADE USING ONLY CLAY BRICKS (704.01), CLASS QC 1 CONCRETE (511) AND/OR CONCRETE MORTAR (602), AS NECESSARY, AND BY RESETTING THE EXISTING FRAME IN A BED OF CONCRETE MORTAR OR CLASS QC 1 CONCRETE. EXCEPT FOR EXISTING PRECAST SANITARY SEWER MANHOLES, NO GRADE RINGS OR METAL ADJUSTING RINGS (CASTINGS) ARE PERMITTED. MAXIMUM CONCRETE MORTAR THICKNESS IS 1-1/2". NO CONCRETE BRICK IS PERMITTED FOR ADJUSTMENTS OR RECONSTRUCTION.

EXISTING PRECAST SANITARY SEWER MANHOLES SHALL BE RECONSTRUCTED TO GRADE USING A FOUR (4) INCH MINIMUM TO TWELVE (12) INCH MAXIMUM DEPTH OF EXISTING AND/OR PROPOSED GRADE RINGS (706.13) IN LIEU OF BRICK OR CLASS QC 1 CONCRETE. GROUT BETWEEN GRADE RINGS AND ON THE OUTSIDE OF THE GRADE RINGS. SET THE MANHOLE FRAME IN A FINISHED MORTAR BED WITH A FLUSH MORTAR JOINT. WHERE NECESSARY, RECONSTRUCTION WORK SHALL BE ACCOMPLISHED BY THE REMOVAL AND/OR ADDITION OF FOUR (4) FOOT DIAMETER PRECAST MANHOLE RISER SECTIONS (706.13). IN ADDITION, APPROVED CHIMNEY SEALS SHALL BE INSTALLED AFTER THE EXISTING PRECAST SANITARY SEWER MANHOLES HAVE BEEN RECONSTRUCTED TO GRADE.

ITEM 611 - STRUCTURE ADJUST TO GRADE OR RECONSTRUCT TO GRADE WORK SHALL, WHERE REQUIRED, INCLUDE THE REMOVAL AND REPLACEMENT OF ANY EXISTING CONCRETE BLOCKOUT CURB AND/OR PAVEMENT USING MEDIUM SET (CLASS QC MS) CONCRETE OR, IF APPROVED/DIRECTED BY THE ENGINEER, FAST SET (CLASS QC FS) CONCRETE PER 499.03 OF THE SPECIFICATIONS. TO FACILITATE REMOVAL, THE BLOCKOUT PAVEMENTS SHALL BE SAWED FULL DEPTH (PER 255.03) ALONG THE LIMITS OF THEIR REMOVAL UNLESS OTHERWISE DESIGNATED/DIRECTED BY THE ENGINEER. UNLESS OTHERWISE APPROVED/DIRECTED BY THE ENGINEER, BLOCKOUT PAVEMENT AND LOAD TRANSFER DEVICES SHALL BE REPLACED/INSTALLED AS DIRECTED BY THE ENGINEER. UNLESS OTHERWISE DIRECTED/APPROVED BY THE ENGINEER, REPLACE EXCAVATED SUBBASE AND SUBGRADE MATERIALS BELOW THE PROPOSED BLOCKOUT PAVEMENT WITH ITEM 613-LOW STRENGTH MORTAR BACKFILL MATERIAL, TYPE 1" EXCEPT THE USE OF FOUNDRY SAND IS STRICTLY PROHIBITED. ALL COSTS ASSOCIATED WITH THE BLOCKOUT REMOVALS/REPLACEMENTS SHALL BE CONSIDERED INCIDENTAL TO THE PER EACH BID ITEMS.

ALL EXISTING CASTINGS FOR STRUCTURES TO BE ADJUSTED OR RECONSTRUCTED TO GRADE SHALL BE FILED CHECKED AT THE TIME OF CONSTRUCTION AND MARKED SUITABLE FOR SALVAGE AND REUSE OR REPLACED AS DIRECTED BY THE ENGINEER. UNLESS OTHERWISE INDICATED ON THE PLAN, REPLACEMENT CASTINGS ARE PAID UNDER ITEM SPECIAL - MISCELLANEOUS METAL.

THE FOLLOWING GUIDELINES WERE USED TO DETERMINE THE SPECIFIC PLAN LOCATIONS/QUANTITIES OF THE ITEM 611 ADJUST TO GRADE OR RECONSTRUCT TO GRADE WORK:

- 1. "ADJUST TO GRADE, AS PER PLAN" INCLUDES ALL WORK SPECIFIED IN 611.10 (D) AS NECESSARY TO RAISE THE EXISTING/NEW CASTING NO MORE THAN ONE (1) FOOT FROM ITS EXISTING ELEVATION OR TO LOWER THE EXISTING/NEW CASTING NO MORE THAN SIX (6) INCHES FROM ITS EXISTING ELEVATION. IN ADDITION, THIS ITEM INCLUDES ANY SUPPORTING WALL REPAIR WORK NECESSARY, UP TO SIX (6) INCHES BELOW THE TOP OF THE EXISTING SUPPORTING WALL.

PAYMENT WILL BE MADE UNDER THE APPROPRIATE STRUCTURE (ITEM 611) ADJUSTED TO GRADE, AS PER PLAN.

- 2. "RECONSTRUCT TO GRADE, AS PER PLAN" INCLUDES ALL WORK SPECIFIED IN 611.10 (C) AND ALSO INCLUDES EXISTING/NEW CASTINGS RAISED MORE THAN ONE (1) FOOT FROM THEIR EXISTING ELEVATION OR LOWERED MORE THAN SIX (6) INCHES FROM THEIR EXISTING ELEVATION.

THE WORK LIMIT SHALL BE SPECIFIED BY THE ENGINEER AND PAYMENT WILL BE MADE UNDER THE APPROPRIATE STRUCTURE (ITEM 611) RECONSTRUCTED TO GRADE, AS PER PLAN.

P:\21112 Pearl Road Resurfacing\112568\Design\Roadway\Sheets\112568_GN001.dwg 15-Feb-22 10:14 AM

CALCULATED
JTS
CHECKED
BAK

GENERAL NOTES

MED-US 42-23.02

13
60

DRAINAGE (CONTINUED)

ITEM 611 - STRUCTURES ADJUSTED (RECONSTRUCTED) TO GRADE, AS PER PLAN (CONTINUED)

BASED ON THE ABOVE GUIDELINES, THE ENGINEER WILL EXAMINE EACH STRUCTURE TO ASSURE THAT THE APPROPRIATE ITEM 611 ADJUST TO GRADE OR RECONSTRUCT TO GRADE WORK IS PERFORMED.

"RECONSTRUCT TO GRADE, AS PER PLAN" WORK SHALL NOT BE PERFORMED UNLESS SPECIFICALLY INDICATED IN THE PLANS OR OTHERWISE ORDERED BY THE ENGINEER. ANY SUCH WORK MADE NECESSARY DUE TO THE CONTRACTOR'S NEGLIGENT OPERATIONS, AS DETERMINED BY THE ENGINEER, SHALL BE DONE AT THE CONTRACTOR'S EXPENSE.

THE FOLLOWING CONTINGENCY QUANTITIES ARE CARRIED TO THE GENERAL SUMMARY FOR USE AS DIRECTED BY THE ENGINEER:

ITEM 611 - CATCH BASIN ADJUSTED TO GRADE, AS PER PLAN	10 EACH
ITEM 611 - CATCH BASIN RECONSTRUCTED TO GRADE, AS PER PLAN	2 EACH
ITEM 611 - MANHOLE RECONSTRUCTED TO GRADE, AS PER PLAN	10 EACH
ITEM 638 - SERVICE BOX ADJUSTED TO GRADE, AS PER PLAN	5 EACH
ITEM 638 - WATER WORK MISC: WATER MANHOLE ADJUSTED TO GRADE	2 EACH

THE ENGINEER MAY DETERMINE THAT CERTAIN STRUCTURES SHALL BE REPLACED RATHER THAN BEING ADJUSTED OR RECONSTRUCTED. HIS/HER DETERMINATION MAY BE BASED ON EITHER OR BOTH OF THESE JUDGMENTS:

1. THE CONDITION OF THE STRUCTURE.
2. THE COMPARATIVE CONTRACT PRICES OF THE ADJUST TO GRADE, RECONSTRUCT TO GRADE AND REPLACEMENT WORK ITEMS.

WHERE TOTAL REPLACEMENT WORK IS DETERMINED TO BE PRUDENT BY THE ENGINEER, THE EXISTING STRUCTURE SHALL BE COMPLETELY REMOVED AND REPLACED IN KIND WITH A NEW STRUCTURE OF THE TYPE SPECIFIED BY THE ENGINEER AND IN ACCORDANCE WITH ITEM 611. THE FOLLOWING ESTIMATED QUANTITIES ARE PROVIDED FOR THIS CONTINGENCY:

ITEM 202 - CATCH BASIN REMOVED	5 EACH
ITEM 611 - CATCH BASIN, NO. 3A	5 EACH

NONE OF THE ABOVE MATERIALS SHALL BE ORDERED BY THE CONTRACTOR UNTIL AUTHORIZED BY THE ENGINEER.

THE COST OF REPLACING EXISTING CONDUIT CONNECTIONS, IF REQUIRED, SHALL BE PAID FOR BY SIZE AND TYPE SPECIFIED AND/OR DESIGNATED BY THE ENGINEER. THE COST OF REMOVAL AND DISPOSAL OF EXISTING PIPE, IF REQUIRED, IS INCLUDED IN THE ADJACENT WORK ITEMS. AN ESTIMATED QUANTITY OF THE FOLLOWING IS PROVIDED IN THE GENERAL SUMMARY FOR THIS WORK:

ITEM 611 - 12" CONDUIT, TYPE B	200 FT
---------------------------------------	---------------

NONE OF THE ABOVE MATERIALS SHALL BE ORDERED BY THE CONTRACTOR UNTIL AUTHORIZED BY THE ENGINEER.

BICYCLE-SAFE CATCH BASIN GRATES

EXISTING CATCH BASINS SHALL BE MODIFIED BY REPLACING THE EXISTING GRATES WITH BICYCLE SAFE GRATES. SPECIFIC LOCATIONS HAVE NOT BEEN IDENTIFIED IN THE PLANS AND SHALL BE LEFT TO THE DISCRETION OF THE ENGINEER. PAYMENT FOR THE ABOVE WORK SHALL BE INCLUDED IN ITEM SPECIAL - MISCELLANEOUS METAL.

PAVEMENT

ASPHALT CONCRETE SURFACE COURSE SEALING REQUIREMENTS

IN ADDITION TO THE GUTTER SEALING REQUIREMENTS SPECIFIED ON SCD BP-3.1 AND IN 401.15, THE CONTRACTOR SHALL SEAL THE FOLLOWING LOCATIONS:

- ALL CASTINGS INCLUDING BUT NOT LIMITED TO MONUMENTS, MANHOLES, WATER VALVES, CATCH BASINS, CURB INLETS.
- BUTT JOINTS AND FEATHER JOINTS INCLUDING BRIDGE APPROACHES.
- BUTT JOINT BETWEEN PAVED SHOULDER AND DRIVEWAY ASPHALT AND TAPERED EDGE WHEN FEATHERING TO AN EXISTING ASPHALT DRIVEWAY.
- PERIMETER OF ALL PAVEMENT REPAIRS OR OTHER ASPHALT INLAYS WHEN PAVEMENT REPAIRS/INLAYS ARE NOT OVERLAID WITH AN ASPHALT CONCRETE SURFACE COURSE.
- ALL COLD LONGITUDINAL JOINTS BETWEEN PAVED SHOULDERS AND GUARDRAIL ASPHALT.
- ALL TRANSVERSE JOINTS LOCATED WITHIN THE CONCRETE CURB AND GUTTER.
- LONGITUDINAL JOINT FOUND BETWEEN THE SURFACE COURSE AND THE EDGE OF THE CONCRETE CURB AND GUTTER.
- LONGITUDINAL JOINT FOUND BETWEEN THE SURFACE COURSE AND THE VERTICAL CURBS.

THE MATERIAL USED SHALL BE A CERTIFIED 702.01 PG BINDER. THE WIDTH OF THE SEALER SHALL BE 2-3 INCHES.

ANY ADDITIONAL COSTS ASSOCIATED WITH THE WORK IDENTIFIED IN THIS NOTE SHALL BE INCLUDED IN THE APPROPRIATE ASPHALT CONCRETE SURFACE COURSE ITEM OF WORK.

ITEM 251 - PARTIAL DEPTH PAVEMENT REPAIR (441), AS PER PLAN

WHEN THIS ITEM IS CALLED FOR ON THE PLANS OR IN THE PROPOSAL, ALL APPLICABLE PROVISIONS OF ITEM 251, AS SET FORTH IN THE CONSTRUCTION AND MATERIAL SPECIFICATIONS, SHALL APPLY EXCEPT AS MODIFIED HEREIN.

251.02 REMOVAL OF EXISTING PAVEMENT.

APPROVED REMOVAL METHODS SHALL SATISFACTORILY ESTABLISH A NEAT VERTICAL FACE ALONG THE ENTIRE PERIMETER OF THE REPAIR AREA IN ORDER TO SUBSEQUENTLY PERMIT THE PROPER PLACEMENT AND COMPACTION OF THE ASPHALT CONCRETE PATCHING MATERIAL. UNLESS OTHERWISE SPECIFIED BY THE ENGINEER, REMOVAL DEPTHS SHALL VARY FROM A ONE AND A HALF (1-1/2) INCH MINIMUM TO A THREE (3) INCH MAXIMUM.

PARTIALLY EMBEDDED STEEL MESH EXPOSED SHALL BE WIRE-BRUSHED OR OTHERWISE CLEANED TO REMOVE ALL LOOSE RUST. LOOSENED OR TOTALLY EXPOSED WIRE MESH REINFORCING SHALL BE CUT AND REMOVED AS REQUIRED WITHOUT DISPLACEMENT OR DISRUPTION TO THE REINFORCEMENT AND/OR PAVEMENT TO REMAIN.

ALL PARTIAL DEPTH PAVEMENT REPAIRS PERFORMED DURING STAGE 1/PHASE 2 AND STAGE 2/PHASE 2 SHALL BE COMPLETED BY THE END OF EACH WORKING DAY. STAGE 1/PHASE 2 AND STAGE 2/PHASE 2 DOES NOT ALLOW FOR PARTIAL DEPTH PAVEMENT REPAIRS TO USE OPTIONAL WEDGE TREATMENT FOR MAINTAINING TRAFFIC.

251.04 METHOD OF MEASUREMENT.

PAYMENT WILL BE MADE AT THE CONTRACT UNIT PRICE BID PER SQUARE YARD FOR ITEM 251 - PARTIAL DEPTH PAVEMENT REPAIR, AS PER PLAN.

ITEM 251 - PARTIAL DEPTH PAVEMENT REPAIR (441), AS PER PLAN	4351 SY
--------------------------------------------------------------------	----------------

PROFILE AND ALIGNMENT

PLACE THE PROPOSED PAVEMENT TO FOLLOW THE ALIGNMENT AND PROFILE OF THE EXISTING PAVEMENT. PLACE THE PROPOSED ASPHALT CONCRETE OVERLAY WITH A UNIFORM THICKNESS OF 3 1/4 INCHES AS SHOWN ON THE TYPICAL SECTIONS.

ITEM 441 - ASPHALT CONCRETE SURFACE COURSE, TYPE 1, (446), PG 70-22M, AS PER PLAN

USE OF RECLAIMED ASPHALT CONCRETE PAVEMENT IS LIMITED TO A MAXIMUM OF 10%.

THE COARSE VIRGIN AGGREGATE SHALL BE A BLEND OF SIXTY PERCENT (60%) MINIMUM AIR COOLED BLAST FURNACE SLAG (ACBFS) OR TRAP ROCK FROM ONTARIO WITH THE REMAINING PERCENTAGE COMPRISED OF CRUSHED CARBONATE STONE (CCS).

PRIOR TO PRODUCING THE ASPHALT CONCRETE FOR THIS CONTRACT, SUBMIT A JOB MIX FORMULA (JMF) FOR APPROVAL BY THE ENGINEER. USE A JMF THAT MEETS ALL REQUIREMENTS ESTABLISHED IN THE CONTRACT AND HAS PREVIOUSLY BEEN APPROVED FOR USE ON ODOT WORK. WHERE NO PREVIOUSLY APPROVED (BY ODOT) JMF IS AVAILABLE, DEVELOP A JMF MEETING ALL CRITERIA ESTABLISHED IN THE CONTRACT AND HAVE IT REVIEWED AND APPROVED BY AN INDEPENDENT TESTING LABORATORY PRIOR TO SUBMISSION TO THE ENGINEER. THE INDEPENDENT TESTING LABORATORY SHALL HAVE APPROPRIATELY APPROVED PERSONNEL AND TESTING EQUIPMENT PER ODOT SUPPLEMENT 1041. ALL COST ASSOCIATED WITH THE ABOVE SHALL BE INCLUDED IN THE CUBIC YARD COST OF THE ASPHALT CONCRETE BID ITEM.

SAMPLING FOR VERIFICATION ACCEPTANCE (403.06.A) SHALL BE PERFORMED IN ACCORDANCE WITH ODOT SUPPLEMENT 1035.

UNLESS OTHERWISE DIRECTED/APPROVED BY THE ENGINEER, CONDUCT DENSITY GAUGE QUALITY CONTROL TESTING ON THE ITEM 441 ASPHALT CONCRETE SURFACE COURSE MAT ACCORDING TO ODOT SUPPLEMENT 1055 REGARDLESS OF THE NUMBER OF LANES OR LENGTH OF CONTINUOUS PAVING.

ITEMS 301, 302, 441, AS PER PLAN

USE OF RECLAIMED ASPHALT CONCRETE PAVEMENT IS LIMITED TO A MAXIMUM OF 10% FOR SURFACE COURSES. USE OF RECLAIMED ASPHALT SHINGLES ARE NOT PERMITTED IN ANY ASPHALT CONCRETE COURSE.

THE COARSE AGGREGATE SHALL CONFORM TO 703.04 AND/OR 703.05 B, AS APPLICABLE, EXCEPT THAT GRAVEL WILL NOT BE PERMITTED.

PRIOR TO PRODUCING THE ASPHALT CONCRETE FOR THIS CONTRACT, SUBMIT A JOB MIX FORMULA (JMF) FOR APPROVAL BY THE ENGINEER. USE A JMF THAT MEETS ALL REQUIREMENTS ESTABLISHED IN THE CONTRACT AND HAS PREVIOUSLY BEEN APPROVED FOR USE ON ODOT WORK. WHERE NO PREVIOUSLY APPROVED (BY ODOT) JMF IS AVAILABLE, DEVELOP A JMF MEETING ALL CRITERIA ESTABLISHED IN THE CONTRACT. SUBMIT TO THE ENGINEER FOR REVIEW AND APPROVAL BY ODOT'S OFFICE OF MATERIAL MANAGEMENT.

SAMPLING FOR VERIFICATION ACCEPTANCE (403.06.A) SHALL BE PERFORMED IN ACCORDANCE WITH ODOT SUPPLEMENT 1035 FOR ALL 448 ACCEPTANCE MIXES.

UNLESS OTHERWISE DIRECTED/APPROVED BY THE ENGINEER, CONDUCT DENSITY GAUGE QUALITY CONTROL TESTING ON BOTH THE ITEM 441 ASPHALT CONCRETE SURFACE COURSE AND INTERMEDIATE COURSE MATS ACCORDING TO ODOT SUPPLEMENT 1055 REGARDLESS OF THE NUMBER OF LANES OR LENGTH OF CONTINUOUS PAVING.

ITEM 304 - AGGREGATE BASE, AS PER PLAN

MATERIAL FURNISHED FOR THIS ITEM SHALL BE LIMITED TO CRUSHED CARBONATE STONE.

P:\21112 Pearl Road Resurfacing\112568_Design\Roadway\Sheets\112568_GN001.dwg 15-Feb-22 10:14 AM

CALCULATED
JTS
CHECKED
BAK

GENERAL NOTES

MED-US 42-23.02

PAVEMENT (CONTINUED)

ITEM 253 - PAVEMENT REPAIR, AS PER PLAN

PROVISIONS OF ITEM 253 SHALL APPLY EXCEPT AS MODIFIED OR APPENDED HEREIN.

253.02 - REMOVAL OF EXISTING PAVEMENT.

THE ENGINEER WILL DESIGNATE THE LOCATION AND LIMITS OF AREAS TO BE REPAIRED UNDER THIS ITEM ONLY AFTER HE/SHE HAS DETERMINED THAT THE REPAIR CANNOT BE MADE UNDER "ITEM 251 - PARTIAL DEPTH PAVEMENT REPAIR (441), AS PER PLAN", WHERE APPLICABLE. THE DEPTH OF REMOVAL SHALL BE DETERMINED BY THE ENGINEER. THE PAVEMENT SHALL BE REMOVED IN A MANNER SUCH THAT NEAT VERTICAL FACES ARE ESTABLISHED FOR THE ENTIRE PERIMETER OF THE REPAIR AREA. ANY METHOD REQUIRED TO ESTABLISH THE NEAT VERTICAL FACE (INCLUDING SAW CUTTING) SHALL BE INCLUDED IN THE COST OF THIS ITEM.

253.03 - PLACEMENT OF ASPHALT CONCRETE (AND AGGREGATE BASE COURSES).

THE ENGINEER WILL SELECT FROM ITEMS 301, 304, AND 441, ALONE OR IN COMBINATION, TO FILL THE REPAIR AREA. ITEM 304 SHALL BE USED TO REPLACE EXISTING AGGREGATE BASE COURSES ONLY.

ALL PAVEMENT REPAIRS PERFORMED DURING STAGE 1/PHASE 2 AND STAGE 2/PHASE 2 SHALL BE COMPLETED BY THE END OF EACH WORKING DAY. STAGE 1/PHASE 2 AND STAGE 2/PHASE 2 DOES NOT ALLOW FOR PAVEMENT REPAIRS TO USE OPTIONAL WEDGE TREATMENT FOR MAINTAINING TRAFFIC.

253.04 - METHOD OF MEASUREMENT.

PAYMENT WILL BE MADE AT THE CONTRACT UNIT PRICE BID PER SQUARE YARD FOR ITEM 253 - PAVEMENT REPAIR, AS PER PLAN.

THE FOLLOWING ESTIMATED QUANTITY HAS BEEN CARRIED TO THE GENERAL SUMMARY FOR USE AS DIRECTED BY THE ENGINEER:

ITEM 253 - PAVEMENT REPAIR, AS PER PLAN 3250 SY

ITEM 255 - FULL DEPTH PAVEMENT REMOVAL AND RIGID REPLACEMENT, CLASS QC MS, AS PER PLAN

WHEN THIS ITEM IS CALLED FOR ON THE PLANS OR IN THE PROPOSAL, ALL APPLICABLE PROVISIONS OF ITEM 255, AS SET FORTH IN THE CONSTRUCTION AND MATERIAL SPECIFICATIONS, SHALL APPLY EXCEPT AS MODIFIED HEREIN AND AS OTHERWISE DETAILED.

255.04 CORRECTION OF SUBGRADE OR SUBBASE.

SUITABLE SUBBASE DISTURBED IN AREAS WHERE CONCRETE PAVEMENT IS REMOVED SHALL BE SHAPED AND RECOMPACTED TO THE SATISFACTION OF THE ENGINEER AT NO ADDITIONAL COST. UNSUITABLE SUBBASE, AS DETERMINED BY THE ENGINEER, SHALL BE REMOVED AND REPLACED WITH "ITEM 304 - AGGREGATE BASE, AS PER PLAN" TO THE DEPTH OF ADJACENT SUBBASE.

WHERE UNSUITABLE SUBGRADE MATERIAL IS ENCOUNTERED, IT SHALL BE REMOVED TO THE DEPTH DETERMINED BY THE ENGINEER AND REPLACED IN EIGHT (8) INCH MAXIMUM (LOOSE DEPTH) MECHANICALLY COMPACTED LAYERS. SUITABLE EMBANKMENT MATERIAL (204.02) REQUIRED TO REPLACE THE UNDERCUT SUBGRADE SHALL, TO THE EXTENT POSSIBLE, EXHIBIT THE SAME PHYSICAL PROPERTIES AS THE ADJACENT SOUND SUBGRADE MATERIALS. HOWEVER, USE OF SLAG, IN ANY FORM, IS NOT PERMITTED. ALL EXPOSED OR RECONSTRUCTED SUBGRADE SOILS SHALL BE COMPACTED TO THE SATISFACTION OF THE ENGINEER. IN CONJUNCTION WITH THE ABOVE SUBGRADE WORK, AN ESTIMATED QUANTITY OF ITEM 204 - GEOTEXTILE FABRIC IS PROVIDED FOR USE AS DIRECTED BY THE ENGINEER.

REMOVAL AND DISPOSAL OF UNSUITABLE SUBBASE OR SUBGRADE MATERIAL SHALL BE CONSIDERED INCIDENTAL TO ITEM 255 AND NO SEPARATE PAYMENT WILL BE MADE.

ITEM 255 - FULL DEPTH PAVEMENT REMOVAL AND RIGID REPLACEMENT, CLASS QC MS, AS PER PLAN (CONTINUED)

255.061 CURB REPLACEMENT.

INTEGRAL CONCRETE CURB REMOVED IN CONJUNCTION WITH THE PAVEMENT REMOVAL OPERATIONS SHALL NOT BE PAID FOR SEPARATELY, BUT SHALL BE CONSIDERED INCIDENTAL TO THE ITEM 255 PAVEMENT REMOVAL. INTEGRAL CONCRETE CURB SO REMOVED SHALL BE REPLACED (IN KIND) AND SHALL BE CONSIDERED INCIDENTAL TO ITEM 255 AND NO SEPARATE PAYMENT WILL BE MADE. CURB HEIGHT SHALL MATCH THE HEIGHT OF EXISTING ADJACENT CURB.

255.07 WEARING COURSE REPLACEMENT.

MATERIAL FOR ANY ASPHALT CONCRETE OVERLAYS SHALL BE PAID FOR SEPARATELY AND BE AS DETAILED/SPECIFIED ELSEWHERE IN THE PLANS.

255.09 METHOD OF MEASUREMENT.

THE REPLACEMENT MATERIAL FOR UNSUITABLE SUBGRADE MATERIAL SHALL BE FURNISHED, PLACED, MEASURED AND PAID FOR IN ACCORDANCE WITH ITEM 204 - EMBANKMENT, AS PER PLAN OR, WHERE DIRECTED BY THE ENGINEER, ITEM 204 - GRANULAR EMBANKMENT, AS PER PLAN. THE REPLACEMENT MATERIAL FOR UNSUITABLE SUBBASE SHALL BE FURNISHED, PLACED, MEASURED AND PAID FOR IN ACCORDANCE WITH ITEM 304 - AGGREGATE BASE, AS PER PLAN.

255.10 BASIS FOR PAYMENT.

PAYMENT FOR ITEM 255 - FULL DEPTH PAVEMENT REMOVAL AND RIGID REPLACEMENT, CLASS QC MS, AS PER PLAN IS FULL COMPENSATION FOR FURNISHING ALL MATERIALS AND LABOR PER 255.10 AND AS SPECIFIED HEREIN, INCLUDING BUT NOT LIMITED TO INTEGRAL CONCRETE CURB AND/OR PAVEMENT REMOVAL, SUBBASE/SUBGRADE CORRECTION AND/OR REMOVAL, AS NECESSARY, FURNISHING AND PLACING DOWELS, TIE BARS, MESH, NECESSARY SAW CUTTING AND THE CLASS QC MS CONCRETE.

THE FOLLOWING ESTIMATED QUANTITIES TO BE USED AS DIRECTED BY THE ENGINEER, ARE CARRIED TO THE GENERAL SUMMARY FOR THIS WORK AND PAYMENT IS INCLUDED IN THE CONTRACT UNIT PRICE BID FOR:

ITEM 255 - FULL DEPTH PAVEMENT REMOVAL AND RIGID REPLACEMENT, CLASS QC MS, AS PER PLAN 13050 SY
ITEM 204 - EMBANKMENT, AS PER PLAN 489 CY
ITEM 204 - GRANULAR EMBANKMENT, AS PER PLAN 163 CY
ITEM 204 - GEOTEXTILE FABRIC, AS PER PLAN 1305 SY
ITEM 304 - AGGREGATE BASE, AS PER PLAN 2175 CY

STREET CASTING PROTECTION

THE EXISTING ASPHALT PAVEMENT WEARING COURSE AND PAVEMENT BASE (REGARDLESS OF MATERIAL) SHALL BE REMOVED AND DISPOSED BY THE CONTRACTOR. AFTER REMOVALS, IT SHALL BE THE RESPONSIBILITY OF THE CONTRACTOR TO DELINEATE ANY CASTINGS THAT MAY PROTRUDE ABOVE THE EXISTING SURFACE. IN NO CASE SHALL THE CASTING REMAIN EXPOSED WITHOUT PROPER PROTECTION. THE CONTRACTOR MAY DO EITHER OF THE FOLLOWING ACTIONS TO PROTECT THE STREET CASTINGS DURING CONSTRUCTION:

- THE CONTRACTOR SHALL PROVIDE AND MAINTAIN SUFFICIENT MATERIAL IN THE VICINITY OF THESE CASTINGS TO PROVIDE AN ADEQUATE RAMP AROUND THE CASTINGS. THE CASTING DIFFERENTIAL SHALL NOT BE GREATER THAN ONE (1) INCH WHEN EXPOSED TO TRAFFIC. ALL COSTS RESULTING FROM THE ABOVE REQUIREMENTS SHALL BE PAID FOR WITH ITEM 614 - ASPHALT CONCRETE FOR MAINTAINING TRAFFIC.
- THE CONTRACTOR SHALL REMOVE THE EXISTING CASTING AND COVER THE OPENING WITH A STEEL PLATE. THE STEEL PLATE SHALL COVER THE OPENING WITH A MINIMUM OF 12" OVERLAP ON ALL SIDES, RESTING ON THE PAVEMENT. ALL STEEL PLATES SHALL BE SECURED IN PLACE USING ITEM 614 - ASPHALT CONCRETE FOR MAINTAINING TRAFFIC A MINIMUM OF 12" ON ALL SIDES. ASPHALT CONCRETE MATERIAL SHALL BE FLUSH WITH TOP OF STEEL PLATE. ALL COSTS, LABOR, EQUIPMENT, AND STEEL PLATES FROM THE ABOVE REQUIREMENTS SHALL BE CONSIDERED TO BE INCLUDED IN THE LUMP SUM PRICE BID FOR ITEM 614 - MAINTAINING TRAFFIC.

PAVEMENT CORE INFORMATION

THE FOLLOWING PAVEMENT CORE INFORMATION WAS OBTAINED AS PART OF THE 2011 MED-42-22.77 PROJECT AND IS PROVIDED FOR INFORMATIONAL PURPOSES ONLY. THE 2011 RESURFACING PROJECT MILLED 1.50" OF SURFACE COURSE AND INSTALLED A TOTAL OF 2.00" OF NEW ASPHALT SURFACE COURSE. THESE PLANS ARE AVAILABLE AT THE CITY OF BRUNSWICK. INFORMATION IS PROVIDED AS THE CONCRETE AND ASPHALT BASE THICKNESS HAS NOT CHANGED AND IS PERTINENT INFORMATION RELATED TO FULL AND PARTIAL DEPTH PAVEMENT REPAIRS. NO NEW PAVEMENT CORES WERE OBTAINED PRIOR TO THIS PROJECT.

SLM	LANE	ASPHALT CONC. THICKNESS (IN)	CONCRETE THICKNESS (IN)	TOTAL PAVEMENT	BASE THICKNESS (IN)
26.91	SB	5.00	6.00	11.00	2.00
26.91	CL	8.50	0.00	8.50	2.00
26.91	NB	2.75	9.25	12.00	2.00
26.43	SB	3.00	10.50	13.50	0.00
26.43	CL	9.00	0.00	9.00	2.00
26.43	NB	2.25	9.00	11.25	0.00
25.92	SB	3.50	9.00	12.50	0.00
25.92	CL	9.00	0.00	9.00	3.50
25.92	NB	2.50	9.00	11.50	3.00
25.43	SB	3.00	9.00	12.00	2.00
25.43	CL	5.50	0.00	5.50	0.00
25.43	NB	3.25	2.00	5.25	0.00
24.92	SB	3.00	9.00	12.00	3.00
24.92	CL	8.50	0.00	8.50	3.50
24.92	NB	2.50	7.00	9.50	0.00
24.34	SB	2.25	9.00	11.25	0.00
24.34	CL	6.75	0.00	6.75	18.50
24.34	NB	6.00	7.50	13.50	1.00
23.89	SB	2.50	9.00	11.50	0.00
23.89	CL	5.50	0.00	5.50	4.50
23.89	NB	3.00	9.00	12.00	0.00
23.48	SB	3.25	8.75	12.00	0.00
23.48	CL	6.50	0.00	6.50	18.00
23.48	NB	3.75	9.00	12.75	1.00
23.15	SB	2.25	9.00	11.25	0.00
23.15	CL	5.00	0.00	5.00	18.50
23.15	NB	2.00	9.50	11.50	0.00
22.80	CL	5.00	0.00	5.00	18.50
22.80	NB	2.50	9.00	11.50	0.00

ITEM 254 - PAVEMENT PLANING, ASPHALT CONCRETE, AS PER PLAN (3.25" UNIFORM)

THE CONTRACTORS SHALL REVIEW THE PAVEMENT CORE INFORMATION ON THIS SHEET PRIOR TO MILLING OPERATIONS. IT IS EXPECTED THAT IN AREAS WHERE EXISTING ASPHALT WEARING COURSE THICKNESS IS LESS THAN 3.25", THE CONTRACTOR WILL BE EXPECTED TO MILL INTO THE ASPHALT OR CONCRETE BASE. NO ADDITIONAL PAVEMENT WILL BE MADE FOR CONCRETE MILLING.

P:\21112 Pearl Road Resurfacing\112568\Design\Roadway\Sheets\112568_GN001.dwg 15-Feb-22 10:14 AM

CALCULATED
JTS
CHECKED
BAK

GENERAL NOTES

MED-US 42-23.02

P:\21112 Pearl Road Resurfacing\112568\Design\Roadway\Sheets\112568_GS001.dwg 15-Feb-22 10:14 AM

REF. NO.	SHEET NUMBER							PARTICIPATION			ITEM	ITEM EXT.	GRAND TOTAL	UNIT	DESCRIPTION	SEE SHEET				
	GEN. NOTES	MOT NOTES	26	28	29	30	31	34	01/MPO/PV	02/MPO/PV							03/MPO/PV			
														ROADWAY						
1	LS										LS	201	11001	LS	-	CLEARING AND GRUBBING, AS PER PLAN	10			
2	580			3788							4368	202	23000	4368	SY	PAVEMENT REMOVED				
3	8795				372	1190					10357	202	30001	10357	SF	WALK REMOVED, AS PER PLAN	10,12			
4	910					9838					10748	202	32001	10748	FT	CURB REMOVED, AS PER PLAN	10,12			
5	5										8	202	58100	8	EACH	CATCH BASIN REMOVED				
6	100			478							578	203	10000	578	CY	EXCAVATION				
7	580			2862							3442	204	10000	3442	SY	SUBGRADE COMPACTION				
8	75										75	204	13000	75	CY	EXCAVATION OF SUBGRADE				
9	489										489	204	20001	489	CY	EMBANKMENT, AS PER PLAN	15			
10	238										238	204	21001	238	CY	GRANULAR EMBANKMENT, AS PER PLAN	10,15			
11	1455										1455	204	50001	1455	SY	GEOTEXTILE FABRIC, AS PER PLAN	10,15			
12	8795				39371						48166	608	10001	48166	SF	4" CONCRETE WALK, AS PER PLAN	10,12			
13		1000									1000	608	20000	1000	SF	2" ASPHALT CONCRETE WALK				
14						2160					2160	608	52001	2160	SF	CURB RAMP, AS PER PLAN	11			
15	2										4	2	4	623	39501	6	EACH	MONUMENT BOX ADJUSTED TO GRADE, AS PER PLAN	11,57	
16	2										2	623	40900	2	EACH	MONUMENT, MISC.: CUYAHOGA COUNTY MONUMENT BOX	11,57			
17	2										2	623	40900	2	EACH	MONUMENT, MISC.: CUYAHOGA COUNTY CENTERLINE MONUMENT BOX ASSEMBLY, TYPE 1	11,57			
18	5										5	623	40900	5	EACH	MONUMENT, MISC.: MONUMENT REFERENCING	11,57			
19	10							33			43	SPECIAL	69050000	43	EACH	MAILBOX SUPPORT	10,59			
20	10							33			43	SPECIAL	69050100	43	EACH	MAILBOX SUPPORT SYSTEM, SINGLE	10,59			
																		EROSION CONTROL		
21	2										2	659	00100	2	EACH	SOIL ANALYSIS TEST				
22	583										583	659	00300	583	CY	TOPSOIL				
23	5250										5250	659	10001	5250	SY	SEEDING AND MULCHING, AS PER PLAN	12			
24	0.73										0.73	659	20000	0.73	TON	COMMERCIAL FERTILIZER				
25	1.08										1.08	659	31000	1.08	ACRE	LIME				
26	29										29	659	35000	29	MGAL	WATER				
27	10000										10000	832	30001	10000	EACH	EROSION CONTROL, AS PER PLAN	13			
																		DRAINAGE		
28	9600										9600	605	13410	9600	FT	6" UNCLASSIFIED PIPE UNDERDRAINS WITH GEOTEXTILE FABRIC				
29	400										400	611	00510	400	FT	6" CONDUIT, TYPE F FOR UNDERDRAIN OUTLETS				
30	200										260	611	04400	260	FT	12" CONDUIT, TYPE B				
31	5										8	611	98180	8	EACH	CATCH BASIN, NO. 3A				
32	10										14	6	18	611	98631	24	EACH	CATCH BASIN ADJUSTED TO GRADE, AS PER PLAN	13	
33	2										1	1		611	98635	2	EACH	CATCH BASIN RECONSTRUCTED TO GRADE, AS PER PLAN	13	
34											33	10	23	611	99655	33	EACH	MANHOLE ADJUSTED TO GRADE, AS PER PLAN	13	
35	10										3	7		611	99661	10	EACH	MANHOLE RECONSTRUCTED TO GRADE, AS PER PLAN	13	
36	26000										8200	17800		SPECIAL	61199820	26000	LB	MISCELLANEOUS METAL	13	
																			PAVEMENT	
37	4351										870			3481	251	01001	4351	SY	PARTIAL DEPTH PAVEMENT REPAIR (441), AS PER PLAN	14
38	3250										650			2600	253	01001	3250	SY	PAVEMENT REPAIR, AS PER PLAN	14,15
39				84965							13787	71178		254	01001	84965	SY	PAVEMENT PLANING, ASPHALT CONCRETE, AS PER PLAN (3.25" UNIFORM)		
40				1777							197	1580		254	01000	1777	SY	PAVEMENT PLANING, ASPHALT CONCRETE, (2 1/2" TO 3 1/4" VARIABLE DEPTH PLANING)		
41	13050													13050	255	10161	13050	SY	FULL DEPTH PAVEMENT REMOVAL AND RIGID REPLACEMENT, CLASS QC MS, AS PER PLAN	15
42	2275													2753	304	20001	2753	CY	AGGREGATE BASE, AS PER PLAN	14
43				7808							1258	6550		407	13900	7808	GAL	TACK COAT, 702.13		
44				5206							839	4367		407	20000	5206	GAL	NON-TRACKING TACK COAT		
45				3541							574	2967		441	10101	3541	CY	1 1/2" ASPHALT CONCRETE SURFACE COURSE, TYPE 1, (446), PG 70-22M, AS PER PLAN	14	
46				4132							670	3462		441	10201	4132	CY	1 3/4" ASPHALT CONCRETE INTERMEDIATE COURSE, TYPE 2, (446), AS PER PLAN	14	
47				75							8	67		441	50101	75	CY	1 1/2" ASPHALT CONCRETE SURFACE COURSE, TYPE 1, (448), PG 64-22, AS PER PLAN	14	
48				87							9			78	441	50201	87	CY	ASPHALT CONCRETE INTERMEDIATE COURSE, TYPE 1, (448), AS PER PLAN, (1" MIN. TO 1.75" MAX), (PG 64-22)	14
49						300								300	452	10050	300	SY	6" NON-REINFORCED CONCRETE PAVEMENT, CLASS QC MS	
50	580					2563								3143	452	12050	3143	SY	8" NON-REINFORCED CONCRETE PAVEMENT, CLASS QC MS	
51	910													10748	609	16001	10748	FT	CURB, TYPE 2-B, AS PER PLAN	12

GENERAL SUMMARY

MED-US 42-23.02

P:\21112 Pearl Road Resurfacing\112568\Design\Roadway\Sheets\112568_GS001.dwg 15-Feb-22 10:14 AM

REF. NO.	SHEET NUMBER						PARTICIPATION			ITEM	ITEM EXT.	GRAND TOTAL	UNIT	DESCRIPTION	SEE SHEET	
	GEN. NOTES	MOT NOTES	26	28	29	30	31	34	01/MPO/PV							02/MPO/PV
WATER WORK																
52							1			1	638	10301	1	EACH	FIRE HYDRANT EXTENDED AND ADJUSTED TO GRADE, AS PER PLAN	13,58
53							7			7	638	10401	7	EACH	FIRE HYDRANT ADJUSTED TO GRADE, AS PER PLAN	13,58
54							38	1	37		638	10801	38	EACH	VALVE BOX ADJUSTED TO GRADE, AS PER PLAN	13
55	5						4	2	7		638	10901	9	EACH	SERVICE BOX ADJUSTED TO GRADE, AS PER PLAN	13
56	2						12	1	13		638	98000	14	EACH	WATER WORK, MISC.: WATER MANHOLE ADJUSTED TO GRADE	13
TRAFFIC CONTROL																
57	180.0						120.0			300.0	630	03100	300.0	FT	GROUND MOUNTED SUPPORT, NO. 3 POST	
58	63.0						60.6			123.6	630	80100	123.6	SF	SIGN, FLAT SHEET	
59							2			2	630	80500	2	EACH	SIGN, DOUBLE FACED, STREET NAME	
60	10						16			26	630	84900	26	EACH	REMOVAL OF GROUND MOUNTED SIGN AND DISPOSAL	
61	10						12			22	630	86002	22	EACH	REMOVAL OF GROUND MOUNTED POST SUPPORT AND DISPOSAL	
62	2									2	630	97700	2	EACH	SIGNING, MISC.: SOLAR POWERED RECTANGULAR RAPID FLASHING BEACON (RRFB) SIGN ASSEMBLY	17
63	560							112	448		644	00500	560	FT	STOP LINE	
64	2183							437	1746		644	00620	2183	FT	CROSSWALK LINE, 12"	
65	4							1	3		644	01110	4	EACH	SCHOOL SYMBOL MARKING, 96"	
66	122							24	98		644	01300	122	EACH	LANE ARROW	
67	0.33							0.07	0.26		646	10110	0.33	MILE	LANE LINE, 6"	
68	6.69							1.34	5.35		646	10200	6.69	MILE	CENTER LINE	
69	3619							724	2895		646	10310	3619	FT	CHANNELIZING LINE, 12"	
TRAFFIC SIGNALS																
70	10						6			16	625	31600	16	EACH	PULL BOX, MISC.: PULL BOX ADJUSTED TO GRADE	16
71	2									2	625	32000	2	EACH	GROUND ROD	
72							27	5	22		632	26501	27	EACH	DETECTOR LOOP, AS PER PLAN	16
73	2									2	632	64020	2	EACH	PEDESTAL FOUNDATION	
MAINTENANCE OF TRAFFIC																
74		200						30	70	100	410	12001	200	CY	TRAFFIC COMPACTED SURFACE, TYPE A OR B, AS PER PLAN	18
75		240						36	84	120	614	11110	240	HOURL	LAW ENFORCEMENT OFFICER WITH PATROL CAR FOR ASSISTANCE	18
76		100						15	35	50	614	13000	100	CY	ASPHALT CONCRETE FOR MAINTAINING TRAFFIC	
77		30						5	10	15	614	18600	30	SNMT	PORTABLE CHANGEABLE MESSAGE SIGN	
78		0.33						0.07	0.26		614	20560	0.33	MILE	WORK ZONE LANE LINE, CLASS III, 6", 642 PAINT	
79		7.76						1.55	6.21		614	21100	7.76	MILE	WORK ZONE CENTER LINE, CLASS I, 642 PAINT	
80		1.00						0.20	0.80		614	21200	1.00	MILE	WORK ZONE CENTER LINE, CLASS I, 740.06, TYPE I	
81		6.69						1.34	5.35		614	21550	6.69	MILE	WORK ZONE CENTER LINE, CLASS III, 642 PAINT	
82		11.64						2.33	9.31		614	22100	11.64	MILE	WORK ZONE EDGE LINE, CLASS I, 4", 642 PAINT	
83		0.50						0.10	0.40		614	22200	0.50	MILE	WORK ZONE EDGE LINE, CLASS I, 4", 740.06, TYPE I	
84		2000						400	1600		614	23200	2000	FT	WORK ZONE CHANNELIZING LINE, CLASS I, 8", 642 PAINT	
85		1000						200	800		614	23400	1000	FT	WORK ZONE CHANNELIZING LINE, CLASS I, 8", 740.06, TYPE I	
86		3619						724	2895		614	23690	3619	FT	WORK ZONE CHANNELIZING LINE, CLASS III, 12", 642 PAINT	
87		560						112	448		614	26610	560	FT	WORK ZONE STOP LINE, CLASS III, 642 PAINT	
88		2183						437	1746		614	27620	2183	FT	WORK ZONE CROSSWALK LINE, CLASS III, 12", 642 PAINT	
89		122						24	98		614	30650	122	EACH	WORK ZONE ARROW, CLASS III, 642 PAINT	
90		4						1	3		614	31750	4	EACH	WORK ZONE SCHOOL SYMBOL MARKING, 96", CLASS III, 642 PAINT	
91		20						4	16		616	10000	20	MGAL	WATER	
INCIDENTALS																
92		LS						0.15 LS	0.35 LS	0.50 LS	614	11000	LS	-	MAINTAINING TRAFFIC	
93	15							2	5	8	619	16021	15	MNTH	FIELD OFFICE, TYPE C, AS PER PLAN	9
94	LS							0.15 LS	0.35 LS	0.50 LS	623	10001	LS	-	CONSTRUCTION LAYOUT STAKES AND SURVEYING, AS PER PLAN	10
95		LS						0.15 LS	0.35 LS	0.50 LS	624	10000	LS	-	MOBILIZATION	

GENERAL SUMMARY

MED-US 42-23.02

P:\21112 Pearl Road Resurfacing\112568\Design\Roadway\Sheets\112568_GS001.dwg 15-Feb-22 10:14 AM

STATION TO STATION		SIDE	WORK	LENGTH (L)	AVERAGE PAVEMENT WIDTH (W)	MAINLINE SURFACE AREA (A1) *CADD	INTERSECTION MAIN ROAD SURFACE AREA (A2) *CADD	INTERSECTION CURB RETURN SURFACE AREA (A3)	254 PAVEMENT PLANING, ASPHALT CONCRETE, (2 1/2" TO 3 1/4" VARIABLE DEPTH PLANING)	254 PAVEMENT PLANING, ASPHALT CONCRETE, AS PER PLAN (3.25" UNIFORM)	407 TACK COAT, 702.13	407 NON-TRACKING TACK COAT	441 1 1/2" ASPHALT CONCRETE SURFACE COURSE, TYPE 1, (446), PG 70-22M, AS PER PLAN	441 1 1/2" ASPHALT CONCRETE SURFACE COURSE, TYPE 1, (448), PG 64-22, AS PER PLAN	441 1 3/4" ASPHALT CONCRETE INTERMEDIATE COURSE, TYPE 2, (446), AS PER PLAN	441 ASPHALT CONCRETE INTERMEDIATE COURSE, TYPE 1, (448), AS PER PLAN, (1" MIN. TO 1.75" MAX), (PG 64-22)		
FROM	TO			FT	FT	SF LxW	SF LxW	SF CADD	SY A3/9	SY (A1 OR A2)/9	GAL (A1 OR A2 OR A3/9)*0.09	GAL (A1 OR A2 OR A3/9)*0.06	CY *(1.5/12))/27	CY (A3*(1.5/12))/ 27	CY *(1.75/12))/27	CY (A3*(1.75/12)) /27		
PEARL ROAD MAINLINE																		
130+75.00	159+69.80	LT/RT	ASPHALT	2894.80	34.00	98423.20												
159+69.80	163+66.45	LT/RT	ASPHALT	396.65		16843.59				10935.91	984.23	656.15	455.66		531.61			
163+66.45	175+78.33	LT/RT	ASPHALT	1211.88	34.00	41203.92				1871.51	168.44	112.29	77.98		90.98			
OXFORD DRIVE INT.																		
175+78.33	176+42.07	LT/RT	ASPHALT - MAIN ROAD	63.74	34.00		2167.16			240.80	21.67	14.45	10.03		11.71			
		RT	ASPHALT - RT RETURN					835.33	92.81		8.35	5.57		3.87		4.51		
PEARL ROAD MAINLINE																		
176+42.07	187+52.89	LT/RT	ASPHALT	1110.82	34.00	37767.88				4196.43	377.68	251.79	174.85		203.99			
187+52.89	189+35.96	LT/RT	ASPHALT	183.07		7787.86				865.32	77.88	51.92	36.05		42.06			
MANHATTAN AVENUE INT.																		
189+35.96	190+14.77	LT/RT	ASPHALT - MAIN ROAD	78.81			4815.04			535.00	48.15	32.10	22.29		26.01			
		RT	ASPHALT - RT RETURN					1322.72	146.97		13.23	8.82		6.12		7.14		
PEARL ROAD MAINLINE																		
190+14.77	195+29.30	LT/RT	ASPHALT	514.53	70.00	36017.10				4001.90	360.17	240.11	166.75		194.54			
CENTER ROAD INT.																		
195+29.30	197+12.24	LT/RT	ASPHALT - MAIN ROAD	182.94			13172.48			1463.61	131.72	87.82	60.98		71.15			
		RT	ASPHALT - RT RETURN					4052.64	450.29		40.53	27.02		18.76		21.89		
		LT	ASPHALT - LT RETURN					5118.68	568.74		51.19	34.12		23.70		27.65		
PEARL ROAD MAINLINE																		
197+12.24	199+76.30	LT/RT	ASPHALT	264.06	70.00	18484.20				2053.80	184.84	123.23	85.57		99.84			
199+76.30	202+41.25	LT/RT	ASPHALT	264.95		13907.32				1545.26	139.07	92.72	64.39		75.12			
202+41.25	219+57.15	LT/RT	ASPHALT	1715.90	34.00	58340.60				6482.29	583.41	388.94	270.10		315.11			
219+57.15	222+42.78	LT/RT	ASPHALT	285.63		12086.72				1342.97	120.87	80.58	55.96		65.28			
HICKORY RIDGE AVENUE INT.																		
222+42.78	223+09.51	LT/RT	ASPHALT - MAIN ROAD	66.73	25.00		3018.13			335.35	30.18	20.12	13.97		16.30			
		LT	ASPHALT - LT RETURN					583.55	64.84		5.84	3.89		2.70		3.15		
PEARL ROAD MAINLINE																		
223+09.51	229+45.06	LT/RT	ASPHALT	635.55	34.00	21608.70				2400.97	216.09	144.06	100.04		116.71			
MINER DRIVE INT.																		
229+45.06	229+92.85	LT/RT	ASPHALT - MAIN ROAD	47.79	34.00		1624.86			180.54	16.25	10.83	7.52		8.78			
		RT	ASPHALT - RT RETURN					680.82	75.65		6.81	4.54		3.15		3.68		
PEARL ROAD MAINLINE																		
229+92.85	232+46.31	LT/RT	ASPHALT	253.46	34.00	8617.64				957.52	86.18	57.45	39.90		46.55			
HOMESTEAD DR./KELLER-HANNA DR. INT.																		
232+46.31	233+39.78	LT/RT	ASPHALT - MAIN ROAD	93.47	34.00		3177.98			353.11	31.78	21.19	14.71		17.17			
		RT	ASPHALT - RT RETURN					708.99	78.78		7.09	4.73		3.28		3.83		
SUBTOTALS THIS SHEET (CARRIED TO SHEET 26)									1479	44341	4124	2750	1848	62	2156	72		

CALCULATED	MMC	CHECKED	JTS
PAVEMENT SUBSUMMARY			
MED-US 42-23.02			
24			
60			

P:\21112 Pearl Road Resurfacing\112568\Design\Roadway\Sheets\112568_GS001.dwg 15-Feb-22 10:14 AM

STATION TO STATION		SIDE	WORK	LENGTH (L)	AVERAGE PAVEMENT WIDTH (W)	MAINLINE SURFACE AREA (A1) *CADD	INTERSECTION MAIN ROAD SURFACE AREA (A2) *CADD	INTERSECTION CURB RETURN SURFACE AREA (A3)	254 PAVEMENT PLANING, ASPHALT CONCRETE, (2 1/2" TO 3 1/4" VARIABLE DEPTH PLANING)	254 PAVEMENT PLANING, ASPHALT CONCRETE, AS PER PLAN (3.25" UNIFORM)	407 TACK COAT, 702.13	407 NON-TRACKING TACK COAT	441 1 1/2" ASPHALT CONCRETE SURFACE COURSE, TYPE 1, (446), PG 70-22M, AS PER PLAN	441 1 1/2" ASPHALT CONCRETE SURFACE COURSE, TYPE 1, (448), PG 64-22, AS PER PLAN	441 1 3/4" ASPHALT CONCRETE INTERMEDIATE COURSE, TYPE 2, (446), AS PER PLAN	441 ASPHALT CONCRETE INTERMEDIATE COURSE, TYPE 1, (448), AS PER PLAN, (1" MIN. TO 1.75" MAX), (PG 64-22)			
FROM	TO			FT	FT	SF LxW	SF LxW	SF CADD	SY A3/9	SY (A1 OR A2)/9	GAL (A1 OR A2 OR A3/9)*0.09	GAL (A1 OR A2 OR A3/9)*0.06	CY *(1.5/12)/27	CY (A3*(1.5/12))/ 27	CY *(A1 OR A2 (1.75/12))/27	CY (A3*(1.75/12)) /27			
		LT	ASPHALT - LT RETURN					717.41	79.71		7.17	4.78		3.32		3.87			
PEARL ROAD MAINLINE																			
233+39.78	236+97.88	LT/RT	ASPHALT	358.10	34.00	12175.40				1352.82	121.75	81.17	56.37		65.76				
KIMMICH DRIVE INT.																			
236+97.88	237+39.79	LT/RT	ASPHALT - MAIN ROAD	41.91	34.00		1424.94			158.33	14.25	9.50	6.60		7.70				
		LT	ASPHALT - LT RETURN					493.16	54.80		4.93	3.29		2.28		2.66			
PEARL ROAD MAINLINE																			
237+39.79	278+40.10	LT/RT	ASPHALT	4100.31	34.00	139410.54				15490.06	1394.11	929.40	645.42		752.99				
GRAFTON ROAD INT.																			
278+40.10	279+84.94	LT/RT	ASPHALT - MAIN ROAD	144.84			5792.09			643.57	57.92	38.61	26.82		31.28				
PEARL ROAD MAINLINE																			
279+84.94	284+53.81	LT/RT	ASPHALT	468.87	34.00	15941.58				1771.29	159.42	106.28	73.80		86.10				
CHESTNUT AVENUE INT.																			
284+53.81	284+98.18	LT/RT	ASPHALT - MAIN ROAD	44.37	34.00		1508.58			167.62	15.09	10.06	6.98		8.15				
		LT	ASPHALT - LT RETURN					432.28	48.03		4.32	2.88		2.00		2.33			
PEARL ROAD MAINLINE																			
284+98.18	287+44.44	LT/RT	ASPHALT	246.26	34.00	8372.84				930.32	83.73	55.82	38.76		45.22				
ELM AVENUE INT.																			
287+44.44	287+83.66	LT/RT	ASPHALT - MAIN ROAD	39.22	34.00		1333.48			148.16	13.33	8.89	6.17		7.20				
		LT	ASPHALT - LT RETURN					529.47	58.83		5.29	3.53		2.45		2.86			
PEARL ROAD MAINLINE																			
287+83.66	293+24.64	LT/RT	ASPHALT	540.98	34.00	18393.32				2043.70	183.93	122.62	85.15		99.35				
SPRUCE AVENUE INT.																			
293+24.64	293+64.89	LT/RT	ASPHALT - MAIN ROAD	40.25	34.00		1368.50			152.06	13.69	9.12	6.34		7.39				
		LT	ASPHALT - LT RETURN					503.73	55.97		5.04	3.36		2.33		2.72			
PEARL ROAD MAINLINE																			
293+64.89	300+71.77	LT/RT	ASPHALT	706.88	34.00	24033.92*				2670.44	240.34	160.23	111.27		129.81				
300+71.77	303+52.70	LT/RT	ASPHALT	280.93		11882.42				1320.27	118.82	79.22	55.01		64.18				
BEVERLY HILLS DRIVE INT.																			
303+52.70	304+89.49	LT/RT	ASPHALT - MAIN ROAD	136.79			6226.87			691.87	62.27	41.51	28.83		33.63				
PEARL ROAD MAINLINE																			
304+89.49	305+55.15	LT/RT	ASPHALT	65.66		2633.18				292.58	26.33	17.55	12.19		14.22				
305+55.15	314+65.07	LT/RT	ASPHALT	909.92	34.00	30937.28*				3437.48	309.37	206.25	143.23		167.10				
314+65.07	315+75.65	LT/RT	ASPHALT	110.58		4411.79				490.20	44.12	29.41	20.42		23.83				
315+75.65	317+30.20	LT/RT	ASPHALT	154.55	44.00	6800.20				755.58	68.00	45.33	31.48		36.73				
SUBTOTALS THIS SHEET (CARRIED TO SHEET 26)									298	32517	2954	1969	1355	13	1581	15			

CALCULATED	MMMC	CHECKED	JTS
PAVEMENT SUBSUMMARY			
MED-US 42-23.02			
25			
60			

P:\21112 Pearl Road Resurfacing\112568\Design\Roadway\Sheets\112568_GS001.dwg 15-Feb-22 10:14 AM

STATION TO STATION		SIDE	WORK	LENGTH (L)	AVERAGE PAVEMENT WIDTH (W)	MAINLINE SURFACE AREA (A1) *CADD	INTERSECTION MAIN ROAD SURFACE AREA (A2) *CADD	INTERSECTION CURB RETURN SURFACE AREA (A3)	254 PAVEMENT PLANING, ASPHALT CONCRETE, (2 1/2" TO 3 1/4" VARIABLE DEPTH PLANING)	254 PAVEMENT PLANING, ASPHALT CONCRETE, AS PER PLAN (3.25" UNIFORM)	407 TACK COAT, 702.13	407 NON-TRACKING TACK COAT	441 1 1/2" ASPHALT CONCRETE SURFACE COURSE, TYPE 1, (446), PG 70-22M, AS PER PLAN	441 1 1/2" ASPHALT CONCRETE SURFACE COURSE, TYPE 1, (448), PG 64-22, AS PER PLAN	441 1 3/4" ASPHALT CONCRETE INTERMEDIATE COURSE, TYPE 2, (446), AS PER PLAN	441 ASPHALT CONCRETE INTERMEDIATE COURSE, TYPE 1, (448), AS PER PLAN, (1" MIN. TO 1.75" MAX), (PG 64-22)		
FROM	TO			FT	FT	SF LxW	SF LxW	SF CADD	SY A3/9	SY (A1 OR A2)/9	GAL (A1 OR A2 OR A3/9)*0.09	GAL (A1 OR A2 OR A3/9)*0.06	CY *(1.5/12))/27	CY (A3*(1.5/12))/ 27	CY (A1 OR A2 *(1.75/12))/27	CY (A3*(1.75/12)) /27		
MAGNOLIA DRIVE INT.																		
317+30.20	318+80.78	LT/RT	ASPHALT - MAIN ROAD	150.58			6689.01			743.22	66.89	44.59	30.97		36.13			
PEARL ROAD MAINLINE																		
318+80.78	319+52.01	LT/RT	ASPHALT	71.23		2759.27				306.59	27.59	18.40	12.77		14.90			
319+52.01	321+22.08	LT/RT	ASPHALT	170.07	34.00	5782.38				642.49	57.82	38.55	26.77		31.23			
321+22.08	323+50.07	LT/RT	ASPHALT	227.99		9768.75				1085.42	97.69	65.13	45.23		52.76			
SKYVIEW DRIVE INT.																		
323+50.07	324+78.30	LT/RT	ASPHALT - MAIN ROAD	128.23			6989.55			776.62	69.90	46.60	32.36		37.75			
PEARL ROAD MAINLINE																		
324+78.30	325+93.60	LT/RT	ASPHALT	115.30		4477.93*				497.55	44.78	29.85	20.73		24.19			
325+93.60	334+73.99	LT/RT	ASPHALT	880.39	34.00	29933.26				3325.92	299.33	199.56	138.58		161.68			
334+73.99	335+48.35	LT/RT	ASPHALT	74.36		6555.10				728.34	65.55	43.70	30.35		35.41			
SUBTOTALS THIS SHEET									0	8107	730	487	338	0	395	0		
SUBTOTALS SHEET 24									1479	44341	4124	2750	1848	62	2156	72		
SUBTOTALS SHEET 25									298	32517	2954	1969	1355	13	1581	15		
TOTALS CARRIED TO GENERAL SUMMARY									1777	84965	7808	5206	3541	75	4132	87		

CALCULATED	MMC		
	CHECKED		
JTS			
PAVEMENT SUBSUMMARY			
MED-US 42-23.02			
<table border="1"> <tr> <td>26</td> </tr> <tr> <td>60</td> </tr> </table>		26	60
26			
60			

P:\21112 Pearl Road Resurfacing\112568_Design\Roadway\Sheets\112568_GS001.dwg 15-Feb-22 10:14 AM

SHEET NO.	REF. NO.	STATION	SIDE	PROPOSED APRON COMPOSITION	EXISTING APRON COMPOSITION	DRIVE TYPE	APRON LENGTH (AL)	APRON WIDTH (AW)	FLARE LENGTH (FL)	WALK WIDTH (WW)	APRON LIMITS (AL3)	APRON AREA (AA)	WALK AREA (WA)	202	203	204	304	452	452
							AW+(2*FL)	$((AL3+AW)*AL)/2 + (AW*AL2)$	WW*AW	PAVEMENT REMOVED	EXCAVATION	SUBGRADE COMPACTION	AGGREGATE BASE, AS PER PLAN	6" NON-REINFORCED CONCRETE PAVEMENT, CLASS OC MS	8" NON-REINFORCED CONCRETE PAVEMENT, CLASS OC MS				
							FT	FT	FT	FT	FT	SQ FT	SQ FT	SY	CY	SY	CY	SY	SY
35	DR-1	134+85	LT	CONCRETE	ASPHALT	COMMERCIAL	3.91	30.00	5.00	5.00	40.00	136.85	150.00	141.76	5.31	31.87	5.31		31.87
36	DR-2	141+14	LT	CONCRETE	ASPHALT/CONCRETE	COMMERCIAL	5.95	82.00	5.00	5.00	92.00	517.87	410.00	103.31	17.18	103.10	17.18		103.10
36	DR-3	142+03	LT	CONCRETE	ASPHALT	COMMERCIAL	5.74	18.00	5.00	5.00	28.00	132.04	90.00	24.07	4.11	24.67	4.11		24.67
36	DR-4	142+64	LT	CONCRETE	CONCRETE	COMMERCIAL	5.85	30.00	5.00	5.00	40.00	204.87	150.00	39.64	6.57	39.43	6.57		39.43
36	DR-5	144+42	LT	CONCRETE	CONCRETE	COMMERCIAL	10.74	40.00	5.00	5.00	50.00	483.44	200.00	257.65	12.66	75.94	12.66		75.94
36	DR-6	146+56	LT	CONCRETE	GRAVEL	COMMERCIAL	11.01	40.00	5.00	5.00	50.00	495.49	200.00	231.69	12.88	77.28	12.88		77.28
38	DR-7	165+94	LT	CONCRETE	ASPHALT/CONCRETE	RESIDENTIAL	6.37	10.00	5.00	5.00	20.00	95.50	50.00	16.24	2.69	16.17	2.69	16.17	
38	DR-8	167+04	LT	CONCRETE	CONCRETE	COMMERCIAL	6.05	40.00	5.00	5.00	50.00	272.41	200.00	138.71	8.75	52.49	8.75		52.49
38	DR-9	167+86	LT	CONCRETE	ASPHALT/CONCRETE	COMMERCIAL	6.45	51.00	5.00	5.00	61.00	361.20	255.00	89.97	11.41	68.47	11.41		68.47
39	DR-10	176+87	LT	CONCRETE	CONCRETE	RESIDENTIAL	3.62	9.84	3.00	3.77	15.84	46.42	37.13	9.42	1.55	9.28	1.55	9.28	
39	DR-11	177+33	LT	CONCRETE	CONCRETE	RESIDENTIAL	3.43	12.04	3.00	3.76	18.04	51.51	45.29	10.86	1.79	10.76	1.79	10.76	
39	DR-12	179+00	RT	CONCRETE	CONCRETE	COMMERCIAL	8.00	27.20	5.00	4.51	37.20	257.48	122.61	44.20	7.04	42.23	7.04		42.23
40	DR-13	187+48	LT	CONCRETE	CONCRETE	COMMERCIAL	7.79	29.31	5.00		39.31	267.44		30.20	4.95	29.72	4.95		29.72
42	DR-14	202+72	LT	CONCRETE	CONCRETE	COMMERCIAL	2.50	54.45	1.75		57.95	140.34		15.22	2.60	15.59	2.60		15.59
42	DR-15	203+34	LT	CONCRETE	CONCRETE	COMMERCIAL	2.24	50.85	5.00		60.85	125.23		14.23	2.32	13.91	2.32		13.91
42	DR-16	204+30	RT	CONCRETE	CONCRETE	COMMERCIAL	8.05	34.49	10.00		54.49	357.93		40.18	6.63	39.77	6.63		39.77
42	DR-17	205+04	RT	CONCRETE	ASPHALT/CONCRETE	COMMERCIAL	8.46	26.24	5.00		36.24	264.26		29.47	4.89	29.36	4.89		29.36
42	DR-18	205+97	RT	CONCRETE	CONCRETE	COMMERCIAL	9.43	26.84	5.00		36.84	300.29		33.66	5.56	33.37	5.56		33.37
43	DR-19	206+63	RT	CONCRETE	CONCRETE	COMMERCIAL	8.51	32.82	5.00		42.82	321.76		35.92	5.96	35.75	5.96		35.75
43	DR-20	206+81	LT	CONCRETE	CONCRETE	COMMERCIAL	2.33	51.80	5.00		61.80	132.61		14.98	2.46	14.73	2.46		14.73
43	DR-21	207+59	LT	CONCRETE	CONCRETE	COMMERCIAL	2.89	42.14	5.00		52.14	136.21		15.32	2.52	15.13	2.52		15.13
43	DR-22	207+64	RT	CONCRETE	CONCRETE	COMMERCIAL	7.98	30.89	5.00		40.89	286.42		32.02	5.30	31.82	5.30		31.82
43	DR-23	209+90	RT	CONCRETE	CONCRETE	COMMERCIAL	7.64	37.70	5.00		47.70	326.21		36.61	6.04	36.25	6.04		36.25
43	DR-24	210+23	LT	CONCRETE	CONCRETE	COMMERCIAL	2.31	42.69	5.00		52.69	110.26		12.50	2.04	12.25	2.04		12.25
43	DR-25	210+64	RT	CONCRETE	CONCRETE	COMMERCIAL	8.98	34.72	5.00		44.72	356.63		39.69	6.60	39.63	6.60		39.63
43	DR-26	210+79	LT	CONCRETE	CONCRETE	COMMERCIAL	6.45	26.50	5.00		36.50	203.13		22.76	3.76	22.57	3.76		22.57
43	DR-27	211+00	RT	CONCRETE	CONCRETE	COMMERCIAL	8.18	20.00	3.38		26.75	191.25		21.27	3.54	21.25	3.54		21.25
43	DR-28	211+98	RT	CONCRETE	CONCRETE	COMMERCIAL	8.05	21.68	5.00		31.68	214.83		23.91	3.98	23.87	3.98		23.87
43	DR-29	212+43	RT	CONCRETE	CONCRETE	COMMERCIAL	8.33	40.00	5.00		50.00	374.94		41.93	6.94	41.66	6.94		41.66
43	DR-30	214+18	RT	CONCRETE	CONCRETE	COMMERCIAL	7.73	25.41	5.00		35.41	235.13		26.40	4.35	26.13	4.35		26.13
44	DR-31	215+82	RT	CONCRETE	CONCRETE	COMMERCIAL	7.93	23.90	5.00		33.90	229.22		25.71	4.24	25.47	4.24		25.47
44	DR-32	216+07	LT	CONCRETE	ASPHALT	COMMERCIAL	2.58	40.00	5.00	4.63	50.00	116.10	185.26	50.73	5.58	33.48	5.58		33.48
44	DR-33	216+82	RT	CONCRETE	CONCRETE	COMMERCIAL	8.06	28.65	5.00		38.65	271.16		30.36	5.02	30.13	5.02		30.13
44	DR-34	216+83	LT	CONCRETE	GRAVEL	RESIDENTIAL	2.66	17.74	5.00	5.00	27.74	60.43	88.70	16.77	2.76	16.57	2.76	16.57	
44	DR-35	217+18	LT	CONCRETE	CONCRETE	COMMERCIAL	10.18	23.96	5.00		33.96	294.78		32.88	5.46	32.75	5.46		32.75
44	DR-36	218+98	LT	CONCRETE	CONCRETE	COMMERCIAL	9.69	30.01	5.00		40.01	339.22		37.87	6.28	37.69	6.28		37.69
44	DR-37	220+28	RT	CONCRETE	CONCRETE	COMMERCIAL	1.05	28.00	5.00	5.00	38.00	34.49	140.00	21.11	3.23	19.39	3.23		19.39
44	DR-38	220+49	LT	CONCRETE	CONCRETE	COMMERCIAL	8.16	29.76	5.00		39.76	283.69		31.74	5.25	31.52	5.25		31.52
44	DR-39	221+16	LT	CONCRETE	CONCRETE	COMMERCIAL	7.88	36.00	10.00		56.00	362.34		63.21	6.71	40.26	6.71		40.26
44	DR-40	224+47	LT	CONCRETE	CONCRETE	COMMERCIAL	5.62	31.86	5.00		41.86	207.08		23.00	3.83	23.01	3.83		23.01
45	DR-41	228+52	RT	CONCRETE	ASPHALT	COMMERCIAL	4.40	22.00	5.00	5.00	32.00	118.79	110.00	25.65	4.24	25.42	4.24		25.42
45	DR-42	230+50	LT	CONCRETE	ASPHALT	COMMERCIAL	3.91	88.00	5.00	5.00	98.00	364.02	440.00	90.65	14.89	89.34	14.89		89.34
46	DR-43	239+71	LT	CONCRETE	CONCRETE	COMMERCIAL	4.54	36.00	5.00	5.00	46.00	186.17	180.00	40.89	6.78	40.69	6.78		40.69
46	DR-44	241+04	LT	CONCRETE	GRAVEL	COMMERCIAL	4.57	40.00	5.00	5.00	50.00	205.75	200.00	69.63	7.51	45.08	7.51		45.08
46	DR-45	242+40	LT	CONCRETE	GRAVEL/CONCRETE	COMMERCIAL	4.73	14.00	5.00	5.00	24.00	89.90	70.00	18.10	2.96	17.77	2.96		17.77
SUBTOTALS THIS SHEET (CARRIED TO SHEET 28)														2173	258	1544	258	53	1491

DRIVE APRON SUBSUMMARY

MED-US 42-23.02

CALCULATED
MMC
CHECKED
JTS

27
60

P:\21112 Pearl Road Resurfacing\112568\Design\Roadway\Sheets\112568_GS001.dwg 15-Feb-22 10:14 AM

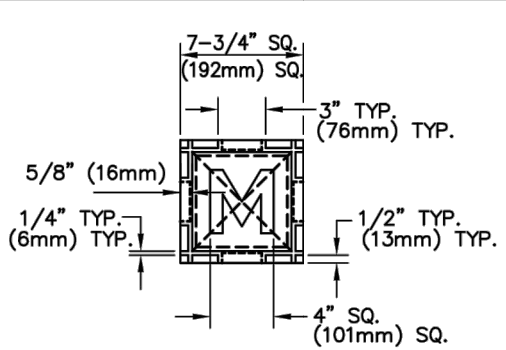
SHEET NO.	REF. NO.	STATION	SIDE	PROPOSED APRON COMPOSITION	EXISTING APRON COMPOSITION	DRIVE TYPE	APRON LENGTH (AL)	APRON WIDTH (AW)	FLARE LENGTH (FL)	WALK WIDTH (WW)	APRON LIMITS (AL3)	APRON AREA (AA)	WALK AREA (WA)	202	203	204	304	452	452						
							FT	FT	FT	FT	FT	FT	SQ FT	SQ FT	SY	CY	SY	CY	SY	SY	SY				
47	DR-46	244+70	LT	CONCRETE	GRAVEL	RESIDENTIAL	4.66	15.00	5.00	5.00	25.00	93.22	75.00	19.01	3.12	18.69	3.12	18.69							
47	DR-47	245+66	LT	CONCRETE	GRAVEL	RESIDENTIAL	4.12	13.00	5.00	5.00	23.00	74.19	65.00	15.64	2.58	15.47	2.58	15.47							
47	DR-48	250+53	LT	CONCRETE	CONCRETE	COMMERCIAL	4.60	24.00	5.00	5.00	34.00	133.27	120.00	28.43	4.69	28.14	4.69		28.14						
47	DR-49	251+07	LT	CONCRETE	CONCRETE	COMMERCIAL	4.59	20.00	5.00	5.00	30.00	114.70	100.00	23.96	3.98	23.86	3.98		23.86						
47	DR-50	251+99	LT	CONCRETE	CONCRETE	COMMERCIAL	4.75	24.00	5.00	5.00	34.00	137.65	120.00	28.69	4.77	28.63	4.77		28.63						
47	DR-51	253+54	LT	CONCRETE	CONCRETE	COMMERCIAL	4.79	14.00	5.00	5.00	24.00	90.97	70.00	17.94	2.98	17.89	2.98		17.89						
48	DR-52	254+67	RT	CONCRETE	ASPHALT/CONCRETE	COMMERCIAL	6.24	28.00	5.00	5.00	38.00	206.08	140.00	38.67	6.41	38.45	6.41		38.45						
48	DR-53	257+80	LT	CONCRETE	ASPHALT/CONCRETE	COMMERCIAL	4.34	40.00	5.00	5.00	50.00	195.21	200.00	46.77	7.32	43.91	7.32		43.91						
48	DR-54	258+49	LT	CONCRETE	ASPHALT	COMMERCIAL	4.27	31.00	5.00	5.00	41.00	153.88	155.00	34.48	5.72	34.32	5.72		34.32						
48	DR-55	259+24	RT	CONCRETE	CONCRETE	COMMERCIAL	5.96	22.00	5.00	5.00	32.00	160.87	110.00	30.44	5.02	30.10	5.02		30.10						
48	DR-56	259+53	LT	CONCRETE	CONCRETE	COMMERCIAL	4.35	40.00	5.00	5.00	50.00	195.79	200.00	91.10	7.33	43.98	7.33		43.98						
48	DR-57	259+77	RT	CONCRETE	CONCRETE	COMMERCIAL	5.99	24.00	5.00	5.00	34.00	173.83	120.00	32.89	5.44	32.65	5.44		32.65						
48	DR-58	260+63	LT	CONCRETE	GRAVEL	RESIDENTIAL	5.77	23.00	5.00	5.00	33.00	161.47	115.00	30.88	5.12	30.72	5.12	30.72							
48	DR-59	261+53	RT	CONCRETE	CONCRETE	COMMERCIAL	6.22	24.00	5.00	5.00	34.00	180.25	120.00	33.62	5.56	33.36	5.56		33.36						
48	DR-60	261+60	LT	CONCRETE	CONCRETE	COMMERCIAL	5.82	23.00	5.00	5.00	33.00	163.07	115.00	31.30	5.15	30.90	5.15		30.90						
48	DR-61	262+18	RT	CONCRETE	CONCRETE	COMMERCIAL	5.94	12.00	5.00	5.00	22.00	101.01	60.00	18.17	2.98	17.89	2.98		17.89						
49	DR-62	269+73	LT	CONCRETE	GRAVEL	RESIDENTIAL	5.85	20.00	5.00	5.00	30.00	146.16	100.00	27.75	4.56	27.35	4.56	27.35							
49	DR-63	271+58	LT	CONCRETE	GRAVEL	RESIDENTIAL	5.86	18.00	5.00	5.00	28.00	134.77	90.00	25.09	4.16	24.97	4.16	24.97							
50	DR-64	272+86	LT	CONCRETE	CONCRETE	COMMERCIAL	6.23	27.00	5.00	5.00	37.00	199.46	135.00	37.41	6.19	37.16	6.19		37.16						
50	DR-65	273+89	LT	CONCRETE	CONCRETE	RESIDENTIAL	6.09	40.00	5.00	5.00	50.00	273.99	200.00	52.78	8.78	52.67	8.78	52.67							
50	DR-66	275+42	LT	CONCRETE	GRAVEL/GRASS	COMMERCIAL	6.00	17.00	5.00	5.00	27.00	131.92	85.00	24.39	4.02	24.10	4.02		24.10						
50	DR-67	276+08	LT	CONCRETE	ASPHALT	COMMERCIAL	6.00	30.00	5.00	5.00	40.00	209.95	150.00	47.80	6.67	39.99	6.67		39.99						
50	DR-68	276+59	LT	CONCRETE	ASPHALT	COMMERCIAL	6.08	37.00	5.00	5.00	47.00	255.53	185.00	57.34	8.16	48.95	8.16		48.95						
50	DR-69	277+49	LT	CONCRETE	CONCRETE	COMMERCIAL	6.09	27.00	5.00	5.00	37.00	194.86	135.00	36.98	6.11	36.65	6.11		36.65						
50	DR-70	280+13	LT	CONCRETE	ASPHALT	COMMERCIAL	6.04	26.00	5.00	5.00	36.00	187.35	130.00	35.49	5.88	35.26	5.88		35.26						
51	DR-71	283+68	LT	CONCRETE	ASPHALT	COMMERCIAL	5.96	40.00	5.00	5.00	50.00	268.37	200.00	78.71	8.67	52.04	8.67		52.04						
51	DR-72	285+91	RT	CONCRETE	CONCRETE	COMMERCIAL	6.38	20.00	5.00	5.00	30.00	159.46	100.00	29.12	4.80	28.83	4.80		28.83						
51	DR-73	286+24	LT	CONCRETE	ASPHALT/CONCRETE	COMMERCIAL	5.31	31.00	5.00	5.00	41.00	191.07	155.00	79.57	6.41	38.45	6.41		38.45						
51	DR-74	288+29	RT	CONCRETE	CONCRETE	COMMERCIAL	6.26	20.00	5.00	5.00	30.00	156.55	100.00	29.00	4.75	28.51	4.75		28.51						
51	DR-75	290+63	LT	CONCRETE	GRAVEL/GRASS	COMMERCIAL	4.60	13.00	5.00	5.00	23.00	82.72	65.00	16.55	2.74	16.41	2.74		16.41						
51	DR-76	292+42	LT	CONCRETE	GRAVEL	COMMERCIAL	4.88	40.00	5.00	5.00	50.00	219.47	200.00	136.17	7.77	46.61	7.77		46.61						
52	DR-77	294+45	LT	CONCRETE	ASPHALT	RESIDENTIAL	5.02	32.00	5.00	5.00	42.00	185.79	160.00	38.54	6.40	38.42	6.40	38.42							
52	DR-78	295+28	RT	CONCRETE	GRAVEL	RESIDENTIAL	4.28	13.00	5.00	5.00	23.00	77.04	65.00	16.04	2.63	15.78	2.63	15.78							
52	DR-79	296+45	RT	CONCRETE	GRAVEL	RESIDENTIAL	4.37	20.00	5.00	5.00	25.00	98.37	100.00	22.13	3.67	22.04	3.67	22.04							
52	DR-80	296+70	RT	CONCRETE	CONCRETE	COMMERCIAL	4.26	29.00	5.00	5.00	34.00	134.31	145.00	31.11	5.17	31.03	5.17		31.03						
52	DR-81	297+47	LT	CONCRETE	GRAVEL	COMMERCIAL	4.97	19.00	5.00	5.00	29.00	119.39	95.00	43.17	3.97	23.82	3.97		23.82						
52	DR-82	297+86	LT	CONCRETE	GRAVEL	COMMERCIAL	4.92	30.00	5.00	5.00	40.00	172.17	150.00	81.58	5.97	35.80	5.97		35.80						
52	DR-83	299+81	LT	CONCRETE	GRAVEL	COMMERCIAL	4.95	40.00	5.00	5.00	50.00	222.70	200.00	47.96	7.83	46.97	7.83		46.97						
56	DR-84	328+09	RT	CONCRETE	ASPHALT	COMMERCIAL	6.49	44.00	5.00	5.00	54.00	317.93	220.00	60.34	9.96	59.77	9.96		59.77						
56	DR-85	329+93	RT	CONCRETE	GRAVEL	COMMERCIAL	6.67	26.00	5.00	5.00	36.00	206.83	130.00	37.55	6.24	37.43	6.24		37.43						
SUBTOTALS THIS SHEET													1615	220	1318	220	247	1072							
SUBTOTALS SHEET 27													2173	258	1544	258	53	1491							
TOTALS CARRIED TO GENERAL SUMMARY													3788	478	2862	478	300	2563							

CALCULATED	MMC
	CHECKED
	JTS

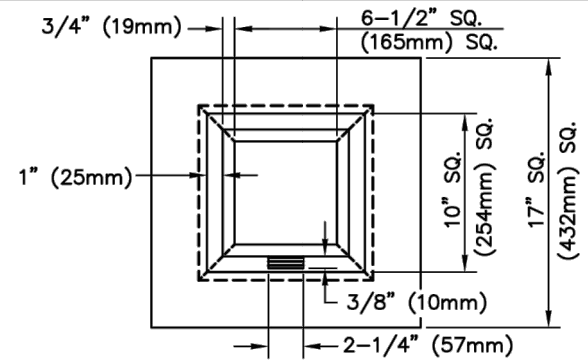
DRIVE APRON SUBSUMMARY

MED-US 42-23.02

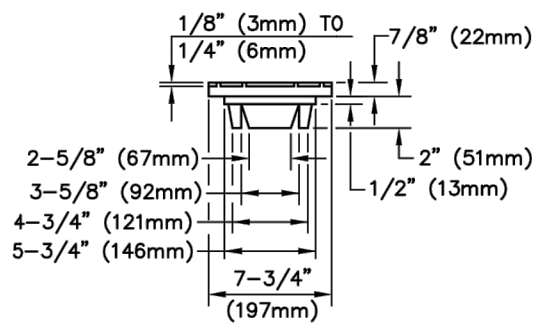
28
60



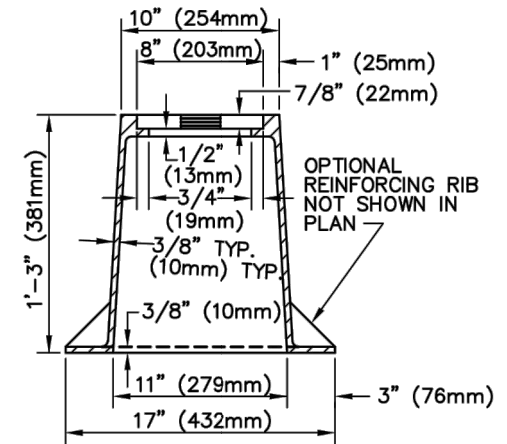
PLAN OF COVER



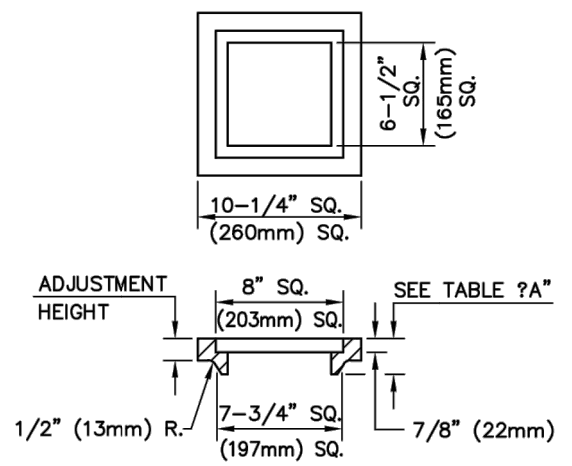
PLAN OF FRAME



SIDE VIEW OF COVER



SECTION OF FRAME



ADJUSTING RING

NOTE: ADJUSTING RING IS TO BE TACK WELDED TO THE FRAME BY AT LEAST TWO (2) POINTS OF AN APPROVED METHOD.

ADJUSTMENT HEIGHT	DIMENSION ?A	MINIMUM WEIGHTS
1-1/8" (29mm)	2" (51mm)	14-LBS. (6.4kg)
1-1/2" (38mm)	2-3/8" (60mm)	20-LBS. (9.1kg)
2-1/2" (64mm)	3-3/8" (86mm)	27-LBS. (12.2kg)
3" (76mm)	3-7/8" (98mm)	30-LBS. (13.6kg)
3-1/2" (89mm)	4-3/8" (111mm)	32-LBS. (14.5kg)

NOTES

CASTINGS SHALL MINIMALLY MEET THE REQUIREMENTS OF 611.02.G - 711.12, A.S.T.M. A 48, AND MINIMALLY BE CLASS 35B GRAY IRON.
THE ASSEMBLY SHALL BE ESSENTIALLY THE SAME AND EQUALLY AS STRONG AS THOSE SHOWN HEREON.
TOTAL MINIMUM WEIGHT = 110 LBS. (50 kg)

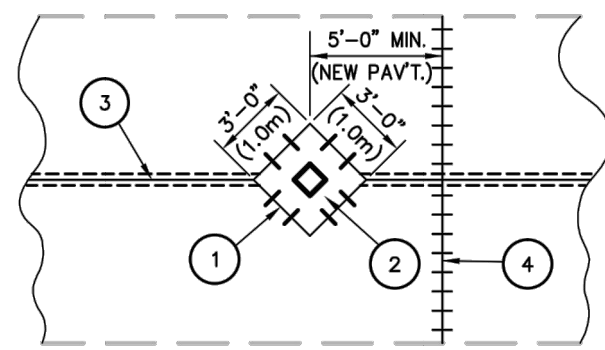
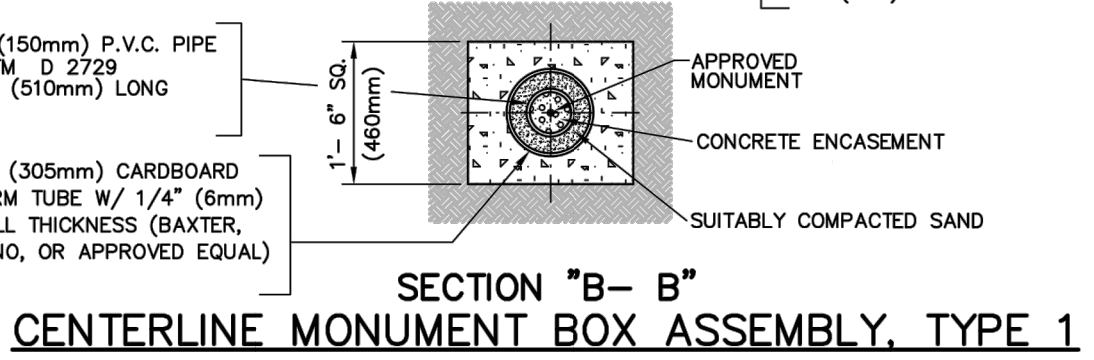
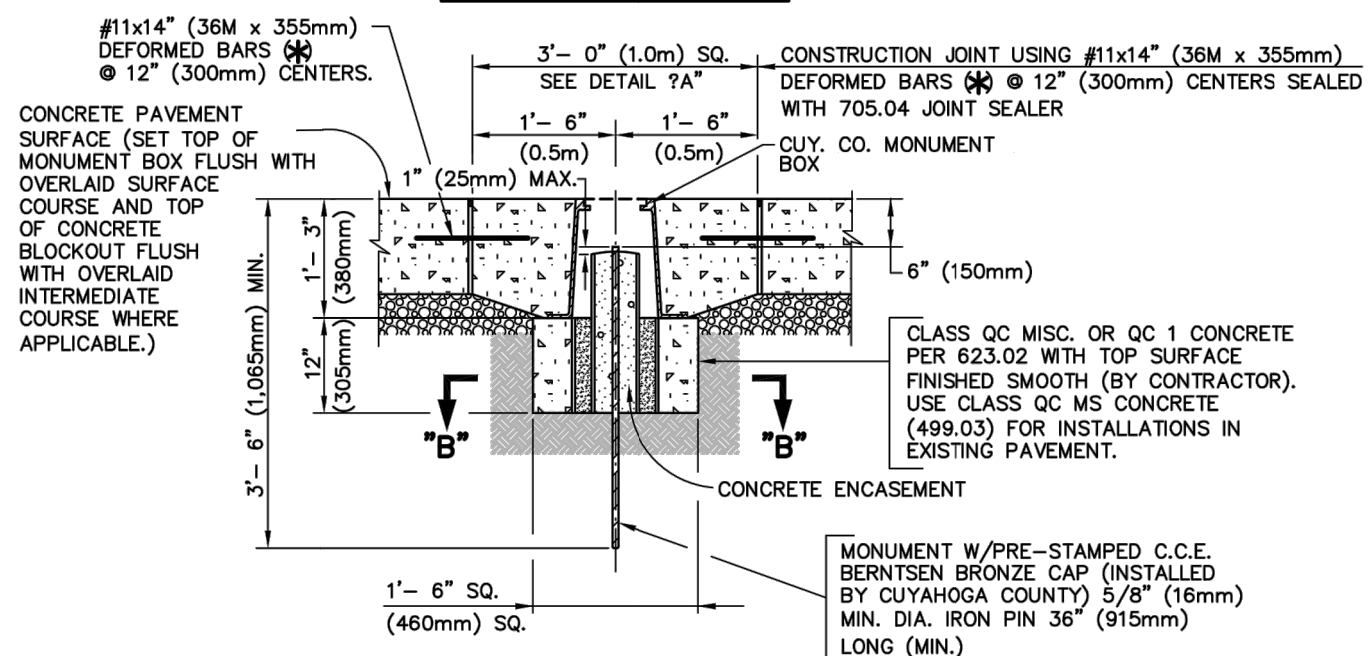
PROVIDED THEY COMPLY WITH THE SPECIFICATIONS, DETAILS, DIMENSIONS AND MINIMUM WEIGHT, NEENAH NO. NF-0000T04 EAST JORDAN NO. 8365 OR APPROVED EQUAL CASTINGS ARE ACCEPTABLE.

BEARING AREAS SHALL BE FINISHED AS TO PROVIDE A FIRM AND EVEN SEAT. NO PROJECTION SHALL EXIST ON THE BEARING AREAS AND THE COVER SHALL SEAT IN ITS FRAME WITHOUT ROCKING.

PRIOR TO CONSTRUCTION OF PAVEMENT, THE FRAME SHALL BE SET TO GRADE IN SUCH A MANNER THAT WILL PREVENT ANY PAVEMENT MATERIAL FROM ENTERING THE CASTING.

ALL MONUMENTS ARE TO BE SET UNDER THE DIRECTION OF A REGISTERED SURVEYOR. (REF. O.A.C. 4733-37-03)

MONUMENT BOX



- ① MONUMENT ASSEMBLY BLOCKOUT: CONSTRUCTION JOINT USING #11x14" (36M x 355mm) DEFORMED BARS @ 12" (300mm) CENTERS SEALED WITH 705.04 JOINT SEALER (BY CONTRACTOR).
- ② MONUMENT BOX (BY CONTRACTOR)
- ③ TYPICAL LONGITUDINAL JOINT
- ④ TYPICAL CONTRACTION JOINT.

DETAIL "A"

TYPICAL BLOCK OUT IN RIGID PAVEMENT. (FOR FULL DEPTH FLEXIBLE PAVEMENT, SET TOP OF CONCRETE BLOCKOUT FLUSH WITH THE PAVED INTERMEDIATE COURSE).

⊗ WHEN CONSTRUCTED IN EXISTING PAVEMENT, USE #9x14" (29M x 355mm) DEFORMED BARS INSTALLED PER BP-2.5C (SECTION - TYPE T).

LEGEND

- CONCRETE, CLASS QC MISC. OR QC 1
- COMPACTED SAND (703.02) MANUFACTURED FROM STONE
- SUBBASE/AGGREGATE BASE PER THE PLANS.
- UNDISTURBED EARTH OR SUITABLE BACKFILL AND FIRM FOUNDATION IN ACCORDANCE WITH 611.05 & 611.06 AND TO THE SATISFACTION OF THE ENGINEER.

CUYAHOGA COUNTY ENGINEER

MONUMENT BOX AND TYPE 1 CENTERLINE MONUMENT BOX ASSEMBLY

CONSTRUCTION DRAWING MB-1C

DATE
12-02-97
12-07-99
10-29-01
08-20-03
08-08-05
10-10-08
06-16-11
10-31-13