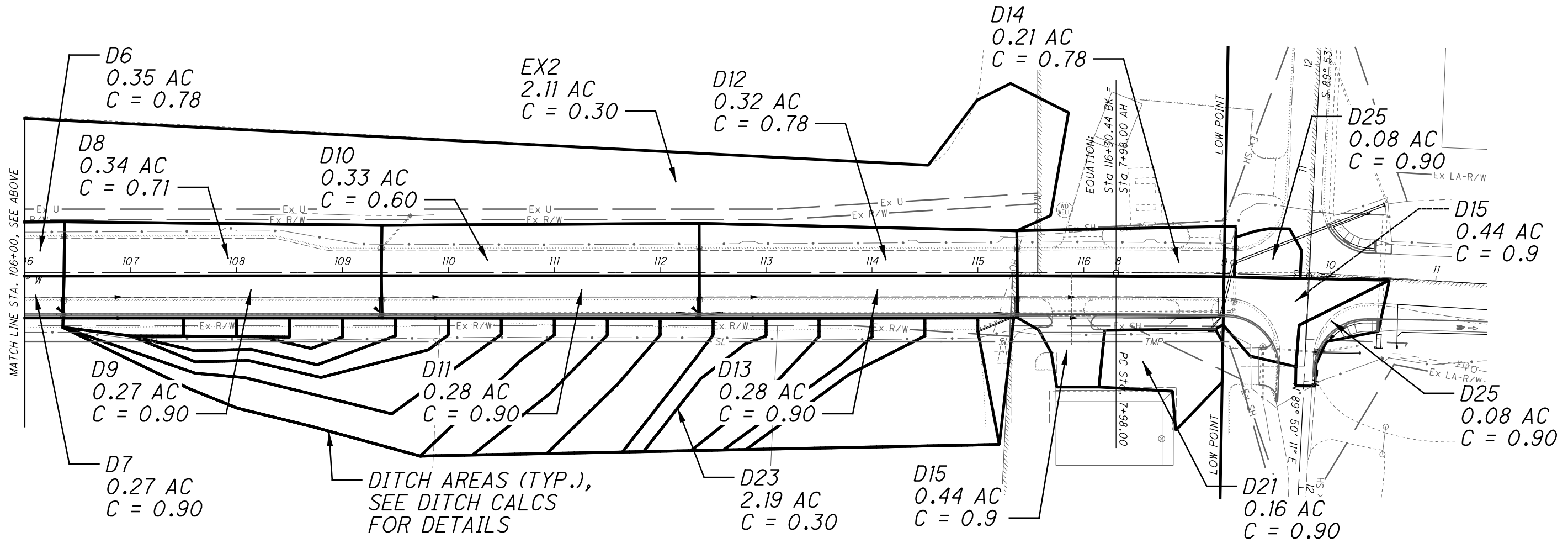
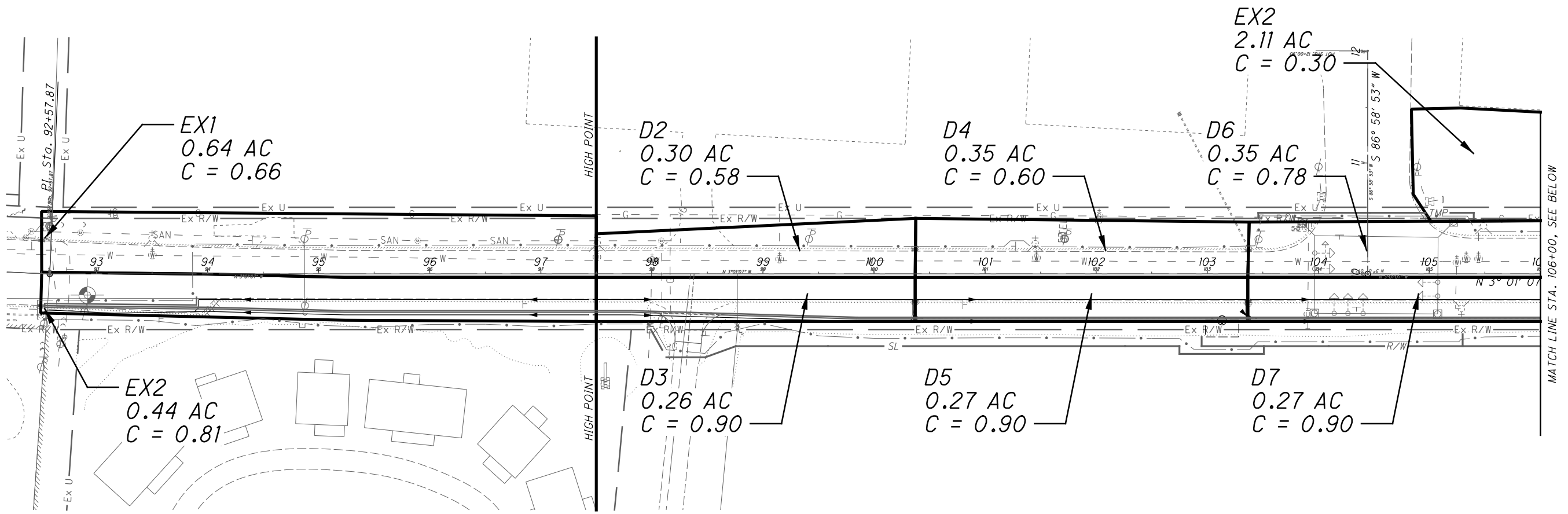


P:\CTC\TR\0001_MIA-CR25A\103159\Design\Roadway\Basemaps\103159_BD001.dgn Sheet 2/21/2020 12:24:50 PM dgphs



STORM SEWER ANALYSIS
DRAINAGE AREAS

MIA-C.R. 25A-3.54