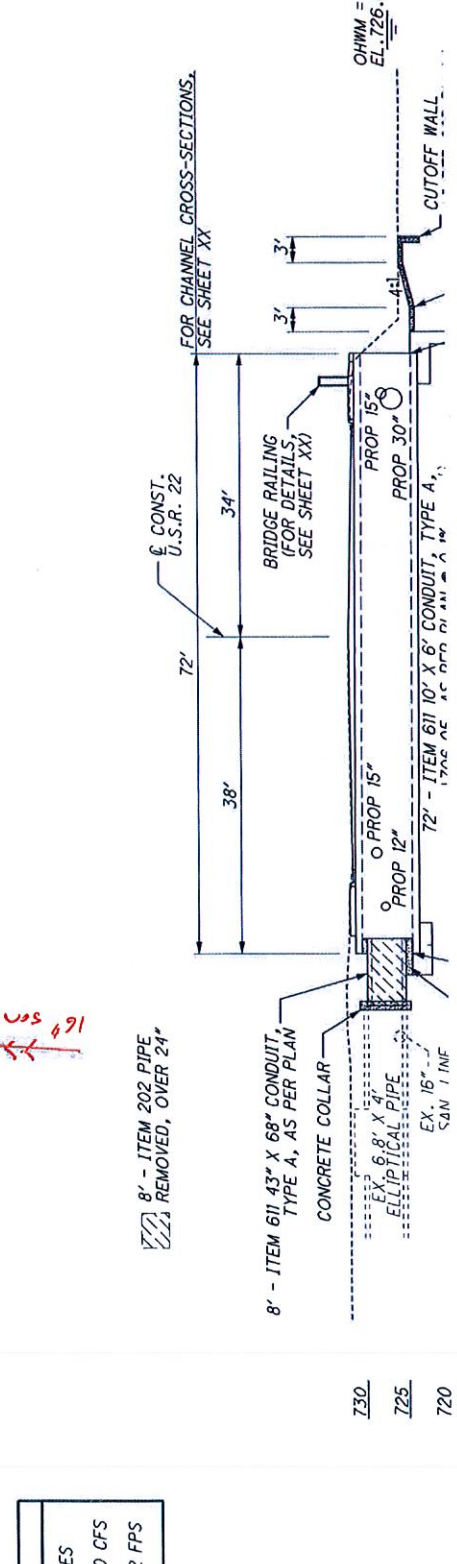


EXISTING STRUCTURE	PROPC
TYPE: SLAB BRIDGE	TYPE: PRECAST BOX CULV
SKEW: 0°	ALIGNMENT: TANGENT
ALIGNMENT: TANGENT	NEW SFN: 6000-
SFN: 6000428	SPAN: 10'
	RISE: 6'
	LENGTH: 72'
	ROADWAY: 4-12'
	1-10' (CURB)
	LOADING: HL-9.3
	SKEW: 4°
	ALIGNMENT: TAI

STORM SEWER 1	STATION	01
HW 100 = 730.86		
HW 25 = 728.94		
OHWM = 726.68		
EL. 726.68		



2ES
0 CFS
2 FPS

730  
725  
720