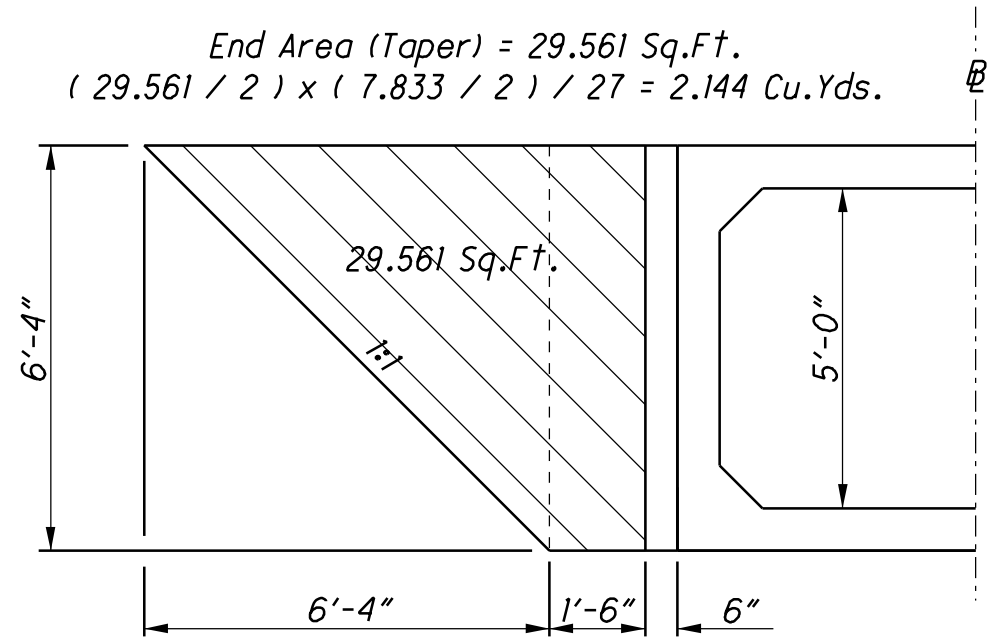


**SECTION A-A**



**SECTION B-B**

**LOW STRENGTH MOTAR BACKFILL SUMMARY**

Total Per Side,  $87.275 + 2.144 \text{ (Taper)} = 90$ , Grand Total =  $90 \times 2 = 180 \text{ Cu.Yds.}$

**LOW STRENGTH MOTAR BACKFILL CALC'S**

PID No. 116041      C.R.S. NOB-146-0.95      CALCULATED BY: CAK      DATE: 3/14/23