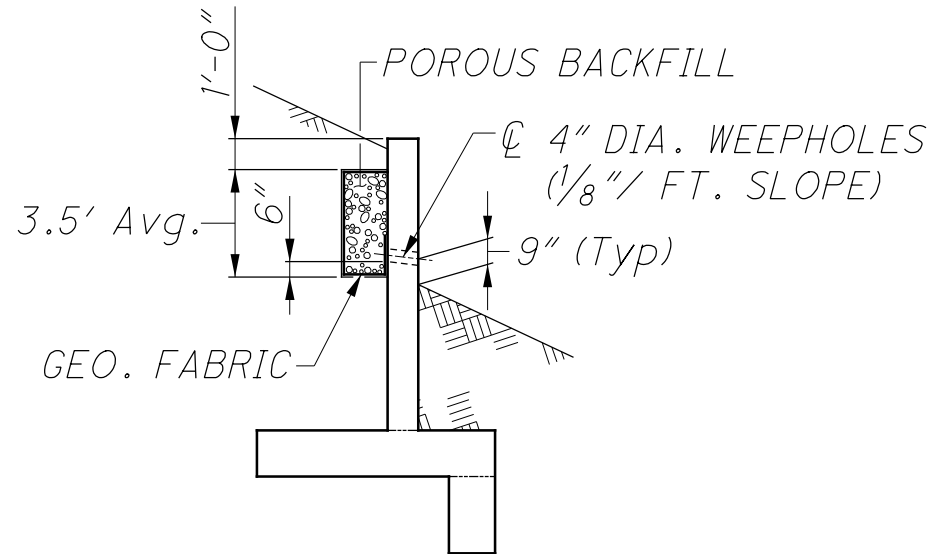


## ***POROUS BACKFILL CALCULATIONS***



*POROUS BACKFILL (Inlet)*

$$(10.083 \text{ Lt.} + 16.533 \text{ Rt.}) \times 3.5 \times 1.5 / 27 = 5.18 \text{ Cu.Yds.}$$

*POROUS BACKFILL (Outlet)*

$$(14.033 \text{ Lt.} + 8.583 \text{ Rt.}) \times 3.5 \times 1.5 / 27 = 4.40 \text{ Cu.Yds.}$$

### **POROUS BACKFILL SUMMARY**

*Total, 5.18 (Inlet) + 4.40 (Outlet) = 9.58 or 10 Cu.Yds.*