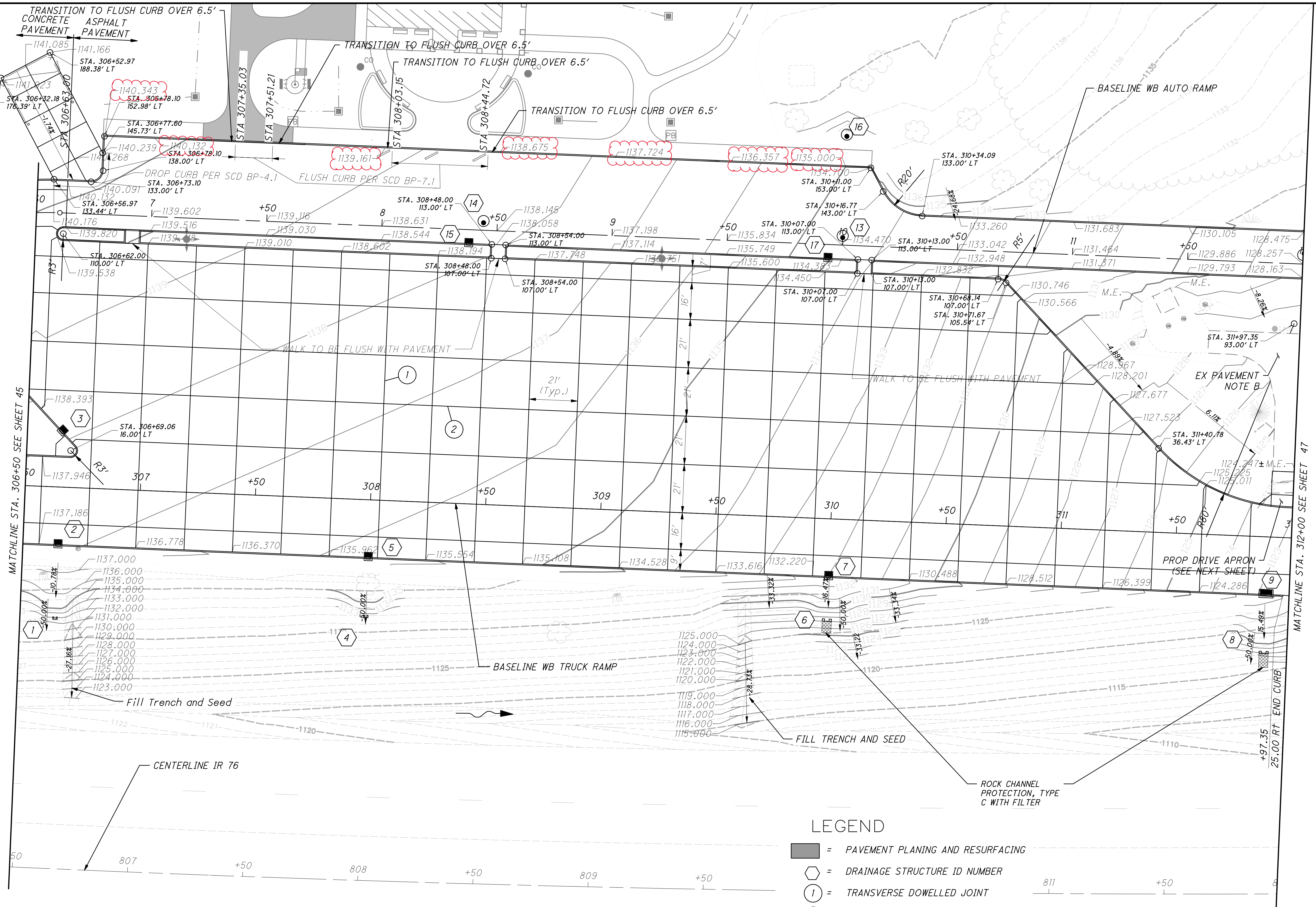


J:\20190025\ODOT\04-10 POR-76 Rest Area (PID 112697)\POR-76 RESTAREA\Design\Roadway\Sheets\112697_XG001.dwg 06-Jan-21 2:24 PM



CALCULATED BS JJC
 CHECKED JJC

0 20 40
 HORIZONTAL SCALE IN FEET

PAVEMENT DETAILS
 (WESTBOUND 2)

POR-76-15.27

- LEGEND**
- = PAVEMENT PLANING AND RESURFACING
 - = DRAINAGE STRUCTURE ID NUMBER
 - = TRANSVERSE DOWELLED JOINT
 - = LONGITUDINAL DOWELLED JOINT
- FOR JOINT DETAILS, SEE SCD BP-2.2
 FOR BASELINE CURVE DATA, SEE SHEET 2

NOTE A: ALL ELEVATIONS AT CURB ARE EDGE OF PAVEMENT ELEVATIONS UNLESS OTHERWISE NOTED.

NOTE B: EX PAVEMENT WITHIN DRIVEWAY TO REMAIN. GRADE SURROUNDING TO EXISTING PAVEMENT EDGE.

NOTE A: ALL ELEVATIONS AT CURB ARE EDGE OF PAVEMENT ELEVATIONS UNLESS OTHERWISE NOTED.

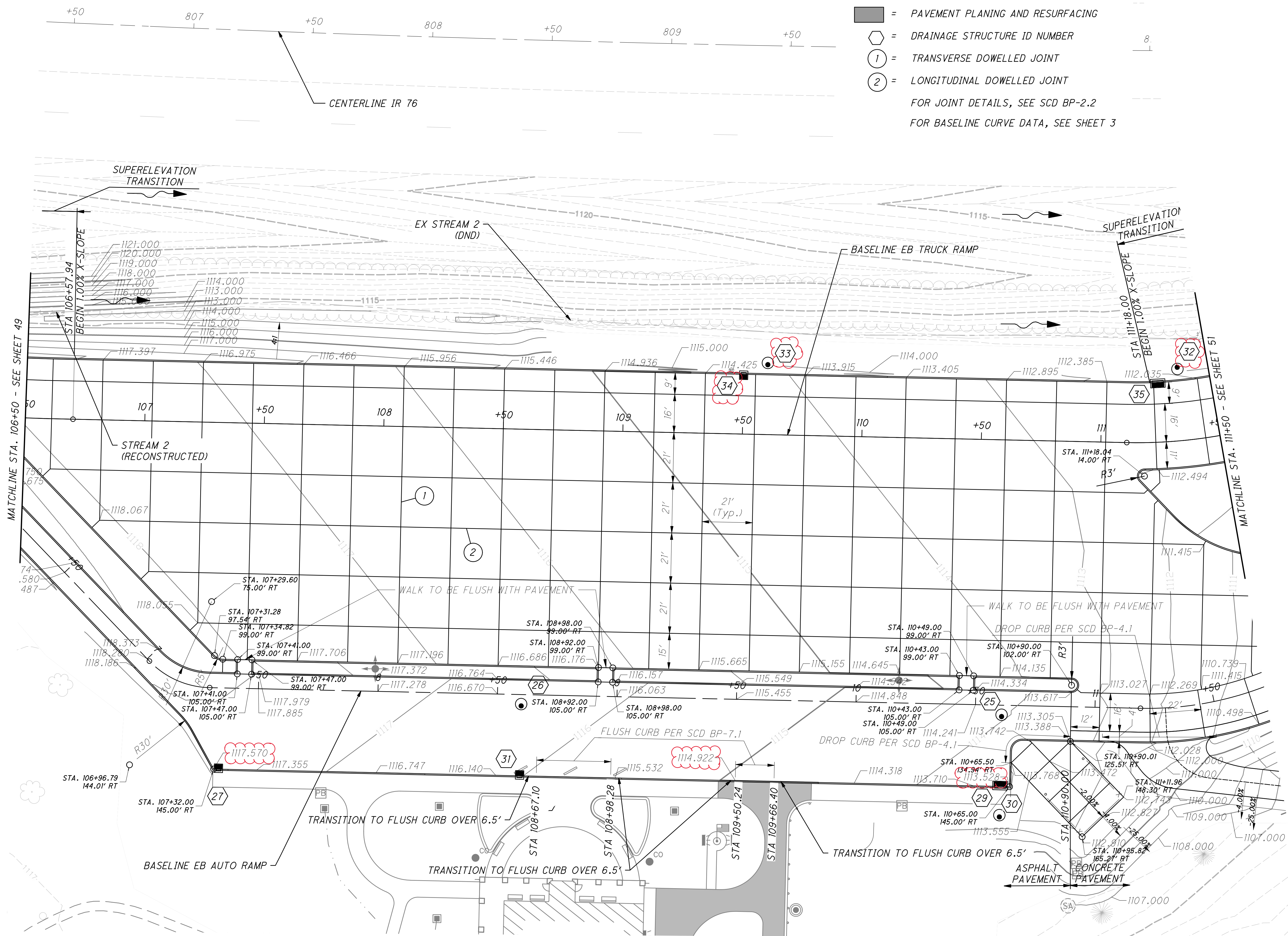
LEGEND

- = PAVEMENT PLANING AND RESURFACING
 - = DRAINAGE STRUCTURE ID NUMBER
 - 1 = TRANSVERSE DOWELLED JOINT
 - 2 = LONGITUDINAL DOWELLED JOINT
- FOR JOINT DETAILS, SEE SCD BP-2.2
FOR BASELINE CURVE DATA, SEE SHEET 3

N

0 10 20 30 40
HORIZONTAL SCALE IN FEET

CALCULATED BS
CHECKED JJC



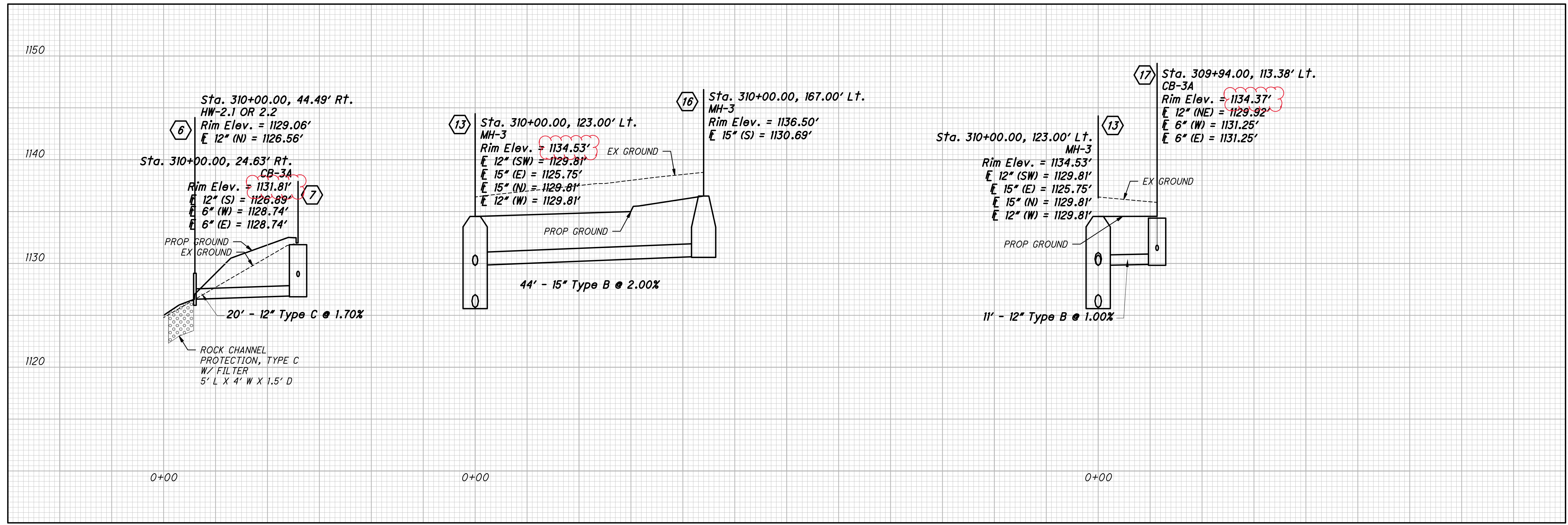
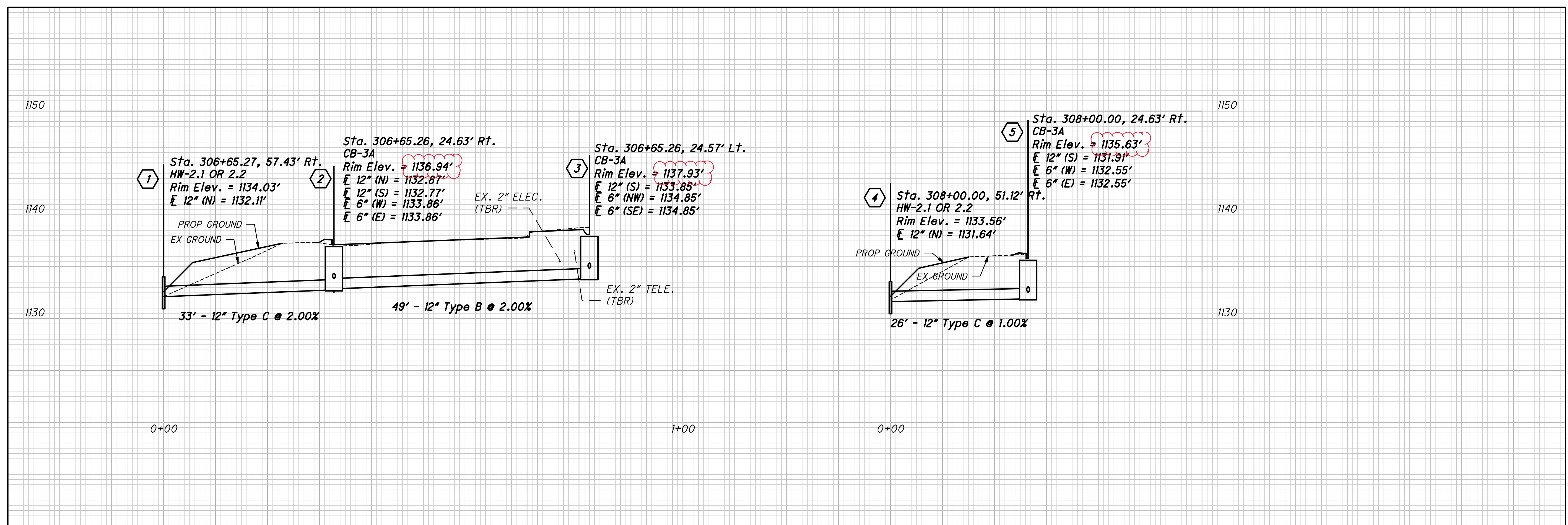
J:\20190025\ODOT\04-10 POR-76 Rest Area (PID 112697)\POR-76 RESTAREA\Design\Roadway\Sheets\112697_XG001.dwg 06-Jan-21 2:24 PM

PAVEMENT DETAILS
(EASTBOUND 2)

POR-76-15.27

50
94

J:\20190025\000T\04-10 POR-76 Rest Area (PID 112697)\POR-76 RESTAREA\Design\Drainage\Sheets\112697_DF001.dwg 06-Jan-21 2:25 PM

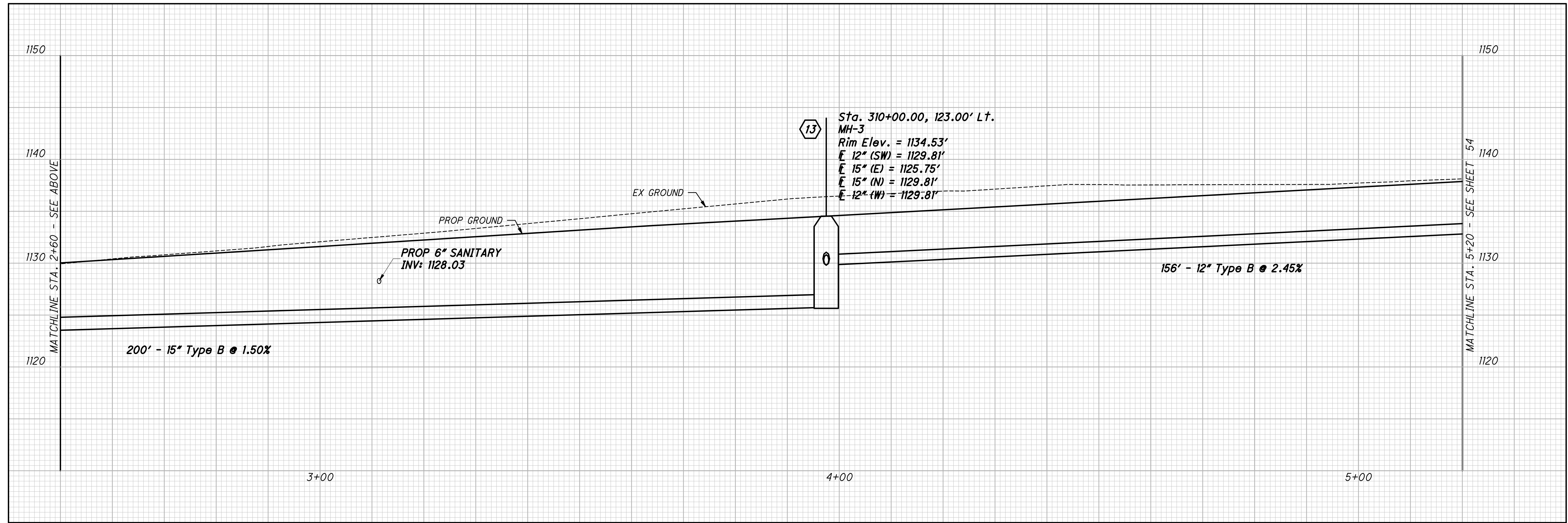
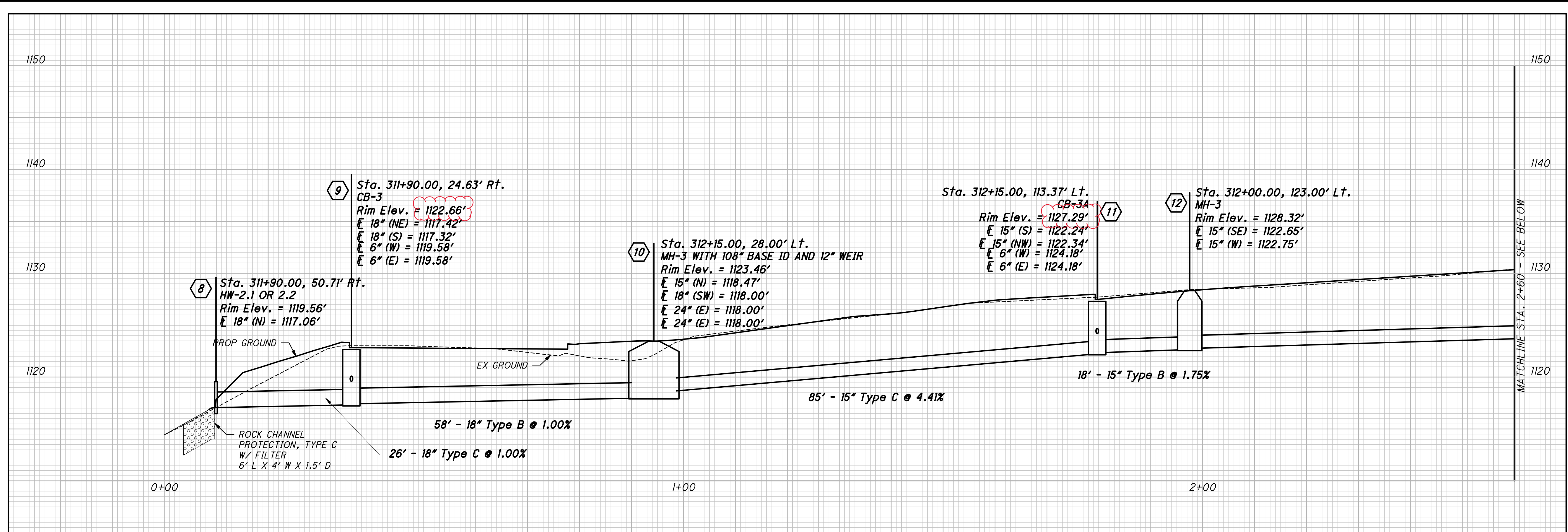


CALCULATED BS
CHECKED JJC

STORM PROFILES
(WESTBOUND 1)

POR-76-15.27

J:\20190025\000T\04-10_POR-76 Rest Area (PID 112697)\POR\112697_POR-76_RESTAREA\Design\Drainage\Sheets\112697_DF001.dwg 06-Jan-21 2:25 PM



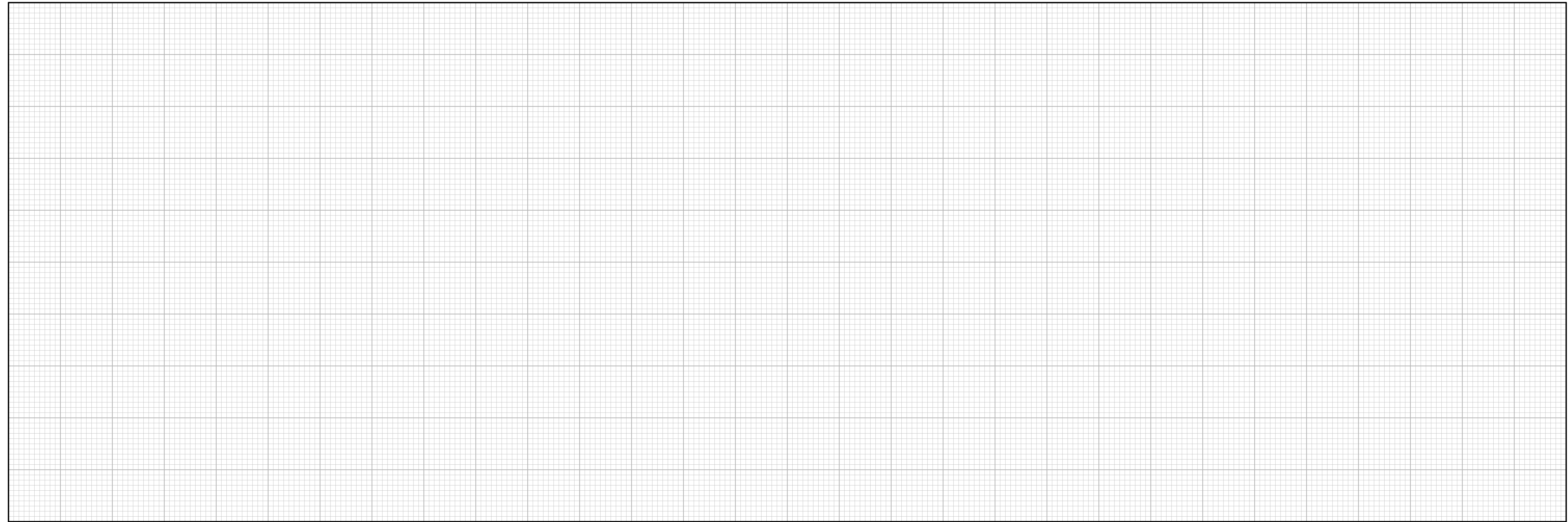
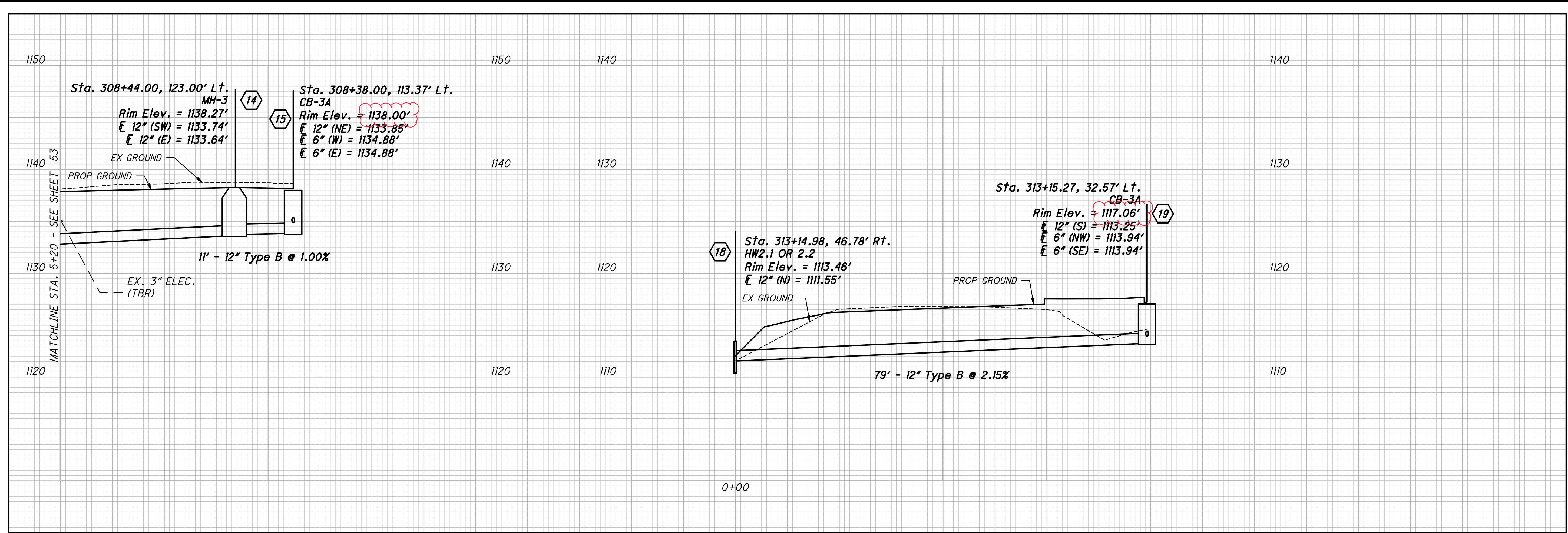
CALCULATED
BS
CHECKED
JJC

STORM PROFILES
(WESTBOUND 2)

POR-76-15.27

53
94

J:\20190025\000T\04-10_POR-76 Rest Area (PID 112697)\POR\112697_POR-76_RESTAREA\Design\Drainage\Sheets\112697_DF001.dwg 06-Jan-21 2:25 PM



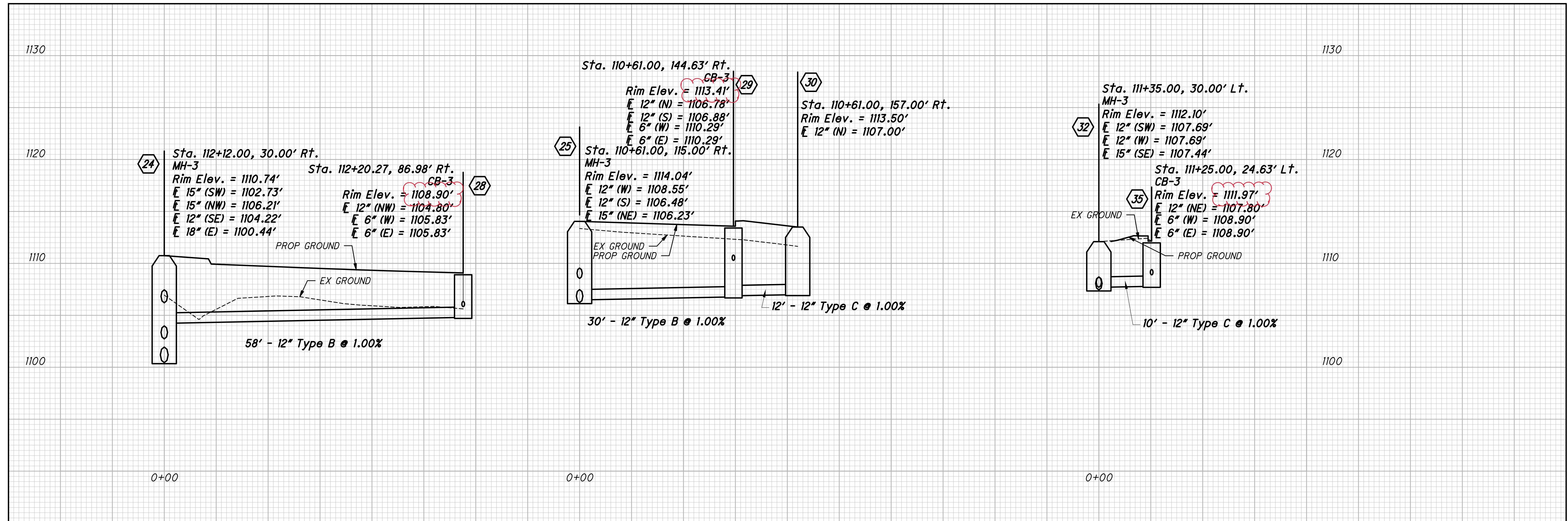
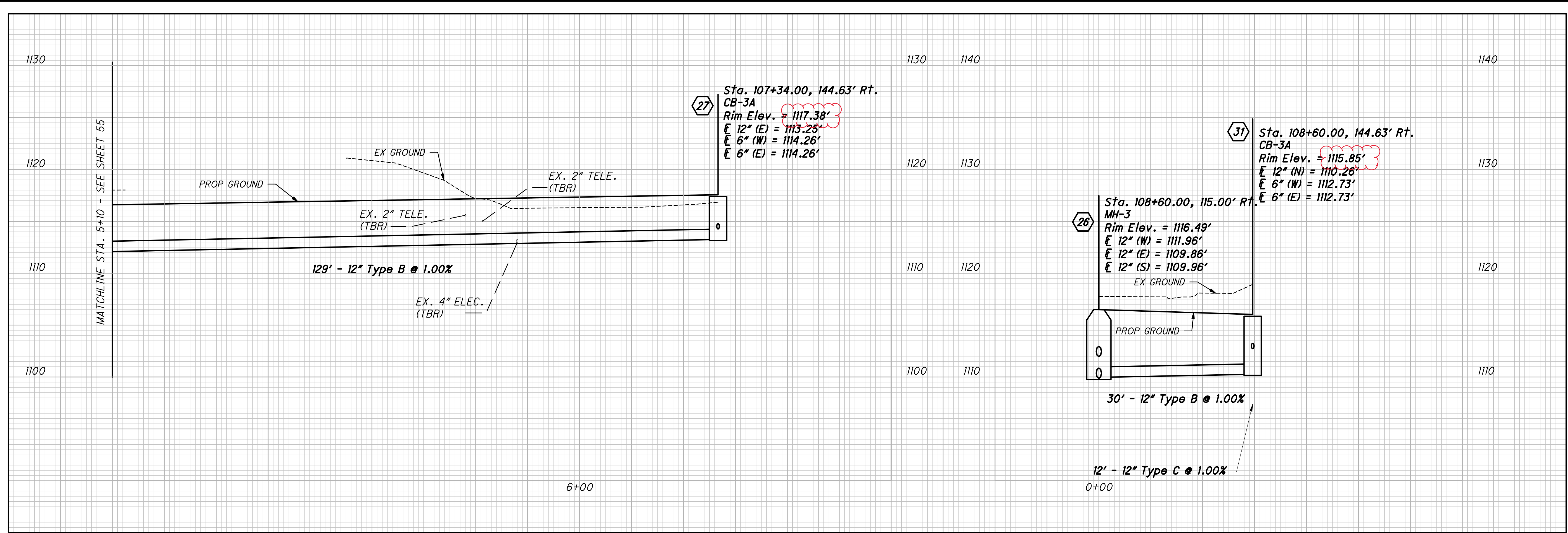
CALCULATED
BS
CHECKED
JJC

STORM PROFILES
(WESTBOUND 3)

POR-76-15.27

54
94

J:\20190025\000T\04-10_POR-76 Rest Area (PID 112697)\POR\112697_POR-76_RESTAREA\Design\Drainage\Sheets\112697_DF001.dwg 06-Jan-21 2:25 PM



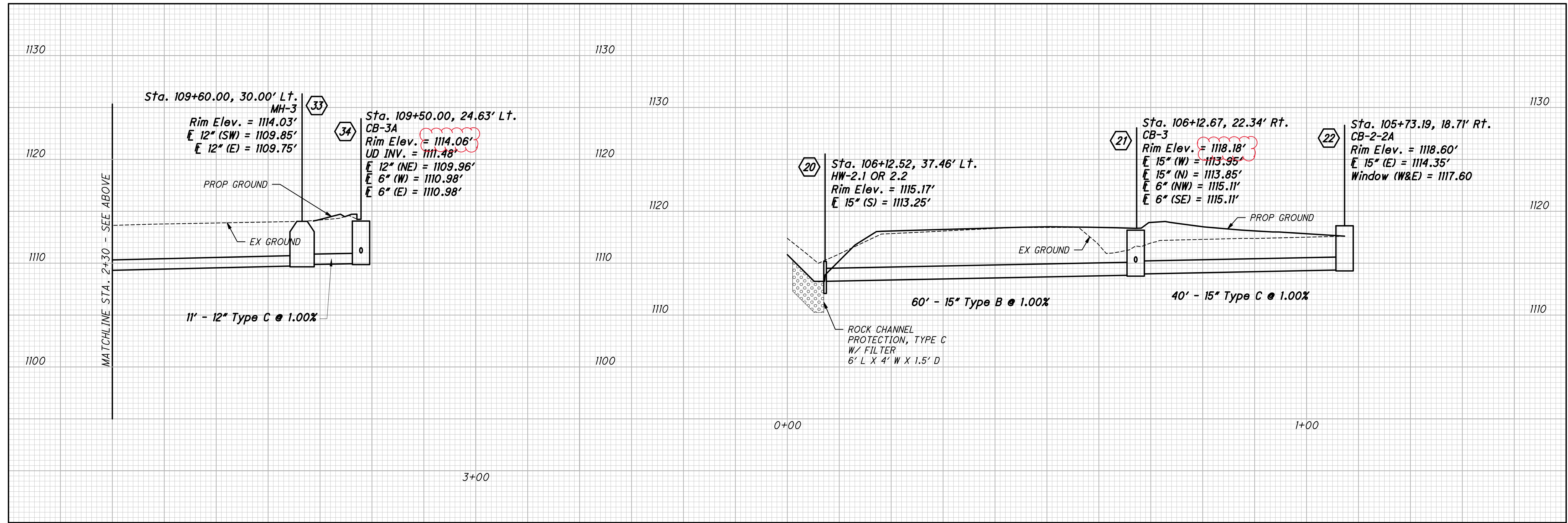
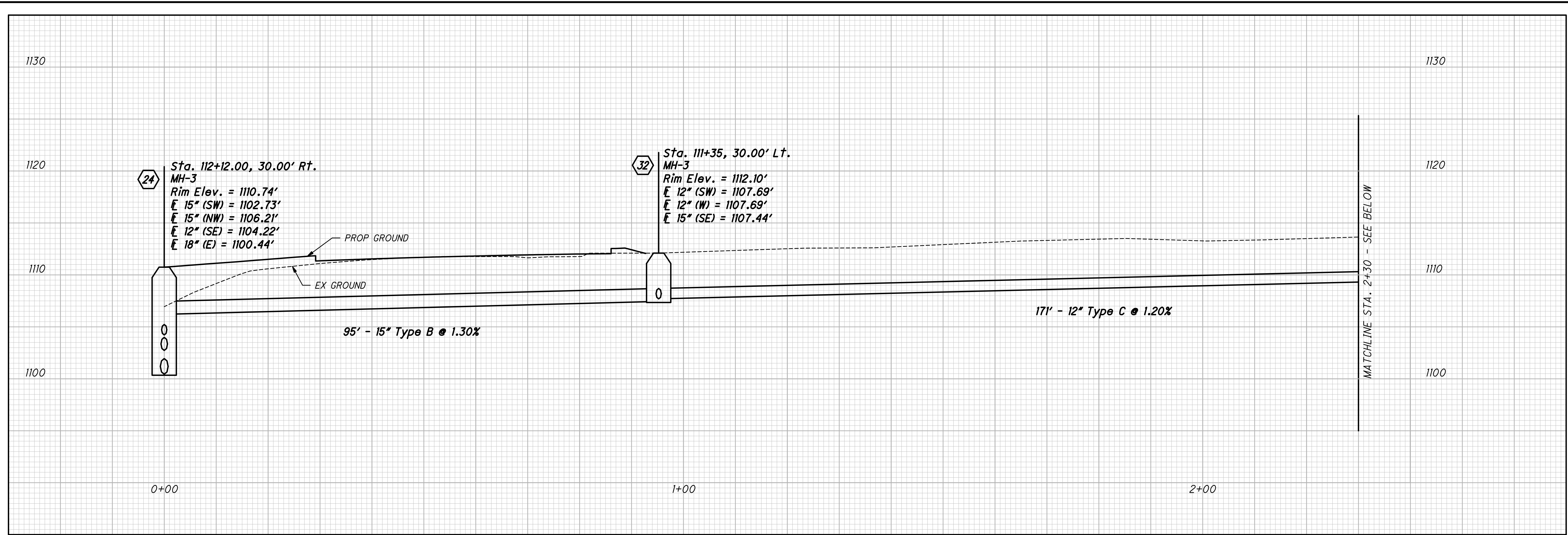
CALCULATED
BS
CHECKED
JJC

STORM PROFILES
(EASTBOUND 2)

POR-76-15.27

56
94

J:\20190025\000T\04-10_POR-76 Rest Area (PID 112697)\POR\112697_POR-76_RESTAREA\Design\Drainage\Sheets\112697_DF001.dwg_06-Jan-21 2:25 PM

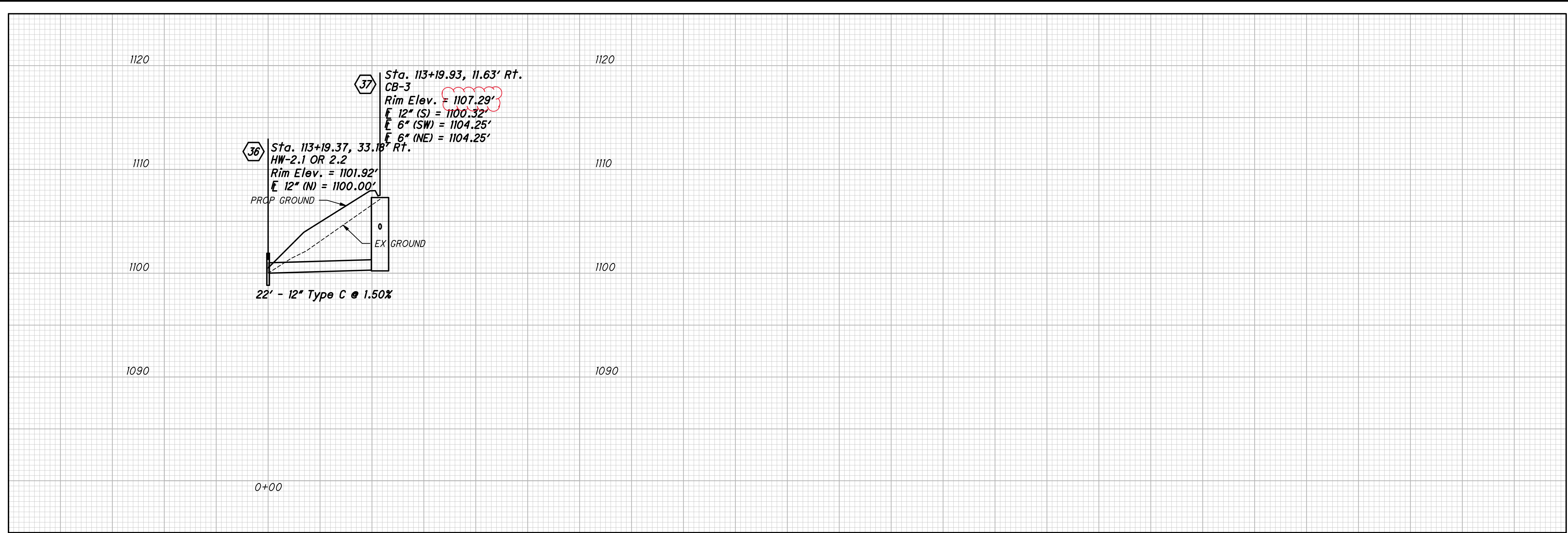


CALCULATED
BS
CHECKED
JJC

STORM PROFILES
(EASTBOUND 3)

POR-76-15.27

57
94



CALCULATED
BS
CHECKED
JJC

STORM PROFILES
(EASTBOUND 4)

POR-76-15.27